

HEAT CONTROLLER, INC.

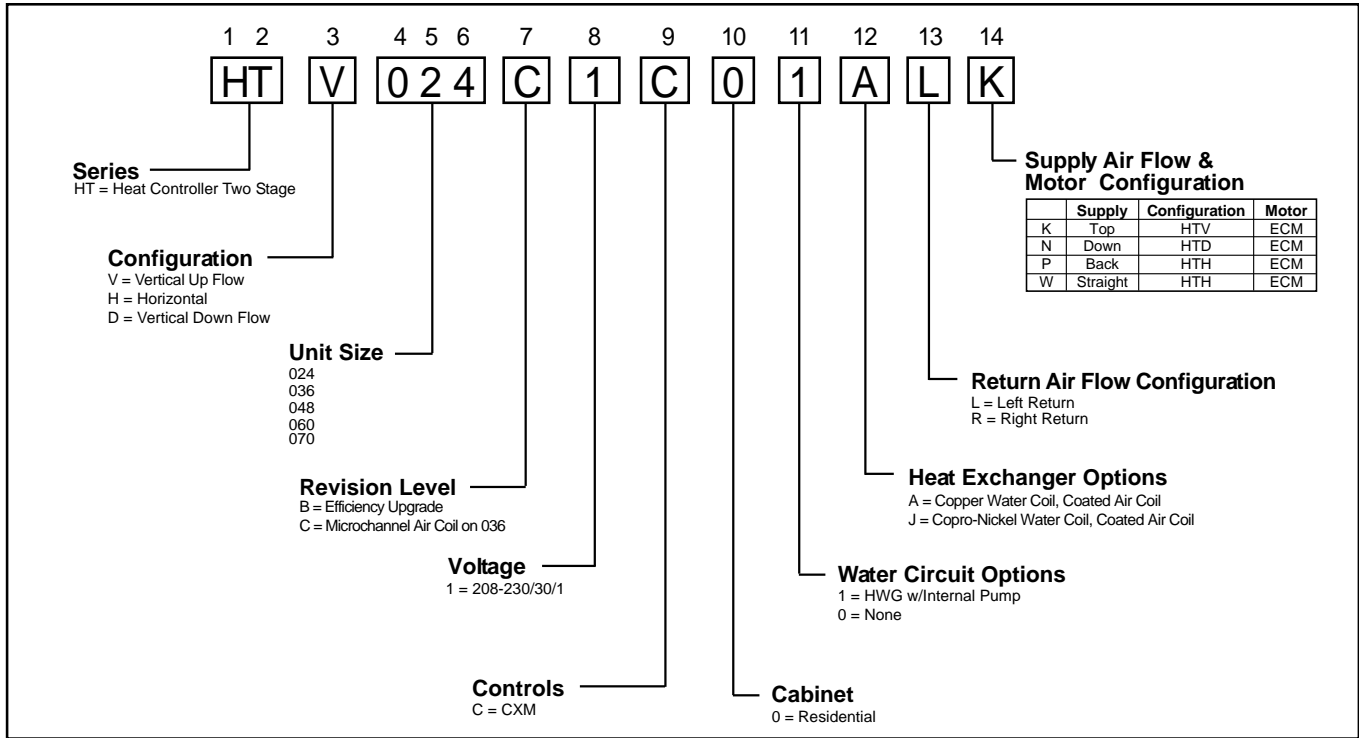
INSTALLATION, OPERATION  
& MAINTENANCE MANUAL

**HTV/HTD/HTH Series  
Two-Stage  
Geothermal Heat Pumps  
2 to 6 Tons**

Heat Controller, Inc. • 1900 Wellworth Ave. • Jackson, MI 49203 • (517)787-2100 • [www.heatcontroller.com](http://www.heatcontroller.com)

# Model Breakdown

## Model Nomenclature – Two Stage Geothermal Heat Pump



### TABLE OF CONTENTS

Model Nomenclature .....	2	Blower Data .....	26
Storage .....	4	CXM Controls .....	27
Pre-Installation.....	4	Safety Features – CXM Control.....	28-30
Horizontal Installation .....	5	Unit Commissioning	
Field Conversion of Air Discharge .....	7	And Operating Conditions .....	31
Duct System Installation.....	8	Unit Start-Up and Operating Conditions.....	32
Condensate Piping Installation .....	8	Unit Start-Up Procedure .....	32
Vertical Installation.....	9-10	Coax Pressure Drop Tables.....	34
Water Connection Installation.....	11	Unit Operating Conditions .....	35-36
Ground Loop Applications .....	11-12	Performance Data .....	37-41
Open Loop - Ground Water Systems .....	13	Preventive Maintenance .....	42
Water Quality Standards .....	15	Troubleshooting.....	43
Hot Water Generator .....	16-18	CXM Process Flow Chart .....	44
Electrical - Line Voltage.....	19-20	Functional & Performance	
Electrical - Low Voltage Wiring.....	21-22	Troubleshooting.....	45-46
Accessory Connections.....	22	Troubleshooting Form .....	47
Electrical - Thermostat Wiring .....	23	Refrigerant Circuit Diagram.....	47
ECM Blower Control.....	24-25	Revision History.....	48

**Safety**

Warnings, cautions and notices appear throughout this manual. Read these items carefully before attempting any installation, service, or troubleshooting of the equipment.

**DANGER:** Indicates an immediate hazardous situation, which if not avoided will result in death or serious injury. DANGER labels on unit access panels must be observed.

**WARNING:** Indicates a potentially hazardous situation, which if not avoided could result in death or serious injury.

**▲ WARNING! ▲**

**WARNING!** To avoid the release of refrigerant into the atmosphere, the refrigerant circuit of this unit must be serviced only by technicians who meet local, state, and federal proficiency requirements.

**CAUTION:** Indicates a potentially hazardous situation or an unsafe practice, which if not avoided could result in minor or moderate injury or product or property damage.

**NOTICE:** Notification of installation, operation or maintenance information, which is important, but which is not hazard-related.

**▲ WARNING! ▲**

**WARNING!** All refrigerant discharged from this unit must be recovered WITHOUT EXCEPTION. Technicians must follow industry accepted guidelines and all local, state, and federal statutes for the recovery and disposal of refrigerants. If a compressor is removed from this unit, refrigerant circuit oil will remain in the compressor. To avoid leakage of compressor oil, refrigerant lines of the compressor must be sealed after it is removed.

**▲ CAUTION! ▲**

**CAUTION!** To avoid equipment damage, DO NOT use these units as a source of heating or cooling during the construction process. The mechanical components and filters will quickly become clogged with construction dirt and debris, which may cause system damage.

## General Information

### Inspection

Upon receipt of the equipment, carefully check the shipment against the bill of lading. Make sure all units have been received. Inspect the packaging of each unit, and inspect each unit for damage. Insure that the carrier makes proper notation of any shortages or damage on all copies of the freight bill and completes a common carrier inspection report. Concealed damage not discovered during unloading must be reported to the carrier within 15 days of receipt of shipment. If not filed within 15 days, the freight company can deny the claim without recourse. Note: It is the responsibility of the purchaser to file all necessary claims with the carrier. Notify your equipment supplier of all damage within fifteen (15) days of shipment.

### Storage

Equipment should be stored in its original packaging in a clean, dry area. Store units in an upright position at all times. Stack units a maximum of 3 units high.

### Unit Protection

Cover units on the job site with either the original packaging or an equivalent protective covering. Cap the open ends of pipes stored on the job site. In areas where painting, plastering, and/or spraying has not been completed, all due precautions must be taken to avoid physical damage to the units and contamination by foreign material. Physical damage and contamination may prevent proper start-up and may result in costly equipment clean-up.

Examine all pipes, fittings, and valves before installing any of the system components. Remove any dirt or debris found in or on these components.

### Pre-Installation

Installation, Operation, and Maintenance instructions are provided with each unit. Horizontal equipment is designed for installation above false ceiling or in a ceiling plenum. Other unit configurations are typically installed in a mechanical room. The installation site chosen should include adequate service clearance around the unit. Before unit start-up, read all manuals and become familiar with the unit and its operation. Thoroughly check the system before operation.

### Prepare units for installation as follows:

1. Compare the electrical data on the unit nameplate with ordering and shipping information to verify that the correct unit has been shipped.
2. Keep the cabinet covered with the original packaging until installation is complete and all plastering, painting, etc. is finished.
3. Verify refrigerant tubing is free of kinks or dents and that it does not touch other unit components.
4. Inspect all electrical connections. Connections must be clean and tight at the terminals.
5. Remove any blower support packaging (water-to-air units only).
6. Loosen compressor bolts on units equipped with compressor grommet vibration isolation until the compressor rides freely on the grommets.

7. Locate and verify any hot water generator (HWG), hanger, or other accessory kit located in the compressor section or blower section.

### ⚠ CAUTION! ⚠

**CAUTION!** DO NOT store or install units in corrosive environments or in locations subject to temperature or humidity extremes (e.g., attics, garages, rooftops, etc.). Corrosive conditions and high temperature or humidity can significantly reduce performance, reliability, and service life. Always move and store units in an upright position. Tilting units on their sides may cause equipment damage.

### ⚠ CAUTION! ⚠

**CAUTION!** CUT HAZARD - Failure to follow this caution may result in personal injury. Sheet metal parts may have sharp edges or burrs. Use care and wear appropriate protective clothing, safety glasses and gloves when handling parts and servicing heat pumps.

## General Information

### Horizontal Unit Location

Units are not designed for outdoor installation. Locate the unit in an INDOOR area that allows enough space for service personnel to perform typical maintenance or repairs without removing unit from the ceiling. Horizontal units are typically installed above a false ceiling or in a ceiling plenum. Never install units in areas subject to freezing or where humidity levels could cause cabinet condensation (such as unconditioned spaces subject to 100% outside air). Consideration should be given to access for easy removal of the filter and access panels. Provide sufficient room to make water, electrical, and duct connection(s).

If the unit is located in a confined space, such as a closet, provisions must be made for return air to freely enter the space by means of a louvered door, etc. Any access panel screws that would be difficult to remove after the unit is installed should be removed prior to setting the unit. Refer to Figure 3 for an illustration of a typical installation. Refer to unit specifications catalog for dimensional data.

Conform to the following guidelines when selecting unit location:

1. Provide a hinged access door in concealed-spline or plaster ceilings. Provide removable ceiling tiles in T-bar or lay-in ceilings. Refer to horizontal unit dimensions for specific series and model in unit specifications catalog. Size the access opening to accommodate the service technician during the removal or replacement of the compressor and the removal or installation of the unit itself.
2. Provide access to hanger brackets, water valves and fittings. Provide screwdriver clearance to access panels, discharge collars and all electrical connections.
3. DO NOT obstruct the space beneath the unit with piping, electrical cables and other items that prohibit future removal of components or the unit itself.
4. Use a manual portable jack/lift to lift and support the weight of the unit during installation and servicing.

The installation of water source heat pump units and all associated components, parts and accessories which make up the installation shall be in accordance with the regulations of ALL authorities having jurisdiction and MUST conform to all applicable codes. It is the responsibility of the installing contractor to determine and comply with ALL applicable codes and regulations.

### Mounting Horizontal Units

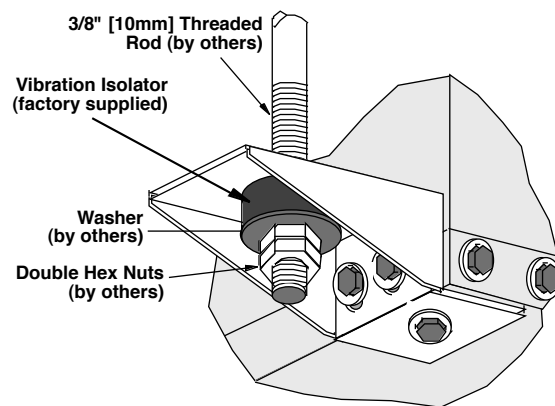
Horizontal units have hanger kits pre-installed from the factory as shown in Figure 1. Figure 3 shows a typical horizontal unit installation.

Horizontal heat pumps are typically suspended above a ceiling or within a soffit using field supplied, threaded rods sized to support the weight of the unit.

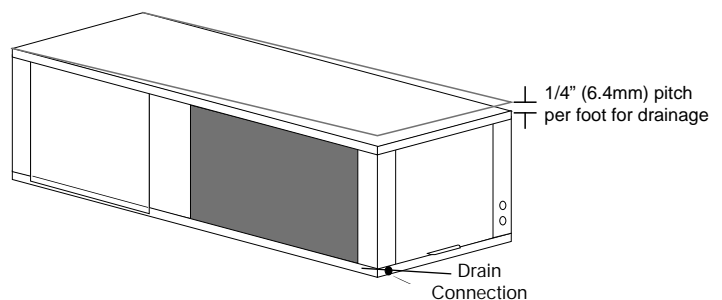
Use four (4) field supplied threaded rods and factory provided vibration isolators to suspend the unit. Hang the unit clear of the floor slab above and support the unit by the mounting bracket assemblies only. DO NOT attach the unit flush with the floor slab above.

Pitch the unit toward the drain as shown in Figure 2 to improve the condensate drainage. On small units (less than 8.8kW) ensure that unit pitch does not cause condensate leaks inside the cabinet.

**Figure 1: Hanger Bracket**

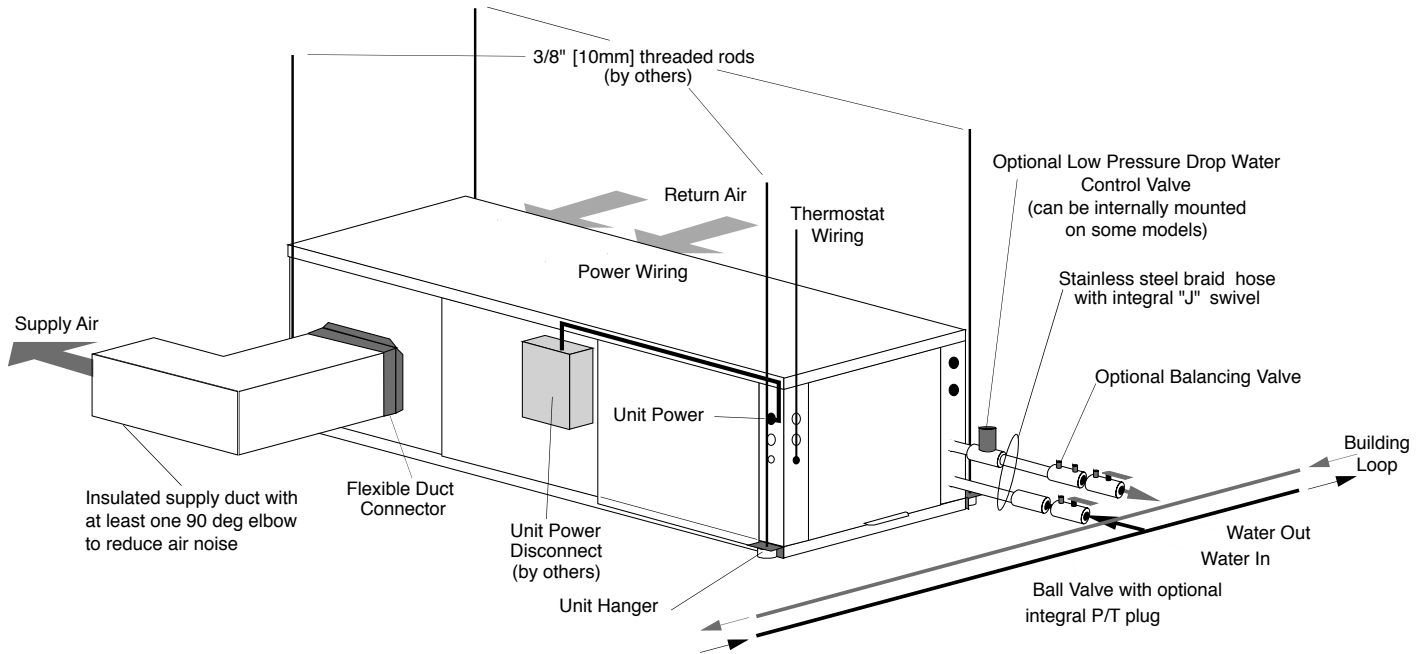


**Figure 2: Horizontal Unit Pitch**



# Horizontal Installation

Figure 3: Typical Horizontal Unit Installation



**Air Coil** - To obtain maximum performance, the air coil should be cleaned before start-up. A 10% solution of dishwasher detergent and water is recommended for both sides of the coil. A thorough water rinse should follow.

# Field Conversion of Air Discharge

**Overview** - Horizontal units can be field converted between side (straight) and back (end) discharge using the instructions below.

**Note:** It is not possible to field convert return air between left or right return models due to the necessity of refrigeration copper piping changes.

**Preparation** - It is best to field convert the unit on the ground before hanging. If the unit is already hung it should be taken down for the field conversion.

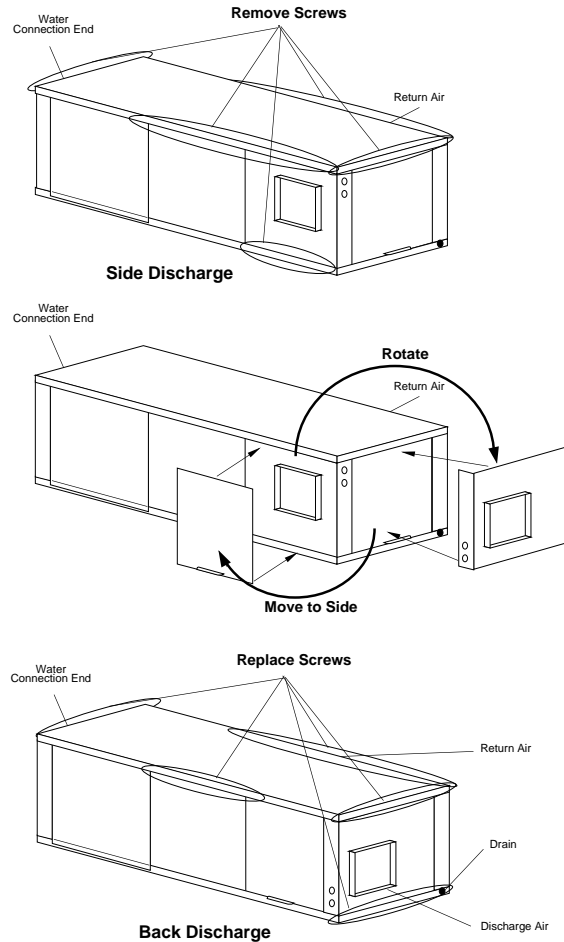
## Side to Back Discharge Conversion

1. Place unit in well lit area. Remove the screws as shown in Figure 4 to free top panel and discharge panel.
2. Lift out the access panel and set aside. Lift and rotate the discharge panel to the other position as shown, being careful with the blower wiring.
3. Check blower wire routing and connections for tension or contact with sheet metal edges. Reroute if necessary.
4. Check refrigerant tubing for contact with other components.
5. Reinstall top panel and screws noting that the location for some screws will have changed.
6. Manually spin the fan wheel to ensure that the wheel is not rubbing or obstructed.
7. Replace access panels.

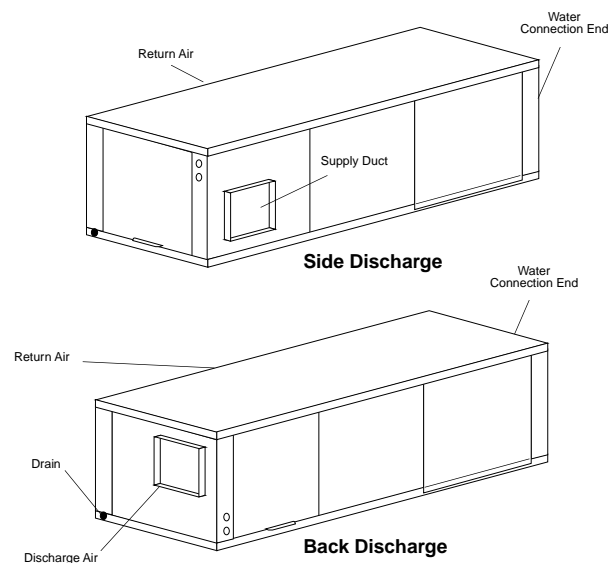
**Back to Side Discharge Conversion** - If the discharge is changed from back to side, use above instruction noting that illustrations will be reversed.

**Left vs. Right Return** - It is not possible to field convert return air between left or right return models due to the necessity of refrigeration copper piping changes. However, the conversion process of side to back or back to side discharge for either right or left return configuration is the same. In some cases, it may be possible to rotate the entire unit 180 degrees if the return air connection needs to be on the opposite side. Note that rotating the unit will move the piping to the other end of the unit.

**Figure 4: Left Return Side to Back**



**Figure 5: Right Return Side to Back**



## Horizontal Installation

### Condensate Piping – Horizontal Units

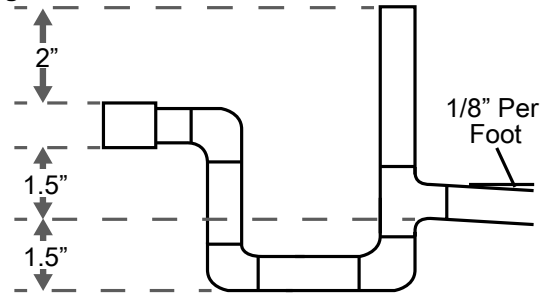
Pitch the unit toward the drain as shown in Figure 2 to improve the condensate drainage. On small units (less than 2.5 tons/8.8 kW), insure that unit pitch does not cause condensate leaks inside the cabinet.

Install condensate trap at each unit with the top of the trap positioned below the unit condensate drain connection as shown in Figure 6. Design the depth of the trap (water-seal) based upon the amount of ESP capability of the blower (where 2 inches [51mm] of ESP capability requires 2 inches [51mm] of trap depth). As a general rule, 1-1/2 inch [38mm] trap depth is the minimum.

Each unit must be installed with its own individual trap and connection to the condensate line (main) or riser. Provide a means to flush or blow out the condensate line. DO NOT install units with a common trap and/or vent.

Always vent the condensate line when dirt or air can collect in the line or a long horizontal drain line is required. Also vent when large units are working against higher external static pressure than other units connected to the same condensate main since this may cause poor drainage for all units on the line. WHEN A VENT IS INSTALLED IN THE DRAIN LINE, IT MUST BE LOCATED AFTER THE TRAP IN THE DIRECTION OF THE CONDENSATE FLOW.

Figure 6: Horizontal Condensate Connection



\* Some units include a painted drain connection. Using a threaded pipe or similar device to clear any excess paint accumulated inside this fitting may ease final drain line installation.

### ▲ CAUTION! ▲

**CAUTION!** Ensure condensate line is pitched toward drain 1/8 inch per ft [11mm per m] of run.

## DUCT SYSTEM INSTALLATION

### Duct System Installation

The duct system should be sized to handle the design airflow quietly. Refer to Figure 3 for horizontal duct system details or figure 8 for vertical duct system details. A flexible connector is recommended for both discharge and return air duct connections on metal duct systems to eliminate the transfer of vibration to the duct system. To maximize sound attenuation of the unit blower, the supply and return plenums should include internal fiberglass duct liner or be constructed from ductboard for the first few feet. Application of the unit to uninsulated ductwork in an unconditioned space is not recommended, as the unit's performance will be adversely affected.

At least one 90° elbow should be included in the supply duct to reduce air noise. If air noise or excessive air flow is a problem, the blower speed can be changed. For airflow charts, consult specifications catalog for the series and model of the specific unit.

If the unit is connected to existing ductwork, a previous check should have been made to insure that the ductwork has the capacity to handle the airflow required for the unit. If ducting is too small, as in the replacement of a heating only system, larger ductwork should be installed. All existing ductwork should be checked for leaks and repaired as necessary.



## Vertical Installation

### Vertical Unit Location

Units are not designed for outdoor installation. Locate the unit in an INDOOR area that allows enough space for service personnel to perform typical maintenance or repairs without removing unit from the mechanical room/closet. Vertical units are typically installed in a mechanical room or closet. Never install units in areas subject to freezing or where humidity levels could cause cabinet condensation (such as unconditioned spaces subject to 100% outside air). Consideration should be given to access for easy removal of the filter and access panels. Provide sufficient room to make water, electrical, and duct connection(s).

If the unit is located in a confined space, such as a closet, provisions must be made for return air to freely enter the space by means of a louvered door, etc. Any access panel screws that would be difficult to remove after the unit is installed should be removed prior to setting the unit. Refer to Figures 7 and 8 for typical installation illustrations. Refer to unit specifications catalog for dimensional data.

1. Install the unit on a piece of rubber, neoprene or other mounting pad material for sound isolation. The pad should be at least 3/8" [10mm] to 1/2" [13mm] in thickness. Extend the pad beyond all four edges of the unit.
2. Provide adequate clearance for filter replacement and drain pan cleaning. Do not block filter access with piping, conduit or other materials. Refer to unit specifications for dimensional data.
3. Provide access for fan and fan motor maintenance and for servicing the compressor and coils without removing the unit.
4. Provide an unobstructed path to the unit within the closet or mechanical room. Space should be sufficient to allow removal of the unit, if necessary.
5. Provide access to water valves and fittings and screwdriver access to the unit side panels, discharge collar and all electrical connections.

Downflow units may be installed directly on the floor. The optional internal electric heat is rated for zero clearance to combustible materials.

The installation of water source heat pump units and all associated components, parts and accessories which make up the installation shall be in accordance with the regulations of ALL authorities having jurisdiction and MUST conform to all applicable codes. It is the responsibility of the installing contractor to determine and comply with ALL applicable codes and regulations.

Figure 7: Vertical Unit Mounting

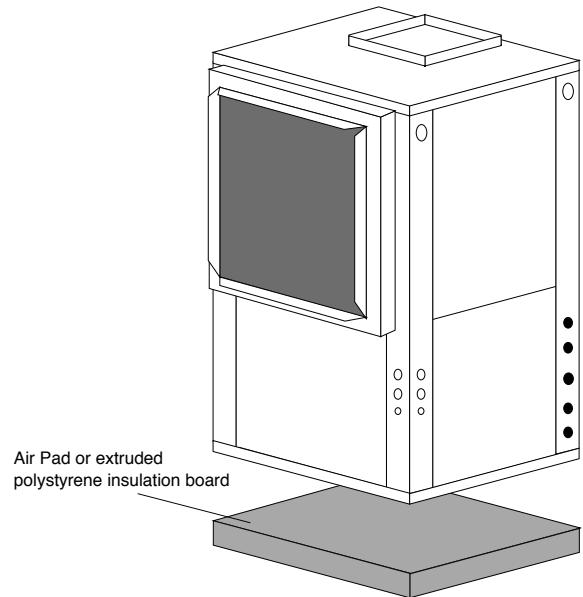
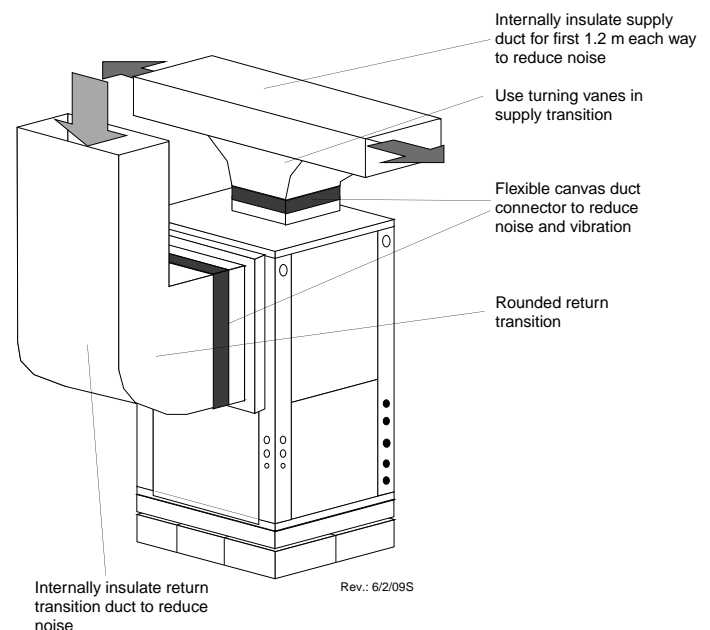


Figure 8: Typical Vertical Unit Installation Using Ducted Return Air

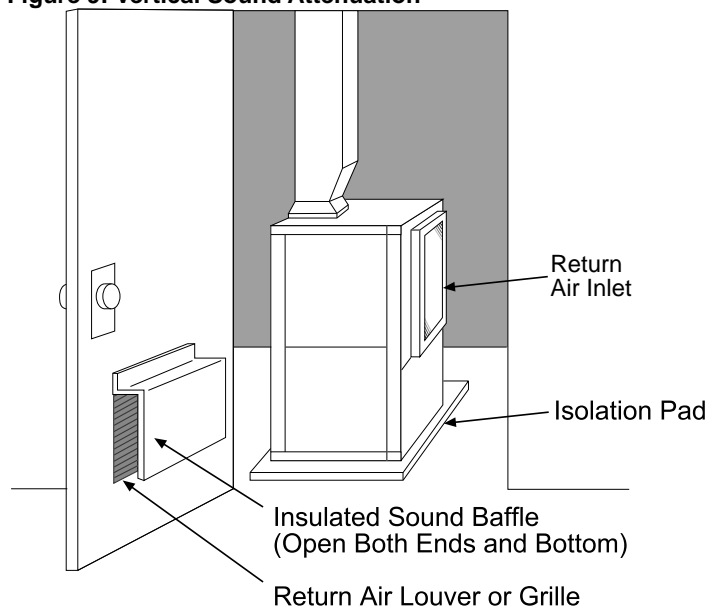


## Vertical Installation

**Sound Attenuation for Vertical Units** - Sound attenuation is achieved by enclosing the unit within a small mechanical room or a closet. Additional measures for sound control include the following:

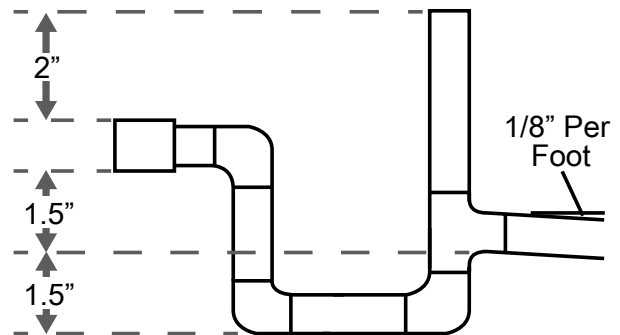
1. Mount the unit so that the return air inlet is 90° to the return air grille. Refer to Figure 9. Install a sound baffle as illustrated to reduce line-of sight sound transmitted through return air grilles.
2. Mount the unit on an Unit Isolation Pad to minimize vibration transmission to the building structure. For more information on Unit Isolation Pads, contact your distributor.

**Figure 9: Vertical Sound Attenuation**



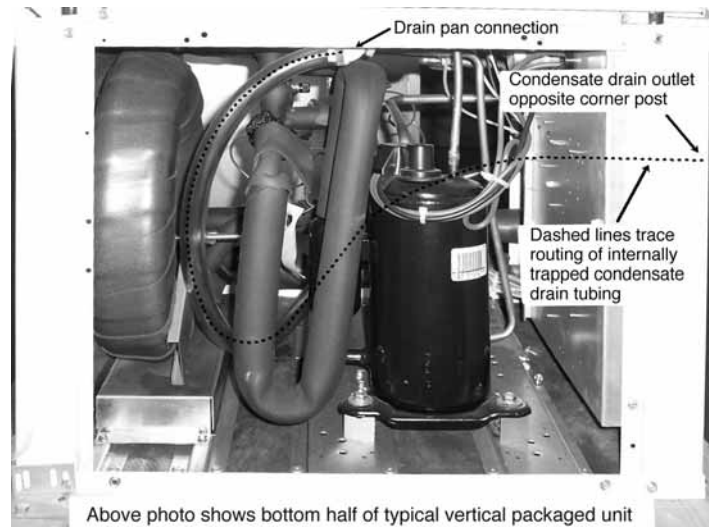
**Condensate Piping for Vertical Units** - Vertical units utilize a condensate hose inside the cabinet as a trapping loop; therefore an external trap is not necessary. Figure 10a shows typical condensate connections. Figure 10b illustrates the internal trap for a typical vertical heat pump. Each unit must be installed with its own individual vent (where necessary) and a means to flush or blow out the condensate drain line. Do not install units with a common trap and/or vent.

**Figure 10a: Vertical Condensate Drain**



\* Some units include a painted drain connection. Using a threaded pipe or similar device to clear any excess paint accumulated inside this fitting may ease final drain line installation.

**Figure 10b: Vertical Internal Condensate Trap**



# Water Connection Installation

## External Flow Controller Mounting

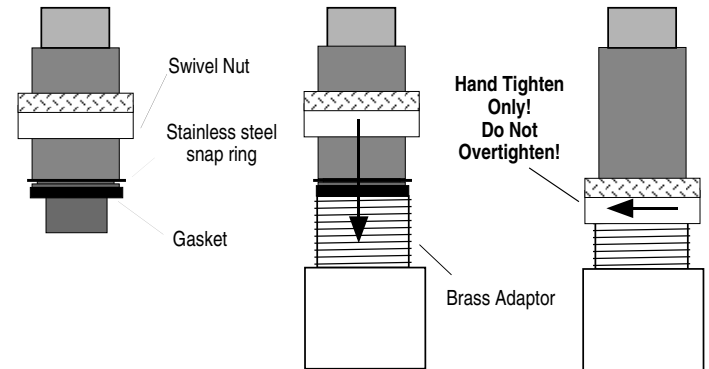
The Flow Controller can be mounted beside the unit as shown in Figure 12. Review the Flow Controller installation manual for more details.

## Water Connections-Residential (Distributor) Models

Residential models utilize swivel piping fittings for water connections that are rated for 450 psi (3101 kPa) operating pressure. The connections have a rubber gasket seal similar to a garden hose gasket, which when mated to the flush end of most 1" threaded male pipe fittings provides a leak-free seal without the need for thread sealing tape or joint compound. Check for burrs and ensure that the rubber seal is in the swivel connector prior to attempting any connection (rubber seals are shipped attached to the swivel connector). **DO NOT OVER TIGHTEN** or leaks may occur.

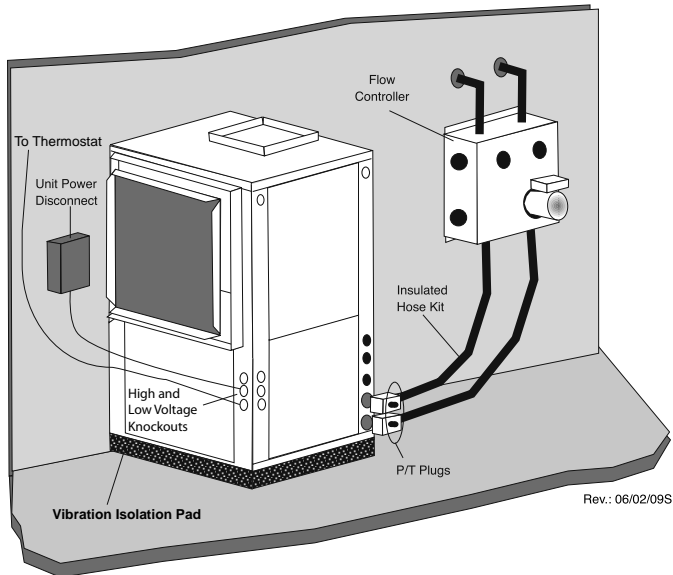
The female locking ring is threaded onto the pipe threads which holds the male pipe end against the rubber gasket, and seals the joint. **HAND TIGHTEN ONLY! DO NOT OVERTIGHTEN!**

Figure 11: Water Connections



## GROUND-LOOP HEAT PUMP APPLICATIONS

Figure 12: Typical Ground-Loop Application



### Pre-Installation

Prior to installation, locate and mark all existing underground utilities, piping, etc. Install loops for new construction before sidewalks, patios, driveways, and other construction has begun. During construction, accurately mark all ground loop piping on the plot plan as an aid in avoiding potential future damage to the installation.

### Piping Installation

The typical closed loop ground source system is shown in Figure 12. All earth loop piping materials should be limited to polyethylene fusion only for in-ground sections of the loop. Galvanized or steel fittings should not be used at any time due to their tendency to corrode. All plastic to metal threaded fittings should be avoided due to their potential to leak in earth coupled applications. A flanged fitting should be substituted. P/T plugs should be used so that flow can be measured using the pressure drop of the unit heat exchanger.

Earth loop temperatures can range between 25 and 110°F [-4 to 43°C]. Flow rates between 2.25 and 3 gpm per ton [2.41 to 3.23 l/m per kW] of cooling capacity is recommended in these applications.

Test individual horizontal loop circuits before backfilling. Test vertical U-bends and pond loop assemblies prior to installation. Pressures of at least 100 psi [689 kPa] should be used when testing. Do not exceed the pipe pressure rating. Test entire system when all loops are assembled.

### Flushing the Earth Loop

Once piping is completed between the unit, Flow Controller and the ground loop (Figure 12), the loop is ready for final purging and charging. A flush cart with at least a 1.5 hp [1.1 kW] pump is required to achieve enough fluid velocity in the loop piping system to purge air and dirt particles. An antifreeze solution is used in

## ⚠ CAUTION! ⚠

**CAUTION!** The following instructions represent industry accepted installation practices for closed loop earth coupled heat pump systems. Instructions are provided to assist the contractor in installing trouble free ground loops. These instructions are recommendations only. State/provincial and local codes **MUST** be followed and installation **MUST** conform to **ALL** applicable codes. It is the responsibility of the installing contractor to determine and comply with **ALL** applicable codes and regulations.

# Ground-Loop Heat Pump Applications

most areas to prevent freezing. All air and debris must be removed from the earth loop piping before operation. Flush the loop with a high volume of water at a minimum velocity of 2 fps (0.6 m/s) in all piping. The steps below must be followed for proper flushing.

1. Fill loop with water from a garden hose through the flush cart before using the flush cart pump to insure an even fill.
2. Once full, the flushing process can begin. Do not allow the water level in the flush cart tank to drop below the pump inlet line to avoid air being pumped back out to the earth loop.
3. Try to maintain a fluid level in the tank above the return tee so that air cannot be continuously mixed back into the fluid. Surges of 50 psi (345 kPa) can be used to help purge air pockets by simply shutting off the return valve going into the flush cart reservoir. This "dead heads" the pump to 50 psi (345 kPa). To purge, dead head the pump until maximum pumping pressure is reached. Open the return valve and a pressure surge will be sent through the loop to help purge air pockets from the piping system.
4. Notice the drop in fluid level in the flush cart tank when the return valve is shut off. If air is adequately purged from the system, the level will drop only 1-2 inches (2.5 - 5 cm) in a 10" (25 cm) diameter PVC flush tank (about a half gallon [2.3 liters]), since liquids are incompressible. If the level drops more than this, flushing should continue since air is still being compressed in the loop fluid. Perform the "dead head" procedure a number of times. **Note: This fluid level drop is your only indication of air in the loop.**

Antifreeze may be added before, during or after the flushing procedure. However, depending upon which time is chosen, antifreeze could be wasted when emptying the flush cart tank. See antifreeze section for more details.

Loop static pressure will fluctuate with the seasons. Pressures will be higher in the winter months than during the cooling season. This fluctuation is normal and should be considered when charging the system initially. Run the unit in either heating or cooling for a number of minutes to condition the loop to a homogenous temperature. This is a good time for tool cleanup, piping insulation, etc. Then, perform final flush and pressurize the loop to a static pressure of 50-75 psi [345-517 kPa] (winter) or 35-40 psi [241-276 kPa] (summer). After pressurization, be sure to loosen the plug at the end of the Grundfos loop pump motor(s) to allow trapped air to be discharged and to insure the motor housing has been flooded. This is not required for Taco circulators. Insure that the Flow Controller provides adequate flow through the unit by checking pressure drop across the heat exchanger and compare to the pressure drop tables at the back of the manual.

## Antifreeze

In areas where minimum entering loop temperatures drop below 40°F [5°C] or where piping will be routed through areas subject to freezing, antifreeze is required. Alcohols and glycols are commonly used as antifreeze; however your local sales manager should be consulted for the antifreeze best suited to your area.

Low temperature protection should be maintained to 15°F [9°C] below the lowest expected entering loop temperature. For example, if 30°F [-1°C] is the minimum expected entering loop temperature, the leaving loop temperature would be 25 to 22°F [-4 to -6°C] and low temperature protection should be at 15°F [-10°C]. Calculation is as follows:  
 $30^{\circ}\text{F} - 15^{\circ}\text{F} = 15^{\circ}\text{F}$  [ $-1^{\circ}\text{C} - 9^{\circ}\text{C} = -10^{\circ}\text{C}$ ].

All alcohols should be premixed and pumped from a reservoir outside of the building when possible or introduced under the water level to prevent fumes. Calculate the total volume of fluid in the piping system. Then use the percentage by volume shown in Table 2 for the amount of antifreeze needed. Antifreeze concentration should be checked from a well mixed sample using a hydrometer to measure specific gravity.

## Low Water Temperature Cutout Setting - CXM Control

When antifreeze is selected, the FP1 jumper (JW3) should be clipped to select the low temperature (antifreeze 10°F [-12.2°C]) set point and avoid nuisance faults (see "Low Water Temperature Cutout Selection" in this manual). Note: Low water temperature operation requires extended range equipment.

**Table 1: Approximate Fluid Volume (gal.) per 100' of Pipe**

Fluid Volume (gal [liters] per 100' [30 meters] Pipe)		
Pipe	Size	Volume (gal) [liters]
Copper	1"	4.1 [15.3]
	1.25"	6.4 [23.8]
	2.5"	9.2 [34.3]
Rubber Hose	1"	3.9 [14.6]
Polyethylene	3/4" IPS SDR11	2.8 [10.4]
	1" iPS SDR11	4.5 [16.7]
	1.25" IPS SDR11	8.0 [29.8]
	1.5" IPS SDR11	10.9 [40.7]
	2" IPS SDR11	18.0 [67.0]
	1.25" IPS SCH40	8.3 [30.9]
	1.5" IPS SCH40	10.9 [40.7]
2" IPS SCH40	17.0 [63.4]	
Unit Heat Exchanger	Typical	1.0 [3.8]
Flush Cart Tank	10" Dia x 3ft tall [254mm x 91.4cm tall]	10 [37.9]

# Ground-Loop Heat Pump Applications

**Table 2: Antifreeze Percentages by Volume**

Type	Minimum Temperature for Low Temperature Protection			
	10°F [-12.2°C]	15°F [-9.4°C]	20°F [-6.7°C]	25°F [-3.9°C]
Methanol	21%	17%	13%	8%
Propylene Glycol	29%	24%	18%	12%
Ethanol*	23%	20%	16%	11%

\* Must not be denatured with any petroleum based product

## GROUND-WATER HEAT PUMP APPLICATIONS

### Open Loop - Ground Water Systems

Typical open loop piping is shown in Figure 13. Shut off valves should be included for ease of servicing. Boiler drains or other valves should be "tee'd" into the lines to allow acid flushing of the heat exchanger. Shut off valves should be positioned to allow flow through the coax via the boiler drains without allowing flow into the piping system. P/T plugs should be used so that pressure drop and temperature can be measured. Piping materials should be limited to copper or PVC SCH80. Note: Due to the pressure and temperature extremes, PVC SCH40 is not recommended.

Water quantity should be plentiful and of good quality. Consult table 3 for water quality guidelines. The unit can be ordered with either a copper or cupro-nickel water heat exchanger. Consult table 3 for recommendations. Copper is recommended for closed loop systems and open loop ground water systems that are not high in mineral content or corrosiveness. In conditions anticipating heavy scale formation or in brackish water, a cupro-nickel heat exchanger is recommended. In ground water situations where scaling could be heavy or where biological growth such as iron bacteria will be present, an open loop system is not recommended. Heat exchanger coils may over time lose heat exchange capabilities due to build up of mineral deposits. Heat exchangers must only be serviced by a qualified technician, as acid and special pumping equipment is required. Desuperheater coils can likewise become scaled and possibly plugged. In areas with extremely hard water, the owner should be informed that the heat exchanger may require occasional acid flushing. In some cases, the desuperheater option should not be recommended due to hard water conditions and additional maintenance required.

### Water Quality Standards

Table 3 should be consulted for water quality requirements. Scaling potential should be assessed using the pH/Calcium hardness method. If the pH <7.5 and the Calcium hardness is less than 100 ppm, scaling potential is low. If this method yields numbers out of range of those listed, the Ryznar Stability and Langelier Saturation indices should be calculated. Use the appropriate scaling surface temperature for the application, 150°F [66°C] for direct use (well water/open loop) and DHW (desuperheater); 90°F [32°F] for indirect use. A monitoring plan should be implemented in these probable scaling situations. Other water quality issues such as iron fouling, corrosion prevention and erosion and clogging should be referenced in Table 3.

### Pressure Tank and Pump

Use a closed, bladder-type pressure tank to minimize mineral formation due to air exposure. The pressure tank should be sized to provide at least one minute continuous run time of the pump using its drawdown capacity rating to prevent pump short cycling. Discharge water from the unit is not contaminated in any manner and can be disposed of in various ways, depending on local building codes (e.g. recharge well, storm sewer, drain field, adjacent stream or pond, etc.). Most local codes forbid the use of sanitary sewer for disposal. Consult your local building and zoning department to assure compliance in your area.

The pump should be sized to handle the home's domestic water load (typically 5-9 gpm [23-41 l/m]) plus the flow rate required for the heat pump. Pump sizing and expansion tank must be chosen as complimentary items. For example, an expansion tank that is too small can causing premature pump failure due to short cycling. Variable speed pumping applications should be considered for the inherent energy savings and smaller pressure tank requirements.

### Water Control Valve

Note the placement of the water control valve in figure 13. Always maintain water pressure in the heat exchanger by placing the water control valve(s) on the discharge line to prevent mineral precipitation during the off-cycle. Pilot operated slow closing valves are recommended to reduce water hammer. If water hammer persists, a mini-expansion tank can be mounted on the piping to help absorb the excess hammer shock. Insure that the total 'VA' draw of the valve can be supplied by the unit transformer. For instance, a slow closing valve can draw up to 35VA. This can overload smaller 40 or 50 VA transformers depending on the other controls in the circuit. A typical pilot operated solenoid valve draws approximately 15VA (see Figure 22). Note the special wiring diagrams for slowly closing valves (Figures 23 & 24).

### Flow Regulation

Flow regulation can be accomplished by two methods. One method of flow regulation involves simply adjusting the ball valve or water control valve on the discharge line. Measure the pressure drop through the unit heat exchanger, and determine flow rate from tables 9a through 9c. Since the pressure is constantly varying, two pressure gauges may be needed. Adjust the valve until the desired flow of 1.5 to 2 gpm per ton [2.0 to 2.6 l/m per kW] is achieved. A second method of flow control requires a flow control device

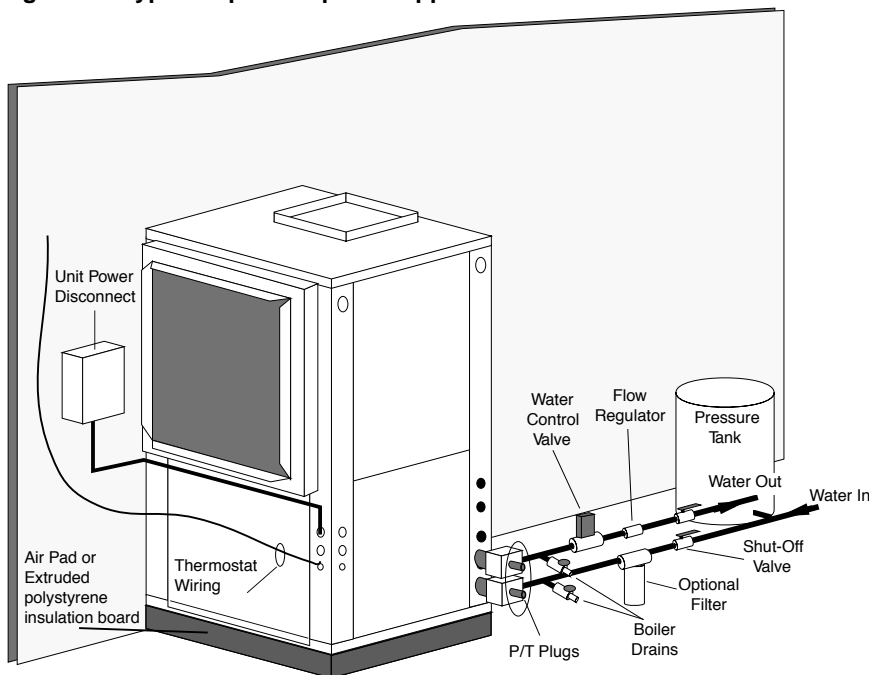
## Ground-Water Heat Pump Applications

mounted on the outlet of the water control valve. The device is typically a brass fitting with an orifice of rubber or plastic material that is designed to allow a specified flow rate. On occasion, flow control devices may produce velocity noise that can be reduced by applying some back pressure from the ball valve located on the discharge line. Slightly closing the valve will spread the pressure drop over both devices, lessening the velocity noise. **NOTE: When EWT is below 50°F [10°C], a minimum of 2 gpm per ton (2.6 l/m per kW) is required.**

### Water Coil Low Temperature Limit Setting

For all open loop systems the 30°F [-1.1°C] FP1 setting (factory setting-water) should be used to avoid freeze damage to the unit. See "Low Water Temperature Cutout Selection" in this manual for details on the low limit setting.

Figure 13: Typical Open Loop/Well Application



### ⚠ CAUTION! ⚠

**CAUTION!** Refrigerant pressure activated water regulating valves should never be used with this equipment.

# Water Quality Standards

**Table 3: Water Quality Standards**

Water Quality Parameter	HX Material	Closed Recirculating	Open Loop and Recirculating Well		
<b>Scaling Potential - Primary Measurement</b>					
Above the given limits, scaling is likely to occur. Scaling indexes should be calculated using the limits below					
pH/Calcium Hardness Method	All	-	pH < 7.5 and Ca Hardness <100ppm		
<b>Index Limits for Probable Scaling Situations - (Operation outside these limits is not recommended)</b>					
Scaling indexes should be calculated at 66°C for direct use and HWG applications, and at 32°C for indirect HX use. A monitoring plan should be implemented.					
Ryznar Stability Index	All	-	6.0 - 7.5 If >7.5 minimize steel pipe use.		
Langelier Saturation Index	All	-	-0.5 to +0.5 If <-0.5 minimize steel pipe use. Based upon 66°C HWG and Direct well, 29°C Indirect Well HX		
<b>Iron Fouling</b>					
Iron Fe <sup>2+</sup> (Ferrous) (Bacterial Iron potential)	All	-	<0.2 ppm (Ferrous) If Fe <sup>2+</sup> (ferrous)>0.2 ppm with pH 6 - 8, O <sub>2</sub> <5 ppm check for iron bacteria.		
Iron Fouling	All	-	<0.5 ppm of Oxygen Above this level deposition will occur.		
<b>Corrosion Prevention</b>					
pH	All	6 - 8.5 Monitor/treat as needed	6 - 8.5 Minimize steel pipe below 7 and no open tanks with pH <8		
Hydrogen Sulfide (H <sub>2</sub> S)	All	-	<0.5 ppm At H <sub>2</sub> S>0.2 ppm, avoid use of copper and copper nickel piping or HX's. Rotten egg smell appears at 0.5 ppm level. Copper alloy (bronze or brass) cast components are OK to <0.5 ppm.		
Ammonia ion as hydroxide, chloride, nitrate and sulfate compounds	All	-	<0.5 ppm		
Maximum Chloride Levels	Maximum Allowable at maximum water temperature.				
			10°C	24°C	38°C
	Copper	-	<20ppm	NR	NR
	Cupronickel	-	<150 ppm	NR	NR
	304 SS	-	<400 ppm	<250 ppm	<150 ppm
316 SS	-	<1000 ppm	<550 ppm	< 375 ppm	
Titanium	-	>1000 ppm	>550 ppm	>375 ppm	
<b>Erosion and Clogging</b>					
Particulate Size and Erosion	All	<10 ppm of particles and a maximum velocity of 1.8 m/s Filtered for maximum 841 micron [0.84 mm, 20 mesh] size.	<10 ppm (<1 ppm "sandfree" for reinjection) of particles and a maximum velocity of 1.8 m/s. Filtered for maximum 841 micron 0.84 mm, 20 mesh] size. Any particulate that is not removed can potentially clog components.		

Rev.: 3/22/2012

The Manufacturer Water Quality Table provides water quality requirements for Manufacturer coaxial heat exchangers. When water properties are outside of those requirements, an external secondary heat exchanger must be used to isolate the heat pump heat exchanger from the unsuitable water. Failure to do so will void the warranty for the coaxial heat exchanger.

**Notes:**

- Closed Recirculating system is identified by a closed pressurized piping system.
- Recirculating open wells should observe the open recirculating design considerations.
- NR - Application not recommended.
- "-" No design Maximum.

# Hot Water Generator

The HWG (Hot Water Generator) or desuperheater option provides considerable operating cost savings by utilizing excess heat energy from the heat pump to help satisfy domestic hot water requirements. The HWG is active throughout the year, providing virtually free hot water when the heat pump operates in the cooling mode or hot water at the COP of the heat pump during operation in the heating mode. Actual HWG water heating capacities are provided in the appropriate heat pump performance data.

Heat pumps equipped with the HWG option include a built-in water to refrigerant heat exchanger that eliminates the need to tie into the heat pump refrigerant circuit in the field. The control circuit and pump are also built in for residential equipment. Figure 14 shows a typical example of HWG water piping connections on a unit with built-in circulating pump. This piping layout reduces scaling potential.

The temperature set point of the HWG is field selectable to 125°F or 150°F. The 150°F set point allows more heat storage from the HWG. For example, consider the amount of heat that can be generated by the HWG when using the 125°F set point, versus the amount of heat that can be generated by the HWG when using the 150°F set point.

In a typical 50 gallon two-element electric water heater the lower element should be turned down to 100°F, or the lowest setting, to get the most from the HWG. The tank will eventually stratify so that the lower 80% of the tank, or 40 gallons, becomes 100°F (controlled by the lower element). The upper 20% of the tank, or 10 gallons, will be maintained at 125°F (controlled by the upper element).

Using a 125°F set point, the HWG can heat the lower 40 gallons of water from 100°F to 125°F, providing up to 8,330 btu's of heat. Using the 150°F set point, the HWG can heat the same 40 gallons of water from 100°F to 150°F and the remaining 10 gallons of water from 125°F to 150°F, providing a total of up to 18,743 btu's of heat, or more than twice as much heat as when using the 125°F set point.

This example ignored standby losses of the tank. When those losses are considered the additional savings are even greater.

**⚠ WARNING! ⚠**

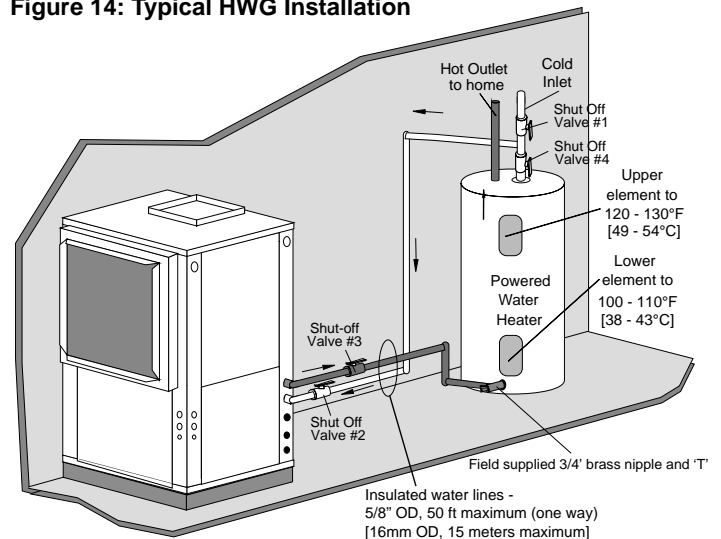
**WARNING! A 150°F SETPOINT MAY LEAD TO SCALDING OR BURNS. THE 150°F SET POINT MUST ONLY BE USED ON SYSTEMS THAT EMPLOY AN APPROVED ANTI-SCALD VALVE.**

Electric water heaters are recommended. If a gas, propane, or oil water heater is used, a second preheat tank must be installed (Figure 15). If the electric water heater has only a single center element, the dual tank system is recommended to insure a usable entering water temperature for the HWG.

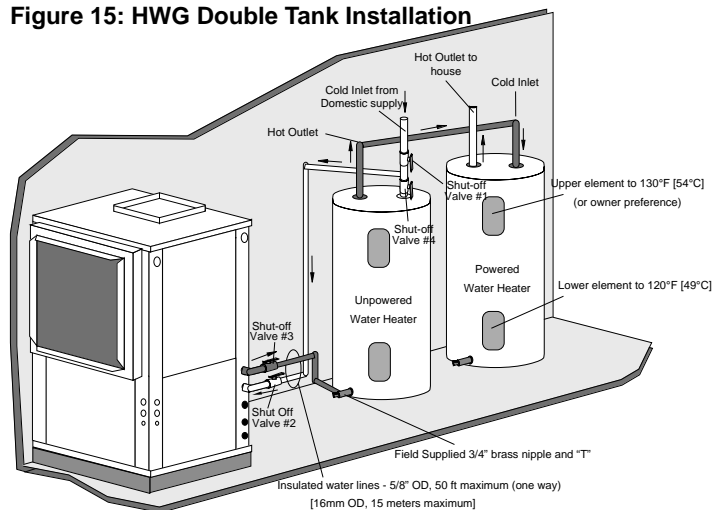
Typically a single tank of at least 52 gallons (235 liters) is used to limit installation costs and space. However, a dual tank, as shown in Figure 15, is the most efficient system, providing the maximum storage and temperate source water to the HWG.

It is always advisable to use water softening equipment on domestic water systems to reduce the scaling potential and lengthen equipment life. In extreme water conditions, it may be necessary to avoid the use of the HWG option since the potential cost of frequent maintenance may offset or exceed any savings. Consult Table 3 for scaling potential tests.

**Figure 14: Typical HWG Installation**



**Figure 15: HWG Double Tank Installation**





# Hot Water Generator

## Installation

The HWG is controlled by two sensors and a microprocessor control. One sensor is located on the compressor discharge line to sense the discharge refrigerant temperature. The other sensor is located on the HWG heat exchanger's "Water In" line to sense the potable water temperature.

**⚠ WARNING! ⚠**

**WARNING! UNDER NO CIRCUMSTANCES SHOULD THE SENSORS BE DISCONNECTED OR REMOVED AS FULL LOAD CONDITIONS CAN DRIVE HOT WATER TANK TEMPERATURES FAR ABOVE SAFE TEMPERATURE LEVELS IF SENSORS HAVE BEEN DISCONNECTED OR REMOVED.**

The microprocessor control monitors the refrigerant and water temperatures to determine when to operate the HWG. The HWG will operate any time the refrigerant temperature is sufficiently above the water temperature. Once the HWG has satisfied the water heating demand during a heat pump run cycle, the controller will cycle the pump at regular intervals to determine if an additional HWG cycle can be utilized. The microprocessor control includes 3 DIP switches, SW10 (HWG PUMP TEST), SW11 (HWG TEMP), and SW12 (HWG STATUS).

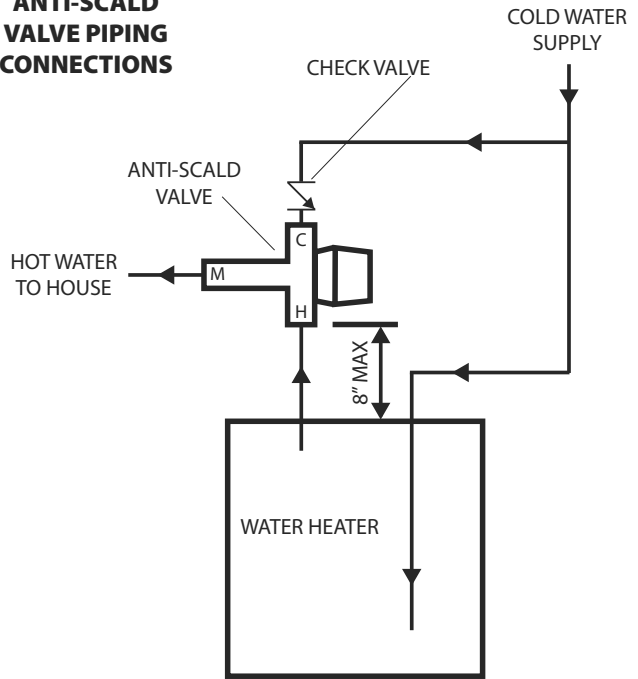
**SW10 HWG PUMP TEST.** When this switch is in the "ON" position, the HWG pump is forced to operate even if there is no call for the HWG. This mode may be beneficial to assist in purging the system of air during initial start up. When SW10 is in the "OFF" position, the HWG will operate normally. This switch is shipped from the factory in the "OFF" (normal) position. **NOTE:** If left in the "On" position for 5 minutes, the pump control will revert to normal operation.

**SW11 HWG TEMP.** The control setpoint of the HWG can be set to either of two temperatures, 125°F or 150°F. When SW11 is in the "ON" position the HWG setpoint is 150°F. When SW11 is in the "OFF" position the HWG setpoint is

**⚠ WARNING! ⚠**

**WARNING! USING A 150°F SETPOINT ON THE HWG WILL RESULT IN WATER TEMPERATURES SUFFICIENT TO CAUSE SEVERE PHYSICAL INJURY IN THE FORM OF SCALDING OR BURNS, EVEN WHEN THE HOT WATER TANK TEMPERATURE SETTING IS VISIBLY SET BELOW 150°F. THE 150°F HWG SETPOINT MUST ONLY BE USED ON SYSTEMS THAT EMPLOY AN APPROVED ANTI-SCALD VALVE (PART NUMBER AVAS4) AT THE HOT WATER STORAGE TANK WITH SUCH VALVE PROPERLY SET TO CONTROL WATER TEMPERATURES DISTRIBUTED TO ALL HOT WATER OUTLETS AT A TEMPERATURE LEVEL THAT PREVENTS SCALDING OR BURNS!**

## ANTI-SCALD VALVE PIPING CONNECTIONS



125°F. This switch is shipped from the factory in the "OFF" (125°F) position.

**SW12 HWG STATUS.** This switch controls operation of the HWG. When SW12 is in the "ON" position the HWG is disabled and will not operate. When SW12 is in the "OFF" position the HWG is in the enabled mode and will operate normally. This switch is shipped from the factory in the "ON" (disabled) position. **CAUTION: DO NOT PLACE THIS SWITCH IN THE ENABLED POSITION UNTIL THE HWG PIPING IS CONNECTED, FILLED WITH WATER, AND PURGED OR PUMP DAMAGE WILL OCCUR.**

When the control is powered and the HWG pump output is not active, the status LED (AN1) will be "On". When the HWG pump output is active for water temperature sampling or HWG operation, the status LED will slowly flash (On 1 second, Off 1 second).

If the control has detected a fault, the status LED will flash a numeric fault code as follows:

Hot Water Sensor Fault	1 flash
Compressor Discharge sensor fault	2 flashes
High Water Temperature (>160°F)	3 flashes
Control Logic Error	4 flashes

Fault code flashes have a duration of 0.4 seconds with a 3 second pause between fault codes. For example, a "Compressor Discharge sensor fault" will be four flashes 0.4 seconds long, then a 3 second pause, then four flashes again, etc.

# Hot Water Generator

**Warning! The HWG pump is fully wired from the factory. Use extreme caution when working around the microprocessor control as it contains line voltage connections that presents a shock hazard that can cause severe injury or death!**

The heat pump, water piping, pump, and hot water tank should be located where the ambient temperature does not fall below 50°F [10°C]. Keep water piping lengths at a minimum. DO NOT use a one way length greater than 50 ft. (one way) [15 m]. See Table 7 for recommended piping sizes and maximum lengths.

All installations must be in accordance with local codes. The installer is responsible for knowing the local requirements, and for performing the installation accordingly. DO NOT connect the pump wiring until "Initial Start-Up" section, below. Powering the pump before all installation steps are completed may damage the pump.

### Water Tank Preparation

1. Turn off power or fuel supply to the hot water tank.
2. Connect a hose to the drain valve on the water tank.
3. Shut off the cold water supply to the water tank.
4. Open the drain valve and open the pressure relief valve or a hot water faucet to drain tank.
5. When using an existing tank, it should be flushed with cold water after it is drained until the water leaving the drain hose is clear and free of sediment.
6. Close all valves and remove the drain hose.
7. Install HWG water piping.

### HWG Water Piping

1. Using at least 5/8" [16mm] O.D. copper, route and install the water piping and valves as shown in Figures 14 or 15. Install an approved anti-scald valve if the 150°F HWG setpoint is or will be selected. An appropriate method must be employed to purge air from the HWG piping. This may be accomplished by flushing water through the HWG (as in Figures 14 and 15) or by installing an air vent at the high point of the HWG piping system.
2. Insulate all HWG water piping with no less than 3/8" [10mm] wall closed cell insulation.
3. Open both shut off valves and make sure the tank drain valve is closed.

### Water Tank Refill

1. Close valve #4. Ensure that the HWG valves (valves #2 and #3) are open. Open the cold water supply (valve #1) to fill the tank through the HWG piping. This will purge air from the HWG piping.
2. Open a hot water faucet to vent air from the system until water flows from faucet; turn off faucet. Open valve #4.
3. Depress the hot water tank pressure relief valve handle to ensure that there is no air remaining in the tank.
4. Inspect all work for leaks.
5. Before restoring power or fuel supply to the water heater, adjust the temperature setting on the tank thermostat(s) to

insure maximum utilization of the heat available from the refrigeration system and conserve the most energy. On tanks with both upper and lower elements and thermostats, the lower element should be turned down to 100°F [38°C] or the lowest setting; the upper element should be adjusted to 120-130°F [49-54°C]. Depending upon the specific needs of the customer, you may want to adjust the upper element differently. On tanks with a single thermostat, a preheat tank should be used (Fig 15).

6. Replace access cover(s) and restore power or fuel supply.

### Initial Start-Up

1. Make sure all valves in the HWG water circuit are fully open.
2. Turn on the heat pump and allow it to run for 10-15 minutes.
3. Set SW12 to the "OFF" position (enabled) to engage the HWG.
4. The HWG pump should not run if the compressor is not running.
5. The temperature difference between the water entering and leaving the HWG coil should be approximately 5-10°F [3-6°C].
6. Allow the unit to operate for 20 to 30 minutes to insure that it is functioning properly.

**Table 7: HWG Water Piping Sizes and Length**

Unit Nominal Tonnage	Nominal HWG Flow (gpm)	1/2" Copper (max length*)	3/4" Copper (max length*)
1.5	0.6	50	-
2.0	0.8	50	-
2.5	1.0	50	-
3.0	1.2	50	-
3.5	1.4	50	-
4.0	1.6	45	50
5.0	2.0	25	50
6.0	2.4	10	50

\*Maximum length is equivalent length (in feet) one way of type L copper.

# Electrical - Line Voltage

## ⚠ WARNING! ⚠

**WARNING!** To avoid possible injury or death due to electrical shock, open the power supply disconnect switch and secure it in an open position during installation.

## ⚠ CAUTION! ⚠

**CAUTION!** Use only copper conductors for field installed electrical wiring. Unit terminals are not designed to accept other types of conductors.

**Table 4a: HT Series Electrical Data**

Model	Compressor			HWG Pump FLA	Ext Loop Pump FLA	Fan Motor FLA	HT Units (ECM) Standard		
	RLA	LRA	Qty				Total Unit FLA	Min Circuit Amps	Max Fuse/HACR (2)
024	11.7	58.3	1	0.5	1.7	3.9	16.1	19.0	30
036	15.3	83.0	1	0.5	1.7	3.9	19.7	23.5	35
048	21.2	104.0	1	0.5	1.7	6.9	28.6	33.9	50
060	27.1	152.9	1	0.5	1.7	6.9	34.5	41.2	60
070	29.7	179.2	1	0.5	1.7	6.9	37.1	44.5	70

Rated Voltage of 208-230/60/1  
HACR circuit breaker in USA only

Min/Max Voltage of 197/254  
All fuses Class RK-5

# Electrical - Line Voltage

**⚠ WARNING! ⚠**

**WARNING!** Disconnect electrical power source to prevent injury or death from electrical shock.

**⚠ CAUTION! ⚠**

**CAUTION!** Use only copper conductors for field installed electrical wiring. Unit terminals are not designed to accept other types of conductors.

### Electrical - Line Voltage

All field installed wiring, including electrical ground, must comply with the National Electrical Code as well as all applicable local codes. Refer to the unit electrical data for fuse sizes. Consult wiring diagram for field connections that must be made by the installing (or electrical) contractor.

All final electrical connections must be made with a length of flexible conduit to minimize vibration and sound transmission to the building.

### General Line Voltage Wiring

Be sure the available power is the same voltage and phase shown on the unit serial plate. Line and low voltage wiring must be done in accordance with local codes or the National Electric Code, whichever is applicable.

### Power Connection

Line voltage connection is made by connecting the incoming line voltage wires to the "L" side of the contactor as shown in Figure 16. Consult Tables 4a through 4b for correct fuse size.

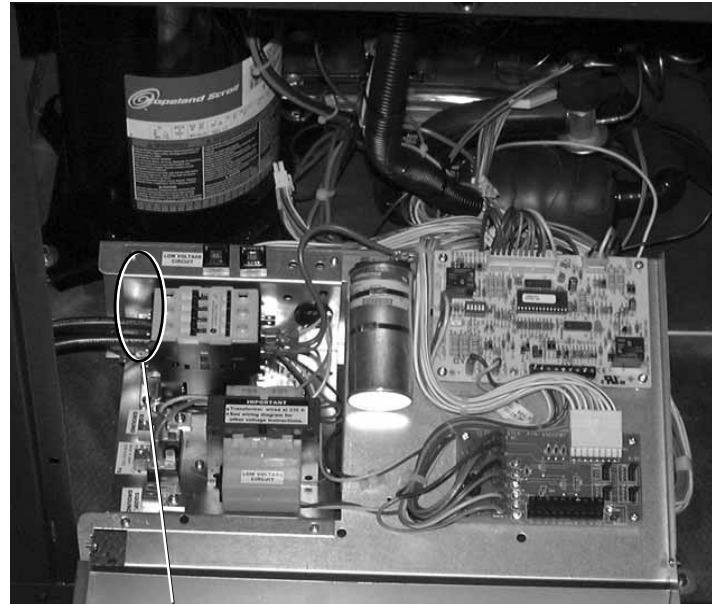
### 208 Volt Operation

All residential 208-230 Volt units are factory wired for 230 Volt operation. The transformer may be switched to the 208V tap as illustrated on the wiring diagram by switching the red (208V) and the orange (230V) wires at the contactor terminal.

### Blower Speed Selection – Units with PSC Motor

PSC (Permanent Split Capacitor) blower fan speed can be changed by moving the blue wire on the fan motor terminal block to the desired speed as shown in Figure 17. Optional ECM motor speeds are set via low voltage controls (see "ECM Blower Control"). Most units are shipped on the medium speed tap. Consult specifications catalog for specific unit airflow tables. Typical unit design delivers rated airflow at nominal static (0.15 in. w.g. [37Pa]) on medium speed and rated airflow at a higher static (0.4 to 0.5 in. w.g. [100 to 125 Pa]) on high speed for applications where higher static is required. Low speed will deliver approximately 85% of rated airflow at 0.10 in. w.g. [25 Pa].

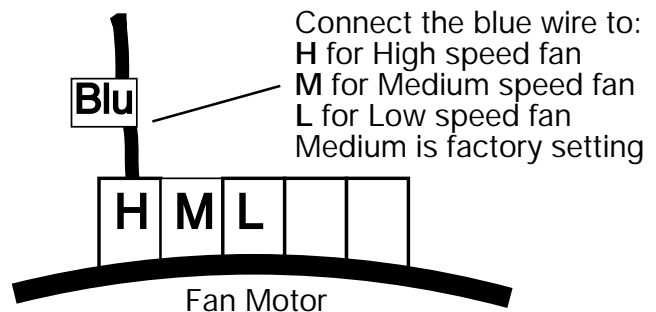
**Figure 16: HT Single Phase Line Voltage Field Wiring**



Unit Power Supply  
(see electrical table for wire and breaker size)

**Special Note for AHRI Testing:** To achieve rated airflow for AHRI testing purposes on all PSC products, it is necessary to change the fan speed to "HI" speed. When the heat pump has experienced less than 100 operational hours and the coil has not had sufficient time to be "seasoned", it is necessary to clean the coil with a mild surfactant such as Calgon to remove the oils left by manufacturing processes and enable the condensate to properly "sheet" off of the coil.

**Figure 17: PSC Motor Speed Selection**



### HWG Wiring (Split Units Only)

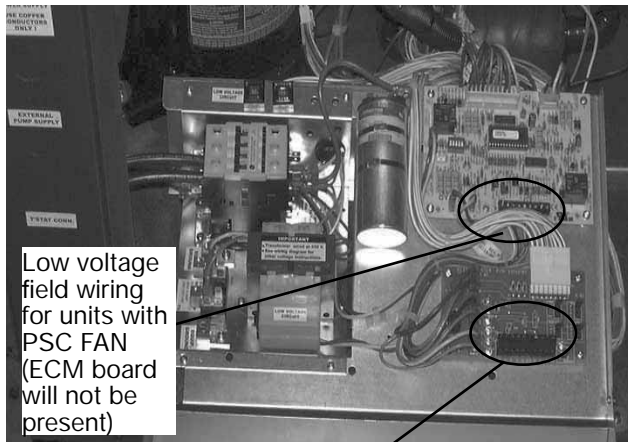
The hot water generator pump power wiring is disabled at the factory to prevent operating the HWG pump "dry." After all HWG piping is completed and air purged from the water piping, the pump power wires should be applied to terminals on the HWG power block PB2 as shown in the unit wiring diagram. This connection can also serve as a HWG disable when servicing the unit.

# Electrical - Low Voltage Wiring

## Thermostat Connections

The thermostat should be wired directly to the CXM board (units with PSC fan). Units with optional ECM motor include factory wiring from the CXM board to the ECM interface board. Thermostat wiring for these units should be connected to the ECM interface board. Figure 18 shows wiring for HT units with PSC or optional ECM motor. See "Electrical - Thermostat" for specific terminal connections.

**Figure 18: HT Low Voltage Field Wiring**



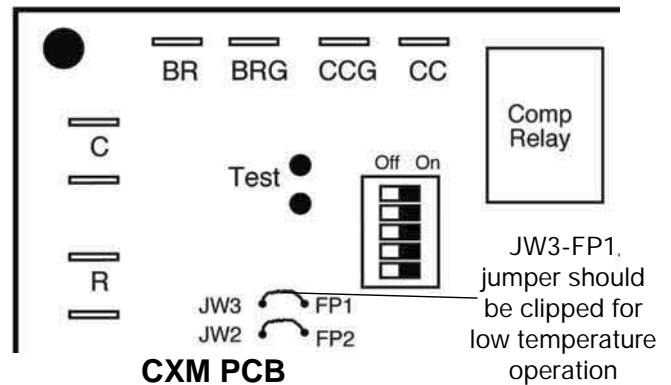
Low voltage field wiring for units with ECM fan

## Low Water Temperature Cutout Selection

The CXM control allows the field selection of low water (or water-antifreeze solution) temperature limit by clipping jumper JW3, which changes the sensing temperature associated with thermistor FP1. Note that the FP1 thermistor is located on the refrigerant line between the coaxial heat exchanger and expansion device (TXV). Therefore, FP1 is sensing refrigerant temperature, not water temperature, which is a better indication of how water flow rate/temperature is affecting the refrigeration circuit.

The factory setting for FP1 is for systems using water (30°F [-1.1°C] refrigerant temperature). In low water temperature (extended range) applications with antifreeze (most ground loops), jumper JW3 should be clipped as shown in Figure 19 to change the setting to 10°F [-12.2°C] refrigerant temperature, a more suitable temperature when using an antifreeze solution. All residential units include water/refrigerant circuit insulation to prevent internal condensation, which is required when operating with entering water temperatures below 59°F [15°C].

**Figure 19: FP1 Limit Setting**

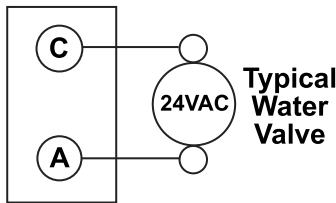


# Electrical - Low Voltage Wiring

## Accessory Connections

A terminal paralleling the compressor contactor coil has been provided on the CXM control. Terminal "A" is designed to control accessory devices, such as water valves. Note: This terminal should be used only with 24 Volt signals and not line voltage. Terminal "A" is energized with the compressor contactor. See Figure 20 or the specific unit wiring diagram for details.

**Figure 20: Accessory Wiring Terminal Strip**



## Water Solenoid Valves

An external solenoid valve(s) should be used on ground water installations to shut off flow to the unit when the compressor is not operating. A slow closing valve may be required to help reduce water hammer. Figure 20 shows typical wiring for a 24VAC external solenoid valve. Figures 21 and 22 illustrate typical slow closing water control valve wiring for Taco 500 series (Manufacturer P/N AVM...) and Taco SBV series valves. Slow closing valves take approximately 60 seconds to open (very little water will flow before 45 seconds). Once fully open, an end switch allows the compressor to be energized. Only relay or triac based electronic thermostats should be used with slow closing valves. When wired as shown, the slow closing valve will operate properly with the following notations:

1. The valve will remain open during a unit lockout.
2. The valve will draw approximately 25-35 VA through the "Y" signal of the thermostat. Note: This valve can overheat the anticipator of an electromechanical thermostat. Therefore, only relay or triac based thermostats should be used.

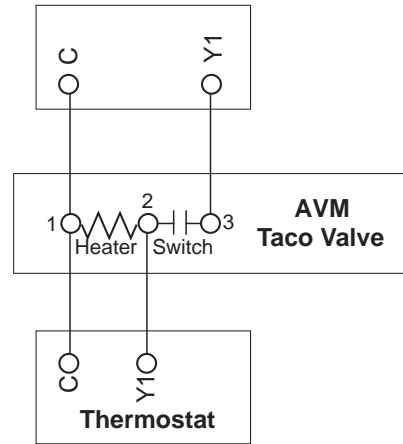
## Two-stage Units

HT two-stage units should be designed with two parallel valves for ground water applications to limit water use during first stage operation. For example, at 1.5 gpm/ ton [2.0 l/m per kW], a 048 unit requires 6 gpm [23 l/m] for full load (2nd stage) operation, but only 4 gpm [15 l/m] during 1st stage operation. Since the unit will operate on first stage 80-90% of the time, significant water savings can be realized by using two parallel solenoid valves with two flow regulators. In the example above, stage one solenoid would be installed with a 4 gpm [15 l/m] flow regulator on the outlet, while stage two would utilize a 2 gpm [8 l/m] flow regulator. When stage one is operating, the second solenoid valve will be closed. When stage two is operating, both valves will be open, allowing full load flow rate.

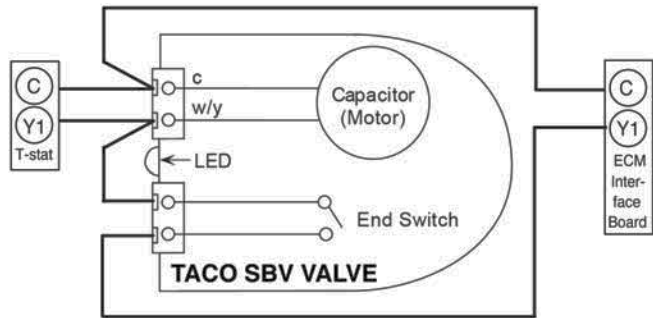
Figure 23 illustrates piping for two-stage solenoid valves. Review figures 20-22 for wiring of stage one valve. Stage two valve should be wired between terminal "Y2" (ECM board) and terminal "C."

Note: When EWT is below 50°F [10°C], a minimum of 2 gpm per ton (2.6 l/m per kW) is required.

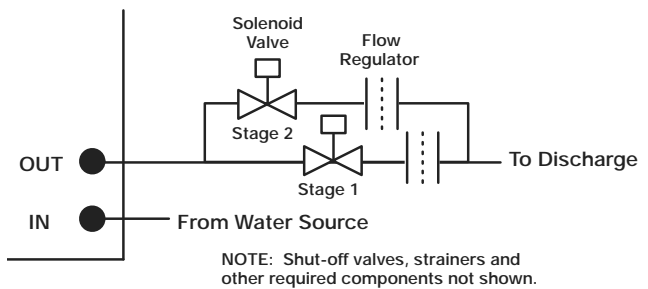
**Figure 21: AVM Valve Wiring**



**Figure 22: Taco SBV Valve Wiring**



**Figure 23: Two-Stage Piping**



NOTE: Shut-off valves, strainers and other required components not shown.

# Electrical - Thermostat Wiring

**⚠ CAUTION! ⚠**

**CAUTION!** Many units are installed with a factory or field supplied manual or electric shut-off valve. **DAMAGE WILL OCCUR** if shut-off valve is **closed** during unit operation. A high pressure switch must be installed on the heat pump side of any field provided shut-off valves and connected to the heat pump controls in series with the built-in refrigerant circuit high pressure switch to disable compressor operation if water pressure exceeds pressure switch setting. The field installed high pressure switch shall have a cut-out pressure of 300 psig and a cut-in pressure of 250 psig. This pressure switch can be ordered from Manufacturer with a 1/4" internal flare connection as part number 39B0005N02.

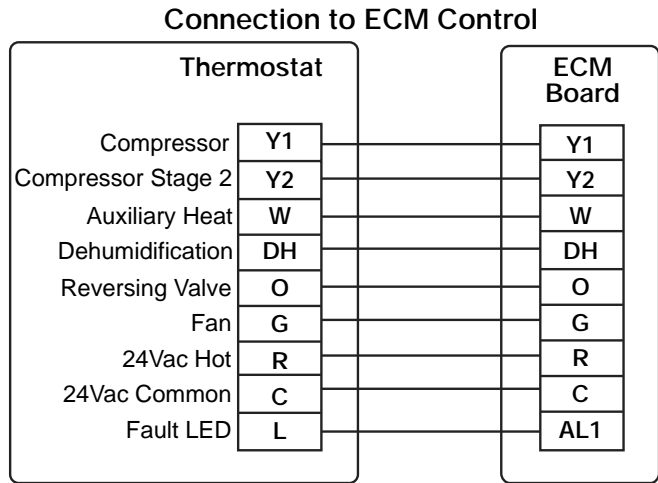
**⚠ CAUTION! ⚠**

**CAUTION!** Refrigerant pressure activated water regulating valves should never be used with Manufacturer equipment.

### Thermostat Installation

The thermostat should be located on an interior wall in a larger room, away from supply duct drafts. DO NOT locate the thermostat in areas subject to sunlight, drafts or on external walls. The wire access hole behind the thermostat may in certain cases need to be sealed to prevent erroneous temperature measurement. Position the thermostat back plate against the wall so that it appears level and so the thermostat wires protrude through the middle of the back plate. Mark the position of the back plate mounting holes and drill holes with a 3/16" (5mm) bit. Install supplied anchors and secure plate to the wall. Thermostat wire must be 18 AWG wire. Wire the appropriate thermostat as shown in Figures 24 and 25 to the low voltage terminal strip on the CXM (units with PSC motor) or ECM control board (units with ECM motor). Practically any heat pump thermostat will work with these units, provided it has the correct number of heating and cooling stages.

Figure 24: Units With Optional ECM Fan.

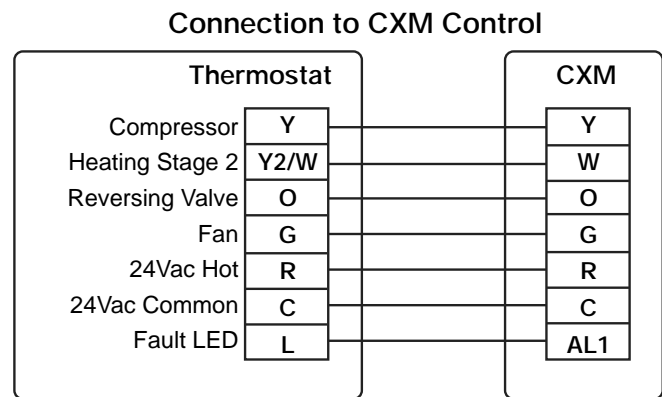


Units with CXM or DXM board and ECM fan motor, utilizing ECM dehumidification mode

Notes:

- 1) ECM dehumidification mode slows down fan speed in the cooling mode when dehumidification output from thermostat is active. Normal heating and cooling fan speeds are not affected.
- 2) ECM board DIP switch SW9 must be in dehumid. mode for ECM dehumidification mode.

Figure 25: Typical Thermostat 2 Heat/1 Cool (PSC Fan)



## ECM Blower Control

The ECM fan is controlled by an interface board that converts thermostat inputs and field selectable CFM settings to signals used by the ECM motor controller. Units manufactured before July 2005 have version I (P/N 69243707). Units manufactured after July 2005 have version II (P/N 17B0019N01). Fan speeds are selected with jumpers for version I or via a nine position DIP switch for version II. To take full advantage of the ECM motor features, a multi-stage thermostat should be used (2-stage heat/2-stage cool or 3-stage heat/2-stage cool).

HFC-410A packaged units built after May 2009 have ECM controller version III (P/N 17B0034N01). This controller includes logic and a relay to control the HWG functions.

Note: Power must be off to the unit for at least three seconds before the ECM motor will recognize a speed change. The motor will recognize a change in the CFM Adjust or dehumidification mode settings while the unit is powered.

There are four different airflow settings from lowest airflow rate (speed tap 1) to the highest airflow rate (speed tap 4). The charts below indicate settings for both versions of the ECM interface board, followed by detailed information for each setting.

**Cooling Settings:** The cooling setting determines the cooling (normal) CFM for all units with ECM motor. Cooling (normal) setting is used when the unit is not in dehumidification mode. Tap 1 is the lowest CFM setting, while tap 4 is the highest CFM setting. To avoid air coil freeze-up, tap 1 may not

be used if the dehumidification mode is selected. Consult submittal data or specifications catalog for the specific unit series and model to correlate speed tap setting to airflow in CFM.

**Heating Settings:** The heating setting determines the heating

CFM for HT units. Tap 1 is the lowest CFM setting, while tap 4 is the highest CFM setting. Consult submittal data or specifications catalog for the specific unit series and model to correlate speed tap setting to airflow in CFM.

**Auxiliary/Emergency Heat Settings:** The auxiliary/emergency heat setting determines the CFM when the unit is in auxiliary heat or emergency heat mode. This setting is used for residential units with internal electric heat. When auxiliary electric heat is energized (i.e. compressor and electric heat), the greater of the auxiliary/emergency or heating setting will be used. A "G" (fan) signal must be present from the thermostat for electric heat to operate. Consult the submittal data or specifications catalog for the specific unit series and model to correlate speed tap setting to airflow in CFM.

**CFM Adjust Settings:** The CFM adjust setting allows four selections. The NORM setting is the factory default position. The + or – settings adjust the airflow by +/- 15%. The +/- settings are used to "fine tune" airflow adjustments. The TEST setting runs the ECM motor at 70% torque, which causes the motor to operate like a standard PSC motor, and disables the CFM counter.

**Dehumidification Mode Settings:** The dehumidification mode setting provides field selection of humidity control. When

operating in the normal mode, the cooling airflow settings are determined by the cooling tap setting above. When dehumidification is enabled there is a reduction in airflow

in cooling to increase the moisture removal of the heat pump. Consult submittal data or specifications catalog for the specific unit series and model to correlate speed tap to airflow in CFM. The dehumidification mode can be enabled in two ways.

1. **Constant Dehumidification Mode:** When the dehumidification mode is selected (via DIP switch or jumper setting), the ECM motor will operate with a multiplier applied to the cooling CFM settings (approx. 20-25% lower airflow). Any time the unit is running in the cooling mode, it will operate at the lower airflow to improve latent capacity. The "DEHUM" LED will be illuminated at all times. Heating airflow is not affected. NOTE: Do not select dehumidification mode if cooling setting is tap 1.
2. **Automatic (Humidistat-controlled) Dehumidification Mode:** When the dehumidification mode is selected (via DIP switch or jumper setting) AND a humidistat is connected to terminal DH (version II) or HUM (version I), the cooling airflow will only be reduced when the humidistat senses that additional dehumidification is required. The DH (or HUM) terminal is reverse logic. Therefore, a humidistat (not dehumidistat) is required. The "DEHUM" LED will be illuminated only when the humidistat is calling for dehumidification mode. Heating airflow is not affected. NOTE: Do not select dehumidification mode if cooling setting is tap 1.



# ECM Blower Control

**Table 5: ECM Board Tap Settings**

**Cooling settings: HT Units**

Tap Setting	Version I 69243707	Version II and III (17B0019N01 & 17B0034N01)	
	HP CFM Jumper	DIP Switch	
		SW1	SW2
1	1	ON	ON
2	2	ON	OFF
3	3	OFF	ON
4	4	OFF	OFF

**Heating settings: HT Units**

Tap Setting	Version I 69243707	Version II and III (17B0019N01 & 17B0034N01)	
	DELAY Jumper	DIP Switch	
		SW3	SW4
1	1	ON	ON
2	2	ON	OFF
3	3	OFF	ON
4	4	OFF	OFF

**Aux/Emerg Heat settings: HT Units**

Tap Setting	Version I 69243707	Version II and III (17B0019N01 & 17B0034N01)	
	AUX CFM Jumper	DIP Switch	
		SW5	SW6
1	1	ON	ON
2	2	ON	OFF
3	3	OFF	ON
4	4	OFF	OFF

**CFM Adjust settings: HT Units**

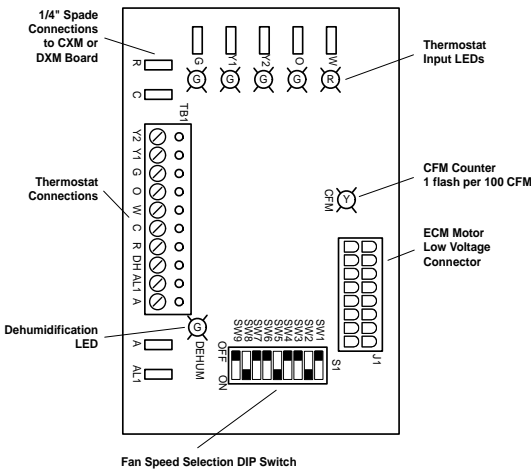
Tap Setting	Version I 69243707	Version II and III (17B0019N01 & 17B0034N01)	
	CFM Adj Jumper	DIP Switch	
		SW7	SW8
TEST	1	ON	ON
-	2	ON	OFF
+	3	OFF	ON
NORM	4	OFF	OFF

**Dehum Mode settings: HT Units**

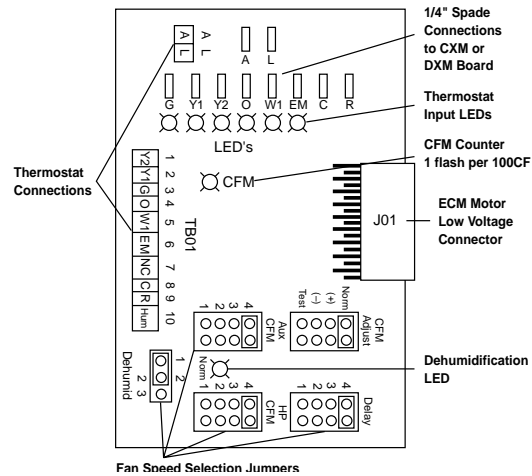
Tap Setting	Version I 69243707	Version II and III (17B0019N01 & 17B0034N01)
	Dehumid Jumper	DIP Switch
		SW9
NORM	pins 1,2	ON
Dehumid	pins 2,3	OFF

\*Residential Units

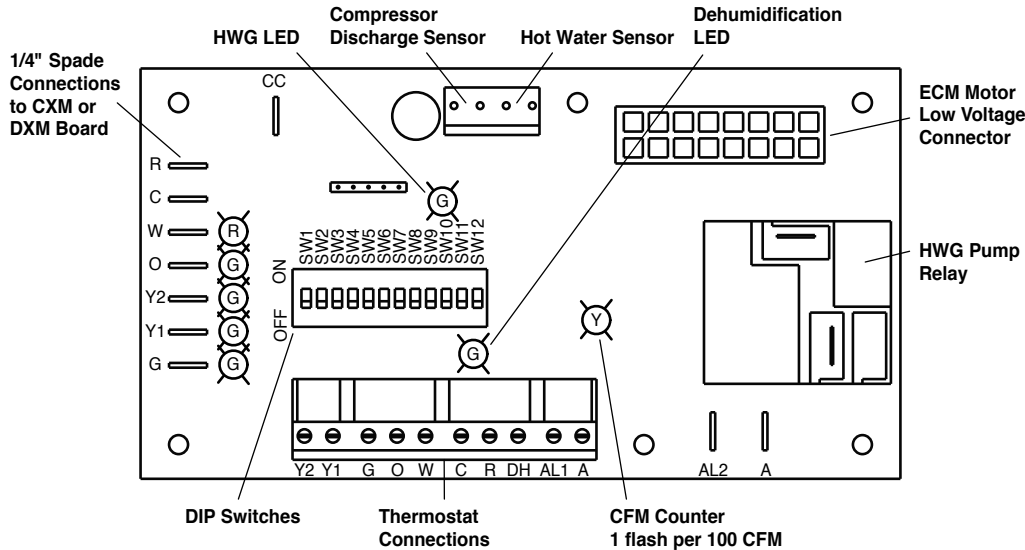
**Figure 26a: ECM Version II Interface Layout**



**Figure 26b: ECM Version I Interface Layout**



**Figure 26c: ECM Version III Interface Layout**



# HT Series ECM Blower Performance Data

Airflow in CFM with wet coil and clean air filter										Residential Units Only	
Model	Max ESP (in. wg)	Fan Motor (hp)	Range	Cooling Mode		Dehumid Mode		Heating Mode		Fan Only Mode	Aux/ Emerg Mode
				Stg 1	Stg 2	Stg 1	Stg 2	Stg 1	Stg 2		
024	1.0	1/2	Default	700	525	550	425	750	600	350	850
			Maximum	1000	800	800	600	1000	850	1000	1000
			Minimum	600	450	550	400	600	450	300	700
036	0.9	1/2	Default	1050	800	850	650	1100	850	550	1350
			Maximum	1500	1100	1200	900	1500	1100	1500	1500
			Minimum	900	600	825	550	900	600	450	1350
048	1.0	1	Default	1400	1050	1100	850	1500	1150	700	1500
			Maximum	2000	1500	1600	1200	2000	1500	2000	2000
			Minimum	1200	900	1100	825	1200	900	600	1350
060	0.7	1	Default	1750	1300	1400	1050	1875	1450	875	1875
			Maximum	2300	1900	2000	1500	2300	1900	2300	2300
			Minimum	1500	1100	1375	1000	1500	1100	750	1500
070	0.7	1	Default	1900	1450	1650	1250	2000	1650	950	2000
			Maximum	2300	2200	2000	1800	2300	2200	2300	2300
			Minimum	1800	1350	1650	1250	1800	1350	900	1800

During Auxiliary operation (residential units only) the CFM will run at the higher if the heating (delay jumper) or AUX settings  
 Airflow is controlled within +/- 5% up to Max ESP shown with wet coil and standard 1" fiberglass filter  
 Do not select Dehumidification mode if HP CFM is on setting 1  
 All units AHRI/ISO/ASHRAE 13256-1 rated HP (Cooling) Delay (Heating) CFM Setting 3

Note: See the ECM Blower Control section for information on setting taps.

# CXM Controls

## CXM Control

For detailed control information, see CXM Application, Operation and Maintenance (AOM) manual (part #97B0003N12).

### Field Selectable Inputs

**Test mode:** Test mode allows the service technician to check the operation of the control in a timely manner. By momentarily shorting the test terminals, the CXM control enters a 20 minute test mode period in which all time delays are sped up 15 times. Upon entering test mode, the status LED will flash a code representing the last fault. For diagnostic ease at the thermostat, the alarm relay will also cycle during test mode. The alarm relay will cycle on and off similar to the status LED to indicate a code representing the last fault, at the thermostat. Test mode can be exited by shorting the test terminals for 3 seconds.

**Retry Mode:** If the control is attempting a retry of a fault, the status LED will slow flash (slow flash = one flash every 2 seconds) to indicate the control is in the process of retrying.

### Field Configuration Options

Note: In the following field configuration options, jumper wires should be clipped **ONLY** when power is removed from the CXM control.

**Water coil low temperature limit setting:** Jumper 3 (JW3-FP1 Low Temp) provides field selection of temperature limit setting for FP1 of 30°F or 10°F [-1°F or -12°C] (refrigerant temperature).

*Not Clipped = 30°F [-1°C]. Clipped = 10°F [-12°C].*

**Air coil low temperature limit setting:** Jumper 2 (JW2-FP2 Low Temp) provides field selection of temperature limit setting for FP2 of 30°F or 10°F [-1°F or -12°C] (refrigerant temperature).

Note: This jumper should only be clipped under extenuating circumstances, as recommended by the factory.

*Not Clipped = 30°F [-1°C]. Clipped = 10°F [-12°C].*

**Alarm relay setting:** Jumper 1 (JW1-AL2 Dry) provides field selection of the alarm relay terminal AL2 to be jumpered to 24VAC or to be a dry contact (no connection).

*Not Clipped = AL2 connected to R. Clipped = AL2 dry contact (no connection).*

### DIP Switches

Note: In the following field configuration options, DIP switches should only be changed when power is removed from the CXM control.

**DIP switch 1:** Unit Performance Sentinel Disable - provides field selection to disable the UPS feature.

*On = Enabled. Off = Disabled.*

**DIP switch 2:** Stage 2 Selection - provides selection of whether compressor has an "on" delay. If set to stage 2, the compressor will have a 3 second delay before energizing. Also, if set for stage 2, the alarm relay will NOT cycle during test mode.

*On = Stage 1. Off = Stage 2*

**DIP switch 3:** Not Used.

**DIP switch 4:** DDC Output at EH2 - provides selection for DDC operation. If set to "DDC Output at EH2," the EH2 terminal will continuously output the last fault code of the controller. If set to "EH2 normal," EH2 will operate as standard electric heat output.

*On = EH2 Normal. Off = DDC Output at EH2.*

NOTE: Some CXM controls only have a 2 position DIP switch package. If this is the case, this option can be selected by clipping the jumper which is in position 4 of SW1.

*Jumper not clipped = EH2 Normal. Jumper clipped = DDC Output at EH2.*

**DIP switch 5:** Factory Setting - Normal position is "On." Do not change selection unless instructed to do so by the factory.

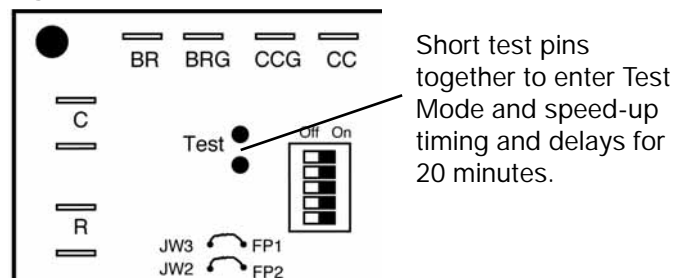
**Table 6a: CXM LED And Alarm Relay Operations**

Description of Operation	LED	Alarm Relay
Normal Mode	On	Open
Normal Mode with UPS Warning	On	Cycle (closed 5 sec., Open 25 sec.)
CXM is non-functional	Off	Open
Fault Retry	Slow Flash	Open
Lockout	Fast Flash	Closed
Over/Under Voltage Shutdown	Slow Flash	Open (Closed after 15 minutes)
Test Mode - No fault in memory	Flashing Code 1	Cycling Code 1
Test Mode - HP Fault in memory	Flashing Code 2	Cycling Code 2
Test Mode - LP Fault in memory	Flashing Code 3	Cycling Code 3
Test Mode - FP1 Fault in memory	Flashing Code 4	Cycling Code 4
Test Mode - FP2 Fault in memory	Flashing Code 5	Cycling Code 5
Test Mode - CO Fault in memory	Flashing Code 6	Cycling Code 6
Test Mode - Over/Under shutdown in memory	Flashing Code 7	Cycling Code 7
Test Mode - UPS in memory	Flashing Code 8	Cycling Code 8
Test Mode - Swapped Thermistor	Flashing Code 9	Cycling Code 9

-Flash code 2 = 2 quick flashes, 10 second pause, 2 quick flashes, 10 second pause, etc.

-On pulse 1/3 second; off pulse 1/3 second

**Figure 27: Test Mode Pins**



# CXM Controls

## Safety Features – CXM Control

The safety features below are provided to protect the compressor, heat exchangers, wiring and other components from damage caused by operation outside of design conditions.

**Anti-short cycle protection:** The control features a 5 minute anti-short cycle protection for the compressor.

Note: The 5 minute anti-short cycle also occurs at power up.

**Random start:** The control features a random start upon power up of 5-80 seconds.

**Fault Retry:** In Fault Retry mode, the Status LED begins slowly flashing to signal that the control is trying to recover from a fault input. The control will stage off the outputs and then “try again” to satisfy the thermostat input call. Once the thermostat input call is satisfied, the control will continue on as if no fault occurred. If 3 consecutive faults occur without satisfying the thermostat input call, the control will go into “lockout” mode. The last fault causing the lockout will be stored in memory and can be viewed by going into test mode. Note: FP1/FP2 faults are factory set at only one try.

**Lockout:** In lockout mode, the status LED will begin fast flashing. The compressor relay is turned off immediately. Lockout mode can be “soft” reset by turning off the thermostat (or satisfying the call). A “soft” reset keeps the fault in memory but resets the control. A “hard” reset (disconnecting power to the control) resets the control and erases fault memory.

**Lockout with emergency heat:** While in lockout mode, if W becomes active (CXM), emergency heat mode will occur.

**High pressure switch:** When the high pressure switch opens due to high refrigerant pressures, the compressor relay is de-energized immediately since the high pressure switch is in series with the compressor contactor coil. The high pressure fault recognition is immediate (does not delay for 30 continuous seconds before de-energizing the compressor).

*High pressure lockout code = 2*

Example: 2 quick flashes, 10 sec pause, 2 quick flashes, 10 sec. pause, etc.

**Low pressure switch:** The low pressure switch must be open and remain open for 30 continuous seconds during “on” cycle to be recognized as a low pressure fault. If the low pressure switch is open for 30 seconds prior to compressor power up it will be considered a low pressure (loss of charge) fault. The low pressure switch input is bypassed for the initial 60 seconds of a compressor run cycle.

*Low pressure lockout code = 3*

**Water coil low temperature (FP1):** The FP1 thermistor temperature must be below the selected low temperature limit setting for 30 continuous seconds during a compressor run cycle to be recognized as a FP1 fault. The FP1 input is bypassed for the initial 120 seconds of a compressor run cycle. FP1 is set at the factory for one try. Therefore, the control will go into lockout mode once the FP1 fault has occurred.

*FP1 lockout code = 4*

**Air coil low temperature (FP2):** The FP2 thermistor temperature must be below the selected low temperature limit setting for 30 continuous seconds during a compressor run cycle to be recognized as a FP2

fault. The FP2 input is bypassed for the initial 120 seconds of a compressor run cycle. FP2 is set at the factory for one try. Therefore, the control will go into lockout mode once the FP2 fault has occurred.

*FP2 lockout code = 5*

**Condensate overflow:** The condensate overflow sensor must sense overflow level for 30 continuous seconds to be recognized as a CO fault. Condensate overflow will be monitored at all times.

*CO lockout code = 6*

**Over/under voltage shutdown:** An over/under voltage condition exists when the control voltage is outside the range of 18VAC to 31.5VAC. Over/under voltage shut down is a self-resetting safety. If the voltage comes back within range for at least 0.5 seconds, normal operation is restored. This is not considered a fault or lockout. If the CXM is in over/under voltage shutdown for 15 minutes, the alarm relay will close.

*Over/under voltage shut down code = 7*

**Unit Performance Sentinel-UPS (patent pending):** The UPS feature indicates when the heat pump is operating inefficiently. A UPS condition exists when:

- In heating mode with compressor energized, FP2 is greater than 125°F [52°C] for 30 continuous seconds, or:
- In cooling mode with compressor energized, FP1 is greater than 125°F [52°C] for 30 continuous seconds, or:
- In cooling mode with compressor energized, FP2 is less than 40°F [4.5°C] for 30 continuous seconds. If a UPS condition occurs, the control will immediately go to UPS warning. The status LED will remain on as if the control is in normal mode. Outputs of the control, excluding LED and alarm relay, will NOT be affected by UPS. The UPS condition cannot occur during a compressor off cycle. During UPS warning, the alarm relay will cycle on and off. The cycle rate will be “on” for 5 seconds, “off” for 25 seconds, “on” for 5 seconds, “off” for 25 seconds, etc.

*UPS warning code = 8*

**Swapped FP1/FP2 thermistors:** During test mode, the control monitors to see if the FP1 and FP2 thermistors are in the appropriate places. If the control is in test mode, the control will lockout, with code 9, after 30 seconds if:

- The compressor is on in the cooling mode and the FP1 sensor is colder than the FP2 sensor, or:
- The compressor is on in the heating mode and the FP2 sensor is colder than the FP1 sensor.

*Swapped FP1/FP2 thermistor code = 9.*

## Diagnostic Features

The LED on the CXM board advises the technician of the current status of the CXM control. The LED can display either the current CXM mode or the last fault in memory if in test mode. If there is no fault in memory, the LED will flash Code 1 (when in test mode).

# CXM Controls

## CXM Control Start-up Operation

The control will not operate until all inputs and safety controls are checked for normal conditions. The compressor will have a 5 minute anti-short cycle delay at power-up. The first time after power-up that there is a call for compressor, the compressor will follow a 5 to 80 second random start delay. After the random start delay and anti-short cycle delay, the compressor relay will be energized. On all subsequent compressor calls, the random start delay is omitted.

**Table 6b: Unit Operation**

T-stat signal	HT
	ECM fan
G	Fan only
G, Y or Y1	Stage 1 heating <sup>1</sup>
G, Y1, Y2	Stage 2 heating <sup>1</sup>
G, Y1, Y2, W	Stage 3 heating <sup>1</sup>
G, W	Emergency heat
G, Y or Y1, O	Stage 1 cooling <sup>2</sup>
G, Y1, Y2, O	Stage 2 cooling <sup>2</sup>

- 1 Stage 1 = 1st stage compressor, 1st stage fan operation  
 Stage 2 = 2nd stage compressor, 2nd stage fan operation  
 Stage 3 = 2nd stage compressor, auxiliary electric heat, 2nd or 3rd stage fan operation (depending on fan settings)
- 2 Stage 1 = 1st stage compressor, 1st stage fan operation, reversing valve  
 Stage 2 = 2nd stage compressor, 2nd stage fan operation, reversing valve
- 3 Stage 1 = compressor, 1st stage fan operation  
 Stage 2 = compressor, 2nd stage fan operation  
 Stage 3 = compressor, auxiliary electric heat, 2nd or 3rd stage fan operation (depending on fan settings)
- 4 Stage 1 = compressor, 1st stage fan operation, reversing valve  
 Stage 2 = compressor, 2nd stage fan operation, reversing valve
- 5 Stage 1 = compressor, fan  
 Stage 2 = compressor, auxiliary electric heat, fan
- 6 Cooling = compressor, fan, reversing valve

# CXM Controls

**Table 7: Nominal resistance at various temperatures**

Temp (°C)	Temp (°F)	Resistance (kOhm)	Temp (°C)	Temp (°F)	Resistance (kOhm)
-17.8	0.0	85.34	55	131.0	2.99
-17.5	0.5	84.00	56	132.8	2.88
-16.9	1.5	81.38	57	134.6	2.77
-12	10.4	61.70	58	136.4	2.67
-11	12.2	58.40	59	138.2	2.58
-10	14.0	55.30	60	140.0	2.49
-9	15.8	52.38	61	141.8	2.40
-8	17.6	49.64	62	143.6	2.32
-7	19.4	47.05	63	145.4	2.23
-6	21.2	44.61	64	147.2	2.16
-5	23.0	42.32	65	149.0	2.08
-4	24.8	40.15	66	150.8	2.01
-3	26.6	38.11	67	152.6	1.94
-2	28.4	36.18	68	154.4	1.88
-1	30.2	34.37	69	156.2	1.81
0	32.0	32.65	70	158.0	1.75
1	33.8	31.03	71	159.8	1.69
2	35.6	29.50	72	161.6	1.64
3	37.4	28.05	73	163.4	1.58
4	39.2	26.69	74	165.2	1.53
5	41.0	25.39	75	167.0	1.48
6	42.8	24.17	76	168.8	1.43
7	44.6	23.02	77	170.6	1.39
8	46.4	21.92	78	172.4	1.34
9	48.2	20.88	79	174.2	1.30
10	50.0	19.90	80	176.0	1.26
11	51.8	18.97	81	177.8	1.22
12	53.6	18.09	82	179.6	1.18
13	55.4	17.26	83	181.4	1.14
14	57.2	16.46	84	183.2	1.10
15	59.0	15.71	85	185.0	1.07
16	60.8	15.00	86	186.8	1.04
17	62.6	14.32	87	188.6	1.01
18	64.4	13.68	88	190.4	0.97
19	66.2	13.07	89	192.2	0.94
20	68.0	12.49	90	194.0	0.92
21	69.8	11.94	91	195.8	0.89
22	71.6	11.42	92	197.6	0.86
23	73.4	10.92	93	199.4	0.84
24	75.2	10.45	94	201.2	0.81
25	77.0	10.00	95	203.0	0.79
26	78.8	9.57	96	204.8	0.76
27	80.6	9.16	97	206.6	0.74
28	82.4	8.78	98	208.4	0.72
29	84.2	8.41	99	210.2	0.70
30	86.0	8.06	100	212.0	0.68
31	87.8	7.72	101	213.8	0.66
32	89.6	7.40	102	215.6	0.64
33	91.4	7.10	103	217.4	0.62
34	93.2	6.81	104	219.2	0.60
35	95.0	6.53	105	221.0	0.59
36	96.8	6.27	106	222.8	0.57
37	98.6	6.01	107	224.6	0.55
38	100.4	5.77	108	226.4	0.54
39	102.2	5.54	109	228.2	0.52
40	104.0	5.33	110	230.0	0.51
41	105.8	5.12	111	231.8	0.50
42	107.6	4.92	112	233.6	0.48
43	109.4	4.72	113	235.4	0.47
44	111.2	4.54	114	237.2	0.46
45	113.0	4.37	115	239.0	0.44
46	114.8	4.20	116	240.8	0.43
47	116.6	4.04	117	242.6	0.42
48	118.4	3.89	118	244.4	0.41
49	120.2	3.74	119	246.2	0.40
50	122.0	3.60	120	248.0	0.39
51	123.8	3.47	121	249.8	0.38
52	125.6	3.34	122	251.6	0.37
53	127.4	3.22	123	253.4	0.36
54	129.2	3.10			

## CXM Thermostat Details

**Thermostat Compatibility** - Most all heat pump thermostats can be used with the CXM control. **However Heat/Cool stats are NOT compatible with the CXM.**

**Anticipation Leakage Current** - Maximum leakage current for "Y" is 50 mA and for "W" is 20mA. Triacs can be used if leakage current is less than above. Thermostats with anticipators can be used if anticipation current is less than that specified above.

## Thermostat Signals -

- "Y" and "W" have a 1 second recognition time when being activated or being removed.
- "O" and "G" are direct pass through signals but are monitored by the micro processor.
- "R" and "C" are from the transformer.
- "AL1" and "AL2" originate from the alarm relay.
- "A" is paralleled with the compressor output for use with well water solenoid valves.
- The "Y" 1/4" quick connect is a connection point to the "Y" input terminal P1 for factory use. This "Y" terminal can be used to drive panel mounted relays such as the loop pump relay.

# Unit Commissioning And Operating Conditions

## Operating Limits

Environment – Units are designed for indoor installation only. Never install units in areas subject to freezing or where humidity levels could cause cabinet condensation (such as unconditioned spaces subject to 100% outside air).

Power Supply – A voltage variation of +/- 10% of nameplate utilization voltage is acceptable.

Determination of operating limits is dependent primarily upon three factors: 1) return air temperature. 2) water temperature, and 3) ambient temperature. When any one of these factors is at minimum or maximum levels, the other two factors should be at normal levels to insure proper unit operation. Extreme variations in temperature and humidity and/or corrosive water or air will adversely affect unit performance, reliability, and service life. Consult Table 8a for operating limits.

**Table 8a: Building Operating Limits**

Operating Limits	HT	
	Cooling	Heating
<b>Air Limits</b>		
Min. ambient air, DB	45°F [7°C]	39°F [4°C]
Rated ambient air, DB	80.6°F [27°C]	68°F [20°C]
Max. ambient air, DB	130°F [54°C]	85°F [29°C]
Min. entering air, DB/WB	65/45°F [18/7°C]	50°F [10°C]
	70/50°F Reheat	
Rated entering air, DB/WB	80.6/66.2°F [27/19°C]	68°F [20°C]
Max. entering air, DB/WB	100/75°F [38/24°C]	80°F [27°C]
<b>Water Limits</b>		
Min. entering water	20°F [-6.7°C]	20°F [-6.7°C]
Normal entering water	50-110°F [10-43°C]	30-70°F [-1 to 21°C]
Max. entering water	120°F [49°C]	120°F [49°C]
<b>Normal Water Flow</b>	1.5 to 3.0 gpm / ton [1.6 to 3.2 l/m per kW]	

## Commissioning Conditions

Consult Table 8b for the particular model. Starting conditions vary depending upon model and are based upon the following notes:

### Notes:

- Conditions in Table 8b are not normal or continuous operating conditions. Minimum/maximum limits are start-up conditions to bring the building space up to occupancy temperatures. Units are not designed to operate under these conditions on a regular basis.
- Voltage utilization range complies with AHRI Standard 110.

**Table 8b: Building Commissioning Limits**

Commissioning Limits	HT	
	Cooling	Heating
<b>Air Limits</b>		
Min. ambient air, DB	45°F [7°C]	39°F [4°C]
Rated ambient air, DB	80.6°F [27°C]	68°F [20°C]
Max. ambient air, DB	130°F [54°C]	85°F [29°C]
Min. entering air, DB/WB	60°F [16°C]	40°F [4.5°C]
Rated entering air, DB/WB	80.6/66.2°F [27/19°C]	68°F [20°C]
Max. entering air, DB/WB	110/83°F [43/28°C]	80°F [27°C]
<b>Water Limits</b>		
Min. entering water	20°F [-6.7°C]	20°F [-6.7°C]
Normal entering water	50-110°F [10-43°C]	30-70°F [-1 to 21°C]
Max. entering water	120°F [49°C]	120°F [49°C]
<b>Normal Water Flow</b>	1.5 to 3.0 gpm / ton [1.6 to 3.2 l/m per kW]	

# Unit Start-Up and Operating Conditions

## Unit and System Checkout

BEFORE POWERING SYSTEM, please check the following:

### UNIT CHECKOUT

- Balancing/shutoff valves: Insure that all isolation valves are open and water control valves are wired.
- Line voltage and wiring: Verify that voltage is within an acceptable range for the unit and wiring and fuses/breakers are properly sized. Verify that low voltage wiring is complete.
- Unit control transformer: Insure that transformer has the properly selected voltage tap. Residential 208-230V units are factory wired for 230V operation unless specified otherwise.
- Loop/water piping is complete and purged of air. Water/piping is clean.
- Antifreeze has been added if necessary.
- Entering water and air: Insure that entering water and air temperatures are within operating limits of Table 8.
- Low water temperature cutout: Verify that low water temperature cut-out on the CXM/CXM control is properly set.
- Unit fan: Manually rotate fan to verify free rotation and insure that blower wheel is secured to the motor shaft. Be sure to remove any shipping supports if needed. DO NOT oil motors upon start-up. Fan motors are pre-oiled at the factory. Check unit fan speed selection and compare to design requirements.
- Condensate line: Verify that condensate line is open and properly pitched toward drain.
- HWG pump is disconnected unless piping is completed and air has been purged from the system.
- Water flow balancing: Record inlet and outlet water temperatures for each heat pump upon startup. This check can eliminate nuisance trip outs and high velocity water flow that could erode heat exchangers.
- Unit air coil and filters: Insure that filter is clean and accessible. Clean air coil of all manufacturing oils.
- Unit controls: Verify that CXM field selection options are properly set. Low voltage wiring is complete.
- Blower speed is set.
- Service/access panels are in place.

### SYSTEM CHECKOUT

- System water temperature: Check water temperature for proper range and also verify heating and cooling set points for proper operation.
- System pH: Check and adjust water pH if necessary to maintain a level between 6 and 8.5. Proper pH promotes longevity of hoses and fittings (see Table 3).
- System flushing: Verify that all air is purged from the system. Air in the system can cause poor operation or system corrosion. Water used in the system must be potable quality initially and clean of dirt, piping slag, and strong chemical cleaning agents. Some antifreeze solutions may require distilled water.
- Flow Controller pump(s): Verify that the pump(s) is wired, purged of air, and in operating condition.
- System controls: Verify that system controls function and operate in the proper sequence.

- Low water temperature cutout: Verify that low water temperature cut-out controls are set properly (FP1 - JW3).
- Miscellaneous: Note any questionable aspects of the installation.

## ▲ CAUTION! ▲

**CAUTION!** Verify that ALL water control valves are open and allow water flow prior to engaging the compressor. Freezing of the coax or water lines can permanently damage the heat pump.

## ▲ CAUTION! ▲

**CAUTION!** To avoid equipment damage, DO NOT leave system filled in a building without heat during the winter unless antifreeze is added to the water loop. Heat exchangers never fully drain by themselves and will freeze unless winterized with antifreeze.

### Unit Start-up Procedure

1. Turn the thermostat fan position to "ON." Blower should start.
2. Balance air flow at registers.
3. Adjust all valves to their full open position. Turn on the line power to all heat pump units.
4. Room temperature should be within the minimum-maximum ranges of Table 8b. During start-up checks, loop water temperature entering the heat pump should be within 30°F [-1°C] and 95°F [35°C].
5. Two factors determine the operating limits of water source heat pumps, (a) return air temperature, and (b) water temperature. When any one of these factors is at a minimum or maximum level, the other factor must be at normal level to insure proper unit operation.
  - a. Adjust the unit thermostat to the warmest setting. Place the thermostat mode switch in the "COOL" position. Slowly reduce thermostat setting until the compressor activates.
  - b. Check for cool air delivery at the unit grille within a few minutes after the unit has begun to operate. Note: Units have a five minute time delay in the control circuit that can be bypassed on the CXM/CXM control board as shown below in Figure 27. See controls description for details.
  - c. Verify that the compressor is on and that the water flow rate is correct by measuring pressure drop through the heat exchanger using the P/T plugs and comparing to Tables 9a through 9b.
  - d. Check the elevation and cleanliness of the condensate lines. Dripping may be a sign of a blocked line. Check that the condensate trap is filled to provide a water seal.
  - e. Refer to Table 10. Check the temperature of both entering and leaving water. If temperature is within range, proceed with the test. If temperature is outside of the operating range, check refrigerant pressures and compare to Tables 11 through 12. Verify correct water flow by comparing unit



## Unit Start-Up Procedure

pressure drop across the heat exchanger versus the data in Tables 9a through 9b. Heat of rejection (HR) can be calculated and compared to catalog data capacity pages. The formula for HR for systems with water is as follows:  $HR = TD \times GPM \times 500$ , where TD is the temperature difference between the entering and leaving water, and GPM is the flow rate in U.S. GPM, determined by comparing the pressure drop across the heat exchanger to Tables 9a through 9b.

- f. Check air temperature drop across the air coil when compressor is operating. Air temperature drop should be between 15°F and 25°F [8°C and 14°C].
  - g. Turn thermostat to "OFF" position. A hissing noise indicates proper functioning of the reversing valve.
6. Allow five (5) minutes between tests for pressure to equalize before beginning heating test.
- a. Adjust the thermostat to the lowest setting. Place the thermostat mode switch in the "HEAT" position.
  - b. Slowly raise the thermostat to a higher temperature until the compressor activates.
  - c. Check for warm air delivery within a few minutes after the unit has begun to operate.
  - d. Refer to Table 10. Check the temperature of both entering and leaving water. If temperature is within range, proceed with the test. If temperature is outside of the operating range, check refrigerant pressures and compare to Tables 11 through 12. Verify correct water flow by comparing unit pressure drop across the heat exchanger versus the data in Tables 9a through 9b. Heat of extraction (HE) can be calculated and compared to submittal data capacity pages. The formula for HE for systems with water is as follows:  
 $HE = TD \times GPM \times 500$ , where TD is the temperature difference between the entering and leaving water, and GPM is the flow rate in U.S. GPM, determined by comparing the pressure drop across the heat exchanger to Tables 9a through 9b.
  - e. Check air temperature rise across the air coil when compressor is operating. Air temperature rise should be between 20°F and 30°F [11°C and 17°C].
  - f. Check for vibration, noise, and water leaks.
7. If unit fails to operate, perform troubleshooting analysis (see troubleshooting section). If the check described fails to reveal the problem and the unit still does not operate, contact a trained service technician to insure proper diagnosis and repair of the equipment.
8. When testing is complete, set system to maintain desired comfort level.
9. BE CERTAIN TO FILL OUT AND RETURN ALL WARRANTY REGISTRATION PAPERWORK.

Note: If performance during any mode appears abnormal, refer to the CXM section or troubleshooting section of this manual. To obtain maximum performance, the air coil should be cleaned before start-up. A 10% solution of dishwasher detergent and water is recommended.

### ⚠ WARNING! ⚠

**WARNING!** When the disconnect switch is closed, high voltage is present in some areas of the electrical panel. Exercise caution when working with energized equipment.

### ⚠ CAUTION! ⚠

**CAUTION!** Verify that ALL water control valves are open and allow water flow prior to engaging the compressor. Freezing of the coax or water lines can permanently damage the heat pump.

# Unit Operating Conditions

**Table 9a: HT Coax Water Pressure Drop**

Model	GPM	Pressure Drop (psi)			
		30°F	50°F	70°F	90°F
024	2.3	0.7	0.4	0.4	0.5
	3.0	1.1	0.7	0.6	0.7
	3.4	1.3	0.9	0.8	0.8
	4.5	2.0	1.4	1.2	1.2
	6.0	3.1	2.3	1.9	1.8
036	3.0	1.5	0.9	0.8	0.9
	4.5	2.6	1.7	1.5	1.5
	6.0	3.8	2.7	2.3	2.2
	6.8	4.5	3.2	2.7	2.6
	9.0	6.9	5.2	4.4	4.1
048	4.5	1.5	0.6	0.5	0.3
	6.0	2.6	1.1	1.0	0.9
	6.8	3.8	1.4	1.3	1.2
	9.0	4.5	2.5	2.3	2.2
	12.0	6.9	4.2	3.8	3.5
060	6.0	0.9	0.2	0.2	0.3
	7.5	1.7	0.9	0.7	0.8
	9.0	2.5	1.5	1.3	1.4
	11.3	3.7	2.6	2.3	2.3
	12.0	4.1	3.0	2.6	2.6
	15.0	6.1	4.7	4.1	4.0
070	7.0	1.4	0.7	0.5	0.7
	8.5	2.2	1.3	1.1	1.2
	10.5	3.3	2.2	1.9	2.0
	12.8	4.6	3.4	3.0	2.9
	14.0	5.4	4.1	3.6	3.5
	17.0	7.6	6.0	5.4	5.2

**Table 10: Water Temperature Change Through Heat Exchanger**

Water Flow, gpm (l/m)	Rise, Cooling °F (°C)	Drop, Heating °F (°C)
For Closed Loop: Ground Source or Closed Loop Systems at 3 gpm per ton (3.9 l/m per kw)	9 - 12	4 - 9
For Open Loop: Ground Water Systems at 1.5 gpm per ton (2.0 l/m per kw)	18 - 24	7 - 19

**Antifreeze Correction Table**

Antifreeze Type	Antifreeze %	Cooling			Heating		WPD Corr. Fct. EWT 30°F
		EWT 90°F			EWT 30°F		
		Total Cap	Sens Cap	Power	Htg Cap	Power	
Water	0	1.000	1.000	1.000	1.000	1.000	1.000
Propylene Glycol	5	0.995	0.995	1.003	0.989	0.997	1.070
	15	0.986	0.986	1.009	0.968	0.990	1.210
	25	0.978	0.978	1.014	0.947	0.983	1.360
Methanol	5	0.997	0.997	1.002	0.989	0.997	1.070
	15	0.990	0.990	1.007	0.968	0.990	1.160
	25	0.982	0.982	1.012	0.949	0.984	1.220
Ethanol	5	0.998	0.998	1.002	0.981	0.994	1.140
	15	0.994	0.994	1.005	0.944	0.983	1.300
	25	0.986	0.986	1.009	0.917	0.974	1.360
Ethylene Glycol	5	0.998	0.998	1.002	0.993	0.998	1.040
	15	0.994	0.994	1.004	0.980	0.994	1.120
	25	0.988	0.988	1.008	0.966	0.990	1.200

# Unit Operating Conditions

**Table 11: HT Series Typical Unit Operating Pressures and Temperatures**

HT024		Full Load Cooling - without HWG active						Full Load Heating - without HWG active					
Entering Water Temp °F	Water Flow GPM/ton	Suction Pressure PSIG	Discharge Pressure PSIG	Superheat	Subcooling	Water Temp Rise °F	Air Temp Drop °F DB	Suction Pressure PSIG	Discharge Pressure PSIG	Superheat	Subcooling	Water Temp Drop °F	Air Temp Rise °F DB
30*	1.5							72-83	273-293	6-11	3-8	5.9-7.9	16-22
	2.25							75-85	275-295	6-11	3-8	4.2-6.2	17-23
	3							78-88	277-297	6-11	3-8	2.7-4.7	18-24
50	1.5	128-138	186-206	18-23	8-13	16.3-18.3	19-25	102-112	302-322	8-12	6-11	8.9-10.9	22-28
	2.25	128-138	172-192	18-23	6-11	12.1-14.1	20-26	106-116	303-323	8-12	6-11	6.7-8.7	23-29
	3	128-138	158-178	18-23	6-11	7.8-9.8	20-26	110-120	305-325	8-12	6-11	4.5-6.5	23-29
70	1.5	136-146	281-301	7-12	7-12	15.7-17.7	19-25	128-138	330-350	10-15	8-13	11.3-13.3	27-34
	2.25	136-146	267-287	7-12	5-10	11.6-13.6	19-25	134-144	332-352	10-15	8-13	8.5-10.5	28-35
	3	136-146	253-273	7-12	4-9	7.6-9.6	19-25	141-151	334-354	10-15	8-13	5.8-7.8	28-35
90	1.5	139-149	368-388	6-11	7-12	14.9-16.9	18-24	162-172	367-387	14-19	10-15	14.4-16.4	33-41
	2.25	139-149	354-374	6-11	5-10	11-13	18-24	166-176	372-392	15-20	10-15	10.8-12.8	34-42
	3	139-149	340-360	6-11	5-10	7.2-9.2	18-24	171-181	377-397	17-22	10-15	7.1-9.1	34-42
110	1.5	143-153	465-485	6-11	7-12	13.9-15.9	17-23						
	2.25	143-153	450-470	6-11	5-10	10.2-12.2	17-23						
	3	143-153	433-453	6-11	5-10	6.5-8.5	17-23						

\*Based on 15% Methanol antifreeze solution

HT036		Full Load Cooling - without HWG active						Full Load Heating - without HWG active					
Entering Water Temp °F	Water Flow GPM/ton	Suction Pressure PSIG	Discharge Pressure PSIG	Superheat	Subcooling	Water Temp Rise °F	Air Temp Drop °F DB	Suction Pressure PSIG	Discharge Pressure PSIG	Superheat	Subcooling	Water Temp Drop °F	Air Temp Rise °F DB
30*	1.5							69-79	293-313	7-12	14-19	8.9-10.9	17-23
	2.25							73-83	297-317	7-12	14-19	6.7-8.7	18-24
	3							76-86	300-320	7-12	14-19	4.5-6.5	19-25
50	1.5	129-139	225-245	15-20	10-15	21.9-23.9	18-24	96-106	322-342	10-15	17-22	12.2-14.2	23-29
	2.25	128-138	211-231	15-20	9-14	16.1-18.1	19-25	100-110	326-346	10-15	17-22	9.3-11.3	24-30
	3	128-138	197-217	15-20	9-14	10.3-12.3	19-25	105-115	331-351	10-15	17-22	6.4-8.4	24-30
70	1.5	136-146	302-322	9-14	13-18	21.5-23.5	18-24	123-133	352-372	11-16	19-24	15-17	28-35
	2.25	135-145	283-303	9-14	12-17	15.8-17.8	19-25	129-139	358-378	11-16	19-24	11.6-13.6	29-36
	3	135-145	265-285	9-14	12-17	10-12	19-25	135-145	364-384	11-16	19-24	8.2-10.2	30-37
90	1.5	140-150	390-410	7-12	13-18	20.5-22.5	17-23	157-167	390-410	13-18	18-23	21-23	36-44
	2.25	140-150	369-389	8-13	8-13	14.9-16.9	17-23	169-179	399-419	13-18	16.5-21.5	15.5-17.5	37-45
	3	140-150	349-369	8-13	8-13	9.3-11.3	17-23	181-191	408-428	14-19	15-20	10.5-12.5	39-47
110	1.5	145-155	488-508	7-12	13-18	19-21	17-23						
	2.25	145-155	467-487	8-13	8-13	14-16	17-23						
	3	145-155	447-467	8-13	8-13	9-11	17-23						

\*Based on 15% Methanol antifreeze solution

HT048		Full Load Cooling - without HWG active						Full Load Heating - without HWG active					
Entering Water Temp °F	Water Flow GPM/ton	Suction Pressure PSIG	Discharge Pressure PSIG	Superheat	Subcooling	Water Temp Rise °F	Air Temp Drop °F DB	Suction Pressure PSIG	Discharge Pressure PSIG	Superheat	Subcooling	Water Temp Drop °F	Air Temp Rise °F DB
30*	1.5							66-76	286-306	7-12	8-13	8-10	18-24
	2.25							69-79	289-309	7-12	9-14	6-8	19-25
	3							72-82	292-312	7-12	9-14	4-6	19-25
50	1.5	125-135	242-262	13-18	10-15	20.9-22.9	19-25	93-103	314-334	8-13	10-15	11.5-13.5	23-29
	2.25	123-133	224-244	13-18	9-14	15.6-17.6	19-25	98-108	320-340	8-13	10-15	8.7-10.7	24-30
	3	122-132	205-225	14-19	7-12	10.2-12.2	19-25	103-113	326-346	8-13	10-15	5.9-7.9	25-31
70	1.5	133-143	310-330	8-13	8-13	20.5-22.5	19-25	123-133	344-364	9-14	9-14	15-17	28-35
	2.25	132-142	290-310	8-13	7-12	15.2-17.2	19-25	130-140	354-374	9-14	9-14	11.5-13.5	29-36
	3	131-141	270-290	9-14	5-10	9.9-11.9	19-25	137-147	361-381	9-14	9-14	7.9-9.9	30-37
90	1.5	138-148	396-416	7-12	7-12	19.2-21.2	18-24	165-175	390-410	13-18	8-13	19.6-21.6	37-45
	2.25	137-147	374-394	7-12	6-11	14.3-16.3	18-24	175-185	401-421	15-20	8-13	15-17	38-46
	3	136-146	352-372	7-12	4-9	9.3-11.3	18-24	185-195	413-433	17-22	8-13	10.3-12.3	39-47
110	1.5	144-154	497-517	7-12	5-10	18-20	17-23						
	2.25	143-153	472-492	7-12	4-9	13.3-15.3	17-23						
	3	142-152	447-467	7-12	3-8	8.5-10.5	17-23						

\*Based on 15% Methanol antifreeze solution

# Unit Operating Conditions

Table 11: HT Series Typical Unit Operating Pressures and Temperatures: Continued

HT060		Full Load Cooling - without HWG active						Full Load Heating - without HWG active					
Entering Water Temp °F	Water Flow GPM/ton	Suction Pressure PSIG	Discharge Pressure PSIG	Superheat	Subcooling	Water Temp Rise °F	Air Temp Drop °F DB	Suction Pressure PSIG	Discharge Pressure PSIG	Superheat	Subcooling	Water Temp Drop °F	Air Temp Rise °F DB
30*	1.5							66-76	282-302	10-16	9-14	8-10	19-25
	2.25							69-79	285-305	10-16	9-14	6-8	19-25
	3							72-82	289-309	10-16	10-15	4-6	20-26
50	1.5	128-138	238-258	16-21	14-19	20.5-22.5	21-27	90-100	310-330	11-17	12-17	11.3-13.3	24-30
	2.25	126-136	222-242	21-26	13-18	14.9-16.9	21-27	95-105	313-333	11-17	12-17	8.5-10.5	25-31
	3	125-135	205-225	26-31	12-17	9.2-11.2	21-27	99-109	316-336	11-17	12-17	5.7-7.7	26-32
70	1.5	135-145	315-335	10-15	14-19	21-23	22-28	115-125	337-357	12-18	14-19	14-16	28-35
	2.25	134-144	296-316	12-17	13-18	15.5-17.5	22-28	120-130	341-361	12-18	14-19	10.6-12.6	29-36
	3	133-143	276-296	15-20	11-16	10-12	22-28	126-136	345-365	12-18	15-20	7.3-9.3	30-37
90	1.5	139-149	408-428	10-15	15-20	20.1-22.1	21-27	157-167	390-410	15-20	14-19	18.2-20.2	37-45
	2.25	138-148	386-406	10-15	13-18	14.8-16.8	21-27	161-171	394-414	15-20	14-19	13.9-15.9	38-46
	3	138-148	364-384	10-15	11-16	9.5-11.5	21-27	166-176	398-418	15-20	15-20	9.6-11.6	39-47
110	1.5	144-154	515-535	8-13	14-19	19-21	20-26						
	2.25	143-153	493-513	8-13	13-18	14-16	20-26						
	3	142-152	469-489	8-13	12-17	9-11	20-26						

\*Based on 15% Methanol antifreeze solution

HT070		Full Load Cooling - without HWG active						Full Load Heating - without HWG active					
Entering Water Temp °F	Water Flow GPM/ton	Suction Pressure PSIG	Discharge Pressure PSIG	Superheat	Subcooling	Water Temp Rise °F	Air Temp Drop °F DB	Suction Pressure PSIG	Discharge Pressure PSIG	Superheat	Subcooling	Water Temp Drop °F	Air Temp Rise °F DB
30*	1.5							61-71	292-312	11-16	13-18	7.2-9.2	19-25
	2.25							65-75	296-316	11-16	14-19	5.4-7.4	20-26
	3							68-78	300-320	10-15	15-20	3.5-5.5	21-27
50	1.5	131-141	210-230	10-15	12-17	18.5-20.5	22-28	89-99	327-347	10-15	19-24	10.9-12.9	26-32
	2.25	130-140	205-225	11-16	12-17	14-16	23-29	98-108	337-357	10-15	14-19	8.3-10.3	28-34
	3	129-139	200-220	13-18	12-17	9.5-11.5	24-30	106-116	348-368	10-15	9-14	5.7-7.7	30-36
70	1.5	135-145	300-320	10-15	15-20	17.6-19.6	23-29	119-129	365-385	10-15	21-26	14.7-16.7	33-39
	2.25	131-141	295-315	11-16	14-19	13.8-15.8	23-29	132-142	380-400	10-15	16-21	11.3-13.3	36-42
	3	128-138	290-310	13-18	14-19	10-12	23-29	144-154	395-415	10-15	11-16	7.9-9.9	38-44
90	1.5	139-149	390-410	10-15	16-21	16.7-18.7	22-28	162-172	418-438	10-15	19-24	19.4-21.4	43-49
	2.25	137-147	370-390	10-15	14-19	12.6-14.6	22-28	172-182	430-450	10-15	19-24	14.7-16.7	45-51
	3	135-145	350-370	10-15	13-18	8.5-10.5	22-28	182-192	444-464	11-16	19-24	10.1-12.1	47-53
110	1.5	145-155	490-510	10-15	16-21	15.9-17.9	20-27						
	2.25	145-155	470-490	10-15	14-19	11.7-13.7	20-27						
	3	144-154	452-472	9-14	13-18	7.4-9	20-27						

\*Based on 15% Methanol antifreeze solution

# Performance Data — HT 024 - Full Load

850 CFM Nominal (ISO Rated) Airflow Cooling, 950 CFM Nominal (ISO Rated) Airflow Heating

Performance capacities shown in thousands of Btuh

EWT °F	Cooling - EAT 80/67°F											Heating - EAT 70°F																					
	GPM	WPD		CFM	TC	SC	kW	EER	HR	LWT	HWC	GPM	WPD		CFM	HC	kW	COP	HE	LAT	LWT	HWC											
		PSI	FT										PSI	FT																			
20	Operation not recommended											6.0	3.7	8.6	820	16.4	1.49	3.2	11.3	88.5	16.2	1.6	6.0	3.7	8.6	950	16.6	1.44	3.4	11.7	86.2	3.9	1.5
	30	3.0	1.1	2.5	730	30.2	20.2	0.95	31.9	33.4	22.7	0.8	3.0	1.1	2.5	820	17.8	1.51	3.5	12.7	90.1	21.6	1.8	3.0	1.1	2.5	950	18.1	1.47	3.6	13.1	87.6	8.7
4.5		2.0	4.6	730	30.2	20.2	0.88	34.2	33.2	15.1	0.7	4.5	2.0	4.6	820	18.6	1.53	3.6	13.4	91.0	24.1	1.9	4.5	2.0	4.6	950	18.9	1.48	3.7	13.8	88.4	6.1	1.9
4.5		2.0	4.6	850	30.7	21.7	0.92	33.6	33.9	15.1	0.7	4.5	2.0	4.6	820	18.6	1.53	3.6	13.4	91.0	24.1	1.9	4.5	2.0	4.6	950	18.9	1.48	3.7	13.8	88.4	6.1	1.9
6.0		3.1	7.1	730	30.1	20.1	0.86	35.2	33.0	11.2	0.6	6.0	3.1	7.1	820	19.0	1.53	3.6	13.8	91.5	25.4	2.0	6.0	3.1	7.1	820	19.0	1.53	3.6	13.8	91.5	25.4	2.0
6.0		3.1	7.1	850	30.7	21.6	0.89	34.6	33.7	11.2	0.7	6.0	3.1	7.1	950	19.3	1.49	3.8	14.2	88.8	4.7	1.9	6.0	3.1	7.1	950	19.3	1.49	3.8	14.2	88.8	4.7	1.9
40	3.0	0.9	2.0	730	29.6	20.1	1.04	28.4	33.2	22.5	1.1	3.0	0.9	2.0	820	20.4	1.56	3.8	15.0	93.0	30.0	2.2	3.0	0.9	2.0	950	20.7	1.51	4.0	15.5	90.1	10.3	2.1
	3.0	0.9	2.0	850	30.1	21.6	1.08	27.9	33.8	22.5	1.1	3.0	0.9	2.0	820	20.4	1.56	3.8	15.0	93.0	30.0	2.2	3.0	0.9	2.0	950	20.7	1.51	4.0	15.5	90.1	10.3	2.1
	4.5	1.6	3.8	730	30.1	20.2	0.97	31.0	33.4	15.1	0.9	4.5	1.6	3.8	820	21.3	1.57	4.0	16.0	94.1	32.9	2.3	4.5	1.6	3.8	820	21.3	1.57	4.0	16.0	94.1	32.9	2.3
	4.5	1.6	3.8	850	30.6	21.8	1.00	30.5	34.0	15.1	0.9	4.5	1.6	3.8	820	21.3	1.57	4.0	16.0	94.1	32.9	2.3	4.5	1.6	3.8	950	21.7	1.53	4.2	16.5	91.1	7.3	2.3
	6.0	2.6	6.0	730	30.2	20.2	0.93	32.3	33.4	11.3	0.8	6.0	2.6	6.0	820	21.9	1.58	4.0	16.5	94.7	34.5	2.4	6.0	2.6	6.0	820	21.9	1.58	4.0	16.5	94.7	34.5	2.4
6.0	2.6	6.0	850	30.7	21.8	0.97	31.7	34.0	11.3	0.8	6.0	2.6	6.0	950	22.2	1.53	4.2	17.0	91.6	5.7	2.3	6.0	2.6	6.0	950	22.2	1.53	4.2	17.0	91.6	5.7	2.3	
50	3.0	0.7	1.6	730	28.7	19.7	1.15	24.9	32.7	22.2	1.4	3.0	0.7	1.6	820	23.1	1.60	4.2	17.6	96.0	38.3	2.6	3.0	0.7	1.6	950	23.4	1.55	4.4	18.1	92.8	12.1	2.5
	3.0	0.7	1.6	850	29.2	21.2	1.20	24.4	33.3	22.2	1.5	3.0	0.7	1.6	820	23.1	1.60	4.2	17.6	96.0	38.3	2.6	3.0	0.7	1.6	950	23.4	1.55	4.4	18.1	92.8	12.1	2.5
	4.5	1.4	3.2	730	29.4	20.0	1.07	27.5	33.1	15.0	1.2	4.5	1.4	3.2	820	24.3	1.62	4.4	18.7	97.4	41.7	2.7	4.5	1.4	3.2	820	24.3	1.62	4.4	18.7	97.4	41.7	2.7
	4.5	1.4	3.2	850	29.9	21.5	1.11	27.0	33.7	15.0	1.2	4.5	1.4	3.2	820	24.3	1.62	4.4	18.7	97.4	41.7	2.7	4.5	1.4	3.2	950	24.6	1.57	4.6	19.3	94.0	8.6	2.6
	6.0	2.3	5.2	730	29.7	20.1	1.03	28.9	33.2	11.3	1.0	6.0	2.3	5.2	820	24.9	1.64	4.5	19.3	98.1	43.6	2.8	6.0	2.3	5.2	820	24.9	1.64	4.5	19.3	98.1	43.6	2.8
6.0	2.3	5.2	850	30.2	21.6	1.07	28.3	33.9	11.3	1.1	6.0	2.3	5.2	950	25.3	1.59	4.7	19.9	94.7	6.6	2.7	6.0	2.3	5.2	950	25.3	1.59	4.7	19.9	94.7	6.6	2.7	
60	3.0	0.7	1.5	730	27.5	19.2	1.28	21.5	31.9	21.7	1.9	3.0	0.7	1.5	820	25.9	1.65	4.6	20.2	99.2	46.5	2.9	3.0	0.7	1.5	950	26.3	1.60	4.8	20.8	95.6	13.9	2.8
	3.0	0.7	1.5	850	28.0	20.7	1.33	21.1	32.5	21.7	1.9	3.0	0.7	1.5	820	25.9	1.65	4.6	20.2	99.2	46.5	2.9	3.0	0.7	1.5	950	26.3	1.60	4.8	20.8	95.6	13.9	2.8
	4.5	1.3	2.9	730	28.4	19.6	1.19	24.0	32.5	14.7	1.5	4.5	1.3	2.9	820	27.3	1.68	4.8	21.6	100.8	50.4	3.1	4.5	1.3	2.9	820	27.3	1.68	4.8	21.6	100.8	50.4	3.1
	4.5	1.3	2.9	850	28.9	21.1	1.23	23.5	33.1	14.7	1.6	4.5	1.3	2.9	820	27.3	1.68	4.8	21.6	100.8	50.4	3.1	4.5	1.3	2.9	950	27.7	1.63	5.0	22.2	97.0	9.9	3.0
	6.0	2.0	4.7	730	28.8	19.8	1.14	25.3	32.7	11.1	1.4	6.0	2.0	4.7	820	28.1	1.69	4.9	22.3	101.7	52.6	3.2	6.0	2.0	4.7	820	28.1	1.69	4.9	22.3	101.7	52.6	3.2
6.0	2.0	4.7	850	29.3	21.3	1.18	24.8	33.4	11.1	1.4	6.0	2.0	4.7	950	28.5	1.64	5.1	22.9	97.8	7.6	3.1	6.0	2.0	4.7	950	28.5	1.64	5.1	22.9	97.8	7.6	3.1	
70	3.0	0.6	1.5	730	26.1	18.7	1.42	18.4	31.0	21.1	2.4	3.0	0.6	1.5	820	28.8	1.70	4.9	22.9	102.5	54.7	3.3	3.0	0.6	1.5	950	29.2	1.65	5.2	23.6	98.5	15.7	3.2
	3.0	0.6	1.5	850	26.6	20.1	1.47	18.0	31.6	21.1	2.4	3.0	0.6	1.5	820	28.8	1.70	4.9	22.9	102.5	54.7	3.3	3.0	0.6	1.5	950	29.2	1.65	5.2	23.6	98.5	15.7	3.2
	4.5	1.2	2.7	730	27.1	19.1	1.32	20.6	31.6	14.3	2.0	4.5	1.2	2.7	820	30.4	1.73	5.1	24.4	104.3	59.1	3.5	4.5	1.2	2.7	820	30.4	1.73	5.1	24.4	104.3	59.1	3.5
	4.5	1.2	2.7	850	27.6	20.5	1.37	20.2	32.3	14.3	2.0	4.5	1.2	2.7	820	30.4	1.73	5.1	24.4	104.3	59.1	3.5	4.5	1.2	2.7	950	30.8	1.68	5.4	25.1	100.0	11.2	3.4
	6.0	1.9	4.4	730	27.6	19.3	1.27	21.8	32.0	10.9	1.8	6.0	1.9	4.4	820	31.2	1.75	5.2	25.3	105.3	61.6	3.6	6.0	1.9	4.4	820	31.2	1.75	5.2	25.3	105.3	61.6	3.6
6.0	1.9	4.4	850	28.1	20.7	1.31	21.4	32.6	10.9	1.9	6.0	1.9	4.4	950	31.7	1.70	5.5	25.9	100.9	8.6	3.5	6.0	1.9	4.4	950	31.7	1.70	5.5	25.9	100.9	8.6	3.5	
80	3.0	0.7	1.5	730	24.6	18.0	1.58	15.6	30.0	20.4	3.0	3.0	0.7	1.5	820	31.6	1.76	5.3	25.6	105.7	62.9	3.6	3.0	0.7	1.5	950	32.1	1.70	5.5	26.3	101.3	17.5	3.5
	3.0	0.7	1.5	850	25.0	19.4	1.64	15.3	30.6	20.4	3.0	3.0	0.7	1.5	820	31.6	1.76	5.3	25.6	105.7	62.9	3.6	3.0	0.7	1.5	950	32.1	1.70	5.5	26.3	101.3	17.5	3.5
	4.5	1.2	2.7	730	25.7	18.5	1.47	17.5	30.7	13.9	2.5	4.5	1.2	2.7	820	33.4	1.79	5.5	27.3	107.7	67.9	3.8	4.5	1.2	2.7	820	33.4	1.79	5.5	27.3	107.7	67.9	3.8
	4.5	1.2	2.7	850	26.1	19.9	1.52	17.2	31.3	13.9	2.6	4.5	1.2	2.7	820	33.4	1.79	5.5	27.3	107.7	67.9	3.8	4.5	1.2	2.7	950	33.9	1.74	5.7	28.0	103.0	12.4	3.7
	6.0	1.8	4.2	730	26.2	18.7	1.41	18.5	31.0	10.6	2.3	6.0	1.8	4.2	820	34.3	1.81	5.6	28.2	108.8	70.6	3.9	6.0	1.8	4.2	820	34.3	1.81	5.6	28.2	108.8	70.6	3.9
6.0	1.8	4.2	850	26.7	20.1	1.46	18.2	31.7	10.6	2.4	6.0	1.8	4.2	950	34.9	1.76	5.8	28.9	104.0	9.6	3.8	6.0	1.8	4.2	950	34.9	1.76	5.8	28.9	104.0	9.6	3.8	
90	3.0	0.7	1.6	730	23.0	17.4	1.76	13.1	29.0	19.8	3.6	3.0	0.7	1.6	820	34.4	1.81	5.6	28.2	108.9	71.2	3.9	3.0	0.7	1.6	950	35.0	1.76	5.8	29.0	104.1	19.3	3.8
	3.0	0.7	1.6	850	24.5	19.2	1.70	14.5	30.3	19.8	3.3	3.0	0.7	1.6	820	34.4	1.81	5.6	28.2	108.9	71.2	3.9	3.0	0.7	1.6	950	35.0	1.76	5.8	29.0	104.1	19.3	3.8
	4.5	1.2	2.7	730	24.1	17.8	1.64	14.7	29.7	13.5	3.2	4.5	1.2	2.7	820	36.3	1.86	5.7	30.0	111.0	76.7	4.2	4.5	1.2	2.7	820	36.3	1.86	5.7	30.0	111.0	76.7	4.2
	4.5	1.2	2.7	850	24.5	19.2	1.70	14.5	30.3	13.5	3.3	4.5	1.2	2.7	820	36.3	1.86	5.7	30.0	111.0	76.7	4.2	4.5	1.2	2.7	950	36.9	1.80	6.0	30.7	105.9	13.7	4.0
	6.0	1.8	4.1	730	24.6	18.0	1.58	15.6	30.0	10.2	3.0	6.0																					

# Performance Data — HT 036 - Full Load

1250 CFM Nominal (ISO Rated) Airflow Cooling, 1250 CFM Nominal (ISO Rated) Airflow Heating Performance capacities shown in thousands of Btu/h

EWT °F	Cooling - EAT 80/67°F										Heating - EAT 70°F																						
	GPM	WPD		CFM	TC	SC	kW	EER	HR	LWT	HWC	GPM	WPD		CFM	HC	kW	COP	HE	LAT	LWT	HWC											
		PSI	FT										PSI	FT																			
20	Operation not recommended										9.0	8.3	19.1	1080	25.6	2.09	3.6	18.5	91.9	15.9	2.1	9.0	8.3	19.1	1250	26.0	2.02	3.8	19.1	89.2	4.2	2.1	
	30	4.5	2.6	6.0	1080	44.8	27.6	1.44	31.1	49.7	22.5	1.1	4.5	2.6	6.0	1080	27.9	2.12	3.9	20.7	93.9	20.8	2.4	4.5	2.6	6.0	1250	28.3	2.05	4.0	21.3	91.0	9.5
6.8		4.5	10.5	1080	44.2	27.4	1.39	31.8	48.9	14.8	0.9	6.8	4.5	10.5	1080	29.2	2.14	4.0	21.9	95.1	23.5	2.6	6.8	4.5	10.5	1250	29.7	2.07	4.2	22.6	92.0	6.7	2.5
6.8		4.5	10.5	1250	44.9	29.5	1.44	31.2	49.9	14.8	0.9	6.8	4.5	10.5	1250	29.7	2.07	4.2	22.6	92.0	6.7	2.5	6.8	4.5	10.5	1080	30.0	2.15	4.1	22.6	95.7	25.0	2.7
9.0		6.9	16.0	1080	43.6	27.3	1.38	31.7	48.3	10.9	0.8	9.0	6.9	16.0	1080	30.0	2.15	4.1	22.6	95.7	25.0	2.7	9.0	6.9	16.0	1250	30.4	2.08	4.3	23.3	92.5	5.2	2.6
9.0		6.9	16.0	1250	44.4	29.3	1.43	31.1	49.3	10.9	0.8	9.0	6.9	16.0	1250	30.4	2.08	4.3	23.3	92.5	5.2	2.6	9.0	6.9	16.0	1080	31.9	2.18	4.3	24.4	97.3	29.1	2.9
40	4.5	2.0	4.7	1080	44.7	27.6	1.54	28.9	49.9	22.6	1.4	4.5	2.0	4.7	1080	31.9	2.18	4.3	24.4	97.3	29.1	2.9	4.5	2.0	4.7	1250	32.4	2.12	4.5	25.2	94.0	11.2	2.9
	4.5	2.0	4.7	1250	45.4	29.6	1.60	28.4	50.9	22.6	1.5	4.5	2.0	4.7	1250	32.4	2.12	4.5	25.2	94.0	11.2	2.9	4.5	2.0	4.7	1080	33.5	2.22	4.4	25.9	98.7	32.3	3.1
	6.8	3.8	8.7	1080	44.8	27.6	1.46	30.7	49.8	15.0	1.1	6.8	3.8	8.7	1080	33.5	2.22	4.4	25.9	98.7	32.3	3.1	6.8	3.8	8.7	1250	34.0	2.15	4.6	26.7	95.2	7.9	3.0
	6.8	3.8	8.7	1250	45.6	29.7	1.51	30.1	50.8	15.0	1.2	6.8	3.8	8.7	1250	34.0	2.15	4.6	26.7	95.2	7.9	3.0	6.8	3.8	8.7	1080	34.4	2.23	4.5	26.7	99.5	34.1	3.2
	9.0	5.9	13.6	1080	44.7	27.6	1.43	31.3	49.6	11.2	1.0	9.0	5.9	13.6	1080	34.4	2.23	4.5	26.7	99.5	34.1	3.2	9.0	5.9	13.6	1250	34.9	2.16	4.7	27.5	95.8	6.1	3.2
9.0	5.9	13.6	1250	45.5	29.7	1.48	30.7	50.5	11.2	1.0	9.0	5.9	13.6	1250	34.9	2.16	4.7	27.5	95.8	6.1	3.2	9.0	5.9	13.6	1080	35.9	2.27	4.6	28.2	100.8	37.5	3.4	
50	4.5	1.7	3.9	1080	43.7	27.3	1.68	26.0	49.5	22.4	1.9	4.5	1.7	3.9	1080	35.9	2.27	4.6	28.2	100.8	37.5	3.4	4.5	1.7	3.9	1250	36.5	2.20	4.9	29.0	97.0	12.9	3.3
	4.5	1.7	3.9	1250	44.5	29.3	1.75	25.5	50.4	22.4	2.0	4.5	1.7	3.9	1250	36.5	2.20	4.9	29.0	97.0	12.9	3.3	4.5	1.7	3.9	1080	37.8	2.31	4.8	29.9	102.4	41.1	3.7
	6.8	3.2	7.5	1080	44.5	27.5	1.57	28.3	49.9	15.1	1.5	6.8	3.2	7.5	1080	37.8	2.31	4.8	29.9	102.4	41.1	3.7	6.8	3.2	7.5	1250	38.4	2.24	5.0	30.7	98.4	9.1	3.6
	6.8	3.2	7.5	1250	45.3	29.6	1.63	27.7	50.8	15.1	1.6	6.8	3.2	7.5	1250	38.4	2.24	5.0	30.7	98.4	9.1	3.6	6.8	3.2	7.5	1080	38.8	2.33	4.9	30.8	103.3	43.1	3.8
	9.0	5.2	11.9	1080	44.7	27.6	1.53	29.3	49.9	11.3	1.4	9.0	5.2	11.9	1080	38.8	2.33	4.9	30.8	103.3	43.1	3.8	9.0	5.2	11.9	1250	39.4	2.26	5.1	31.7	99.2	7.0	3.7
9.0	5.2	11.9	1250	45.5	29.7	1.58	28.8	50.9	11.3	1.4	9.0	5.2	11.9	1250	39.4	2.26	5.1	31.7	99.2	7.0	3.7	9.0	5.2	11.9	1080	40.0	2.36	5.0	31.9	104.3	45.8	3.9	
60	4.5	1.5	3.5	1080	42.2	26.8	1.86	22.7	48.5	22.0	2.6	4.5	1.5	3.5	1080	40.0	2.36	5.0	31.9	104.3	45.8	3.9	4.5	1.5	3.5	1250	40.6	2.29	5.2	32.8	100.1	14.6	3.8
	4.5	1.5	3.5	1250	42.9	28.8	1.93	22.3	49.5	22.0	2.7	4.5	1.5	3.5	1250	40.6	2.29	5.2	32.8	100.1	14.6	3.8	4.5	1.5	3.5	1080	42.1	2.42	5.1	33.9	106.1	50.0	4.2
	6.8	2.9	6.7	1080	43.4	27.2	1.73	25.1	49.3	14.9	2.1	6.8	2.9	6.7	1080	42.1	2.42	5.1	33.9	106.1	50.0	4.2	6.8	2.9	6.7	1250	42.8	2.34	5.4	34.8	101.7	10.3	4.1
	6.8	2.9	6.7	1250	44.1	29.2	1.79	24.7	50.2	14.9	2.1	6.8	2.9	6.7	1250	42.8	2.34	5.4	34.8	101.7	10.3	4.1	6.8	2.9	6.7	1080	43.3	2.44	5.2	34.9	107.1	52.2	4.3
	9.0	4.7	10.8	1080	43.9	27.3	1.67	26.3	49.6	11.2	1.9	9.0	4.7	10.8	1080	43.3	2.44	5.2	34.9	107.1	52.2	4.3	9.0	4.7	10.8	1250	43.9	2.37	5.4	35.8	102.5	8.0	4.2
9.0	4.7	10.8	1250	44.6	29.4	1.73	25.9	50.5	11.2	1.9	9.0	4.7	10.8	1250	43.9	2.37	5.4	35.8	102.5	8.0	4.2	9.0	4.7	10.8	1080	44.1	2.47	5.2	35.7	107.8	54.1	4.4	
70	4.5	1.5	3.4	1080	40.2	26.0	2.06	19.5	47.3	21.4	3.4	4.5	1.5	3.4	1080	44.1	2.47	5.2	35.7	107.8	54.1	4.4	4.5	1.5	3.4	1250	44.8	2.39	5.5	36.6	103.2	16.3	4.3
	4.5	1.5	3.4	1250	40.9	28.0	2.14	19.2	48.2	21.4	3.5	4.5	1.5	3.4	1250	44.8	2.39	5.5	36.6	103.2	16.3	4.3	4.5	1.5	3.4	1080	46.5	2.53	5.4	37.8	109.8	58.8	4.7
	6.8	2.7	6.3	1080	41.7	26.6	1.91	21.8	48.2	14.6	2.8	6.8	2.7	6.3	1080	46.5	2.53	5.4	37.8	109.8	58.8	4.7	6.8	2.7	6.3	1250	47.2	2.45	5.6	38.8	104.9	11.5	4.5
	6.8	2.7	6.3	1250	42.4	28.6	1.98	21.4	49.2	14.6	2.9	6.8	2.7	6.3	1250	47.2	2.45	5.6	38.8	104.9	11.5	4.5	6.8	2.7	6.3	1080	47.8	2.56	5.5	39.0	111.0	61.3	4.8
	9.0	4.4	10.1	1080	42.4	26.8	1.84	23.0	48.6	11.0	2.5	9.0	4.4	10.1	1080	47.8	2.56	5.5	39.0	111.0	61.3	4.8	9.0	4.4	10.1	1250	48.5	2.48	5.7	40.0	105.9	8.9	4.7
9.0	4.4	10.1	1250	43.1	28.8	1.91	22.6	49.6	11.0	2.6	9.0	4.4	10.1	1250	48.5	2.48	5.7	40.0	105.9	8.9	4.7	9.0	4.4	10.1	1080	48.2	2.58	5.5	39.4	111.3	62.5	4.9	
80	4.5	1.5	3.4	1080	38.0	25.2	2.29	16.6	45.8	20.8	4.3	4.5	1.5	3.4	1080	48.2	2.58	5.5	39.4	111.3	62.5	4.9	4.5	1.5	3.4	1250	49.0	2.50	5.7	40.4	106.3	18.0	4.7
	4.5	1.5	3.4	1250	38.6	27.1	2.37	16.3	46.7	20.8	4.4	4.5	1.5	3.4	1250	49.0	2.50	5.7	40.4	106.3	18.0	4.7	4.5	1.5	3.4	1080	50.9	2.65	5.6	41.8	113.6	67.6	5.2
	6.8	2.7	6.2	1080	39.6	25.8	2.13	18.6	46.8	14.2	3.6	6.8	2.7	6.2	1080	50.9	2.65	5.6	41.8	113.6	67.6	5.2	6.8	2.7	6.2	1250	51.6	2.56	5.9	42.9	108.2	12.7	5.0
	6.8	2.7	6.2	1250	40.3	27.7	2.20	18.3	47.8	14.2	3.7	6.8	2.7	6.2	1250	51.6	2.56	5.9	42.9	108.2	12.7	5.0	6.8	2.7	6.2	1080	52.3	2.69	5.7	43.1	114.8	70.4	5.3
	9.0	4.2	9.7	1080	40.4	26.1	2.05	19.7	47.4	10.7	3.3	9.0	4.2	9.7	1080	52.3	2.69	5.7	43.1	114.8	70.4	5.3	9.0	4.2	9.7	1250	53.1	2.60	6.0	44.2	109.3	9.8	5.2
9.0	4.2	9.7	1250	41.1	28.1	2.12	19.4	48.3	10.7	3.4	9.0	4.2	9.7	1250	53.1	2.60	6.0	44.2	109.3	9.8	5.2	9.0	4.2	9.7	1080	52.4	2.69	5.7	43.2	114.9	70.8	5.3	
90	4.5	1.5	3.5	1080	35.6	24.1	2.54	14.0	44.3	20.1	5.3	4.5	1.5	3.5	1080	52.4	2.69	5.7	43.2	114.9	70.8	5.3	4.5	1.5	3.5	1250	53.2	2.60	6.0	44.3	109.4	19.7	5.2
	4.5	1.5	3.5	1250	37.9	26.7	2.45	15.4	46.2	20.1	4.7	4.5	1.5	3.5	1250	53.2	2.60	6.0	44.3	109.4	19.7	5.2	4.5	1.5	3.5	1080	55.3	2.76	5.9	45.8	117.4	76.4	5.6
	6.8	2.6	6.1	1080	37.2	24.9	2.37	15.7	45.3	13.7	4.6	6.8	2.6	6.1	1080	55.3	2.76	5.9	45.8	117.4	76.4	5.6	6.8	2.6	6.1	1250	56.1	2.68	6.1	47.0	111.6	13.9	5.5
	6.8	2.6	6.1	1250	37.9	26.7	2.45	15.4	46.2	13.7	4.7	6.8	2.6	6.1	1250	56.1	2.																

# Performance Data — HT 048 - Full Load

1550 CFM Nominal (ISO Rated) Airflow Cooling, 1650 CFM Nominal (ISO Rated) Airflow Heating Performance capacities shown in thousands of Btuh

EWT °F	Cooling - EAT 80/67°F										Heating - EAT 70°F											
	GPM	WPD		CFM	TC	SC	kW	EER	HR	LWT	HWC	GPM	WPD		CFM	HC	kW	COP	HE	LAT	LWT	HWC
		PSI	FT										PSI	FT								
20	Operation not recommended										12.0	5.2	12.1	1430	33.0	2.94	3.3	23.0	91.4	16.2	3.4	
	Operation not recommended										12.0	5.2	12.1	1650	33.5	2.85	3.4	23.8	88.8	4.0	3.3	
30	6.0	1.2	2.8	1330	58.6	39.7	1.89	31.0	65.0	22.1	1.8	6.0	1.2	2.8	1430	35.6	3.03	3.4	25.2	93.0	21.6	3.6
	6.0	1.2	2.8	1550	59.6	42.6	1.96	30.4	66.3	22.1	1.8	6.0	1.2	2.8	1650	36.1	2.94	3.6	26.1	90.3	8.7	3.5
	9.0	2.7	6.4	1330	58.4	40.7	1.78	32.8	64.5	14.6	1.8	9.0	2.7	6.4	1430	36.9	3.07	3.5	26.5	93.9	24.1	3.6
	9.0	2.7	6.4	1550	59.4	43.8	1.85	32.2	65.7	14.6	1.8	9.0	2.7	6.4	1650	37.5	2.98	3.7	27.3	91.0	6.1	3.5
	12.0	4.7	10.8	1330	58.0	41.3	1.73	33.5	64.0	10.9	1.8	12.0	4.7	10.8	1430	37.7	3.10	3.6	27.1	94.4	25.5	3.7
	12.0	4.7	10.8	1550	59.0	44.4	1.80	32.9	65.2	10.9	1.9	12.0	4.7	10.8	1650	38.3	3.00	3.7	28.1	91.5	4.7	3.6
40	6.0	1.0	2.3	1330	57.8	38.4	2.06	28.1	64.8	22.0	2.0	6.0	1.0	2.3	1430	40.3	3.17	3.7	29.5	96.1	30.2	3.8
	6.0	1.0	2.3	1550	58.8	41.3	2.13	27.6	66.1	22.0	2.0	6.0	1.0	2.3	1650	40.9	3.07	3.9	30.4	93.0	10.1	3.7
	9.0	2.4	5.6	1330	58.5	39.3	1.93	30.3	65.1	14.7	1.8	9.0	2.4	5.6	1430	42.1	3.21	3.8	31.2	97.3	33.1	3.9
	9.0	2.4	5.6	1550	59.5	42.3	2.00	29.7	66.3	14.7	1.9	9.0	2.4	5.6	1650	42.8	3.11	4.0	32.1	94.0	7.1	3.8
	12.0	4.2	9.7	1330	58.6	39.8	1.87	31.3	65.0	11.0	1.8	12.0	4.2	9.7	1430	43.1	3.24	3.9	32.1	97.9	34.7	4.0
	12.0	4.2	9.7	1550	59.6	42.8	1.94	30.7	66.2	11.0	1.8	12.0	4.2	9.7	1650	43.8	3.14	4.1	33.1	94.6	5.5	3.9
50	6.0	0.9	2.0	1330	56.1	37.4	2.25	24.9	63.8	21.7	2.3	6.0	0.9	2.0	1430	45.5	3.30	4.0	34.3	99.5	38.6	4.1
	6.0	0.9	2.0	1550	57.1	40.2	2.33	24.4	65.0	21.7	2.4	6.0	0.9	2.0	1650	46.2	3.20	4.2	35.3	95.9	11.8	4.0
	9.0	2.2	5.1	1330	57.4	38.1	2.11	27.2	64.6	14.6	2.0	9.0	2.2	5.1	1430	47.8	3.35	4.2	36.4	101.0	41.9	4.3
	9.0	2.2	5.1	1550	58.4	41.0	2.18	26.7	65.9	14.6	2.1	9.0	2.2	5.1	1650	48.5	3.25	4.4	37.5	97.2	8.3	4.1
	12.0	3.9	9.0	1330	57.9	38.5	2.04	28.4	64.9	11.0	1.9	12.0	3.9	9.0	1430	49.1	3.38	4.3	37.5	101.8	43.7	4.3
	12.0	3.9	9.0	1550	58.9	41.4	2.11	27.9	66.1	11.0	2.0	12.0	3.9	9.0	1650	49.8	3.28	4.5	38.7	98.0	6.4	4.2
60	6.0	0.8	1.9	1330	53.7	36.5	2.48	21.7	62.2	21.1	2.9	6.0	0.8	1.9	1430	51.1	3.43	4.4	39.4	103.1	46.9	4.5
	6.0	0.8	1.9	1550	54.7	39.2	2.57	21.3	63.4	21.1	2.9	6.0	0.8	1.9	1650	51.9	3.33	4.6	40.5	99.1	13.5	4.3
	9.0	2.0	4.7	1330	55.5	37.1	2.31	24.0	63.4	14.4	2.5	9.0	2.0	4.7	1430	53.8	3.50	4.5	41.9	104.9	50.7	4.7
	9.0	2.0	4.7	1550	56.4	39.9	2.40	23.6	64.6	14.4	2.5	9.0	2.0	4.7	1650	54.7	3.39	4.7	43.1	100.7	9.6	4.5
	12.0	3.6	8.4	1330	56.3	37.5	2.24	25.2	63.9	10.9	2.3	12.0	3.6	8.4	1430	55.4	3.54	4.6	43.3	105.9	52.8	4.8
	12.0	3.6	8.4	1550	57.2	40.3	2.32	24.7	65.1	10.9	2.3	12.0	3.6	8.4	1650	56.2	3.43	4.8	44.5	101.5	7.4	4.6
70	6.0	0.8	1.8	1330	51.0	35.6	2.73	18.7	60.3	20.5	3.6	6.0	0.8	1.8	1430	56.9	3.57	4.7	44.7	106.8	55.1	4.9
	6.0	0.8	1.8	1550	51.8	38.2	2.83	18.3	61.5	20.5	3.7	6.0	0.8	1.8	1650	57.7	3.46	4.9	45.9	102.4	15.3	4.7
	9.0	2.0	4.5	1330	52.9	36.2	2.55	20.8	61.6	14.0	3.1	9.0	2.0	4.5	1430	60.0	3.66	4.8	47.6	108.9	59.4	5.1
	9.0	2.0	4.5	1550	53.9	38.9	2.64	20.4	62.9	14.0	3.1	9.0	2.0	4.5	1650	61.0	3.54	5.0	48.9	104.2	10.9	5.0
	12.0	3.5	8.1	1330	53.9	36.5	2.46	21.9	62.3	10.6	2.8	12.0	3.5	8.1	1430	61.8	3.71	4.9	49.1	110.0	61.8	5.2
	12.0	3.5	8.1	1550	54.8	39.3	2.55	21.5	63.5	10.6	2.9	12.0	3.5	8.1	1650	62.7	3.59	5.1	50.5	105.2	8.4	5.1
80	6.0	0.8	1.8	1330	47.9	34.6	3.02	15.8	58.2	19.8	4.5	6.0	0.8	1.8	1430	62.7	3.73	4.9	50.0	110.6	63.3	5.3
	6.0	0.8	1.8	1550	48.7	37.2	3.13	15.5	59.4	19.8	4.5	6.0	0.8	1.8	1650	63.7	3.62	5.2	51.3	105.7	17.1	5.2
	9.0	1.9	4.4	1330	50.0	35.3	2.82	17.7	59.6	13.5	3.8	9.0	1.9	4.4	1430	66.2	3.84	5.1	53.1	112.9	68.2	5.6
	9.0	1.9	4.4	1550	50.8	37.9	2.92	17.4	60.8	13.5	3.9	9.0	1.9	4.4	1650	67.2	3.72	5.3	54.5	107.7	12.1	5.4
	12.0	3.4	7.8	1330	51.0	35.6	2.72	18.7	60.3	10.3	3.6	12.0	3.4	7.8	1430	68.1	3.90	5.1	54.8	114.1	70.9	5.8
	12.0	3.4	7.8	1550	51.9	38.3	2.82	18.4	61.5	10.3	3.6	12.0	3.4	7.8	1650	69.2	3.78	5.4	56.3	108.8	9.4	5.6
90	6.0	0.8	1.9	1330	44.7	33.4	3.36	13.3	56.2	19.1	5.5	6.0	0.8	1.9	1430	68.5	3.91	5.1	55.1	114.3	71.6	5.8
	6.0	0.8	1.9	1550	47.6	36.8	3.25	14.6	58.7	19.1	4.9	6.0	0.8	1.9	1650	69.5	3.79	5.4	56.6	109.0	18.9	5.6
	9.0	1.9	4.4	1330	46.8	34.2	3.14	14.9	57.5	13.0	4.8	9.0	1.9	4.4	1430	72.2	4.05	5.2	58.4	116.8	77.0	6.2
	9.0	1.9	4.4	1550	47.6	36.8	3.25	14.6	58.7	13.0	4.9	9.0	1.9	4.4	1650	73.3	3.92	5.5	60.0	111.2	13.3	6.0
	12.0	3.3	7.7	1330	47.9	34.6	3.03	15.8	58.2	9.9	4.5	12.0	3.3	7.7	1430	74.2	4.13	5.3	60.1	118.1	80.0	6.4
	12.0	3.3	7.7	1550	48.7	37.2	3.14	15.5	59.4	9.9	4.6	12.0	3.3	7.7	1650	75.4	4.00	5.5	61.7	112.3	10.3	6.2
100	6.0	0.8	1.9	1330	41.6	32.2	3.75	11.1	54.4	18.5	6.7	Operation not recommended										
	6.0	0.8	1.9	1550	42.4	34.6	3.88	10.9	55.6	18.5	6.9											
	9.0	1.9	4.3	1330	43.6	33.0	3.50	12.5	55.5	12.6	5.9											
	9.0	1.9	4.3	1550	44.3	35.5	3.62	12.2	56.7	12.6	6.1											
	12.0	3.3	7.6	1330	44.6	33.4	3.38	13.2	56.1	9.6	5.6											
	12.0	3.3	7.6	1550	45.4	35.9	3.50	13.0	57.3	9.6	5.7											
110	6.0	0.8	1.8	1330	38.8	30.9	4.19	9.2	53.1	18.1	8.2	Operation not recommended										
	6.0	0.8	1.8	1550	39.5	33.2	4.35	9.1	54.3	18.1	8.4											
	9.0	1.8	4.3	1330	40.5	31.7	3.91	10.3	53.8	12.2	7.3											
	9.0	1.8	4.3	1550	41.2	34.1	4.06	10.2	55.0	12.2	7.4											
	12.0	3.3	7.5	1330	41.4	32.1	3.78	11.0	54.3	9.2	6.8											
	12.0	3.3	7.5	1550	42.1	34.5	3.92	10.8	55.5	9.2	7.0											
120	6.0	0.7	1.6	1330	36.4	29.6	4.71	7.7	52.5	17.9	9.9	Operation not recommended										
	6.0	0.7	1.6	1550	37.0	31.8	4.88	7.6	53.7	17.9	10.1											
	9.0	1.8	4.1	1330	37.8	30.4	4.39	8.6	52.7	12.0	8.8											
	9.0	1.8	4.1	1550	38.4	32.6	4.55	8.4	53.9	12.0	9.0											
	12.0	3.2	7.4	1330	38.5	30.8	4.24	9.1	53.0	9.0	8.3											
	12.0	3.2	7.4	1550	39.2	33.1	4.39	8.9	54.2	9.0	8.5											

Interpolation is permissible; extrapolation is not.  
 All entering air conditions are 80°F DB and 67°F WB in cooling, and 70°F DB in heating.  
 AHR/ISO certified conditions are 80.6°F DB and 66.2°F WB in cooling and 68°F DB in heating.  
 Table does not reflect fan or pump power corrections for AHR/ISO conditions.  
 All performance is based upon the lower voltage of dual voltage rated units.

Operation below 40°F EWT is based upon a 15% methanol antifreeze solution.  
 Operation below 60°F EWT requires optional insulated water/refrigerant circuit.  
 See performance correction tables for operating conditions other than those listed above.  
 For operation in the shaded areas, please see the Performance Data Selection Notes.

# Performance Data — HT 060 - Full Load

1825 CFM Nominal (ISO Rated) Airflow Cooling, 2050 CFM Nominal (ISO Rated) Airflow Heating Performance capacities shown in thousands of Btuh

EWT °F	Cooling - EAT 80/67°F										Heating - EAT 70°F																						
	GPM	WPD		CFM	TC	SC	kW	EER	HR	LWT	HWC	GPM	WPD		CFM	HC	kW	COP	HE	LAT	LWT	HWC											
		PSI	FT										PSI	FT																			
20	Operation not recommended										15.0	7.3	16.8	1750	42.8	3.89	3.2	29.5	92.6	16.1	4.0	15.0	7.3	16.8	2050	43.4	3.77	3.4	30.6	89.6	4.1	3.8	
	30	7.5	1.7	3.9	1590	75.3	49.7	2.68	28.1	84.4	22.9	1.9	7.5	1.7	3.9	1750	46.9	3.95	3.5	33.4	94.8	21.1	4.1	7.5	1.7	3.9	2050	47.6	3.82	3.6	34.5	91.5	9.2
7.5		1.7	3.9	1850	76.6	53.4	2.78	27.5	86.1	22.9	2.0	11.3	3.7	8.6	1750	49.1	3.98	3.6	35.6	96.0	23.7	4.2	11.3	3.7	8.6	2050	49.9	3.86	3.8	36.7	92.5	6.5	4.1
11.3		3.7	8.6	1590	74.2	50.5	2.53	29.3	82.9	11.3	1.8	15.0	6.1	14.1	1750	50.4	4.00	3.7	36.7	96.7	25.1	4.2	15.0	6.1	14.1	2050	51.2	3.88	3.9	37.9	93.1	5.1	4.1
11.3		3.7	8.6	1850	75.5	54.3	2.62	28.8	84.5	11.3	1.8	15.0	6.1	14.1	1750	50.4	4.00	3.7	36.7	96.7	25.1	4.2	15.0	6.1	14.1	2050	51.2	3.88	3.9	37.9	93.1	5.1	4.1
15.0		6.1	14.1	1590	74.4	48.8	2.86	26.0	84.2	22.9	2.3	15.0	6.1	14.1	1750	50.4	4.00	3.7	36.7	96.7	25.1	4.2	15.0	6.1	14.1	2050	51.2	3.88	3.9	37.9	93.1	5.1	4.1
40	7.5	1.2	2.7	1590	74.4	48.8	2.86	26.0	84.2	22.9	2.3	7.5	1.2	2.7	1750	53.9	4.06	3.9	40.0	98.5	29.3	4.4	7.5	1.2	2.7	2050	54.7	3.94	4.1	41.3	94.7	11.0	4.2
	7.5	1.2	2.7	1850	75.7	52.5	2.97	25.5	85.8	22.9	2.3	11.3	3.0	7.0	1750	56.7	4.12	4.0	42.7	100.0	32.4	4.5	11.3	3.0	7.0	2050	57.6	3.99	4.2	44.0	96.0	7.8	4.4
	11.3	3.0	7.0	1590	75.2	49.5	2.72	27.6	84.5	15.3	2.0	15.0	5.3	12.2	1750	58.3	4.15	4.1	44.1	100.8	34.1	4.6	15.0	5.3	12.2	2050	59.2	4.02	4.3	45.5	96.7	6.1	4.4
	11.3	3.0	7.0	1850	76.5	53.2	2.82	27.1	86.1	15.3	2.0	15.0	5.3	12.2	1750	58.3	4.15	4.1	44.1	100.8	34.1	4.6	15.0	5.3	12.2	2050	59.2	4.02	4.3	45.5	96.7	6.1	4.4
	15.0	5.3	12.2	1590	75.3	49.8	2.66	28.3	84.3	11.5	1.9	15.0	5.3	12.2	1750	58.3	4.15	4.1	44.1	100.8	34.1	4.6	15.0	5.3	12.2	2050	59.2	4.02	4.3	45.5	96.7	6.1	4.4
50	7.5	0.9	2.0	1590	72.4	47.8	3.08	23.5	82.9	22.5	2.8	7.5	0.9	2.0	1750	61.1	4.21	4.3	46.8	102.4	37.5	4.7	7.5	0.9	2.0	2050	62.1	4.08	4.5	48.2	98.0	12.8	4.6
	7.5	0.9	2.0	1850	73.6	51.4	3.20	23.0	84.5	22.5	2.9	11.3	2.6	6.0	1750	64.5	4.28	4.4	49.9	104.1	41.1	4.9	11.3	2.6	6.0	2050	65.5	4.15	4.6	51.3	99.6	9.1	4.7
	11.3	2.6	6.0	1590	74.0	48.6	2.91	25.4	84.0	15.2	2.4	15.0	4.7	10.8	1750	66.3	4.32	4.5	51.6	105.1	43.1	5.0	15.0	4.7	10.8	2050	67.3	4.19	4.7	53.0	100.4	7.1	4.8
	11.3	2.6	6.0	1850	75.3	52.2	3.02	25.0	85.6	15.2	2.5	15.0	4.7	10.8	1750	66.3	4.32	4.5	51.6	105.1	43.1	5.0	15.0	4.7	10.8	2050	67.3	4.19	4.7	53.0	100.4	7.1	4.8
	15.0	4.7	10.8	1590	74.6	48.9	2.83	26.3	84.3	11.5	2.2	15.0	4.7	10.8	1750	66.3	4.32	4.5	51.6	105.1	43.1	5.0	15.0	4.7	10.8	2050	67.3	4.19	4.7	53.0	100.4	7.1	4.8
60	7.5	0.7	1.7	1590	69.5	46.7	3.35	20.7	81.0	22.0	3.5	7.5	0.7	1.7	1750	68.5	4.37	4.6	53.6	106.2	45.7	5.1	7.5	0.7	1.7	2050	69.5	4.24	4.8	55.1	101.4	14.7	5.0
	7.5	0.7	1.7	1850	70.7	50.3	3.47	20.4	82.6	22.0	3.6	11.3	2.4	5.4	1750	72.3	4.46	4.7	57.1	108.3	49.9	5.3	11.3	2.4	5.4	2050	73.4	4.33	5.0	58.6	103.2	10.4	5.2
	11.3	2.4	5.4	1590	71.7	47.6	3.15	22.8	82.5	15.0	3.0	15.0	4.3	10.0	1750	74.4	4.52	4.8	59.0	109.4	52.1	5.5	15.0	4.3	10.0	2050	75.5	4.38	5.1	60.6	104.1	8.1	5.3
	11.3	2.4	5.4	1850	73.0	51.1	3.26	22.4	84.1	15.0	3.1	15.0	4.3	10.0	1750	74.4	4.52	4.8	59.0	109.4	52.1	5.5	15.0	4.3	10.0	2050	75.5	4.38	5.1	60.6	104.1	8.1	5.3
	15.0	4.3	10.0	1590	72.7	48.0	3.05	23.8	83.1	11.3	2.8	15.0	4.3	10.0	1750	74.4	4.52	4.8	59.0	109.4	52.1	5.5	15.0	4.3	10.0	2050	75.5	4.38	5.1	60.6	104.1	8.1	5.3
70	7.5	0.7	1.7	1590	66.1	45.5	3.67	18.0	78.7	21.4	4.4	7.5	0.7	1.7	1750	75.8	4.55	4.9	60.3	110.1	53.9	5.6	7.5	0.7	1.7	2050	77.0	4.41	5.1	61.9	104.8	16.5	5.4
	7.5	0.7	1.7	1850	67.3	48.9	3.81	17.7	80.3	21.4	4.5	11.3	2.3	5.2	1750	80.1	4.67	5.0	64.2	112.4	58.6	5.8	11.3	2.3	5.2	2050	81.3	4.52	5.3	65.9	106.7	11.7	5.7
	11.3	2.3	5.2	1590	68.6	46.4	3.43	20.0	80.4	14.6	3.8	15.0	4.1	9.5	1750	82.4	4.73	5.1	66.3	113.6	61.2	6.0	15.0	4.1	9.5	2050	83.7	4.59	5.3	68.0	107.8	9.1	5.8
	11.3	2.3	5.2	1850	69.8	49.9	3.56	19.6	82.0	14.6	3.8	15.0	4.1	9.5	1750	82.4	4.73	5.1	66.3	113.6	61.2	6.0	15.0	4.1	9.5	2050	83.7	4.59	5.3	68.0	107.8	9.1	5.8
	15.0	4.1	9.5	1590	69.9	46.9	3.32	21.0	81.2	11.0	3.5	15.0	4.1	9.5	1750	82.4	4.73	5.1	66.3	113.6	61.2	6.0	15.0	4.1	9.5	2050	83.7	4.59	5.3	68.0	107.8	9.1	5.8
80	7.5	0.8	1.8	1590	62.5	44.1	4.05	15.4	76.3	20.8	5.5	7.5	0.8	1.8	1750	83.1	4.75	5.1	66.9	114.0	62.2	6.1	7.5	0.8	1.8	2050	84.4	4.61	5.4	68.7	108.1	18.3	5.9
	7.5	0.8	1.8	1850	63.5	47.5	4.19	15.1	77.8	20.8	5.6	11.3	2.2	5.2	1750	87.8	4.89	5.3	71.1	116.4	67.4	6.4	11.3	2.2	5.2	2050	89.1	4.74	5.5	73.0	110.3	13.0	6.2
	11.3	2.2	5.2	1590	65.1	45.1	3.78	17.2	78.0	14.1	4.7	15.0	4.1	9.4	1750	90.3	4.97	5.3	73.4	117.8	70.2	6.6	15.0	4.1	9.4	2050	91.7	4.81	5.6	75.3	111.4	10.0	6.4
	11.3	2.2	5.2	1850	66.2	48.5	3.91	16.9	79.6	14.1	4.8	15.0	4.1	9.4	1750	90.3	4.97	5.3	73.4	117.8	70.2	6.6	15.0	4.1	9.4	2050	91.7	4.81	5.6	75.3	111.4	10.0	6.4
	15.0	4.1	9.4	1590	66.4	45.6	3.65	18.2	78.8	10.7	4.3	15.0	4.1	9.4	1750	90.3	4.97	5.3	73.4	117.8	70.2	6.6	15.0	4.1	9.4	2050	91.7	4.81	5.6	75.3	111.4	10.0	6.4
90	7.5	0.8	2.0	1590	58.7	42.6	4.49	13.1	74.0	20.2	6.7	7.5	0.8	2.0	1750	90.3	4.97	5.3	73.3	117.8	70.4	6.6	7.5	0.8	2.0	2050	91.7	4.81	5.6	75.2	111.4	20.1	6.4
	7.5	0.8	2.0	1850	62.3	47.0	4.33	14.4	77.1	20.2	5.9	11.3	2.3	5.2	1750	95.2	5.12	5.4	77.8	120.4	76.2	7.1	11.3	2.3	5.2	2050	96.7	4.96	5.7	79.7	113.7	14.2	6.9
	11.3	2.3	5.2	1590	61.3	43.7	4.18	14.7	75.5	13.7	5.8	15.0	4.0	9.3	1750	97.9	5.21	5.5	80.1	121.8	79.3	7.3	15.0	4.0	9.3	2050	99.4	5.05	5.8	82.1	114.9	11.0	7.1
	11.3	2.3	5.2	1850	62.3	47.0	4.33	14.4	77.1	13.7	5.9	15.0	4.0	9.3	1750	97.9	5.21	5.5	80.1	121.8	79.3	7.3	15.0	4.0	9.3	2050	99.4	5.05	5.8	82.1	114.9	11.0	7.1
	15.0	4.0	9.3	1590	62.6	44.2	4.03	15.5	76.4	10.4	5.4	15.0	4.0	9.3	1750	97.9	5.21	5.5	80.1	121.8	79.3	7.3	15.0	4.0	9.3	2050	99.4	5.05	5.8	82.1	114.9	11.0	7.1
100	7.5	0.9	2.0	1590	55.2	41.1	5.00	11.0	72.3	19.7	8.1	Operation not recommended																					
	7.5	0.9	2.0	1850	56.2	44.2	5.18	10.8	73.9	19.7	8.3	Operation not recommended																					
	11.3	2.3	5.2	1590	57.5	42.1	4.65	12.4	73.4	13.3	7.1	Operation not recommended																					
	11.3	2.3	5.2	1850	58.5	45.3	4.82	12.1	75.0	13.3	7.3	Operation not recommended																					
	15.0	4.0	9.3	1590	58.8	42.6	4.48	13.1	74.1	10.1	6.7	Operation not recommended																					
110	7.5	0.8	1.8	1590	52.2	39.6	5.60	9.3	71.3	19.4	9.8	Operation not recommended																					
	7.5	0.8	1.8	1850	53.1	42.6	5.80	9.2	72.9	19.4	10.0	Operation not recommended																					
	11.3	2.2	5.1	1590	54.1	40.6	5.20	10.4	71.8	13.1	8.7	Operation not recommended																					



# Performance Data — HT 070 - Full Load

1950 CFM Nominal (Rated) Airflow Cooling, 2100 CFM Nominal (Rated) Airflow Heating

Performance capacities shown in thousands of Btu/h

EWT °F	Cooling - EAT 80/67°F										Heating - EAT 70°F																						
	GPM	WPD		CFM	TC	SC	kW	EER	HR	LWT	HWC	GPM	WPD		CFM	HC	kW	COP	HE	LAT	LWT	HWC											
		PSI	FT										PSI	FT																			
20	Operation not recommended										17.0	8.9	20.6	1750	46.6	4.66	2.9	30.7	94.7	16.4	5.2	17.0	8.9	20.6	2050	47.3	4.52	3.1	31.9	91.4	3.8	5.0	
	30	8.5	2.2	5.1	1590	82.4	50.1	3.04	27.1	92.8	22.2	3.6	8.5	2.2	5.1	1750	51.6	4.77	3.2	35.3	97.3	21.7	5.4	8.5	2.2	5.1	2050	52.4	4.63	3.3	36.6	93.7	8.6
8.5		2.2	5.1	1850	83.8	53.9	3.15	26.6	94.6	22.2	3.7	12.8	4.6	10.6	1750	54.0	4.83	3.3	37.5	98.6	24.1	5.5	12.8	4.6	10.6	2050	54.8	4.68	3.4	38.8	94.8	6.1	5.4
12.8		4.6	10.6	1590	81.9	49.8	2.84	28.9	91.6	11.0	3.6	17.0	7.6	17.6	1750	55.3	4.86	3.3	38.7	99.2	25.4	5.6	17.0	7.6	17.6	2050	56.1	4.71	3.5	40.1	95.3	4.7	5.5
12.8		4.6	10.6	1850	83.7	53.8	3.00	27.9	93.9	14.7	3.7	17.0	7.6	17.6	1750	55.3	4.86	3.3	38.7	99.2	25.4	5.6	17.0	7.6	17.6	2050	56.1	4.71	3.5	40.1	95.3	4.7	5.5
17.0		7.6	17.6	1590	81.9	49.8	2.84	28.9	91.6	11.0	3.6	17.0	7.6	17.6	1750	55.3	4.86	3.3	38.7	99.2	25.4	5.6	17.0	7.6	17.6	2050	56.1	4.71	3.5	40.1	95.3	4.7	5.5
40	8.5	1.6	3.8	1590	81.3	49.8	3.27	24.9	92.4	22.2	3.9	8.5	1.6	3.8	1750	59.4	4.96	3.5	42.4	101.4	30.0	5.9	8.5	1.6	3.8	2050	60.3	4.80	3.7	43.9	97.2	10.3	5.7
	8.5	1.6	3.8	1850	82.7	53.5	3.39	24.4	94.3	22.2	4.0	12.8	3.9	8.9	1750	62.1	5.02	3.6	45.0	102.9	32.9	6.1	12.8	3.9	8.9	2050	63.1	4.87	3.8	46.5	98.5	7.3	5.9
	12.8	3.9	8.9	1590	82.2	50.1	3.09	26.6	92.8	14.8	3.6	17.0	6.7	15.5	1750	63.6	5.06	3.7	46.4	103.7	34.5	6.2	17.0	6.7	15.5	2050	64.6	4.90	3.9	47.9	99.2	5.6	6.1
	12.8	3.9	8.9	1850	83.6	53.9	3.21	26.1	94.6	14.8	3.7	17.0	6.7	15.5	1750	63.6	5.06	3.7	46.4	103.7	34.5	6.2	17.0	6.7	15.5	2050	64.6	4.90	3.9	47.9	99.2	5.6	6.1
	17.0	6.7	15.5	1590	82.2	50.1	3.02	27.3	92.7	11.1	3.6	17.0	6.7	15.5	1750	63.6	5.06	3.7	46.4	103.7	34.5	6.2	17.0	6.7	15.5	2050	64.6	4.90	3.9	47.9	99.2	5.6	6.1
50	8.5	1.3	3.0	1590	79.1	49.0	3.54	22.3	91.2	21.9	4.5	8.5	1.3	3.0	1750	66.9	5.14	3.8	49.4	105.4	38.4	6.5	8.5	1.3	3.0	2050	67.9	4.99	4.0	50.9	100.7	12.0	6.3
	8.5	1.3	3.0	1850	80.5	52.6	3.67	21.9	93.0	21.9	4.6	12.8	3.4	7.8	1750	70.1	5.23	3.9	52.3	107.1	41.8	6.8	12.8	3.4	7.8	2050	71.2	5.07	4.1	53.9	102.1	8.5	6.6
	12.8	3.4	7.8	1590	80.8	49.6	3.34	24.2	92.2	14.7	4.0	17.0	6.0	13.9	1750	71.8	5.27	4.0	53.8	108.0	43.7	7.0	17.0	6.0	13.9	2050	72.9	5.11	4.2	55.5	102.9	6.5	6.8
	12.8	3.4	7.8	1850	82.2	53.3	3.46	23.8	94.0	14.7	4.1	17.0	6.0	13.9	1750	71.8	5.27	4.0	53.8	108.0	43.7	7.0	17.0	6.0	13.9	2050	72.9	5.11	4.2	55.5	102.9	6.5	6.8
	17.0	6.0	13.9	1590	81.5	49.8	3.24	25.1	92.5	11.1	3.8	17.0	6.0	13.9	1750	71.8	5.27	4.0	53.8	108.0	43.7	7.0	17.0	6.0	13.9	2050	72.9	5.11	4.2	55.5	102.9	6.5	6.8
60	8.5	1.2	2.7	1590	76.1	47.8	3.87	19.6	89.3	21.4	5.4	8.5	1.2	2.7	1750	74.4	5.34	4.1	56.2	109.4	46.8	7.3	8.5	1.2	2.7	2050	75.5	5.18	4.3	57.9	104.1	13.6	7.1
	8.5	1.2	2.7	1850	77.4	51.4	4.01	19.3	91.1	21.4	5.6	12.8	3.1	7.1	1750	78.0	5.44	4.2	59.4	111.3	50.7	7.7	12.8	3.1	7.1	2050	79.2	5.28	4.4	61.2	105.8	9.6	7.4
	12.8	3.1	7.1	1590	78.3	48.7	3.63	21.6	90.7	14.5	4.7	17.0	5.6	13.0	1750	80.0	5.50	4.3	61.2	112.3	52.8	7.9	17.0	5.6	13.0	2050	81.2	5.33	4.5	63.0	106.7	7.4	7.7
	12.8	3.1	7.1	1850	79.7	52.3	3.76	21.2	92.5	14.5	4.8	17.0	5.6	13.0	1750	80.0	5.50	4.3	61.2	112.3	52.8	7.9	17.0	5.6	13.0	2050	81.2	5.33	4.5	63.0	106.7	7.4	7.7
	17.0	5.6	13.0	1590	79.3	49.1	3.52	22.6	91.3	11.0	4.4	17.0	5.6	13.0	1750	80.0	5.50	4.3	61.2	112.3	52.8	7.9	17.0	5.6	13.0	2050	81.2	5.33	4.5	63.0	106.7	7.4	7.7
70	8.5	1.1	2.6	1590	72.4	46.3	4.26	17.0	87.0	20.9	6.7	8.5	1.1	2.6	1750	81.9	5.56	4.3	62.9	113.3	55.2	8.1	8.5	1.1	2.6	2050	83.2	5.38	4.5	64.8	107.6	15.2	7.9
	8.5	1.1	2.6	1850	73.7	49.8	4.42	16.7	88.7	20.9	6.8	12.8	3.0	6.8	1750	86.0	5.68	4.4	66.6	115.5	59.6	8.6	12.8	3.0	6.8	2050	87.3	5.50	4.6	68.5	109.4	10.7	8.4
	12.8	3.0	6.8	1590	75.0	47.4	3.98	18.9	88.6	14.2	5.8	17.0	5.4	12.4	1750	88.2	5.75	4.5	68.6	116.7	61.9	8.9	17.0	5.4	12.4	2050	89.5	5.57	4.7	70.5	110.4	8.3	8.7
	12.8	3.0	6.8	1850	76.3	50.9	4.12	18.5	90.4	14.2	5.9	17.0	5.4	12.4	1750	88.2	5.75	4.5	68.6	116.7	61.9	8.9	17.0	5.4	12.4	2050	89.5	5.57	4.7	70.5	110.4	8.3	8.7
	17.0	5.4	12.4	1590	76.6	51.5	3.99	19.5	91.2	10.7	5.5	17.0	5.4	12.4	1750	88.2	5.75	4.5	68.6	116.7	61.9	8.9	17.0	5.4	12.4	2050	89.5	5.57	4.7	70.5	110.4	8.3	8.7
80	8.5	1.2	2.7	1590	68.4	44.7	4.72	14.5	84.5	20.3	8.2	8.5	1.2	2.7	1750	89.5	5.79	4.5	69.8	117.4	63.6	9.1	8.5	1.2	2.7	2050	90.9	5.61	4.7	71.7	111.0	16.9	8.8
	8.5	1.2	2.7	1850	69.5	48.1	4.89	14.2	86.2	20.3	8.4	12.8	2.9	6.7	1750	94.1	5.93	4.6	73.9	119.8	68.4	9.8	12.8	2.9	6.7	2050	95.5	5.75	4.9	75.9	113.2	11.9	9.5
	12.8	2.9	6.7	1590	71.2	45.8	4.40	16.2	86.2	13.8	7.1	17.0	5.2	12.1	1750	96.7	6.02	4.7	76.1	121.1	71.0	10.1	17.0	5.2	12.1	2050	98.1	5.83	4.9	78.2	114.3	9.2	9.8
	12.8	2.9	6.7	1850	72.4	49.3	4.56	15.9	88.0	13.8	7.3	17.0	5.2	12.1	1750	96.7	6.02	4.7	76.1	121.1	71.0	10.1	17.0	5.2	12.1	2050	98.1	5.83	4.9	78.2	114.3	9.2	9.8
	17.0	5.2	12.1	1590	72.6	46.4	4.24	17.1	87.1	10.5	6.6	17.0	5.2	12.1	1750	96.7	6.02	4.7	76.1	121.1	71.0	10.1	17.0	5.2	12.1	2050	98.1	5.83	4.9	78.2	114.3	9.2	9.8
90	8.5	1.2	2.8	1590	64.1	43.0	5.26	12.2	82.0	19.7	10.0	8.5	1.2	2.8	1750	97.3	6.04	4.7	76.7	121.5	72.0	10.2	8.5	1.2	2.8	2050	98.8	5.85	4.9	78.8	114.6	18.5	9.9
	8.5	1.2	2.8	1850	68.1	47.4	5.07	13.4	85.4	19.7	9.0	12.8	2.9	6.7	1750	102.6	6.22	4.8	81.3	124.3	77.2	11.0	12.8	2.9	6.7	2050	104.1	6.03	5.1	83.6	117.0	13.1	10.7
	12.8	2.9	6.7	1590	67.0	44.1	4.89	13.7	83.6	13.4	8.8	17.0	5.2	12.0	1750	105.5	6.32	4.9	83.9	125.8	80.1	11.4	17.0	5.2	12.0	2050	107.1	6.12	5.1	86.2	118.4	10.1	11.1
	12.8	2.9	6.7	1850	68.1	47.4	5.07	13.4	85.4	13.4	9.0	17.0	5.2	12.0	1750	105.5	6.32	4.9	83.9	125.8	80.1	11.4	17.0	5.2	12.0	2050	107.1	6.12	5.1	86.2	118.4	10.1	11.1
	17.0	5.2	12.0	1590	68.4	44.7	4.71	14.5	84.5	10.1	8.2	17.0	5.2	12.0	1750	105.5	6.32	4.9	83.9	125.8	80.1	11.4	17.0	5.2	12.0	2050	107.1	6.12	5.1	86.2	118.4	10.1	11.1
100	8.5	1.2	2.8	1590	59.8	41.2	5.88	10.2	79.9	19.2	12.2	Operation not recommended																					
	8.5	1.2	2.8	1850	60.9	44.3	6.09	10.0	81.6	19.2	12.5																						
	12.8	2.9	6.7	1590	62.6	42.3	5.46	11.5	81.2	13.0	10.8																						
	12.8	2.9	6.7	1850	63.7	45.5	5.66	11.2	83.0	13.0	11.0																						
	17.0	5.2	12.0	1590	64.0	42.9	5.27	12.2	82.0	9.9	10.1																						
110	8.5	1.1	2.6	1590	55.7	39.5	6.61	8.4	78.2	18.8	14.7	Operation not recommended																					
	8.5	1.1	2.6	1850	56.7	42.5	6.85	8.3	80.0	18.8	15.0																						
	12.8	2.9	6.6	1590	58.3	40.6	6.13	9.5	79.2	12.																							

# Preventive Maintenance

## Water Coil Maintenance

(Direct ground water applications only) - If the system is installed in an area with a known high mineral content (125 P.P.M. or greater) in the water, it is best to establish a periodic maintenance schedule with the owner so the coil can be checked regularly. Consult the well water applications section of this manual for a more detailed water coil material selection. Should periodic coil cleaning be necessary, use standard coil cleaning procedures, which are compatible with the heat exchanger material and copper water lines. Generally, the more water flowing through the unit, the less chance for scaling. Therefore, 1.5 gpm per ton [2.0 l/m per kW] is recommended as a minimum flow. Minimum flow rate for entering water temperatures below 50°F [10°C] is 2.0 gpm per ton [2.6 l/m per kW].

## Water Coil Maintenance

(All other water loop applications)

Generally water coil maintenance is not needed for closed loop systems. However, if the piping is known to have high dirt or debris content, it is best to establish a periodic maintenance schedule with the owner so the water coil can be checked regularly. Dirty installations are typically the result of deterioration of iron or galvanized piping or components in the system. Open cooling towers requiring heavy chemical treatment and mineral buildup through water use can also contribute to higher maintenance. Should periodic coil cleaning be necessary, use standard coil cleaning procedures, which are compatible with both the heat exchanger material and copper water lines. Generally, the more water flowing through the unit, the less chance for scaling. However, flow rates over 3 gpm per ton (3.9 l/m per kW) can produce water (or debris) velocities that can erode the heat exchanger wall and ultimately produce leaks.

## Hot Water Generator Coils

See water coil maintenance for ground water units. If the potable water is hard or not chemically softened, the high temperatures of the desuperheater will tend to scale even quicker than the water coil and may need more frequent inspections. In areas with extremely hard water, a HWG is not recommended.

## Filters

Filters must be clean to obtain maximum performance. Filters should be inspected every month under normal operating conditions and be replaced when necessary. Units should never be operated without a filter.

Washable, high efficiency, electrostatic filters, when dirty, can exhibit a very high pressure drop for the fan motor and reduce air flow, resulting in poor performance. It is especially important to provide consistent washing of these filters (in the opposite direction of the normal air flow) once per month using a high pressure wash similar to those found at self-serve car washes.

## Condensate Drain

In areas where airborne bacteria may produce a "slimy" substance in the drain pan, it may be necessary to treat the drain pan chemically with an algicide approximately every three

months to minimize the problem. The condensate pan may also need to be cleaned periodically to insure indoor air quality. The condensate drain can pick up lint and dirt, especially with dirty filters. Inspect the drain twice a year to avoid the possibility of plugging and eventual overflow.

## Compressor

Conduct annual amperage checks to insure that amp draw is no more than 10% greater than indicated on the serial plate data.

## Fan Motors

All units have lubricated fan motors. Fan motors should never be lubricated unless obvious, dry operation is suspected. Periodic maintenance oiling is not recommended, as it will result in dirt accumulating in the excess oil and cause eventual motor failure. Conduct annual dry operation check and amperage check to insure amp draw is no more than 10% greater than indicated on serial plate data.

## Air Coil

The air coil must be cleaned to obtain maximum performance. Check once a year under normal operating conditions and, if dirty, brush or vacuum clean. Care must be taken not to damage the aluminum fins while cleaning. CAUTION: Fin edges are sharp.

## Cabinet

Do not allow water to stay in contact with the cabinet for long periods of time to prevent corrosion of the cabinet sheet metal. Generally, vertical cabinets are set up from the floor a few inches [7 - 8 cm] to prevent water from entering the cabinet. The cabinet can be cleaned using a mild detergent.

## Refrigerant System

To maintain sealed circuit integrity, do not install service gauges unless unit operation appears abnormal. Reference the operating charts for pressures and temperatures. Verify that air and water flow rates are at proper levels before servicing the refrigerant circuit.

# Troubleshooting

## General

If operational difficulties are encountered, perform the preliminary checks below before referring to the troubleshooting charts.

- Verify that the unit is receiving electrical supply power.
- Make sure the fuses in the fused disconnect switches are intact.

After completing the preliminary checks described above, inspect for other obvious problems such as leaking connections, broken or disconnected wires, etc. If everything appears to be in order, but the unit still fails to operate properly, refer to the "CXM Troubleshooting Process Flowchart" or "Functional Troubleshooting Chart."

## CXM Board

CXM board troubleshooting in general is best summarized as simply verifying inputs and outputs. After inputs and outputs have been verified, board operation is confirmed and the problem must be elsewhere. Below are some general guidelines for troubleshooting the CXM control.

## Field Inputs

All inputs are 24VAC from the thermostat and can be verified using a volt meter between C and Y, G, O, W. 24VAC will be present at the terminal (for example, between "Y" and "C") if the thermostat is sending an input to the CXM board.

## Sensor Inputs

All sensor inputs are 'paired wires' connecting each component to the board. Therefore, continuity on pressure switches, for example can be checked at the board connector.

The thermistor resistance should be measured with the connector removed so that only the impedance of the thermistor is measured. If desired, this reading can be compared to the thermistor resistance chart shown in the CXM AOM manual. An ice bath can be used to check calibration of the thermistor.

## Outputs

The compressor relay is 24VAC and can be verified using a voltmeter. The fan signal is passed through the board to the external fan relay (units with PSC motors only). The alarm relay can either be 24VAC as shipped or dry contacts for use with DDC controls by clipping the JW1 jumper. Electric heat outputs are 24VDC "ground sinking" and require a volt meter set for DC to verify operation. The terminal marked "24VDC" is the 24VDC supply to the electric heat board; terminal "EH1" is stage 1 electric heat; terminal "EH2" is stage 2 electric heat. When electric heat is energized (thermostat is sending a "W" input to the CXM controller), there will be 24VDC between terminal "24VDC" and "EH1" (stage 1 electric heat) and/or "EH2" (stage 2 electric heat). A reading of 0VDC between "24VDC" and "EH1" or "EH2" will indicate that the CXM board is NOT sending an output signal to the electric heat board.

## Test Mode

Test mode can be entered for 20 minutes by shorting the test pins. The CXM board will automatically exit test mode after 20 minutes.

## CXM Troubleshooting Process Flowchart/Functional Troubleshooting Chart

The "CXM Functional Troubleshooting Process Flowchart" is a quick overview of how to start diagnosing a suspected problem, using the fault recognition features of the CXM board. The "Functional Troubleshooting Chart" on the following page is a more comprehensive method for identifying a number of malfunctions that may occur, and is not limited to just the CXM controls. Within the chart are five columns:

- The "Fault" column describes the symptoms.
- Columns 2 and 3 identify in which mode the fault is likely to occur, heating or cooling.
- The "Possible Cause column" identifies the most likely sources of the problem.
- The "Solution" column describes what should be done to correct the problem.

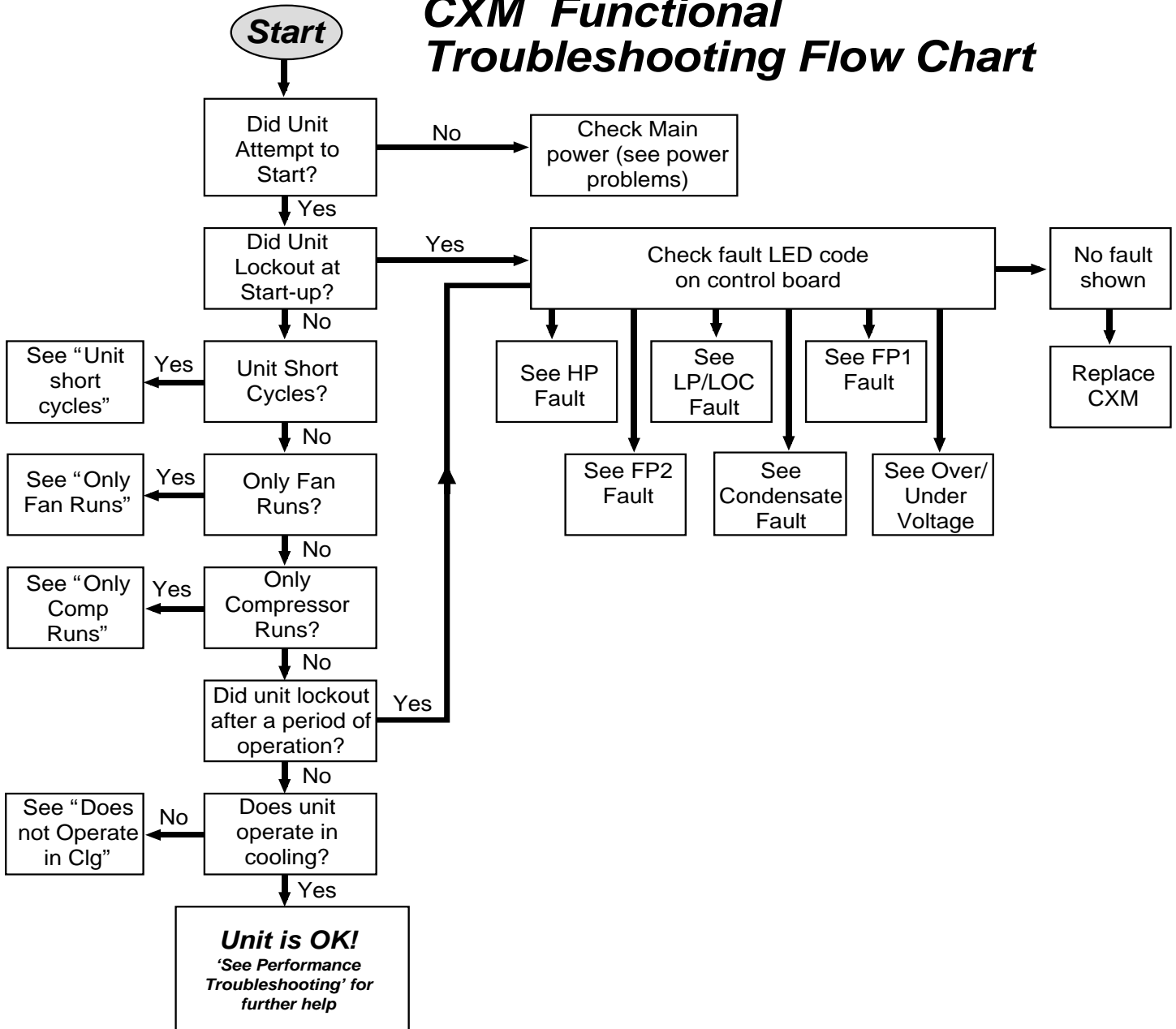
## ⚠ WARNING! ⚠

**WARNING!** HAZARDOUS VOLTAGE! DISCONNECT ALL ELECTRIC POWER INCLUDING REMOTE DISCONNECTS BEFORE SERVICING. Failure to disconnect power before servicing can cause severe personal injury or death.

# CXM Process Flow Chart

**⚠ WARNING! ⚠**  
**WARNING!** HAZARDOUS VOLTAGE! DISCONNECT ALL ELECTRIC POWER INCLUDING REMOTE DISCONNECTS BEFORE SERVICING. Failure to disconnect power before servicing can cause severe personal injury or death.

## CXM Functional Troubleshooting Flow Chart



# Functional Troubleshooting

Fault	Htg	Clg	Possible Cause	Solution	
Main power problems	X	X	Green Status LED Off	Check line voltage circuit breaker and disconnect. Check for line voltage between L1 and L2 on the contactor. Check for 24VAC between R and C on CXM/DXM' Check primary/secondary voltage on transformer.	
			X	Reduced or no water flow in cooling	Check pump operation or valve operation/setting. Check water flow adjust to proper flow rate.
				Water Temperature out of range in cooling	Bring water temp within design parameters. Check for dirty air filter and clean or replace.
HP Fault Code 2 High Pressure	X		Reduced or no air flow in heating	Check fan motor operation and airflow restrictions. Dirty Air Coil- construction dust etc. Too high of external static. Check static vs blower table.	
			Air temperature out of range in heating	Bring return air temp within design parameters.	
			Overcharged with refrigerant	Check superheat/subcooling vs typical operating condition table.	
			Bad HP Switch	Check switch continuity and operation. Replace.	
LP/LOC Fault Code 3 Low Pressure / Loss of Charge	X	X	Insufficient charge	Check for refrigerant leaks	
			Compressor pump down at start-up	Check charge and start-up water flow.	
LT1 Fault Code 4 Water coil low temperature limit	X		Reduced or no water flow in heating	Check pump operation or water valve operation/setting. Plugged strainer or filter. Clean or replace.. Check water flow adjust to proper flow rate.	
			Inadequate antifreeze level	Check antifreeze density with hydrometer.	
			Improper temperature limit setting (30°F vs 10°F [-1°C vs -2°C])	Clip JW3 jumper for antifreeze (10°F [-12°C]) use.	
			Water Temperature out of range	Bring water temp within design parameters.	
			Bad thermistor	Check temp and impedance correlation per chart Check for dirty air filter and clean or replace.	
LT2 Fault Code 5 Air coil low temperature limit	X	X	Reduced or no air flow in cooling	Check fan motor operation and airflow restrictions. Too high of external static. Check static vs blower table.	
			Air Temperature out of range	Too much cold vent air? Bring entering air temp within design parameters.	
			Improper temperature limit setting (30°F vs 10°F [-1°C vs -12°C])	Normal airside applications will require 30°F [-1°C] only.	
			Bad thermistor	Check temp and impedance correlation per chart.	
Condensate Fault Code 6	X	X	Blocked drain	Check for blockage and clean drain.	
			Improper trap	Check trap dimensions and location ahead of vent. Check for piping slope away from unit. Check slope of unit toward outlet. Poor venting. Check vent location.	
			Poor drainage		
			Moisture on sensor	Check for moisture shorting to air coil.	
			Plugged air filter	Replace air filter.	
			Restricted Return Air Flow	Find and eliminate restriction. Increase return duct and/or grille size.	
Over/Under Voltage Code 7 (Auto resetting)	X	X	Under Voltage	Check power supply and 24VAC voltage before and during operation. Check power supply wire size. Check compressor starting. Need hard start kit? Check 24VAC and unit transformer tap for correct power supply voltage.	
			Over Voltage	Check power supply voltage and 24VAC before and during operation. Check 24VAC and unit transformer tap for correct power supply voltage.	
Unit Performance Sentinel Code 8	X	X	Heating mode FP2>125°F [52°C]	Check for poor air flow or overcharged unit.	
			Cooling Mode FP1>125°F [52°C] OR FP2<40°F [4°C])	Check for poor water flow, or air flow.	
No Fault Code Shown	X	X	No compressor operation	See "Only Fan Operates".	
			Compressor overload	Check and replace if necessary.	
			Control board	Reset power and check operation.	
Unit Short Cycles	X	X	Dirty air filter	Check and clean air filter.	
			Unit in "test mode"	Reset power or wait 20 minutes for auto exit.	
			Unit selection	Unit may be oversized for space. Check sizing for actual load of space.	
			Compressor overload	Check and replace if necessary	
Only Fan Runs	X	X	Thermostat position	Ensure thermostat set for heating or cooling operation.	
			Unit locked out	Check for lockout codes. Reset power.	
			Compressor Overload	Check compressor overload. Replace if necessary.	
			Thermostat wiring	Check thermostat wiring at heat pump. Jumper Y and R for compressor operation in test mode.	
Only Compressor Runs	X	X	Thermostat wiring	Check G wiring at heat pump. Jumper G and R for fan operation	
			Fan motor relay	Jumper G and R for fan operation. Check for Line voltage across BR contacts. Check fan power enable relay operation (if present).	
			Fan motor	Check for line voltage at motor. Check capacitor.	
			Thermostat wiring	Check thermostat wiring at heat pump. Jumper Y and R for compressor operation in test mode	
Unit Doesn't Operate in Cooling	X	X	Reversing valve	Set for cooling demand and check 24VAC on RV coil and at CXM/DXM board. If RV is stuck, run high pressure up by reducing water flow and while operating engage and disengage RV coil voltage to push valve.	
			Thermostat setup	Check for 'O' RV setup not 'B'.	
			Thermostat wiring	Check O wiring at heat pump. Jumper O and R for RV coil 'click'.	
			Thermostat wiring	Put thermostat in cooling mode. Check 24 VAC on O (check between C and O); check for 24 VAC on W (check between W and C). There should be voltage on O, but not on W. If voltage is present on W, thermostat may be bad or wired incorrectly.	

# Performance Troubleshooting

Performance Troubleshooting	Htg	Clg	Possible Cause	Solution
Insufficient capacity/ Not cooling or heating	X	X	Dirty filter	Replace or clean.
	X		Reduced or no air flow in heating	Check for dirty air filter and clean or replace.
				Check fan motor operation and airflow restrictions.
				Too high of external static. Check static vs. blower table.
		X	Reduced or no air flow in cooling	Check for dirty air filter and clean or replace.
				Check fan motor operation and airflow restrictions.
				Too high of external static. Check static vs. blower table.
	X	X	Leaky duct work	Check supply and return air temperatures at the unit and at distant duct registers if significantly different, duct leaks are present.
	X	X	Low refrigerant charge	Check superheat and subcooling per chart.
	X	X	Restricted metering device	Check superheat and subcooling per chart. Replace.
	X	X	Defective reversing valve	Perform RV touch test.
X	X	Thermostat improperly located	Check location and for air drafts behind stat.	
X	X	Unit undersized	Recheck loads & sizing. Check sensible clg. load and heat pump capacity.	
X	X	Scaling in water heat exchanger	Perform scaling check and clean if necessary.	
X	X	Inlet water too hot or too cold	Check load, loop sizing, loop backfill, ground moisture.	
High Head Pressure	X		Reduced or no air flow in heating	Check for dirty air filter and clean or replace.
				Check fan motor operation and air flow restrictions.
				Too high of external static. Check static vs. blower table.
		X	Reduced or no water flow in cooling	Check pump operation or valve operation/setting. Check water flow. Adjust to proper flow rate.
	X		Inlet water too hot	Check load, loop sizing, loop backfill, ground moisture.
		X	Air temperature out of range in heating	Bring return air temperature within design parameters.
		X	Scaling in water heat exchanger	Perform scaling check and clean if necessary.
	X	X	Unit overcharged	Check superheat and subcooling. Re-weigh in charge.
X	X	Non-condensables in system	Vacuum system and re-weigh in charge.	
X	X	Restricted metering device.	Check superheat and subcooling per chart. Replace.	
Low Suction Pressure	X		Reduced water flow in heating.	Check pump operation or water valve operation/setting.
				Plugged strainer or filter. Clean or replace.
				Check water flow. Adjust to proper flow rate.
	X		Water temperature out of range.	Bring water temperature within design parameters.
		X	Reduced air flow in cooling.	Check for dirty air filter and clean or replace. Check fan motor operation and air flow restrictions. Too high of external static. Check static vs. blower table.
	X	Air temperature out of range	Too much cold vent air? Bring entering air temperature within design parameters.	
Low Discharge Air Temperature in Heating	X		Too high of air flow	Check fan motor speed selection and air flow chart.
	X		Poor performance	See 'Insufficient Capacity'
High humidity		X	Too high of air flow	Check fan motor speed selection and airflow chart.
		X	Unit oversized	Recheck loads & sizing. Check sensible clg load and heat pump capacity.

# Troubleshooting Form

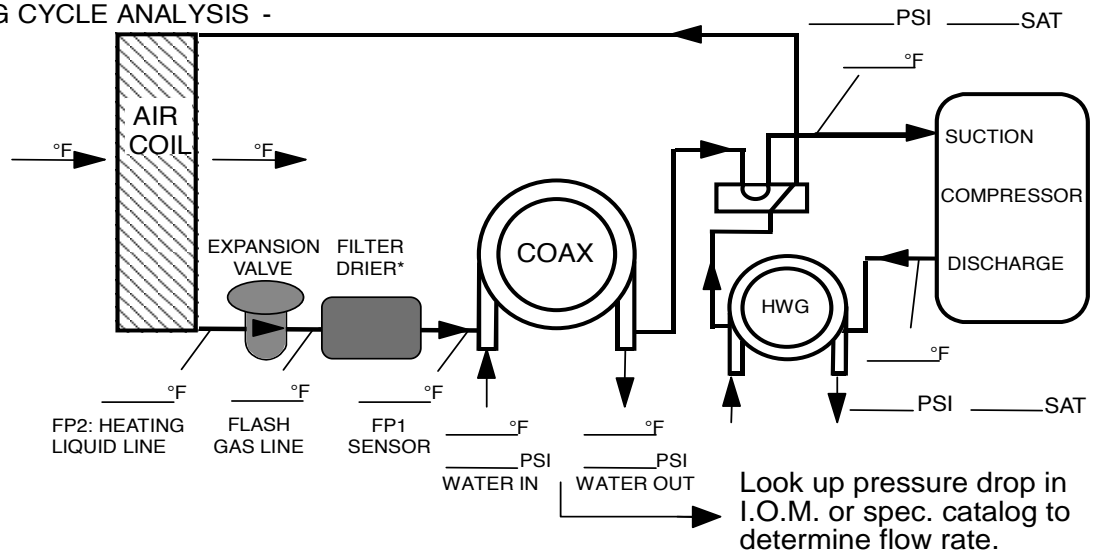
Date: \_\_\_\_\_

Customer: \_\_\_\_\_ Antifreeze: \_\_\_\_\_

Model#: \_\_\_\_\_ Serial#: \_\_\_\_\_ Loop type: \_\_\_\_\_

Complaint: \_\_\_\_\_

### HEATING CYCLE ANALYSIS -



### COOLING CYCLE ANALYSIS -

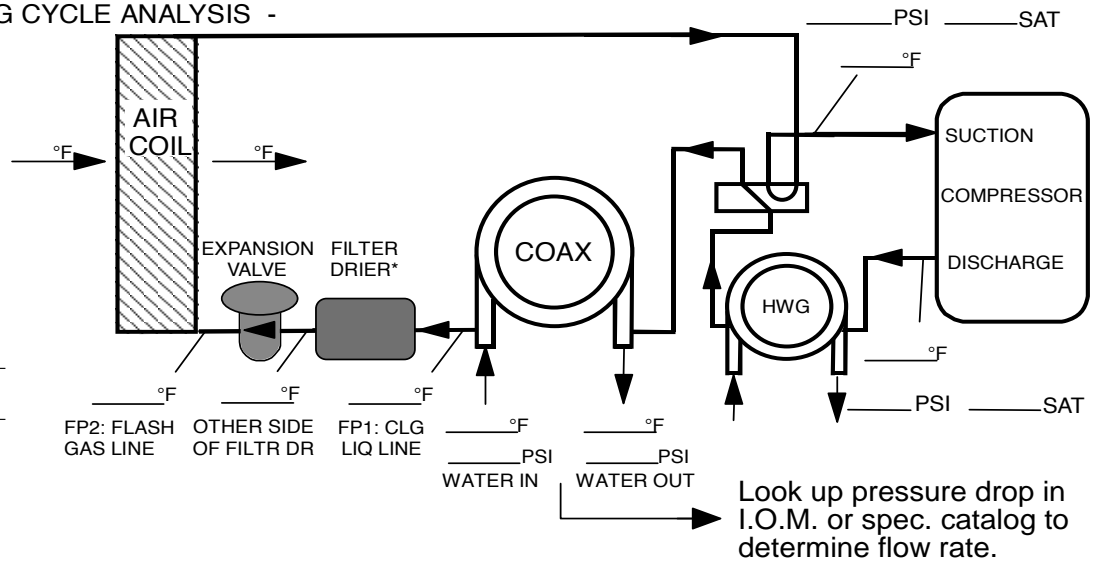
Refrigerant Type:

HFC-410A

Voltage: \_\_\_\_\_

Comp Amps: \_\_\_\_\_

Total Amps: \_\_\_\_\_



Heat of Extraction (Absorption) or Heat of Rejection =

\_\_\_\_\_ flow rate (gpm) x \_\_\_\_\_ temp.diff. (deg. F) x \_\_\_\_\_ fluid factor<sup>†</sup> = \_\_\_\_\_ (Btu/hr)

Superheat = Suction temperature - suction saturation temp. = \_\_\_\_\_ (deg F)

Subcooling = Discharge saturation temp. - liquid line temp. = \_\_\_\_\_ (deg F)

<sup>†</sup> Use 500 for water, 485 for antifreeze.

Note: Never connect refrigerant gauges during startup procedures. Conduct water-side analysis using P/T ports to determine water flow and temperature difference. If water-side analysis shows poor performance, refrigerant troubleshooting may be required. Connect refrigerant gauges as a last resort.

Design, material, performance data and components  
subject to change without notice.

## HEAT CONTROLLER, INC.

1900 Wellworth Ave., Jackson, MI 49203 ♦ Ph. 517-787-2100 ♦ Fax 517-787-9341

THE QUALITY LEADER IN CONDITIONING AIR

[www.heatcontroller.com](http://www.heatcontroller.com)



97B00???????



## Free Manuals Download Website

<http://myh66.com>

<http://usermanuals.us>

<http://www.somanuals.com>

<http://www.4manuals.cc>

<http://www.manual-lib.com>

<http://www.404manual.com>

<http://www.luxmanual.com>

<http://aubethermostatmanual.com>

Golf course search by state

<http://golfingnear.com>

Email search by domain

<http://emailbydomain.com>

Auto manuals search

<http://auto.somanuals.com>

TV manuals search

<http://tv.somanuals.com>