

BURNER REPLACEMENT

Models: 6000TR-OAK, 6000TRI, 6000TRXI

- Installation Instructions -

CAUTION! Risk of Cuts or Abrasions. Wear protective gloves and safety glasses during installation. Sheet metal edges are sharp.

KIT CONTENTS:

- Burner Assembly
- Pilot Bracket
- Additional burner neck (not for all models)

1. Remove existing logs, grate and burner.
2. Replace existing pilot bracket with new pilot bracket. The new pilot bracket is 1/4 inch taller.
3. Install new burner.
4. Determine whether or not fireplace is equipped with slide mechanism shutter assembly that is adjustable from outside the firebox.
 - If it is **not** equipped with this assembly, replace burner neck on burner assembly with additional burner neck included with the kit. Remove air shutter from old burner neck by removing one screw. Reinstall on new burner neck.
 - If it **is** equipped with the assembly use burner as supplied with the kit.
5. Install logs according to log placement instructions.
6. Some models are equipped with refractory. Trim refractory panels to fit if necessary.

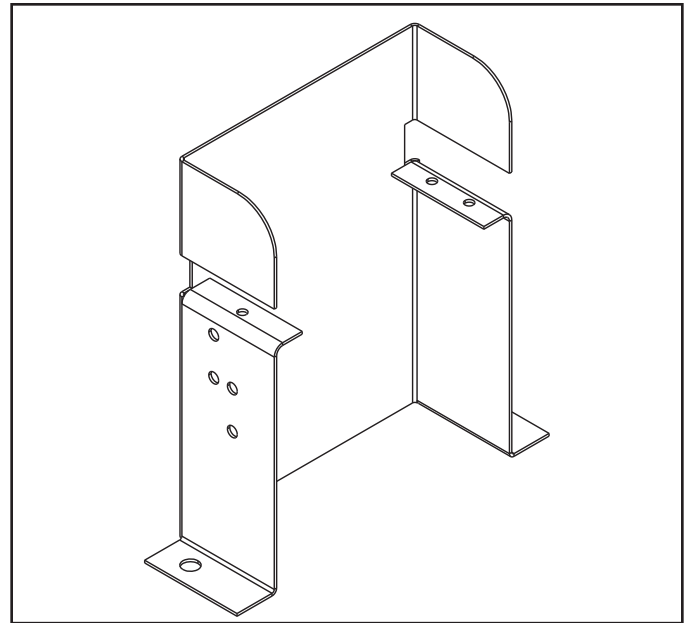


Figure 1

Please contact your Heat & Glo dealer with any questions or concerns.

For the location of your nearest Heat & Glo dealer, please visit www.heatnglo.com.

Heat & Glo, a brand of Hearth & Home Technologies Inc.
7571 215th Street West, Lakeville, MN 55044
www.heatnglo.com

Free Manuals Download Website

<http://myh66.com>

<http://usermanuals.us>

<http://www.somanuals.com>

<http://www.4manuals.cc>

<http://www.manual-lib.com>

<http://www.404manual.com>

<http://www.luxmanual.com>

<http://aubethermostatmanual.com>

Golf course search by state

<http://golfingnear.com>

Email search by domain

<http://emailbydomain.com>

Auto manuals search

<http://auto.somanuals.com>

TV manuals search

<http://tv.somanuals.com>