

# BOHN

THE COLD STANDARD

BN-RCUTB

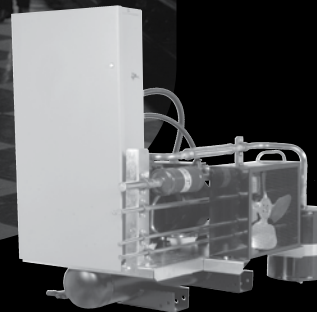
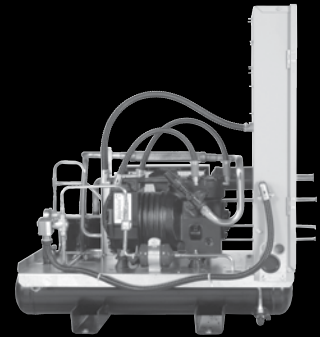
April 2007

(Replaces 503.4A, 04/03)

## REMOTE INDOOR COMPRESSOR UNITS

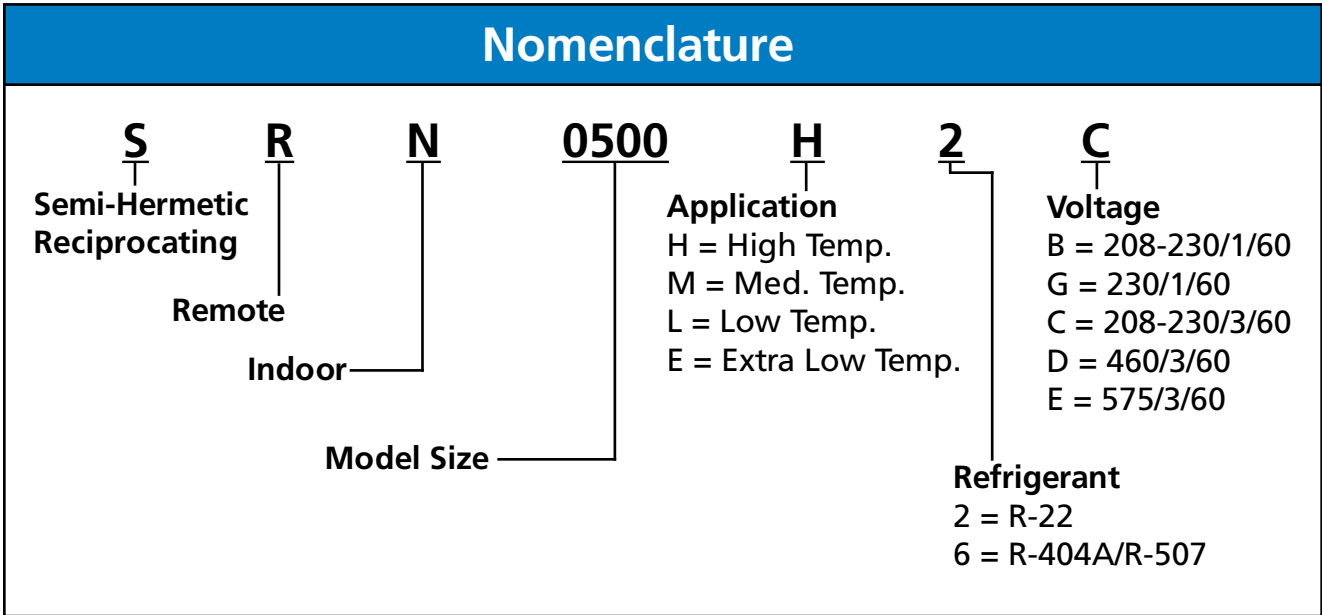
Model SRN - Semi-Hermetic Reciprocating Compressor

Technical Guide

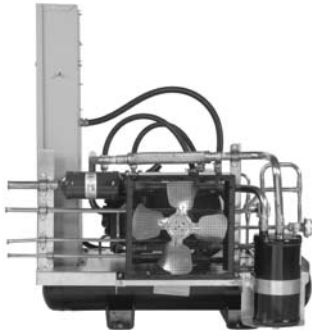


## Table of Contents

|   |       |
|---|-------|
| Nomenclature .....  | 2     |
| Features & Benefits .....   | 3-4   |
| Performance Data, High & Medium Temperature (R-22/R-404A/R-507) ..... | 5     |
| Performance Data, Low Temperature (R-404A/R-507) .....                | 6     |
| Electrical Data .....   | 7-9   |
| Physical Data .....   | 10-11 |



## Standard Features & Benefits



- Pre-bent tubing reduces the possibility of leaks
- Spring mounted compressors with suction and discharge vibration eliminators (models 0499 and above)
- Fixed low pressure switch (adjustable on low temp models)
- Fixed high pressure switch
- Easy access refrigerant piping
- Pressure relief valve



- More spacious, pre-painted electrical box
- Pump down switch
- 230 volt control circuit transformer on 460 volt models



- Semi-hermetic reciprocating compressors
- Captive door fasteners
- Single electrical connection location
- Shipped with dry nitrogen charge
- Heavy duty base plate
- Plastic conduit on all wiring runs
- Receiver sized for 100 feet of liquid line capacity
- Sealed liquid line filter drier with sight glass
- Removable electrical box from compressor access from the front

**NOTES:** SRN pictured with optional suction accumulator, liquid solenoid valve, sealed suction filter and head pressure valve

## Standard Features & Factory Installed Options

The indoor SRN remote compressor unit is specifically designed for use in supermarket, restaurant, warehouse and other commercial and industrial applications. The design focuses on ease of installation and maintenance along with the flexibility to fit most application requirements.

### Standard Features

- Fixed low pressure switch (adjustable on low temp models)
- Fixed high pressure switch
- Pump down switch
- Compressor contactor and control circuit fusing
- 230V control circuit transformer on 460V units
- Removeable electrical box provides convenient front access to the oil pump and compressor
- Standard 16-3/4" tall box - (large 29-1/4" tall box is standard when defrost components are selected)
- Sealed liquid line filter drier and sight glass
- Oil pressure switch (when required)
- Shell and tube condenser with outlet shut-off valve, charging port and pressure relief device
- Solid mounted compressors (models up to 0400)
- Spring mounted compressors with suction and discharge vibration eliminators (models 0499 and above)
- Compressor head cooling fan (when required)
- Compressor solid state protection model (on units with 4D compressors)

### Factory Installed Options

- Dual pressure switch
- Oil separator with discharge check valve and oil return hand valve
- Compressor and control circuit breaker
- Two tier rack
- Suction accumulator
- Sealed suction filter
- Replaceable core suction filter (0300-2200)
- Replaceable core liquid filter (0300-2200)
- Liquid line solenoid valve
- Spring mounted compressors with suction and discharge vibration eliminators (models 0075 to 0400)
- Crankcase heater
- Air defrost timer
- Electric defrost kit. Kit includes timer, evaporator fan contactor, defrost heater contactor(s), lockout relay and terminal block
- Remote load fusing for electric defrost kit. Includes evaporator fan motor and defrost heater fuses
- Fixed head pressure control valve
- Beacon II™ compatible (contact factory)
- Demand cooling for low temperature R-22 (contact factory)



## Performance Data - High & Medium Temperature Models

### R-22 Models - High & Medium Temperature

120°F Condensing Temperature, 8°F Subcooling

| R-22 Model | Compressor | Capacity BTUH       |         |         |         |         |         |
|------------|------------|---------------------|---------|---------|---------|---------|---------|
|            |            | Suction Temperature |         |         |         |         |         |
|            |            | 15°F                | 20°F    | 25°F    | 30°F    | 35°F    | 40°F    |
| SRN0075H2  | KAN1-0075  | 4,460               | 5,190   | 5,970   | 6,810   | 7,730   | 8,750   |
| SRN0075M2  | KAE1-0075  | 5,580               | 6,320   | 7,110   | -       | -       | -       |
| SRN0090H2  | KARA-010E  | 6,560               | 7,420   | 8,360   | 9,390   | 10,500  | 11,800  |
| SRN0100H2  | KAM1-0100  | 7,460               | 8,480   | 9,580   | 10,820  | 12,060  | 13,570  |
| SRN0150H2  | KAGA-0150  | 8,430               | 9,630   | 10,920  | 12,270  | 13,830  | 15,550  |
| SRN0200H2  | ERA1-0200  | 8,790               | 10,920  | 13,100  | 15,600  | 18,200  | 21,160  |
| SRN0200M2  | ERC1-0200  | 13,100              | 15,080  | 17,260  | -       | -       | -       |
| SRN0300H2  | ERF1-0311  | 20,070              | 22,670  | 25,580  | 28,700  | 32,030  | 35,780  |
| SRN0400H2  | NRB2-0400  | 26,520              | 30,780  | 35,260  | 40,040  | 45,340  | 51,220  |
| SRN0499H2  | 2DC3R53KE  | 31,620              | 36,300  | 41,290  | 46,700  | 52,520  | 58,860  |
| SRN0500H2  | 2DD3R63KE  | 37,340              | 42,640  | 48,320  | 54,390  | 61,050  | 68,220  |
| SRN0750H2  | 2DL3R78KE  | 48,050              | 54,500  | 61,380  | 68,850  | 76,860  | 85,590  |
| SRN0760H2  | 2DA3R89KE  | 54,290              | 61,780  | 69,680  | 78,000  | 86,940  | 96,510  |
| SRN0761H2  | 3DA3R10ME  | 67,390              | 75,710  | 84,740  | 94,430  | 105,040 | 116,480 |
| SRN1000H2  | 3DB3R12ME  | 81,020              | 90,690  | 101,120 | 112,320 | 124,800 | 138,320 |
| SRN1500H2  | 3DS3R17ME  | 108,160             | 120,640 | 134,160 | 148,720 | 165,360 | 182,000 |
| SRN2000H2  | 4DA3R18ME  | 114,090             | 127,920 | 143,520 | 161,200 | 179,920 | 200,720 |

### R-404A/R-507 Models - Medium Temperature

120°F Condensing Temperature, 8°F Subcooling

| R-404A/R-507 Model | Compressor | Capacity BTUH       |        |        |        |        |        |
|--------------------|------------|---------------------|--------|--------|--------|--------|--------|
|                    |            | Suction Temperature |        |        |        |        |        |
|                    |            | 15°F                | 20°F   | 25°F   | 30°F   | 35°F   | 40°F   |
| SRN0090M6          | KARA-010E  | 6,910               | 7,780  | 8,880  | -      | -      | -      |
| SRN0199M6          | KAKA-020E  | 11,450              | 12,850 | 14,150 | -      | -      | -      |
| SRN0200M6          | ERCA-021E  | 14,470              | 16,310 | 18,480 | -      | -      | -      |
| SRN0310M6          | ERFA-031E  | 21,380              | 24,080 | 27,080 | -      | -      | -      |
| SRN0500M6          | 2DC3R53KE  | 33,050              | 37,370 | 42,030 | 47,090 | 52,600 | 58,540 |

For additional capacity sizes and options, please contact the factory at 800-537-7775

## Performance Data - Low Temperature Models

### R-404A/R-507 Models - Low Temperature

110°F Condensing Temperature, 6°F Subcooling

| R-404A/R-507 Model | Compressor | Capacity BTUH       |        |        |        |         |         |
|--------------------|------------|---------------------|--------|--------|--------|---------|---------|
|                    |            | Suction Temperature |        |        |        |         |         |
|                    |            | -40°F               | -30°F  | -25°F  | -20°F  | -10°F   | 0°F     |
| SRN0150L6          | KALA-016E  | 2,790               | 4,620  | 5,510  | 6,470  | 8,480   | 11,020  |
| SRN0200L6          | EADA-020E  | 3,240               | 5,130  | 6,150  | 7,310  | 9,960   | 13,250  |
| SRN0210L6          | EAVA-021E  | 3,720               | 5,610  | 6,890  | 8,270  | 11,550  | 15,370  |
| SRN0310L6          | LAHA-032E  | 5,300               | 8,790  | 10,920 | 13,250 | 18,660  | 24,910  |
| SRN0310E6          | LACA-032E  | 7,930               | 11,960 | 14,310 | 17,070 | -       | -       |
| SRN0311L6          | 2DF3F16KE  | 9,250               | 13,760 | 16,320 | 19,080 | 25,330  | 32,860  |
| SRN0400L6          | 2DL3F20KE  | 11,670              | 16,890 | 19,820 | 23,110 | 30,530  | 39,330  |
| SRN0599L6          | 2DA3F23KE  | 13,860              | 19,840 | 23,110 | 26,710 | 34,870  | 44,630  |
| SRN0600L6          | 2DB3F25KE  | 14,580              | 21,030 | 24,700 | 28,620 | 37,520  | 48,120  |
| SRN0601L6          | 3DA3F28KE  | 17,190              | 24,080 | 27,980 | 32,330 | 42,080  | 53,640  |
| SRN0750L6          | 3DB3F33KE  | 20,490              | 28,810 | 33,390 | 38,370 | 49,710  | 63,280  |
| SRN0900L6          | 3DF3F40KE  | 25,140              | 35,020 | 40,700 | 46,850 | 60,950  | 77,800  |
| SRN1000L6          | 3DS3F46KE  | 28,520              | 39,690 | 46,000 | 52,890 | 68,260  | 86,180  |
| SRN1500L6          | 4DL3F63KE  | 39,900              | 55,780 | 64,020 | 72,720 | 92,330  | 116,390 |
| SRN2200L6          | 4DT3F76KE  | 45,370              | 65,300 | 75,790 | 86,710 | 110,880 | 138,750 |

For additional capacity sizes and options, please contact the factory at 800-537-7775



# Electrical Data

## SRN Model - High & Medium Temperature

| Model      | Power Supply | Compressor |      |       | Air Defrost/<br>Beacon II™ |      | Electric Defrost - Low<br>Amps |                      |      |      | Electric Defrost - High<br>Amps |                      |       |      |
|------------|--------------|------------|------|-------|----------------------------|------|--------------------------------|----------------------|------|------|---------------------------------|----------------------|-------|------|
|            |              | Model      | RLA  | LRA   | MCA                        | MOPD | Defrost<br>Heater<br>Amps*     | Evap.<br>Fan<br>Amps | MCA  | MOPD | Defrost<br>Heater<br>Amps*      | Evap.<br>Fan<br>Amps | MCA   | MOPD |
| SRN0400H2C | 208-230/3/60 | NRB2-0400  | 19.6 | 141.0 | 24.4                       | 40   | 20 (1)                         | 6                    | 30.4 | 50   | 40 (1)                          | 12                   | 50.0  | 50   |
| SRN0400H2D | 460/3/60     | NRB2-0400  | 10.1 | 62.5  | 15.0                       | 20   | 10 (1)                         | 3                    | 20.0 | 25   | 20 (1)                          | 6                    | 25.0  | 25   |
| SRN0400H2E | 575/3/60     | NRB2-0400  | 8.3  | 53.4  | 15.0                       | 15   | 8 (1)                          | 3                    | 15.0 | 20   | 16 (1)                          | 5                    | 20.0  | 20   |
| SRN0499H2C | 208-230/3/60 | 2DC3R53KE  | 20.0 | 120.0 | 25.0                       | 45   | 20 (1)                         | 6                    | 31.0 | 50   | 40 (1)                          | 12                   | 50.0  | 50   |
| SRN0499H2D | 460/3/60     | 2DC3R53KE  | 9.4  | 60.0  | 15.0                       | 20   | 10 (1)                         | 3                    | 15.0 | 20   | 20 (1)                          | 6                    | 25.0  | 25   |
| SRN0499H2E | 575/3/60     | 2DC3R53KE  | 6.9  | 49.0  | 15.0                       | 15   | 8 (1)                          | 3                    | 15.0 | 15   | 16 (1)                          | 5                    | 20.0  | 20   |
| SRN0500H2C | 208-230/3/60 | 2DD3R63KE  | 20.0 | 120.0 | 25.0                       | 40   | 20 (1)                         | 6                    | 31.0 | 50   | 40 (1)                          | 12                   | 50.0  | 50   |
| SRN0500H2D | 460/3/60     | 2DD3R63KE  | 9.4  | 60.0  | 15.0                       | 20   | 10 (1)                         | 3                    | 15.0 | 20   | 20 (1)                          | 6                    | 25.0  | 25   |
| SRN0500H2E | 575/3/60     | 2DD3R63KE  | 7.1  | 49.0  | 15.0                       | 15   | 8 (1)                          | 3                    | 15.0 | 15   | 16 (1)                          | 5                    | 20.0  | 20   |
| SRN0500M6C | 208-230/3/60 | 2DC3R53KE  | 20.0 | 120.0 | 25.0                       | 45   | 20 (1)                         | 6                    | 31.0 | 50   | 40 (1)                          | 12                   | 50.0  | 50   |
| SRN0500M6D | 460/3/60     | 2DC3R53KE  | 9.4  | 60.0  | 15.0                       | 20   | 10 (1)                         | 3                    | 15.0 | 20   | 20 (1)                          | 6                    | 25.0  | 25   |
| SRN0500M6E | 575/3/60     | 2DC3R53KE  | 6.9  | 49.0  | 15.0                       | 15   | 8 (1)                          | 3                    | 15.0 | 15   | 16 (1)                          | 5                    | 20.0  | 20   |
| SRN0750H2C | 208-230/3/60 | 2DL3R78KE  | 28.3 | 169.0 | 35.4                       | 60   | 40 (1)                         | 12                   | 50.0 | 70   | 70 (2)                          | 16                   | 87.5  | 90   |
| SRN0750H2D | 460/3/60     | 2DL3R78KE  | 12.4 | 85.0  | 20.0                       | 25   | 20 (1)                         | 6                    | 25.0 | 30   | 40 (1)                          | 12                   | 50.0  | 50   |
| SRN0750H2E | 575/3/60     | 2DL3R78KE  | 11.9 | 67.0  | 15.0                       | 25   | 16 (1)                         | 5                    | 20.0 | 30   | 32 (1)                          | 10                   | 40.0  | 40   |
| SRN0760H2C | 208-230/3/60 | 2DA3R89KE  | 28.7 | 169.0 | 35.9                       | 60   | 40 (1)                         | 12                   | 50.0 | 70   | 70 (2)                          | 16                   | 87.5  | 90   |
| SRN0760H2D | 460/3/60     | 2DA3R89KE  | 12.6 | 85.0  | 20.0                       | 25   | 20 (1)                         | 6                    | 25.0 | 30   | 40 (1)                          | 12                   | 50.0  | 50   |
| SRN0760H2E | 575/3/60     | 2DA3R89KE  | 11.9 | 67.0  | 15.0                       | 25   | 16 (1)                         | 5                    | 20.0 | 30   | 32 (1)                          | 10                   | 40.0  | 40   |
| SRN0761H2C | 208-230/3/60 | 3DA3R10ME  | 36.8 | 215.0 | 46.0                       | 80   | 40 (1)                         | 12                   | 58.0 | 90   | 70 (2)                          | 16                   | 87.5  | 90   |
| SRN0761H2D | 460/3/60     | 3DA3R10ME  | 17.9 | 106.0 | 22.4                       | 40   | 20 (1)                         | 6                    | 28.4 | 45   | 40 (1)                          | 12                   | 50.0  | 50   |
| SRN0761H2E | 575/3/60     | 3DA3R10ME  | 14.7 | 84.0  | 20.0                       | 30   | 16 (1)                         | 5                    | 23.4 | 35   | 32 (1)                          | 10                   | 40.0  | 40   |
| SRN1000H2C | 208-230/3/60 | 3DB3R12ME  | 39.1 | 215.0 | 48.9                       | 80   | 40 (1)                         | 12                   | 60.9 | 90   | 70 (2)                          | 16                   | 87.5  | 100  |
| SRN1000H2D | 460/3/60     | 3DB3R12ME  | 17.9 | 106.0 | 22.4                       | 40   | 20 (1)                         | 6                    | 28.4 | 45   | 40 (1)                          | 12                   | 50.0  | 50   |
| SRN1000H2E | 575/3/60     | 3DB3R12ME  | 14.8 | 84.0  | 20.0                       | 30   | 16 (1)                         | 5                    | 23.5 | 35   | 32 (1)                          | 10                   | 40.0  | 40   |
| SRN1500H2C | 208-230/3/60 | 3DS3R17ME  | 53.5 | 275.0 | 66.9                       | 110  | 70 (2)                         | 16                   | 87.5 | 125  | 96 (2)                          | 25                   | 120.0 | 125  |
| SRN1500H2D | 460/3/60     | 3DS3R17ME  | 26.0 | 138.0 | 32.5                       | 50   | 40 (1)                         | 12                   | 50.0 | 70   | 70 (2)                          | 16                   | 87.5  | 90   |
| SRN1500H2E | 575/3/60     | 3DS3R17ME  | 21.2 | 110.0 | 26.4                       | 45   | 32 (1)                         | 10                   | 40.0 | 50   | 56 (2)                          | 12                   | 70.0  | 70   |
| SRN2000H2C | 208-230/3/60 | 4DA3R18ME  | 52.7 | 308.0 | 65.9                       | 110  | 70 (2)                         | 16                   | 87.5 | 125  | 96 (2)                          | 25                   | 120.0 | 125  |
| SRN2000H2D | 460/3/60     | 4DA3R18ME  | 26.3 | 154.0 | 32.9                       | 50   | 40 (1)                         | 12                   | 50.0 | 70   | 70 (2)                          | 16                   | 87.5  | 90   |
| SRN2000H2E | 575/3/60     | 4DA3R18ME  | 21.3 | 135.0 | 26.7                       | 45   | 32 (1)                         | 10                   | 40.0 | 50   | 56 (2)                          | 12                   | 70.0  | 70   |

\*Number of defrost heater contactors in parentheses

RLA - Rated Load Amps

MCA - Minimum Circuit Ampacity

LRA - Locked Rotor Amps

MOPD - Maximum Overcurrent Protection Device

For additional capacity sizes and options, please contact the factory at 800-537-7775



# Electrical Data

## SRN Model - Low Temperature

| Model      | Power Supply | Compressor |      |       | Air Defrost/<br>Beacon II™ |      | Electric Defrost - Low<br>Amps |                      |      |      | Electric Defrost - High<br>Amps |                      |       |      |
|------------|--------------|------------|------|-------|----------------------------|------|--------------------------------|----------------------|------|------|---------------------------------|----------------------|-------|------|
|            |              | Model      | RLA  | LRA   | MCA                        | MOPD | Defrost<br>Heater<br>Amps*     | Evap.<br>Fan<br>Amps | MCA  | MOPD | Defrost<br>Heater<br>Amps*      | Evap.<br>Fan<br>Amps | MCA   | MOPD |
| SRN0311L6G | 230/1/60     | 2DF3F16KE  | 22.9 | 125.0 | 28.7                       | 50   | 20 (1)                         | 6                    | 34.7 | 50   | 40 (1)                          | 12                   | 50.0  | 60   |
| SRN0311L6C | 208-230/3/60 | 2DF3F16KE  | 14.4 | 102.0 | 20.0                       | 30   | 20 (1)                         | 6                    | 25.0 | 35   | 40 (1)                          | 12                   | 50.0  | 50   |
| SRN0311L6D | 460/3/60     | 2DF3F16KE  | 7.1  | 52.0  | 15.0                       | 15   | 10 (1)                         | 3                    | 15.0 | 15   | 20 (1)                          | 6                    | 25.0  | 25   |
| SRN0311L6E | 575/3/60     | 2DF3F16KE  | 6.0  | 41.0  | 15.0                       | 15   | 8 (1)                          | 3                    | 15.0 | 15   | 16 (1)                          | 5                    | 20.0  | 20   |
| SRN0400L6C | 208-230/3/60 | 2DL3F20KE  | 23.6 | 161.0 | 29.5                       | 50   | 20 (1)                         | 6                    | 35.5 | 50   | 40 (1)                          | 12                   | 50.0  | 60   |
| SRN0400L6D | 460/3/60     | 2DL3F20KE  | 9.2  | 60.0  | 15.0                       | 20   | 10 (1)                         | 3                    | 15.0 | 20   | 20 (1)                          | 6                    | 25.0  | 25   |
| SRN0400L6E | 575/3/60     | 2DL3F20KE  | 6.9  | 49.0  | 15.0                       | 15   | 8 (1)                          | 3                    | 15.0 | 15   | 16 (1)                          | 5                    | 20.0  | 20   |
| SRN0599L6C | 208-230/3/60 | 2DA3F23KE  | 25.8 | 161.0 | 32.3                       | 50   | 20 (1)                         | 6                    | 38.3 | 60   | 40 (1)                          | 12                   | 50.0  | 70   |
| SRN0599L6D | 460/3/60     | 2DA3F23KE  | 9.2  | 60.0  | 15.0                       | 20   | 10 (1)                         | 3                    | 15.0 | 20   | 20 (1)                          | 6                    | 25.0  | 25   |
| SRN0599L6E | 575/3/60     | 2DA3F23KE  | 8.1  | 49.0  | 15.0                       | 15   | 8 (1)                          | 3                    | 15.0 | 20   | 16 (1)                          | 5                    | 20.0  | 20   |
| SRN0600L6C | 208-230/3/60 | 2DB3F25KE  | 25.3 | 161.0 | 31.7                       | 50   | 20 (1)                         | 6                    | 37.7 | 60   | 40 (1)                          | 12                   | 50.0  | 60   |
| SRN0600L6D | 460/3/60     | 2DB3F25KE  | 11.9 | 80.0  | 15.0                       | 25   | 10 (1)                         | 3                    | 20.0 | 25   | 20 (1)                          | 6                    | 25.0  | 30   |
| SRN0600L6E | 575/3/60     | 2DB3F25KE  | 8.6  | 63.0  | 15.0                       | 15   | 8 (1)                          | 3                    | 15.0 | 20   | 16 (1)                          | 5                    | 20.0  | 20   |
| SRN0601L6C | 208-230/3/60 | 3DA3F28KE  | 24.0 | 150.0 | 30.1                       | 50   | 20 (1)                         | 6                    | 36.1 | 60   | 40 (1)                          | 12                   | 50.0  | 60   |
| SRN0601L6D | 460/3/60     | 3DA3F28KE  | 10.8 | 77.0  | 15.0                       | 20   | 10 (1)                         | 3                    | 20.0 | 25   | 20 (1)                          | 6                    | 25.0  | 30   |
| SRN0601L6E | 575/3/60     | 3DA3F28KE  | 9.4  | 62.0  | 15.0                       | 20   | 8 (1)                          | 3                    | 15.0 | 20   | 16 (1)                          | 5                    | 20.0  | 25   |
| SRN0750L6C | 208-230/3/60 | 3DB3F33KE  | 27.6 | 161.0 | 34.5                       | 60   | 40 (1)                         | 12                   | 50.0 | 70   | 70 (2)                          | 16                   | 87.5  | 90   |
| SRN0750L6D | 460/3/60     | 3DB3F33KE  | 14.1 | 83.0  | 20.0                       | 30   | 20 (1)                         | 6                    | 25.0 | 35   | 40 (1)                          | 12                   | 50.0  | 50   |
| SRN0750L6E | 575/3/60     | 3DB3F33KE  | 9.9  | 67.0  | 15.0                       | 20   | 16 (1)                         | 5                    | 20.0 | 25   | 32 (1)                          | 10                   | 40.0  | 40   |
| SRN0900L6C | 208-230/3/60 | 3DF3F40KE  | 33.2 | 215.0 | 41.5                       | 70   | 40 (1)                         | 12                   | 53.5 | 80   | 70 (2)                          | 16                   | 87.5  | 90   |
| SRN0900L6D | 460/3/60     | 3DF3F40KE  | 15.0 | 106.0 | 20.0                       | 30   | 20 (1)                         | 6                    | 25.0 | 35   | 40 (1)                          | 12                   | 50.0  | 50   |
| SRN0900L6E | 575/3/60     | 3DF3F40KE  | 14.1 | 84.0  | 20.0                       | 30   | 16 (1)                         | 5                    | 22.6 | 35   | 32 (1)                          | 10                   | 40.0  | 40   |
| SRN1000L6C | 208-230/3/60 | SDS3F46KE  | 37.2 | 215.0 | 46.5                       | 80   | 40 (1)                         | 12                   | 58.5 | 90   | 70 (2)                          | 16                   | 87.5  | 90   |
| SRN1000L6D | 460/3/60     | SDS3F46KE  | 16.7 | 106.0 | 20.8                       | 35   | 20 (1)                         | 6                    | 26.8 | 40   | 40 (1)                          | 12                   | 50.0  | 50   |
| SRN1000L6E | 575/3/60     | SDS3F46KE  | 14.6 | 84.0  | 20.0                       | 30   | 16 (1)                         | 5                    | 23.2 | 35   | 32 (1)                          | 10                   | 40.0  | 40   |
| SRN1500L6C | 208-230/3/60 | 4DL3F63KE  | 47.2 | 278.0 | 59.0                       | 100  | 70 (2)                         | 16                   | 87.5 | 110  | 96 (2)                          | 25                   | 120.0 | 125  |
| SRN1500L6D | 460/3/60     | 4DL3F63KE  | 23.6 | 139.0 | 29.5                       | 50   | 40 (1)                         | 12                   | 50.0 | 60   | 70 (2)                          | 16                   | 87.5  | 90   |
| SRN1500L6E | 575/3/60     | 4DL3F63KE  | 18.8 | 113.0 | 23.5                       | 40   | 32 (1)                         | 10                   | 40.0 | 50   | 56 (2)                          | 12                   | 70.0  | 70   |
| SRN2200L6C | 208-230/3/60 | 4DT3F76KE  | 59.2 | 374.0 | 74.0                       | 125  | 70 (2)                         | 16                   | 90.0 | 125  | 96 (2)                          | 25                   | 120.0 | 150  |
| SRN2200L6D | 460/3/60     | 4DT3F76KE  | 29.6 | 187.0 | 37.0                       | 60   | 40 (1)                         | 12                   | 50.0 | 70   | 70 (2)                          | 16                   | 87.5  | 90   |
| SRN2200L6E | 575/3/60     | 4DT3F76KE  | 21.7 | 135.0 | 27.1                       | 45   | 32 (1)                         | 10                   | 40.0 | 50   | 56 (2)                          | 12                   | 70.0  | 70   |

\*Number of defrost heater contactors in parentheses

RLA - Rated Load Amps

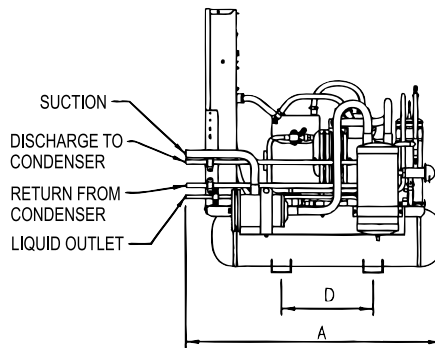
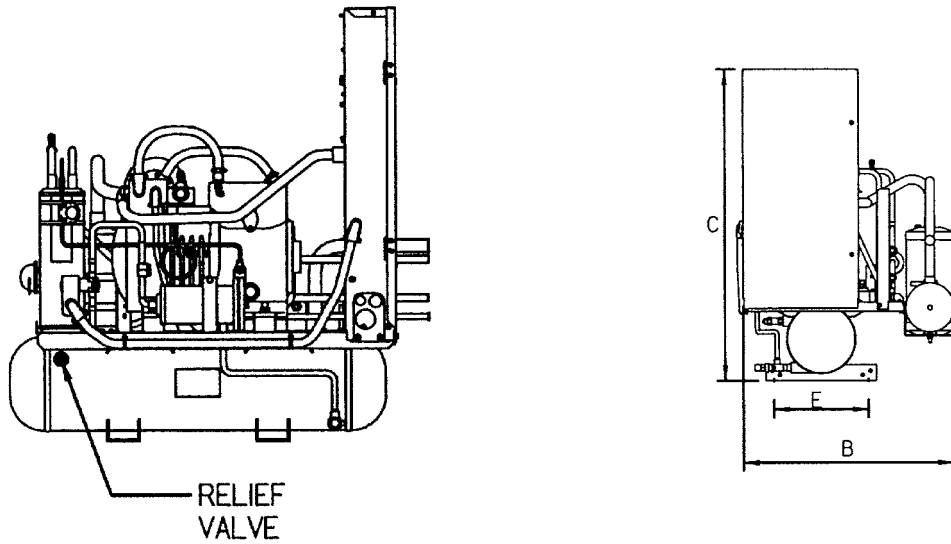
MCA - Minimum Circuit Ampacity

LRA - Locked Rotor Amps

MOPD - Maximum Overcurrent Protection Device

For additional capacity sizes and options, please contact the factory at 800-537-7775

# Physical Data



## Maximum Dimensions with Options

| Horsepower  | A       | B       | C       | D       | E   |
|-------------|---------|---------|---------|---------|-----|
| 3/4 to 2    | 35"     | 23-3/4" | 36-3/8" | 13-1/2" | 12" |
| 3 to 4      | 40"     | 26-3/4" | 39-1/4" | 13-1/2" | 12" |
| 5 to 6      | 42-1/2" | 30-3/8" | 39-1/4" | 13-1/2" | 12" |
| 7-1/2 to 22 | 47"     | 35-3/8" | 43-1/2" | 24"     | 12" |

NOTES: Please refer to submittal drawings for exact model dimensions

# Physical Data

## SRN Model - High & Medium Temperature

| Model     | Compressor | Connections (in.) |           |             |                  | 90% Rec. Capacity (Lbs.) | Dimensions (in.) |       |      | Approx. Net Wt. (Lbs.) |
|-----------|------------|-------------------|-----------|-------------|------------------|--------------------------|------------------|-------|------|------------------------|
|           |            | Suction           | Discharge | Liquid Line | Condenser Return |                          | H                | W     | D    |                        |
| SRN0075H2 | KAN1-0075  | 5/8               | 3/8       | 3/8         | 3/8              | 30                       | 36.38            | 23.75 | 35.0 | 155                    |
| SRN0075M2 | KAE1-0075  | 5/8               | 3/8       | 3/8         | 3/8              | 30                       | 36.38            | 23.75 | 35.0 | 155                    |
| SRN0090H2 | KARA-010E  | 5/8               | 1/2       | 3/8         | 3/8              | 30                       | 36.38            | 23.75 | 35.0 | 160                    |
| SRN0090M2 | KARA-010E  | 7/8               | 1/2       | 3/8         | 3/8              | 26                       | 36.38            | 23.75 | 35.0 | 160                    |
| SRN0100H2 | KAM1-0100  | 7/8               | 1/2       | 3/8         | 3/8              | 30                       | 36.38            | 23.75 | 35.0 | 160                    |
| SRN0150H2 | KAGA-0150  | 7/8               | 1/2       | 3/8         | 3/8              | 30                       | 36.38            | 23.75 | 35.0 | 175                    |
| SRN0199M2 | KAKA-020E  | 7/8               | 1/2       | 3/8         | 1/2              | 26                       | 36.38            | 23.75 | 35.0 | 200                    |
| SRN0200H2 | ERA1-0200  | 7/8               | 1/2       | 3/8         | 1/2              | 30                       | 36.38            | 23.75 | 35.0 | 245                    |
| SRN0200M2 | ERC1-0200  | 7/8               | 1/2       | 3/8         | 1/2              | 30                       | 36.38            | 23.75 | 35.0 | 245                    |
| SRN0200M6 | ERCA-021E  | 7/8               | 1/2       | 3/8         | 1/2              | 26                       | 36.38            | 23.75 | 35.0 | 245                    |
| SRN0300H2 | ERF1-0311  | 1-1/8             | 5/8       | 1/2         | 5/8              | 66                       | 39.25            | 26.75 | 40.0 | 305                    |
| SRN0310M6 | ERFA-031E  | 1-1/8             | 5/8       | 1/2         | 5/8              | 57                       | 39.25            | 26.75 | 40.0 | 305                    |
| SRN0400H2 | NRB2-0400  | 1-1/8             | 5/8       | 1/2         | 5/8              | 66                       | 39.25            | 26.75 | 40.0 | 360                    |
| SRN0499H2 | 2DC3R53KE  | 1-3/8             | 7/8       | 5/8         | 5/8              | 66                       | 39.25            | 26.75 | 40.0 | 375                    |
| SRN0500H2 | 2DD3R63KE  | 1-3/8             | 7/8       | 5/8         | 5/8              | 66                       | 39.25            | 30.38 | 42.5 | 375                    |
| SRN0500M6 | 2DC3R53KE  | 1-3/8             | 7/8       | 5/8         | 5/8              | 57                       | 39.25            | 30.38 | 42.5 | 375                    |
| SRN0750H2 | 2DL3R78KE  | 1-3/8             | 7/8       | 5/8         | 7/8              | 122                      | 43.5             | 35.38 | 47.0 | 385                    |
| SRN0760H2 | 2DA3R89KE  | 1-3/8             | 7/8       | 5/8         | 7/8              | 122                      | 43.5             | 35.38 | 47.0 | 385                    |
| SRN0761H2 | 3DA3R10ME  | 1-3/8             | 1-1/8     | 5/8         | 7/8              | 122                      | 43.5             | 35.38 | 47.0 | 385                    |
| SRN1000H2 | 3DB3R12ME  | 1-5/8             | 1-1/8     | 7/8         | 7/8              | 122                      | 43.5             | 35.38 | 47.0 | 595                    |
| SRN1500H2 | 3DS3R17ME  | 1-5/8             | 1-1/8     | 7/8         | 1-1/8            | 171                      | 43.5             | 35.38 | 47.0 | 615                    |
| SRN2000H2 | 4DA3R18ME  | 1-5/8             | 1-3/8     | 7/8         | 1-1/8            | 171                      | 43.5             | 35.38 | 47.0 | 665                    |

## SRN Model - Low Temperature

| Model     | Compressor | Connections (in.) |           |             |                  | 90% Rec. Capacity (Lbs.) | Dimensions (in.) |       |      | Approx. Net Wt. (Lbs.) |
|-----------|------------|-------------------|-----------|-------------|------------------|--------------------------|------------------|-------|------|------------------------|
|           |            | Suction           | Discharge | Liquid Line | Condenser Return |                          | H                | W     | D    |                        |
| SRN0150L6 | KALA-016E  | 7/8               | 1/2       | 3/8         | 3/8              | 26                       | 36.38            | 23.75 | 35.0 | 175                    |
| SRN0200L6 | EADA-020E  | 7/8               | 1/2       | 3/8         | 1/2              | 26                       | 36.38            | 23.75 | 35.0 | 305                    |
| SRN0210L6 | EAVA-021E  | 7/8               | 1/2       | 3/8         | 1/2              | 26                       | 36.38            | 23.75 | 35.0 | 305                    |
| SRN0310L6 | LAHA-032E  | 1-1/8             | 5/8       | 1/2         | 5/8              | 26                       | 39.25            | 26.75 | 40.0 | 305                    |
| SRN0310E6 | LACA-032E  | 1-1/8             | 5/8       | 1/2         | 5/8              | 26                       | 39.25            | 26.75 | 40.0 | 305                    |
| SRN0311L6 | 2DF3F16KE  | 1-3/8             | 7/8       | 1/2         | 5/8              | 57                       | 39.25            | 26.75 | 40.0 | 320                    |
| SRN0400L6 | 2DL3F20KE  | 1-3/8             | 7/8       | 1/2         | 5/8              | 57                       | 39.25            | 26.75 | 40.0 | 360                    |
| SRN0599L6 | 2DA3F23KE  | 1-3/8             | 7/8       | 5/8         | 5/8              | 57                       | 39.25            | 30.38 | 42.5 | 390                    |
| SRN0600L6 | 2DB3F25KE  | 1-3/8             | 7/8       | 5/8         | 5/8              | 57                       | 39.25            | 30.38 | 42.5 | 390                    |
| SRN0601L6 | 3DA3F28KE  | 1-3/8             | 1-1/8     | 5/8         | 5/8              | 57                       | 39.25            | 30.38 | 42.5 | 405                    |
| SRN0750L6 | 3DB3F33KE  | 1-5/8             | 1-1/8     | 5/8         | 7/8              | 106                      | 43.5             | 35.38 | 47.0 | 385                    |
| SRN0900L6 | 3DF3F40KE  | 1-5/8             | 1-1/8     | 5/8         | 7/8              | 106                      | 43.5             | 35.38 | 47.0 | 465                    |
| SRN1000L6 | 3DS3F46KE  | 1-5/8             | 1-1/8     | 7/8         | 7/8              | 106                      | 43.5             | 35.38 | 47.0 | 595                    |
| SRN1500L6 | 4DL3F63KE  | 2-1/8             | 1-1/8     | 7/8         | 7/8              | 106                      | 43.5             | 35.38 | 47.0 | 655                    |
| SRN2200L6 | 4DT3F76KE  | 2-1/8             | 1-1/8     | 7/8         | 7/8              | 106                      | 43.5             | 35.38 | 47.0 | 725                    |

**NOTES:** Receiver refrigerant holding capacity refers to the weight of the type of refrigerant indicated by the model number (i.e. H2, M2 = R-22; M6, L6, E6 = R-404A/R-507)

Dimensions are maximum dimensions with options. Please refer to submittal drawings for specific model dimensions

For additional capacity sizes and options, please contact the factory at 800-537-7775



For more information on Bohn refrigeration products, contact your Sales Representative or visit us at [www.thecoldstandard.com](http://www.thecoldstandard.com).



**A Brand of Heatcraft Refrigeration Products LLC**  
2175 West Park Place Blvd. • Stone Mountain, GA • 30087  
(800) 537-7775 • FAX (770) 465-5990

[www.thecoldstandard.com](http://www.thecoldstandard.com)

Since product improvement is a continuing effort, we reserve the right to make changes in specifications without notice.

BN-RCUTB-0407 | Version 001

## Free Manuals Download Website

<http://myh66.com>

<http://usermanuals.us>

<http://www.somanuals.com>

<http://www.4manuals.cc>

<http://www.manual-lib.com>

<http://www.404manual.com>

<http://www.luxmanual.com>

<http://aubethermostatmanual.com>

Golf course search by state

<http://golfingnear.com>

Email search by domain

<http://emailbydomain.com>

Auto manuals search

<http://auto.somanuals.com>

TV manuals search

<http://tv.somanuals.com>