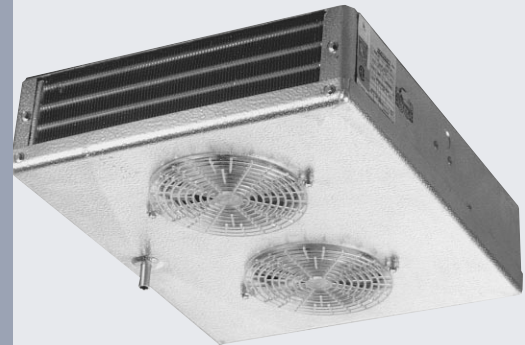
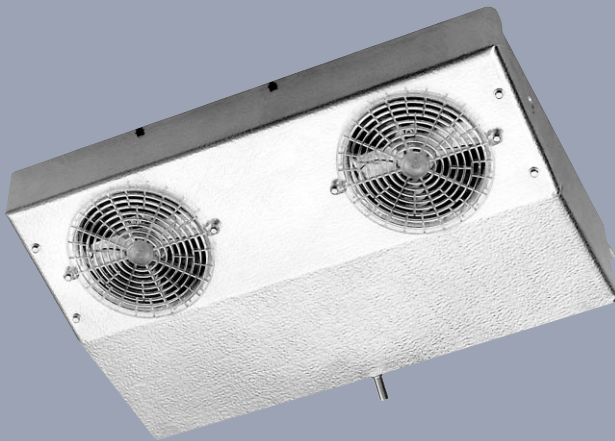


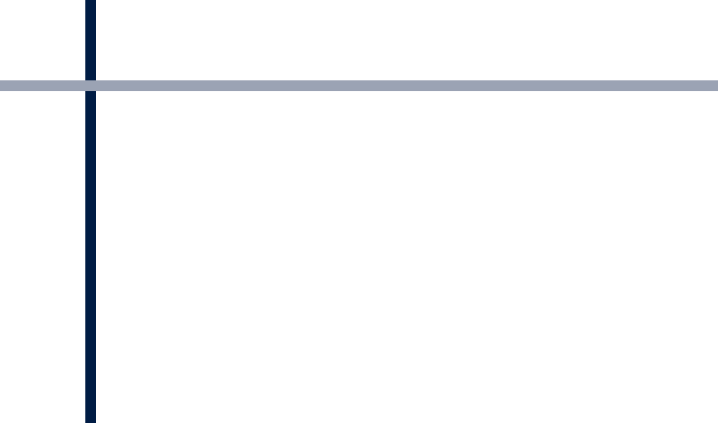
CHANDLER

REFRIGERATION



Chandler Reach In Unit Coolers

Bulletin CH-B-01A
January 2001
Replaces CH-B-01



Model VA Reach In Unit Cooler



APPLICATION

The Model VA unit cooler is a deluxe unit designed for use in small reach-ins, back bar and under counter refrigerators, and many other applications where a small, compact unit is required. The thermal expansion valve mounts inside the unit. The unit can be mounted from the ceiling or off the back wall or end walls.

FEATURES

- Textured aluminum cabinet.
- Molded Lexan® fan guard.
- Improved drain pan overlaps coil surface to catch all condensate.
- Stainless steel screws - prevent rust streaks.
- Plate-type aluminum fins with full collars on expanded copper tubes.
- Expansion valve mounts inside cabinet.

- Internal junction box for electrical connection.
- Pigtail leads in junction box.
- Motors are thermally protected and permanently lubricated.
- Optional corrosion-resistant coated coil available (VAK) for optimum protection in corrosive environments.
- UL listed for the United States and Canada; UL classified to NSF standards.

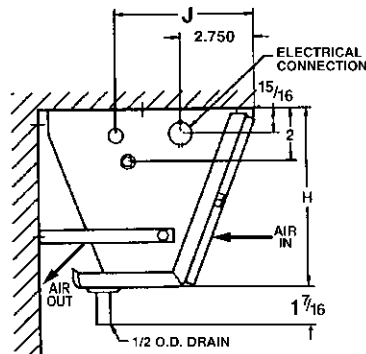
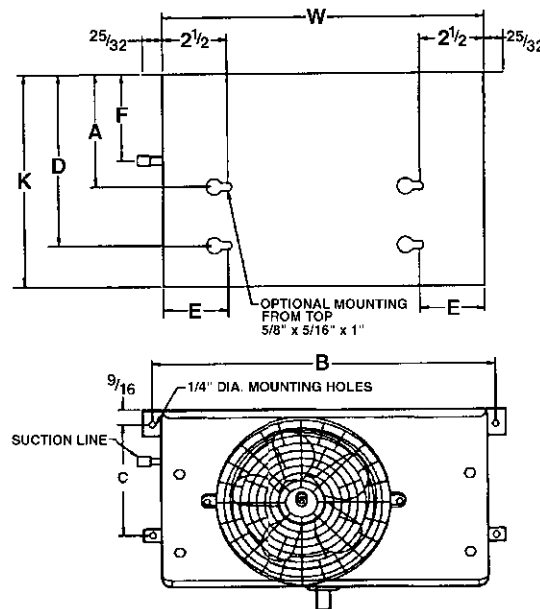
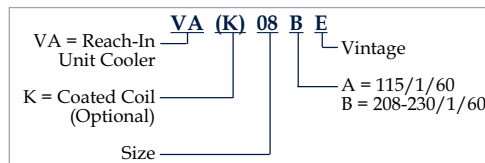
Performance/Electrical Data

MODEL VA	BTUH 10°F TD	MOTOR DATA				CONNECTIONS (INCHES)			APPROX. SHIP WT. (LBS.)
		CFM	QTY	115/1/60 TOTAL FLA	208-230/1/60 TOTAL FLA	COIL INLET	SUCTION	DRAIN	
06	600	135	1	0.8	0.4	1/2FN	3/8ID	1/2OD	9
08	800	130	1	0.8	0.4	1/2FN	3/8ID	1/2OD	9
12	1200	265	1	1.6	0.8	1/2FN	3/8ID	1/2OD	14
17	1700	245	2	1.0	0.5	1/2FN	1/2ID	1/2OD	11

DIMENSIONAL DATA

MODEL VA	DIMENSIONS (INCHES)									
	A	B	C	D	E	F	H	J	K	W
06	4 ⁵ / ₁₆	13 ¹ / ₄	4 ⁵ / ₁₆	—	—	3 ³ / ₈	6 ⁷ / ₈	5 ¹ / ₄	8 ¹ / ₈	12 ¹ / ₂
08	4 ⁵ / ₁₆	13 ¹ / ₄	4 ⁵ / ₁₆	—	—	3 ³ / ₈	6 ⁷ / ₈	5 ¹ / ₄	8 ¹ / ₈	12 ¹ / ₄
12	4 ¹ / ₂	18 ³ / ₄	5 ⁵ / ₁₆	—	—	3 ³ / ₈	8	4 ⁷ / ₈	8 ¹ / ₈	18
17	5 ¹ / ₄	14 ³ / ₄	5 ¹ / ₄	9	2 ¹ / ₂	4	9 ³ / ₄	6 ¹³ / ₁₆	10 ¹ / ₂	14

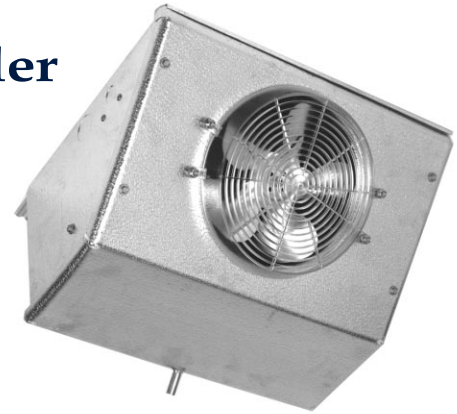
NOMENCLATURE



Model C High Profile Reach In Unit Cooler

APPLICATION

Here is the ideal unit for refrigerated reach-ins. It mounts to the top of the refrigerator and discharges cold air against the back wall. With this air flow pattern, the air is not blasted on the product but is diffused along the back wall and then gently drawn across the product as it returns to the unit. Thus uniform temperatures are maintained throughout the refrigerator. In addition, door sweating and refrigeration loss due to door opening is greatly reduced because the air is not discharged against the doors.



FEATURES

- Textured aluminum cabinet.
- Molded Lexan® fan guard.
- Drain fitting at 45-degree angle so drain can be run through bottom or back of refrigerator.
- Aluminum hangers automatically space the unit the correct distance from the back wall.
- Stainless steel screws - prevent rust streaks.
- Room for expansion valve inside unit.
- Knockouts in sides and top plus openings in rear provide maximum flexibility for electrical connection.
- Full collar aluminum fins on expanded copper tubes.
- Internal junction box with pigtail leads for electrical connection.
- Motors are thermally protected and permanently lubricated.
- UL listed for the United States and Canada; UL classified to NSF standards.
- Optional corrosion-resistant coated coil available (Model CK) for optimum protection in corrosive environments.

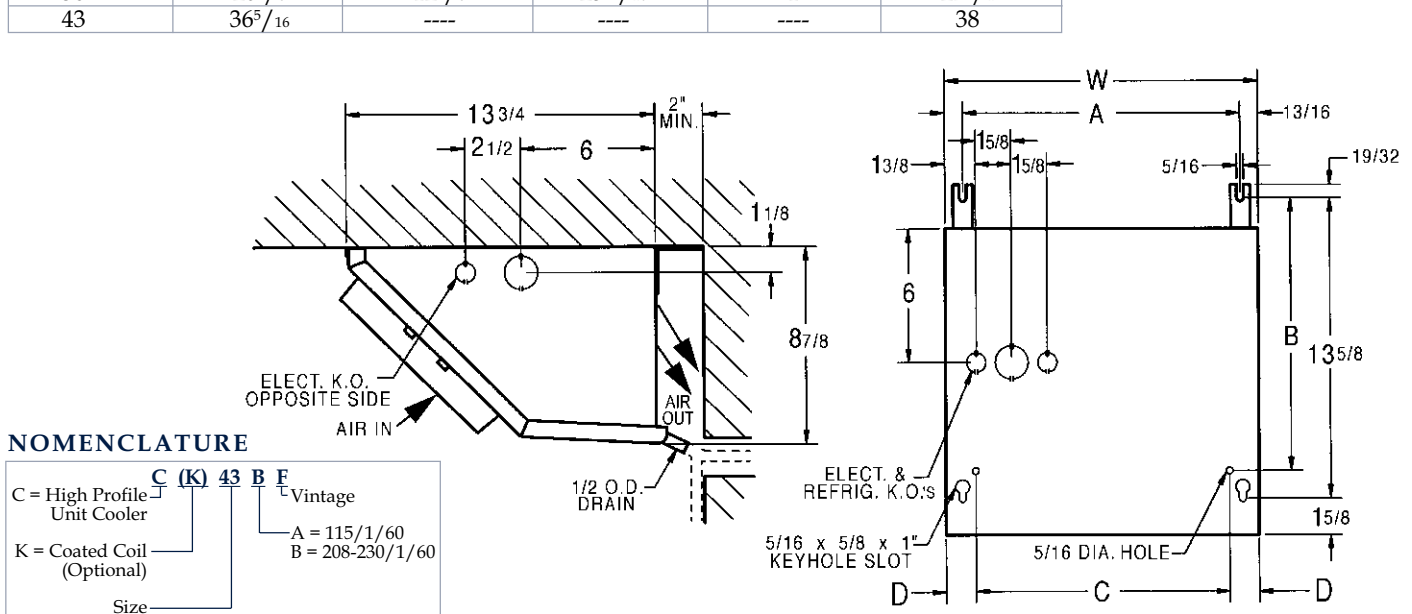
Performance/Electrical Data

MODEL C	BTUH 10' F TD	MOTOR DATA				CONNECTIONS (INCHES)			APPROX. SHIP WT. (LBS.)
		CFM	QTY	115/1/60 TOTAL FLA	208-230/1/60 TOTAL FLA	COIL INLET	SUCTION	DRAIN	
13	1300	235	1	1.0	0.5	1/2FN	3/8ID	1/2OD	16
17	1700	250	1	1.0	0.5	1/2FN	3/8ID	1/2OD	17
23	2300	265	1	1.0	0.5	1/2FN	3/8ID	1/2OD	22
30	3000	480	2	2.0	1.0	1/2FN	1/2ID	1/2OD	27
†43	4300	520	2	2.0	1.0	1/2FN	1/2ID	1/2OD	40

†Size 43 uses external equalized expansion valve.

DIMENSIONAL DATA

MODEL C	DIMENSIONS (INCHES)				
	A	B	C	D	W
13	12 ⁵ / ₈	12 ³ / ₈	11 ⁷ / ₁₆	1 ³ / ₈	14 ¹ / ₄
17	15 ⁵ / ₈	12 ³ / ₈	14 ⁷ / ₁₆	1 ³ / ₈	17 ¹ / ₄
23	21 ¹ / ₈	12 ³ / ₈	21 ¹ / ₁₆	7/8	22 ³ / ₄
30	26 ¹ / ₈	12 ³ / ₈	25 ¹³ / ₁₆	1	27 ³ / ₄
43	36 ⁵ / ₁₆	----	----	----	38



NOMENCLATURE

C = High Profile Unit Cooler	C (K) 43 B F	Vintage
K = Coated Coil (Optional)	A = 115/1/60	B = 208-230/1/60
Size		

Model BTO Twin Flow Reach In Unit Cooler

APPLICATION

Twin flow unit coolers are ideal for temperatures of 35°F and higher. Box temperatures are kept more constant throughout and fresh products last longer. Seven sizes are available with BTUH from 900 to 5,500 at 10° TD. Larger BTO sizes are suitable for large reach-in and small step-in or walk-in coolers.

FEATURES

- Compact two-way design with medium velocity air flow.
- Mounts flush to the ceiling and draws air in through the fan and discharges out both sides.
- Air pattern reduces air loss when doors are opened and the medium velocity reduces product drying.
- Textured aluminum cabinet.
- Stainless steel fasteners.
- Molded Lexan® fan guards - safety approved.
- Drain pan and fan panel is easily removed for installation and servicing.

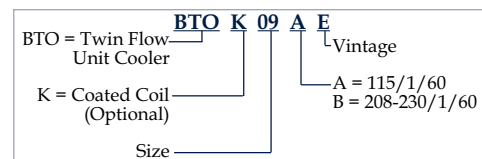


- Coils are copper tube with aluminum fins.
- Expansion valve mounts inside the cabinet.
- Internal junction box is provided for electrical connection.
- Motors are thermally protected and permanently lubricated.
- UL listed for the United States and Canada; UL classified to NSF standards.
- Optional corrosion-resistant coated coil available (Model BTOK) for optimum protection in corrosive environments.

Performance/Electrical Data

BTO(K) MODEL NO.	BTUH		MOTOR DATA			
	10° T.D.	15° T.D.	CFM	QTY	115/1/60 TOTAL FLA	208-230/1/60 TOTAL FLA
09	900	1350	130	1	0.8	0.4
13	1300	1950	240	2	1.6	0.8
18	1800	2700	255	1	1.0	0.5
25	2500	3750	460	2	2.0	1.0
35	3500	5250	425	2	2.0	1.0
45	4500	6750	550	2	2.0	1.0
55	5500	8250	730	1	2.1	1.1

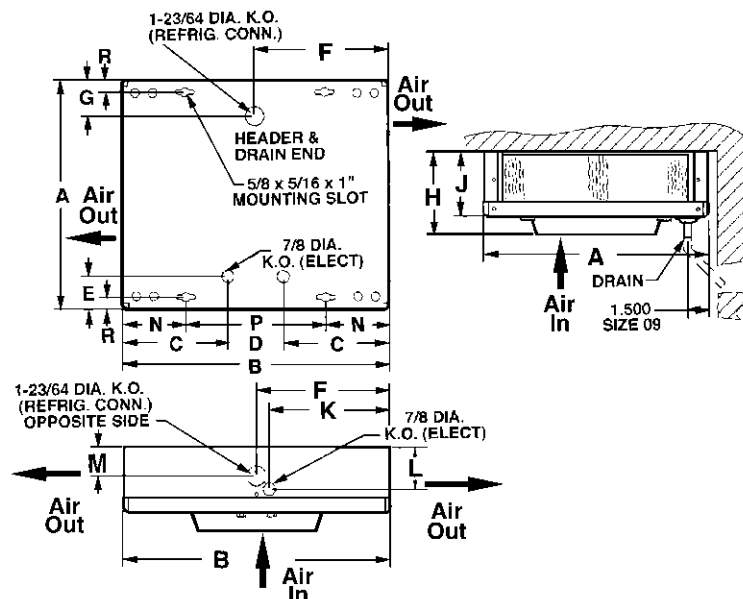
NOMENCLATURE



DIMENSIONAL DATA

BTO(K) MODEL NO.	CONNECTIONS (INCHES)			DIMENSIONS (INCHES)											APPROX. SHIP WT. (LBS.)	
	INLET	SUCTION	DRAIN	A	B	C	D	E	F	G	H	J	K	L		M
09	1/2 FN	1/2 ID	1/2 OD	16 ¹ / ₈	19 ¹ / ₈	7 ⁹ / ₁₆	4	2 ⁵ / ₁₆	9 ⁹ / ₁₆	2 ³ / ₄	4 ⁷ / ₈	4 ¹ / ₂	8 ⁵ / ₈	2 ¹ / ₂	2 ⁵ / ₈	12
13	1/2 FN	1/2 ID	1/2 OD	16 ¹ / ₈	19 ¹ / ₈	7 ⁹ / ₁₆	4	2 ⁵ / ₁₆	9 ⁹ / ₁₆	2 ³ / ₄	5 ³ / ₄	4 ¹ / ₂	8 ⁵ / ₈	2 ¹ / ₂	2 ⁵ / ₈	14
18	1/2 FN	1/2 ID	1/2 OD	16 ¹ / ₈	19 ¹ / ₈	7 ⁹ / ₁₆	4	2 ⁵ / ₁₆	9 ⁹ / ₁₆	2 ³ / ₄	5 ³ / ₄	4 ¹ / ₂	8 ⁵ / ₈	2 ¹ / ₂	2 ⁵ / ₈	15
25	1/2 FN	1/2 ID	1/2 OD	18 ¹ / ₈	26 ¹ / ₈	11 ¹ / ₁₆	4	2 ⁵ / ₁₆	13 ¹ / ₁₆	2 ³ / ₄	6 ³ / ₄	5 ¹ / ₂	12 ¹ / ₈	3 ¹ / ₂	2 ⁵ / ₈	23
35	1/2 FN	1/2 ID	1/2 OD	18 ¹ / ₈	26 ¹ / ₈	11 ¹ / ₁₆	4	2 ⁵ / ₁₆	13 ¹ / ₁₆	2 ³ / ₄	6 ³ / ₄	5 ¹ / ₂	12 ¹ / ₈	3 ¹ / ₂	2 ⁵ / ₈	24
45*	1/2 FN	1/2 ID	5/8 OD	21 ¹ / ₈	29 ¹ / ₈	11 ⁹ / ₁₆	6	3 ⁷ / ₁₆	14 ⁹ / ₁₆	3 ¹ / ₂	9 ¹ / ₄	8	13 ⁵ / ₈	5 ³ / ₈	4 ¹ / ₄	34
55*	1/2 FN	1/2 ID	5/8 OD	21 ¹ / ₈	29 ¹ / ₈	11 ⁹ / ₁₆	6	3 ⁷ / ₁₆	14 ⁹ / ₁₆	3 ¹ / ₂	8 ¹ / ₂	8	13 ⁵ / ₈	5 ³ / ₈	4 ¹ / ₄	34

* Sizes 45 and 55 use external equalized expansion valve.



Model TA

Thin Profile Air Defrost Reach In Unit Cooler

APPLICATION

Model TA is a thin profile unit which mounts in the top of a refrigerator and makes the entire top shelf area usable. The attractive low silhouette makes this unit cooler particularly desirable for display type refrigerators. It can also be used in back bars, under counter cabinets or wherever space is at a premium.

For 35° to 45°F fixtures at 10°F to 15°F TD applications with 16 hours maximum compressor run time per day.



FEATURES

- Textured aluminum cabinet.
- Molded Lexan® fan guards and fan blades.
- Drain fitting mounted at 45-degree angle so drain can be run through the back or bottom of refrigerator.
- Stainless steel screws.
- Motors thermally protected and permanently lubricated.
- Convenient, moisture-proof motor plug.
- Internal junction box for electrical connection.
- UL listed for the United States and Canada; UL classified to NSF standards.
- Optional corrosion-resistant coated coil available (Model TAK) for optimum protection in corrosive environments.

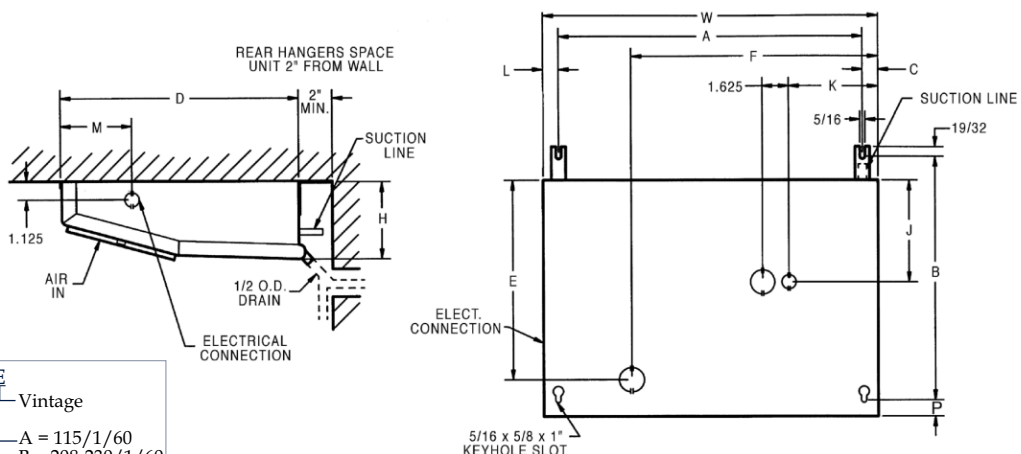
Performance/Electrical Data

MODEL	BTUH 10°F TD	MOTOR DATA				CONNECTIONS (INCHES)			APPROX. SHIP WT. (LBS.)
		CFM	QTY	115/1/60 TOTAL FLA	208-230/1/60 TOTAL FLA	INLET	COIL SUCTION	DRAIN	
10	1000	120	1	0.8	0.4	1/2FN	3/8ID	1/2OD	14
13	1300	170	2	1.6	0.8	1/2FN	3/8ID	1/2OD	17
17	1700	210	2	1.6	0.8	1/2FN	3/8ID	1/2OD	21
23	2300	330	3	2.4	1.2	1/2FN	3/8ID	1/2OD	28
30	3000	360	3	2.4	1.2	1/2FN	1/2ID	1/2OD	33
†43	4300	540	4	3.2	1.6	1/2FN	5/8ID	1/2OD	44
†55	5500	650	5	4.0	2.0	1/2FN	5/8ID	1/2OD	53

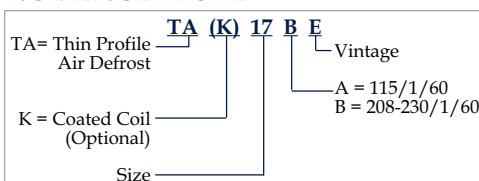
† Models 43 and 55 use external equalized expansion valve.

Dimensional Data

MODEL	DIMENSIONS (INCHES)												
	TA	A	B	C	D	E	F	H	J	K	L	M	W
10	14 ⁵ / ₈	14	15 ¹⁵ / ₁₆	13 ¹ / ₂	10 ¹ / ₂	11 ³ / ₈	4 ¹ / ₂	8 ⁷ / ₈	2 ¹ / ₂	15 ¹⁵ / ₁₆	4 ³ / ₈	16 ¹ / ₂	
13	18 ⁵ / ₈	14	15 ¹⁵ / ₁₆	13 ¹ / ₂	10 ¹ / ₈	10 ¹ / ₄	4 ¹ / ₂	8 ³ / ₈	9 ¹ / ₂	15 ¹⁵ / ₁₆	4 ³ / ₈	20 ¹ / ₂	
17	22 ¹ / ₈	15	15 ¹⁵ / ₁₆	14 ¹ / ₂	11 ¹ / ₈	12	4 ¹ / ₂	9 ³ / ₈	11 ¹ / ₄	15 ¹⁵ / ₁₆	4 ³ / ₈	24	
23	29 ³ / ₄	15	15 ¹⁵ / ₁₆	14 ¹ / ₂	13	20 ⁷ / ₈	4 ¹ / ₂	10 ³ / ₄	10 ¹ / ₄	15 ¹⁵ / ₁₆	4 ³ / ₈	31 ⁵ / ₈	
30	38 ¹ / ₈	15	15 ¹⁵ / ₁₆	14 ¹ / ₂	13	29 ³ / ₄	4 ¹ / ₂	10 ³ / ₄	9 ³ / ₄	15 ¹⁵ / ₁₆	4 ³ / ₈	40	
43	51 ¹ / ₂	15	15 ¹⁵ / ₁₆	14 ¹ / ₂	13	48 ³ / ₄	4 ¹ / ₂	10 ³ / ₄	13 ¹ / ₄	15 ¹⁵ / ₁₆	4 ³ / ₈	53 ³ / ₈	
55	51 ¹ / ₂	15	15 ¹⁵ / ₁₆	14 ¹ / ₂	13	49	6 ³ / ₄	10 ³ / ₄	11	15 ¹⁵ / ₁₆	4 ³ / ₈	53 ³ / ₈	



NOMENCLATURE



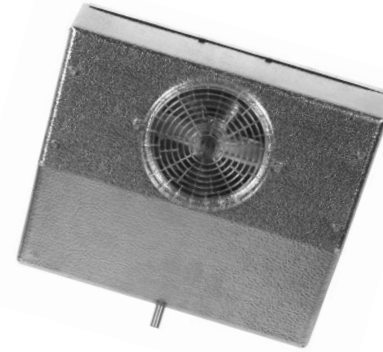
Model TL Thin Profile Electric Defrost Reach In Unit Cooler

APPLICATION

The TL low temperature unit cooler has a completely automatic defrost system. Mounted in the top of a refrigerator, its extremely compact cabinet makes it possible to utilize the entire top shelf area for storage. Having a normal operating range of +15°F to -20°F, this unit is ideally suited for such applications as commercial freezers, ice cream boxes, and bakery freezers.

FEATURES

- Electric defrost insures positive heat source.
- Built-in fan delay allows coil to be chilled before returning to the normal cooling cycle.
- Defrost terminates on coil temperature eliminating excessive defrost period.
- Defrost termination and fan delay control, terminal block and junction box are mounted inside the cabinet.
- Textured aluminum cabinet.
- Molded Lexan® fan guards - safety approved.
- Knockouts provided on sides for electrical connections - opening in rear for coil connections.
- Stainless steel screws.
- Motors are thermally protected and permanently lubricated.
- Internal junction box for electrical connection.
- Plate type aluminum fins with full collars - copper tubes.
- Coils are dehydrated and sealed.
- Easy to install and maintain.
- UL listed for the United States and Canada; UL classified to NSF standards.



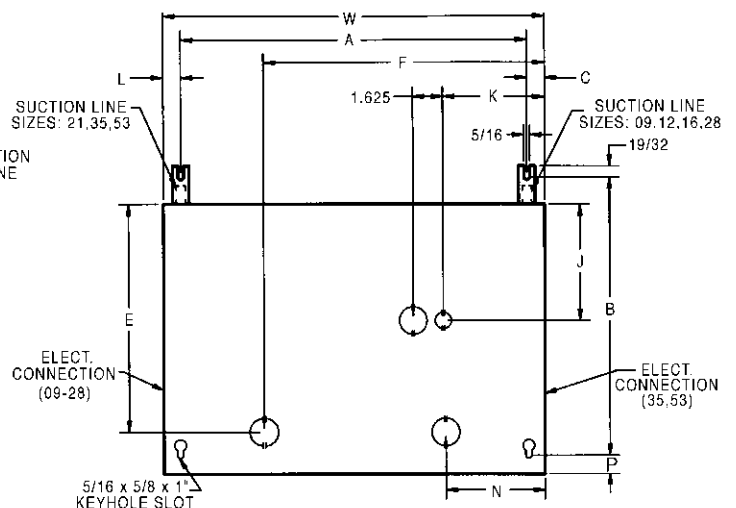
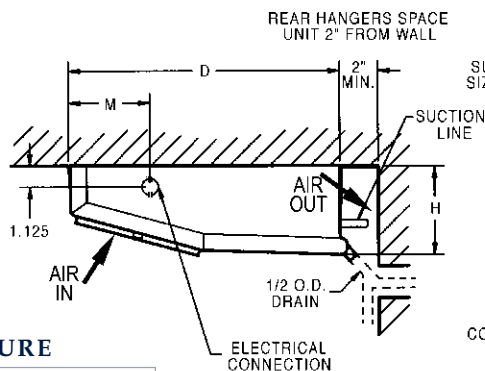
Performance/Electrical Data

MODEL	BTUH 10°F TD		MOTOR DATA				HEATER DATA			CONNECTIONS (INCHES)			APPROX. SHIP WT. (LBS.)
	+20°F SST	-10°F SST	CFM	QTY	115/1/60 TOTALFLA	208-230/1/60 TOTALFLA	WATTS	115/1/60 AMPS	208-230/1/60 AMPS	COIL INLET	SUCTION	DRAIN	
09	1050	900	110	1	0.8	0.4	475	4.1	2.1	1/2FN	3/8ID	1/2OD	14
12	1380	1200	210	2	1.6	0.8	600	5.2	2.6	1/2FN	3/8ID	1/2OD	19
16	1780	1600	210	2	1.6	0.8	700	6.1	3.0	1/2FN	1/2ID	1/2OD	23
21	2400	2100	240	1	1.0	0.5	1100	9.6	4.8	1/2FN	1/2ID	1/2OD	24
28	3200	2800	335	3	---	1.2	1430	---	5.7	1/2FN	5/8ID	1/2OD	27
*35	4000	3500	420	2	---	1.0	1600	---	7.0	1/2FN	5/8ID	1/2OD	38
*53	6100	5300	595	3	---	1.5	1950	---	8.5	1/2FN	7/8ID	1/2OD	53

* These models use external equalized expansion valves.

DIMENSIONAL DATA

MODEL	DIMENSIONS (INCHES)														
	TL	A	B	C	D	E	F	H	J	K	L	M	N	P	W
09	14 ⁵ / ₈	14	14	15 ¹⁵ / ₁₆	13 ¹ / ₂	10 ¹ / ₂	11 ³ / ₈	4 ¹ / ₂	8 ⁷ / ₈	2 ¹ / ₂	15 ¹⁵ / ₁₆	4 ³ / ₈	---	1	16 ¹ / ₂
12	18 ⁵ / ₈	14	14	15 ¹⁵ / ₁₆	13 ¹ / ₂	10 ¹ / ₈	10 ¹ / ₄	4 ¹ / ₂	8 ³ / ₈	9 ¹ / ₂	15 ¹⁵ / ₁₆	4 ³ / ₈	---	1	20 ¹ / ₂
16	22 ¹ / ₈	15	15	15 ¹⁵ / ₁₆	14 ¹ / ₂	11 ¹ / ₈	12	4 ¹ / ₂	9 ³ / ₈	11 ¹ / ₄	15 ¹⁵ / ₁₆	4 ³ / ₈	---	1	24
21	22 ¹ / ₈	16 ¹ / ₂	16 ¹ / ₂	15 ¹⁵ / ₁₆	16 ¹ / ₂	14 ¹ / ₂	18 ⁷ / ₈	6 ³ / ₄	11 ⁷ / ₈	17 ¹ / ₄	15 ¹⁵ / ₁₆	4 ³ / ₈	---	1 ¹ / ₂	24
28	29 ³ / ₄	15	15	15 ¹⁵ / ₁₆	14 ¹ / ₂	13	20 ³ / ₄	6 ³ / ₄	9 ³ / ₄	9 ⁷ / ₈	15 ¹⁵ / ₁₆	4 ³ / ₈	---	1	31 ⁵ / ₈
35	35 ³ / ₄	16 ¹ / ₂	16 ¹ / ₂	15 ¹⁵ / ₁₆	16 ¹ / ₂	14 ¹ / ₂	33 ¹ / ₄	6 ³ / ₄	11 ⁵ / ₈	18 ³ / ₈	15 ¹⁵ / ₁₆	6	5 ¹ / ₈	1 ¹ / ₂	38 ³ / ₈
53	46 ¹ / ₂	16 ¹ / ₂	16 ¹ / ₂	1 ¹ / ₈	16 ¹ / ₂	14 ¹ / ₂	44	6 ³ / ₄	11 ⁵ / ₈	30 ³ / ₈	11 ¹ / ₂	6	5 ¹ / ₈	1 ¹ / ₂	49 ¹ / ₈



NOMENCLATURE

TL = Thin Profile Electric Defrost	TL 12 A F	Vintage
Size	A = 115/1/60	B = 208-230/1/60

Model KMK Mullion Reach In Unit Cooler

APPLICATION

The KMK Mullion is ideal for under-counter reach-in refrigerators. The thin line design allows the unit to be mounted behind the mullion with sufficient clearance for tray slides. A down flow fan arrangement is used with air drawn in at the top and discharged at the bottom. This design provides superior air circulation and insures uniform temperature throughout the cabinet.

This versatile design is also adaptable for mounting on the back wall or ends of a cooler. The method of air circulation insures minimum box temperature rise when the cabinet doors are open. Ideal for bottle goods and beverage coolers.

EXCLUSIVE CORROSION-RESISTANT COATING IS STANDARD

The finned coil is protected by a special dip coating that is baked on. It prevents corrosion of the coil caused by acids that are present in many food service and storage coolers.

FEATURES

- Textured aluminum cabinets.
- PVC coated fan guard.
- Stainless steel hardware.
- Coils have full collar aluminum fins on expanded copper tubes.
- Refrigerant connection knockouts provided on both ends of unit.
- Expansion valve mounts inside the unit.



- Motors are thermally protected and permanently lubricated.
- Internal junction box for electrical connection.
- Adjustable air deflector included provides different air patterns. Air can be directed where it is needed.
- UL listed for the United States and Canada; UL classified to NSF standards.
- Corrosion-resistant coated coil for optimum protection in corrosive environments.

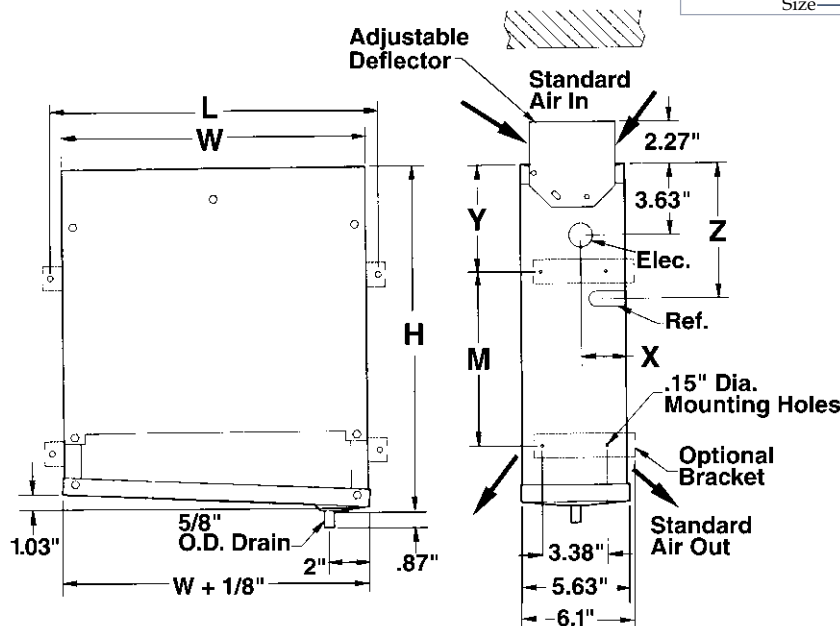
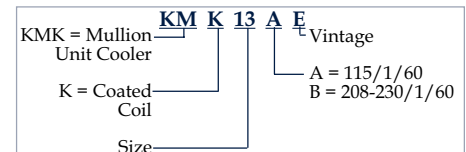
Performance/Electrical Data

MODEL KMK	BTUH 10°F TD	MOTOR DATA				CONNECTIONS (IN.)			APPROX. SHIPPING WT. (LBS.)
		CFM	QTY	115/1/60 TOTAL FLA	208-230/1/60 TOTAL FLA	INLET	SUCTION	DRAIN	
13	1300	180	2	1.6	0.8	1/2FN	3/8OD	5/8OD	19
17	1700	170	2	1.6	0.8	1/2FN	3/8OD	5/8OD	20
23	2300	255	3	2.4	1.2	1/2FN	3/8OD	5/8OD	28

DIMENSIONAL DATA

MODEL KMK	DIMENSIONS (INCHES)						
	H	L	M	W	X	Y	Z
13	17 ^{3/4}	16 ^{7/8}	9	15 ^{5/8}	2 ^{3/4}	5 ^{1/2}	6 ^{15/16}
17	19 ^{3/4}	16 ^{7/8}	10	15 ^{5/8}	2 ^{3/4}	6 ^{1/2}	7 ^{15/16}
23	19 ^{3/4}	23 ^{1/4}	10	22	2 ^{5/16}	6 ^{1/2}	7 ^{15/16}

NOMENCLATURE



Model RAMK Reverse Air Flow Mullion Reach In Unit Cooler

APPLICATION

The model RAMK is ideal for under-counter reach-in refrigerators, under-counter drawer type refrigerators and salad bars. The unit is suitable for mounting behind a mullion or on a wall. An up flow air pattern is used with air drawn in at the bottom and discharged out the top. This provides optimum temperature for drop in trays on salad bars or prep tables. It also keep drawer stored product in premium condition.

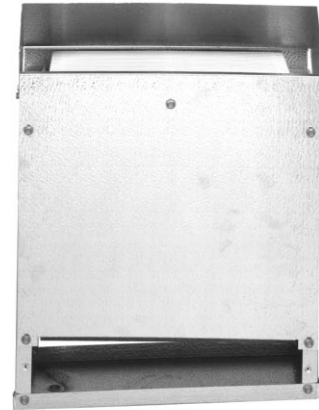
An adjustable and detachable air deflector/splash protector is included. The deflector can be adjusted to direct the air up and out at a 45-degree angle. This feature provides excellent air distribution over drop in trays or containers. Food in the trays and containers stays colder, lasts longer, and retains the desired appearance. The deflector can be adjusted to distribute air out both sides when used as a mullion unit.

EXCLUSIVE CORROSION-RESISTANT COATING IS STANDARD

The finned coil is protected by a special dip coating that is baked on to prevent corrosion of the coil by acids that are present in salad dressings, spiced meats and other food products.

FEATURES

- Textured aluminum cabinet.
- PVC coated fan guard.
- Stainless steel hardware.
- Coils have full collar aluminum fins on expanded copper tubes.



- Refrigerant connection knock-outs provided on both ends of unit.
- Expansion valve mounts inside the unit.
- Motors are thermally protected and permanently lubricated.
- Internal junction box for electrical connection.
- Adjustable air deflector included provides different air patterns. Air can be directed where its needed.
- UL listed for the United States and Canada; UL classified to NSF standards.
- Corrosion-resistant coated coil for optimum protection in corrosive environments.

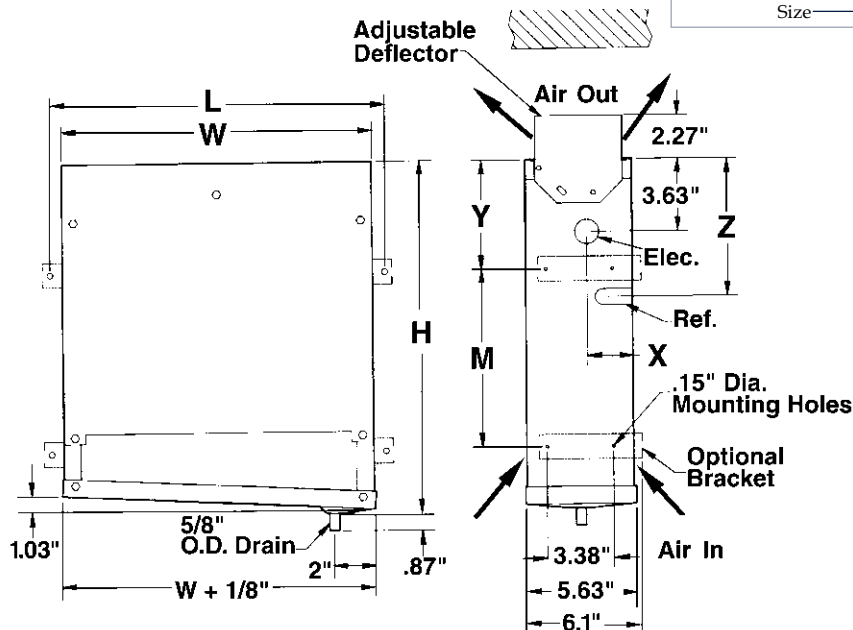
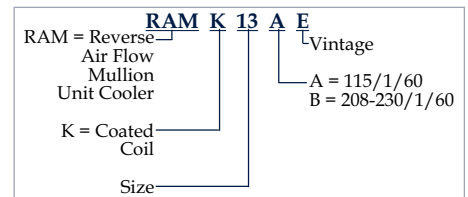
Performance/Electrical Data

MODEL KMK	BTUH 10°F TD	MOTOR DATA				CONNECTIONS (IN.)			APPROX. SHIPPING WT. (LBS.)
		CFM	QTY	115/1/60 TOTAL FLA	208-230/1/60 TOTAL FLA	INLET	SUCTION	DRAIN	
13	1300	180	2	1.6	0.8	1/2FN	3/8OD	5/8OD	19
17	1700	170	2	1.6	0.8	1/2FN	3/8OD	5/8OD	20
23	2300	255	3	2.4	1.2	1/2FN	3/8OD	5/8OD	28

DIMENSIONAL DATA

MODEL RAMK	DIMENSIONS (INCHES)					
	H	L	M	W	X	Z
13	17 3/4	16 7/8	9	15 5/8	2 3/4	6 15/16
17	19 3/4	16 7/8	10	15 5/8	2 3/4	7 15/16
23	19 3/4	23 1/4	10	22	2 5/16	7 15/16

NOMENCLATURE



Model U Dual Air Reach In Unit Cooler



FEATURES

- Textured aluminum cabinet.
- Full collar aluminum fins on expanded copper tubes.
- Detachable drain pan that is easy to clean.
- Molded 3-prong motor connector to save installation time and expense.
- Motors are thermally protected and permanently lubricated.
- Optional coated coil available (Model UK) for optimum protection in corrosive environments.
- All sizes UL-component recognized and NSF approved.

APPLICATION

The U unit cooler is used wherever a small, compact unit is required. It can be mounted on the ceiling or wall. The model U unit draws air through the front and discharges it out both sides to insure proper distribution of cool air and thus maintain a uniform box temperature.

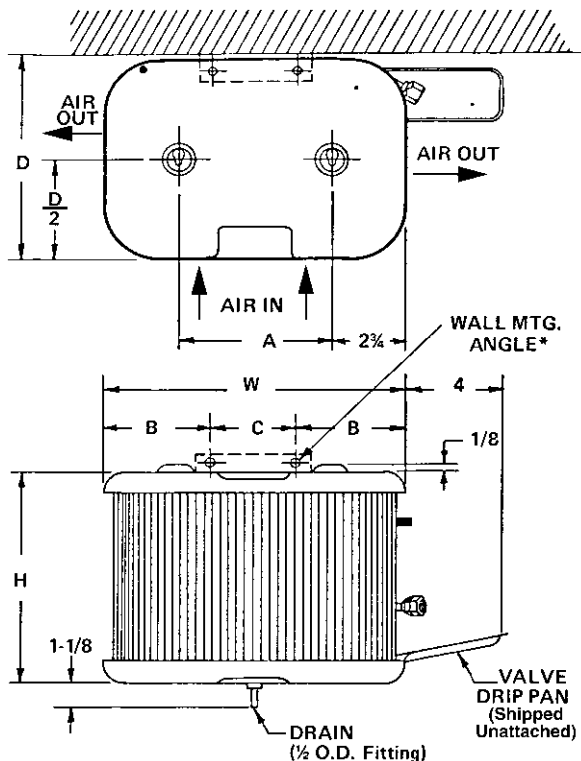
Performance/Electrical Data

MODEL	BTUH CAPACITY		MOTOR DATA		CONNECTIONS (In.)		APPROX. SHIPPING WT. (LBS.)
	10°TD	15°TD	115/1/60V TOTAL FLA	208-230/1/60V TOTAL FLA	COIL INLET	SUCTION	
09	850	1275	190	.45	.55	1/2 FN 3/8 ID	9
12	1150	1725	250	.45	.55	1/2 FN 3/8 ID	10
15	1500	2250	310	1.10	.55	1/2 FN 3/8 ID	14

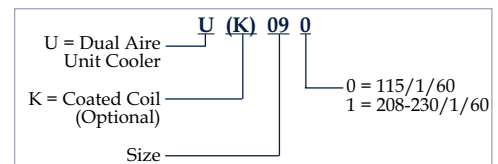
PHYSICAL DATA

MODEL	DIMENSIONS (In.)					
	H	W	D	A	B	C
09	8 1/2	11 1/2	8 7/8	6	4	3 1/2
12	8 1/2	17 1/2	8 7/8	12	4	9 1/2
15	9 1/2	17 1/2	10 7/8	12	4	9 1/2

DIMENSIONAL DIAGRAM



NOMENCLATURE



Models BBM/BBL Back Bar Reach In Unit Cooler

APPLICATION

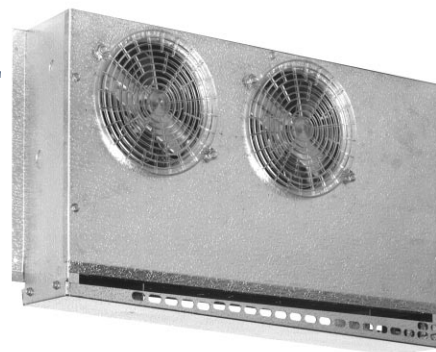
The BB models are compact, wall-mounted units whose low height makes them ideal for undercounter reach-in or drawer-type fixtures. The unit draws air in at the bottom and discharges out the front. An optional air deflector is included and can be mounted over the center of the fan to direct air up and out. The deflector can be field-formed to direct the air where needed, usually onto drop-in trays of condiments in salad bar or sandwich preparation fixtures. An S-type mounting angle is included to position the unit 3/4" off the wall which gives optimum air circulation and performance.

The BBM (medium temperature) model is designed for 35° to 40° F. fixture temperature with off-cycle defrost. The unit is designed to operate at 10° to 17° TD and 16 hours per day compressor run time.

The BBL (low temperature) model is designed for 0° to -10° F fixture temperature, and has automatic electric defrost. The unit is designed to operate at 8° to 15° TD with 18 hours per day compressor runtime. The BBL has an incoloy sheath heater embedded in the bottom fin surface for efficient and fast defrosting. A drain pan heater is included to insure complete condensate drainage. A disc-type sealed defrost termination/fan delay control is mounted and wired. Field connectors are located at the terminal board.

FEATURES

- Molded Lexan® fan blades and guards.
- Coils have copper tubes with aluminum fins, mechanically-bonded for efficient heat transfer. The coils are dehydrated and sealed.
- Textured aluminum cabinet.

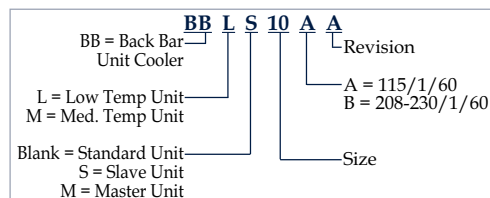


- Knockouts are conveniently located for refrigerant lines.
- Screws are hardened, stainless steel with a bright zinc plating.
- Expansion valve mounts inside the cabinet and connections are sweat-type.
- Motors are thermally protected and permanently lubricated.
- Master units include the basic unit plus factory mounted Sporlan FV1/5C, R-22, 1/4" x 1/2" sweat expansion valve, Sporlan E3S, 1/4" x 1/4" sweat solenoid, and Ranco A-30 temperature control. Also right-hand piping extended 8" - 12" outside the housing, sealed and pressurized to 20 - 30 PSI. A 1/4" O.D. liquid feed to slave is included.
- Slave units include the basic unit plus factory mounted Sporlan FV1/5C, R-22, 1/4" x 1/2" sweat expansion valve with left-hand piping extended 8" - 12" outside the housing, sealed and pressurized to 20 - 30 PSI.

Performance/Electrical Data

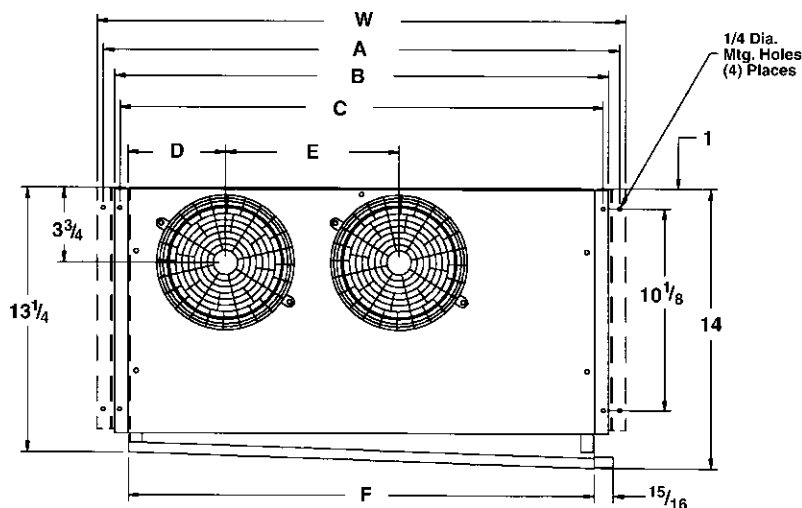
MODEL	BTUH	MOTOR DATA				DEFROST HEATERS			
		10°F TD	CFM	QTY	HP	115/60/1 TOTAL FLA	208-230/60/1 TOTAL FLA	WATTS	115/60/1 AMPS
L10	1,000	90	1	1/150	0.8	0.4	275	2.7	1.4
M11	1,100	90	1	1/150	0.8	0.4	---	---	---
L15	1,500	180	2	1/150	1.6	0.8	350	3.5	1.7
M16	1,600	180	2	1/150	1.6	0.8	---	---	---

NOMENCLATURE

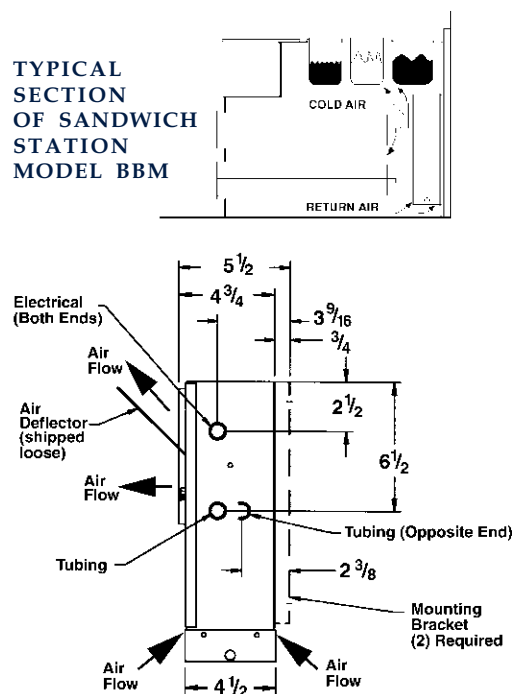


Dimensional Data

MODEL	DIMENSIONS (INCHES)							APPROX. SHIPPING WT. (LBS.)
	W	A	B	C	D	E	F	
L10	19 ³ / ₄	19 ¹ / ₈	18	17 ¹ / ₂	7 ⁷ / ₁₆	---	16 ⁵ / ₈	17
M11	19 ³ / ₄	19 ¹ / ₈	18	17 ¹ / ₂	7 ⁷ / ₁₆	---	16 ⁵ / ₈	16
L15	26 ³ / ₄	25 ⁵ / ₈	24 ¹ / ₂	24	4 ¹³ / ₁₆	8 ⁵ / ₈	23 ¹ / ₈	20
M16	26 ³ / ₄	25 ⁵ / ₈	24 ¹ / ₂	24	4 ¹³ / ₁₆	8 ⁵ / ₈	23 ¹ / ₈	19



TYPICAL SECTION OF SANDWICH STATION MODEL BBM



Visit our web site at www.heatcraft.com
for Technical Literature Online.

Since product improvement is a continuing effort at Chandler, we
reserve the right to make changes in specifications without notice.



A Product Line of
Heatcraft Inc. Refrigeration Products
2175 West Park Place Blvd.
Stone Mountain, GA 30087
(770) 465-5600 • Fax (770) 465-5990

Free Manuals Download Website

<http://myh66.com>

<http://usermanuals.us>

<http://www.somanuals.com>

<http://www.4manuals.cc>

<http://www.manual-lib.com>

<http://www.404manual.com>

<http://www.luxmanual.com>

<http://aubethermostatmanual.com>

Golf course search by state

<http://golfingnear.com>

Email search by domain

<http://emailbydomain.com>

Auto manuals search

<http://auto.somanuals.com>

TV manuals search

<http://tv.somanuals.com>