

heatilator®

AMERICA'S FIREPLACE SPECIALISTS

Heatilator Inc.
1915 W. Saunders Road
Mt. Pleasant, IA 52641
Division, HON INDUSTRIES

BF36A INSTALLATION INSTRUCTIONS FOR RESIDENTIAL USE

SEE SECTION VI FOR USE IN MOBILE HOMES

I. LISTINGS AND CODE APPROVALS

The BF36A fireplace system has been tested in accordance with Underwriters Laboratories Inc. procedures, and has been LISTED by them for installation and operation as described in these Instructions and in the Operating Instructions accompanying each fireplace.

Fireplace Catalog Number BF36A has been tested and LISTED for use with the Optional Components described in Section II of these Instructions. These Optional Components may be purchased separately and installed either at the time of initial installation or at some later date.

Fireplace Catalog Number BF36B includes partial factory assembly of the Fan Kit, FK25A. Fireplace Catalog Number BF36C includes partial factory assembly of the Outside Combustion Air Kit, AK36. Fireplace Catalog Number BF36H includes partial factory assembly of both the Fan Kit, FK25A, and Air Kit, AK36.

Check with your local building code agency before you begin installation to ensure compliance with local codes, including the need for "permits" and follow-up inspections. If any problems are encountered regarding code approvals, or if you wish clarification of any of the instructions contained here, contact: Technical Services, Heatilator Inc., 1915 W. Saunders Road, Mt. Pleasant, Iowa 52641. HEATILATOR® is a registered trademark of Heatilator Inc., Division, HON INDUSTRIES.

WARNING

THIS HEATILATOR FIREPLACE AND ITS COMPONENTS ARE DESIGNED TO BE INSTALLED AND OPERATED AS A SYSTEM. ANY ALTERATION TO OR SUBSTITUTION FOR ITEMS IN THIS SYSTEM UNLESS ALLOWED BY THESE INSTALLATION INSTRUCTIONS WILL VOID THE UNDERWRITERS LABORATORIES LISTING AND MAY VOID THE PRODUCT WARRANTY. IT MAY ALSO CREATE A HAZARDOUS INSTALLATION. READ THROUGH THESE INSTRUCTIONS THOROUGHLY PRIOR TO STARTING YOUR INSTALLATION AND FOLLOW THEM CAREFULLY THROUGHOUT YOUR PROJECT.

II. DESCRIPTION OF THE FIREPLACE SYSTEM

The HEATILATOR® fireplace system consists of the following:

1. Fireplace
2. Hearth Extension
3. Chimney System
4. Roof Termination
5. Grate

Optional components include:

1. Glass Doors - Required for Mobile Home
2. Outside Combustion Air System - Required for Mobile Home
3. Heat Circulating Fans
4. Solid Brass Trim Kits

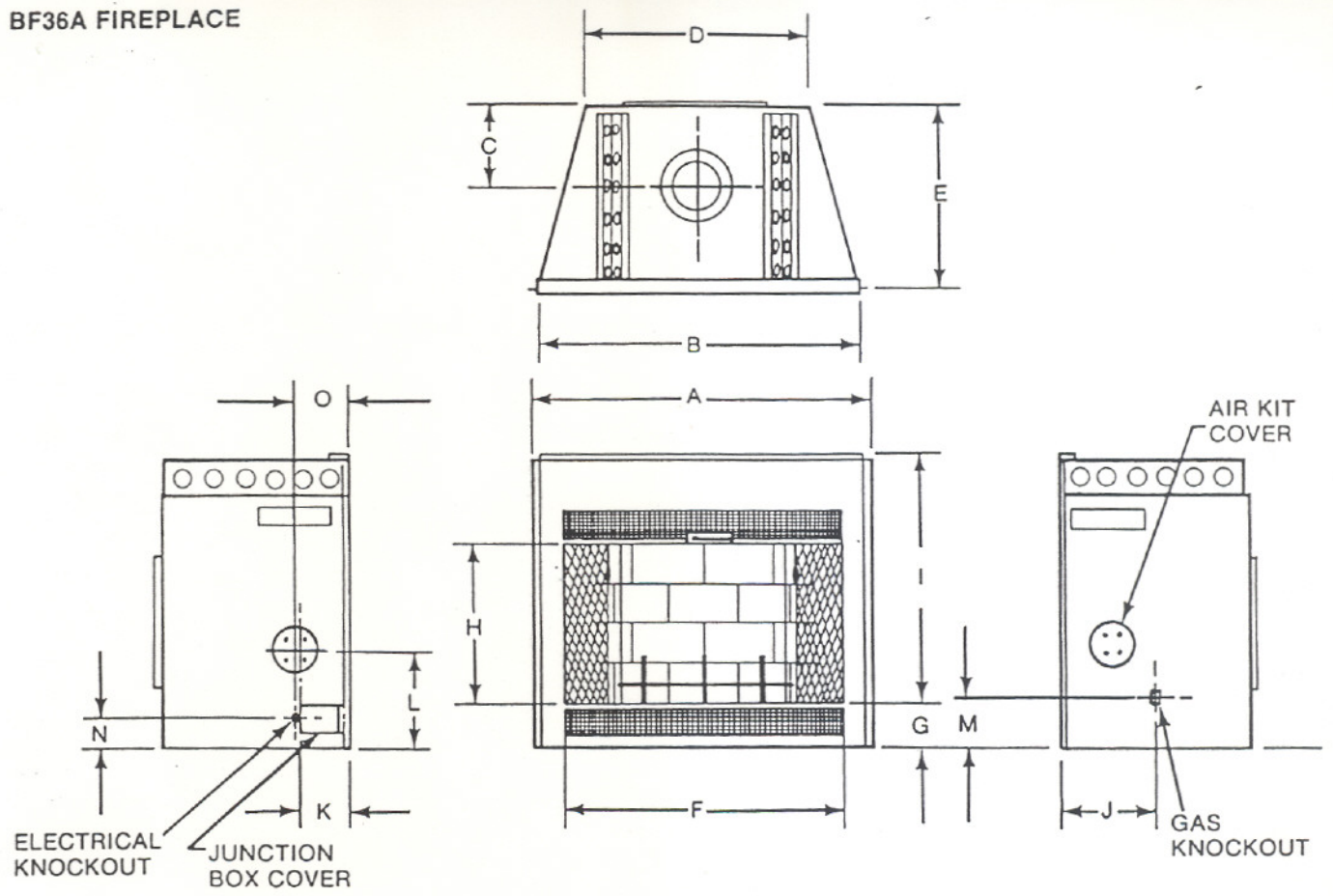
THE FIREPLACE SYSTEM COMPONENTS

The table below, together with the following pictures, shows only those components which may be safely used with this fireplace. Two chimney styles are designated, with the appropriate components for each style. Components may not be interchanged between chimney styles. Select either Air Cooled or INSULSTACK® and follow down the column for the correct components.

Catalog Number		Description
<u>Air Cooled</u>	<u>INSULSTACK®</u>	<u>CHIMNEY STYLE</u>
BF36A	BF36A	Fireplace
HX36	HX36	Hearth Extension
RX36	RX36	Red Brick Hearth Extension
TX36	TX36	Tan Brick Hearth Extension
GD36BF	GD36BF	Glass Doors - Bifold
GR36-1	GR36-1	Grate (included with Fireplace)
TK10P00	TK10P00 <i>NLA</i>	Antique Solid Brass Side Opening Trim Kit
TK11Q00	TK11Q00 <i>NLA</i>	Antique Solid Brass Outer Edge Trim Kit
FK25A	FK25A	Fan Kit
AK36	AK36	Air Kit - Outside Air
AK37	None	Air Kit - Outside Air - For Mobile Home Only
ID4	ID4	Insulated Duct/Outside Air
UD4	UD4	Uninsulated Duct/Outside Air
AC500	None	Starter Section - Must be used for Air Cooled
AC506	IC806	Chimney Section - 6 inch long
AC512	IC812	Chimney Section - 12 inch long
None	IC824	Chimney Section - 24 inch long
AC536	IC836	Chimney Section - 36 inch long
AC548	IC848	Chimney Section - 48 inch long
SZ5	SZ8	Chimney Stabilizer
None	OR815	Chimney Offset/Return - 15°
OR530	OR830	Chimney Offset/Return - 30°
FS538	FS838	Firestop - Straight
None	FS839	Firestop - 15°
FS540	FS840	Firestop - 30°
None	WSP841	Firestop - Wall
JB577	JB877	Chimney Joint Band
CB576	CB876	Chimney Bracket
RF570	RF870	Roof Flashing - Flat to 6/12 Pitch
RF571	RF871	Roof Flashing - 6/12 to 12/12 Pitch
None	RF872	Roof Flashing - 12/12 to 24/12 Pitch
RT583	None	Telescoping Chimney Terminal Cap - Round
RT584	RT874	Chimney Terminal Cap - Round
ST575	ST875	Chimney Terminal Cap - Square
RB48	RB48	Simulated Red Brick Chimney Termination
TB48	TB48	Simulated Tan Brick Chimney Termination
CT56	CT36	Chase Top
SZ810	SZ810	Chimney Strapping
MH514 <i>3</i>	None	Mobile Home Package
MH539	None	Mobile Home Roof Thimble and Flashing Kit

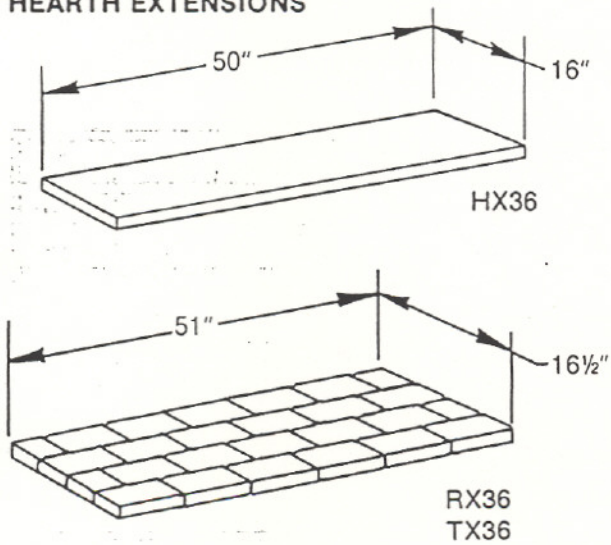
Revised

BF36A FIREPLACE

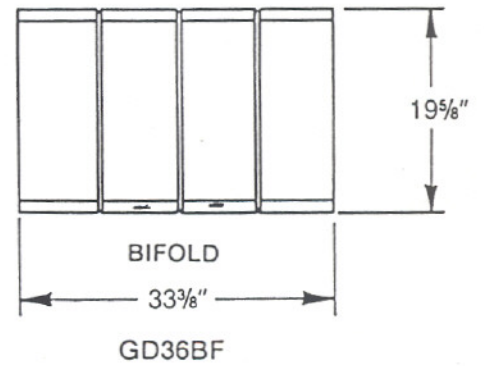


DIM.	A	B	C	D	E	F	G	H	I	J	K	L	M	N	O
INCHES	43 $\frac{3}{8}$	41 $\frac{3}{8}$	10 $\frac{1}{2}$	29 $\frac{3}{4}$	24 $\frac{1}{2}$	36	5 $\frac{3}{4}$	20 $\frac{29}{32}$	32 $\frac{1}{4}$	12	6 $\frac{3}{8}$	13 $\frac{1}{16}$	6 $\frac{3}{4}$	4 $\frac{1}{2}$	7

HEARTH EXTENSIONS



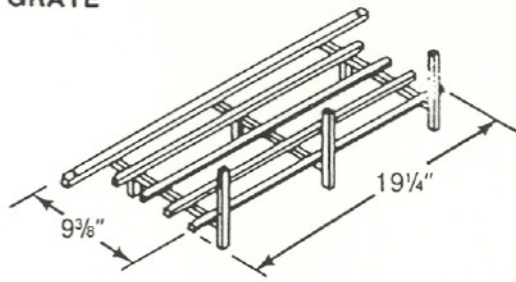
GLASS DOORS



9-17-84

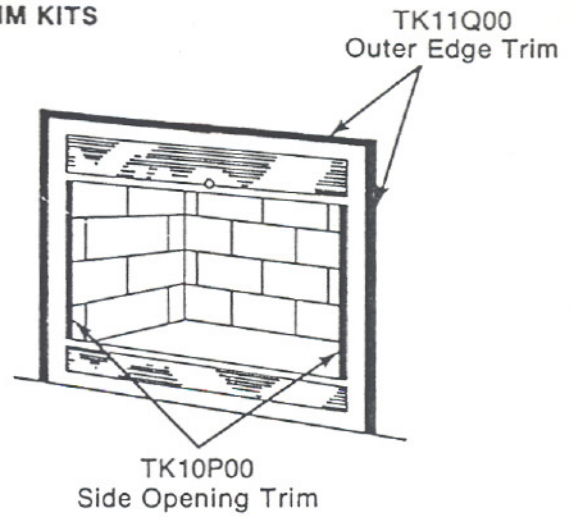
3.

GRATE

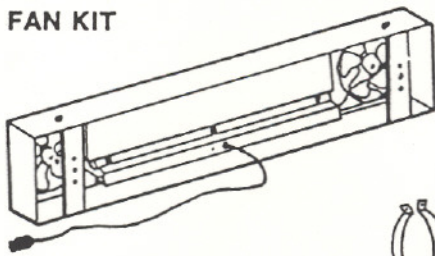


GR36-1

TRIM KITS

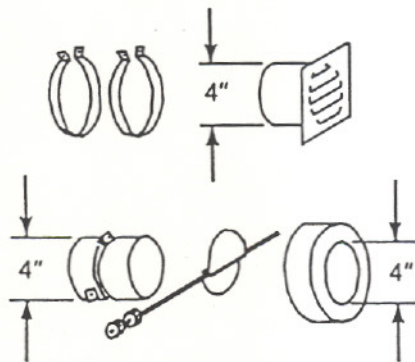


FAN KIT

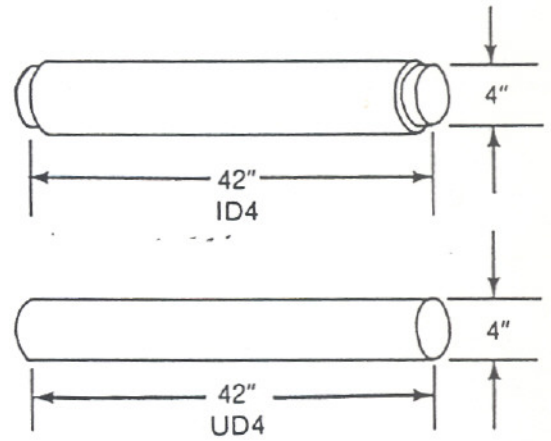


FK25A

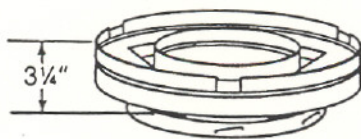
AIR KIT



AK36
Residential Outside Air Kit

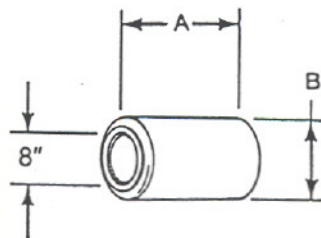


AIR COOLED CHIMNEY STARTER



AC500

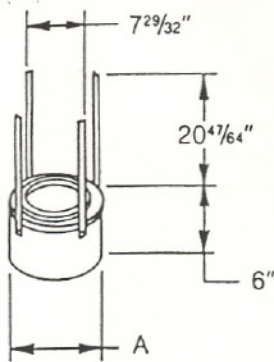
CHIMNEY SECTIONS



CAT. NO.	A	B
AC506	6"	13"
IC806	6"	10 1/2"
AC512	12"	13"
IC812	12"	10 1/2"
IC824	24"	10 1/2"
AC536	36"	13"
IC836	36"	10 1/2"
AC548	48"	13"
IC848	48"	10 1/2"

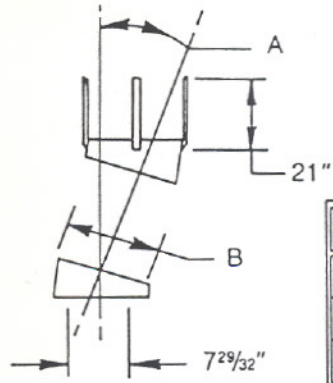
Revised

CHIMNEY STABILIZERS



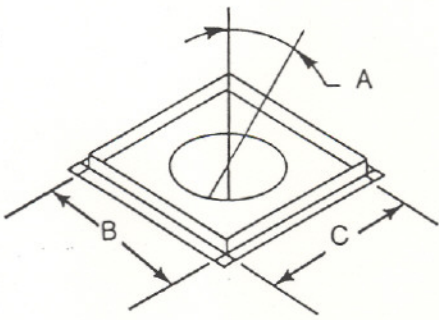
CAT. NO.	A
SZ5	13"
SZ8	10 1/2"

OFFSETS/RETURNS



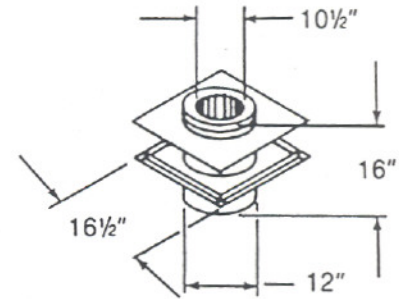
CAT. NO.	A	B
OR530	30°	13"
OR830	30°	10 1/2"
OR815	15°	10 1/2"

FIRESTOP SPACERS

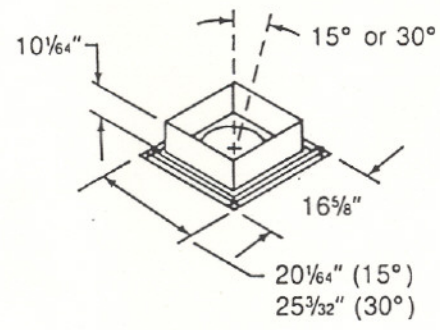


Air Cooled

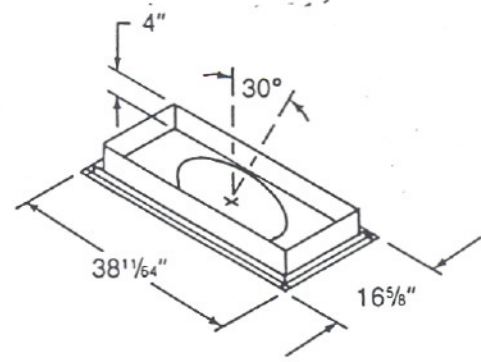
CAT. NO.	A	B	C
FS538	0°	17"	17"
FS540	30°	26"	17"



FS838

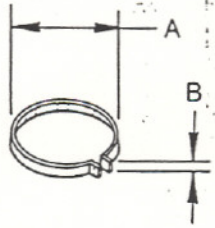


FS839 (15°)
FS840 (30°)



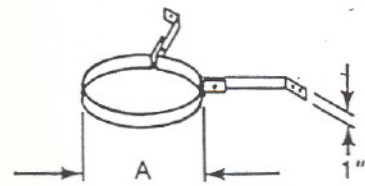
WSP841

JOINT BANDS



CAT. NO.	A	B
JB577	13"	1 1/2"
JB877	10 1/2"	2"

CHIMNEY BRACKETS



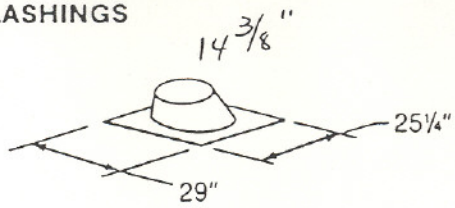
CAT. NO.	A
CB576	13"
CB876	10 1/2"

9-17-84

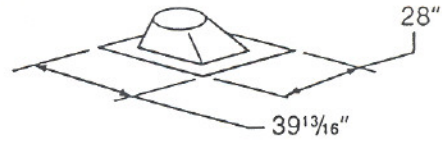
Bunser

5.

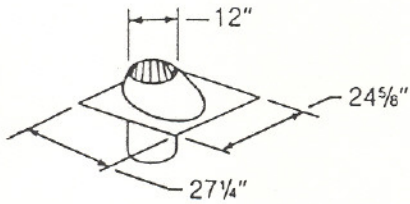
ROOF FLASHINGS



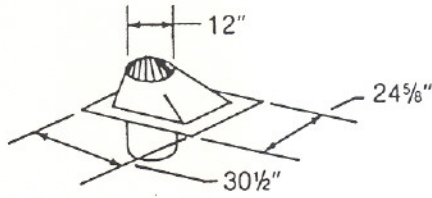
Flat to 6/12 Pitch
RF570



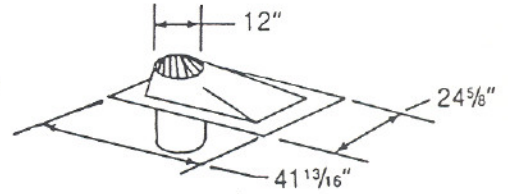
6/12 to 12/12 Pitch
RF571



Flat to 6/12 Pitch
RF870

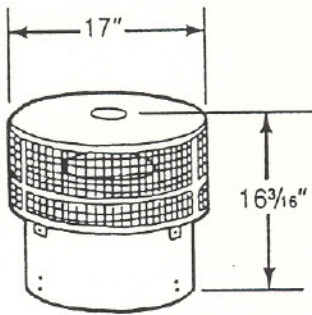


6/12 to 12/12 Pitch
RF871

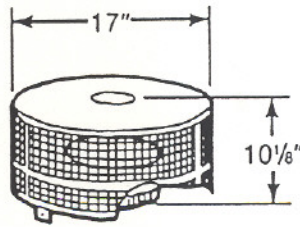


12/12 to 24/12 Pitch
RF872

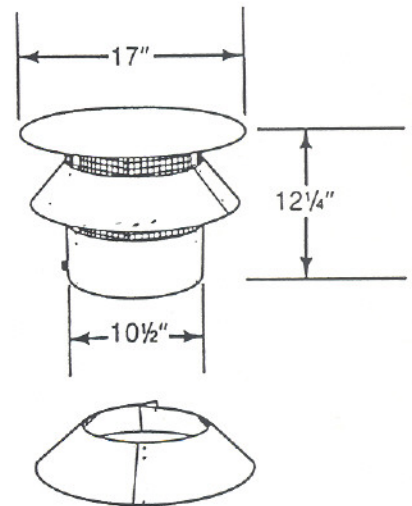
CHIMNEY TERMINAL CAPS & TERMINATIONS



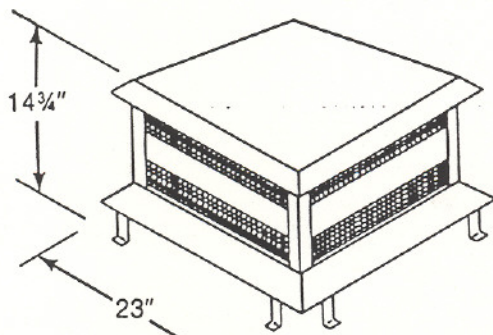
RT583



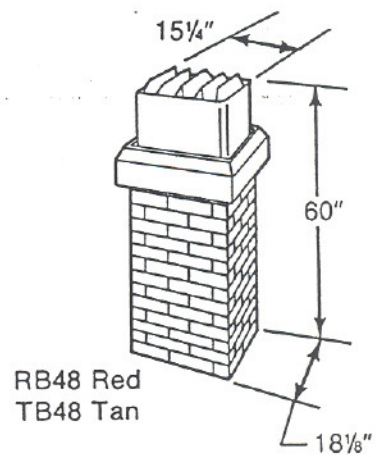
RT584



RT874

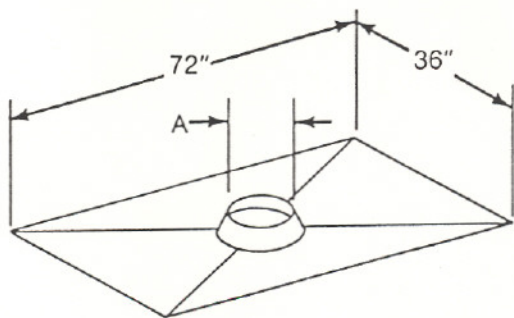


ST575
ST875



RB48 Red
TB48 Tan

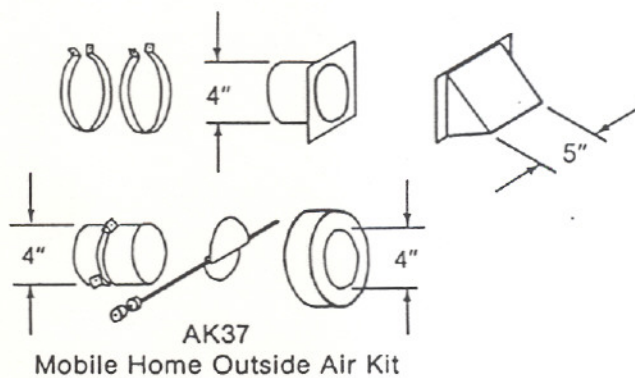
CHASE TOPS



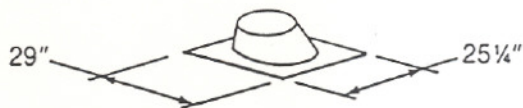
CAT. NO.	A
CT36	12"
CT56	14 1/2"

MOBILE HOME COMPONENTS

AIR KIT



MOBILE HOME ROOF THIMBLE AND FLASHING



III. FIREPLACE LOCATIONS, SPACE AND CONSTRUCTION REQUIREMENTS

The fireplace may be located as shown in Figure 1.

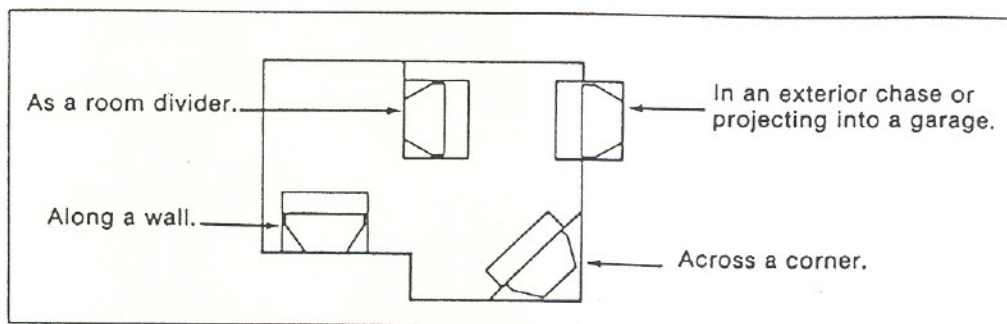


Figure 1
Fireplace Locations

Figures 2 and 3 show installations assuming outside air ducts with allowance for making 90° bends. Less space is required when ducting goes directly outside without forming elbows.

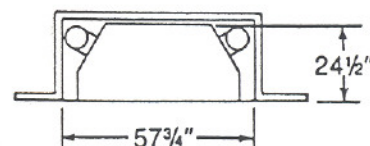


Figure 2
Installation along a wall or an exterior chase.

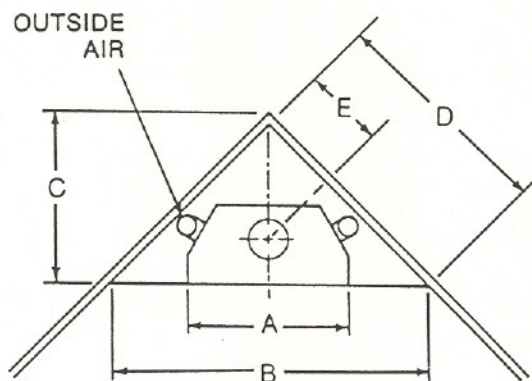


Figure 3
Corner Installation

WITH OR WITHOUT OUTSIDE AIR

CAT. NO.	A	B	C	D	E
BF36A	43 $\frac{3}{8}$ "	79"	39 $\frac{1}{2}$ "	55 $\frac{7}{8}$ "	18"

ALL DIMENSIONS IN INCHES

WARNING

WHEN LOCATING THE FIREPLACE IN A SPACE PROJECTING INTO A GARAGE, THE OUTSIDE AIR MUST NOT BE TAKEN FROM THE GARAGE SPACE. EXHAUST PRODUCTS OF GASOLINE ENGINES ARE HAZARDOUS.

DO NOT INSTALL OUTSIDE AIR DUCTS SUCH THAT THE AIR MAY BE DRAWN FROM ATTIC SPACES, BASEMENTS, OR ABOVE THE ROOFING WHERE OTHER HEATING APPLIANCES OR FANS AND CHIMNEYS EXHAUST OR UTILIZE AIR. THESE PRECAUTIONS WILL REDUCE THE POSSIBILITY FOR SMOKING OR FLOW REVERSAL.

Figure 4 shows the framing of the BF36A, assuming combustible materials are used. The vertical framing must extend from floor to ceiling, with no horizontal members projecting from front to back above the fireplace, except at the ceiling level. Chimney Sections above the ceiling level require a minimum air space of two inches to the enclosure, including any framing, for the total chimney height.

WARNING

TO PREVENT CONTACT WITH SAGGING OR LOOSE INSULATION, THE FIREPLACE MUST NOT BE INSTALLED AGAINST VAPOR BARRIERS OR EXPOSED INSULATION. LOCALIZED OVERHEATING COULD OCCUR AND A FIRE COULD RESULT.

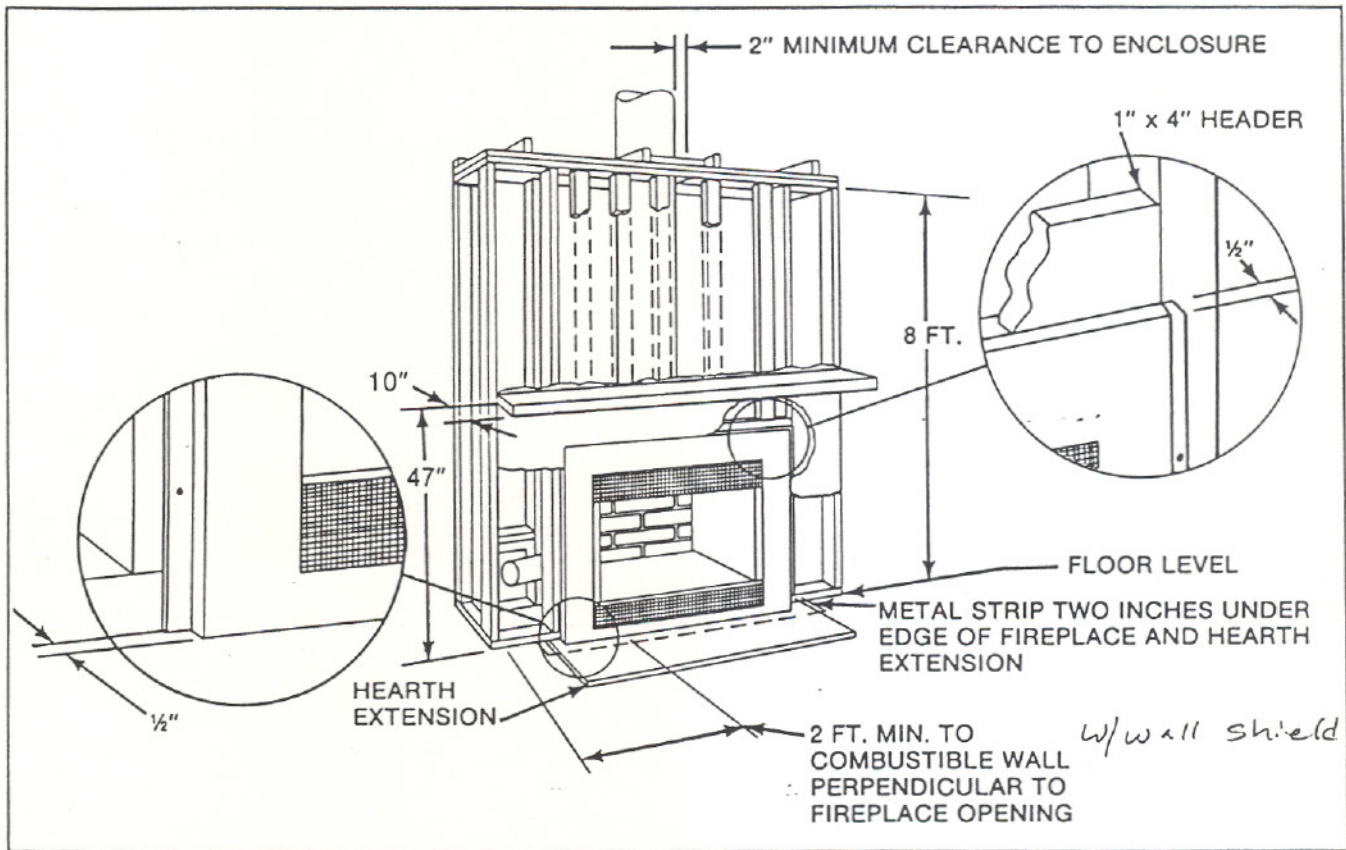


Figure 4
Framing the Fireplace

After completing the framing and after applying the facing material over the framing, a non-combustible sealant, one-half inch wide maximum, must be used to close off any gaps at the top and sides between the fireplace and facing, to prevent cold air leaks. A mantel of combustible material may be installed no less than 47 inches above the platform or floor upon which the fireplace is located. The mantel may extend no more than 10 inches from the wall.

Non-combustible materials may be used to cover the black non-screened fireplace front, but must not restrict the air flow to or from the front of the unit in any manner. The following is a description of materials specified in these Instructions:

Combustible Material. Material made of or surfaced with wood, compressed paper, plant fibers, plastics, or other material that will ignite and burn, whether flameproofed or not, or whether plastered or unplastered.

Non-combustible Material. Material which will not ignite and burn, such materials consisting entirely of steel, iron, brick, tile, concrete, slate, asbestos, glass or plasters, or combination thereof.

Non-combustible Sealant Material. General Electric RTV103 (Black), or equivalent. Rutland, Inc. Fireplace Mortar #63, or equivalent.

WARNING

DO NOT APPLY FINISH MATERIALS OVER THE SCREENED FACE OF THESE FIREPLACES. THIS WILL BLOCK THE FLOW OF COOLING AIR AND MAY CAUSE DANGEROUSLY HIGH TEMPERATURES ON COMBUSTIBLE SURFACES OR ON THE FIREPLACE ITSELF.

The use of factory-built Hearth Extensions is shown in Figure 5. These may be covered with a non-combustible decorative material with a maximum thickness of 1/4 inch. Seal gaps with non-combustible (sand-cement) grout.

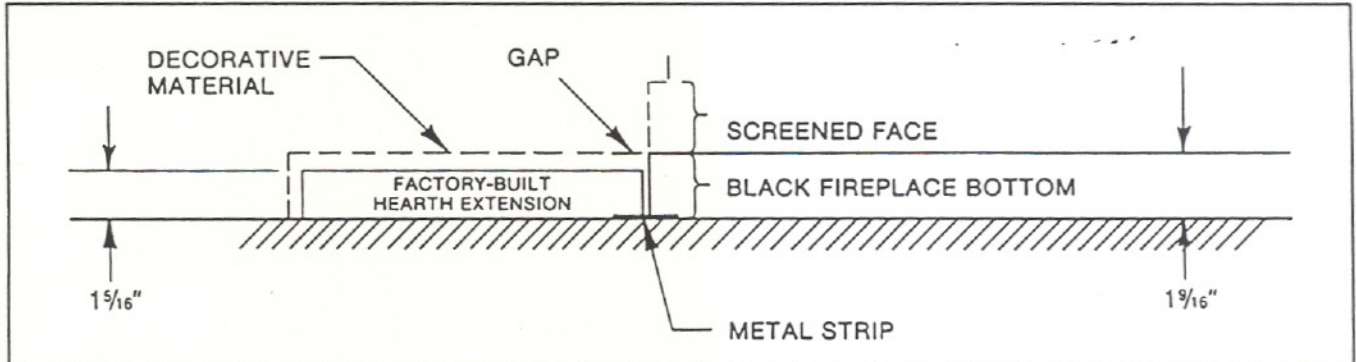


Figure 5
Factory-Built Hearth Extension

Field constructed Hearth Extensions may be used, but must be constructed in accordance with the following instructions. A typical construction is shown in Figure 6. In all cases of field construction, the minimum side and front dimensions shown for factory-built Hearth Extensions must be used, and gaps must be sealed with non-combustible (sand-cement) grout.

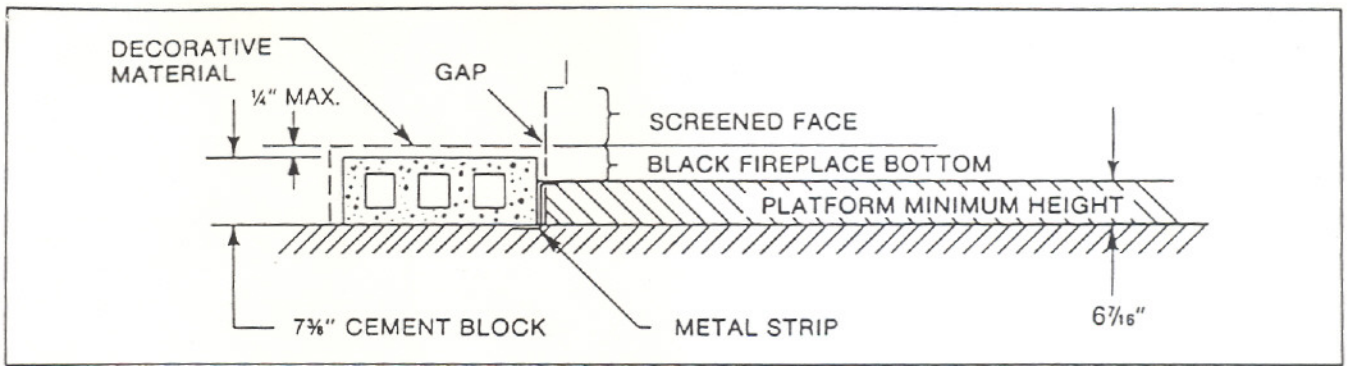



Figure 6
Field Constructed Hearth Extension

A second alternative to the cement block construction shown in Figure 6 is as follows:

1. One course common brick on edge - top layer.
2. 3/8" minimum millboard - middle.
3. Standard combustible construction - base.

Both Figure 6, and the above construction, require that the fireplace be raised on a platform. A metal strip must be used between the fireplace and the field constructed Hearth Extension. Depending on the construction, a special () shape may be needed. Each horizontal leg must be 2" wide and the length must be at least equal to the length of the Metal Strip provided with each fireplace. The fireplace must rest on a continuous, level surface.

WARNING

HEARTH EXTENSIONS ARE TO BE INSTALLED ONLY AS ILLUSTRATED TO PREVENT HIGH TEMPERATURES FROM OCCURRING ON CONCEALED COMBUSTIBLE MATERIALS. METAL STRIPS PREVENT BURNING OR HOT PARTICLES FROM INADVERTENTLY FALLING DIRECTLY ON COMBUSTIBLE SURFACES IN THE EVENT THE BUILDING SHOULD SETTLE AND DISTURB THE ORIGINAL CONSTRUCTION.

When planning your fireplace location, the chimney construction and necessary clearance must be considered. Figure 7 illustrates a typical one floor with attic space installation in which joists and rafters may require modification. The fireplace system and chimney components have been tested to provide the following flexibility in construction.

	<u>AIR COOLED</u>	<u>INSULSTACK®</u>
Minimum straight height	13 ft.	13 ft.
Minimum height with Offset/Return	14 ft.	14 ft.
Maximum height	90 ft.	90 ft.
Maximum chimney length between an Offset/Return	8 ft.	8 ft.
Maximum distance between Chimney Stabilizers	25 ft.	25 ft.
Double Offset/Return minimum height	24 ft.	24 ft.
Maximum unsupported chimney length between Offset/Return	6 ft.	6 ft.

Revised

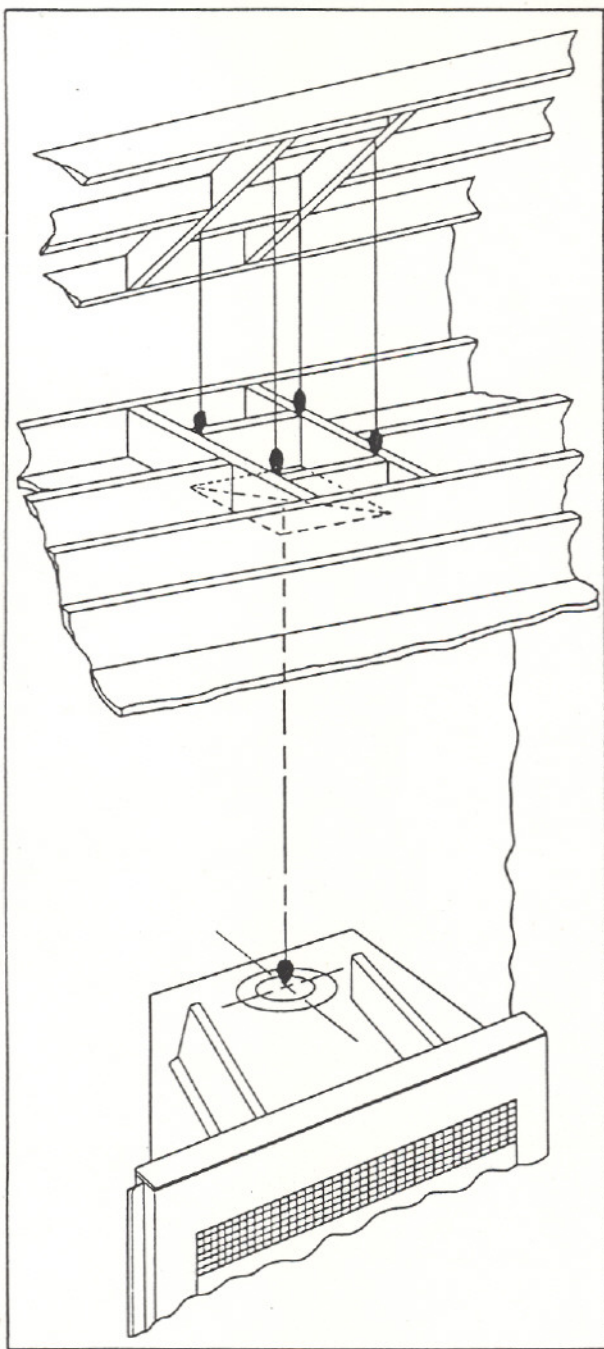


Figure 7
Ceiling and Attic Construction

Joint Bands must be used at every joint between an Offset and Return. Offsets and Returns must not be used in Mobile Home installations.

If Outside Combustion Air is used, Figure 8 illustrates only two of many possible locations - a basement fireplace with a maximum of ten feet of vertical height, and a direct exit from the fireplace side.

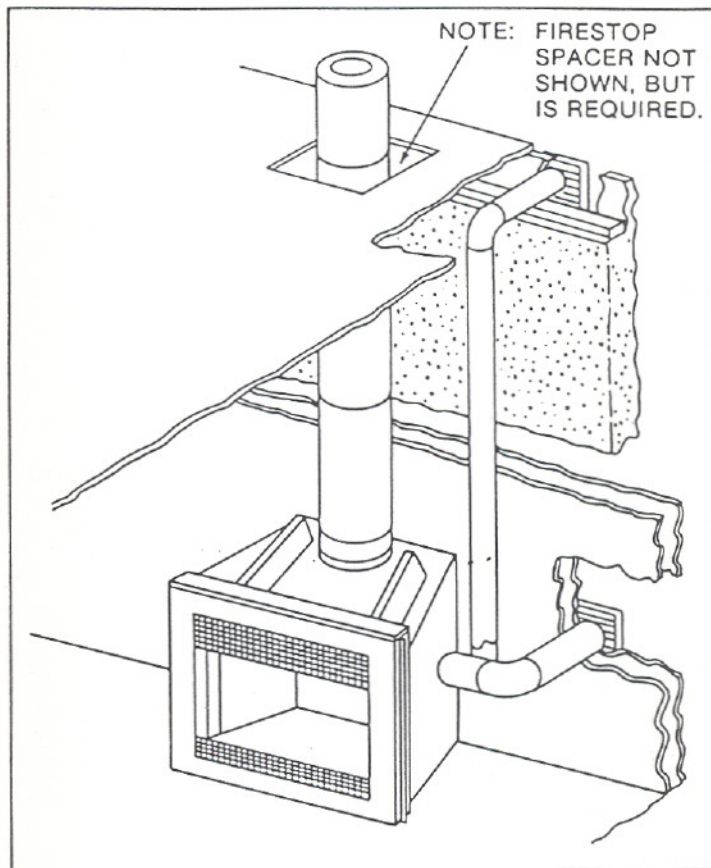


Figure 8
Outside Air Locations

Major building codes specify a minimum chimney height above the roof top. These specifications are summarized in what is known as the "Ten Foot Rule". This rule states:

1. If the horizontal distance from the side of the chimney to the peak of the roof is 10 feet or less, the top of the chimney must be at least 2 feet above the peak of the roof, but never less than 3 feet in height above the highest point where it passes through the roof. See Figure 9.
2. If the horizontal distance from the side of the chimney to the peak of the roof is more than 10 feet, a chimney height reference point is established on the surface of the roof a distance of 10 feet from the side of the chimney in a horizontal plane. The top of the chimney must be at least 2 feet above this reference point, but never less than 3 feet in height above the highest point where it passes through the roof. See Figure 10.

These chimney heights are necessary in the interest of safety and do not assure smoke-free operation. Trees, buildings, adjoining roof lines, adverse wind conditions, etc., may require a taller chimney should smoking exist.

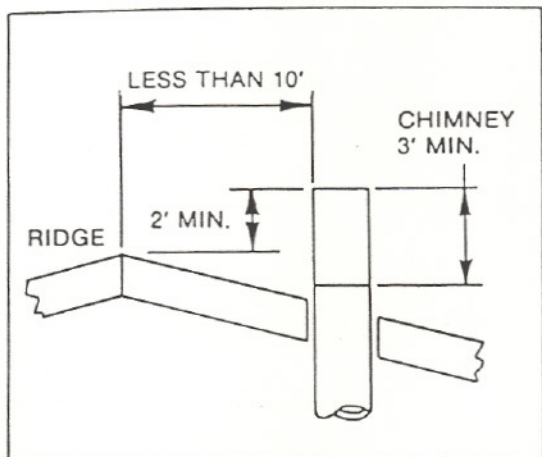


Figure 9
Chimney Height

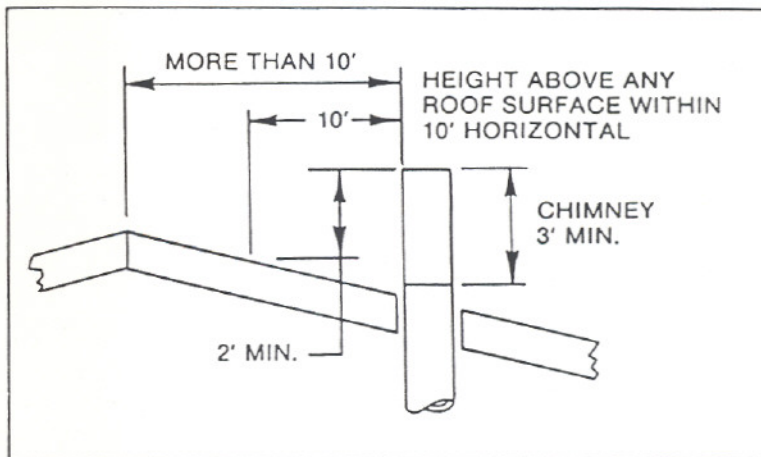


Figure 10
Chimney Height

SELECTING THE CHIMNEY COMPONENTS

IF AIR COOLED CHIMNEY WAS SELECTED:

Figure 11 illustrates the height from the bottom of the fireplace to the top of the Chimney Starter Section. Proper assembly of Air Cooled Chimney Sections results in an overlap at chimney joints of 1-1/4".

Figure 12 and Table 1 enable selection of the appropriate chimney components when using Offsets and Returns.

1. Determine amount of offset required to extend the chimney through a wall or around an obstacle. See Figure 12, dimension "A".

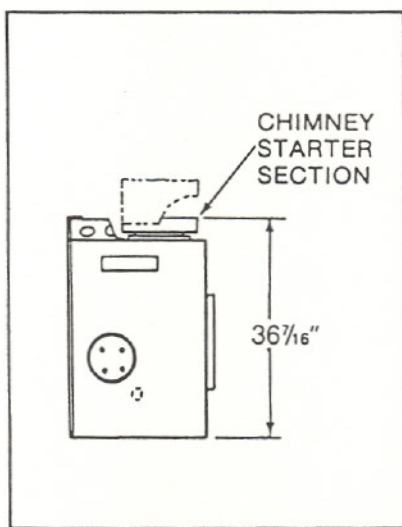


Figure 11
Fireplace (Side View)

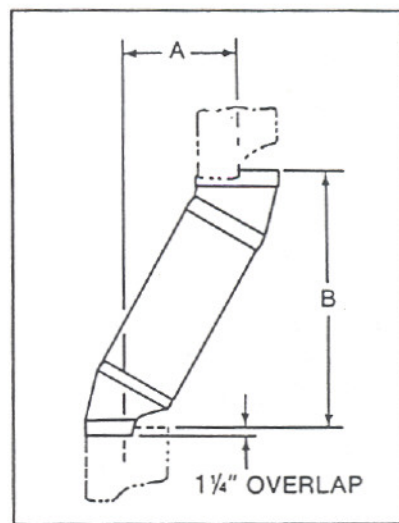


Figure 12
Chimney Offset/
Return

2. Refer to the appropriate chart and find the "A" dimension closest to but not less than the amount of offset required in your installation.

WARNING

DO NOT COMBINE OFFSETS TO INCREASE SHIFT DISTANCE BY USING (2) 30° ELBOWS TOGETHER AS AN EXAMPLE. THIS MAY CREATE A FIRE HAZARD SINCE THE NATURAL DRAFT MAY BE RESTRICTED.

3. Find the "B" dimension on the appropriate chart and determine if it is compatible with your installation.
4. Read across the chart and find the number of Chimney Sections required.
5. Refer to the Step-By-Step Installation Instructions following the charts.
6. All spaces between chimneys and the habitable areas between floors and ceilings must be Firestopped.

FOR AIR COOLED CHIMNEY ONLY

TABLE 1

30° Offset Chart

(Dimensions in Inches)

A	B	AC506	AC512	AC536	AC548	JB577
4 ⁵ / ₁₆	15 ¹⁵ / ₁₆	—	—	—	—	1
6 ¹ / ₁₆	20 ¹ / ₁₆	1	—	—	—	2
9 ¹ / ₁₆	25 ¹ / ₄	—	1	—	—	2
12 ¹ / ₁₆	29 ³ / ₈	1	1	—	—	3
15 ¹ / ₁₆	34 ⁹ / ₁₆	—	2	—	—	3
17 ¹ / ₁₆	38 ¹ / ₁₆	1	2	—	—	4
21 ¹ / ₁₆	46 ¹ / ₁₆	—	—	1	—	2
24 ¹ / ₁₆	50 ⁹ / ₁₆	1	—	1	—	3
27 ¹ / ₁₆	56 ⁷ / ₁₆	—	—	—	1	2
30 ¹ / ₁₆	60 ⁹ / ₁₆	1	—	—	1	3
33 ¹ / ₁₆	65 ³ / ₄	—	1	—	1	3
35 ¹ / ₁₆	69 ⁷ / ₈	1	1	—	1	4
38 ⁷ / ₁₆	75 ¹ / ₁₆	—	2	—	1	4
40 ¹³ / ₁₆	79 ³ / ₁₆	1	2	—	1	5
45 ¹ / ₁₆	86 ⁹ / ₁₆	—	—	1	1	3
47 ⁷ / ₁₆	90 ³ / ₈	1	—	1	1	4
51 ¹ / ₁₆	96 ¹⁵ / ₁₆	—	—	—	2	3

IF INSULSTACK® CHIMNEY WAS SELECTED:

Figure 13 illustrates the height from the bottom of the fireplace to the top of the chimney adapter.

Figure 14 and Tables 2 or 3 enable selection of the appropriate chimney components when using Offsets and Returns.

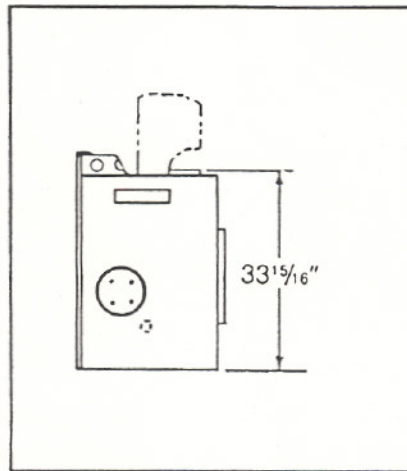


Figure 13
Fireplace (Side View)

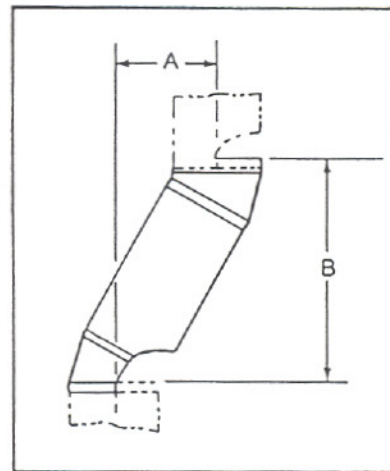


Figure 14
Chimney Offset/
Return

1. Determine amount of offset required to extend the chimney through a wall or around an obstacle. See Figure 14, dimension "A".
2. Determine the chimney components necessary for an INSULSTACK® Chimney installation by following Steps 2 through 6, listed on page 14.

FOR INSULSTACK® CHIMNEY ONLY

TABLE 2—15° Offset Chart
(Dimensions in Inches)

A	B	IC806	IC812	IC824	IC836	IC848	JB877
2 7/8"	11 7/8"	1					2
4"	17 3/4"		1				2
5 1/2"	23 1/2"	1	1				3
7 7/8"	29 1/4"			1			2
8 5/8"	35 5/8"	1		1			3
10 1/4"	40 7/8"				1		2
11 3/4"	46 3/4"	1			1		3
13 1/4"	52 1/2"					1	2
				2			3
14 7/8"	58 1/4"	1				1	3
		1		2			4
16 3/8"	64 7/8"		1			1	3
			1	2			4
18"	69 7/8"	1	1			1	4
		1	1	2			5
19 1/2"	75 5/8"			1		1	3
					2		3
21"	81 1/2"	1		1		1	4
		1			2		4
22 5/8"	87 1/4"			1	1	1	3
			1		2		4
24 1/8"	93"	1			1	1	4
		1	1		2		5
25 3/4"	98 7/8"					2	3
				1	2		4

TABLE 3—30° Offset Chart
(Dimensions in Inches)

A	B	IC806	IC812	IC824	IC836	IC848	JB877
5 1/4"	13 3/8"	1					2
8 1/4"	18 3/4"		1				2
11 1/4"	24"	1	1				3
14 1/4"	29 1/8"			1			2
17 1/4"	34 3/8"	1		1			3
20 1/4"	39 1/2"				1		2
23 1/4"	44 3/4"	1			1		3
26 1/4"	50"					1	2
				2			3
29 1/4"	55 1/8"	1				1	3
		1		2			4
32 1/4"	60 3/8"		1			1	3
			1	2			4
35 1/4"	65 1/2"	1	1			1	4
		1	1	2			5
38 1/4"	70 3/4"			1		1	3
					2		3
41 1/4"	75 5/8"	1		1		1	4
		1			2		4
44 1/4"	81 1/8"				1	1	3
			1		2		4
47 1/4"	86 3/8"	1			1	1	4
		1	1		2		5
50 1/4"	91 1/2"					2	3
				1	2		4

IV. STEP-BY-STEP INSTALLATION OF THE FIREPLACE SYSTEM

WARNING

BEFORE STARTING, DO THE FOLLOWING:

1. WEAR GLOVES AND SAFETY GLASSES FOR PROTECTION.
2. KEEP HAND TOOLS IN GOOD CONDITION. SHARPEN CUTTING EDGES AND MAKE SURE TOOL HANDLES ARE SECURE.
3. ALWAYS MAINTAIN THE MINIMUM AIR SPACE REQUIRED TO THE ENCLOSURE TO PREVENT FIRE.

STEP 1

Position the fireplace and nail wood blocks along the sides to prevent the fireplace from shifting (blocks may be removed later).

STEP 2

Slide the metal strip two inches under the front edge of the fireplace. See Figure 4. When the metal strip is not provided as a single piece, then the individual pieces must overlap each other approximately one inch.

STEP 3

Level the fireplace side-to-side and front-to-back. Shim as necessary. Secure the fireplace by utilizing the nailing flanges located on either side of the fireplace.

STEP 4

IF INSULSTACK® CHIMNEY WAS SELECTED:

Assemble the first section to the top of the fireplace. It may be either a straight Pipe Section or an Offset. If an Offset is used, it must be turned to its final position and locked in place with size 10 sheet metal screws provided with the Offset. Drill three 1/8" holes in the fireplace collar using the predrilled Offset holes as a template. See Figure 15.

IF AIR COOLED CHIMNEY WAS SELECTED:

Assemble the Air Cooled Starter Section to the fireplace top first. Securely lock it to the fireplace by a final short, quick motion. Assemble either a straight Pipe Section or an Offset to the Starter Section. Always secure all Offsets and Pipe Sections with the screws provided.

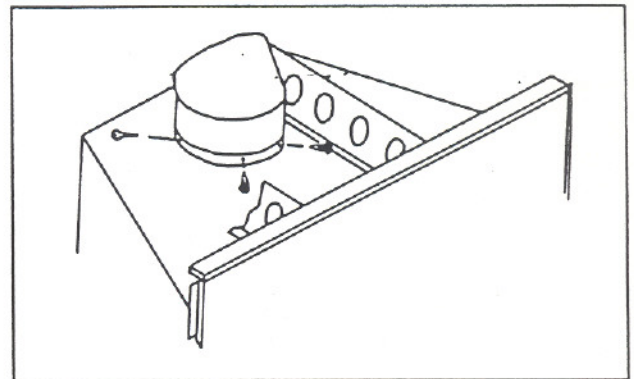


Figure 15
Offset Secured to Fireplace

WARNING

FOLLOW THE INSTRUCTIONS FOR ASSEMBLY OF THE PIPE AND OTHER PARTS, WHICH ARE PACKED WITH EVERY PIPE SECTION AND ALL OTHER COMPONENTS NEEDED TO INSTALL THIS FIREPLACE SYSTEM. FAILURE TO DO SO MAY RESULT IN A FIRE, ESPECIALLY IF COMBUSTIBLES ARE TOO CLOSE TO THE FIREPLACE OR CHIMNEY AND AIR SPACES ARE BLOCKED PREVENTING THE FREE MOVEMENT OF COOLING AIR.

□ STEP 5

Mark and cut out an opening in the ceiling for the particular Firestop Spacer being utilized. Frame the opening with the same size lumber used in the ceiling joists. See Chapter 25 of the Uniform Building Code for general construction requirements when "Framing Around Openings".

□ STEP 6

IF INSULSTACK® CHIMNEY WAS SELECTED:

Install the Firestop Spacer FS838 (Straight), FS839 (15° Offset, if Offset is located in the ceiling joist area), or FS840 (30° Offset, if Offset is located in the ceiling joist area). WSP841 is needed if the chimney penetrates a wall. See Figure 16. All Firestop Spacers are designed to provide the minimum two inch air space around the chimney. In all situations, the Firestops are to be nailed to the ceiling joists from the bottom, or the fireplace side. When the space above the ceiling is an attic space, then the top pan that comes with the Firestop must also be used. Nail the top pan from the attic side to ensure against loose or later blow-in-type insulation from falling into the required two inch air space around the chimney. See Figure 17. Firestop Spacers must be used at all ceiling levels where a chimney penetrates a living space.

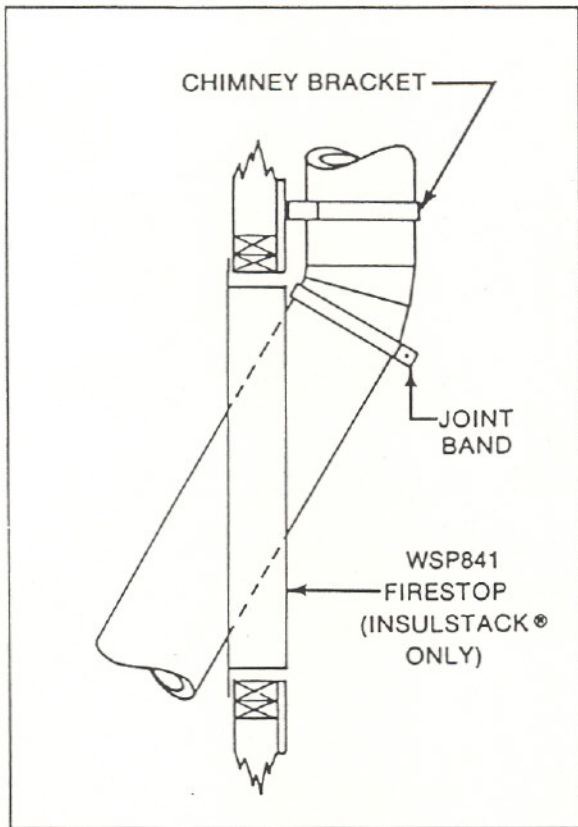


Figure 16
Chimney Installation
with Wall Firestop

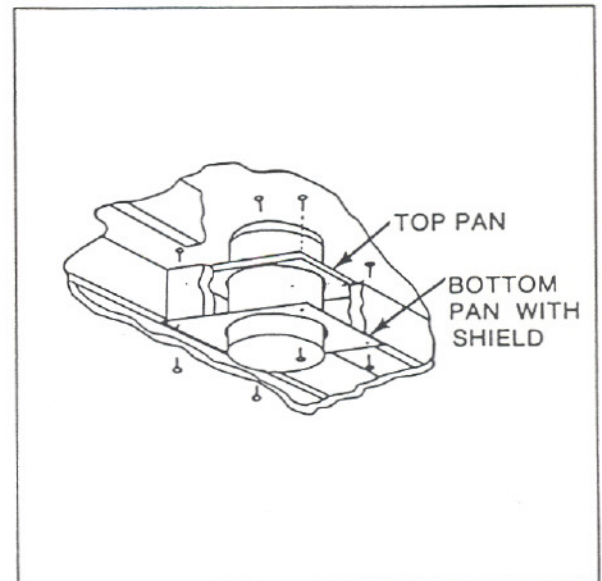


Figure 17
Straight Firestop with Top Pan

IF AIR COOLED CHIMNEY WAS SELECTED:

Install the Firestop Spacer FS538 (Straight), or FS540 (30° Offset, if Offset is located in the ceiling joist area). These Firestop Spacers are designed to provide the minimum two inch air space around the chimney. In all situations, the Firestops are to be nailed to the ceiling joists from the bottom or fireplace side, EXCEPT, when the space above the ceiling is an attic space. In this situation, the Firestop must be nailed from the attic side to ensure against loose or later blow-in-type insulation from falling into the required two inch air space around the chimney. Firestop Spacers must be used at all ceiling levels where the chimney penetrates a living space.

□ STEP 7

Continue assembling Chimney Sections up through the Firestop Spacers as needed. Check height and unsupported chimney length limitations described earlier.

IF INSULSTACK® CHIMNEY WAS SELECTED:

The maximum straight unsupported height is 12 feet above the firebox, and 25 feet between Chimney Stabilizers.

IF AIR COOLED CHIMNEY WAS SELECTED:

The maximum straight unsupported height is 25 feet above the firebox and between Chimney Stabilizers.

□ STEP 8

When Offsets/Returns are joined to straight Pipe Sections, they must be locked in position with the size 10 sheet metal screws provided, using the predrilled holes. Offsets/Returns and Chimney Stabilizers have straps for securing these parts to joists or rafters. Chimney Strapping, SZ810, is available or may be purchased locally and used in conjunction with Joint Bands to secure the chimney. Chimney Brackets may be used to stabilize the chimney. See Figures 18 and 19.

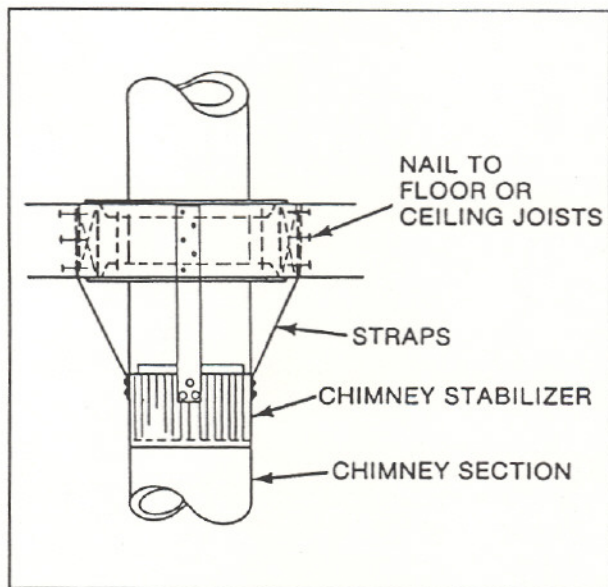


Figure 18
Chimney with Stabilizer

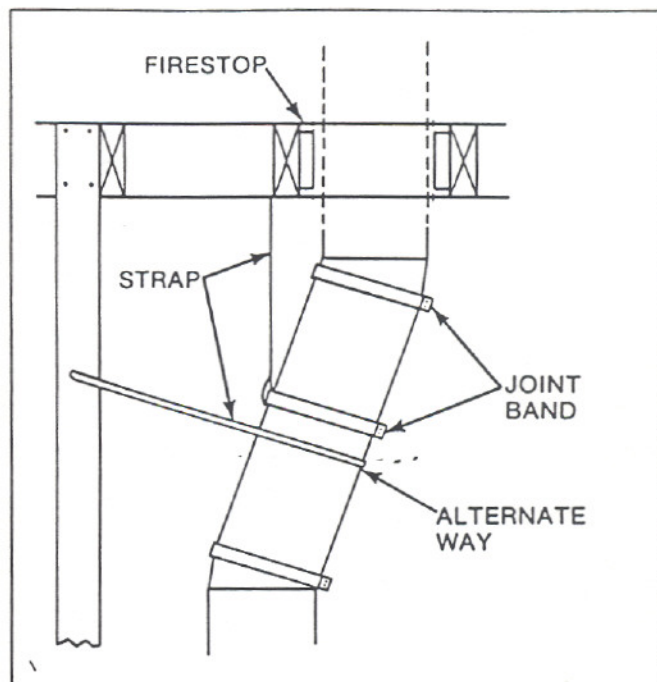


Figure 19
Offset/Return Installation

WARNING

CHIMNEY SECTIONS EXCEEDING 6 FEET (TWO 3 FOOT SECTIONS) WHEN USED WITH AN OFFSET/RETURN, MUST HAVE STRUCTURAL SUPPORT TO REDUCE OFF-CENTER LOADING AND PREVENT CHIMNEY SECTIONS FROM COMING APART AT SEAMS OR JOINTS.

□ STEP 9

Locate the point where the chimney will exit the roof by plumbing down to the center of the chimney. Drive a nail through the roof to mark the center.

Revised

STEP 10

IF INSULSTACK® CHIMNEY WAS SELECTED:

Measure to either side of the nail and mark the 14½" x 14½" opening required. This 14½" x 14½" is measured on the horizontal; actual length may be larger depending on the pitch of the roof. Cut out and frame the opening. See Chapter 25 of the Uniform Building Code for Roof Framing details.

IF AIR COOLED CHIMNEY WAS SELECTED:

Measure to either side of the nail and mark the 17" x 17" opening required. This 17" x 17" is measured on the horizontal; actual length may be larger depending on the pitch of the roof. Cut out and frame the opening. See Chapter 25 of the Uniform Building Code for Roof Framing details.

STEP 11

Continue to add Chimney Sections through the roof opening, maintaining at least a 2" air space.

STEP 12

IF INSULSTACK® CHIMNEY WAS SELECTED:

Install the Roof Flashing appropriate to the roof pitch. Assemble the Storm Collar to protect against rain entering around the outside of the chimney, and add the Chimney Terminal Cap. The Terminal Cap must be one of the following: RT874 (Round), ST875 (Square), and either Simulated Brick Termination, RB48 (Red) or TB48 (Tan).

IF AIR COOLED CHIMNEY WAS SELECTED:

Install the Roof Flashing appropriate to the roof pitch. Assemble the Storm Collar to protect against rain entering around the outside of the chimney, and add the Chimney Terminal Cap. The Terminal Cap must be one of the following: RT583 (Telescoping-Round), RT584 (Round), ST575 (Square), and either Simulated Brick Termination, RB48 (Red) or TB48 (Tan).

NOTICE

DETAIL INSTRUCTIONS FOR SEALING AND NAILING FLASHINGS, STORM COLLARS, AND SECURING TERMINATIONS ARE FOUND PACKAGED WITH THESE PARTS. THE INSTRUCTIONS MUST BE FOLLOWED TO ENSURE AGAINST THE EFFECTS OF METAL CORROSION. IN ADDITION, YOU WILL PROTECT THOSE PARTS MOST EXPOSED, SUCH AS CHIMNEY SECTIONS ABOVE THE ROOF LINE AS WELL AS ROOF FLASHINGS, BY FIRST WASHING THEM WITH A SOLVENT OR VINEGAR; AND THEN PAINTING WITH A RUST RESISTANT PAINT.

STEP 13

Frame the fireplace enclosure, allowing space for outside air ducts and gas piping if desired. Care must be taken with any electrical wiring to avoid exposure to high temperatures or mechanical damage to wire insulation.

STEP 14

Knockouts are provided on the right hand side of the fireplace to allow for connection of a decorative gas appliance, in accordance with the National Fuel Code, ANSI Z223.1-1980. The side refractory is designed to allow 1/2" iron pipe to pass through. Use a non-combustible sealant to seal any opening between the gas pipe and refractory on the inside. Repack the insulation removed, to seal around the gas pipe where it exits the side of the fireplace.

CAUTION

- 1. WHEN USING THE DECORATIVE APPLIANCE, THE FIREPLACE DAMPER MUST BE SET IN THE FULLY OPEN POSITION.**
- 2. A FULLY OPEN DAMPER ENSURES PROPER VENTING OF COMBUSTION PRODUCTS.**

□ STEP 15

IF CATALOG NUMBER BF36A WAS PURCHASED:

Install Outside Air if desired or required by local code, using the Instructions supplied with the AK36 Air Kit.

IF CATALOG NUMBER BF36C WAS PURCHASED:

You must complete the assembly by sliding the connector insulation against the fireplace side wall over the duct connector tube. Form the insulation around the tube to seal off any gaps and fix it in position with duct tape. See Figure 20.

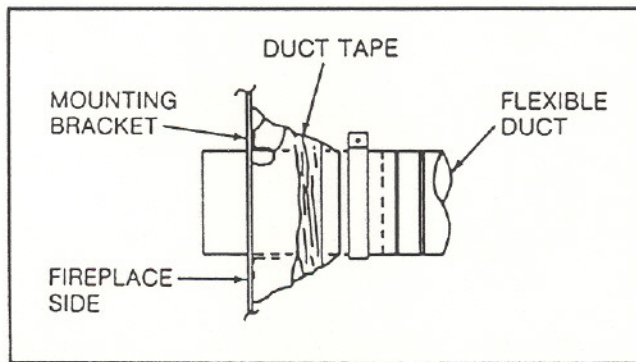


Figure 20
Outside Air Duct Sealed
To Fireplace (Right) Side.

NOTE: If Insulated Duct for Outside Air, Catalog Number ID4, is used, the studs will compress the side of the Insulated Duct about 3/4 inch. Insulated or Uninsulated Duct, UD4, must be ordered separately.

Mark and cut out the location selected on the building for air entry. Apply caulking and/or insulation to the building side of the flange and tube, and fasten it to the building.

Assemble the flexible duct between the duct connector and the flange and tube. Secure it in position with clamp bands from the fastener package.

NOTE: See the Installation Instructions packed with the Air Kit if a non-combustible facing is installed over the non-screened area of the fireplace front.

CAUTION

SIGNIFICANT COLD AIR MAY INFILTRATE THROUGH THE DUCT OR OTHER PARTS OF THIS SYSTEM. TO GUARD AGAINST THIS, CHECK FOR LIGHT LEAKS WITH A FLASHLIGHT AND SEAL THESE WITH DUCT TAPE AND/OR INSULATION. CONNECTOR INSULATION SHOULD BE FORMED AROUND THE TUBE AND FIREPLACE WALL TO SEAL ANY GAPS.

Check operation by turning the control knob clockwise to the full closed position and counterclockwise to open - about one quarter turn. The lock knob may be used to hold the damper blade in any position by turning it clockwise until it bears against the front of the fireplace. The damper blade insulated face should bear against the bead in the duct.

STEP 16

IF CATALOG NUMBER BF36A WAS PURCHASED:

Install Fans if desired, using the Instructions supplied with the FK25A Fan Kit.

NOTE: Whether intending to install the Fan now, or anticipating installation in the future, it is recommended that you pre-wire the fireplace at the junction box during the installation of the fireplace. Remove the junction box cover located on the left side of the fireplace by removing the two screws used to secure it. Remove the 13/16" diameter knockout by the side of the junction box opening and insert the electrical conduit attached to a 1/2" EMT conduit connector (pressure cast set screw type) through this hole and secure the conduit to the outer shell with the conduit connector lock nut. Firmly attach the supply wires to the appropriately colored receptacle lead wires in the junction box using a 105° C class wire nut that will accept (2) 18 ga. wires. Replace the junction box cover and secure it with the screws previously removed. See Figure 21.

WARNING

DISCONNECT POWER BEFORE STRIPPING OR JOINING ANY SUPPLY WIRES. ONLY PERSONS QUALIFIED FOR MAKING ELECTRICAL INSTALLATIONS (ELECTRICIANS) AS RECOGNIZED BY LOCAL OR NATIONAL GOVERNMENTAL BODIES SHOULD ATTEMPT TO MAKE THE INCOMING SUPPLY WIRE CONNECTIONS.

EDGES ARE SHARP. HAND PROTECTION IS RECOMMENDED. RECHECK ALL FASTENERS BEFORE LEAVING JOB.

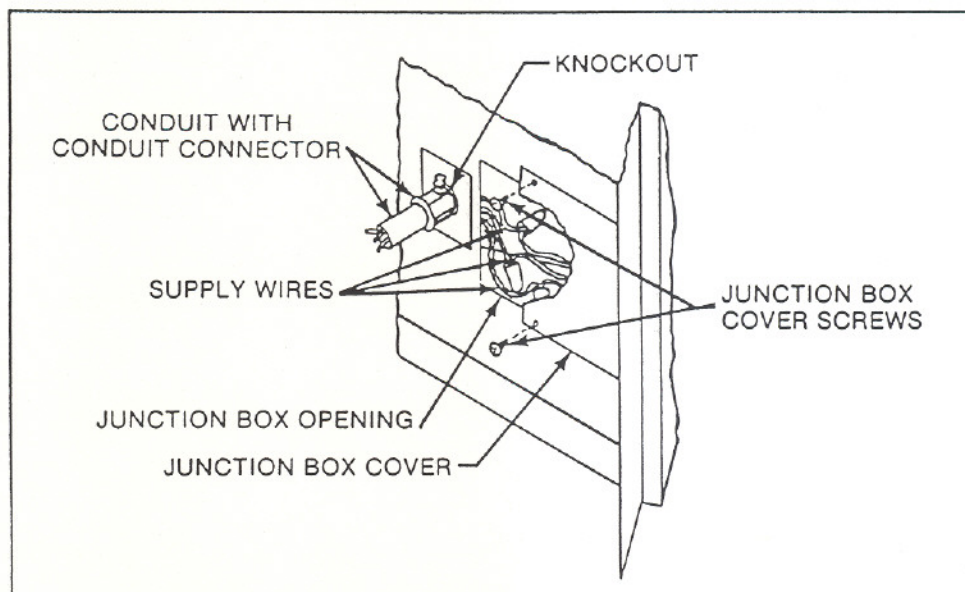


Figure 21
Junction Box Wiring

IF CATALOG NUMBER BF36B WAS PURCHASED:

You must complete the Fan assembly by following the procedure in the NOTE outlined under BF36A (page 21).

STEP 17

IF CATALOG NUMBER BF36H WAS PURCHASED:

You must complete the assembly by following the procedure for both the BF36C in Step 15 (page 20) and the BF36B in Step 16 (page 21).

STEP 18

Install Glass Doors if desired, using the Instructions supplied with these optional accessories. Protect Glass Doors from breakage by temporarily removing them until all construction is complete.

STEP 19

Position the Hearth Extension over the metal protective strip which should project about two inches in front of the fireplace bottom front. See Figure 4. Seal the crack between the Hearth Extension and fireplace with a non-combustible (sand-cement) grout.

STEP 20

Apply the finish materials of your choice. Do not install combustible materials over the black face of the fireplace or screened openings. You may use non-combustible material over the black - non-screened - face of the fireplace.

STEP 21

This fireplace is equipped with a factory installed Grate. In the event it becomes necessary to replace it, remove the pins from both ends of the back horizontal bar, using a vise grip to pull them free. Slide the Grate to one side so the opposite end clears the hub. Your new Grate will be supplied with new pins. Remove these pins and slide the Grate into the hubs located in each side of the firebox (one side at a time), and replace the pins on both ends of the Grate bar.

STEP 22

Prior to building your first fire in your fireplace, please read the "Operating Instructions" provided with the fireplace. If these Instructions are not available, please write to the address supplied on the U.L. label located directly behind the firescreen.

WARNING

DO NOT PACK REQUIRED AIR SPACES WITH INSULATION OR OTHER MATERIALS. THIS PREVENTS THE NATURAL CONVECTION COOLING WHICH MUST TAKE PLACE. THE REQUIRED CLEARANCES ARE TO THE ENCLOSURE AND SHOULD NOT BE REDUCED BY THE ADDITION OF OTHER MATERIALS WHETHER OF NON-COMBUSTIBLE OR COMBUSTIBLE MATERIAL. COMBUSTIBLE MATERIALS AS WELL AS THE NON-COMBUSTIBLE MATERIALS USED IN THE FIREPLACE MAY HAVE THEIR USEFUL LIFE REDUCED.

V. CONSTRUCTING A CHASE

The chase may be constructed for the fireplace and chimney or for the chimney only. A chase is an enclosure built around the system. It is most commonly constructed on an outside wall as shown below.

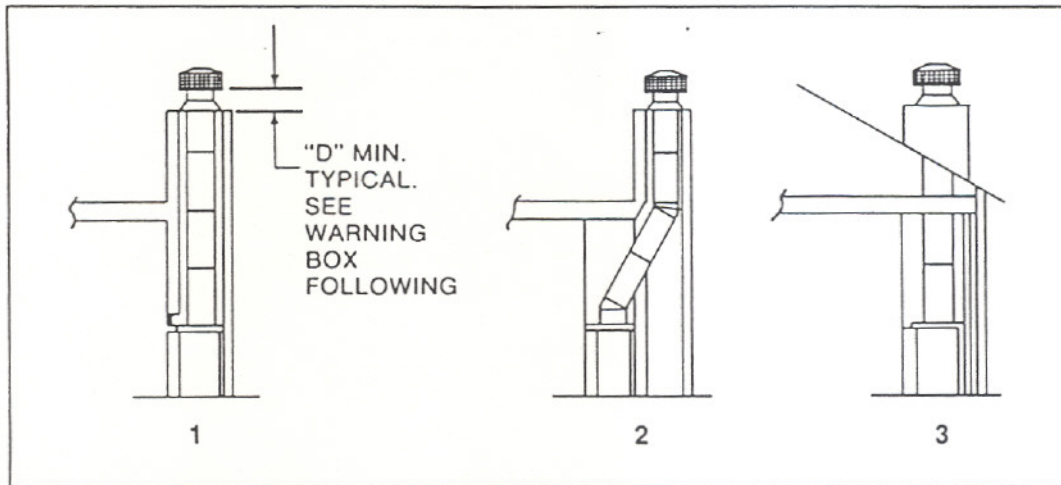


Figure 22
Chase Constructions

WARNING

DIMENSION "D" SHOWN IN FIGURE 22, CHASE CONSTRUCTIONS, VARIES WITH CHIMNEY STYLE. FOR AIR COOLED CHIMNEY, DIMENSION "D" MUST BE SIX INCHES MINIMUM. FOR INSULSTACK®, DIMENSION "D" MUST BE THREE FEET MINIMUM.

Three examples of chase applications are shown in Figure 22.

1. Fireplace and chimney enclosed in chase - exterior.
2. Chimney offset through exterior wall and enclosed in chase.
3. Chase constructed on roof.

MATERIALS FOR CHASE

The chase is constructed much the same as the walls in your home. A variety of materials may be used including brick, stone, veneer brick, or standard siding materials.

In constructing the chase, several factors must be considered.

1. Maintain a 2" clearance from the chimney to combustibles.
2. The Chase Top must be constructed of a non-combustible material.
3. The walls of the chase must be insulated to prevent heat leaking from the home around and through the fireplace.

TO INSTALL TERMINAL CAP ON CHASE - ENCLOSED CHIMNEY

1. Construct chase of desired materials maintaining a minimum 2" air space to combustible materials.

WARNING

NEVER INSTALL A SINGLE WALL SLIP SECTION OR SMOKE-PIPE IN A CHASE STRUCTURE. THE HIGHER TEMPERATURE OF THIS SINGLE WALL PIPE MAY RADIATE SUFFICIENT HEAT TO COMBUSTIBLE CHASE CONSTRUCTION MATERIALS TO CAUSE A FIRE.

2. Install the Chimney Sections up through the chase. The last section of Pipe must extend above the Chase Top to allow installation of the Storm Collar and Round Terminal Cap. See WARNING on page 23 for required distance. If a Square Terminal Cap is utilized, see separate Installation Instructions.
3. Attach the Chase Top to the top of the chase.
IF INSULSTACK® CHIMNEY WAS SELECTED:
Use CT36 Chase Top.
IF AIR COOLED CHIMNEY WAS SELECTED:
Use CT56 Chase Top.
4. Loosen bolt on Storm Collar and slide down over Pipe to Chase Top. Tighten bolt and seal around Collar.
5. Attach and secure either Round or Square Terminal Cap.

FIREPLACE FOR USE IN MOBILE HOMES

VI. The BF36A has also been tested and LISTED with Underwriters Laboratories Inc. for use in Mobile Homes. Fireplace Catalog Number BF36S includes partial factory assembly of the special Mobile Home Outside Combustion Air Kit, AK37, and the Glass Door Kit, GD36BF, for field assembly. Fireplace Catalog Number BF36T includes partial factory assembly of the Outside Combustion Air Kit, AK37, the Fan Kit, FK25A, and the Glass Door Kit, GD36BF, for field assembly.

Catalog Number MH514 has been established for the convenience of customers wishing to purchase the following combination of listed parts as one part number:

AC500	Qty. 1	AIR COOLED STARTER SECTION
AC536	Qty. 1	CHIMNEY SECTION - 36 INCHES LONG
AC548	Qty. 2	CHIMNEY SECTION - 48 INCHES LONG
AK37	Qty. 1	AIR KIT - OUTSIDE AIR
JB577	Qty. 1	JOINT BAND
MH539	Qty. 1	ROOF THIMBLE & FLASHING
RT584	Qty. 1	CHIMNEY TERMINAL CAP

VII. CONSTRUCTION REQUIREMENTS

The construction requirements described earlier in these Instructions also apply to Mobile Home installations, except as modified below.

WARNING

ONLY AIR COOLED CHIMNEY MAY BE USED FOR MOBILE HOMES.

WARNING

- 1. DO NOT INSTALL IN SLEEPING ROOM.**
- 2. COMBUSTION AIR NEEDS OF A HEAVILY FIRED UNIT MAY DEplete THE AVAILABLE OXYGEN SUPPLY.**

CAUTION

THE STRUCTURAL INTEGRITY OF THE MOBILE HOME FLOOR, WALL, CEILING/ROOF MUST BE MAINTAINED.

The fireplace must be secured to the Mobile Home structure to prevent the fireplace from shifting during transportation. Do this by nailing through the side flanges provided on the fireplace.

Only the following heights may be used for Mobile Homes:

The minimum straight height is 14 feet and the maximum straight height is 20 feet.

MOBILE HOME ROOF THIMBLE AND FLASHING KIT, MH539, must be used.

Note: For all Mobile Home installations, the AK37 Outside Air Kit, either partially factory assembled or ordered separately, and the Glass Door Kit, GD36BF, must be used.

HEATILATOR® FIREPLACE LIMITED WARRANTY

ORIGINATOR OF WARRANTY. This Limited Warranty is extended to Heatilator Inc., Division, HON INDUSTRIES, (hereinafter referred to as Heatilator), with respect to the HEATILATOR fireplace systems as described herein, while in its location of original installation.

PRODUCT. This HEATILATOR fireplace system (hereinafter sometimes referred to as the "System") is comprised of the fireplace proper (the firebox including refractory), chimney system, roof termination and grate, and also includes optional components of glass panel doors, heat circulation ducts, fans, and an outside combustion air system where applicable. Except where specifically excluded from coverage hereunder, this Limited Warranty covers all of the components and optional components designated. See **EXCLUSIONS AND QUALIFICATIONS** below, for further information on product coverage.

WARRANTY. The HEATILATOR fireplace system is warranted to be free from defects in materials and workmanship at the time of manufacture. The System, when comprised of defect-free components and optional components, if any, as described in the above paragraph, is further warranted to provide smoke-free operation for a period of twenty (20) years from the date of installation.

This Limited Warranty extends only to those HEATILATOR fireplace systems installed in the United States of America or the Dominion of Canada.

WHAT HEATILATOR WILL DO IN THE EVENT OF A DEFECT. If this HEATILATOR fireplace system is found to be defective in material or workmanship (see Heatilator's right of investigation outlined below), Heatilator will repair or replace such defects in the HEATILATOR fireplace system, at Heatilator's option, according to the following schedule:

During the first year of the Limited Warranty, Heatilator will provide replacement or repair parts for all components and optional components of the System at no charge, and also will pay for reasonable labor costs for repair work.

During the second through fifth years of the Limited Warranty, Heatilator will provide replacement or repair parts at no charge, for the components and optional components of the System, EXCEPT the grate, wire-mesh screen and the glass in the glass doors. Heatilator will assume no responsibility for any freight charges or labor costs.

During the sixth through twentieth years of the Limited Warranty, Heatilator will provide replacement or repair parts (if available) for the components and optional components of the System, EXCEPT the grate, refractory, fans, wire-mesh screen and the glass in the glass doors, at 50% of its then current published retail price. All freight charges and labor costs will be the responsibility of the customer.

EXCLUSIONS AND QUALIFICATIONS.

This Limited Warranty is subject to the following exclusions and qualifications:

This Limited Warranty does not apply to, and Heatilator assumes no responsibility for, any damages that result due to installation or operation not in accordance with both the Installation Instructions and the Operating Instructions furnished, chimney fires due to a lack of adequate cleaning (refer to Operating Instructions), or roof stains caused by creosote.

The HEATILATOR fireplace system must be subjected to normal use as explained in the Operating Instructions and the Underwriters Laboratories label located in the firebox, including burning only natural wood. Fuel products with abnormal burning characteristics, including synthetic fuels (e.g. synthetic logs, wood treated with flammable liquid, logs made from pressed wood), burn at excessive temperatures which may cause the System to function improperly. Flammable liquid fuels are explosive and never should be used to start the fire. Heatilator does not warrant the structural or functional performance of the System when such fuels as mentioned or described herein have been used.

Fires in the fireplace (the firebox) must be built on a grate equivalent to the integral grate originally supplied with the firebox.

This Limited Warranty applies only if adequate ventilation is provided to allow proper draft to the fireplace. Heatilator assumes no responsibility for improper performance of the System caused by inadequate draft due

to environmental conditions (e.g. wind currents), tight-sealing construction, or mechanical devices (e.g. air conditioning, exhaust fans), any or all of which may cause a negative air pressure within the structure where the fireplace is installed.

- (5) This Limited Warranty applies only to the components and optional components of the System manufactured or specifically approved by Heatilator; and Heatilator expressly excludes any liability hereunder for defects or damage caused by the installation or use of any such unauthorized or unapproved component or optional component. Heatilator further assumes no liability for defects or damage caused by the use or installation of any fireplace insert, auxiliary heat device, or other modification not expressly authorized and approved by Heatilator. Unauthorized components, optional components, or modifications could create a fire hazard by altering the safety design of the fireplace.
- (6) Labor costs to be borne by Heatilator pursuant to this Limited Warranty must be approved by Heatilator and must not exceed the retail price of replacement parts.
- (7) This Limited Warranty shall be void if the System is at any time or has been removed from the place in which it was originally installed.

LIMITATION OF LIABILITY.

IT IS EXPRESSLY AGREED AND UNDERSTOOD THAT HEATILATOR'S OBLIGATION AND PURCHASER'S EXCLUSIVE REMEDY UNDER THIS WARRANTY, UNDER ANY OTHER WARRANTY, EXPRESS OR IMPLIED (INCLUDING MERCHANTABILITY), OR OTHERWISE, SHALL BE LIMITED TO REPLACEMENT OR REPAIR OF ONLY HEATILATOR® BRAND COMPONENTS AND OPTIONAL COMPONENTS AS ABOVE SPECIFIED.

THE DURATION OF ANY IMPLIED WARRANTY APPLICABLE TO THIS HEATILATOR® FIREPLACE SYSTEM IS LIMITED TO THE DURATION OF THE FOREGOING WARRANTY. SOME STATES DO NOT ALLOW LIMITATIONS ON HOW LONG AN IMPLIED WARRANTY LASTS SO THE ABOVE LIMITATION MAY NOT APPLY TO YOU.

IN NO EVENT SHALL HEATILATOR BE RESPONSIBLE FOR ANY INCIDENTAL OR CONSEQUENTIAL DAMAGES CAUSED BY DEFECTS IN THE HEATILATOR® FIREPLACE SYSTEM, WHETHER SUCH DAMAGE OCCURS OR IS DISCOVERED BEFORE OR AFTER REPLACEMENT OR REPAIR, AND WHETHER OR NOT SUCH DAMAGE IS CAUSED BY HEATILATOR'S NEGLIGENCE.

SOME STATES DO NOT ALLOW THE EXCLUSION OR LIMITATION OF INCIDENTAL OR CONSEQUENTIAL DAMAGES, SO THE ABOVE LIMITATION OR EXCLUSION MAY NOT APPLY TO YOU.

BUILDING CODES. Since building code requirements vary greatly throughout the United States and Canada, users of this System should determine in advance whether there are any building code restrictions on the installation or use of this System. Heatilator makes no representation or warranty regarding building code compliance and shall not be responsible for compliance therewith.

HEATILATOR NOT RESPONSIBLE FOR WORK DONE WITHOUT WRITTEN CONSENT. Heatilator shall in no event be responsible for any Warranty work done without first obtaining Heatilator's written consent.

DEALERS HAVE NO AUTHORITY TO ALTER THIS WARRANTY. Heatilator's employees and dealers have no authority to make any warranty nor to authorize any remedies in addition to or inconsistent with those stated above.

IMPLIED WARRANTY RIGHTS. This Warranty gives you specific legal rights, and you may have other rights which vary from state to state. In the event of a problem with Warranty service or performance, you may be able to go to a small claims court, State court, or a Federal district court.

HOW TO REGISTER A CLAIM AGAINST WARRANTY. In order for any claim under this Limited Warranty to be valid, Heatilator must be notified of the claimed defect in writing to Heatilator Inc., Customer Relations Department, 1915 West Saunders Road, Mt. Pleasant, IA. 52641. Heatilator reserves the right to investigate any and all claims against this Warranty.

HEATILATOR is a registered trademark of Heatilator Inc.



Attention
**Fireplace
Installer:**

*Please return operating
and installation
instructions to the firebox
for consumer use.*

- WARRANTY ENCLOSED -

heatilator[®]
AMERICA'S FIREPLACE SPECIALISTS

heatilator[®]
AMERICA'S FIREPLACE SPECIALISTS

Free Manuals Download Website

<http://myh66.com>

<http://usermanuals.us>

<http://www.somanuals.com>

<http://www.4manuals.cc>

<http://www.manual-lib.com>

<http://www.404manual.com>

<http://www.luxmanual.com>

<http://aubethermostatmanual.com>

Golf course search by state

<http://golfingnear.com>

Email search by domain

<http://emailbydomain.com>

Auto manuals search

<http://auto.somanuals.com>

TV manuals search

<http://tv.somanuals.com>