

# UNVENTED ROOM HEATER

## DiamondGlo Heater Models HMDGII and HMDGJ

**WARNING:** Improper installation, adjustment, alteration, service or maintenance can cause property damage, personal injury or loss of life. Refer to this manual for information. Installation and service must be performed by a qualified installer, service agency or the gas supplier.

This is an unvented gas-fired heater. It uses air (oxygen) from the room in which it is installed. Provisions for adequate combustion and ventilation air must be provided. Refer to page 4 of these instructions.

This heater is equipped with a **PILOT LIGHT SAFETY SYSTEM** designed to turn off the heater if not enough fresh air is available.

### **DO NOT TAMPER WITH PILOT LIGHT SAFETY SYSTEM**

**WARNING:** If the information in this manual is not followed exactly, a fire or explosion may result causing property damage, personal injury or loss of life.

Do not store or use gasoline or other flammable vapors and liquids in the vicinity of this or any other appliance.

#### **WHAT TO DO IF YOU SMELL GAS**

- ◆ Do not try to light any appliance.
- ◆ Do not touch any electrical switch; do not use any phone in your building.
- ◆ Immediately call your gas supplier from a neighbor's phone. Follow the gas supplier's instructions.
- ◆ If you cannot reach your gas supplier, call the fire department.

Installation and service must be performed by a qualified installer, service agency or the gas supplier.

**IMPORTANT: BEFORE BEGINNING INSTALLATION READ COMPLETE INSTRUCTIONS CAREFULLY.**

## **WARNING!**

**When used without fresh air, heater may give off CARBON MONOXIDE, an odorless poisonous gas.**

### **DO NOT TAMPER WITH PILOT LIGHT SAFETY SYSTEM**

This heater is equipped with a **PILOT LIGHT SAFETY SYSTEM** designed to turn off the heater if not enough fresh air is available.

If heater shuts off, do not relight until you provide fresh air.

If heater keeps shutting off, have it serviced by a qualified installer, service agency or the gas supplier. Keep burner and control compartment clean.

## **WARNING**

- ◆ Due to high surface temperatures, the appliance should be located out of traffic and away from furniture and draperies.
- ◆ Children and adults should be alerted to the hazard of high surface temperature and should stay away to avoid burns or clothing ignition.
- ◆ Young children should be carefully supervised when they are in the same room as the appliance.
- ◆ Do not place clothing or other flammable material near the appliance.
- ◆ Any safety screen or guard removed for servicing the appliance must be replaced prior to operating the appliance.
- ◆ Installation and repair should be done by a qualified service person. The appliance should be inspected and cleaned before use and at least annually by a professional service person. More frequent cleaning may be required due to excessive lint from carpeting, bedding material, etc. It is imperative that control compartments, burners and circulating air passageways of the appliance be kept clean.
- ◆ Any change to this heater or its controls can be dangerous.
- ◆ Do not allow fans to blow directly into the heater. Avoid any drafts that alter burner flame patterns.
- ◆ Do not use a blower insert, heat exchanger insert or other accessory not approved for use with this heater.

## IMPORTANT INFORMATION

- ◆ This appliance must not be installed in a bedroom or bathroom.
- ◆ Do not use this room heater if any part has been under water. Immediately call a qualified service technician to inspect the room heater and to replace any part of the control system and any gas control system and any gas control which has been under water.
- ◆ **WARNING:** When used without fresh air, heater may give off CARBON MONOXIDE, an odorless poisonous gas.
- ◆ Early signs of carbon monoxide poisoning resemble the flu. with headache, dizziness and/or nausea. If you have these signs, heater may not be working properly. Get fresh air at once! Have heater serviced.
- ◆ Some people - pregnant women, persons with heart or lung disease, anemia, those under the influence of alcohol and those at high altitudes are more affected by carbon monoxide than others.

## ATTENTION INSTALLER:

REVIEW AND LEAVE THESE INSTRUCTIONS WITH CUSTOMER FOR FUTURE REFERENCE.

## COMBUSTION AND VENTILATION PROVISIONS

**WARNING:** This heater shall not be installed in a confined space or unusually tight construction unless provisions are provided for adequate combustion and ventilation air.

### Confined Space and Unconfined Space

*The National Fuel Gas Code, ANSI Z223.1* defines a confined space as a space whose volume is less than 50 cubic feet per 1,000 Btu per hour (4.8m<sup>3</sup> per kw) of the aggregate input rating of all appliances installed in that space and an unconfined space as a space whose volume is not less than 50 cubic feet per Btu per hour (4.8m<sup>3</sup> per kw) of the aggregate input rating of all appliances in that space. Rooms communicating directly with the space in which the appliances are installed, through openings not furnished with doors, are considered a part of the unconfined space.

**WARNING:** If the area in which the heater may be operated is smaller than that defined as an unconfined space or if the building is of unusually tight construction, provide adequate combustion and ventilation air by one of the methods described in the National Fuel Gas Code, ANSI Z223.1, Section 5.3 or applicable local codes.

### Unusually tight construction is defined as construction where:

- a. Walls and ceilings exposed to the outside atmosphere have a continuous water vapor retarder with a rating of 1 perm (6 x10<sup>-11</sup> kg per pa-sec-m<sup>2</sup>) or less with openings gasketed or sealed, and
- b. Weather stripping has been added to openable windows and doors, and
- c. Caulking or sealants are applied to areas such as joints around windows and door frames, between sole plates and floors, between wall-ceiling joists, between wall panels, at penetrations for plumbing, electrical and gas lines and at other openings.

### Instructions for determining maximum Btu's for a room

#### Step 1

This calculation is for combustion and ventilation air provisions only and is not intended to be used for sizing for heating comfort. To determine the maximum Btu's allowed for a given room size you will need to calculate the volume of the room in cubic feet. To perform this calculation, fill in the table below and multiply the room's width, length and height to obtain the room volume in cubic feet.

ROOM LENGTH	ROOM WIDTH	ROOM HEIGHT	ROOM VOLUME IN CUBIC FEET
X	X	=	

**Example:** If your room is 20 feet in length, 16 feet wide and has an 8 foot ceiling height, the calculation would be as follows: 20 x 16 x 8 = 2,560 cubic feet.

#### Step 2

Divide the room volume by 50 cubic feet to determine the maximum Btu's per hour the room can utilize.

**Example:** Using the above example: 2,560 cubic feet divided by 50 = 51.2 x 1,000 = 51,200 Btu's.

If the rate of your appliance plus any other gas appliances installed in the space is rated at more Btu's than the example calculated above, you must follow instructions for confined space. See shaded WARNING above. If your appliance is rated at less Btu's than the example calculated above, then your area is considered unconfined space.

# INSTALLATION INSTRUCTIONS

The installation of this appliance must conform with local codes or, in the absence of local codes with the National Fuel Gas Code, ANSI Z223.1.

**NOTE:** Before the unit is connected to any gas line, check the name plate on the unit for the proper gas type you will be using.

**Do not install this appliance in a bedroom or bathroom.**

*This appliance is equipped with a control valve that has an internal regulator, and is not intended to regulate any gas pressure above 1/2psig. If using LP gas, a low pressure regulator (not furnished) must be installed in the gas line between the tank and appliance. Do not connect the appliance to the gas line if this regulator is not in place. If using natural gas, check with the gas company to insure that proper gas pressure is available.*

**GAS PRESSURE:** Minimum inlet gas supply pressure must be 5.0" WC for natural gas or 11" WC for LP gas for the purpose of input adjustment. Maximum inlet gas supply pressure must not exceed 10.5" WC for natural gas, or 13" WC for LP gas. The gas line supplying the appliance must be sufficient size to furnish the appropriate supply pressure to the appliance when being operated on the high setting.

- ◆ The appliance and its appliance main gas valve must be disconnected from the gas supply piping system during any pressure testing of that system at test pressures in excess of 1/2 psig (3.5kPa).
- ◆ The appliance must be isolated from the gas supply piping system by closing its individual manual shutoff valve during any pressure testing of the gas supply piping system at test pressures equal to or less than 1/2psig (3.5kPa).
- ◆ Always keep appliance area clear and free from combustible materials, gasoline and other flammable vapors and liquids.
- ◆ Pressure tap screws must be closed before turning on gas to appliance.

## HEATER CLEARANCES FROM COMBUSTIBLES:

The minimum clearances to any combustible surface are: 1 inch from the left and right sides, 4 inches from the rear, 24 inches from the front and 24 inches from the top of the heater. The left and right side clearances are measured from the outside edge of the top of the heater. The front clearance is measured from the front of the cabinet and the top measurement is measured from the top of the heater. The rear clearance is measured from the back panel of the heater.

## CLEARANCES AROUND AIR OPENINGS:

Do not place any material or store any objects behind the heater. After installation of the heater, do not block the open area behind the heater in any way.

## HEATER CLEARANCES FOR SERVICING:

The minimum clearances for servicing the heater are: 18 inches from the right side and 18 inches from the rear of the heater.

This appliance may be installed in an aftermarket permanently located manufactured (mobile) home, where not prohibited by state or local codes.

Aftermarket: Completion of sale, not for the purpose of resale, from the manufacturer.

This appliance is only for use with the type of gas indicated on the rating plate. This appliance is not convertible for use with other gases.

# ASSEMBLY INSTRUCTIONS

**NOTE: It is recommended by the manufacturer that a qualified individual install this appliance.**

Your new DiamondGlo heater is shipped in one box and the logs are shipped in a separate box. Packed with the DiamondGlo heater is a thermostat that must be hooked to the appliance before it is operated. Please follow the instructions on page 7 for the installation of this thermostat.

1. Remove DiamondGlo heater from the box by cutting bands around the box and lifting the box off the heater.
2. Lift heater from the bottom of the box and place near the final location of the heater. **CAUTION: Lift heater when moving. Do not slide heater on the floor.**
3. Locate thermostat that was packaged with the heater and see instructions on page 7 of these instructions for installation of the thermostat.
4. The manufacturer has furnished a 3/8" flare brass fitting for connection to the gas line. If the gas line is anything but a 3/8" flare connection, this fitting must be changed to the appropriate fitting by the installer.
5. Connect the gas line to the fitting located at the back of the heater.
6. Remove the screen from the front of the heater by removing the screw from the middle top of the screen, and pulling the screen off by pulling on the two brass knobs located on the bottom of the screen.
7. Place the heater in its final location.
8. Make sure all gas connections are tight. Turn on gas and coat each joint with a soap and water solution and watch for air bubbles which will indicate leaks. Any leaks must be corrected before proceeding with installation. **DO NOT USE A FLAME OR ANY IGNITION SOURCE TO CHECK FOR LEAKS.**
9. Your DiamondGlo heater was leak tested before it left the factory, but it is recommended to check all connections for leaks.
10. Remove logs from box. Notice the notches in the larger logs and the numbers on the bottom of the same logs. *The log placement is very important to the safe operation of the appliance.*
11. **NOTE: For correct log placement, match the log placement photo in this manual with the model number of your heater. The logs MUST be placed exactly as shown. If there is any evidence of carbon or blackening on the logs, they may be incorrectly placed. There should not be any carbon or blackening on the logs at any time.**
12. Place the back log in the grooves on the elevated cradle toward the back of the grate making sure the grooves in the bottom of the log fit on the cradle.
13. Place the middle log in the grooves on the center elevated section of the cradle making sure the grooves in the bottom of the log fit on the cradle. This will position the middle log between the burner.
14. Place the front log on the front of the grate in front of the cradle making sure the grooves on the bottom and front of the log fit the bars on the grate.
15. Place the small top logs in the grooves on top of the front and back log, making sure these logs lay across the middle log in the appropriate groove.
16. Match the model number of your heater with the heater model number on page 12 of this instruction manual. The log placement should look like this. If it doesn't, follow steps 10 through 16 above.
17. Replace the front screen on the heater by sliding the two sides into the notches and replacing the screw in the top middle of the screen.

# INSTALLATION AND OPERATING INSTRUCTIONS

## THERMOSTAT - REMOTE CONTROL

### THERMOSTAT

- ◆ It is suggested by the manufacturer that a qualified individual make this installation.
  - ◆ Your DiamondGlo II and DiamondGlo JR is shipped from the factory with a thermostat included. Follow these instructions for the installation and operation of this thermostat.
  - ◆ Locate the control valve at the back of the heater. Notice the electric terminals on the control valve, located on the right hand side of the valve when facing the back of the heater. See FIG 1.
1. Decide where you want to mount the thermostat. The thermostat can be mounted directly to the back of the heater using the bracket that is furnished with the thermostat or it can be located on a wall adjacent to the heater. (The bracket can be discarded if the thermostat is mounted on the wall adjacent to the heater.)
  2. Run wire (included) from the log set to the location of the thermostat.
  3. *It is recommended that only the wire furnished with the thermostat is used.*
  4. You may cut the wire to the appropriate length needed, but it is recommended not to use any additional wire, so locate the thermostat within the distance of the wire included.
  5. Attach the two bare end wires to the wall thermostat.
  6. Make sure the ON/OFF lever on the wall thermostat is turned OFF and mount the wall thermostat. The cover of the thermostat snaps off for access to the mounting screw location.
  7. Attach the two wires at the control valve to the two outside terminals on the terminal block. See drawing at right. (FIG. 1) (Make sure the wall thermostat is turned OFF.)
  8. Follow the safety information on page 9 of this instruction manual.
  9. Follow the lighting instructions on page 9 of this instruction manual.
  10. After lighting the pilot, turn the ON/OFF control knob (FIG. 4 on page 9) to the ON position and the thermostat ON/OFF lever to the ON position. Adjust the temperature lever to the desired position. You can now adjust the HI/LOW knob to the desired level. If you have the HI/LOW control knob on “HI” the log set will burn on high flame when the thermostat calls for heat. If you have the HI/LOW control knob on “LOW” the log set will burn on low flame when the thermostat calls for heat.
  11. You can allow the log set to operate by the thermostat setting or you can keep the log set from operating by turning the ON/OFF lever to “OFF” on the thermostat.
  12. *It is recommended that the ON/OFF control knob (FIG. 4 on page 9) on the control valve be turned to the “OFF” position when leaving home for any period of time.*

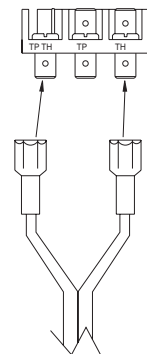


FIG. 1

## THERMOSTAT REMOTE CONTROL

- ◆ Remove screen from front of heater. Place the remote control receiver on the floor of the heater, over next to the inside wall of the heater. Run the two wires from the receiver through the opening in the floor of the heater so they can be connected to the valve. ( NOTE: Make sure the wires are placed so they are not close to any flames on the burner.)
- ◆ It is recommended by the manufacturer that a qualified individual install this device.
- ◆ The DiamondGlo II and DiamondGlo Jr. are shipped from the factory with a thermostat included. If using the Thermostat Remote Control, the thermostat package, including the wire can be discarded.
- ◆ Locate the control valve located at the back of the heater. Notice the electric terminals on the control valve, located on the right hand side of the valve when facing the back of the heater. See FIG. 2.

1. Follow the instructions supplied with the Thermostat Remote Control.  
*This is a millivolt gas valve.*

**It is recommended by Heatmaster, Inc. that all precautions are followed exactly.** (NOTE: In the instructions supplied with the remote control, there are instructions on a crackling sound system. This is an optional system and is not available from Heatmaster, Inc.)

2. Follow the safety information on page 9 of this instruction manual.
3. Follow the lighting instructions on page 9 of this instruction manual.
4. After lighting the pilot, turn the ON/OFF control knob (FIG. 4 on page 9) to the “ON” position. You may now operate your log set according to the remote control instructions. You can now adjust the HI/LOW knob to the desired level. If you have the HI/LOW control knob on “HI”, the log set will burn on high flame when the remote control calls for heat. If you have the HI/LOW control knob on “LOW” the log set will burn on low flame when the remote control calls for heat.
5. *It is recommended that you turn the ON/OFF control knob (FIG. 4 on page 9) on the control valve to the “OFF” position when leaving home for any period of time.*

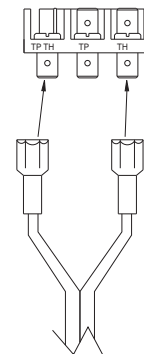


FIG. 2

## FAN OPERATION

Your heater can be operated without the fan running in the event of a power failure.

Your heater is equipped with a built-in thermostat that will cause the fan to operate with the burner unit in the heater. The heater may need to operate approximately 5 minutes before the fan thermostat allows the fan to come on. After the burner shuts off, the fan may continue to run for approximately 5 minutes before the fan thermostat allows it to cut off. The fan is designed to operate with the burner unit of the heater automatically as long as the electrical cord is plugged in.



## FOR YOUR SAFETY READ BEFORE LIGHTING

**WARNING:** If you do not follow these instructions exactly, a fire or explosion may result causing property damage, personal injury or loss of life.

- A. This appliance has a pilot which must be lighted by hand. When lighting the pilot, follow these instructions exactly. This appliance is equipped with a push button piezo ignition device which can be used to light the pilot. If the piezo fails to ignite the pilot, then follow the instructions for lighting pilot with match.
- B. **BEFORE LIGHTING** smell all around the appliance area for gas. Be sure to smell next to the floor because some gas is heavier than air and will settle on the floor.  
**WHAT TO DO IF YOU SMELL GAS**
  - ◆ Do not try to light any appliance.
  - ◆ Do not touch any electrical switch; do not use any phone in your building.
  - ◆ Immediately call your gas supplier from a neighbor's phone. Follow the gas supplier's instructions.
  - ◆ If you cannot reach your gas supplier, call the fire department.
- C. Use only your hand to push in or turn the gas control handle, Never use tools. If the handle will not push in or turn by hand, do not try to repair it. Call a qualified service technician. Force or attempted repair may result in fire or explosion.
- D. Do not use this appliance if any part has been under water. Immediately call a qualified service technician to inspect the appliance and to replace any part of the control system and any gas control which has been under water.

## LIGHTING INSTRUCTIONS

1. STOP! Read the safety information previously listed above.
2. Make sure the thermostat or remote control is in the "OFF" position.
3. Turn ON/OFF control knob (FIG. 4) clockwise ↻ to the "OFF" position. Do not force.
4. Wait five (5) minutes to clear out any gas. Then smell for gas, including near the floor. If you smell gas, STOP! Follow "B" in the safety information above on this label. If you don't smell gas, go to the next step.
5. Locate pilot (Fig. 3) - mounted on the outside of the right hand bracket that holds the burner in place, just behind the front part of the burner.
6. Turn ON/OFF control knob (FIG. 4) counterclockwise ↺ to the "PILOT" position.
7. Push down on ON/OFF (FIG. 4) control knob until it stops and hold down. While still holding down on the knob, press down on the igniter push button (FIG. 4) several times. This will cause a spark at the pilot burner which will ignite the pilot flame. Continue to hold the ON/OFF control knob (FIG. 4) down for about (1) minute after the pilot is lit. Release knob and it will pop back out. Pilot should remain lit. If it goes out, repeat steps 1 through 6.
  - ◆ If the knob does not pop out when released, stop and immediately call your service technician or gas supplier.
  - ◆ If the pilot will not stay lit after several tries, turn the gas control handle to "OFF" and call your service technician or gas supplier.
  - ◆ **LIGHTING PILOT WITH MATCH:** Remove screen from the front of the heater. Turn ON/OFF control knob (FIG. 4) counterclockwise ↺ to "PILOT". Place a lit match at the pilot burner, then push the ON/OFF control knob (FIG. 4) down until it stops. Continue to hold the control knob in for about one (1) minute after the pilot is lit. Release knob and it will pop back out. Pilot should remain lit. If it goes out, repeat the above step.
  - ◆ Replace screen on the front of the heater.
  - ◆ If the pilot will not stay lit after several tries, turn the ON/OFF control knob (FIG. 4) clockwise ↻ to "OFF" and call your service technician or gas supplier.
8. To turn the main burner on, turn ON/OFF control knob counterclockwise ↺ to the "ON" position.
9. Adjust the heater to high or low by turning the HI/LOW control knob (FIG. 4).
10. Adjust thermostat to the desired setting.

## TO TURN OFF GAS TO APPLIANCE

Turn ON/OFF control knob (FIG. 4) clockwise ↻ to the "OFF" position. Do not force.

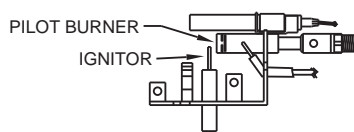


Fig. 3

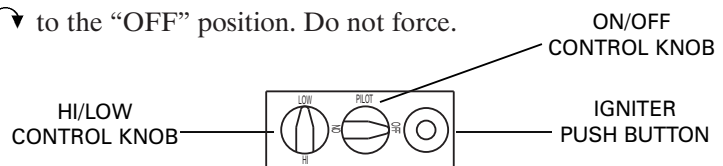


Fig. 4

# CLEANING AND MAINTENANCE INSTRUCTIONS

## ALWAYS REMEMBER:

1. Do not place any combustible material near the appliance.
  2. Do not place any paper, trash or other material on the log set or in the heater.
  3. Do not touch any part of the appliance when the unit is in operation.
- 

Your heater is designed to be virtually maintenance free, although periodic visual inspection and cleaning is required. Follow the instructions below for the correct procedures.

If at any time the flames on your log set look abnormal or an odor is noticed that coming from the appliance, contact a qualified service technician or the gas company.

Periodically, visually inspect the main burner flames as well as the pilot flame. The appearance of these flames should resemble the drawings on page 11 (FIG. 5 and FIG. 6 or FIG. 7). Any measurements are approximate. Flame heights may vary.

To ensure that your unit operates at peak performance, inspect and clean it at least monthly during the heating season by following the guidelines below. More frequent cleaning may be required due to excessive lint from carpeting, bedding material, etc. It is imperative that control compartments, burners and circulating air passageways of the appliance be kept clean.

**CAUTION:** Before cleaning the appliance, be sure it is turned completely off. The pilot should also be turned off. The unit must be completely cooled.

## DO NOT USE ANY CLEANING FLUIDS OR TOOLS FOR CLEANING PURPOSES

1. Remove front screen.
2. Remove logs from front assembly and place on the floor close to the heater.
3. Lightly vacuum any loose particles or dust from the grate and burner. Pay close attention to the air opening at the beginning of the main burner. This opening is located at the point of the main burner where the gas line from the control valve is attached. This opening must remain free of any obstruction.
4. Lightly vacuum any loose particles or dust from the pilot flame area, being sure not to touch any part of the pilot with the vacuum.
5. Lightly vacuum any dust from the logs.
6. Carefully replace logs on the grate assembly and relight the pilot as stated in this instruction manual.

**NOTE:** If any of the appliance parts are hit with the vacuum during cleaning, a gas leak could occur. If this happens, be sure to check for leaks as described on page 6 of this instruction manual.

## FAN MOTOR LUBRICATION

- ◆ It is recommended by the manufacturer that the fan motor be re-lubricated every six (6) months.
  - ◆ Use six (6) drops of a #20 non-detergent oil when re-lubricating.
1. Unplug the heater from the electric wall outlet.
  2. Remove the fan cover from the back of the heater.
  3. While looking at the back of the heater, notice the notch that is punched in the end of the motor at the 2 o'clock position. This notch is also punched at the other end of the motor in the same position.
  4. Notice the location of the motor brackets, because the motor must be re-installed exactly as you remove it.

5. Remove the three (3) screws that hold the fan motor in place.
6. Slowly pull the motor and fan wheel out from the back of the heater.
7. Look between the fan wheel and the end of the motor and locate the notches referenced above in item 3.
8. Put six (6) drops of oil in the notch at each end of the motor.
9. Replace the motor with the brackets in the same location as they were mounted at the factory.
10. Replace the fan cover on the back of the heater.
11. Plug the heater back into the electric wall outlet.

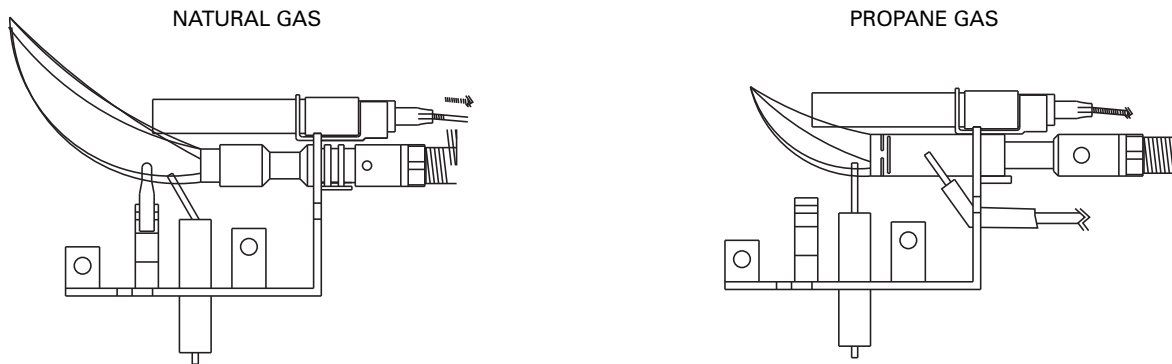


Fig. 5

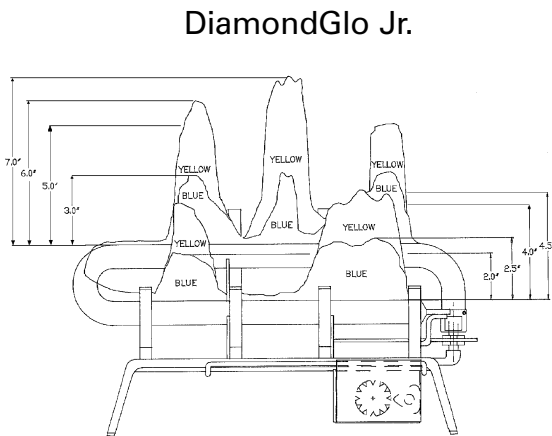


Fig. 6

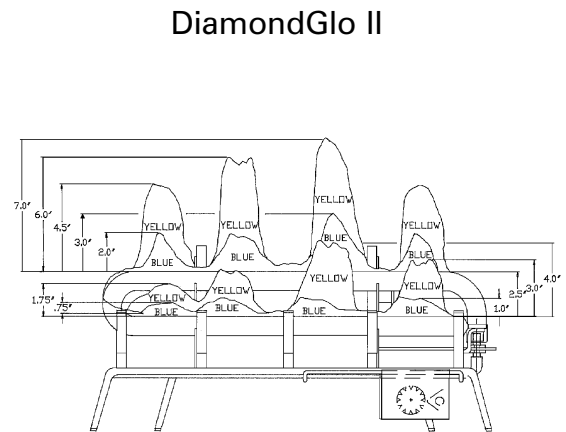
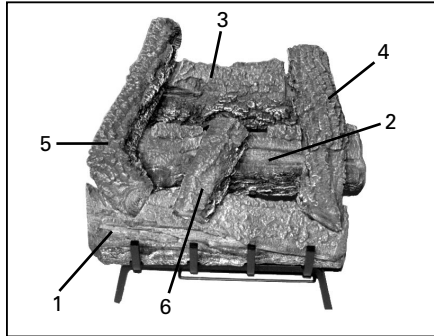


Fig. 7

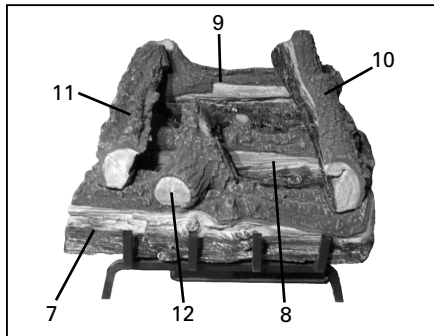
# LOG PLACEMENT PHOTOS



HMDGJR with RO Logs



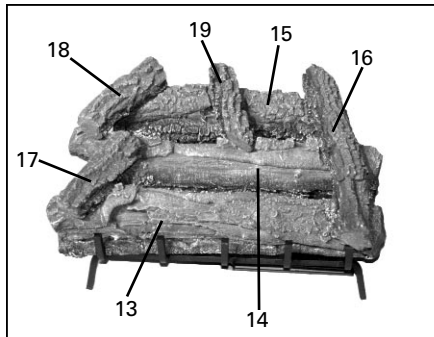
HMDGJR with RO Logs



HMDGJR with SO Logs



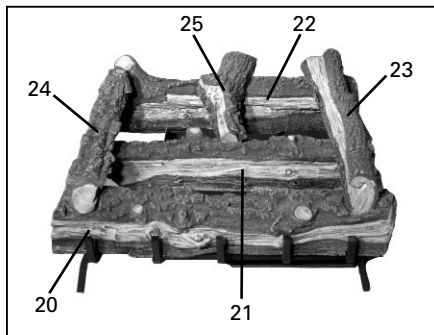
HMDGJR with SO Logs



HMDGII with RO Logs



HMDGII with RO Logs



HMDGII with SO Logs



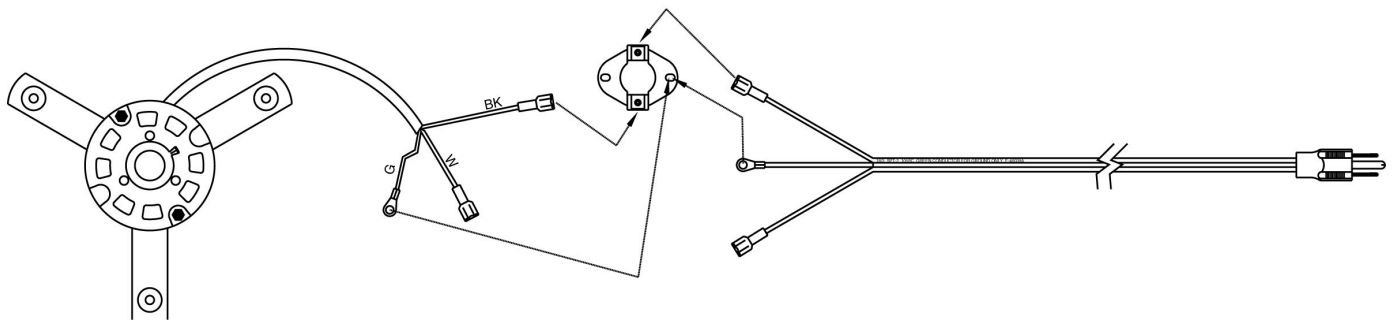
HMDGII with SO Logs

**WARNING:** Failure to position the parts in accordance with these diagrams or failure to use only parts specifically approved with this heater may result in property damage or personal injury.

The logs **MUST** be placed exactly as shown.

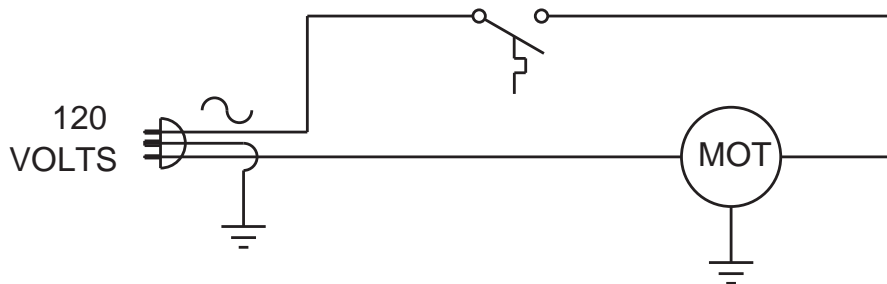
# LOG PARTS LIST

KEY			KEY		
LETTER	PART NO.	DESCRIPTION	LETTER	PART NO.	DESCRIPTION
1	Log # 429	Front Log	13	Log # 426	Front Log
2	Log # 430	Middle Log	14	Log # 427	Middle Log
3	Log # 431	Back Log	15	Log # 428	Back Log
4	Log # 432	Right Log	16	Log # 410	Right Log
5	Log # 444	Left Log	17	Log # 409	Left Bottom Log
6	Log # 409	Middle Top Log	18	Log # 424	Left Top Log
7	Log # 439	Front Log	19	Log # 408	Middle Top Log
8	Log # 440	Middle Log	20	Log # 435	Front Log
9	Log # 441	Back Log	21	Log # 436	Middle Log
10	Log # 416	Right Log	22	Log # 437	Back Log
11	Log # 438	Left Log	23	Log # 416	Right Log
12	Log # 415	Middle Top Log	24	Log # 438	Left Log
			25	Log # 415	Middle Top Log



A connection wiring diagram to aid in locating components.

FIG. 13



A schematic wiring diagram of ladder form.

FIG. 14

**CAUTION:** Label all wires prior to disconnection when servicing controls. Wiring errors can cause improper and dangerous operation.

**Verify proper operation after servicing.**

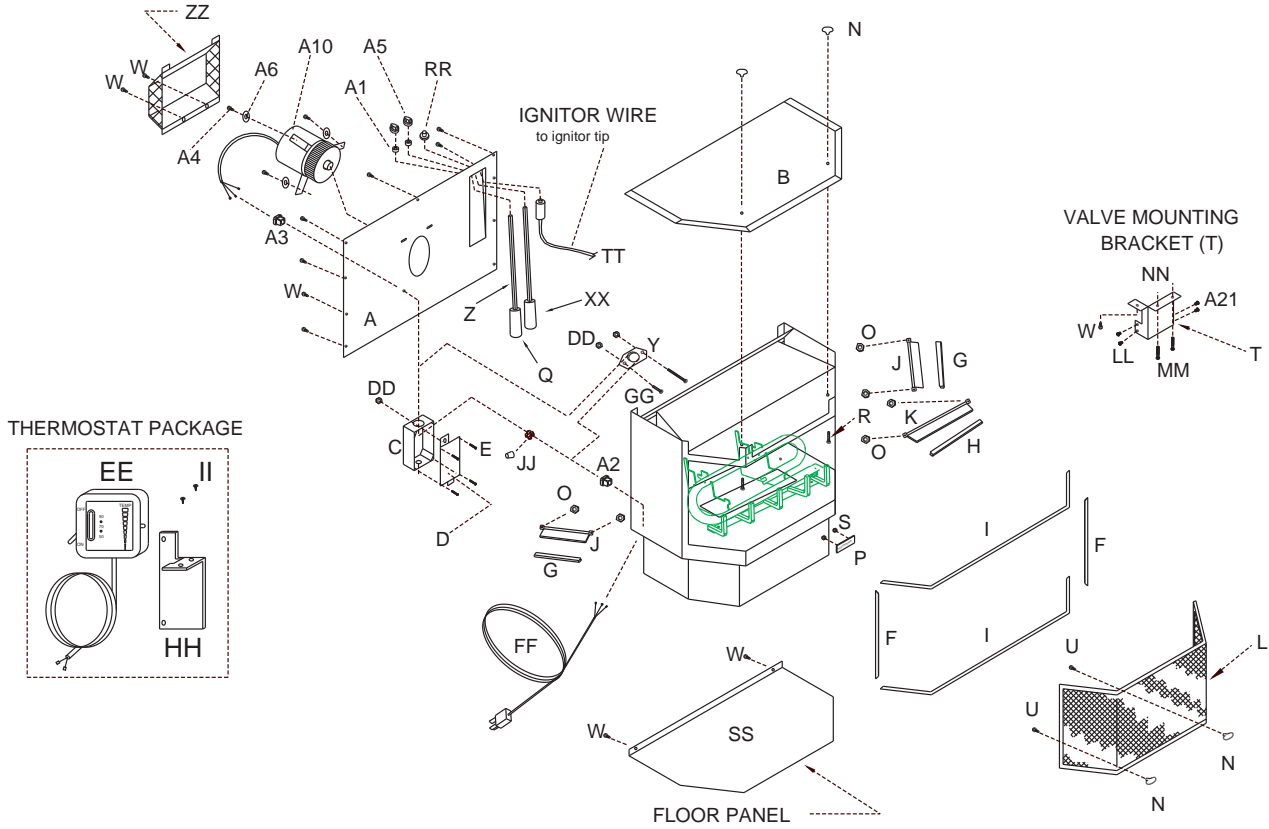
### WARNING

#### Electrical Grounding Instructions

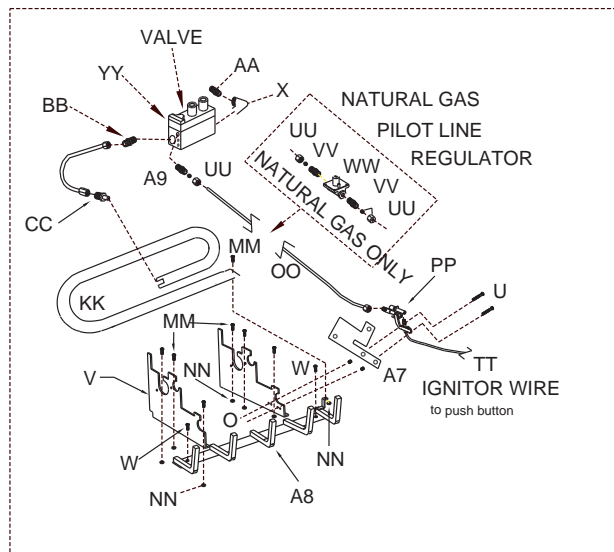
This appliance is equipped with a three-prong (grounding) plug for your protection against shock hazard and should be plugged directly into a properly grounded three-prong receptacle.

If any of the original wire supplied with the appliance must be replaced, it **MUST** be replaced with type SPT-2 wire or its equivalent.

# PARTS DRAWING



## BURNER ASSEMBLY



# PARTS LIST

KEY LETTER	PART NO.	DESCRIPTION	KEY LETTER	PART NO.	DESCRIPTION
A	16-1150	Heater Back - DGII *	AA	01-1004	Brass Fitting 3/8 NPT x 3/8 FL
A	16-1250	Heater Back - DGJr *	BB	11-1036	Orifice
B	11-1136	Heater Top - DGII *	CC	11-1036	Orifice
B	16-1136	Heater Top - DGJr *	DD	11-1505	10-32 Keeps Nut
C	02-1040	Junction Box	EE	16-1530	Thermostat
D	16-1500	Junction Box Cover & Mount	FF	16-1540	120volt AC - Electric Cord
E	07-1013	Junction Box Screw 6-32 x 3/8"	GG	04-1012	10-32 x 1 1/4" Screw
F	11-1412	Brass Trim 3/4" x 17 - DGII	HH	16-1550	Thermostat Bracket
F	16-1400	Brass Trim 3/4" x 12 7/8 - DGJr	II	04-1009	8-32 x 1/2" Pointed Head Phillips Screw
G	11-1410	Brass Trim 3/4" x 8 1/32" - DGII (Side Louver)	JJ	02-1056	Insulated Wire Nut
G	16-1410	Brass Trim 3/4" x 5 3/4" - DGJr (Side Louver)	KK	11-1181	Burner - DGII
H	11-1413	Brass Trim 3/4" x 17 15/16" - DGII (Front Louver)	KK	11-1182	Burner - DGJr
H	16-1415	Brass Trim 3/4" x 13 1/2" - DGJr (Front Louver)	LL	01-1158	10-32 x 1/4" Screw
I	11-1415	Brass Trim 1/2" x 38 1/4" - DGII	MM	01-1080	10-32 x 1/2" Screw
I	16-1420	Brass Trim 1/2" x 29 7/8" - DGJr	NN	01-1095	10-32 Nut
J	11-1138	Side Louver - DGII *	OO	03-1000	Pilot Tubing - LP
J	16-1138	Side Louver - DGJr *	OO	03-1000	Pilot Tubing - Nat
K	11-1139	Front Louver - DGII *	PP	16-1040	ODS Pilot - LP gas # 8404
K	16-1139	Front Louver - DGJr *	PP	16-1045	ODS Pilot - Nat gas # 8214
L	16-1300	Front Screen - DGII	RR	11-1164	Piezo Ignitor
L	16-1350	Front Screen - DGJr	SS	16-1600	Bottom Cover Plate
M	02-1060	8-32 x 3/4" Pointed Phillips Head	TT	16-3600	Piezo Wire - 36"
N	11-1440	Brass Decorative Knob	UU	11-1076	3/16" Nut & Ferrule
O	02-1075	8-32 Keeps Nut	VV	11-1155	3/16" MPT Connector
P	11-1401	Name Plate	WW	11-1150	Pilot Regulator - Nat gas ONLY
Q	16-1032	3" Control Knob Extender HI/LO	XX	16-1031	3" Control Knob Extender
R	11-1450	8-32 x 3" Screws	YY	16-1030	Millivolt Valve - LP gas
S	11-1403	Push-On Nut	YY	16-1035	Millivolt Valve - Nat gas
T	16-1505	Valve Assembly Monuting Bracket	ZZ	16-1560	Fan Cover
U	11-1445	8-32 x 5/16" Screw	A1	11-1460	Rubber Grommet
V	16-1200L	Burner & Log Support - DGII	A2	02-1058	Strain Relief - Small
W	06-1032	#8 x 1/2" Std. Screw	A3	16-1201	Strain Relief - Large
X	07-1020	90deg Street Elbow	A4	Nov-01	8x1 s/drill
Y	11-1395	Thermodisc	A5	14-1202	Control Knob
Z	16-1520	Valve Control Rods ( 1/4" x 1/4" sq.)	A6	11-1465	Flat Washer
			A7	16-1110	Pilot Burner Bracket - LP gas
			A8	16-1510	Grate DGII
			A8	16-1515	Grate DG Jr.
			A9	11-1441	Loxit Nut & Sleeve

Parts may be ordered directly from:

HEATMASTER, INC.  
3625 Benson Road, P.O. Box 1717  
Angier, NC 27501  
(919) 639-4568

When ordering, please include complete part number, part name and description.

\* Specify COLOR - Grey or Almond







## Free Manuals Download Website

<http://myh66.com>

<http://usermanuals.us>

<http://www.somanuals.com>

<http://www.4manuals.cc>

<http://www.manual-lib.com>

<http://www.404manual.com>

<http://www.luxmanual.com>

<http://aubethermostatmanual.com>

Golf course search by state

<http://golfingnear.com>

Email search by domain

<http://emailbydomain.com>

Auto manuals search

<http://auto.somanuals.com>

TV manuals search

<http://tv.somanuals.com>