

MS3780 FusionTM

Omni/Single Line Scanner

User's Guide

Disclaimer

Honeywell International Inc. ("HII") reserves the right to make changes in specifications and other information contained in this document without prior notice, and the reader should in all cases consult HII to determine whether any such changes have been made. The information in this publication does not represent a commitment on the part of HII.

HII shall not be liable for technical or editorial errors or omissions contained herein: nor for incidental or consequential damages resulting from the furnishing, performance, or use of this manual.

This document contains propriety information that is protected by copyright. All rights reserved. No part of this document may be photocopied, reproduced, or translated into another language without the prior written consent of HII.

© 2004 - 2012 Honeywell International Inc. All rights reserved.

Web Address: www.honeywellaidc.com

Trademarks

Metrologic, Quantum, CodeGate, MetroSelect and MetroSet are trademarks or registered trademarks of Metrologic Instruments, Inc. in the United States and/or other countries.

Microsoft, Windows 95, and Windows are registered trademarks of Microsoft Corporation.

IBM is a trademark of International Business Machines Corporation.

Checkpoint is a registered trademark of Checkpoint Systems, Inc.

Other product names mentioned in this manual may be trademarks or registered trademarks of their respective companies and are the property of their respective owners.

Patents

For patent information, please refer to www.honeywellaidc.com/patents.

TABLE OF CONTENTS

Introduction

Product Overview	1
Scanner and Accessories.....	2
Scanner Components.....	4
Caution and Serial Number Labels.....	5
Stand Specifications.....	5
Cable Removal.....	6
Cable Connection Warning.....	6
Maintenance.....	6

Installation

RS232 or Light Pen	7
RS485 or OCIA	8
Keyboard Wedge.....	9
Stand-Alone Keyboard Wedge.....	10
Full Speed or Low Speed USB (Integrated)	11
EAS Deactivation	12

Scanner Operation

The Scan Pattern Mode Select Button	13
How to Use CodeGate and the Manual Activation Mode	14

Indicators

Audible	15
Visual.....	16
Failure	17

Depth of Field Specifications

Normal Scan Zone	18
Reduced Scan Zone.....	19

Depth of Field by Bar Code Element Width

Normal Scan Zone	20
Reduced Scan Zone.....	21

IR Activation Range.....	22
--------------------------	----

TABLE OF CONTENTS

Troubleshooting Guide	23
Design Specifications	27
Applications and Protocols	29
Configuration Modes	30
Upgrading the Firmware	31
Scanner and Cable Terminations	32
Regulatory Compliance	36
Limited Warranty	39
Index.....	41
Customer Support	43
Technical Assistance.....	43
Product Service and Repair.....	43

INTRODUCTION

The MS3780 Fusion™ is a hand-held, omnidirectional bar code scanner with optional single-line scanning capabilities. It utilizes the powerful Honeywell QuantumE scan engine to provide an outstanding scan performance on all standard 1D bar code symbologies, including GS1 DataBar™ (RSS). Designed for retail applications, the Fusion includes additional key product features like:

- Fully Automatic Scanning Operation
- Single-Line Mode for Menu Reading
- Custom Configurable Scan Pattern
- User-Replaceable Single-Cable Interface to Host (PowerLink Compatible)
- User Configurable Depth of Field
- Easy Bar Code Configuration
- Data Editing
- 7 Beeper Tones
- Firmware updates are easily loaded into Flash memory
- OPOS and JPOS System Compatible
- CodeGate™
- Sunrise 2005 Compliant

SCANNER	INTERFACE
MS3780-9	OCIA and RS232 Transmit/Receive
MS3780-11	RS485▲ and Full RS232
MS3780-38	RS232 Low Speed USB*, Keyboard Emulation Mode or USB Serial Emulation Mode
MS3780-40	Full Speed USB
MS3780-41	RS232/Light Pen Emulation
MS3780-47	Keyboard Wedge, Stand-Alone Keyboard and RS232 Transmit/Receive
MS3780-48	Stand Alone Keyboard and RS232 Transmit/Receive
MS3780-120	USB and RS232 Transmit/Receive with EAS

* Configurable for Keyboard Emulation Mode or Serial Emulation Mode.
The default setting is Keyboard Emulation Mode.

▲ Applicable for IBM® Host applications.

Scanner and Accessories


BASIC KIT COMPONENTS	
Part No.	Description
MS3780	Fusion Scanner
00-02269	MS3780 User's Guide *
00-02407	MetroSelect™ Configuration Guide *

* Guides also available for download at www.honeywellaidc.com.

OPTIONAL ACCESSORIES	
Part No.	Description
AC to DC Power Transformer - Regulated 5.2VDC @ 1A output.	
46-00525	90VAC – 255VAC United States, Canada and Japan
46-00526	90VAC – 255VAC Continental European
46-00527	90VAC – 255VAC United Kingdom
46-00528	90VAC – 255VAC Australia
46-00529	90VAC – 255VAC China
46-00530	90VAC – 255VAC India
The following cables are for Fusion models not equipped with EAS.	
53-53000.x-3	RS232 PowerLink Cable with Built in Power Jack coiled cord, long strain relief, black
53-53002.x-3	Keyboard Wedge PowerLink cable with Adapter Cable coiled cord, long strain relief, black
53-53020.x-3	Stand Alone Keyboard PowerLink Cable coiled cord, long strain relief, black
MVC-3MPC-IB9	Voltage Converter Cable, ±12VDC to +5.2VDC For IBM Applications

Other items may be ordered for the specific protocol being used. To order additional items, contact the dealer, distributor or customer service. See page 43 for contact information.

Scanner and Accessories

OPTIONAL ACCESSORIES	
Part No.	Description
MVC-3MNC-N7052	Voltage Converter Cable, ±12VDC to +5.2VDC For OCIA Applications
53-53213.x-N-3	USB Full Speed Cable, Locking Plus-Power™ Type A straight cord, short strain relief
53-53214.x-N-3	USB Full Speed Cable, Locking Plus-Power™ Type A straight cord, short strain relief  This cable is for use with full speed USB (-40) interface only.
53-53235.x-N-3	USB Low Speed Communication Cable, Type A (Non-Locking) Connector straight cord, short strain relief
The following cables are for Fusion models equipped with EAS.	
59-59000.x-E-3	RS232 PowerLink Cable with Built in Power Jack and EAS Connection Wire long strain relief, straight cable, black
59-59006.x-E-3	RS485 [▲] PowerLink Cable with Built in Power Jack and EAS Connection Wire long strain relief, straight cable, black
55-55809.x-N-E-3	USB, Keyed, Type A, EAS Connection Wire Long strain relief, straight cable, black
46-00225	Stand

Other items may be ordered for the specific protocol being used. To order additional items, contact the dealer, distributor or customer service. See page 43 for contact information.

[▲] *Applicable for IBM® Host applications.*

Scanner Components

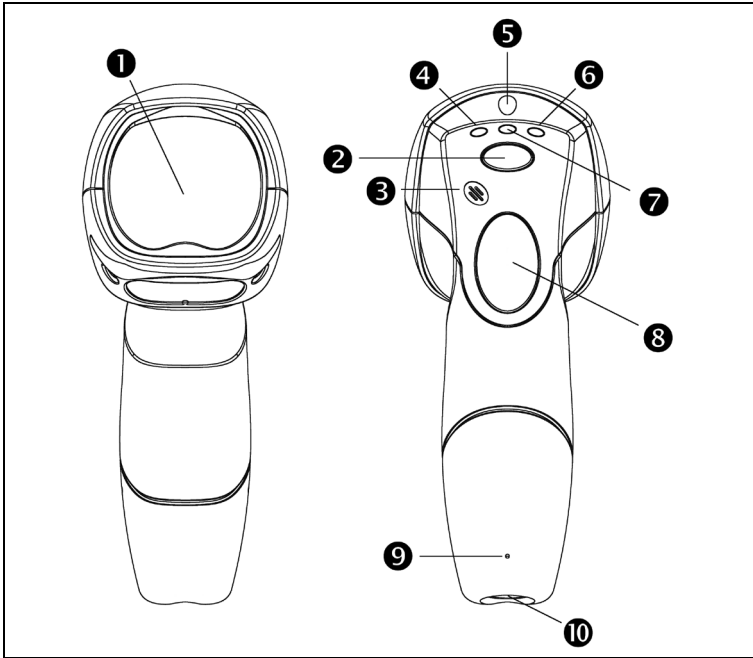


Figure 1. Scanner Components

ITEM NO.	DESCRIPTION
1	Red Output Window, Laser Aperture (See page 36)
2	Mode Select Button (See page 13)
3	Beeper (See page 15)
4	Blue LED, Single-Line Mode / Menu Reading (See page 15)
5	White LED (See page 15)
6	Blue LED, All Scan Lines On / Omnidirectional Reading (See page 15)
7	Amber LED, CodeGate (See page 15)
8	CodeGate Button (See page 14)
9	Pin Hole for Cable Release (See page 6)
10	10-Pin RJ45, Female Socket (See page 32)

INTRODUCTION

Caution and Serial Number Labels

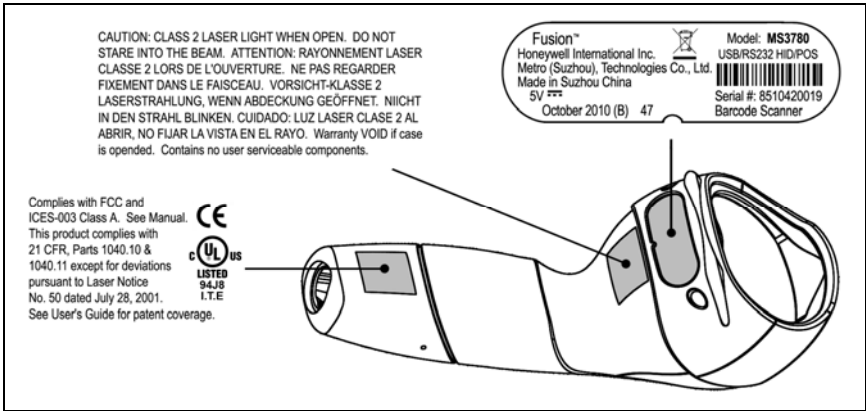


Figure 2. Caution and Serial Number Labels



Caution:

To maintain compliance with applicable standards, all circuits connected to the scanner must meet the requirements for SELV (Safety Extra Low Voltage) according to EN/IEC 60950-1.

To maintain compliance with standard CSA C22.2 No. 60950-1/UL 60950-1 and norm EN/IEC 60950-1, the power source should meet applicable performance requirements for a limited power source.

Stand Specifications

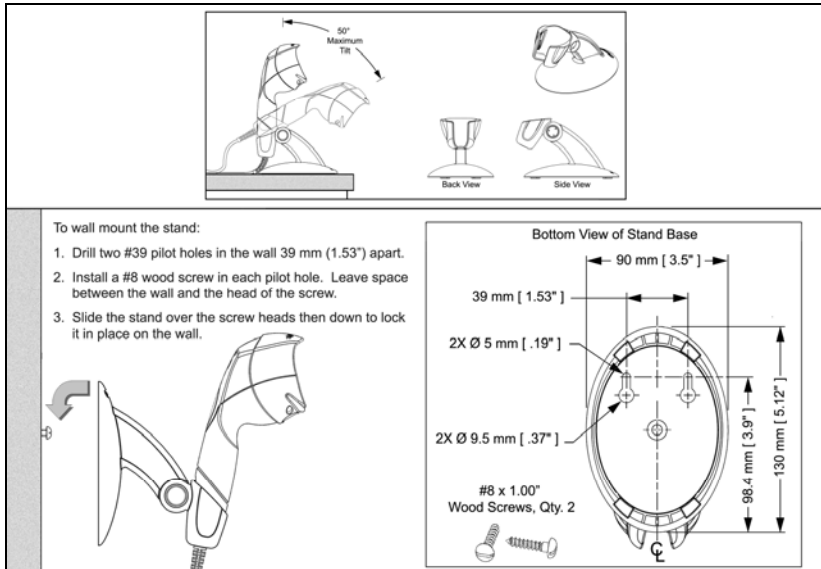


Figure 3. Stand Specifications

Maintenance

Smudges and dirt on the unit's window can interfere with the unit's performance. If the window requires cleaning, use only a mild glass cleaner containing no ammonia. When cleaning the window, spray the cleaner onto a lint free, non-abrasive cleaning cloth then gently wipe the window clean.

If the unit's case requires cleaning, use a mild cleaning agent that does not contain strong oxidizing chemicals. Strong cleaning agents may discolor or damage the unit's exterior.

Cable Removal

Disconnect the power supply from the PowerLink cable and turn off power to the host system before removing the cable from the scanner.

1. Locate the small 'pin-hole' beneath the Fusion logo on the front side of the scanner near the end of the handle.
2. Bend an ordinary paperclip into the shape shown in figure 4.
3. Insert the paperclip (or other small metallic pin) into the small 'pin-hole'. There will be a faint 'click' when the connector's lock releases.
4. Pull gently on the cable's strain-relief to remove the cable.

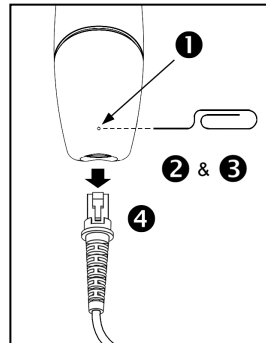


Figure 4.

Cable Connection Warning

i Important: If the PowerLink cable is not fully latched the unit can power intermittently.

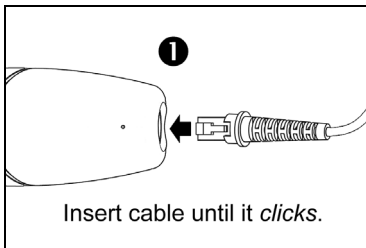


Figure 5.

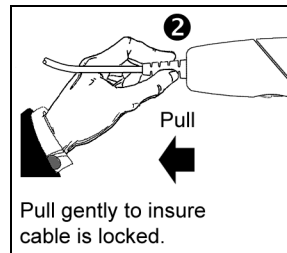


Figure 6.

INSTALLATION

RS232 or Light Pen

1. Turn off the host device.
2. Plug the male 10-pin RJ45 end of the PowerLink cable into the 10-pin socket on the MS3780.
3. Connect the 9-pin female end of the PowerLink cable to the appropriate communication port on the host device.
4. Plug the external power supply into the power jack on the PowerLink cable.



Check the AC input requirements of the power supply to make sure the voltage matches the AC outlet. The outlet must be located near the equipment and be easily accessible.

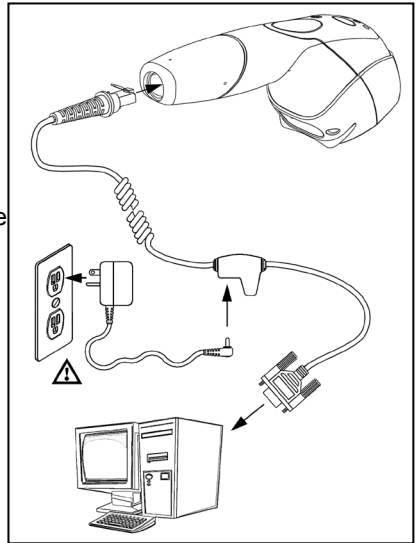


Figure 7.

5. Connect AC power to the transformer.
6. Turn on the host device.



When the scanner first receives power the white LED will flash, one blue LED will turn on and the scanner will emit one beep.



Plugging the scanner into the serial port of the PC does not guarantee that scanned information will appear at the PC. A software driver and correct configuration setting are also required for proper communication to occur.



See Caution statement on page 5.

INSTALLATION

RS485[▲] or OCIA

1. Turn off the host device.
2. Plug the male 10-pin RJ45 end of the MVC cable into the 10-pin socket on the MS3780.
3. For RS485:
Connect the other end of the MVC cable to Port 9 of the host device.

For OCIA:
Connect the other end of the MVC cable to the appropriate communication port on the host device.

4. Turn on the host device.

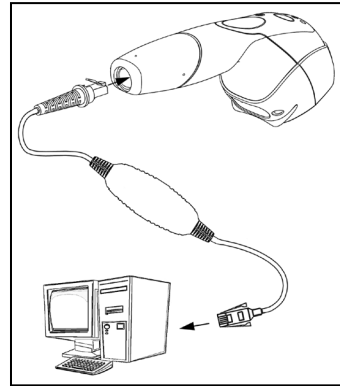
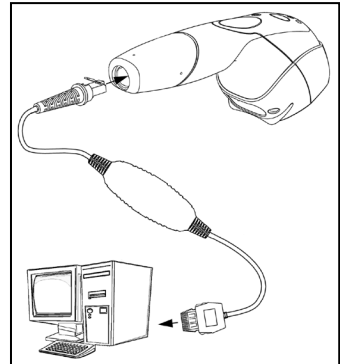


Figure 8. RS485 (above), OCIA (below)



When the scanner first receives power the white LED will flash, one blue LED will turn on and the scanner will emit one beep.



Plugging the scanner into the serial port of the PC does not guarantee that scanned information will appear at the PC. A software driver and correct configuration setting are also required for proper communication to occur.



See Caution statement on page 5.

[▲] Applicable for IBM[®] Host applications.

INSTALLATION

Keyboard Wedge

1. Turn off the host device.
2. Plug the male 10-pin RJ45 end of the PowerLink cable into the 10-pin socket on the MS3780.
3. Disconnect the keyboard from the host device.
4. Connect the "Y" end of the PowerLink cable to the keyboard and the keyboard port on the host PC. If necessary use the male/female adapter cable supplied with the scanner for proper connections.
5. Plug the external power supply into the power jack on the PowerLink cable.



Check the AC input requirements of the power supply to make sure the voltage matches the AC outlet. The outlet must be located near the equipment and be easily accessible.

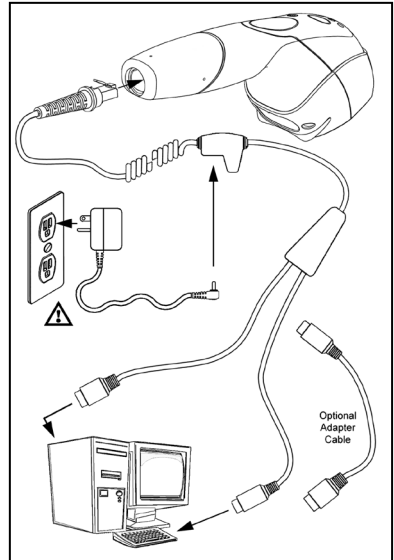


Figure 9.

6. Connect AC power to the transformer.
7. Turn on the host device.



When the scanner first receives power the white LED will flash, one blue LED will turn on and the scanner will emit one beep.



Powering the MS3780 directly from the host device can sometimes cause interference with the operation of the scanner or the computer. Not all computers supply the same current through the keyboard port. For this reason, Honeywell recommends using an external power supply. For additional information contact a customer service representative.



See Caution statement on page 5.

Stand-Alone Keyboard

1. Turn off the host device.
2. Plug the male 10-pin RJ45 end of the PowerLink cable into the 10-pin socket on the MS3780.
3. Connect the other end of the PowerLink cable to the keyboard port on the host device.
4. Plug the external power supply into the power jack on the PowerLink cable.



Check the AC input requirements of the power supply to make sure the voltage matches the AC outlet. The outlet must be located near the equipment and be easily accessible.

5. Connect AC power to the transformer.
6. Turn on the host device.

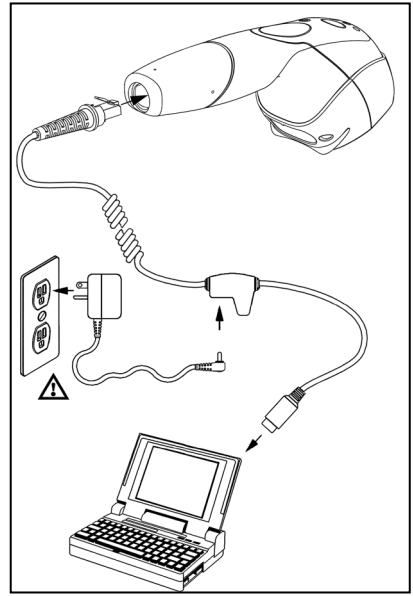


Figure 10.



When the scanner first receives power the white LED will flash, one blue LED will turn on and the scanner will emit one beep.



Powering the MS3780 directly from the host device can sometimes cause interference with the operation of the scanner or the computer. Not all computers supply the same current through the keyboard port. For this reason, Honeywell recommends using an external power supply. For additional information contact a customer service representative.



See Caution statement on page 5.

Full Speed or Low Speed USB (Integrated)

1. Turn off the host device.
2. Plug the male 10-pin RJ45 end of the USB PowerLink cable into the 10-pin socket on the MS3780.
3. Plug the other end of the USB interface cable into the host device's USB port.
4. Turn on the host device.

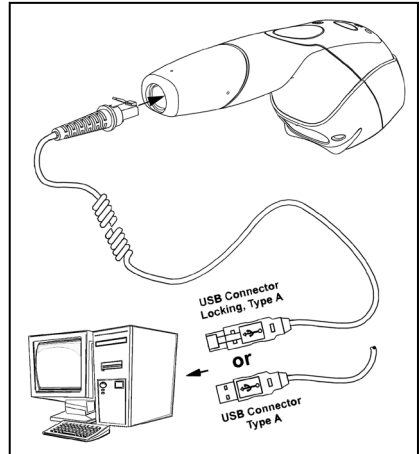


Figure 11.



As a default, the MS3780-38 leaves the factory with USB Keyboard Emulation Mode enabled.

For information on configuring the MS3780-38 for USB Serial Emulation Mode, please refer to the USB: Low Speed section of the MetroSelect Configuration Guide (PN 00-02407).



When the scanner first receives power the white LED will flash, one blue LED will turn on and the scanner will emit one beep.



Plugging the scanner into the USB port of the PC does not guarantee that scanned information will appear at the PC. A software driver and correct configuration setting are also required for proper communication to occur.



See Caution statement on page 5.

INSTALLATION

EAS Deactivation

SW1 and SW2 are the switch banks inside the Checkpoint Device that set the deactivation range. The following is a list of Checkpoint recommended switch bank settings.

Checkpoint Recommended Switch Bank Settings For RS232 and IBM			
SW1		SW2	
Switch 1 and 6	ON	Switch 1 and 6	ON
Switch 2, 3, 4, and 5	OFF	Switch 2, 3, 4, and 5	OFF

Checkpoint Recommended Switch Bank Settings For USB			
SW1		SW2	
Switch 1	ON	Switch 1	ON
Switch 2, 3, 4, 5, and 6	OFF	Switch 2, 3, 4, 5, and 6	OFF

All Fusion models equipped with EAS capabilities have an EAS designation in their model numbers. The cable supplied with these units will have additional wires for connection to the Checkpoint Device.

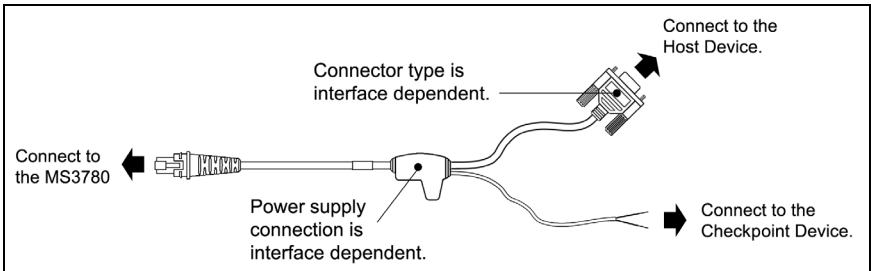


Figure 12. EAS Cable

Figure 13 shows the location of the EAS deactivation area for Fusion.

It is important to pass the entire tag through this area to deactivate the security tag.

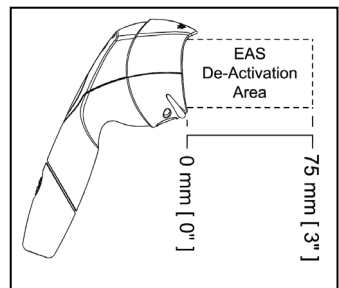


Figure 13. EAS Deactivation Area

The Scan Pattern Mode Select Button

There are two configurable scan pattern modes available with the MS3780.

- The **primary** scan pattern mode is the default scan pattern active when the scanner starts. By default, the primary scan pattern is set to all-scan-lines for omnidirectional reading.
- Pressing the scan pattern mode button (see figure below) activates the **secondary** scan pattern mode. By default, the secondary scan pattern is set to single-line mode for menu reading.



Please refer to the MetroSelect Configuration Guide for information on changing the default scan pattern settings.

To Change Scan Pattern Modes

1. To activate the secondary scan pattern, **press and release** the mode select button.

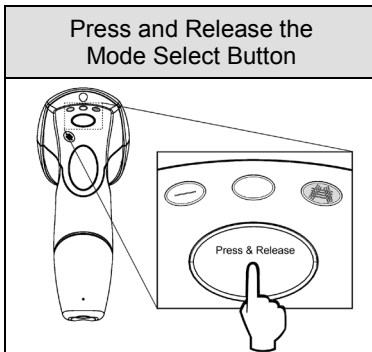


Figure 14.

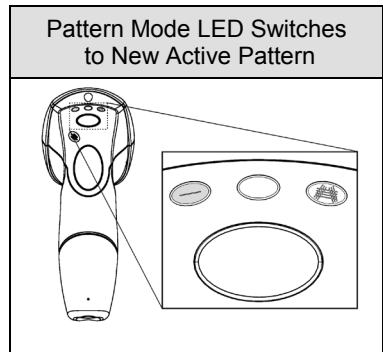


Figure 15.



Activating a pattern mode when the scanner is out of its stand does not change the in-stand pattern mode. When the scanner is returned to the stand it will automatically revert to the most recent scan pattern selected during in-stand operation.

2. To re-activate the primary scan pattern, **press and release** the mode select button again.

How to Use CodeGate and the Manual Activation Mode



For illustration purposes the unit's scan pattern has been set to *single-line (menu reading) mode*.

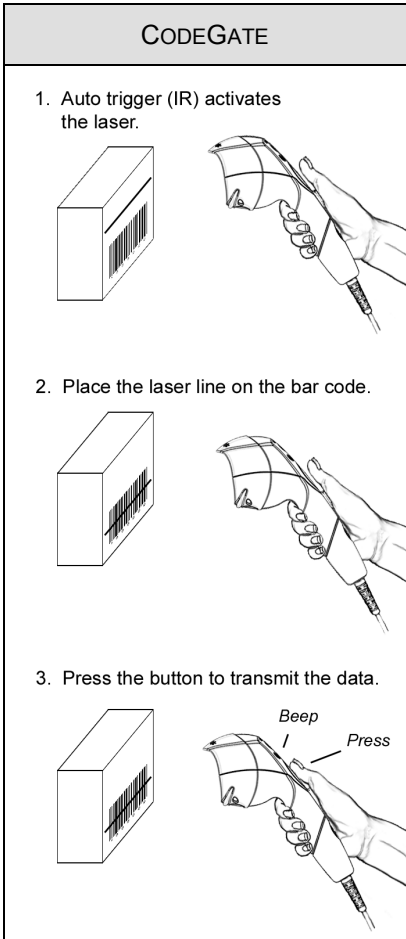


Figure 16.

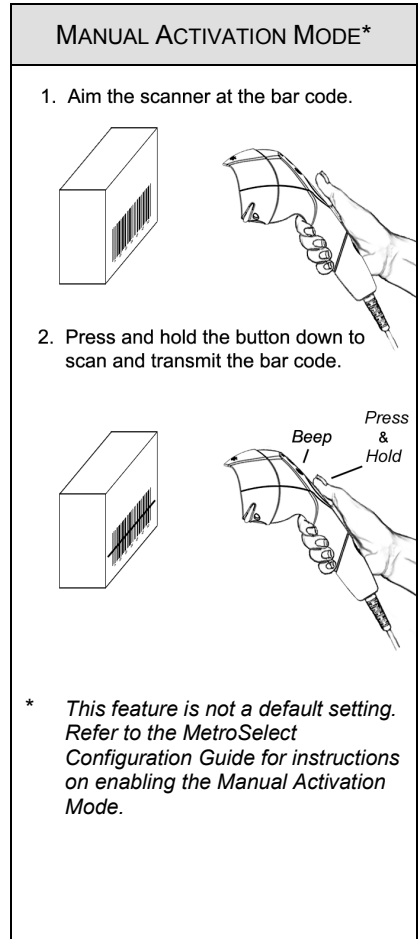


Figure 17.



Factory Defaults: In-Stand, CodeGate is not active (Amber LED is On)
Out-of-Stand, CodeGate is active (Amber LED is Off)

For information on how to change the factory defaults, refer to the MetroSelect Configuration Guide (00-02407).

Audible Indicators

When the MS3780 is in operation, it can provide audible feedback. These sounds indicate the status of the scanner. Eight settings are available for the tone of the beep (normal, six alternate tones and no tone). For instruction on how to change the tone of the beeper, refer to the MetroSelect Configuration Guide (00-02407).



One Beep

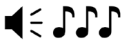
When the scanner *first* receives power; the white LED will flash, one blue LED will turn on and the scanner will emit a beep (*the white LED will remain on for the duration of the beep*). The scanner is now ready to scan.

When the scanner *successfully* reads a bar code, the white LED will flash and the scanner will emit one beep (*if configured to do so*). If the scanner does not emit one beep and the white light does not flash, then the bar code has *not* been successfully read.



Razzberry Tone

This is a failure indicator. Refer to *Failure Mode Indicators* on page 17.



Three Beeps - during operation

When placing the scanner in configuration mode, the white and blue LEDs will flash while the scanner emits three beeps. The white and blue LEDs will continue to flash until the unit exits the configuration mode. Upon exiting the configuration mode, the scanner will emit three beeps and the white LED will stop flashing.

When configured, three beeps can also indicate a communications timeout during normal scanning mode.

When using one-code-programming, the scanner will emit three beeps: the current selected tone, followed by a short pause then a high tone and a low tone. This tells the user that the single code configuration has *successfully* configured the scanner.



Three Beeps - on power up

This is a failure indicator. Refer to *Failure Mode Indicators* on page 17.

Visual Indicators

There are four LEDs located on the top of the MS3780. When the scanner is on, the flashing or constant illumination of the LEDs indicates the status of the current scan and the scanner.

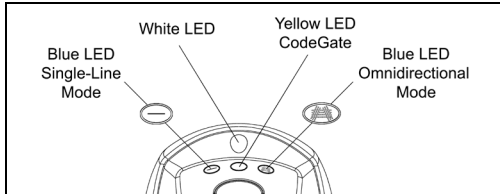


Figure 18. LED Indicators

No LEDs

The LEDs will not be illuminated if the scanner is not receiving power from the host or transformer. They are also not illuminated when all lasers are turned off for any reason.

Steady Blue Single-Line LED

Indicates the laser is active and the scanner is in Single-Line Mode. The blue LED will remain illuminated until the laser is deactivated.

Steady Blue Omni LED

Indicates the laser is active and the scanner is in the Omnidirectional Mode. The blue LED will remain illuminated until the laser is deactivated.

Steady Blue Single-Line or Omni LED and a Single White LED Flash

When the scanner successfully reads a bar code, the white LED will flash and the scanner will beep once. If the white LED does not flash or the scanner does not beep, then the bar code has not been successfully read.

Steady White and Blue Single-Line or Omni LED

After a successful scan, the scanner transmits the data to the host device. Some communication modes require that the host inform the scanner when data is ready to be received. If the host is not ready to accept the information, the scanner's white LED will remain on until the data can be transmitted.

Alternate Flashing of Both Blue LEDs and the White LED

This indicates the scanner is in program mode. A razzberry tone indicates that an invalid bar code has been scanned in this mode.

Steady Amber LED

Indicates that CodeGate is not active (in-stand default).

Failure Mode Indicators

Both Blue LEDs Flashing with One Emitted Razzberry Tone

This indicates that the scanner has experienced a laser subsystem failure. Return the unit to a Honeywell authorized service center for repair.

Both Blue LEDs and the White LED are Flashing with Two Emitted Razzberry Tones

This indicates that the scanner has experienced a motor failure. Return the unit to a Honeywell authorized service center for repair.

Continuous Razzberry Tone with Both LEDs Off - On Power Up

A continuous razzberry tone upon power up indicates there has been an electronic failure. Return the unit to a Honeywell authorized service center for repair.

Three Beeps - On Power Up

This indicates that the nonvolatile memory that holds the scanner configuration has failed. Return the unit to a Honeywell authorized service center for repair.

Depth of Field Specifications*

Normal Scan Zone

Specifications are based on a 0.33 mm (13 mil) bar code.

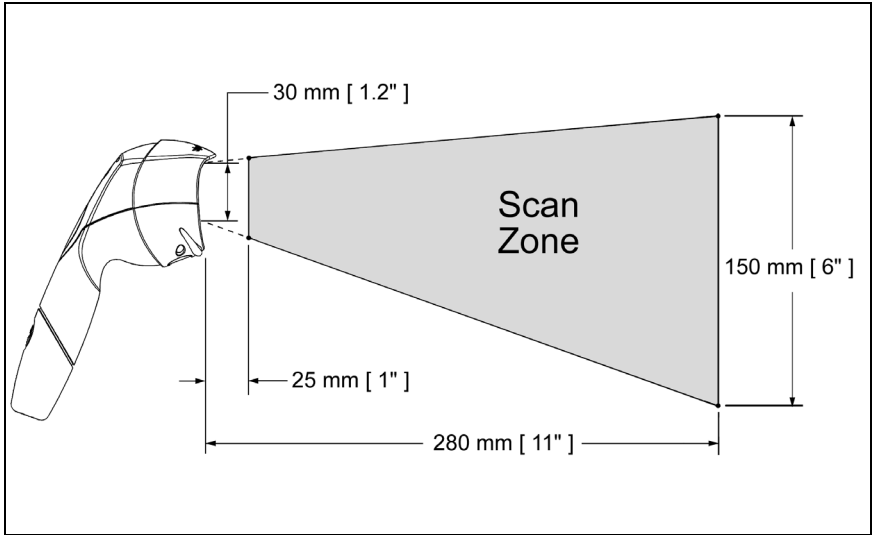


Figure 19. Normal Depth of Field

* All specifications are subject to change without notice.

Depth of Field Specifications*

Reduced Scan Zone

Specifications are based on a 0.33 mm (13 mil) bar code.

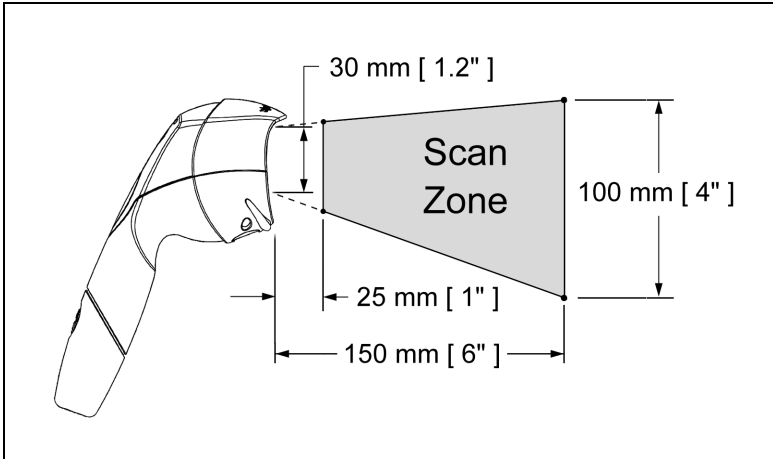


Figure 20. Reduced Depth of Field

* All specifications are subject to change without notice.

Depth of Field by Bar Code Element Width*

Normal Scan Zone

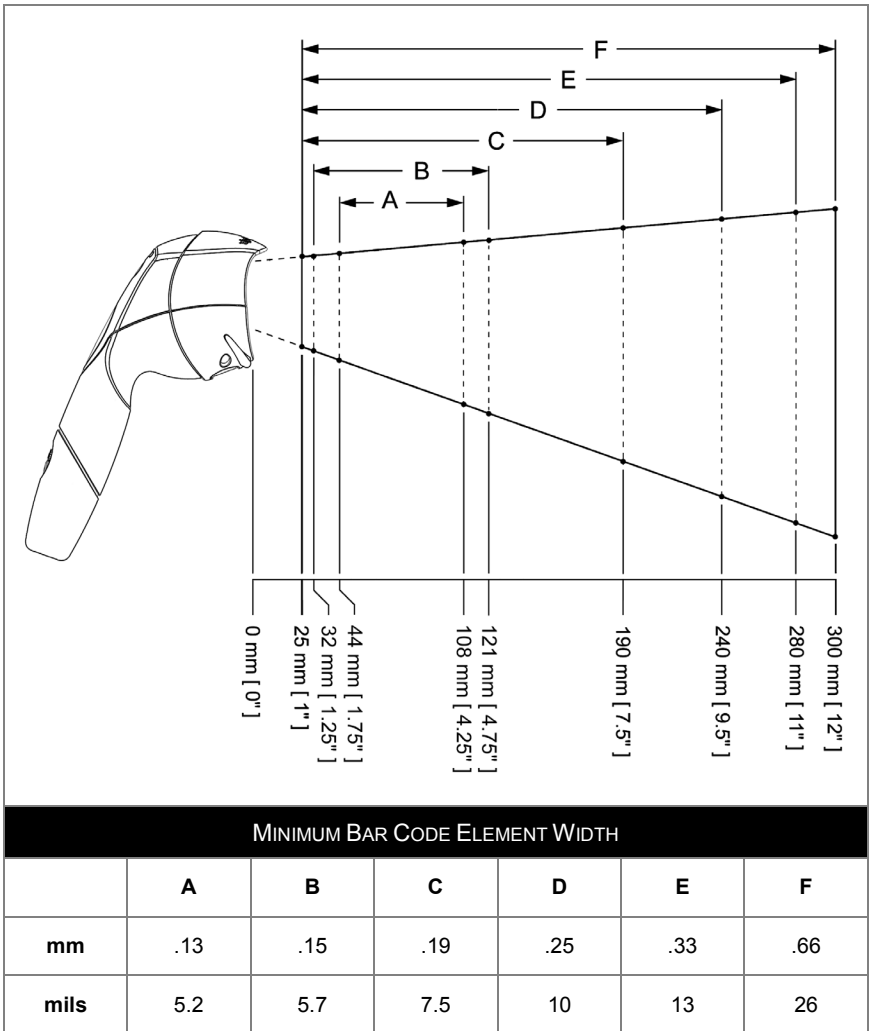


Figure 21. Normal Scan Zone by Bar Code Element Width

* All specifications are subject to change without notice.

Depth of Field by Bar Code Element Width*

Reduced Scan Zone

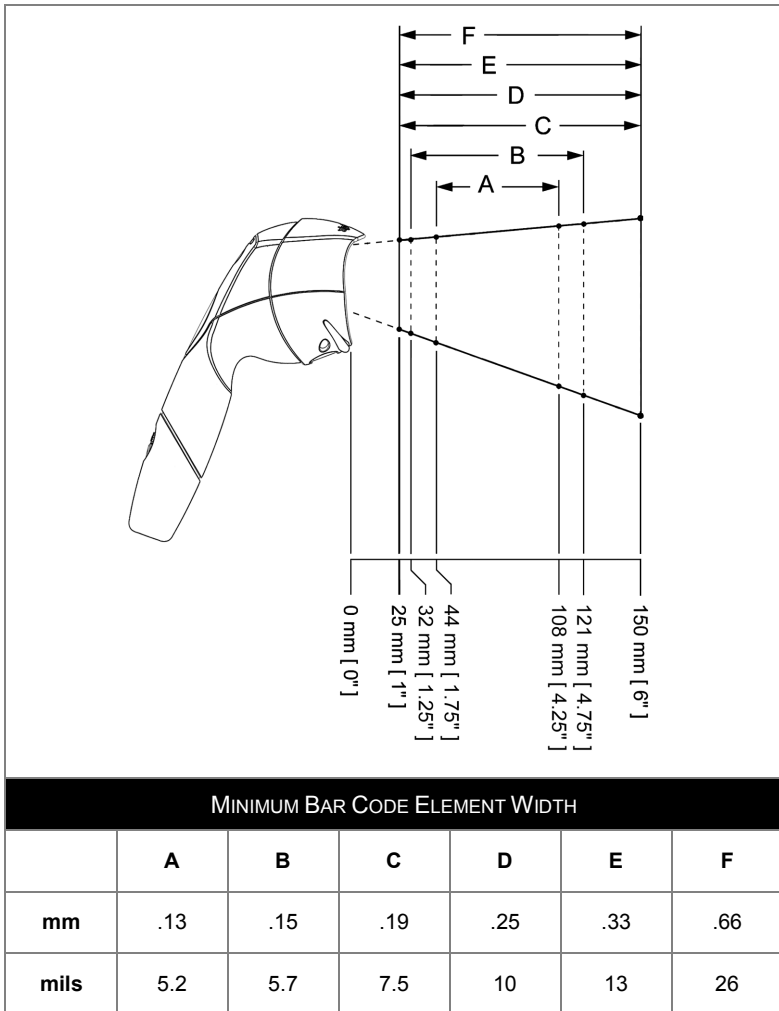


Figure 22. Reduced Scan Zone by Bar Code Element Width

* All specifications are subject to change without notice.

IR Activation Range*

Fusion's default power save mode[†] is *Laser Off then Motor Off Delayed*. This power save mode turns the laser off after five minutes of non-use. The motor will turn off after twenty-five minutes of non-use. Any movement detected by the IR in the activation area will cause the scanner to exit power save mode. The laser and motor will automatically turn back on preparing the scanner for bar code recognition, decoding and transmission.

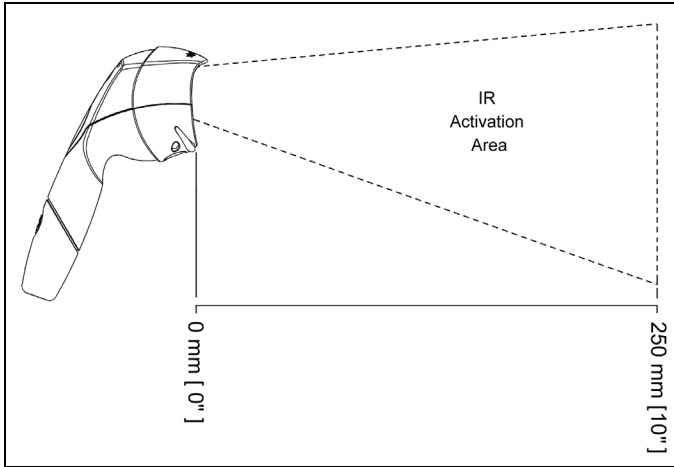


Figure 23. Normal IR Activation Range

* All specifications are subject to change without notice.

[†] Refer to the MetroSelect Configuration Guide (PN 00-02407) for additional information on configurable power save modes.

TROUBLESHOOTING GUIDE

The following guide is for reference purposes only. Contact a Honeywell representative at to preserve the limited warranty terms on page 39.

Symptoms	Possible Cause(s)	Solution
<i>All Interfaces</i>		
The unit has no LEDs, beeper or motor spin.	No power is being supplied to the scanner.	Check the transformer, outlet and power strip. Make sure the cable is plugged into the scanner.
The unit has no LEDs and / or beeper.	No power is being supplied to the scanner from host.	Some host systems cannot supply enough current to power the MS3780. Use the power supply included with the scanner.
There are multiple scans upon presentation of code.	The same symbol timeout is set too short.	Adjust the same symbol timeout for a longer time increment.
The unit powers up but does not beep.	The beeper is disabled.	Enable the beeper.
	No tone is selected.	Select a tone.
The unit powers up but does not scan and/or beep.	The unit is trying to scan a particular symbology that is not enabled.	UPC/EAN, Code 39, Interleaved 2 of 5, Code 93, Code 128 and Codabar are enabled by default. Verify that the type of bar code being read has been selected
	The scanner has been configured for a character length lock, or a minimum length and bar code being scanned does not satisfy the configured criteria.	Verify that the bar code that is being scanned falls into the criteria. <i>Typical of Non-UPC/EAN codes. The scanner defaults to a minimum of 4 character bar code.</i>

TROUBLESHOOTING GUIDE

Symptoms	Possible Cause(s)	Solution
<i>All Interfaces</i>		
The unit scans a bar code, but locks up after the first scan (<i>the white LED stays on</i>).	The scanner is configured to support some form of host handshaking but is not receiving the signal.	If the scanner is setup to support ACK/NAK, RTS/CTS, XON/XOFF or D/E, verify that the host cable and host are supporting the handshaking properly.
The unit scans but the data transmitted to the host is incorrect.	The scanner's data format does not match the host system requirements.	Verify that the scanner's data format matches the format required by the host. Make sure that the scanner is connected to the proper host port.
Scanner beeps at some bar codes and NOT for others of the same bar code symbology.	The bar code may have been printed incorrectly.	Check if it is a check digit, character or border problem.
	The scanner is not configured correctly for the type of bar code.	Check if check digits are set properly.
	The minimum symbol length setting does not work with the bar code.	Check if the correct minimum symbol length is set.

TROUBLESHOOTING GUIDE

Symptoms	Possible Cause(s)	Solution
<i>All Interfaces</i>		
During power up the unit beeps 3 times.	There is a non-volatile RAM failure.	Contact a service representative.
During power up the unit razzes continuously.	There has been a diagnostic failure.	Contact a service representative.
During power up the unit razzes once and the blue LED flashes.	There is a VLD failure.	Contact a service representative.
During power up the unit razzes twice and both LEDs flash.	There is a scanner motor failure.	Contact a service representative.
<i>RS232 Only</i>		
The unit powers up OK and scans OK but does not communicate properly to the host.	The com port at the host is not working or is not configured properly.	Check to make sure that the baud rate and parity of the scanner and the communication port match and that the program is looking for RS232 data.
	The cable is not connected to the proper com port.	
	The com port is not operating properly.	

TROUBLESHOOTING GUIDE

Symptoms	Possible Cause(s)	Solution
<i>RS232 Only</i>		
The host is receiving data but the data does not look correct.	The scanner and host may not be configured for the same interface.	Check that the scanner and the host are configured for the same interface.
Characters are being dropped.	The intercharacter delay needs to be added to the transmitted output.	Add some intercharacter delay to the transmitted output by using the MetroSelect Configuration Guide (PN 00-02407).
<i>Keyboard Wedge Only</i>		
The unit scans the bar code but there is no data.	The unit may not be configured correctly.	Make sure the scanner is configured for the appropriate mode.
The unit scans but the data is not correct.	The unit may not be configured correctly.	Make sure that the proper PC type (ie. AT, PS2 or XT) is selected.
		Verify correct country code and data formatting are selected.
		Adjust the intercharacter delay.
The unit is not transmitting each character.	The unit may not be configured correctly.	Increase the interscan code delay setting. Adjust whether the F0 break is transmitted. It may be necessary to try both settings.
Alpha characters show as lower case.	The computer is in caps lock mode.	Enable <i>caps lock detect</i> setting of the scanner to detect whether the PC is operating in caps lock.
Everything works except for a couple of characters.	These characters may not be supported by the current country's key look up table.	Try operating the scanner in <i>Alt Mode</i> .

DESIGN SPECIFICATIONS

		MS3780	
Operational			
Normal Depth of Field:	25 mm - 280 mm (1" - 11")	0.33 mm (13 mil) bar code	
Reduced Depth of Field:	25 mm - 150 mm (1" - 6")		
<i>Omni Scan</i>			
	Scan Speed:	1333 scan lines per second	
	No. of Scan Lines:	20	
<i>Single-Line</i>			
	Scan Speed:	67 scan lines per second	
	No. of Scan Lines:	1	
	Motor Speed:	4000 RPM	
	Min Bar Width:	0.127 mm (5.0 mil)	
	Decode Capability:	All standard 1-D bar codes including RSS-14, RSS-Expanded, and RSS-14 Limited	
	System Interfaces:	RS232, Keyboard Wedge, Stand-Alone Keyboard, Light Pen Emulation, RS485, USB (low speed and full speed), OCIA	
	Print Contrast:	35% minimum reflectance difference	
	No. Characters Read:	Up to 80 data characters Maximum number will vary based on symbology and density.	
	Beeper Operation:	7 tones or no beep	
	Indicators (LED):	Blue = laser on, ready to scan	
		White = good read, decoding	
	Termination:	10 position modular RJ45 connector	
	Cable:	Application Dependent	
<i>Embedded Laser</i>			
	Max Optical Power:	10 mW	
	Wavelength:	640 – 660 nm	
	Min Beam Divergence:	6°	
Mechanical			
	Scanner Length:	189 mm (7.44")	
	Scanner Width:	65 mm (2.56")	
	Scanner Height:	73 mm (2.88")	
	Scanner Weight:	195 g (6.9 oz.)	

Specifications subject to change without notice.

DESIGN SPECIFICATIONS

	MS3780
Electrical	
Voltage Supply:	5VDC \pm 0.25V
Operating Power:	1.375 W
Standby Power:	1.0 W
Operating Current:	275 mA typical at 5VDC
Standby Current:	200 mA typical at 5VDC
DC Transformers:	Class II; 5.2VDC @ 1A
<i>For regulatory compliance information, see pages 36 - 38.</i>	
Environmental	
Operating Temperature:	-20°C to 40°C (-4°F to 104°F)
Storage Temperature:	-40°C to 60°C (-40°F to 140°F)
Humidity:	5% to 95% relative humidity, non-condensing
Contaminants:	Sealed to resist airborne particulate contaminants
Ventilation:	None required
Shock:	Withstands multiple drops from 1.5 meters

Specifications subject to change without notice.

APPLICATIONS AND PROTOCOLS

The model number on each scanner includes the scanner number and factory default communications protocol.

SCANNER	VERSION IDENTIFIER	INTERFACE
MS3780	9	OCIA and RS232 Transmit/Receive
	11	RS485 [▲] and Full RS232
	38	RS232 Low Speed USB*, Keyboard Emulation or USB Serial Emulation Mode
	40	Full Speed USB
	41	RS232/Light Pen Emulation
	47	Keyboard Wedge, Stand-Alone Keyboard and RS232 Transmit/Receive
	48	Stand Alone Keyboard and RS232 Transmit/Receive
	120	USB and RS232 Transmit/Receive with EAS

[▲] Applicable for IBM[®] Host applications.

The MS3780 scanner with Built-in PC Keyboard Wedge Interface is designed to be used for keyboard emulation only. Many RS232 configurable functions (e.g. formatting) available in other Honeywell scanners are also available as keyboard wedge functions.

The following are the most important selectable options specific to the keyboard wedge.

Keyboard Type

- ** AT (includes IBM[®] PS2 models 50, 55, 60, 80)
- IBM PS2 (includes models 30, 70, 8556)

Keyboard Country Type

- USA **
- Belgium
- French
- German
- Hungarian
- Italian
- Japanese
- Russian Cyrillic
- Slovenian
- Spanish
- Swiss
- Swedish/Finnish
- Turkish
- United Kingdom

** Default setting. Refer to the MetroSelect Configuration Guide (PN 00-02407) or MetroSet2's help files for information on how to change the default settings.

The MS3780 Series scanner has three modes of configuration.

- **Bar Codes**

The MS3780 can be configured by scanning the bar codes included in the Single-Line Configuration Guide or the Supplemental Configuration Guide. The manuals are available for download at www.honeywellaidc.com.

- **MetroSet2**

This user-friendly Windows[®]-based configuration program allows you to simply 'point-and-click' at the desired imager options. MetroSet2 is available for download at www.honeywellaidc.com.

- **Serial Programming**

This mode of configuration is ideal for OEM applications. Serial programming mode gives the end-user the ability to send a series of commands using the serial port of the host system. The commands are equivalent to the numerical values of the bar codes located in the MetroSelect Single-Line Configuration Guide.

UPGRADING THE FIRMWARE

The MS3780 Fusion is part of Honeywell's line of scanners with flash upgradeable firmware. The upgrade process requires a new firmware file supplied to the customer by a customer service representative♦ and Honeywell's MetroSet2 software♦♦. A personal computer running Windows 95 or greater with an available RS232 serial or USB port is also required to complete the upgrade.



PowerLink Cable #54-54014 is required when using RS232 for the upgrade process. **Do not** use the standard cable supplied with keyboard wedge or RS485 scanner interface kits. If using USB for the upgrade process, the standard USB Type A cable provided with the scanner can be used.

To upgrade the firmware in the MS3780:

1. Plug the scanner into a serial communication port on the host system.
2. Start the MetroSet2 software.
3. Click on the plus sign (+) next to *POS Scanners* to expand the supported scanner list.
4. Choose the *Fusion* from the list.
5. Click on the Configure *Fusion/3780 Scanner* button.
6. Choose *Flash Utility* from the options list located on the left side of the screen.
7. Click on the *Open File* button in the Flash Utility window.
8. Locate and open the flash upgrade file supplied by Honeywell.
9. Select the COM port that the scanner is connected to on the host system.
10. Verify the settings listed in the Flash Utility window.
11. Click on the *Flash Scanner* button to begin the flash upgrade.
12. A message will appear on the screen when the upgrade is complete.

- ♦ See Contact Information on page 43.
- ♦♦ MetroSet2 is available for download, at no additional cost, from www.honeywellaidc.com.

Scanner Pinout Connections

The MS3780 scanner interfaces terminate to a 10-pin modular socket. The serial number label indicates the interface enabled when the scanner is shipped from the factory.

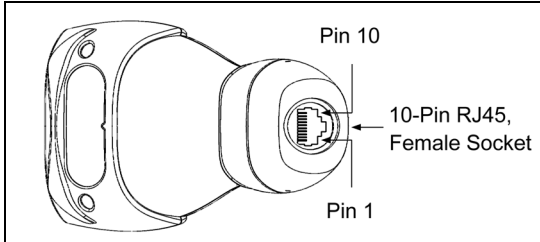


Figure 24.

MS3780-47 Keyboard Wedge and Stand-Alone Keyboard	
Pin	Function
1	Ground
2	RS232 Transmit Output
3	RS232 Receive Input
4	PC Data
5	PC Clock
6	KB Clock
7	PC +5V
8	KB Data
9	+5VDC
10	Shield Ground

MS3780-41 RS232 and Light Pen Emulation	
Pin	Function
1	Ground
2	RS232 Transmit Output
3	RS232 Receive Input
4	RTS Output
5	CTS Input
6	DTR Input/LTPN Source
7	Reserved
8	LTPN Data
9	+5VDC
10	Shield Ground

MS3780-40 Full Speed USB	
Pin	Function
1	Ground/USB-
2	RS232 Transmit Output
3	RS232 Receive Input
4	RTS Output
5	CTS Input
6	D+
7	USB +V
8	D-
9	+5VDC
10	Shield Ground

MS3780-38 RS232 Low Speed USB	
Pin	Function
1	Ground/USB-
2	RS232 Transmit Output
3	RS232 Receive Input
4	RTS Output
5	CTS Input
6	D+
7	USB +V
8	D-
9	+5VDC
10	Shield Ground

Continued on next page.

SCANNER AND CABLE TERMINATIONS

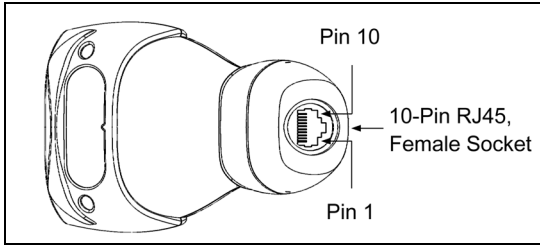


Figure 25.

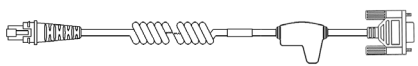
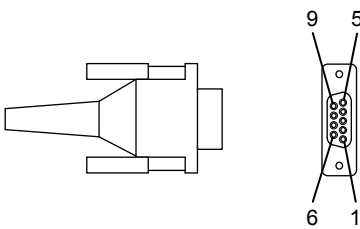
MS3780-11 RS485 [▲]	
Pin	Function
1	Ground
2	RS232 Transmit Output
3	RS232 Receive Input
4	RTS Output
5	CTS Input
6	DTR Input
7	IBM B-Transmit
8	IBM A+ Receive
9	+5VDC
10	Shield Ground


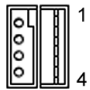
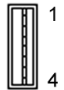
MS3780-9 OCIA	
Pin	Function
1	Ground
2	RS232 Transmit Output
3	RS232 Receive Input
4	RDATA
5	RDATA Return
6	Clock In
7	Clock Out
8	Clock in Return/ Clock out Rtrn
9	+5VDC
10	Shield Ground

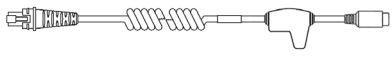
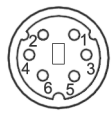
MS3780-120 USB and RS232 with EAS	
Pin	Function
1	Ground
2	RS232 Transmit Output
3	RS232 Receive Input
4	EAS -
5	EAS +
6	USB D+
7	USB +V
8	USB D-
9	+5VDC
10	Shield Ground

[▲] Applicable for IBM® Host applications.



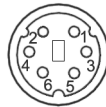
Cable Connector Configurations (Host End)

RS232 PowerLink Cable 53-53000x-3		
Pin	Function	 <p>9-Pin D-Type Connector</p>
1	Shield Ground	
2	RS232 Transmit Output	
3	RS232 Receive Input	
4	DTR Input/Light Pen Source	
5	Power/Signal Ground	
6	Light Pen Data	
7	CTS Input	
8	RTS Output	
9	+5VDC	

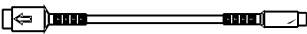

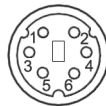
USB Power/Communication Cable 53-53213x-N-3, 53-530214x-N-3 or 53-53235x-N-3		
Pin	Function	 <p>USB Type A Locking with Power</p>
1	PC +5V/V_USB	
2	D-	
3	D+	
4	Ground	
Shield	Shield	
		 <p>USB Non-Locking</p>

Stand Alone Keyboard PowerLink Cable 53-53020x-3		
Pin	Function	 <p>6-Pin Male Mini-DIN Connector</p>
1	PC Data	
2	No Connect	
3	Power Ground	
4	+5VDC PC Power to KB	
5	PC Clock	
6	No Connect	

Cable Connector Configurations (Host End)

Keyboard Wedge PowerLink Cable 53-53002x-3		
Pin	Function	 <p>5-Pin DIN, Female</p>
1	Keyboard Clock	
2	Keyboard Data	
3	No Connect	
4	Power Ground	
5	+5 Volts DC	 <p>6-Pin DIN, Male</p>
Pin	Function	
1	PC Data	
2	No Connect	
3	Power Ground	
4	+5 Volts DC	
5	PC Clock	
6	No Connect	

Honeywell will supply an adapter cable with a 5-pin DIN male connector on one end and a 6-pin mini DIN female connector on the other. According to the termination required, connect the appropriate end of the adapter cable to the PowerLink cable, leaving the necessary termination exposed for connecting to the keyboard and the keyboard port on the PC.

Keyboard Wedge Adapter Cable		
Pin	Function	 <p>5-Pin DIN, Male</p>
1	PC Clock	
2	PC Data	
3	No Connect	
4	Power Ground	
5	+5 Volts DC	 <p>6-pin Mini DIN, Female</p>
Pin	Function	
1	Keyboard Data	
2	No Connect	
3	Power Ground	
4	+5 Volts DC	
5	Keyboard Clock	
6	No Connect	

Safety

ITE Equipment

IEC 60950-1 Second Edition,
EN 60950-1 Second Edition

Laser

Laser Class 1: IEC 60825-1:Second Edition, 2007,
EN 60825-1:Second Edition, 2007



Complies with 21 CFR 1040.10 and 1040.11 except for deviations pursuant to Laser Notice No. 50, dated June 24, 2007.

LED

IEC 62471: Exempt Risk Group

Caution

Use of controls or adjustments or performance of procedures other than those specified herein may result in hazardous laser light exposure. Under no circumstances should the customer attempt to service the laser scanner. Never attempt to look at the laser beam, even if the scanner appears to be nonfunctional. Never open the scanner in an attempt to look into the device. Doing so could result in hazardous laser light exposure. The use of optical instruments with the laser equipment will increase eye hazard.

Atención

La modificación de los procedimientos, o la utilización de controles o ajustes distintos de los especificados aquí, pueden provocar una luz de láser peligrosa. Bajo ninguna circunstancia el usuario deberá realizar el mantenimiento del láser del escáner. Ni intentar mirar al haz del láser incluso cuando este no esté operativo. Tampoco deberá abrir el escáner para examinar el aparato. El hacerlo puede conllevar una exposición peligrosa a la luz de láser. El uso de instrumentos ópticos con el equipo láser puede incrementar el riesgo para la vista.

Attention

L'emploi de commandes, réglages ou procédés autres que ceux décrits ici peut entraîner de graves irradiations. Le client ne doit en aucun cas essayer d'entretenir lui-même le scanner ou le laser. Ne regardez jamais directement le rayon laser, même si vous croyez que le scanner est inactif. N'ouvrez jamais le scanner pour regarder dans l'appareil. Ce faisant, vous vous exposez à une rayonnement laser qui est dangereux. L'emploi d'appareils optiques avec cet équipement laser augmente le risque d'endommagement de la vision.

Achtung

Die Verwendung anderer als der hier beschriebenen Steuerungen, Einstellungen oder Verfahren kann eine gefährliche Laserstrahlung hervorrufen. Der Kunde sollte unter keinen Umständen versuchen, den Laser-Scanner selbst zu warten. Sehen Sie niemals in den Laserstrahl, selbst wenn Sie glauben, daß der Scanner nicht aktiv ist. Öffnen Sie niemals den Scanner, um in das Gerät hineinzusehen. Wenn Sie dies tun, können Sie sich einer gefährlichen Laserstrahlung aussetzen. Der Einsatz optischer Geräte mit dieser Laserausrüstung erhöht das Risiko einer Sehschädigung.

Attenzione

L'utilizzo di sistemi di controllo, di regolazioni o di procedimenti diversi da quelli descritti nel presente Manuale può provocare delle esposizioni a raggi laser rischiose. Il cliente non deve assolutamente tentare di riparare egli stesso lo scanner laser. Non guardate mai il raggio laser, anche se credete che lo scanner non sia attivo. Non aprite mai lo scanner per guardare dentro l'apparecchio. Facendolo potete esporvi ad una esposizione laser rischiosa. L'uso di apparecchi ottici, equipaggiati con raggi laser, aumenta il rischio di danni alla vista.

EMC

Emissions

FCC Part 15, ICES-003, CISPR 22, EN 55022

Immunity

CISPR 24, EN 55024

NOTE: Immunity performance is not guaranteed for scanner cables greater than 3 meters in length when fully extended.

Changes or modifications not expressly approved by the party responsible for compliance could void the user's authority to operate the equipment.

Class A Devices

The following is applicable when the scanner cable is greater in length than 3 meters (9.8 feet) when fully extended:

Les instructions ci-dessous s'appliquent aux cables de scanner dépassant 3 mètres (9.8 pieds) de long en extension maximale:

Folgendes trifft zu, wenn das Scannerkabel länger als 3 Meter ist:

This equipment has been tested and found to comply with limits for a Class A digital device, pursuant to part 15 of the FCC Rules. These limits are designed to provide reasonable protection against harmful interference when the equipment is operated in a commercial environment. This equipment generates, uses and can radiate radio frequency energy and, if not installed and used in accordance with the instruction manual, may cause harmful interference to radio communications. Operation of this equipment in a residential area is likely to cause harmful interference, in which case the user will be required to correct the interference at their own expense. Any unauthorized changes or modifications to this equipment could void the user's authority to operate this device.

This device complies with part 15 of the FCC Rules. Operation is subject to the following two conditions: (1) This device may not cause harmful interference, and (2) this device must accept any interference received, including interference that may cause undesired operation.

Notice

This Class A digital apparatus complies with Canadian ICES-003.

Remarque

Cet appareil numérique de classe A est conforme à la norme canadienne NMB-003.

Warning

This is a class A product. In a domestic environment this product may cause radio interference in which case the user may be required to take adequate measures.

EMC

Changes or modifications not expressly approved by the party responsible for compliance could void the user's authority to operate the equipment.

Warnung!

Dies ist eine Einrichtung der Klasse A. Diese Einrichtung kann im Wohnbereich Funkstörungen verursachen. In diesem Fall kann vom Betreiber verlangt werden, angemessene Massnahmen durchzuführen.

Attenzione

Questo e' un prodotto di classe A. Se usato in vicinanza di residenze private potrebbe causare interferenze radio che potrebbero richiedere all'utilizzatore opportune misure.

Attention

Ce produit est de classe "A". Dans un environnement domestique, ce produit peut être la cause d'interférences radio. Dans ce cas l'utilisateur peut être amené à prendre les mesures adéquates.

Class B Devices

The following is applicable when the scanner cable is less than 3 meters (9.8 feet) in length when fully extended:

Les instructions ci-dessous s'appliquent aux cables de scanner ne dépassant pas 3 mètres (9.8 pieds) de long en extension maximale:

Folgendes trifft zu, wenn das Scannerkabel kürzer als 3 Meter ist:

This device complies with Part 15 of the FCC Rules. Operation is subject to the following two conditions: (1) This device may not cause harmful interference, and (2) this device must accept any interference received, including interference that may cause undesired operation.

This equipment has been tested and found to comply with the limits for a Class B digital device, pursuant to Part 15 of the FCC rules. These limits are designed to provide reasonable protection against harmful interference in a residential installation. This equipment generates, uses and can radiate radio frequency energy and, if not installed and used in accordance with the instructions, may cause harmful interference to radio communications. However, there is no guarantee that interference will not occur in a particular installation. If this equipment does cause harmful interference to radio or television reception, which can be determined by turning the equipment off and on, the user is encouraged to try to correct the interference by one or more of the following measures:

- Reorient or relocate the receiving antenna
- Increase the separation between the equipment and receiver
- Connect the equipment into an outlet on a circuit different from that to which the receiver is connected
- Consult the dealer or an experienced radio/TV technician for help

Notice

This Class B digital apparatus complies with Canadian ICES-003.

Remarque

Cet appareil numérique de classe B est conforme à la norme canadienne NMB-003.

LIMITED WARRANTY

Honeywell International Inc. ("HII") warrants its products and optional accessories to be free from defects in materials and workmanship and to conform to HII's published specifications applicable to the products purchased at the time of shipment. This warranty does not cover any HII product which is (i) improperly installed or used; (ii) damaged by accident or negligence, including failure to follow the proper maintenance, service, and cleaning schedule; or (iii) damaged as a result of (A) modification or alteration by the purchaser or other party, (B) excessive voltage or current supplied to or drawn from the interface connections, (C) static electricity or electro-static discharge, (D) operation under conditions beyond the specified operating parameters, or (E) repair or service of the product by anyone other than HII or its authorized representatives.

This warranty shall extend from the time of shipment for the duration published by HII for the product at the time of purchase ("Warranty Period"). Any defective product must be returned (at purchaser's expense) during the Warranty Period to HII factory or authorized service center for inspection. No product will be accepted by HII without a Return Materials Authorization, which may be obtained by contacting HII. In the event that the product is returned to HII or its authorized service center within the Warranty Period and HII determines to its satisfaction that the product is defective due to defects in materials or workmanship, HII, at its sole option, will either repair or replace the product without charge, except for return shipping to HII.

EXCEPT AS MAY BE OTHERWISE PROVIDED BY APPLICABLE LAW, THE FOREGOING WARRANTY IS IN LIEU OF ALL OTHER COVENANTS OR WARRANTIES, EITHER EXPRESSED OR IMPLIED, ORAL OR WRITTEN, INCLUDING, WITHOUT LIMITATION, ANY IMPLIED WARRANTIES OF MERCHANTABILITY OR FITNESS FOR A PARTICULAR PURPOSE, OR NON-INFRINGEMENT.

HII'S RESPONSIBILITY AND PURCHASER'S EXCLUSIVE REMEDY UNDER THIS WARRANTY IS LIMITED TO THE REPAIR OR REPLACEMENT OF THE DEFECTIVE PRODUCT WITH NEW OR REFURBISHED PARTS. IN NO EVENT SHALL HII BE LIABLE FOR INDIRECT, INCIDENTAL, OR CONSEQUENTIAL DAMAGES, AND, IN NO EVENT, SHALL ANY LIABILITY OF HII ARISING IN CONNECTION WITH ANY PRODUCT SOLD HEREUNDER (WHETHER SUCH LIABILITY ARISES FROM A CLAIM BASED ON CONTRACT, WARRANTY, TORT, OR OTHERWISE) EXCEED THE ACTUAL AMOUNT PAID TO HII FOR THE PRODUCT. THESE LIMITATIONS ON LIABILITY SHALL REMAIN IN FULL FORCE AND EFFECT EVEN WHEN HII MAY HAVE BEEN ADVISED OF THE POSSIBILITY OF SUCH INJURIES, LOSSES, OR DAMAGES. SOME STATES, PROVINCES, OR COUNTRIES DO NOT ALLOW THE EXCLUSION OR LIMITATIONS OF INCIDENTAL OR CONSEQUENTIAL DAMAGES, SO THE ABOVE LIMITATION OR EXCLUSION MAY NOT APPLY TO YOU.

LIMITED WARRANTY

All provisions of this Limited Warranty are separate and severable, which means that if any provision is held invalid and unenforceable, such determination shall not affect the validity of enforceability of the other provisions hereof. Use of any peripherals not provided by the manufacturer may result in damage not covered by this warranty. This includes but is not limited to: cables, power supplies, cradles, and docking stations. HII extends these warranties only to the first end-users of the products. These warranties are non-transferable.

The duration of the limited warranty for the MS3780 is three (3) year(s). The accessories have a 90 day limited warranty from the date of manufacture.

INDEX

A

AC 2, 7–11
Accessories 2, 3
Adapter 9
Audible Indicator.. 15–17, 23–26, 31

B

Bar Code 15–17, 23–26, 27, 30
Bar Width..... 27
Beep..... 15, 16, 17, 23–26, 31
Blue LED 15–17, 23–26
Button 4, 13–14
 CodeGate 4
 Mode Select..... 4

C

Cable
 Communication... 2, 7–11, 23–26,
 34–35
 EAS..... 12
 Keyboard Wedge 2, 34–35
 OCIA 2
 Pin Assignments 34–35
 PowerLink.. 2, 6, 7–11, 31, 34–35
 RS232 2
 RS485..... 2
 Troubleshooting 23–26
 USB 34–35
Caution 5, 7–11, 36
Class 38
CodeGate 1, 4, 13–14
Communication 16, 23–26, 29
Compliance 7–11, 36, 37
Components 2, 4
Configuration 15, 17, 30, 31
Current 28

D

DC 2, 28
Default Settings 13, 29
Depth of Field
 Normal 18, 20, 27
 Reduced 19, 20, 21, 27

E

EAS 12

EMC 37
EMI 37
Emissions..... 37

F

Failure
 Modes..... 17
Firmware 31
Flash ROM..... 1

H

Host 23–26

I

Immunity 37
Indicator
 Audible .. 4, 15–17, 23–26, 27, 31
 Failure 17
 Visual.... 4, 15–17, 23–26, 27, 31
Interface 27
 Keyboard Wedge..... 1, 9, 26
 Laser Emulation 1
 Light Pen 1, 7
 OCIA..... 1, 8
 RS232 1, 7, 25, 26
 RS485 1, 8
 Stand-Alone Keyboard 1, 10
 Troubleshooting..... 23–26
 USB 1, 11
IR Activation Range 22

K

Keyboard..... 29
Keyboard Wedge 9, 26

L

Label
 Caution 5
 Serial Number 5
Laser 4, 36
LED 15–17
Light Pen..... 7
Light Source..... 27

INDEX

M

Maintenance.....	6
Manual.....	2, 15, 29
Meteor.....	31
MetroSelect.....	30
MetroSet2.....	31
Mode of Operation	
Button.....	14
Primary.....	13–14
Secondary.....	13–14
Mode Select.....	4
Motor Speed.....	27
Mounting Specifications.....	5

O

OCIA.....	8
Omnidirectional Mode.....	4
Operation.....	38

P

Pin Assignments	
Cable.....	34–35
Scanner.....	32–33
Port.....	7–11, 23–26
Power.....	2, 7–11, 31
Power Supply.....	6
PowerLink.....	7–11
Protocol.....	29

R

RAM.....	25
Razzberry Tone.....	15–17, 25
Read Rate.....	14
Repair.....	17
ROM.....	25
RS232.....	7, 25, 26
RS485.....	8

S

Safety.....	36, 38
-------------	--------

Scan Lines.....	27
Scan Pattern.....	1, 27
Primary.....	13–14
Secondary.....	13–14
Single-Line.....	13–14
Scan Speed.....	27
SELV.....	7–11
Single-Line Mode.....	4
Specification	
Electrical.....	28
Environmental.....	28
Mechanical.....	27
Operational.....	27
Stand-Alone Keyboard.....	10
Storage.....	28
Switch Bank.....	12

T

Tone.....	1, 15
Transformer.....	2, 28
Troubleshooting.....	23–26

U

Upgrade.....	31
USB.....	11

V

Ventilation.....	28
Visual Indicator ...	15–17, 23–26, 31
Amber LED.....	4, 23–26
Blue LED.....	4, 23–26
White LED.....	4, 23–26
Voltage.....	7–11, 28
Volume.....	15

W

Weight.....	27
White LED.....	15–17, 23–26
Window.....	4

Technical Assistance

If you need assistance installing or troubleshooting your device, please contact us by using one of the methods below:

Knowledge Base: www.hsmknowledgebase.com

Our Knowledge Base provides thousands of immediate solutions. If the Knowledge Base cannot help, our Technical Support Portal (see below) provides an easy way to report your problem or ask your question.

Technical Support Portal: www.hsmsupportportal.com

The Technical Support Portal not only allows you to report your problem, but it also provides immediate solutions to your technical issues by searching our Knowledge Base. With the Portal, you can submit and track your questions online and send and receive attachments.

Web form: www.hsmcontactsupport.com

You can contact our technical support team directly by filling out our online support form. Enter your contact details and the description of the question/problem.

Telephone: www.honeywellaidc.com/locations

For our latest contact information, please check our website at the link above.

Product Service and Repair

Honeywell International Inc. provides service for all of its products through service centers throughout the world. To obtain warranty or non-warranty service, please visit www.honeywellaidc.com and select **Support > Contact Service and Repair** to see your region's instructions on how to obtain a Return Material Authorization number (RMA #). You should do this prior to returning the product.

Honeywell Scanning and Mobility
9680 Old Bailes Road
Fort Mill, SC 29707
www.honeywellaidc.com



00-02269 Rev G
11/12

Free Manuals Download Website

<http://myh66.com>

<http://usermanuals.us>

<http://www.somanuals.com>

<http://www.4manuals.cc>

<http://www.manual-lib.com>

<http://www.404manual.com>

<http://www.luxmanual.com>

<http://aubethermostatmanual.com>

Golf course search by state

<http://golfingnear.com>

Email search by domain

<http://emailbydomain.com>

Auto manuals search

<http://auto.somanuals.com>

TV manuals search

<http://tv.somanuals.com>