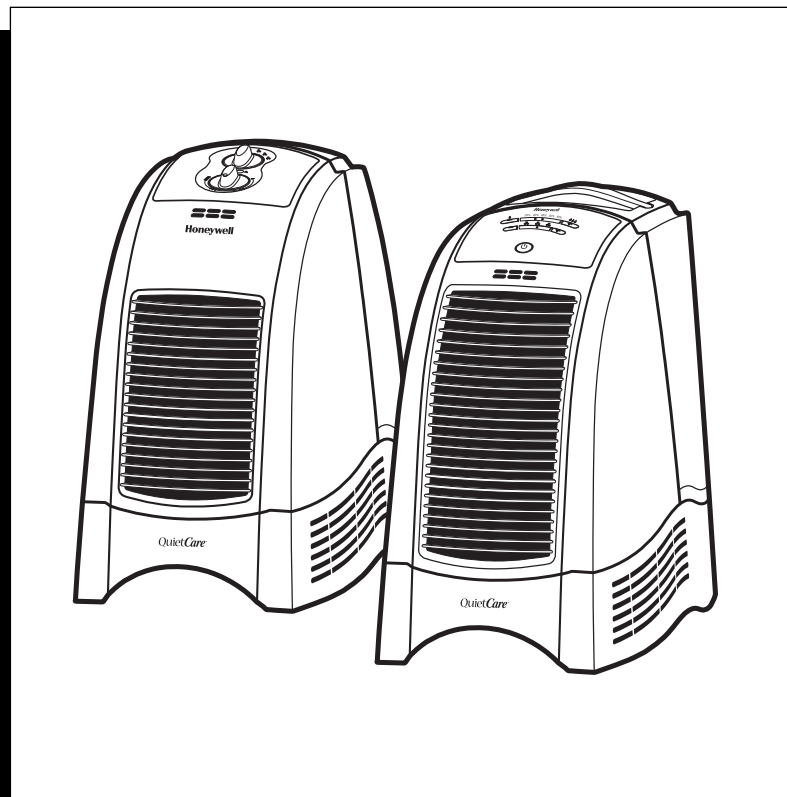


Honeywell

QuietCare™

OWNER'S MANUAL



**3 US GALLONS (11.3 LITERS)
OUTPUT PER DAY
COOL MOISTURE HUMIDIFIERS**

**MODELS:
HCM-630 Series
HCM-635 Series**

**4 US GALLONS (15.1 LITERS)
OUTPUT PER DAY
COOL MOISTURE HUMIDIFIERS**

**MODELS:
HCM-645
HCM-646
HCM-650
HCM-640BW**

The Honeywell trademark is used by Kaz, Inc. under license from Honeywell Intellectual Properties, Inc.

IMPORTANT SAFETY INSTRUCTIONS

READ AND SAVE THESE SAFETY INSTRUCTIONS BEFORE USING THIS HUMIDIFIER

When using electrical appliances, basic precautions should always be followed to reduce the risk of fire, electric shock, and injury to persons, including the following:

1. Always place this humidifier on a firm, flat and level surface. This humidifier may not work properly on an uneven surface.
2. Place this humidifier in an area where it is not accessible to children.
3. Do not place the humidifier near any heat sources such as stoves, radiators, and heaters.
4. Do not use the humidifier outdoors.
5. Before using the humidifier, check the power cord for any signs of damage. If the cord is found to be damaged, **DO NOT USE** and return the humidifier to the manufacturer under the warranty agreement for repair.
6. This appliance has a polarized plug (one blade is wider than the other). To reduce the risk of shock, this plug is intended to fit only one way in a polarized outlet. If the plug does not fit securely in the outlet, reverse the plug. If it still does not fit, contact a qualified electrician. **DO NOT** attempt to defeat this safety feature.
7. To disconnect the humidifier, first turn controls to the OFF position, then grip the plug and pull it from the wall outlet. Never pull by the cord.
8. A loose fit between the AC outlet (receptacle) and plug may cause overheating and a distortion of the plug. Contact a qualified electrician to replace loose or worn outlet.
9. The humidifier should always be unplugged and emptied when not in operation or while being serviced or cleaned.
10. Never tilt or attempt to move the humidifier while it is operating or filled with water. **UNPLUG** the humidifier before moving.
11. This humidifier requires regular cleaning. Refer to the CLEANING instructions provided. Never clean the humidifier in any manner other than as instructed in this manual.
12. Do not direct moisture flow directly at individuals, walls or furniture.
13. When a humidifier is used in a closed room or small rooms, check periodically for proper ventilation, as excessive humidity can cause condensation stains on walls.
14. Turn the humidifier OFF if you notice moisture on the inside of your windows. For proper humidity reading use a hygrometer, which is available in many hardware and department stores, or by ordering one from the manufacturer.

Introduction

HOW DOES IT WORK?

QuietCare™ COOL MOISTURE SYSTEM:

Dry air is pulled through the humidifier and the QuietCare™ fan blows out invisible, moisture-balanced air. Unwanted minerals and bacteria from the water are trapped inside the filter. When the unit is running you **WILL NOT** see or feel a “mist”. You will know your humidifier is putting moisture into the air as you watch the water level in your tank decrease throughout the day.

COMPLETE Protec™ PROTECTION

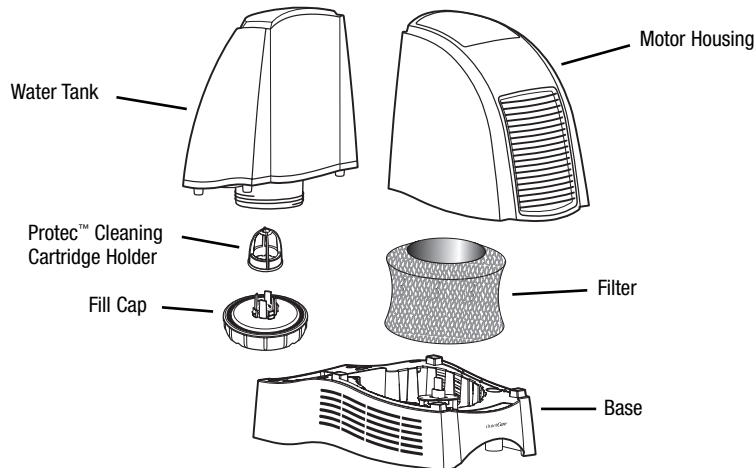
Your new QuietCare™ humidifier has double Protec™ Product Protection with the exclusive Protec™ Cleaning Cartridge and Protec™ treated filter.

Protec™ Cleaning Cartridge: Your humidifier has been designed with the Protec™ Cleaning Cartridge. This unique cartridge features an advanced patented media which continually inhibits the growth of odor-causing bacteria and mold in the cartridge as well as prevents the buildup of minerals in your humidifier. In addition, the Protec™ cartridge provides peace of mind that the mist is fresh and clean*.

Protec™ Antimicrobial Treated Filter: Your filter has been treated with Protec™ antimicrobial which helps prevent surface growth and migration of mold, mildew, algae, fungus and odor-causing bacteria in the filter for its life – approximately 1-3 months**. Keep in mind, depending on your water quality, mineral deposits can still clog or discolor the filter, affecting its life and that of the humidifier.

Air Washing Technology: Unique air washing system which helps “wash the air as it humidifies.” The unique pre-filter in combination with an ionizer helps capture dust, dirt, and pollen while freshening the air. (HCM-631 Series and HCM-632 Series only)

Your humidifier is made up of these parts:



*The Protec Cleaning Cartridge is antimicrobially treated to help prevent the growth of mold, fungus, algae and odor-causing bacteria on the cartridge only. It is not intended nor does it act to provide any pesticidal effect to mold, fungus, algae or odor-causing bacteria in the humidifier or humidifier water.

**The antimicrobial agent contained in this product is intended to prolong filter life only by inhibiting the growth of unsightly mold, mildew and algae, as well as controlling odor from odor-causing bacteria. The antimicrobial filter does not protect users or others against bacteria, viruses, germs or other disease-causing organisms. Always follow the humidifier manufacturer's instructions regarding cleaning, maintenance and servicing of your humidifier.



Set-Up

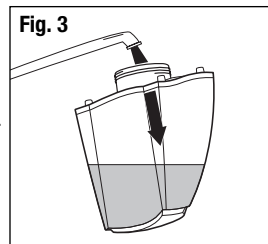
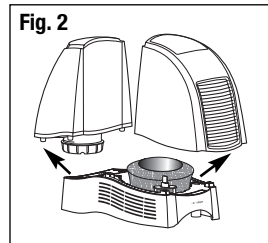
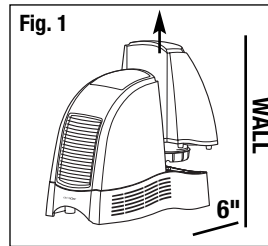
NOTE: We recommend that the humidifier be disinfected prior to first use. Please see *CLEANING INSTRUCTIONS*.

Select a firm, level, flat location - at least six inches (15 cm) from any wall for proper air flow (Fig. 1). Place the humidifier on a water-resistant surface, as water can damage furniture and some flooring.

Kaz will not accept responsibility for property damage caused by water spillage.

Filling

- Remove the water tank by grasping handle and pulling straight up. Set aside (Fig. 1).
- Lift up on the motor housing to remove and set aside (Fig. 2). Remove the filter from the base before filling the unit with water. Soak filter in a sink full of cool water to help reduce mineral buildup and place back in the humidifier while wet. **DO NOT SQUEEZE OR WRING OUT THE FILTER.** To help extend the life of your filter, repeat this step each time you fill your humidifier.
- Turn the Water Tank upside down so that the Fill Cap is facing up; unscrew the Fill Cap by turning it counter-clockwise  and set aside.
- Fill the Water Tank with COOL tap water (Fig. 3). Distilled water is not necessary but should be considered in hard water areas to prevent mineral build-up. **DO NOT USE HOT WATER.** Doing so may damage the humidifier.
- Replace the fill cap by turning it clockwise . **DO NOT OVER-TIGHTEN.** Turn the Water Tank right-side up.



NOTE: When carrying the filled Water Tank please use the handle and place your other hand under the tank for additional support.

- Place the Motor Housing back into the base.
- Position the Water Tank in the humidifier and push into place. Some water will empty into the base.
- Once the filled tank has been positioned, do not attempt to move the humidifier. To avoid leaking, you should never move the humidifier while filled with water.



CAUTION: DO NOT POUR WATER INTO THE GRILLE IN THE FRONT OF THE HUMIDIFIER. DOING SO MAY DAMAGE THE HUMIDIFIER OR CAUSE PERSONAL INJURY.

Manual Control Operation (Model HCM-630 Series)

POWER



CAUTION: DO NOT PLUG IN THE HUMIDIFIER WITH WET HANDS AS AN ELECTRICAL SHOCK COULD OCCUR.

- With the power switch in the OFF position, plug the filled humidifier into a polarized 120V outlet. **DO NOT FORCE THE POLARIZED PLUG INTO THE OUTLET;** it will only fit one way.

OUTPUT / FAN SPEED CONTROL

- Set the fan speed to the desired position (Fig. 4).
 - HIGH: For fast humidifying
 - MED: For everyday moisture control
 - LOW: For minimum operation (ideal for nighttime use)
- Continuous Mode: Your unit will run continuously at your selected speed until you shut it off or it runs out of water.

NOTE: Turn the humidifier OFF if the humidity level feels too moist or you notice condensation forming on the walls and/or windows.

ADVANCED MIST™ HUMIDISTAT

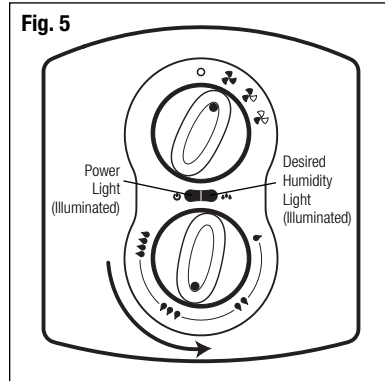
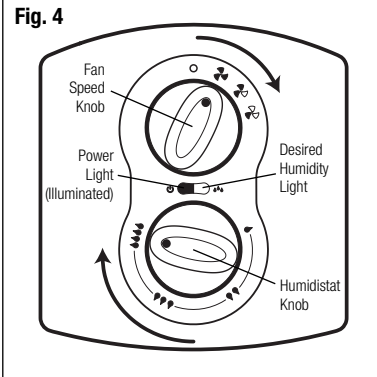
The Advanced Mist™ Humidistat allows you to adjust and select the humidity level to your personal preference. Your humidifier will turn on and off throughout the day and night to maintain the desired humidity level you have selected.

HOW TO SET THE HUMIDISTAT

First, turn the humidifier on and select your output/speed level. Set the Advanced Mist™ Humidistat on High by turning the knob clockwise ➡ to the end (Fig. 4).

- Let the humidifier **run on high for a least one hour** or until your room has reached a comfortable humidity level.
- At this point, slowly turn your Humidistat knob counter-clockwise ⬅ until the humidifier shuts off and the Desired Humidity light illuminates (Fig. 5).
- Now that your Humidistat knob is set, the humidifier will **automatically** turn back on when your room drops below your comfort setting and will **automatically** turn off again when the setting is reached.

NOTE: If the humidifier fan will not start or restart when you select a fan speed, the Advanced Mist™ Humidistat may be set too low. Turn the dial clockwise ➡ to the end (Fig. 4). The Desired Humidity light will turn Off when the unit is producing moisture. When the Desired Humidity light turns ON, you have reached optimal humidity.



EasySet™ Control Operation (Models HCM-635, HCM-645, HCM-646)

POWER



CAUTION: DO NOT PLUG IN THE HUMIDIFIER WITH WET HANDS AS AN ELECTRICAL SHOCK COULD OCCUR.

- With the power OFF, plug the filled humidifier into a polarized 120V outlet. DO NOT FORCE THE POLARIZED PLUG INTO THE OUTLET; it will only fit one way.

STEP 1: POWER

- Press the Power button to start the humidifier. Your humidifier will automatically start on High power, Continuous Mode (Fig. 6).
- To turn your humidifier OFF simply press the Power button again.

STEP 2: OUTPUT / FAN SPEED CONTROL

Your unit has three output levels/fan speeds:

- HIGH: For fast humidifying
- MED: For everyday moisture control
- LOW: For minimum operation (ideal for nighttime use)

- Push the up button (+) to increase output level and push the down button (-) to decrease output level. The LED's will illuminate to reflect which speed you have selected (Fig. 7).

STEP 3: SET HUMIDITY

- Set your desired humidity anywhere between 35% and 55%.
- Push the up button (+) to increase desired humidity and push the down button (-) to decrease desired humidity. The LED's will illuminate to reflect which desired humidity level you have selected (Fig. 8).

For example: If you set your humidity at 40%, the 35% and 40% LED's will be illuminated.

- Once you have set your desired humidity, the unit will operate under this setting until the unit is turned off or your selected humidity is reached.
- When the desired room humidity has been reached the fan will automatically shut off. (The humidity LED's will remain illuminated)
- The fan will turn back on when your room decreases beyond your set level.

NOTE: Your room humidity can often fluctuate. It is normal for your unit to turn itself on and off throughout the day as it is monitoring your changing environment.

To go back to Continuous Mode, turn your unit off and then back on and select your desired output setting (see Step 2).

Fig. 6

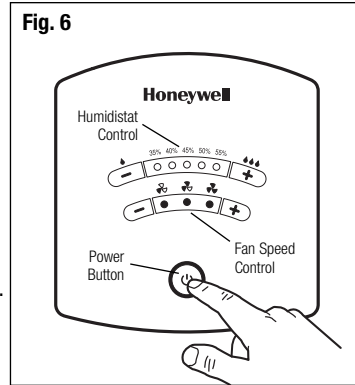


Fig. 7

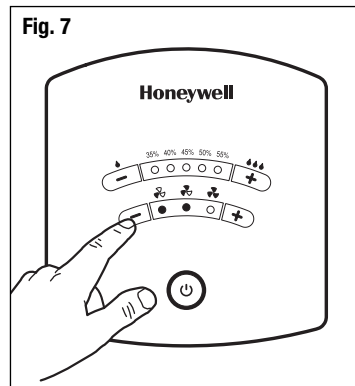
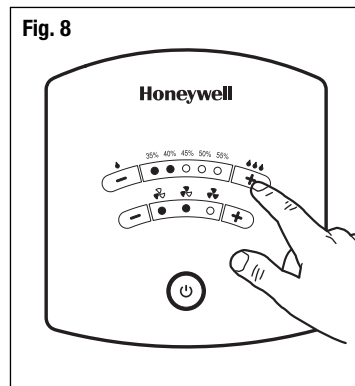


Fig. 8



Digital EasySet™ Control Operation (Model HCM-650)

POWER



CAUTION: DO NOT PLUG IN THE HUMIDIFIER WITH WET HANDS AS AN ELECTRICAL SHOCK COULD OCCUR.

- With the power OFF, plug the filled humidifier into a polarized 120V outlet. DO NOT FORCE THE POLARIZED PLUG INTO THE OUTLET; it will only fit one way.

STEP 1: POWER

- Press the Power button to start the humidifier. Your humidifier will automatically start on High power, Continuous Mode. The display will be illuminated and will reflect the current room humidity (Fig. 9).
- To turn your humidifier OFF simply press the Power button again.

Continuous Mode: Your unit will run continuously at your selected output level until you shut it off or it runs out of water.

STEP 2: OUTPUT / FAN SPEED CONTROL

Your unit has three output levels/fan speeds:

- ≡ HIGH: For fast humidifying
- = MED: For everyday moisture control
- LOW: For minimum operation (ideal for nighttime use)

- To change your fan speed press the fan speed button (⚙) up or down (Fig. 10).
- Once you have selected your desired speed the display will go back to showing the current room humidity after 3 seconds.

NOTE: If you wish to change or check your output/speed setting simply press the fan speed button (⚙) once and it will show you your setting. If you would like to change it, continue to push the button up or down until you have reached your desired setting. Again, after 3 seconds the display will revert to showing the current room humidity.

STEP 3: TIMER CONTROL

- You can set your timer for up to 18 hours. This function should only be used if you desire that the humidifier be automatically shut off after a certain period of time.
- Press the Timer button (⌚) up or down to set how many hours you would like the humidifier to run (Fig. 11).
- When the display indicates your desired time, wait 3 seconds.
- After 3 seconds, your desired time is set and the display will revert back to showing the current room humidity.

NOTE: If you wish to change your timer setting or check to see how much time is left, simply press the Timer button (⌚) once and it will show you the time left. If you want to change the time remaining, continue to push the button up or down until you have reached your desired time. Again, after 3 seconds the display will revert to showing the current room humidity. If you set a timer but no longer wish to have it set, turn the unit off and then repeat steps 1 and 2.

Fig. 9

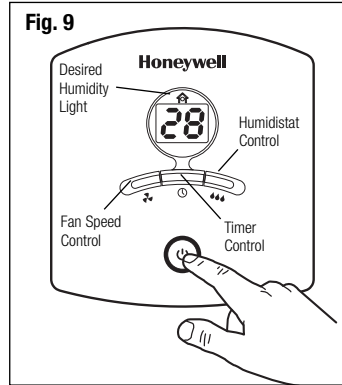


Fig. 10

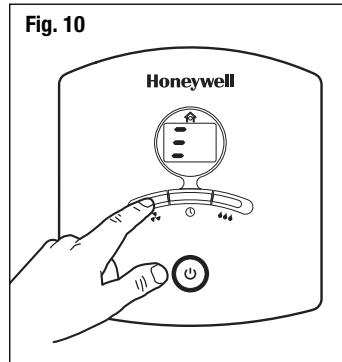
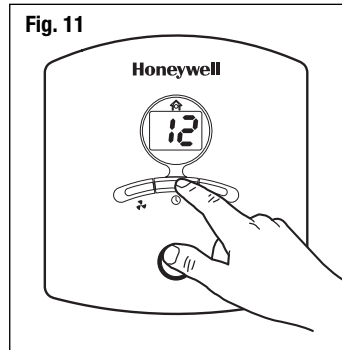


Fig. 11



Digital EasySet™ Control Operation (Model HCM-650)

STEP 4: SET HUMIDITY

- You can set your desired humidity in 1% increments anywhere from 25% to 65%.
- To set your desired humidity, press the humidity button (☼☼☼) up or down (Fig. 12).
- When the display indicates your desired humidity setting wait 3 seconds.
- After 3 seconds your desired humidity is set and the display will revert back to showing the current room humidity.

NOTE: If you wish to change your humidity setting or check to see what you set, simply press the humidity button once and it will show you the set humidity. If you want to change it, continue to push the button up or down until you have reached your new desired humidity. Again, after 3 seconds the display will revert to showing the current room humidity.

- Once you have set your humidity the unit will operate under this setting until the unit is turned off or your selected humidity is reached.
- When your desired room humidity has been reached the fan will shut off and the house icon (🏠) on the top of your display will illuminate (Fig. 13). It will stay illuminated until your desired humidity decreases at which time the fan will turn back on.

NOTE: Your room humidity can often fluctuate. It is normal for your unit to turn itself on and off throughout the day as it is monitoring your changing environment.

Fig. 12

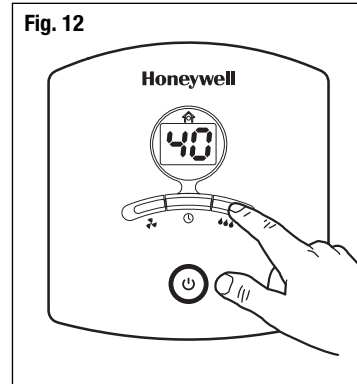
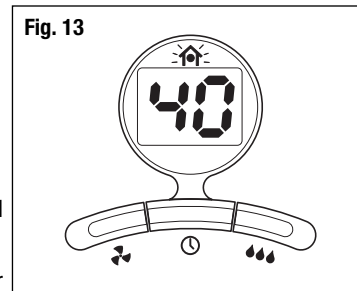
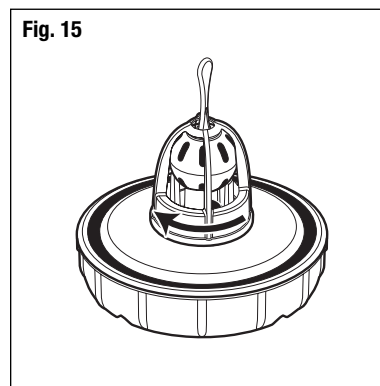
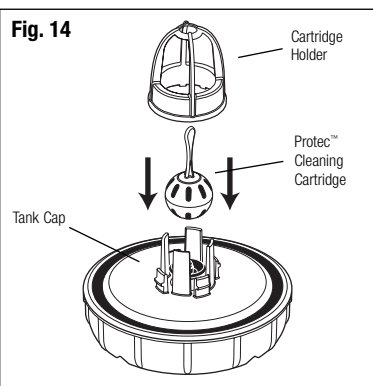


Fig. 13



Protec™ Cleaning Cartridge

The Protec™ Cleaning Cartridge will last 30 days or longer, depending on your usage. To install or replace your cartridge, simply remove the holder on the inside of your tank cap by turning it counter-clockwise ☰. Replace the cartridge holder by turning it clockwise ☷ (Fig. 14 & Fig. 15).



Cleaning

Your Protec™ Cleaning Cartridge helps reduce mineral build-up in your humidifier and will help extend the life of your filter. However, you should still continue to clean your humidifier regularly as needed.

Cleaning involves two steps, SCALE REMOVAL and DISINFECTING. Be sure to perform these in the proper order to avoid harmful chemical interactions.

- First, turn off and unplug the humidifier.
- Remove the Water Tank and Motor Housing.
- **Remove the filter from the Base.**
- Empty any water from the Base.

NOTE: REMOVE FILTER AND PROTEC™ CLEANING CARTRIDGE BEFORE CLEANING. Failure to remove filter during cleaning will destroy the filter.

STEP ONE: SCALE REMOVAL

BASE

1. Fill the Base with:
 - 1 cup (8 ozs.) of undiluted white vinegar
2. Let solution stand for 20 minutes.
3. With the vinegar in the Base, clean all interior surfaces with a soft cloth or brush to help remove scales.
4. Rinse the Base thoroughly with water to remove scale and cleaning solution.

STEP TWO: DISINFECTING

WATER TANK/BASE

1. Fill the Water Tank with:
 - 1 teaspoon of household bleach
and
 - 1 gallon of water
 Pour some of this solution into the Base.
2. Let solution stand for 20 minutes. Make sure to cover all surfaces.
3. Rinse with water until the smell of bleach is gone.

NOTES:

- The use of other water treatment products and chemicals may cause deterioration of the filter or damage the humidifier, thereby hindering the humidifier's effectiveness.
- If you are experiencing more buildup than when you first purchased your humidifier, you may need to replace your Protec™ Cleaning Cartridge. Changing your cartridge every 30 days will provide continuous protection.

End-of-Season Care and Storage

- Follow the CLEANING instructions when the humidifier will not be used for at least one week or more, or at the end of the season.
- At the end of the season, remove and throw away the filter and Protec™ Cleaning Cartridge; do not store with a used filter.
- Dry the humidifier completely before storing. DO NOT store with water inside the Base or Water Tank.
- Pack the unit in its original carton and store in a cool, dry location.
- Before next use, remember to clean your humidifier, install a new filter and new Protec™ Cleaning Cartridge.

Consumer Relations

Mail questions or comments to:

Kaz, Incorporated
Consumer Relations Dept.
250 Turnpike Road
Southborough, MA 01772

Please be sure to specify model number.

Call us toll-free at: 1-800-477-0457
E-mail: consumerrelations@kaz.com

Or visit our website at: www.kaz.com

Purchase replacement filter part number **HAC-504AW** and Protec™ Cleaning Cartridge part number **PC-1** (1 pack) or **PC-2** (2 pack)

Electrical Ratings

The Honeywell QuietCare™ Series models are rated at 120V, 60 Hz.

NOTE: IF YOU EXPERIENCE A PROBLEM, PLEASE RETURN THE HUMIDIFIER TO THE ORIGINAL PLACE OF PURCHASE OR SEE YOUR WARRANTY. DO NOT ATTEMPT TO OPEN THE MOTOR HOUSING YOURSELF. DOING SO MAY VOID YOUR WARRANTY AND CAUSE DAMAGE TO THE HUMIDIFIER OR PERSONAL INJURY.

Troubleshooting


Q: I hear the fan turning, but I don't see any mist. Is my humidifier operating properly?

A: Dry air is pulled through the system and a fan disperses invisible, moisture balanced air. There is no "mist" emitted. When operating normally you will feel only cool air coming from the unit. Monitor the water level in your Tank/ Base. If you notice a decrease in the Water Tank over 24 hours then the unit is operating normally.


Q: My unit has been running for several hours. I hear the fan spinning, but I do not notice the water level in the tank decreasing.

A: First, check the filter to ensure it is wet. If the pad appears dry, remove it from the Base and gently rinse under cool water. Reposition wet filter in the Base. You may also want to note the current moisture level in your home. If the humidity level is over 60% the unit will not put out much moisture as your air is already saturated.

Q: The humidifier is not running (the fan is not even spinning), but all (or some) of the lights are on. (Model HCM-630)

A: If the Desired Humidity light is ON: The Advanced Mist™ Humidistat knob may be set too low. Moving the knob clockwise  to the end should restart the unit.

Q: The Advanced Mist™ Humidistat knob was set according to the manual, but the humidifier never seems to turn back on. Is something wrong? (Model HCM-630)

A: The Humidistat knob may be set too low. Moving the Humidistat knob to the end clockwise  should restart the unit.

Q: The Advanced Mist™ Humidistat knob was set according to the manual, but the humidifier never seems to turn off. Is something wrong? (Model HCM-630)

A: The Humidistat knob may be set too high. Reset the Advanced Mist™ Humidistat knob following the instructions under FEATURES.

Q: My filter has turned light brown and rust colored. Do I need a new filter?

A: Probably not. Since your filter has been made with Protec™ antimicrobial the change in color indicates only a mineral deposit. Soak filter in a sink full of cool water to help break up deposits. The discoloration may remain but will not affect the humidifier's performance.

Q: My humidifier doesn't appear to be as clean as when I first purchased and/or I'm smelling an unpleasant odor. What should I do?

A: You probably need to replace your Protec™ Cleaning Cartridge. This cartridge helps your humidifier stay cleaner, longer and helps freshen the mist. If you have been using your humidifier regularly for over 30 days replace the Protec™ cartridge and follow the cleaning instructions.

3 Year Limited Warranty

You should first read all instructions before attempting to use this product.

- A.** This 3 year limited warranty applies to repair or replacement of product found to be defective in material or workmanship. This warranty does not apply to damage resulting from commercial, abusive, unreasonable use or supplemental damage. It also does not apply to the filter or Protec Cleaning Cartridge. Defects that are the result of normal wear and tear will not be considered manufacturing defects under this warranty.

KAZ IS NOT LIABLE FOR INCIDENTAL OR CONSEQUENTIAL DAMAGES OF ANY NATURE. ANY IMPLIED WARRANTY OF MERCHANTABILITY OR FITNESS FOR A PARTICULAR PURPOSE ON THIS PRODUCT IS LIMITED IN DURATION TO THE DURATION OF THIS WARRANTY.

Some jurisdictions do not allow the exclusion or limitation of incidental or consequential damages or limitations on how long an implied warranty lasts, so the above limitations or exclusions may not apply to you. This warranty gives you specific legal rights, and you also may have other rights which vary from jurisdiction to jurisdiction. This warranty applies only to the original purchaser of this product from the original date of purchase.

- B.** At its option, Kaz will repair or replace this product if it is found to be defective in material or workmanship. Defective product should be returned to the place of purchase in accordance with store policy. Thereafter, while within the warranty period defective product may be returned to Kaz.

- C.** This warranty does not cover damage resulting from any unauthorized attempts to repair or from any use not in accordance with the instruction manual.

- D.** Return defective product to Kaz, Incorporated with a brief description of the problem. Include proof of purchase and a \$10 US/\$15.50 CAN check or money order for handling, return packing and shipping charges. Please include your name, address and a daytime phone number. **You must prepay shipping charges.** Send to:

In U.S.A.:

Kaz, Incorporated
Attn: Returns Department
4755 Southpoint Drive
Memphis, TN 38118
USA

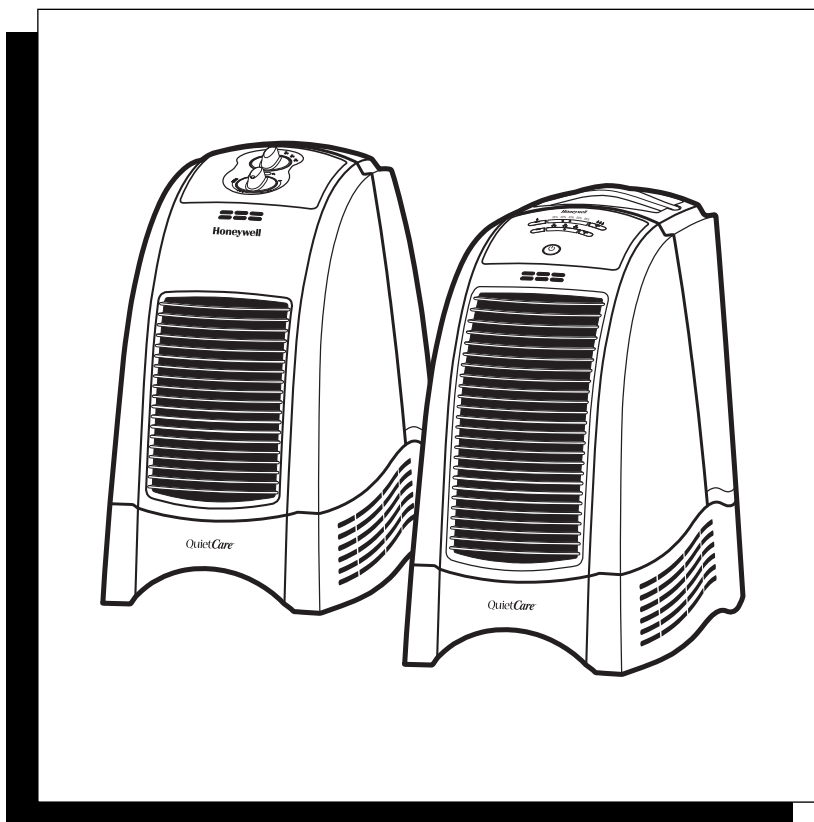
In Canada:

Kaz, Incorporated
Attn: Returns Department
510 Bronte Street South
Milton, ON L9T 2X6
Canada

Honeywell

QuietCare^{MC}

GUIDE D'UTILISATION



**RENDEMENT DE 11,3 LITRES
(3 GALLONS US) PAR JOUR
HUMIDIFICATEURS À VAPEUR FRAÎCHE**

**RENDEMENT DE 15,1 LITRES
(4 GALLONS US) PAR JOUR
HUMIDIFICATEURS À VAPEUR FRAÎCHE**

MODÈLES :
HCM-630 Série
HCM-635 Série

MODÈLES :
HCM-645
HCM-646
HCM-650

La marque de commerce Honeywell est utilisée par Kaz, Inc. avec l'autorisation de Honeywell Intellectual Properties, Inc.

IMPORTANTES INSTRUCTIONS DE SÉCURITÉ

LIRE CES INSTRUCTIONS DE SÉCURITÉ AVANT D'UTILISER L'HUMIDIFICATEUR

L'utilisation d'appareils électriques nécessite des précautions élémentaires afin de réduire les risques d'incendie, de choc électrique ou de blessures. Parmi les précautions à observer, on compte les suivantes:

1. Il convient de toujours placer l'humidificateur sur une surface ferme, dégagée et bien horizontale, puisqu'il pourrait ne pas fonctionner adéquatement sur une surface inégale.
2. Placer l'humidificateur hors de la portée des enfants.
3. Ne pas placer l'appareil près de sources de chaleur telles que poêles, radiateurs ou appareils de chauffage.
4. Éviter d'utiliser l'humidificateur en plein air.
5. Avant d'utiliser l'humidificateur, vérifier que le cordon d'alimentation n'est pas endommagé. Si le cordon est endommagé, **NE PAS UTILISER L'APPAREIL**, mais plutôt le retourner au fabricant pour une réparation selon les termes de la garantie.
6. Ce produit est équipé d'une fiche polarisée (fiche dont l'une des lames est plus large que l'autre). Afin de réduire les risques de choc électrique, cette fiche ne peut être insérée que d'une seule manière dans la prise de courant polarisée. Si la fiche ne s'insère pas complètement dans la prise, tourner la fiche. Si la fiche ne s'insère toujours pas dans la prise, contacter un électricien. **ÉVITER** de contourner le dispositif de sécurité que constitue la fiche polarisée.
7. Pour débrancher l'appareil, régler le bouton de contrôle à la position OFF, puis enlever la fiche de la prise de courant. Ne jamais débrancher l'appareil en tirant sur le cordon d'alimentation.
8. Une mauvaise connexion entre la sortie de courant alternatif et la fiche peut provoquer un échauffement excessif et une déformation de la fiche. Demander à un électricien qualifié de remplacer les prises de courant lâches ou usées.
9. Toujours débrancher et vider l'appareil quand celui-ci ne sert pas ou durant son entretien ou son nettoyage.
10. Éviter d'incliner ou de déplacer l'humidificateur quand il fonctionne ou qu'il est rempli d'eau. **DÉBRANCHER** l'appareil avant de le bouger.
11. Cet humidificateur nécessite un nettoyage régulier. Consulter les instructions de NETTOYAGE ci-jointes. Ne jamais nettoyer l'appareil d'une autre manière que celle prescrite dans le présent guide.
12. Éviter de diriger le flux de vapeur directement vers des personnes, un mur ou un meuble.
13. Lorsqu'un humidificateur est utilisé dans une pièce fermée ou une petite pièce, il convient de vérifier périodiquement si la ventilation est adéquate, puisqu'un taux d'humidité trop élevé peut causer des taches de condensation sur les murs.
14. Couper le fonctionnement de l'humidificateur si de l'humidité se forme à l'intérieur des fenêtres. Afin d'obtenir des relevés précis du degré d'humidité, utiliser un hygromètre. Ils sont vendus en quincaillerie et dans les grands magasins et peuvent être commandés du fabricant.

Introduction

COMMENT L'HUMIDIFICATEUR FONCTIONNE-T-IL?

SYSTÈME À VAPEUR FRAÎCHE QuietCare^{MC} :

L'air sec est aspiré dans l'humidificateur, et le ventilateur QuietCare^{MC} disperse un air invisible et équilibré en humidité. Les minéraux et bactéries indésirables contenus dans l'eau sont retenus dans le filtre. L'appareil ne produit pas de «brume» que l'on peut voir ou sentir. C'est en observant le niveau d'eau qui baisse dans le réservoir tout au long de la journée que l'on sait que l'humidificateur disperse de l'humidité dans l'air.

PROTECTION Protec^{MC} COMPLÈTE

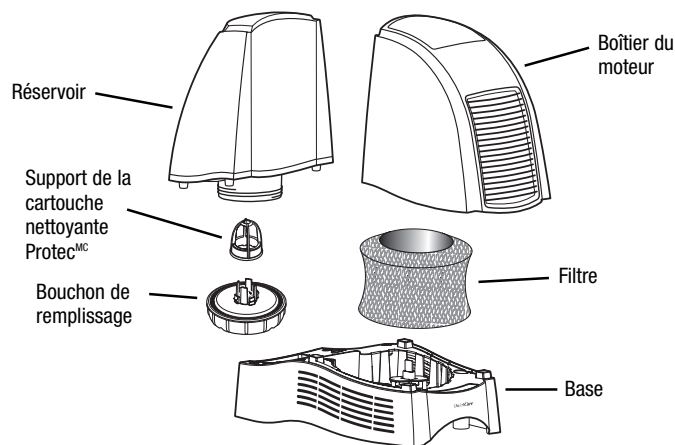
Votre nouvel humidificateur QuietCare^{MC} offre la double protection Protec^{MC} : la cartouche nettoyante Protec^{MC} et le filtre traité Protec^{MC} exclusifs.

Cartouche nettoyante Protec^{MC} : Votre humidificateur a été conçu pour inclure la cartouche nettoyante Protec^{MC}. Cette cartouche unique contient un matériau perfectionné breveté qui prévient continuellement la croissance, à l'intérieur de la cartouche, des moisissures et des bactéries causant des odeurs, ainsi que l'accumulation de dépôts minéraux dans l'humidificateur. De plus, la cartouche Protec^{MC} offre la tranquillité d'esprit, puisque la vapeur que produira l'humidificateur sera fraîche et propre*.

Filtre traité antimicrobien Protec^{MC} : Le filtre a été traité avec le traitement antimicrobien Protec^{MC} qui prévient la croissance de surface et la migration des moisissures, des algues, des champignons et des bactéries causant des odeurs dans le filtre pendant toute sa durée de service, soit environ de 1 à 3 mois**. À retenir : Selon la qualité de l'eau, des dépôts minéraux peuvent tout de même obstruer ou décolorer le filtre, ce qui influe sur sa durée de service et sur celle de l'humidificateur.

Technologie de purification d'air : Un système de purification d'air unique qui aide à « purifier l'air pendant que l'appareil l'humidifie. » Le préfiltre unique, combiné à un ionisateur, aide à retenir la poussière, la saleté et le pollen tout en rafraîchissant l'air. (Modèles des séries HCM-631 et HCM-632 seulement.)

L'humidificateur est composé des pièces suivantes :



*La cartouche nettoyante Protec^{MC} a été traitée avec un produit antimicrobien afin de prévenir la croissance des moisissures, des champignons, des algues et des bactéries causant des odeurs sur la cartouche seulement. Elle n'a pas été conçue pour avoir un effet pesticide quelconque sur les moisissures, les champignons, les algues et les bactéries causant des odeurs présents dans l'humidificateur ou dans l'eau de l'humidificateur.

**L'agent antimicrobien contenu dans le filtre est conçu uniquement pour prolonger la durée de service du filtre en empêchant la croissance des moisissures et des algues et en réduisant les odeurs causées par les bactéries. Le filtre antimicrobien ne protège pas les utilisateurs contre les bactéries, les virus, les germes ni les autres organismes pathogènes. Toujours suivre les instructions du fabricant de l'humidificateur quant au nettoyage, à l'entretien et à la réparation de l'humidificateur.



Installation

REMARQUE : On recommande de désinfecter l'humidificateur avant de l'utiliser pour la première fois. Consulter les instructions de la section NETTOYAGE.

Placer l'humidificateur sur une surface ferme, plane et de niveau, à une distance d'au moins 15 cm (6 po) de tout mur, pour permettre une bonne circulation d'air (Fig.1). Placer l'humidificateur sur une surface résistant à l'eau, car l'eau peut endommager les meubles et certains revêtements de sol.

Kaz ne pourra nullement être tenue responsable des dégâts causés par des déversements d'eau.

Remplissage

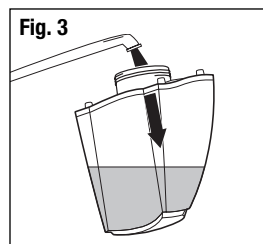
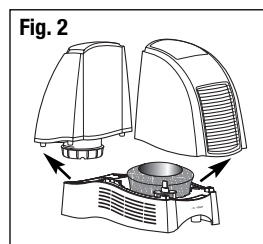
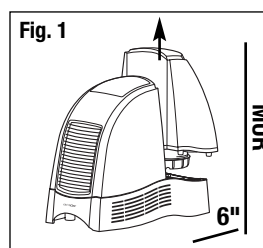
- Enlever le réservoir en tenant la poignée et en tirant vers le haut. Mettre de côté (Fig. 1).
- Soulever le boîtier du moteur. Mettre de côté (Fig. 2). Retirer le filtre de la base avant de remplir l'appareil d'eau. Faire tremper le filtre dans un évier rempli d'eau fraîche, afin d'aider à réduire l'accumulation de minéraux, et replacer le filtre encore mouillé dans la base. **ÉVITER DE PRESSER OU DE TORDRE LE FILTRE.** Répéter cette opération à chaque remplissage de l'humidificateur en vue de prolonger la durée de service du filtre.
- Retourner le réservoir de sorte que le bouchon de remplissage soit dirigé vers le haut. Dévisser le bouchon de remplissage en tournant dans le sens contraire des aiguilles d'une montre . Mettre le bouchon de côté.
- Remplir le réservoir avec de l'eau FRAÎCHE du robinet (Fig. 3). Il n'est pas nécessaire d'utiliser de l'eau distillée. Par contre, dans les régions où l'eau est dure, son utilisation est préférable afin de prévenir l'accumulation de minéraux. **NE PAS UTILISER D'EAU CHAUDE**, au risque d'endommager l'appareil.
- Replacer le bouchon de remplissage en le tournant dans le sens des aiguilles d'une montre . **ÉVITER DE TROP SERRER.** Retourner le réservoir pour le remettre en position normale.

REMARQUE: Pour transporter le réservoir rempli d'eau, utiliser la poignée et placer une main sous le réservoir pour obtenir un meilleur support.

- Replacer le boîtier du moteur sur la base.
- Placer le réservoir dans l'humidificateur et pousser pour l'emboîter dans l'appareil. Une certaine quantité d'eau se déversera dans la base.
- Une fois le réservoir rempli et mis en place, ne pas tenter de déplacer l'humidificateur. Pour éviter les fuites d'eau, ne jamais déplacer l'humidificateur quand il est rempli d'eau.



ATTENTION : NE PAS VERSER D'EAU À TRAVERS LA GRILLE SITUÉE SUR LE DEVANT DE L'HUMIDIFICATEUR, AU RISQUE D'ENDOMMAGER L'APPAREIL OU DE CAUSER DES BLESSURES.



Fonctionnement en mode manuel (modèles de la série HCM-630)

MISE EN MARCHÉ



ATTENTION: ÉVITER D'AVOIR LES MAINS MOUILLÉES AU MOMENT DE BRANCHER L'HUMIDIFICATEUR, AU RISQUE DE RECEVOIR UN CHOC ÉLECTRIQUE.

- Régler le bouton marche-arrêt à la position OFF et brancher l'humidificateur rempli dans une prise de courant polarisée de 120 V. **ÉVITER DE FORCER POUR FAIRE ENTRER LA FICHE POLARISÉE DANS LA PRISE DE COURANT;** la fiche ne s'insère que d'une seule manière dans la prise.

RÉGLAGE DE LA PRODUCTION D'HUMIDITÉ ET DE LA VITESSE DU VENTILATEUR

- Régler la vitesse du ventilateur à la position désirée (Fig. 4).
 - ☛ HIGH (ÉLEVÉE) : pour atteindre rapidement le degré d'humidité désiré.
 - ☛ MED (MOYENNE) : pour le fonctionnement quotidien
 - ☛ LOW (FAIBLE) : pour un fonctionnement plus lent (idéal pendant la nuit).
- Mode continu : l'appareil fonctionne sans arrêt à la vitesse choisie, jusqu'à ce qu'on l'éteigne ou qu'il soit vide.

REMARQUE : Couper le fonctionnement de l'humidificateur si le degré d'humidité devient trop élevé ou si une condensation se forme sur les murs ou les fenêtres.

HUMIDISTAT ADVANCED MIST^{MC}

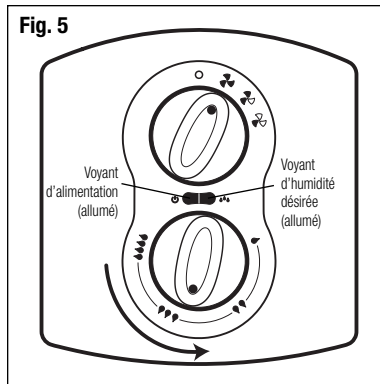
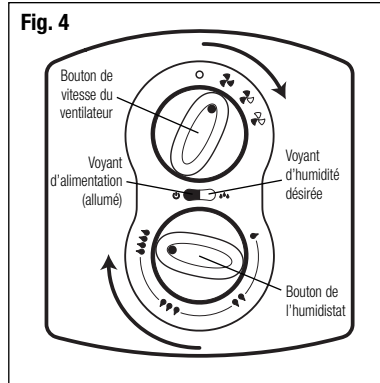
L'humidistat Advanced Mist^{MC} permet de régler le degré d'humidité souhaité. L'humidificateur se mettra en marche et s'arrêtera automatiquement pendant le jour et la nuit afin de maintenir le degré d'humidité sélectionné.

RÉGLAGE DE L'HUMIDISTAT

Commencer par faire fonctionner l'humidificateur conformément aux instructions et en réglant l'humidistat à son réglage le plus haut, en tournant le bouton jusqu'au bout dans le sens des aiguilles d'une montre ☛ (Fig. 4).

- Laisser fonctionner l'humidificateur à puissance élevée pendant au moins une heure ou jusqu'à ce que le degré d'humidité de la pièce soit adéquat.
- Ensuite, tourner lentement le bouton de l'humidistat dans le sens contraire des aiguilles d'une montre ☛, jusqu'à ce que l'humidificateur cesse de fonctionner et que le voyant du degré d'humidité désiré (Desired Humidity) s'allume (Fig. 5).
- Maintenant que l'humidistat a été réglé, l'humidificateur se remettra **automatiquement** en marche lorsque le degré d'humidité de la pièce tombera au-dessous du niveau préréglé et s'éteindra **automatiquement** quand ce niveau sera atteint.

REMARQUE : Si le ventilateur de l'humidificateur ne se met (ou remet) pas en marche lorsqu'une vitesse est choisie, il se peut que l'humidistat Advanced Mist^{MC} ait été réglé trop bas. Tourner le cadran jusqu'au bout dans le sens des aiguilles d'une montre ☛ (Fig. 4). Le voyant du degré d'humidité désiré (Desired Humidity) s'éteint quand l'humidificateur fonctionne. Quand le voyant du degré d'humidité désirée s'allume, c'est que le degré d'humidité souhaité a été atteint.



Fonctionnement en mode EasySet^{MC} (modèles HCM-635, HCM-645, HCM-646)

MISE EN MARCHÉ



ATTENTION: ÉVITER D'AVOIR LES MAINS MOUILLÉES AU MOMENT DE BRANCHER L'HUMIDIFICATEUR, AU RISQUE DE RECEVOIR UN CHOC ÉLECTRIQUE.

- Régler le bouton marche-arrêt à la position OFF et brancher l'humidificateur rempli dans une prise de courant polarisée de 120 V. ÉVITER DE FORCER POUR FAIRE ENTRER LA FICHE POLARISÉE DANS LA PRISE DE COURANT; la fiche ne s'insère que d'une seule manière dans la prise.

ÉTAPE 1 : MISE EN MARCHÉ

- Appuyer sur le bouton marche-arrêt pour mettre l'humidificateur en marche. Celui-ci se mettra automatiquement en marche en mode continu, à puissance élevée (Fig. 6).
- Pour couper le fonctionnement de l'humidificateur, il suffit d'appuyer à nouveau sur le bouton marche-arrêt.

ÉTAPE 2 : RÉGLAGE DE LA PRODUCTION D'HUMIDITÉ ET DE LA VITESSE DU VENTILATEUR

L'humidificateur offre trois niveaux de production d'humidité ou vitesses du ventilateur :

- HIGH (ÉLEVÉE) : pour atteindre rapidement le degré d'humidité désiré
- MED (MOYENNE) : pour le fonctionnement quotidien
- LOW (FAIBLE) : pour un fonctionnement plus lent (idéal pendant la nuit)

- Appuyer sur le bouton (+) pour augmenter la production d'humidité et sur le bouton (-) pour la diminuer. Les DEL (diodes électroluminescentes) s'allumeront pour indiquer la vitesse choisie (Fig. 7).

ÉTAPE 3 : RÉGLAGE DU TAUX D'HUMIDITÉ

- Régler le taux d'humidité désiré entre 35 % et 55 %.
- Appuyer sur le bouton (+) pour augmenter le taux d'humidité désiré et sur le bouton (-) pour le diminuer. Les DEL s'allumeront pour indiquer le taux d'humidité choisi (Fig. 8).

Par exemple : Si le taux d'humidité désiré est réglé à 40 %, les DEL 35 % et 40 % s'allumeront.

- Une fois le taux d'humidité réglé, l'appareil fonctionne selon ce réglage jusqu'à ce qu'on mette l'appareil hors tension ou que le taux d'humidité réglé soit atteint.
- Quand la pièce atteint le taux d'humidité voulu, le ventilateur s'arrête automatiquement. (Toutefois, les voyants à DEL du réglage du taux d'humidité restent allumés.)
- Le ventilateur se remet en marche quand le taux d'humidité de la pièce descend sous le taux réglé.

REMARQUE : Le taux d'humidité d'une pièce varie constamment. Il est donc normal que l'appareil se mette en marche et s'arrête tout au long de la journée, car il maintient continuellement le taux d'humidité de la pièce.

Pour revenir au mode continu, éteindre l'appareil, puis le remettre en marche et choisir la production d'humidité souhaitée (voir l'étape 2).

Fig. 6

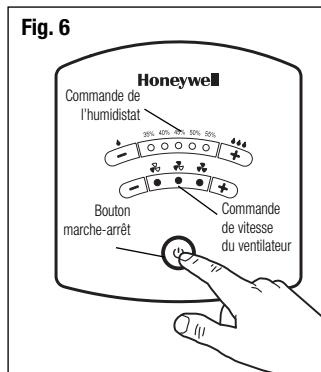


Fig. 7

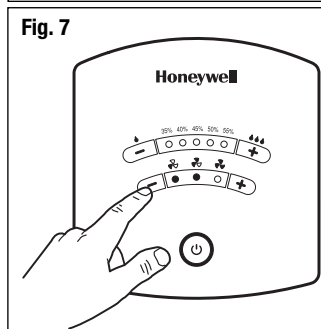
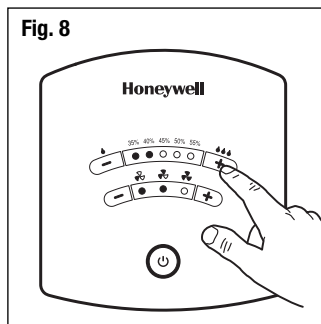


Fig. 8



Fonctionnement en mode numérique EasySet^{MC} (modèle HCM-650)

MISE EN MARCHÉ



ATTENTION: ÉVITER D'AVOIR LES MAINS MOUILLÉES AU MOMENT DE BRANCHER L'HUMIDIFICATEUR, AU RISQUE DE RECEVOIR UN CHOC ÉLECTRIQUE.

- Régler le bouton marche-arrêt à la position OFF et brancher l'humidificateur rempli dans une prise de courant polarisée de 120 V. ÉVITER DE FORCER POUR FAIRE ENTRER LA FICHE POLARISÉE DANS LA PRISE DE COURANT; la fiche ne s'insère que d'une seule manière dans la prise.

ÉTAPE 1 : MISE EN MARCHÉ

- Appuyer sur le bouton marche-arrêt pour mettre l'humidificateur en marche. Celui-ci se mettra automatiquement en marche en mode continu, à puissance élevée. L'affichage sera illuminé et indiquera le taux d'humidité ambiante (Fig. 9).
- Pour couper le fonctionnement de l'humidificateur, il suffit d'appuyer à nouveau sur le bouton marche-arrêt.

Mode continu : l'appareil fonctionne sans arrêt selon le réglage de production d'humidité choisi, jusqu'à ce qu'on l'éteigne ou qu'il soit vide.

ÉTAPE 2 : RÉGLAGE DE LA PRODUCTION D'HUMIDITÉ ET DE LA VITESSE DU VENTILATEUR

L'humidificateur offre trois niveaux de production d'humidité ou vitesses du ventilateur :

- ≡ HIGH (ÉLEVÉE) : pour atteindre rapidement le degré d'humidité désiré.
- = MED (MOYENNE) : pour le fonctionnement quotidien
- LOW (FAIBLE) : pour un fonctionnement plus lent (idéal pendant la nuit).

- Pour changer la vitesse du ventilateur, appuyer sur le bouton du ventilateur (🌀) vers le haut ou vers le bas (Fig. 10).
- Une fois que la vitesse désirée a été choisie, l'affichage revient après trois secondes à l'indication du taux d'humidité ambiante.

REMARQUE : Si on désire changer ou vérifier le réglage du niveau de production d'humidité/vitesse, il suffit d'appuyer une fois sur le bouton de réglage de la vitesse du ventilateur (🌀) : l'écran affichera le réglage. Pour le changer, continuer d'appuyer sur le bouton, vers le haut ou vers le bas, jusqu'à ce que le réglage voulu soit atteint. Une fois encore, l'écran reviendra à l'affichage du taux d'humidité actuel de la pièce après 3 secondes.

ÉTAPE 3 : COMMANDE DE LA MINUTERIE

- La minuterie peut être réglée pour une période allant jusqu'à 18 heures. N'utiliser cette fonction que si on souhaite que l'humidificateur cesse de fonctionner automatiquement après un certain temps.
- Appuyer sur le bouton de réglage de la minuterie (⌚), vers le haut ou vers le bas, pour régler le nombre d'heures de fonctionnement désiré de l'humidificateur (Fig. 11).
- Quand l'écran affiche la durée voulue, attendre 3 secondes.
- Après 3 secondes, la durée est réglée et l'écran revient à l'affichage du taux d'humidité actuel de la pièce.

Fig. 9

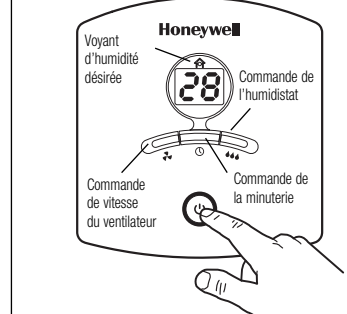


Fig. 10

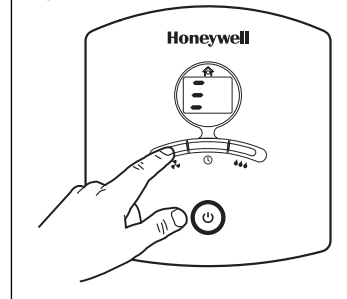
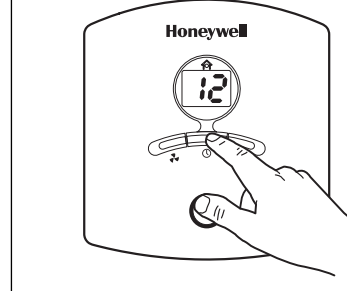


Fig. 11



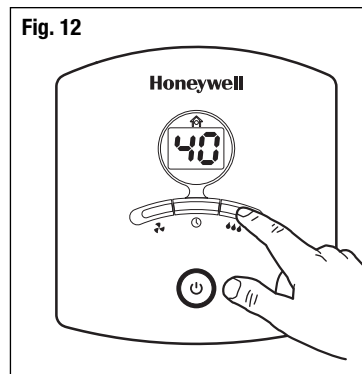
Fonctionnement en mode numérique EasySet^{MC} (modèle HCM-650) (Suite)

REMARQUE : Pour changer le réglage de la minuterie ou vérifier combien de temps il reste, il suffit d'appuyer une fois sur le bouton de la minuterie (⌚). Pour modifier le temps restant, appuyer de nouveau sur le bouton, vers le haut ou le bas. Après trois secondes, l'affichage revient à l'indication du taux d'humidité ambiante.

ÉTAPE 4 : RÉGLAGE DU TAUX D'HUMIDITÉ

- On peut régler le taux d'humidité par tranches de 1 %, entre 25 et 65 %.
- Pour régler le taux d'humidité désiré, appuyer vers le haut ou vers le bas sur le bouton d'humidité (💧) (Fig. 12).
- Lorsque le taux d'humidité désiré s'affiche, attendre trois secondes.
- Après trois secondes, le taux d'humidité désiré est réglé, et l'affichage revient à l'indication du taux d'humidité ambiante.

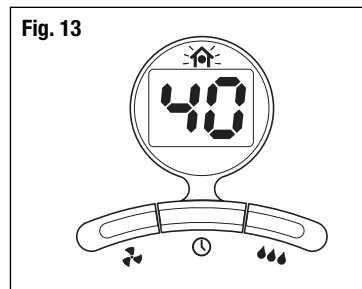
Fig. 12



REMARQUE : Pour changer le réglage du taux d'humidité ou vérifier celui qui a été réglé, il suffit d'appuyer une fois sur le bouton d'humidité pour que le taux d'humidité qui a été réglé s'affiche. Pour le modifier, appuyer de nouveau sur le bouton, vers le haut ou le bas. Après trois secondes, l'affichage revient à l'indication du taux d'humidité ambiante.

- Une fois le taux d'humidité réglé, l'appareil fonctionne selon ce réglage jusqu'à ce qu'on mette l'appareil hors tension ou que le taux d'humidité réglé soit atteint.
- Quand la pièce atteint le taux d'humidité voulu, le ventilateur s'arrête et l'icône de maison (🏠), située au haut de l'écran, s'allume (Fig. 13). Elle reste allumée jusqu'à ce que le taux d'humidité baisse. Le ventilateur se remet alors en marche.

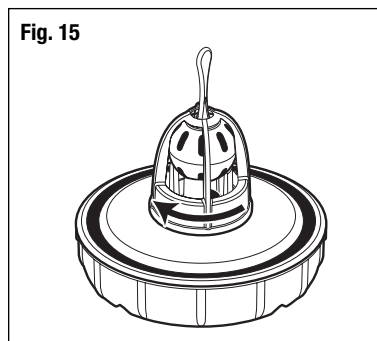
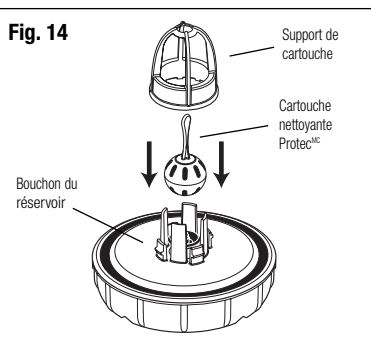
Fig. 13



REMARQUE : Le taux d'humidité d'une pièce varie constamment. Il est donc normal que l'appareil se mette en marche et s'arrête tout au long de la journée, car il maintient continuellement le taux d'humidité de la pièce.

Cartouche nettoyante Protec^{MC}

La cartouche nettoyante Protec^{MC} est efficace pendant 30 jours ou plus, selon l'utilisation qui est faite de l'appareil. Pour installer ou remplacer la cartouche, il suffit d'enlever le support qui se trouve à l'intérieur du bouchon du réservoir en le tournant dans le sens contraire des aiguilles d'une montre ↻. Remettre en place le support de cartouche en le tournant dans le sens des aiguilles d'une montre ↻ (Fig. 14 et Fig. 15).



Nettoyage

La cartouche nettoyante Protec^{MC} aide à réduire l'accumulation de minéraux dans l'humidificateur et contribue à prolonger la durée de service du filtre. Toutefois, il est recommandé de continuer à nettoyer l'humidificateur régulièrement.

Le nettoyage régulier s'effectue en deux étapes, soit L'ENLÈVEMENT D'INCRUSTATION et la DÉSINFECTION. S'assurer d'effectuer ces opérations dans l'ordre afin d'éviter une interaction dangereuse des produits chimiques.

- Couper le fonctionnement de l'humidificateur et le débrancher.
- Enlever le réservoir et le boîtier du moteur.
- **Retirer le filtre de la base.**
- Jeter l'eau se trouvant dans la base.

REMARQUE : ENLEVER LE FILTRE ET LA CARTOUCHE DE NETTOYAGE PROTEC^{MC} AVANT D'EFFECTUER LE NETTOYAGE. Le fait de ne pas retirer le filtre avant d'effectuer le nettoyage entraînera la destruction du filtre.

ÉTAPE 1 :

ENLÈVEMENT DE L'INCRUSTATION

BASE

1. Remplir la base avec :
 - 1 tasse (250 mL) de vinaigre blanc non dilué
 - ou**
 - le nettoyant pour humidificateurs Honeywell®, article n° HAC-101, en suivant les instructions figurant sur la bouteille.
2. Laisser agir la solution pendant 20 minutes.
3. Sans enlever la solution versée dans la base, nettoyer toutes les surfaces intérieures de la base au moyen d'une brosse souple ou d'un linge, afin d'enlever l'incrustation.
4. Rincer à fond la base avec de l'eau, afin d'enlever l'incrustation et la solution nettoyante.

ÉTAPE 2 :

DÉSINFECTION

RÉSERVOIR / BASE

1. Remplir le réservoir avec :
 - 1 cuillère à thé de blanchiment au chlore
 - et**
 - 4 litres d'eau.

Verser un peu de cette solution dans la base.
2. Laisser agir la solution pendant 20 minutes. S'assurer que toutes les surfaces sont recouvertes.
3. Rincer à l'eau jusqu'à ce que l'odeur de l'agent de blanchiment ait disparu.

REMARQUES :

- L'utilisation d'autres produits de traitement d'eau ou de produits chimiques peut endommager le filtre ou l'humidificateur, en diminuant ainsi le rendement.
- Si vous remarquez que l'accumulation de minéraux est plus importante qu'elle ne l'était pendant les premières semaines d'utilisation de l'humidificateur, c'est qu'il est peut-être temps de remplacer la cartouche nettoyante Protec^{MC}. En changeant la cartouche tous les 30 jours, on obtient une protection continue.

Entretien de fin de saison et entreposage

- À la fin de la saison d'utilisation, ou dans le cas où l'humidificateur ne sera pas utilisé pendant plus d'une semaine, nettoyer l'appareil conformément aux directives de la section intitulée NETTOYAGE.
- À la fin de la saison d'utilisation, retirer et jeter le filtre et la cartouche nettoiyante Protec^{MC}. Éviter de laisser le filtre usagé dans l'humidificateur au moment de ranger l'appareil.
- S'assurer que tous les composants de l'humidificateur sont secs avant de le ranger. Vider complètement la base et le réservoir avant d'entreposer l'appareil.
- Placer l'humidificateur dans son emballage initial et le ranger dans un endroit frais et sec.
- Penser à nettoyer l'humidificateur et à installer un nouveau filtre et une nouvelle cartouche nettoiyante Protec^{MC} au début de la prochaine saison d'utilisation.

Service à la clientèle

Adresser questions et commentaires à :

Kaz, Incorporated
Consumer Relations Dept.
250 Turnpike Road
Southborough, MA 01772
USA

Prière de spécifier le numéro de modèle.

Composez sans frais : 1-800-477-0457
Courriel : consumerrelations@kaz.com

ou visitez notre site Web, à l'adresse : www.kaz.com

Acheter les filtres de rechange (numéro de pièce **HAC-504**) et les cartouches nettoiyantes Protec^{MC}, numéros de pièces **PC-1** (paquet simple) et **PC-2** (paquet double).

Caractéristiques électriques assignées

Les modèles de la série Honeywell QuietCare^{MC} ont les caractéristiques assignées suivantes : 120 V, 60 Hz.

REMARQUE: EN CAS DE PROBLÈME, RAMENER L'HUMIDIFICATEUR À L'ENDROIT OÙ IL A ÉTÉ ACHETÉ OU CONSULTER LA GARANTIE. PRIÈRE DE NE PAS TENTER D'OUVRIER LE BLOC MOTEUR, CE QUI POURRAIT ANNULER LA GARANTIE ET CAUSER DES DOMMAGES ET DES BLESSURES.

DÉPANNAGE

**Q : J'entends le ventilateur qui tourne, mais je ne vois aucune « brume ».
Mon humidificateur fonctionne-t-il correctement?**

R : L'air sec passe dans le système, et un ventilateur disperse un air invisible, équilibré en humidité. L'appareil ne produit pas de « brume ». Quand l'humidificateur fonctionne normalement, on sent uniquement de l'air frais qui sort de l'appareil. Il faut surveiller le niveau d'eau du réservoir et de la base. Si l'on constate que le niveau d'eau baisse dans le réservoir pendant une période de 24 heures, c'est que l'humidificateur fonctionne normalement.

Q : Mon appareil fonctionne depuis plusieurs heures. J'entends le ventilateur tourner, mais je ne constate aucune baisse du niveau d'eau dans le réservoir.

R : Vérifier d'abord le filtre afin de s'assurer qu'il est mouillé. S'il semble sec, le retirer de la base et le rincer délicatement sous l'eau fraîche. Replacer le filtre mouillé dans la base. On peut aussi mesurer le degré d'humidité ambiante. En effet, si celui-ci dépasse 60 p. 100, l'humidificateur ne produira pas beaucoup d'humidité, puisque l'air ambiant est déjà saturé.

Q : L'humidificateur ne fonctionne pas (le ventilateur ne tourne même pas), mais tous les voyants (ou certains) sont allumés. (modele HCM-650)

R : Si le voyant du degré d'humidité désiré (Desired Humidity) est allumé, l'humidistat Advanced Mist^{MC} peut être réglé trop bas. Le fait de tourner le bouton jusqu'au bout dans le sens des aiguilles d'une montre ➤ devrait déclencher la mise en marche de l'appareil.

Q : L'humidistat Advanced Mist^{MC} a été réglé conformément aux instructions du manuel, mais l'humidificateur ne se remet jamais en marche. (modele HCM-650)

R : Le bouton de l'humidistat peut avoir été réglé trop bas. Le fait de tourner le bouton jusqu'au bout dans le sens des aiguilles d'une montre ➤ devrait déclencher la mise en marche de l'appareil.

Q : L'humidistat Advanced Mist^{MC} a été réglé conformément aux instructions du manuel, mais l'humidificateur n'arrête jamais de fonctionner. (modele HCM-650)

R : Le bouton de l'humidistat peut avoir été réglé trop haut. Régler de nouveau le bouton de l'humidistat conformément aux instructions de la section CARACTÉRISTIQUES.

Q : Le filtre est devenu brun et de couleur rouille. Faut-il le remplacer?

R : Probablement pas. Puisque le filtre a reçu le traitement antimicrobien Protec^{MC}, le changement de couleur indique uniquement un dépôt de minéraux. Faire tremper le filtre dans un évier rempli d'eau fraîche afin de briser les dépôts de minéraux. Il se peut que la décoloration demeure, mais celle-ci ne nuira pas au fonctionnement de l'humidificateur.

Q : Mon humidificateur n'a pas l'air d'être aussi propre que quand je l'ai acheté et/ou dégage une odeur déplaisante. Que devrais-je faire?

R : Il est probablement temps de remplacer la cartouche nettoyante Protec^{MC}. Cette cartouche aide à garder votre humidificateur propre plus longtemps et à rafraîchir la vapeur qu'il produit. Si vous avez utilisé votre humidificateur régulièrement pendant plus de 30 jours, remplacez la cartouche Protec^{MC} et suivez les instructions de nettoyage.

Garantie limitée de 3 ans

Prière de lire toutes les instructions avant de tenter d'utiliser ce produit.

- A.** Cette garantie limitée de 3 ans s'applique à la réparation ou au remplacement d'un produit comportant un vice de matière ou de main-d'œuvre. Cette garantie ne s'applique pas aux dégâts découlant d'un usage commercial, abusif ou déraisonnable, ni aux dégâts supplémentaires. Elle ne s'applique pas non plus au filtre ni à la cartouche nettoyante Protec. Les défaillances résultant de l'usure normale ne sont pas considérées comme des vices de fabrication en vertu de la présente garantie.

KAZ N'EST NULLEMENT RESPONSABLE POUR LES DOMMAGES FORTUITS OU INDIRECTS, QUELS QU'ILS SOIENT. TOUTE GARANTIE IMPLICITE DE QUALITÉ MARCHANDE ET DE CONVENANCE RELATIVE À CE PRODUIT A LA MÊME DURÉE LIMITE QUE LA PRÉSENTE GARANTIE.

Dans certaines régions, on ne permet pas l'exclusion ou la limitation des dommages fortuits ou indirects, ni les limites de durée applicables à une garantie implicite; par conséquent, il est possible que ces limitations ou exclusions ne s'appliquent pas dans votre cas. Cette garantie vous confère des droits précis, reconnus par la loi. Ces droits diffèrent d'une région à l'autre, et il est possible que vous en ayez d'autres. Cette garantie s'applique uniquement à l'acheteur initial de ce produit, à compter de la date de l'achat.

- B.** À sa discrétion, Kaz réparera ou remplacera ce produit si l'on constate qu'il comporte un vice de matière ou de main-d'œuvre. Tout produit défectueux devrait être retourné à l'endroit où il a été acheté, conformément à la politique du magasin. Par la suite, tout produit défectueux dont la garantie est toujours valide peut être retourné à Kaz.

- C.** Cette garantie ne couvre pas les dommages découlant des tentatives de réparation non autorisées ou de toute utilisation non conforme au présent manuel.

- D.** Retourner tout produit défectueux à Kaz, Incorporated, accompagné d'une brève description du problème. Inclure une preuve d'achat et un chèque ou un mandat de poste de 10,00 \$ US / 15.50 \$ can. pour les frais de manutention, d'emballage de retour et d'expédition. Prière d'indiquer nom, adresse et numéro de téléphone durant la journée. Les frais d'expédition doivent être payés à l'avance. Adresser à :

Aux États-Unis:

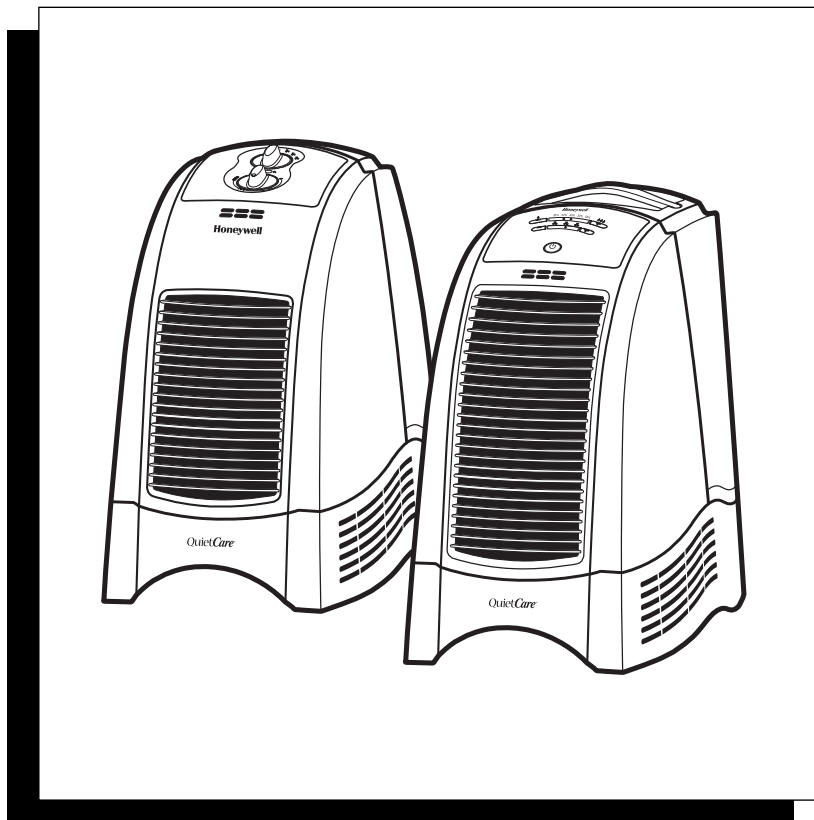
Kaz, Incorporated
Attn: Returns Department
4755 Southpoint Drive
Memphis, TN 38118
USA

Au Canada:

Kaz, Incorporated
Attn: Returns Department
510 Bronte Street South
Milton, ON L9T 2X6
Canada

Honeywell

QuietCare^{MC} MANUAL DEL USUARIO



**PURIFICA 11,3 LITROS
(3 GALONES USA) DIARIOS
HUMIDIFICADOR DE VAPOR FRÍO**

MODELOS :
HCM-630 Serie
HCM-635 Serie

**PURIFICA 15,1 LITROS
(4 GALONES USA) DIARIOS
HUMIDIFICADORES DE VAPOR FRÍO**

MODELOS :
HCM-645
HCM-646
HCM-650

Kaz, Inc. utiliza la marca de comercio Honeywell con autorización de HoneywellIntellectual Properties, Inc.

INSTRUCCIONES IMPORTANTES DE SEGURIDAD

LEA Y GUARDE ESTAS INSTRUCCIONES DE SEGURIDAD ANTES DE USAR ESTE HUMIDIFICADOR

Siempre se deben tomar las precauciones básicas cuando se usen artefactos eléctricos para reducir el riesgo de incendio, choque eléctrico y lesiones personales, incluyendo lo siguiente:

1. Siempre coloque este humidificador sobre una superficie firme, plana y nivelada. Es posible que este humidificador no funcione debidamente sobre una superficie desnivelada.
2. Coloque este humidificador en un lugar fuera del alcance de los niños.
3. No coloque el humidificador cerca de ninguna fuente térmica como estufas, radiadores y calentadores.
4. No use el humidificador al aire libre.
5. Antes de usar el humidificador, verifique que el cordón eléctrico no tenga señales de avería. Si considera que el cordón está estropeado, **NO LO USE** y devuelva el humidificador al fabricante conforme al acuerdo de garantía para su reparación.
6. Este artefacto tiene un enchufe polarizado (una punta es más ancha que la otra). Para reducir el riesgo de choque, este enchufe ha sido diseñado para que encaje de una forma solamente en un tomacorriente polarizado. Si el enchufe no encaja completamente en el tomacorriente, inviértalo. Si aún no encaja, comuníquese con un electricista competente. **NO** trate de ir en contra de esta característica de seguridad.
7. Para desconectar el humidificador, primero coloque los controles en la posición apagada (OFF), luego sujete el enchufe y sáquelo del tomacorriente. Nunca tire del cordón.
8. Una conexión floja entre la toma de corriente alterna (tomacorriente o receptáculo) y el enchufe puede hacer que el enchufe se recaliente y se deforme. Comuníquese con un electricista competente para cambiar un tomacorriente flojo o gastado.
9. Se debe desenchufar y vaciar el humidificador siempre que no esté funcionando o durante su reparación o limpieza.
10. Nunca incline ni trate de mover el humidificador mientras esté funcionando o esté lleno de agua. **DESENCHÚFELO** antes de moverlo.
11. El humidificador se debe limpiar con regularidad. Consulte las instrucciones de LIMPIEZA provistas. Nunca limpie el humidificador de ninguna otra manera que no sea conforme con las instrucciones de este manual.
12. Nunca oriente el vapor directamente hacia personas, paredes o muebles.
13. Si usa el humidificador en una habitación cerrada o en una habitación pequeña, debe comprobar periódicamente que haya la adecuada aireación ya que un nivel de humedad demasiado elevado provocará manchas de condensación en las paredes.
14. Apague el humidificador si se forma condensación en el interior de las ventanas. Para obtener el nivel de humedad exacto, use un higrómetro que puede conseguir en una ferretería o en un gran almacén. También puede hacer un pedido al fabricante.

Introducción

¿CÓMO FUNCIONA EL HUMIDIFICADOR?

SISTEMA DE VAPOR FRÍO QuietCare^{MC}:

El humidificador aspira el aire seco y el ventilador QuietCare^{MC} dispersa en la habitación aire invisible y de humedad equilibrada. Los minerales y bacterias no deseadas del agua quedan retenidos en el filtro. El aparato no produce "bruma" que pueda verse ni olerse. Sabemos que el humidificador está dispersando humedad en el aire al ver bajar el nivel de agua del depósito en el transcurso del día.

PROTECCIÓN Protec^{MC} COMPLETA

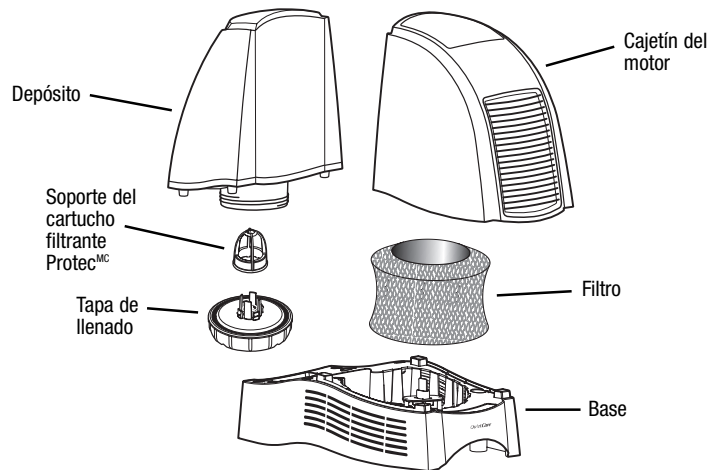
Su nuevo humidificador QuietCare^{MC} le proporciona doble protección Protec^{MC} gracias al cartucho antibacteriano Protec^{MC} y al filtro tratado Protec^{MC} exclusivos.

Cartucho antibacteriano Protec^{MC}: Su humidificador está diseñado para ser usado con el cartucho antibacteriano Protec^{MC}, gracias al cual su humidificador se mantendrá limpio por más tiempo. Este cartucho único está dotado de un material perfeccionado patentado que impide continuamente el desarrollo de bacterias y hongos causantes de olores en el cartucho y la acumulación de depósitos minerales en el humidificador. Además, con el cartucho Protec^{MC} estará tranquilo, el vapor de su humidificador será fresco y limpio*.

Filtro tratado con Protec^{MC} antimicrobiano: El filtro viene tratado con Protec^{MC}, un producto antimicrobiano que impide la proliferación y la migración de moho, algas, hongos y bacterias causantes de olores, sobre el filtro, durante toda su duración, aproximadamente entre 1 y 3 meses**. No olvide que la calidad del agua influirá en la sedimentación de minerales, que pueden obstruir e incluso descolorir el filtro, influyendo en la duración de éste y en la de su humidificador.

Tecnología de purificación de aire: un sistema de purificación de aire único que "purifica el aire humidicándolo al mismo tiempo". El prefiltro único, combinado a un ionizador, retiene el polvo, la suciedad y el polen a la vez que refresca el aire. (Modelos de las series HCM-631 y HCM-632 únicamente)

Partes del humidificador:



*El cartucho filtrante Protec^{MC} viene tratado con un producto antimicrobiano que impide la proliferación de moho, hongos, algas y bacterias causantes de olores sobre el cartucho únicamente. El cartucho no posee cualidades pesticidas para combatir el moho, hongos, algas y bacterias causantes de olores que se encuentran en el humidificador ni en el agua del mismo.

**El agente antimicrobiano del filtro está diseñado para prolongar la duración del filtro únicamente impidiendo el desarrollo de moho y algas y disminuyendo los olores causados por las bacterias. El filtro antimicrobiano no protege al usuario de las bacterias, virus, gérmenes ni demás agentes patógenos. Siga siempre las instrucciones del fabricante del humidificador referentes a la limpieza, mantenimiento y reparación del humidificador.

Instalación

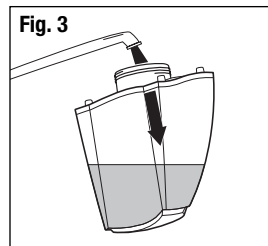
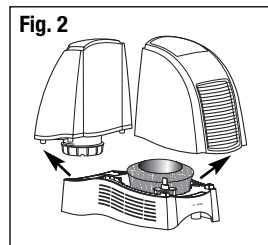
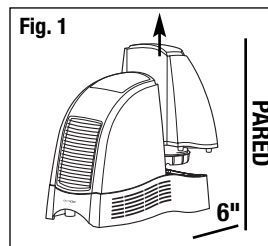
NOTA: Le recomendamos desinfectar el humidificador antes de usarlo por primera vez. Consulte las instrucciones de la sección LIMPIEZA.

Coloque el humidificador sobre una superficie firme, plana y nivelada, a al menos 15 cm. (6 pulgadas) de las paredes, para obtener una circulación de aire adecuada (Fig. 1). Coloque el humidificador sobre una superficie resistente al agua, pues el agua puede dañar los muebles y ciertos tipos de piso.

Kaz no se hace responsable de los daños originados por derrames de agua.

LLENADO

- Saque el depósito sujetando el asa y tirando hacia arriba y colóquelo a un lado. (Fig. 1).
- Levante el cajetín del motor. Colóquelo a un lado (Fig. 2). Saque el filtro de la base antes de llenar el aparato con agua. Déjelo en remojo en un fregadero lleno de agua fría para ayudar a reducir la acumulación de minerales y vuelva a colocarlo en la base aún mojado. **NO RETUERZA NI ESTRUJE EL FILTRO.** Para que su filtro dure más, repita esta operación cada vez que llene su humidificador.
- Voltee el depósito de forma que la tapa de llenado quede mirando hacia arriba. Desenrosque la tapa de llenado girándola en dirección opuesta a las agujas del reloj ↺ y déjela a un lado.
- Llene el depósito con agua FRÍA del grifo (Fig. 3). No necesita usar agua destilada, a menos que la dureza del agua donde viva lo requiera para evitar la acumulación de minerales. **NO USE AGUA CALIENTE,** podría dañar el humidificador.
- Vuelva a colocar la tapa de llenado girándola en la dirección de las agujas del reloj ↻. **NO APRIETE DEMASIADO.** Vuelva a invertir el depósito para colocarlo en la posición correcta.



NOTA: Cuando mueva el depósito lleno de agua, sírvase del asa con una mano y coloque la otra bajo el depósito para sostenerlo mejor.

- Coloque el cajetín del motor sobre la base.
- Coloque el depósito en el humidificador y empuje para encajarlo en el aparato. Caerá un poco de agua en la base.
- Una vez lleno el depósito y colocado en el humidificador, no intente desplazar el humidificador. Nunca debe mover el humidificador cuando esté lleno de agua, para evitar que se derrame.



NOTA: NO VIERTA AGUA POR LA REJILLA QUE SE ENCUENTRA SOBRE EL HUMIDIFICADOR, PODRÍA DAÑARLO O CAUSAR LESIONES.

Funcionamiento en modo manual (modelos de series HCM-630)

PUESTA EN MARCHA

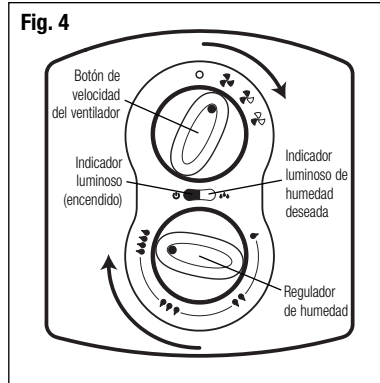


ATENCIÓN: NO ENCHUFE EL HUMIDIFICADOR CON LAS MANOS MOJADAS, PUEDE RECIBIR UN CHOQUE ELÉCTRICO.

- Apague el interruptor de marcha / parada (posición OFF) del humidificador y enchúfelo lleno de agua en una toma de corriente polarizada de 120 V. NO FUERCE EL ENCHUFE POLARIZADO PARA METERLO EN LA TOMA DE CORRIENTE. El enchufe sólo entra de una sola manera en la toma.

CONTROL DE LA HUMEDAD Y LA VELOCIDAD DEL VENTILADOR

- Ajuste la velocidad del ventilador en la posición que desee. (Fig. 4).
 - ☪ HIGH (ELEVADA) : para conseguir rápidamente el grado de humedad deseado
 - ☪ MED (NORMAL) : para el funcionamiento diario
 - ☪ LOW (BAJA) : para un funcionamiento más lento (ideal durante la noche)



- Modo continuo : el aparato funcionará ininterrumpidamente a la velocidad seleccionada hasta que lo apague o se vacíe.

NOTA: Apague el humidificador si hay demasiada humedad o si se forma condensación en las paredes o ventanas.

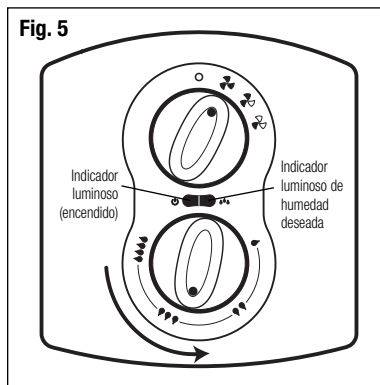
REGULADOR DE HUMEDAD ADVANCED MIST^{MC}

El regulador de humedad Advanced Mist^{MC} le permite obtener el grado de humedad que desee. El humidificador se pondrá en marcha y se parará automáticamente día y noche para mantener el grado de humedad seleccionado.

AJUSTE DEL REGULADOR DE HUMEDAD

Ponga en marcha el humidificador y seleccione el nivel de humedad y la velocidad deseados. Seguidamente, seleccione la posición HIGH del regulador de humedad Advanced Mist^{MC} girándolo completamente en el sentido de las agujas de un reloj ☞ (Fig. 4).

- Deje el humidificador funcionando a potencia elevada durante una hora como mínimo o hasta que obtenga el grado de humedad adecuado de la habitación.
- Seguidamente, gire lentamente el botón del regulador de humedad en el sentido contrario a las agujas de un reloj ☜ hasta que el humidificador se detenga y se encienda la luz del grado de humedad deseado (Desired Humidity) (Fig. 5).



- Su regulador de humedad ya está ajustado. El humidificador volverá a ponerse en marcha **automáticamente** cuando el grado de humedad de la habitación sea inferior al ajustado y se apagará **automáticamente** cuando obtenga dicho nivel.

NOTA: Si el ventilador del humidificador no se pone (o no vuelve a ponerse) en marcha una vez seleccionada una velocidad, puede que haya ajustado el regulador de humedad demasiado bajo. Gire el botón hasta el tope en el sentido de las agujas de un reloj ☞ (Fig. 4). La luz del grado de humedad deseado (Desired Humidity) se apagará cuando el humidificador esté funcionando. Cuando la luz del grado de humedad deseado se encienda, significa que ha obtenido el grado de humedad deseado.

Funcionamiento en modo EasySet™ (modelos HCM-635, HCM-645, HCM-646)

PUESTA EN MARCHA



ATENCIÓN: NO ENCHUFE EL HUMIDIFICADOR CON LAS MANOS MOJADAS, PUEDE RECIBIR UN CHOQUE ELÉCTRICO.

- Apague el interruptor de marcha / parada (posición OFF) del humidificador y enchúfelo lleno de agua en una toma de corriente polarizada de 120 V. NO FUERCE EL ENCHUFE POLARIZADO PARA METERLO EN LA TOMA DE CORRIENTE. El enchufe sólo entra de una sola manera en la toma.

ETAPA 1 : PUESTA EN MARCHA

- Prenda el humidificador (interruptor en posición ON). Su humidificador se pondrá en marcha automáticamente en modo continuo, potencia elevada (Fig. 6).
- Para apagar el humidificador, basta con volver a pulsar el interruptor (posición OFF).

ETAPA 2 : AJUSTE DE LA PRODUCCIÓN DE HUMEDAD Y DE LA VELOCIDAD DEL VENTILADOR

El ventilador de su humidificador tiene 3 velocidades que harán variar el nivel de producción de humedad:

- HIGH (ELEVADA) : para conseguir rápidamente el grado de humedad deseado.
- MED (NORMAL) : para el funcionamiento diario.
- LOW (BAJA) : para un funcionamiento más lento (ideal durante la noche).
- Pulse el botón (+) para aumentar la producción de humedad y el botón (-) para disminuirla. Los LED (diodos fotoemisores) se prenderán para indicar la velocidad seleccionada (Fig. 7).

ETAPA 3 : AJUSTE DEL NIVEL DE HUMEDAD

- Ajuste el nivel de humedad que desee entre 35 % y 55 %.
- Pulse el botón (+) para aumentar el nivel de humedad y el botón (-) para disminuirlo. Los LED se prenderán para indicar el nivel de humedad seleccionado (Fig. 8).

Por ejemplo : Si ha seleccionado el nivel de humedad a 40 %, los LED 35 % y 40 % se prenderán.

- Una vez ajustado el nivel de humedad deseado, su aparato funcionará según dicha programación hasta que lo apague o hasta que alcance el nivel de humedad.
- Cuando la habitación haya alcanzado el nivel de humedad deseado, el ventilador se detendrá automáticamente. (Sin embargo, las luces LED del nivel de humedad permanecerán prendidas.).
- El ventilador volverá a ponerse en marcha cada vez que el nivel de humedad de la habitación sea más bajo que el programado.

NOTA : el nivel de humedad de una habitación varía constantemente. Por tanto, es normal que el aparato se ponga en marcha y se detenga continuamente para mantener el nivel de humedad de la habitación durante todo el día.

Para volver al modo continuo, apague el aparato, vuelva a ponerlo en marcha y escoja el nivel de humedad deseado (véase la etapa 2).

Fig. 6

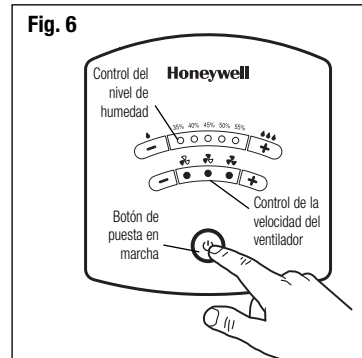


Fig. 7

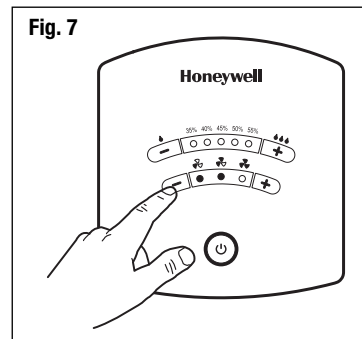
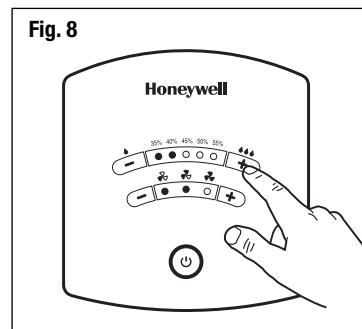


Fig. 8



Funcionamiento en modo digital EasySet^{MC} (modelo HCM-650)

PUESTA EN MARCHA



ATENCIÓN: NO ENCHUFE EL HUMIDIFICADOR CON LAS MANOS MOJADAS, PUEDE RECIBIR UN CHOQUE ELÉCTRICO.

- Apague el interruptor de marcha / parada (posición OFF) del humidificador y enchúfelo lleno de agua en una toma de corriente polarizada de 120 V. NO FUERCE EL ENCHUFE POLARIZADO PARA METERLO EN LA TOMA DE CORRIENTE

ETAPA 1 : PUESTA EN MARCHA

- Prenda el humidificador (interruptor en posición ON). Su humidificador se pondrá en marcha automáticamente en modo continuo, potencia elevada. La pantalla indicará el nivel de humedad ambiente (Fig. 9).
- Para apagar el humidificador, basta con volver a pulsar el interruptor (posición OFF).

Modo continuo: el aparato funcionará ininterrumpidamente según el nivel de humedad programado hasta que lo apague o se vacíe.

ETAPA 2 : AJUSTE DE LA PRODUCCIÓN DE HUMEDAD Y DE LA VELOCIDAD DEL VENTILADOR

El ventilador de su humidificador tiene 3 velocidades que harán variar el nivel de producción de humedad:

- ≡ HIGH (ELEVADA) : para conseguir rápidamente el grado de humedad deseado
- ≡ MED (NORMAL) : para el funcionamiento diario
- ≡ LOW (BAJA) : para un funcionamiento más lento (ideal durante la noche)

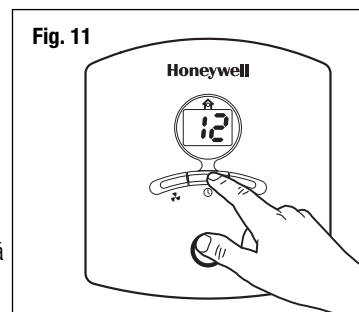
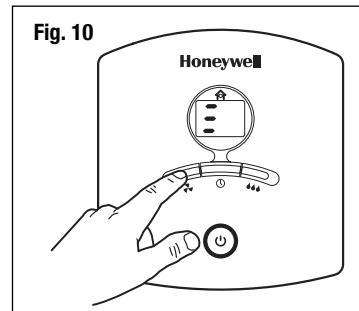
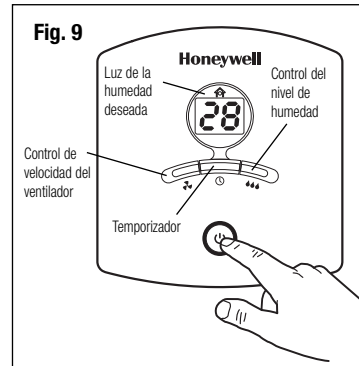
- Para cambiar la velocidad del ventilador, pulse el botón de ajuste del ventilador (↕) hacia arriba o abajo (Fig. 10).
- 3 segundos después de haber seleccionado la velocidad, la humedad ambiente volverá a aparecer en la pantalla.

NOTA: si desea cambiar o comprobar el ajuste del nivel de humedad/velocidad, basta con pulsar una vez el botón de ajuste de la velocidad del ventilador (↕) y aparecerá el nivel programado. Para cambiarlo, siga pulsando el botón hacia arriba o abajo hasta obtener el nivel deseado. Pasados 3 segundos, el nivel de humedad de la habitación volverá a aparecer en la pantalla.

ETAPA 3 : TEMPORIZADOR

- Puede ajustar el temporizador por un periodo de hasta 18 horas. No use esta función si desea que el humidificador se detenga automáticamente transcurrido cierto tiempo.
- Pulse el botón del temporizador (⌚) hacia arriba o abajo para programar el número de horas de funcionamiento del humidificador (Fig. 11).
- Cuando aparezca el tiempo deseado en la pantalla, espere 3 segundos.
- Pasados 3 segundos, el temporizador está programado y en la pantalla volverá a aparecer el nivel de humedad de la habitación.

NOTA: Para cambiar el ajuste del temporizador o comprobar cuánto tiempo queda, basta con pulsar una vez el botón del temporizador (⌚). Para modificar el tiempo que queda, vuelva a pulsar el botón del temporizador hacia arriba o abajo. 3 segundos después, la humedad ambiente volverá a aparecer en la pantalla.



Funcionamiento en modo digital EasySet^{MC} (modelo HCM-650)

ETAPA 4 : AJUSTE DEL NIVEL DE HUMEDAD

- Puede ajustar el nivel de humedad entre 25 y 65 %, grado a grado.
- Para ajustar el nivel de humedad que desee, pulse el botón del control de humedad hacia (▲▲▲)arriba o abajo (Fig. 12).
- Cuando aparezca el nivel de humedad deseado espere 3 segundos.
- Transcurridos los 3 segundos, volverá a aparecer el nivel de humedad ambiente.

NOTA : Para cambiar el ajuste del nivel de humedad o comprobar el nivel preajustado, basta con pulsar una vez el botón del control de humedad para visualizarlo. Para modificarlo, vuelva a pulsar el botón del control de humedad hacia arriba o abajo. 3 segundos después, la humedad ambiente volverá a aparecer en la pantalla.

- Una vez ajustado el nivel de humedad deseado, su aparato funcionará según dicho ajuste hasta que lo apague o hasta que alcance el nivel de humedad.
- Cuando la habitación haya alcanzado el nivel de humedad deseado, el ventilador se detendrá y se prenderá el símbolo de una casa (🏠) en la parte superior de la pantalla (Fig. 13). Permanecerá prendida hasta que baje el nivel de humedad. El ventilador volverá a ponerse en marcha.

NOTA : el nivel de humedad de una habitación varía constantemente. Por tanto, es normal que el aparato se ponga en marcha y se detenga continuamente para mantener el nivel de humedad de la habitación durante todo el día.

Fig. 12

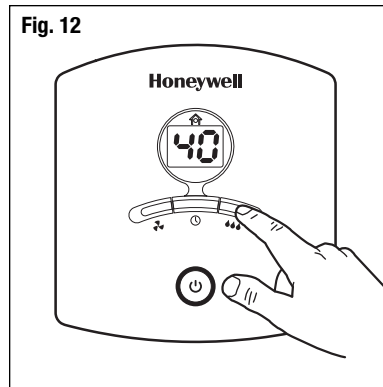
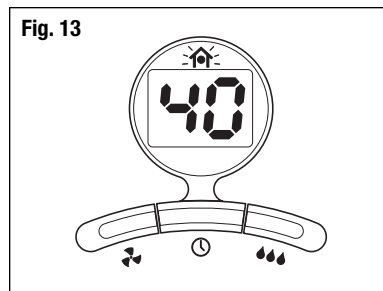
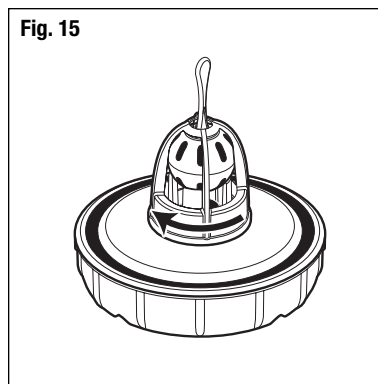
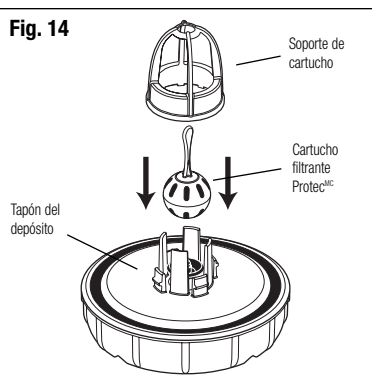


Fig. 13



Cartucho filtrante Protec^{MC}

El cartucho filtrante Protec^{MC} es eficaz durante 30 días o más, según el uso del aparato. Para instalar o cambiar el cartucho, basta con quitar el soporte del interior del tapón del depósito girándolo en el sentido contrario a las agujas de un reloj ↺. Vuelva a colocar el soporte de cartucho girándolo en el sentido de las agujas de un reloj ↻ (Fig. 14 y Fig. 15).



Limpieza

El cartucho filtrante Protec^{MC} contribuye a reducir la acumulación de minerales en el humidificador, aumentando la duración del filtro. De todas formas, debe seguir limpiando asiduamente su humidificador.

La limpieza de su humidificador debe realizarse en 2 etapas : QUITAR LAS INCRUSTACIONES y DESINFECCIÓN. Asegúrese de realizar las operaciones en el orden indicado para evitar una interacción peligrosa de los productos químicos.

- Apague y desenchufe el humidificador.
- Retire el depósito del cajetín del motor.
- **Retire el filtro de la base.**
- Bote el agua de la base.

NOTA : QUITE EL FILTRO Y EL CARTUCHO FILTRANTE PROTEC^{MC} ANTES DE LIMPIAR SU APARATO, de lo contrario destruirá el filtro.

ETAPA 1 : QUITAR LAS INCRUSTACIONES

BASE

1. Llene la base con :
 - 1 taza (250 mL) de vinagre blanco no diluido
 - o
 - el limpiador para humidificadores Honeywell®, artículo n° HAC-101, siguiendo las instrucciones que figuran en la botella.
2. Deje actuar la solución durante 20 minutos.
3. Sin quitar la solución de la base, limpie todas las superficies interiores de la base con un paño suave o un cepillo para despegar las incrustaciones.
4. Enjuague a fondo la base con agua para deshacerse de las incrustaciones y la solución limpiadora.

ETAPA 2 : DESINFECCIÓN

DEPÓSITO /BASE

1. Llene el depósito con:
 - 1 cucharadita de lejía
 - y
 - 4 litros de agua.
 Vierta un poco de esta solución en la base.
2. Deje actuar la solución durante 20 minutos.
3. Enjuague con agua hasta que el olor a lejía desaparezca.

NOTAS:

- El uso de otros productos de tratamiento del agua o productos químicos puede dañar el humidificador, disminuyendo su eficacia.
- Si al usar su humidificador observa que la sedimentación de minerales es mayor que las primeras semanas, puede que sea necesario sustituir el cartucho filtrante Protec^{MC}. Cambie el cartucho cada 30 días y asegurará una protección permanente.

Cuidado al final de la temporada y almacenamiento

- Al final de la temporada de uso, o cuando no vaya a usar el humidificador durante más de una semana, limpie el aparato siguiendo las instrucciones de la sección LIMPIEZA.
- Al final de una temporada de uso, retire y bote el filtro y el cartucho filtrante Protec^{MC}. No debe dejar un filtro usado en el humidificador cuando vaya a guardar el aparato.
- Asegúrese que todos los componentes del humidificador están secos antes de guardarlo. Vacíe completamente la base y el depósito antes de guardar el aparato.
- Coloque el humidificador en su caja original y guárdelo en un lugar fresco y seco.
- Antes de volver a usar el humidificador, recuerde que debe limpiarlo e instalar un filtro y un cartucho filtrante Protec^{MC} nuevos.

Asistencia al cliente

Envíe sus preguntas o comentarios a:

Kaz, Incorporated
Consumer Relations Dept.
250 Turnpike Road
Southborough, MA 01772
USA

Por favor especifique el número del modelo.

Llámenos al número de teléfono de llamada gratis de larga distancia: 1-800-477-0457
e-mail: consumerrelations@kaz.com

O visítenos en nuestro sitio web: www.kaz.com

Compre los filtros de recambio (número **HAC-504**) y los cartuchos filtrantes Protec^{MC}, números **PC-1** (paquete simple) y **PC-2** (paquete doble).

Características eléctricas nominales

Los modelos de la serie QuietCare^{MC} poseen las siguientes características: 120 V, 60 Hz.

NOTA: SI TIENE ALGÚN PROBLEMA, LLEVE EL HUMIDIFICADOR DONDE LO COMPRÓ O CONSULTE LA GARANTÍA. NO TRATE DE ABRIR EL HUMIDIFICADOR, ANULARÍA LA GARANTÍA Y PODRÍA CAUSAR DAÑOS O LESIONES.

PROBLEMAS


P: Puedo oír el ventilador, pero no veo bruma alguna. ¿Mi humidificador funciona correctamente?

R: El aire seco pasa por el sistema y un ventilador silencioso dispersa aire invisible y equilibrado en humedad. El aparato no produce bruma. Cuando el humidificador funciona normalmente, simplemente notará que sale aire fresco del mismo. Observe el nivel de agua del depósito. Si desciende durante un periodo de 24 horas, el humidificador funciona normalmente.


P: El humidificador lleva varias horas funcionando. Oigo el ventilador pero no veo que baje el volumen de agua del depósito.

R: En primer lugar, compruebe que el filtro está mojado. Si le parece seco, retírelo de la base y enjuáguelo delicadamente bajo el grifo de agua fría. Vuelva a colocar el filtro mojado en la base. También puede medir el nivel de humedad ambiente. Si sobrepasa el 60 %, es normal que el humidificador no produzca mucha humedad, el aire ambiente está de por sí saturado.

P: El humidificador no funciona (el ventilador está parado), pero todas o varias de las luces están prendidas. (Modelo HCM-650)

R: Si el indicador luminoso del nivel de humedad deseado (Desired Humidity) está prendido, puede que el control de humedad Advanced Mist^{MC} esté ajustado demasiado bajo. Gire completamente el botón en el sentido de las agujas de un reloj  y el aparato se pondrá en marcha.

P: He ajustado el control de humedad Advanced Mist^{MC} según las instrucciones del manual, pero el humidificador no se vuelve a poner en marcha. (Modelo HCM-650)

R: Puede que haya ajustado el botón del control de humedad demasiado bajo. Gírelo al máximo en el sentido de las agujas de un reloj , el humidificador volverá a ponerse en marcha.

P: He ajustado el control de humedad Advanced Mist^{MC} según las instrucciones del manual, pero el humidificador nunca se para. (Modelo HCM-650)

R: Puede que haya ajustado del control de humedad demasiado alto. Vuelva a ajustarlo siguiendo las instrucciones de la sección CARACTERÍSTICAS.

P: El filtro se ha descolorido, parece oxidado. ¿Debo cambiarlo?

R: Probablemente no. El filtro tiene un tratamiento antimicrobiano ProTec^{MC}, el cambio de color indica únicamente un depósito mineral. Remójelo en un lavabo lleno de agua fría para que dichos depósitos desaparezcan. Quizás siga descolorido, pero eso no afecta al buen funcionamiento del humidificador.

P: Mi humidificador no parece tan limpio como cuando lo compré y / o despidе un olor desagradable. ¿Qué hacer?

R: Probablemente necesite cambiar el cartucho antibacteriano Protec^{MC}. El cartucho ayuda a mantener limpio su humidificador más tiempo, refrescando el vapor que produce. Si ha estado usando su humidificador asiduamente más de 30 días, cambie el cartucho Protec^{MC} y siga las instrucciones de limpieza.

Garantía limitada de 3 años

Por favor, lea todas las instrucciones antes de usar este producto.

- A.** La presente garantía limitada cubre la reparación o sustitución de todo producto con un defecto de fábrica o de mano de obra por un periodo de 3 años. Esta garantía excluye los daños ocasionados por el uso comercial, abusivo o desrazonable y los daños adicionales. Tampoco se aplica al filtro ni al cartucho filtrante Protec. Los fallos resultantes del desgaste normal no se consideran defectos de fábrica en virtud de la presente garantía.

KAZ QUEDA EXENTA DE TODA RESPONSABILIDAD POR LOS DAÑOS FORTUITOS O INDIRECTOS DE CUALQUIER CLASE. CUALQUIER GARANTÍA IMPLÍCITA DE CALIDAD COMERCIAL O DE CONVENIENCIA RELACIONADA CON ESTE PRODUCTO, TENDRÁ LA MISMA VIGENCIA QUE LA PRESENTE GARANTÍA.

En ciertos lugares, no se permite la exclusión o limitación de daños fortuitos o indirectos, ni los límites de duración aplicables a una garantía implícita. Por consiguiente, es posible que estas limitaciones o exclusiones no se apliquen en su caso. Esta garantía le otorga derechos legales específicos y usted puede que tenga otros, que varían de un lugar a otro. La presente garantía sólo es válida para el comprador original del producto a partir de la fecha de compra.

- B.** A su juicio, Kaz reparará o reemplazará este producto si se considera que sus materiales o su mano de obra son defectuosos dentro del período de garantía. El producto defectuoso deberá ser devuelto al lugar de compra conforme con la política de la tienda. De allí en adelante, mientras se encuentre dentro del período de garantía, todo producto defectuoso deberá ser devuelto Kaz.

- C.** Esta garantía no cubre daños ocasionados por tentativas no autorizadas de reparar el producto o del uso del mismo en contravención de las indicaciones que aparecen en el manual de instrucciones.

- D.** Devuelva el producto defectuoso, con flete pagado y prueba de compra, junto con cheque o giro postal por \$10.00 US/\$15.50 CAN para cubrir gastos de administración, empaque de regreso y envío. Por favor incluya su nombre, dirección y un número de teléfono para comunicarse durante el día. Usted deberá pagar los costos de envío por anticipado.

Envíe a:

En los Estados Unidos:

Kaz, Incorporated
Attn: Returns Department
4755 Southpoint Drive
Memphis, TN 38118
USA

En Canada:

Kaz, Incorporated
Attn: Returns Department
510 Bronte Street South
Milton, ON L9T 2X6
Canada

Free Manuals Download Website

<http://myh66.com>

<http://usermanuals.us>

<http://www.somanuals.com>

<http://www.4manuals.cc>

<http://www.manual-lib.com>

<http://www.404manual.com>

<http://www.luxmanual.com>

<http://aubethermostatmanual.com>

Golf course search by state

<http://golfingnear.com>

Email search by domain

<http://emailbydomain.com>

Auto manuals search

<http://auto.somanuals.com>

TV manuals search

<http://tv.somanuals.com>