

Hoshizaki America, Inc.

Commercial Series Refrigerated Kitchen Equipment

Models
CR2A-FS
CR2A-HS
CF2A-FS
CF2A-HS



“A Superior Degree
of Reliability”

www.hoshizaki.com

PARTS LIST



Number: 71309
Issued: 7-14-2011

CONTENTS

Auxiliary Codes.....	3
Note About Ordering Parts	3
A. Reach-In Assembly.....	4
B. Refrigeration Circuit.....	9
CR2A-FS, CR2A-HS	9
CF2A-FS, CF2A-HS	11
C. Control Box Assembly	14
CR2A-FS, CR2A-HS	14
CF2A-FS, CF2A-HS	15
D. Door-Right Hinged.....	16
Full Solid: CR2A-FS, CF2A-FS.....	16
Half Solid: CR2A-HS	19
Half Solid: CF2A-HS.....	20
E. Door-Left Hinged	22
Full Solid: CR2A-FS, CF2A-FS.....	22
Half Solid: CR2A-HS	25
Half Solid: CF2A-HS.....	26
F. Accessories & Packaging	28

Auxiliary Codes

CR2A-FS	V-5	April 2010
	V-6	June 2010
	V-7	September 2010
	A-5	January 2011
CR2A-HS	V-5	April 2010
	V-6	June 2010
CF2A-FS	V-5	May 2010
	V-6	September 2010
	A-5	January 2011
CF2A-HS	V-5	May 2010
	V-6	September 2010

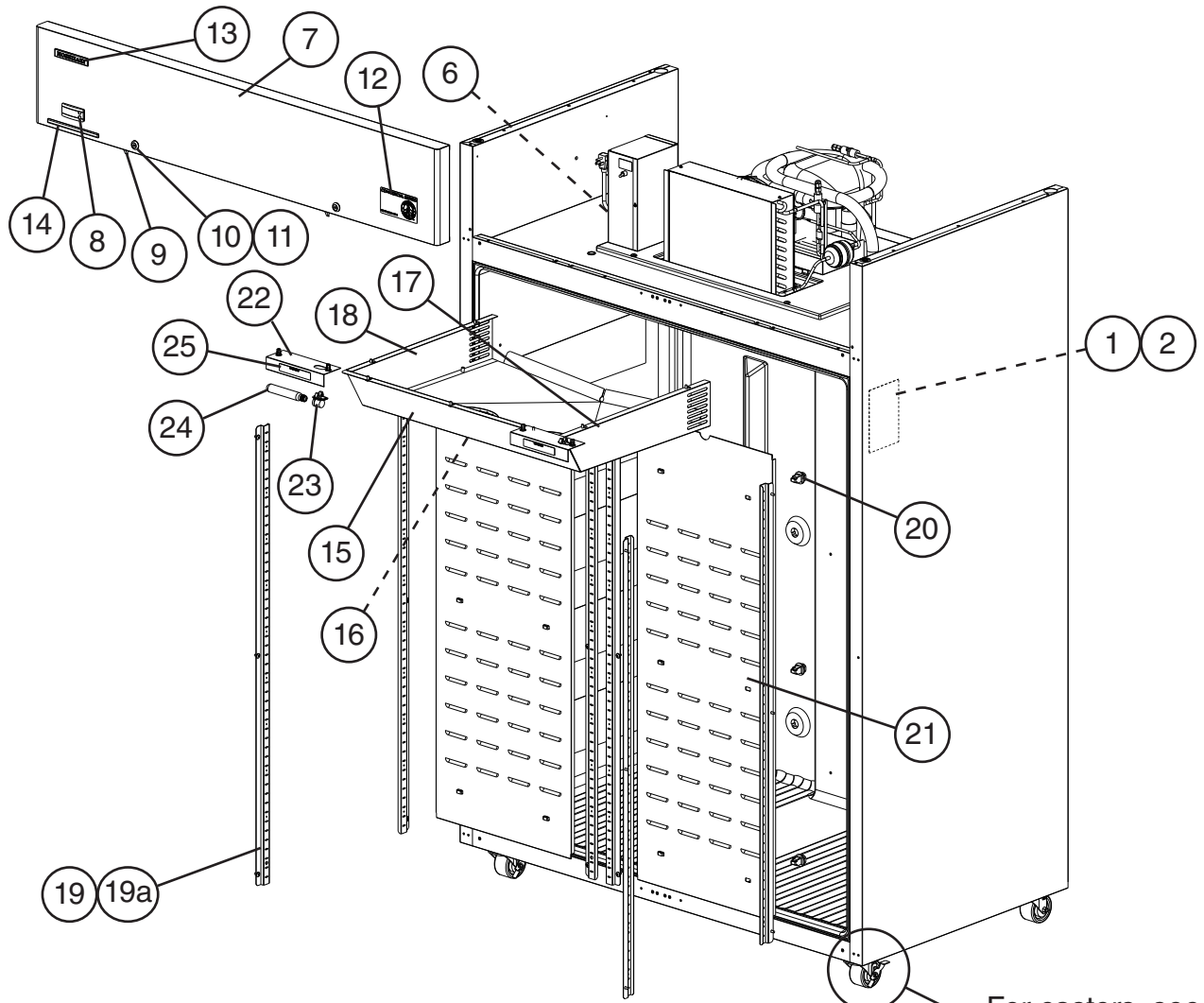
Auxiliary Code Breakdown

The auxiliary code is the first two characters in the serial number. The first character indicates the year. Years progress or regress in alphabetical order. The series runs from "A" through "V" and the letters "I" and "O" are skipped. The second character indicates significant part changes within a year. Base is "0" and this number advances for each change. In cases where there is a letter in parentheses, this designates the month. This is the last character in the serial number. The series runs from "(A)" through "(M)" and the letter "(I)" is skipped. This designation is only included when identifying a parts change within an auxiliary code.

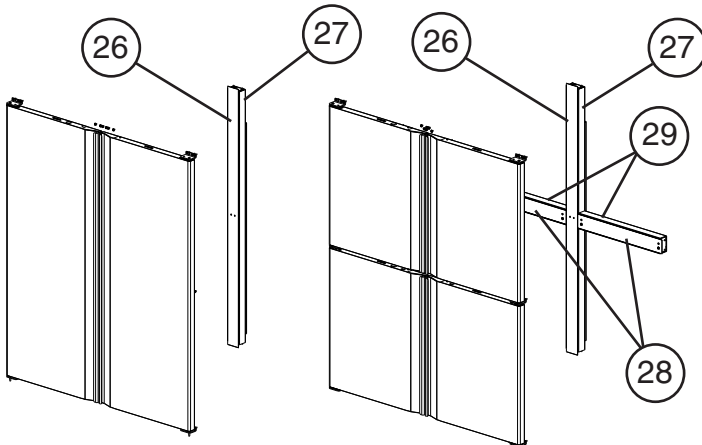
Note About Ordering Parts

Most assemblies cannot be ordered as complete units; parts in the assemblies generally must be ordered separately.

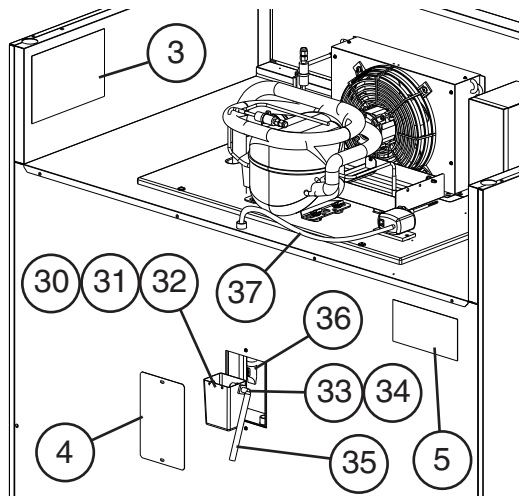
A. Reach-In Assembly
CR2A-FS, CR2A-HS, CF2A-FS, CF2A-HS
 V-5 to A-5



For casters, see section "F"



For doors, see section "D" and "E"



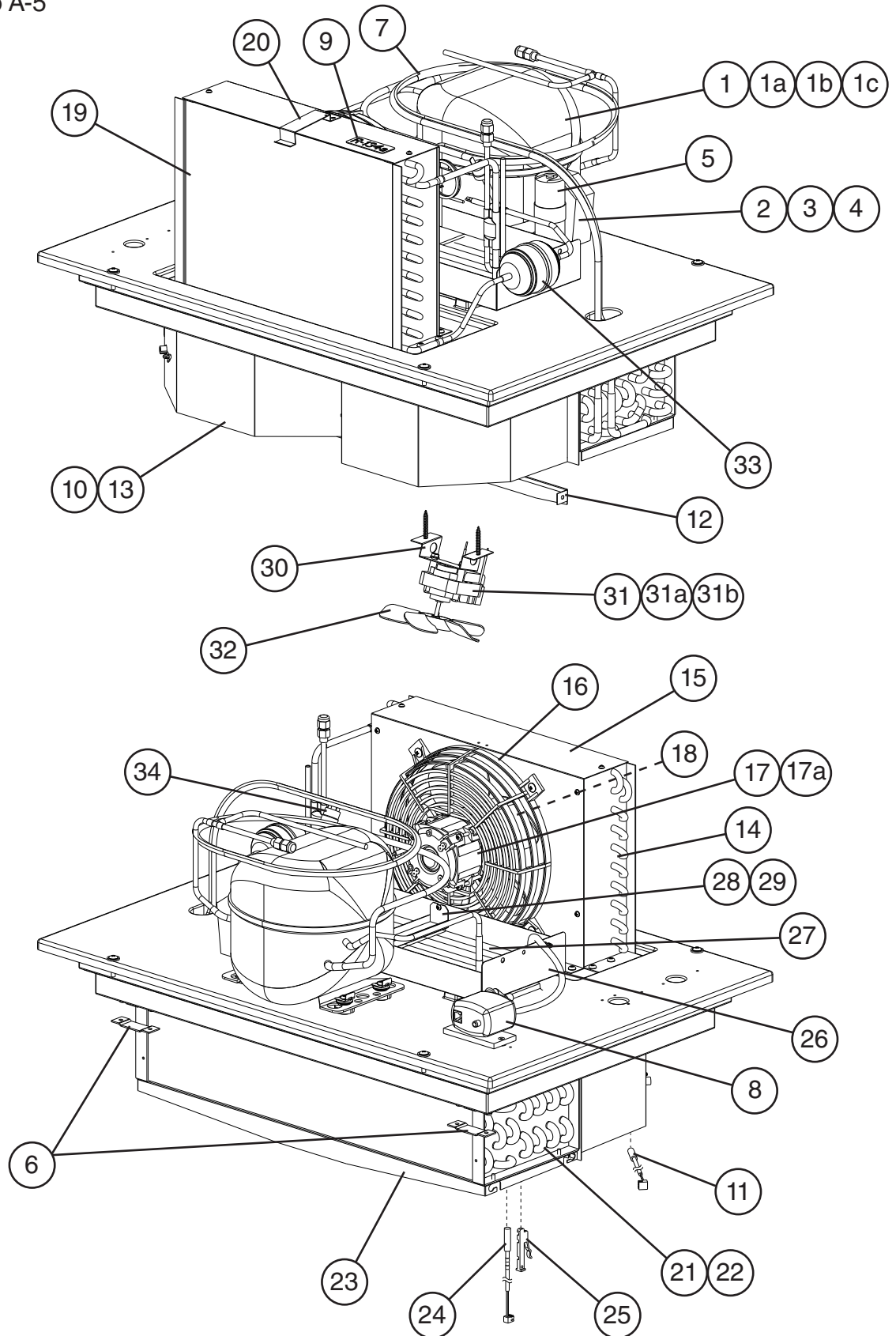
Title: A. Reach-In Assembly Models: CR2A-FS, CR2A-HS													
Index No.	Description	Material or Model Number	Part Number	Required Number									
				V-5 (D)	V-5 (E-F)	V-6 (G-H)	V-7 (J)	V-7 (K)	V-7 (L) to A-5				
Reach-In Assembly Order Assembly Parts Individually		CR2A-FS	1A1982A01	1	1	1	1	1	1	1			
		CR2A-HS	1A1987A01	1	1	1	1	1	1	1			
1	Nameplate	CR2A-FS	2A5306-05	1	1	1	1	1	1	1			
		CR2A-HS	2A5306-06	1	1	1	1	1	1	1			
2	Nameplate Cover		4A3727-01			1	1	1	1				
3	Wiring Label	Rev 4	2A5881-01	1	1	-							
		Rev 5	2A5881-01			1	1	1	1				
4	Reservoir Cover		3A5898-01	1	1	1	1	1	1	1			
5	Caution Label		4A1931-01	1	1	1	1	1	1	1			
6	Ground Screw		433304-02	1	1	1	1	1	1	1			
7	Front Panel		2A5884-01	1	1	1	1	1	1	1			
8	Display Module (includes mounting clips)		4A4862-01	1	1	1	1	1	1	1			
9	Door Switch		3A1826-01	2	2	2	2	2	2	2			
10	Door Lock (includes 2 keys and 1 of item 11)		4A4924-01	2	2	2	2	2	2	2			
11	Door Lock Cam		4A4925-01	2	2	2	2	2	2	2			
12	Commercial Label		3A5816-01	1	1	1	1	1	1	1			
13	Emblem		4A0560-01	1	1	1	1	1	1	1			
14	Air Filter Label		426177-01			1	-						
15	Evaporator Fan Shroud		3A5906G01	1	1	1	1	1	1	1			
16	Fan Guard		4A4860-01	2	2	2	2	2	2	2			
17	Right Side Evaporator Fan Shroud		3A6629G01	1	1	1	1	1	1	1			
18	Left Side Evaporator Fan Shroud		3A6638G01	1	1	1	1	1	1	1			
19	Pilaster		3A0145-22	8	8	8	8	8	8	8			
19a	Truss Head Screw	5x10, SS	7C32-0510	24	24	24	24	24	24	24			
20	Duct Stand Off		4A4874-01	12	12	12	12	12	12	12			
21	Rear Duct Panel		2A5205-01	2	2	2	2	2	2	2			
22	Light Plate		3A5496-21	2	2	2	2	2	2	2			
23	Light Socket		4A4443-01	2	2	2	2	2	2	2			
24	Light Bulb		4A4444-01	2	2	2	2	2	2	2			
25	Warning Label		4A2968-03	2	2	2	2	2	2	2			
26	Vertical Mullion Face (includes heater)		2A5906G01	1	1	1	1	1	1	1			
27	Vertical Mullion Thermal Break	CR2A-FS	2A5908G01	1	1	1	1	1	1	1			
		CR2A-HS	2A5908G02	1	1	1	1	1	1	1			
28	Horizontal Mullion Face (includes heater)	CR2A-HS	3A5910G01	2	2	2	2	2	2	2			
29	Horizontal Mullion Thermal Break	CR2A-HS	3A5951G01	2	2	2	2	2	2	2			
30	Reservoir		3A5565-01	1	1	1	1	1	1	1			
31	Float Switch Bracket		3A5560-01	1	1	1	1	V-7 (K) and later, see "Condensate Pump" in section "B"					
32	Float Switch		4A4937-01	1	1	1	1						
33	Rubber Gasket		413854-03	1	1	1	-						

Title: A. Reach-In Assembly Models: CR2A-FS, CR2A-HS												
Index No.	Description	Material or Model Number	Part Number	Required Number								
				V-5 (D)	V-5 (E-F)	V-6 (G-H)	V-7 (J)	V-7 (K)	V-7 (L) to A-5			
34	Drain Fitting		4A2792-01	1	1	1	1	1	1			
35	Silicone Hose	L=150	7730I3812	1	1	1	1	1	1			
36	Drain Boot		4A4938-01		1	1	1	1	1			
37	PVC Tubing	L=860	7716I1438					1	1			

Title: A. Reach-In Assembly Models: CF2A-FS, CF2A-HS													
Index No.	Description	Material or Model Number	Part Number	Required Number							V-6 (L) to A-5		
				V-5	V-5 (E-F)	V-5 (G)	V-5 (H)	V-6	V-6 (K)				
Reach-In Assembly		CF2A-FS	1A2017A01	1	1	1	1	1	1	1			
Order Assembly Parts Individually		CF2A-HS	1A2032A01	1	1	1	1	1	1	1			
1	Nameplate	CF2A-FS	2A5306-07	1	1	1	1	1	1	1			
		CF2A-HS	2A5306-08	1	1	1	1	1	1	1			
2	Nameplate Cover		4A3727-01			1	1	1	1	1			
3	Wiring Label	Rev 0	2A6010-01	1	1	1	-						
		Rev 1	2A6010-01				1	1	1	1			
4	Reservoir Cover		3A5898-01	1	1	1	1	1	1	1			
5	Caution Label		4A1931-01	1	1	1	1	1	1	1			
6	Ground Screw		433304-02	1	1	1	1	1	1	1			
7	Front Panel		2A5884-01	1	1	1	1	1	1	1			
8	Display Module (includes mounting clips)		4A4862-01	1	1	1	1	1	1	1			
9	Door Switch		3A1826-01	2	2	2	2	2	2	2			
10	Door Lock (includes 2 keys and 1 of item 11)		4A4924-01	2	2	2	2	2	2	2			
11	Door Lock Cam		4A4925-01	2	2	2	2	2	2	2			
12	Commercial Label		3A5816-02	1	1	1	1	1	1	1			
13	Emblem		4A0560-01	1	1	1	1	1	1	1			
14	Air Filter Label		426177-01			1	1	-					
15	Evaporator Fan Shroud		3A5906G01	1	1	1	-						
			3A6212G01				1	1	1	1			
16	Fan Guard		4A4860-01	2	2	2	3	3	3	3			
17	Right Side Evaporator Fan Shroud		3A6629G01	1	1	1	1	1	1	1			
18	Left Side Evaporator Fan Shroud		3A6638G01	1	1	1	1	1	1	1			
19	Pilaster		3A0145-22	8	8	8	8	8	8	8			
19a	Truss Head Screw	5x10, SS	7C32-0510	24	24	24	24	24	24	24			
20	Duct Stand Off		4A4874-01	12	12	12	12	12	12	12			
21	Rear Duct Panel		2A5205-01	2	2	2	2	2	2	2			
22	Light Plate		3A5496-21	2	2	2	2	2	2	2			
23	Light Socket		4A4443-01	2	2	2	2	2	2	2			
24	Light Bulb		4A4444-01	2	2	2	2	2	2	2			
25	Warning Label		4A2968-03	2	2	2	2	2	2	2			
26	Vertical Mullion Face (includes heater)		2A5906G01	1	1	1	1	1	1	1			
27	Vertical Mullion Thermal Break	CF2A-FS	2A5908G01	1	1	1	1	1	1	1			
		CF2A-HS	2A5908G02	1	1	1	1	1	1	1			
28	Horizontal Mullion Face (includes heater)	CF2A-HS	3A5910G01	2	2	2	2	2	2	2			
29	Horizontal Mullion Thermal Break	CF2A-HS	3A5951G01	2	2	2	2	2	2	2			
30	Reservoir		3A5565-01	1	1	1	1	1	1	1			
31	Float Switch Bracket		3A5560-01	1	1	1	1	1			V-6 (K) and later, see "Condensate Pump" in section "B"		
32	Float Switch		4A4937-01	1	1	1	1	1					

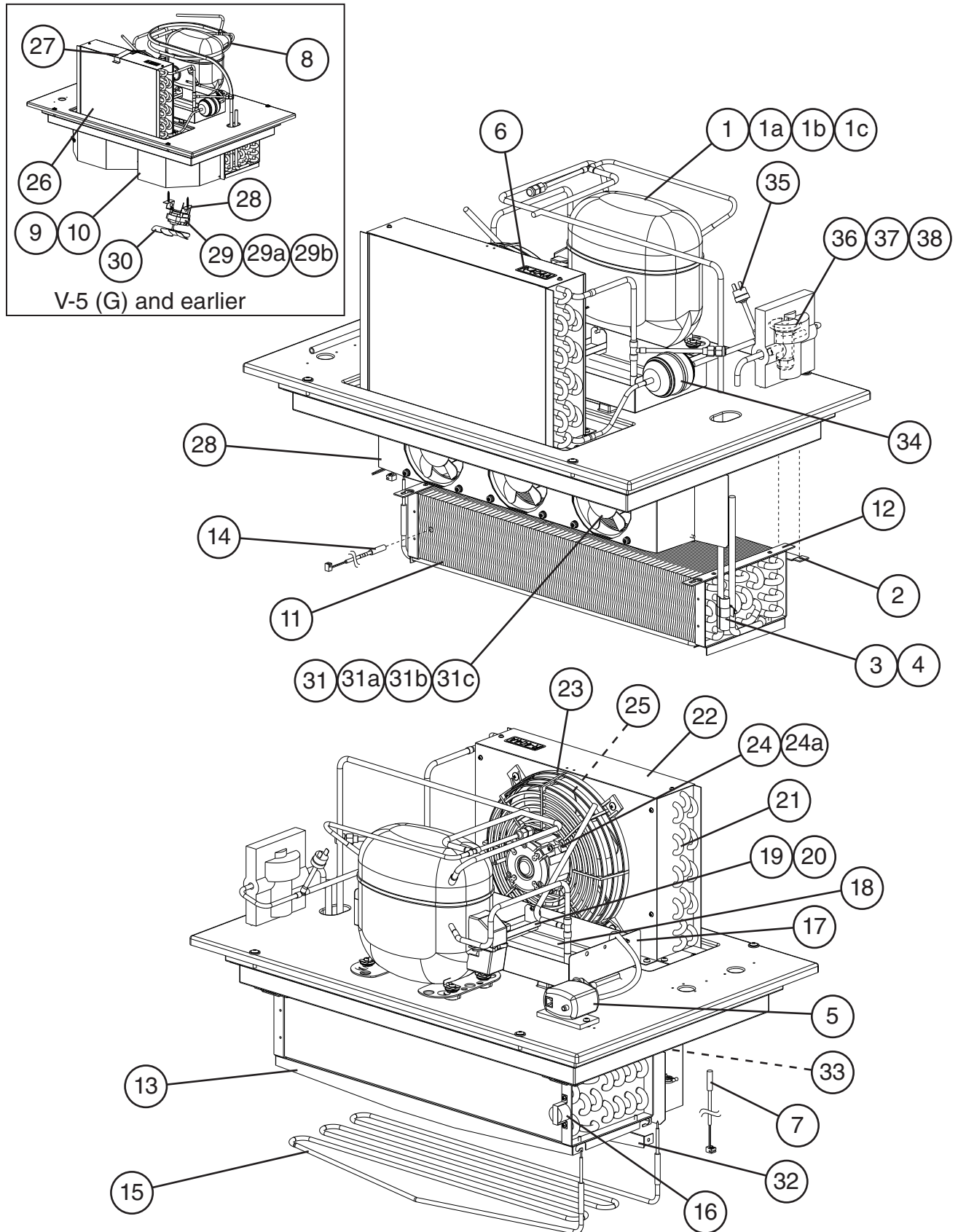
Title: A. Reach-In Assembly Models: CF2A-FS, CF2A-HS													
Index No.	Description	Material or Model Number	Part Number	Required Number							V-6 (L) to A-5		
				V-5	V-5 (E-F)	V-5 (G)	V-5 (H)	V-6	V-6 (K)				
33	Rubber Gasket		413854-03	1	1	1	1	-					
34	Drain Fitting		4A2792-01	1	1	1	1	1	1	1			
35	Silicone Hose	L=150	773013812	1	1	1	1	1	1	1			
36	Drain Boot		4A4938-01		1	1	1	1	1	1			
37	PVC Tubing	L=860	771611438						1	1			

B. Refrigeration Circuit
CR2A-FS, CR2A-HS
 V-5 to A-5



Title: B. Refrigeration Circuit Model: CR2A-FS, CR2A-HS										
Index No.	Description	Material or Model Number	Part Number	Required Number						
				V-5	V-6	V-7 (J)	V-7 (K) to A-5			
	Refrigeration Circuit Order Assembly Parts Individually		1A1978A01	1	1	1	1			
1	Compressor		4A2131-01	1	1	1	1			
1a	Rubber Grommet		4A1452-01	4	4	4	4			
1b	Compressor Clip		4A4867-01	4	4	4	4			
1c	Screw		4A4993-01	4	4	4	4			
2	Terminal Cover		4A2141-01	1	1	1	1			
3	Start Relay		4A2135-02	1	1	1	1			
4	Cord Relief		4A2152-01	2	2	2	2			
5	Start Capacitor	410MFD, 125/165VAC	4A2134-02	1	1	1	1			
6	Evaporator Mount Bracket		3A5493-01	2	2	2	2			
7	Heat Exchanger		2A5892G01	1	1	1	1			
8	Condensate Pump (includes float switch)		HS-3728	1	1	1	-			
			3A6339G01				1			
9	R134a Label		444463-01	1	1	1	1			
10	Evaporator Fan Shroud		1A1986-01	1	1	1	1			
11	Cabinet Thermistor		4A4864-01	1	1	1	1			
12	Evaporator Shroud		3A5902-01	1	1	1	1			
13	Evaporator Fan Shroud Divider		3A6024-01	1	1	1	1			
14	Condenser		2A5862-01	1	1	1	1			
15	Condenser Shroud		3A6630G01	1	1	1	1			
16	Condenser Fan Guard		2A5187-01	1	1	1	1			
17	Condenser Fan Motor		4A4869-01	1	1	1	1			
17a	Self-Locking Nut		7N2110832	4	4	4	4			
18	Condenser Fan Blade		3A5817-01	1	1	1	1			
19	Air Filter		3A0277-05	1	1	-				
20	Air Filter Retainer		4A0790-02	1	1	-				
21	Evaporator		2A5861-01	1	1	1	1			
22	Evaporator Bracket		3A5492-01	2	2	2	2			
23	Evaporator Drain Bracket		3A5903-01	1	1	1	1			
24	Defrost Thermistor		4A4865-01	1	1	1	1			
25	Thermistor Tie Clip		4A3248G01	1	1	1	1			
26	Condensate Pan		2A5218-02	1	1	1	1			
27	Condensate Coil		3A5598-02	1	1	1	1			
28	Condensate Coil Strap		3A5672-01	1	1	1	1			
29	Condensate Coil Gasket		4A0455-04	1	1	1	1			
30	Evaporator Fan Bracket		4A4935-01	1	1	1	1			
31	Evaporator Fan Motor		4A4942-01	1	1	1	1			
31a	Split Lock Washer		7L2210832	2	2	2	2			
31b	Hex Nut		7N0210832	2	2	2	2			
32	Evaporator Fan Blade		4A4943-01	1	1	1	1			
33	Drier		4A0924-01	1	1	1	1			
34	High-Pressure Switch		4A2516-01		1	1	1			

B. Refrigeration Circuit CF2A-FS, CF2A-HS V-5 to A-5



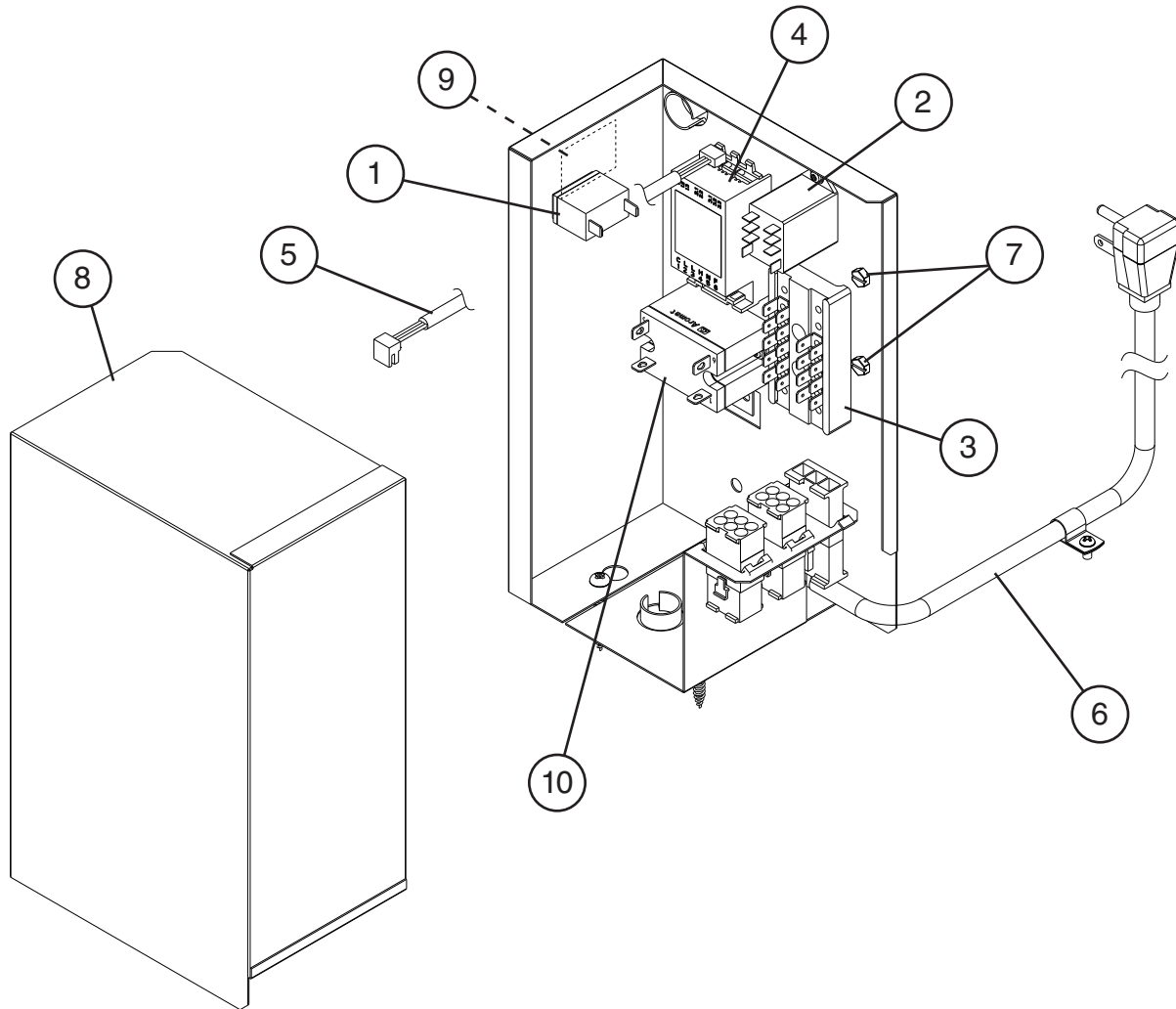
Title: B. Refrigeration Circuit Model: CF2A-FS, CF2A-HS														
Index No.	Description	Material or Model Number	Part Number	Required Number										
				V-5	V-5 (H)	V-6	V-6 (K) to A-5							
Refrigeration Circuit Order Assembly Parts Individually			1A2019A01	1	1	1	1							
1	Compressor		4A3815-01	1	1	1	1							
1a	Rubber Grommet		4A1452-01	4	4	4	4							
1b	Compressor Clip		4A4867-01	4	4	4	4							
1c	Screw		4A4993-01	4	4	4	4							
2	Evaporator Mount Bracket		3A5493-01	2	2	2	2							
3	Expansion Valve Bulb Holder		3A0107-01	1	1	1	1							
4	Clamp		443461-01	1	1	1	1							
5	Condensate Pump (includes float switch)		HS-3728	1	1	1	-							
			3A6339G01				1							
6	R404A Label		4A0960-01	1	1	1	1							
7	Cabinet Thermistor		4A4864-01	1	1	1	1							
8	Heat Exchanger		2A6000G01	1	-									
9	Evaporator Fan Shroud		1A1986-01	1	-									
10	Evaporator Fan Shroud Divider		3A6024-01	1	-									
11	Evaporator		2A5861-01	1	1	1	1							
12	Evaporator Bracket		3A5492-01	2	2	2	2							
13	Evaporator Drain Bracket		3A5903-01	1	1	1	1							
14	Defrost Thermistor		4A4865-01	1	1	1	1							
15	Defrost Heater		2A5991-01	1	1	1	1							
16	Defrost Thermostat		4A0954-02	1	1	1	1							
17	Condensate Pan		2A5218-02	1	1	1	1							
18	Condensate Coil		3A6464G01	1	1	1	1							
19	Condensate Coil Strap		3A5672-01	1	1	1	1							
20	Condensate Coil Gasket		4A0455-04	1	1	1	1							
21	Condenser		2A5902-01	1	1	1	1							
22	Condenser Shroud		3A6630G01	1	1	1	1							
23	Condenser Fan Guard		2A5187-01	1	1	1	1							
24	Condenser Fan Motor		4A4869-01	1	1	1	1							
24a	Self-Locking Nut		7N2110832	4	4	4	4							
25	Condenser Fan Blade		3A5817-01	1	1	1	1							
26	Air Filter		3A0277-05	1	1	-								
27	Air Filter Retainer		4A0790-02	1	1	-								
28	Evaporator Fan Bracket		4A4935-01	2	-									
			2A6173-01		1	1	1							
29	Evaporator Fan Motor		4A4942-01	2	-									
29a	Split Lock Washer		7L2210832	4	-									
29b	Hex Nut		7N0210832	4	-									
30	Fan Blade		4A4943-01	2	-									
31	Evaporator Fan		4R2813-01		3	3	3							
31a	Flat Washer		7W22-0400		12	12	12							
31b	Split Lock Washer		7L22-0400		12	12	12							
31c	T2 Screw		7P32-0412		12	12	12							
32	Evaporator Shroud		3A5902-01	1	1	1	1							

Title: B. Refrigeration Circuit Model: CF2A-FS, CF2A-HS											
Index No.	Description	Material or Model Number	Part Number	Required Number							
				V-5	V-5 (H)	V-6	V-6 (K) to A-5				
33	Ground Screw		433304-02		1	1	1				
34	Drier		4A0924-01	1	1	1	1				
35	High-Pressure Switch		4A2516-02	1	1	1	1				
36	Expansion Valve		4A5161-01		1	1	1				
37	Expansion Valve Cover A		3A0372-01		1	1	1				
38	Expansion Valve Cover B		3A0372-02		1	1	1				

C. Control Box Assembly

CR2A-FS, CR2A-HS

V-5 to A-5

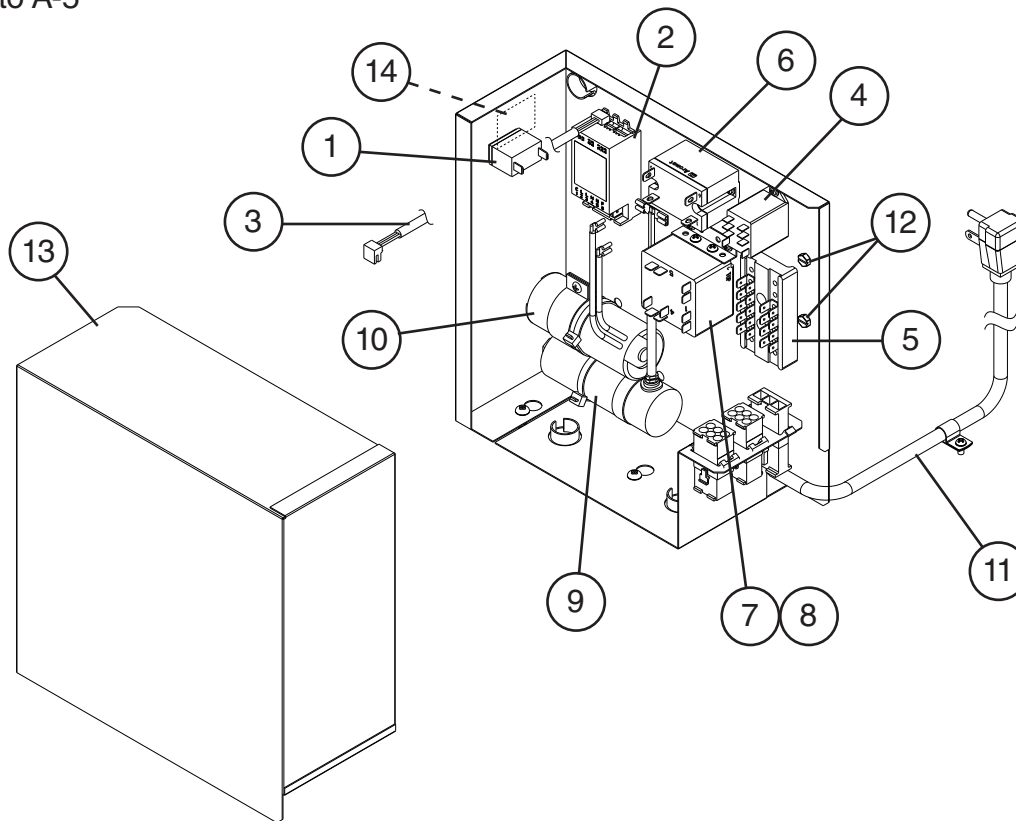


Title: C. Control Box Assembly		Model: CR2A-FS, CR2A-HS		Required Number							
Index No.	Description	Material or Model Number	Part Number	V-5	V-6 to A-5						
Control Box Assembly			2A5903A01	1	-						
Order Assembly Parts Individually			2A6115A01		1						
1	Power Switch		4A0424-01	1	1						
2	Door Switch Relay		418271-03	1	1						
3	Terminal Block		4A2619-01	1	1						
4	Control Module (includes mounting nut)		4A4861-03	1	1						
5	Display Cable		4A4863-01	1	1						
6	Power Cord		4A0520-01	1	1						
7	Ground Screw		433304-02	2	2						
8	Control Box Cover		2A5209-01	1	1						
9	Power Switch Label		4A2196-01	1	1						
10	Compressor Relay		4A1307-01		1						

C. Control Box Assembly

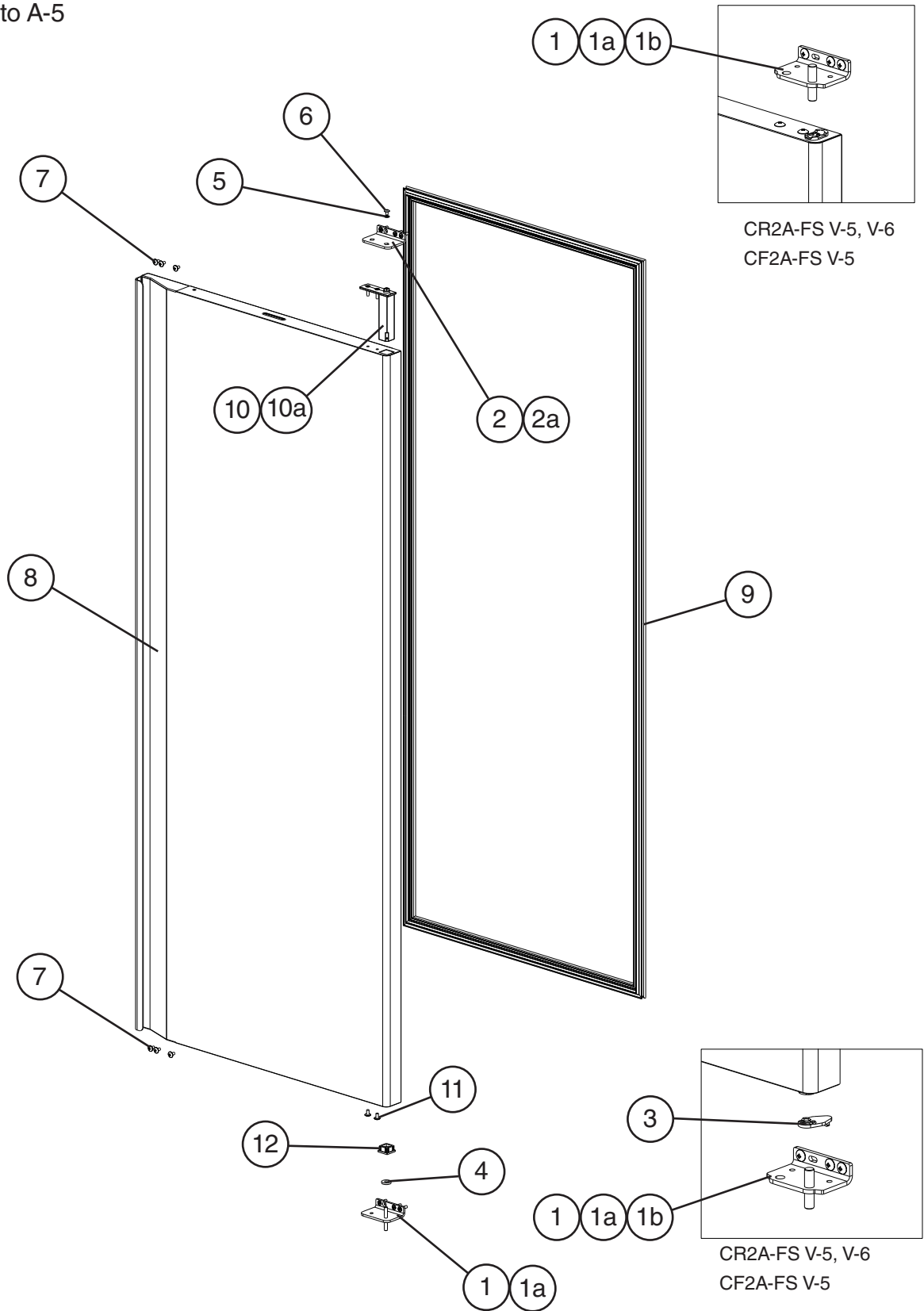
CF2A-FS, CF2A-HS

V-5 to A-5



Title: C. Control Box Assembly Model: CF2A-FS, CF2A-HS				Required Number									
Index No.	Description	Material or Model Number	Part Number	V-5	V-5 (F)	V-5 (G)	V-5 (H) to A-5						
Control Box Assembly			2A6007A01	1	1	1	-						
Order Assembly Parts Individually			2A6195A01				1						
1	Power Switch		4A0424-01	1	1	1	1						
2	Control Module (includes mounting nut)		4A5101-02	1	1	1	1						
3	Display Cable		4A4863-01	1	1	1	1						
4	Door Switch Relay		418271-03	1	1	1	1						
5	Terminal Block		4A2619-01	1	1	1	1						
6	Compressor Relay		4A1307-01	1	1	1	1						
7	Relay Bracket		4A5207-01				1						
8	Start Relay		4A3683-01	1	1	1	1						
9	Run Capacitor	23.5MFD, 280VAC	4A4208-01				1						
10	Start Capacitor	410MFD, 125/165VAC	4A2134-02	1	1	1	1						
11	Power Cord		4A0520-01	1	1	1	1						
12	Ground Screw		433304-02	1	1	2	2						
13	Control Box Cover		2A5209-01	1	1	1	-						
			2A6176-01				1						
14	Power Switch Label		4A2196-01	1	1	1	1						

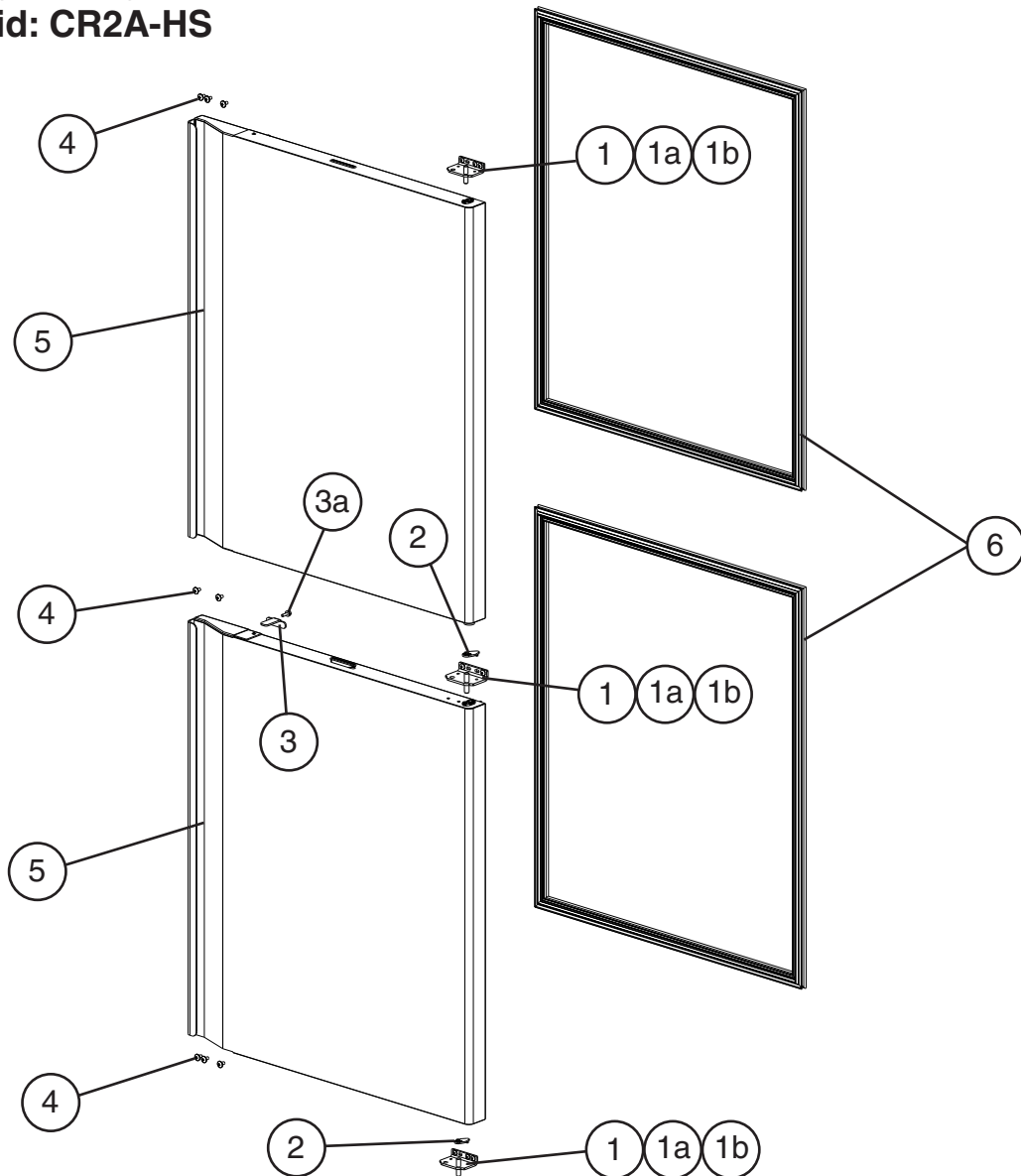
D. Door-Right Hinged
Full Solid: CR2A-FS, CF2A-FS
 V-5 to A-5



Title: D. Door-Right Hinged Model: Full Solid: CR2A-FS											
Index No.	Description	Material or Model Number	Part Number	Required Number							
				V-5	V-6	V-7 A-5					
Door-Right Hinged; Full Solid Order Assembly Parts Individually			2A5221A01	1	1	-					
			2A6257A01			1					
1	Hinge Bracket (R)		3A5542G01	2	2	-					
			3A6250G01			1					
1a	Truss Head Screw	5x10, SS	7C32-0510	6	6	-					
	Countersunk Screw	5x20, SS	7C42-0520			3					
1b	Split Lock Washer	M5, SS	7L22-0500		6	-					
2	Hinge Bracket		3A6249-01			1					
2a	Countersunk Screw	5x20, SS	7C42-0520			3					
3	Hinge Collar		339948-01	1	1	-					
4	Thrust Washer		4A5234-01			1					
5	Lock Washer		4A5231-01			1					
6	Screw		4A5230-01			1					
7	Truss Head Screw (filler screws)	5x10, SS	7C32-0510	8	8	8					
8	Door Assembly (R) (includes items 9 through 12)		2A5220G01	1	1	-					
			2A6258G01			1					
9	Door Gasket		2A5192-01	1	1	1					
10	Hinge Cartridge		3A6258-01			1					
10a	Countersunk Screw	5x20, SS	7C42-0520			2					
11	Truss Head Screw (filler screws)	5x10, SS	7C32-0510			2					
12	Bearing		4A5232-01			1					

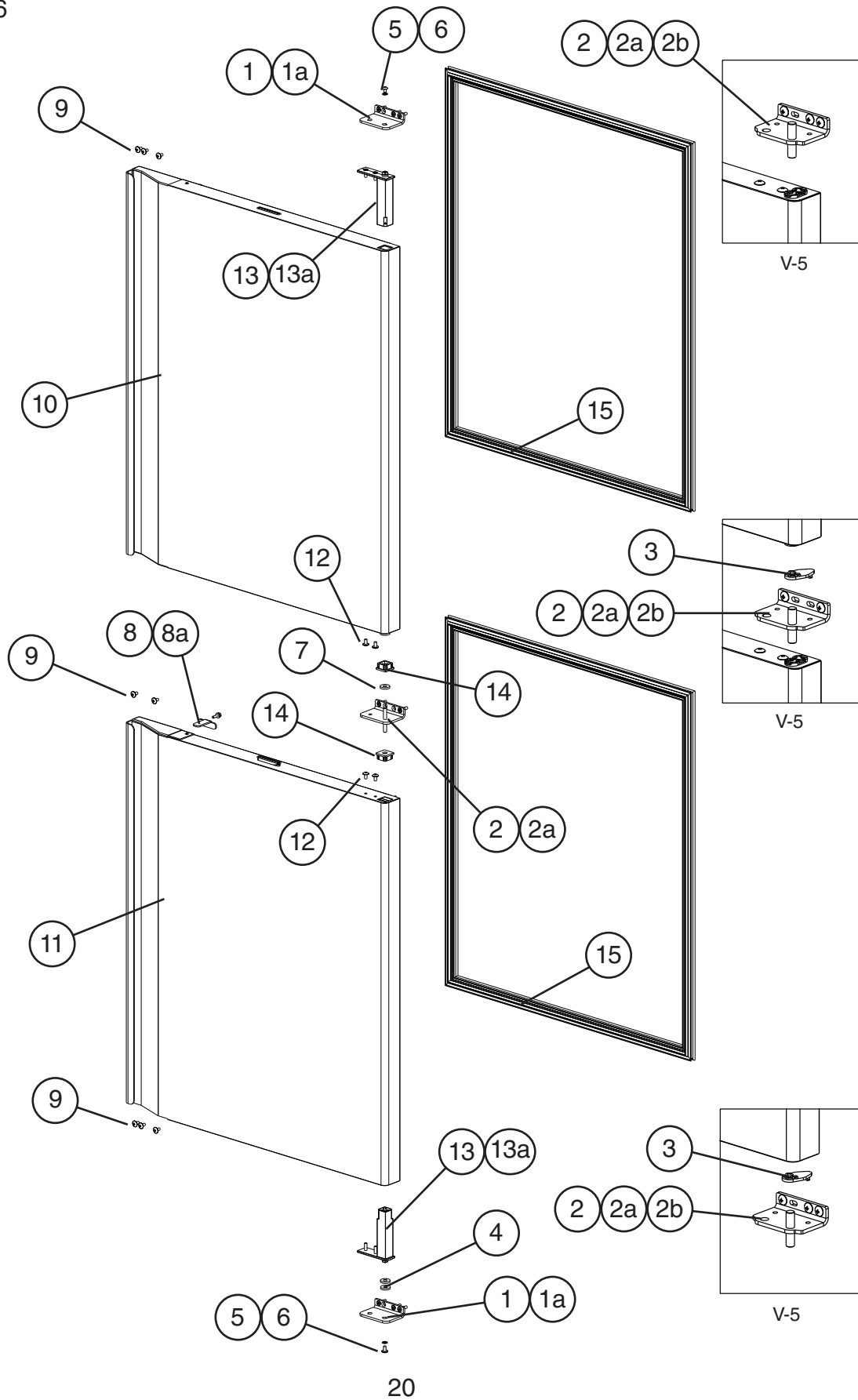
Title: D. Door-Right Hinged Model: Full Solid: CF2A-FS											
Index No.	Description	Material or Model Number	Part Number	Required Number							
				V-5	V-5 (F)	V-6 A-5					
Door-Right Hinged; Full Solid Order Assembly Parts Individually			2A5221A01	1	1	-					
			2A6257A01			1					
1	Hinge Bracket (R)		3A5542G01	2	2	-					
			3A6250G01			1					
1a	Truss Head Screw	5x10, SS	7C32-0510	6	6	-					
	Countersunk Screw	5x20, SS	7C42-0520			3					
1b	Split Lock Washer	M5, SS	7L22-0500		6	-					
2	Hinge Bracket		3A6249-01			1					
2a	Countersunk Screw	5x20, SS	7C42-0520			3					
3	Hinge Collar		339948-01	1	1	-					
4	Thrust Washer		4A5234-01			1					
5	Lock Washer		4A5231-01			1					
6	Screw		4A5230-01			1					
7	Truss Head Screw (filler screws)	5x10, SS	7C32-0510	8	8	8					
8	Door Assembly (R) (includes items 9 through 12)		2A5220G01	1	1	-					
			2A6258G01			1					
9	Door Gasket		2A5192-01	1	1	1					
10	Hinge Cartridge		3A6258-01			1					
10a	Countersunk Screw	5x20, SS	7C42-0520			2					
11	Truss Head Screw (filler screws)	5x10, SS	7C32-0510			2					
12	Bearing		4A5232-01			1					

D. Door-Right Hinged
Half Solid: CR2A-HS
 V-5, V-6



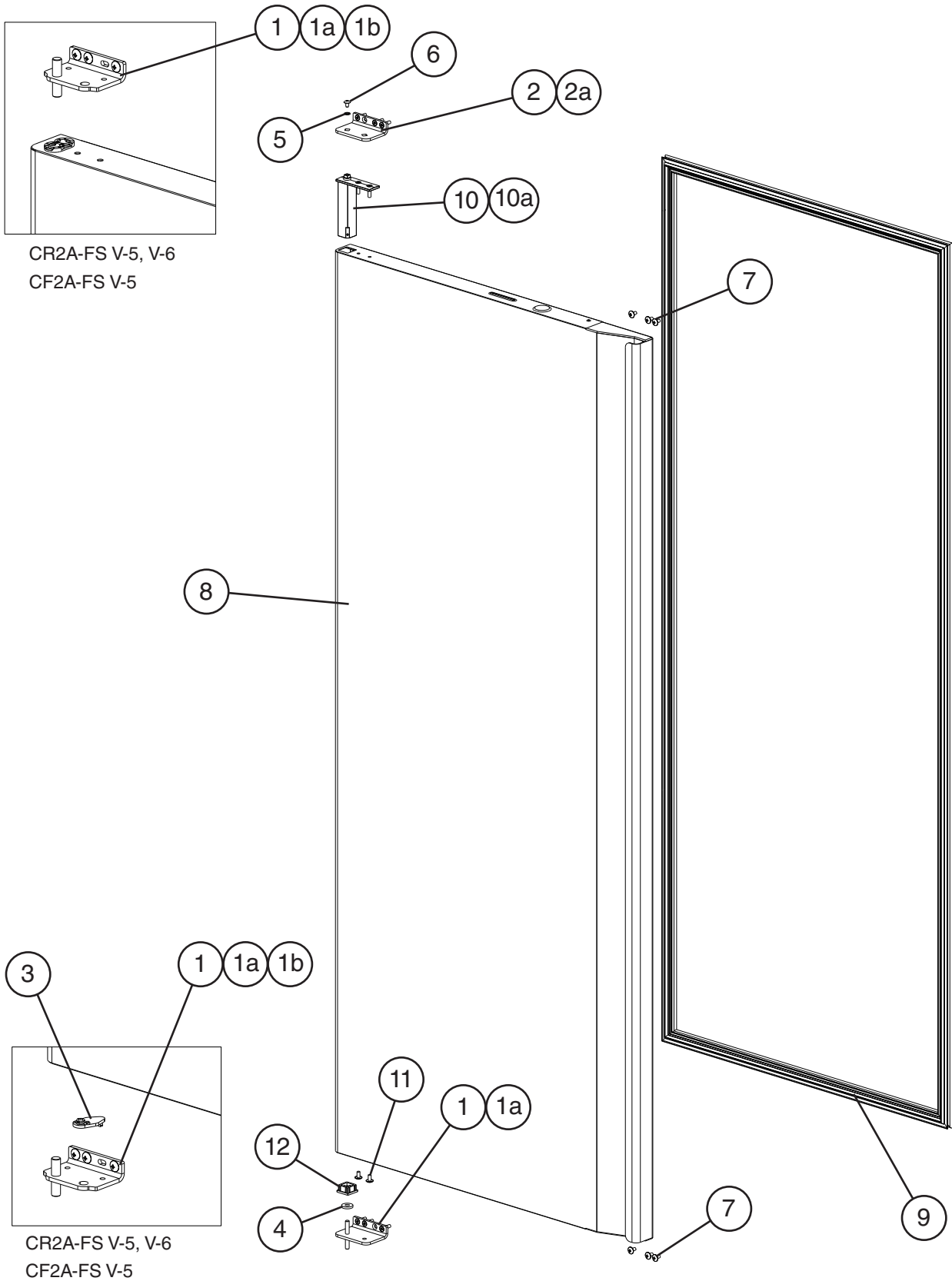
Title: D. Door-Right Hinged Model: Half Solid: CR2A-HS										
Index No.	Description	Material or Model Number	Part Number	Required Number						
				V-5	V-5 (E)	V-6				
Door-Right Hinged; Half Solid			2A5223A01	1	1	1				
Order Assembly Parts Individually										
1	Hinge Bracket		3A5542G01	3	3	3				
1a	Truss Head Screw	5x10, SS	7C32-0510	8	8	8				
1b	Split Lock Washer	M5, SS	7L22-0500			8				
2	Hinge Collar		339948-01	2	2	2				
3	Half Door Lock		4A4934-01	1	1	1				
3a	Bolt		449879-08		1	1				
4	Truss Head Screw (filler screws)	5x10, SS	7C32-0510	8	8	8				
5	Door Assembly (includes half the quantity of item 6)		2A5222G01	2	2	2				
6	Door Gasket		2A5192-02	2	2	2				

**D. Door-Right Hinged
Half Solid: CF2A-HS**
V-5, V-6



Title: D. Door-Right Hinged Model: Half Solid: CF2A-HS										
Index No.	Description	Material or Model Number	Part Number	Required Number						
				V-5	V-5 (E)	V-5 (F)	V-6			
Door-Right Hinged; Half Solid Order Assembly Parts Individually			2A5223A01	1	1	1	-			
			2A6251A01				1			
1	Hinge Bracket		3A6249-01				2			
1a	Countersunk Screw	5x20, SS	7C42-0520				6			
2			3A5542G01	3	3	3	-			
			3A6250G01				1			
2a			7C32-0510	8	8	8	-			
			7C42-0520				2			
2b	Split Lock Washer	M5, SS	7L22-0500			8	-			
3	Hinge Collar		339948-01	2	2	2	-			
4	Thrust Washer		4A5233-01				2			
5	Lock Washer		4A5231-01				2			
6	Screw		4A5230-01				2			
7	Thrust Washer		4A5234-01				1			
8			4A4934-01	1	1	1	-			
			4A5249-01				1			
8a	Bolt		449879-08	1	1	1	1			
9	Truss Head Screw (filler screws)	5x10, SS	7C32-0510	8	8	8	8			
10			2A5222G01	1	1	1	-			
			2A6252G01				1			
11			2A5222G01	1	1	1	-			
			2A6253G01				1			
12	Truss Head Screw (filler screws)	5x10, SS	7C32-0510				4			
13	Hinge Cartridge		3A6258-01				2			
13a	Countersunk Screw	5x20, SS	7C42-0520				4			
14	Bearing		4A5232-01				2			
15	Door Gasket		2A5192-02	2	2	2	2			

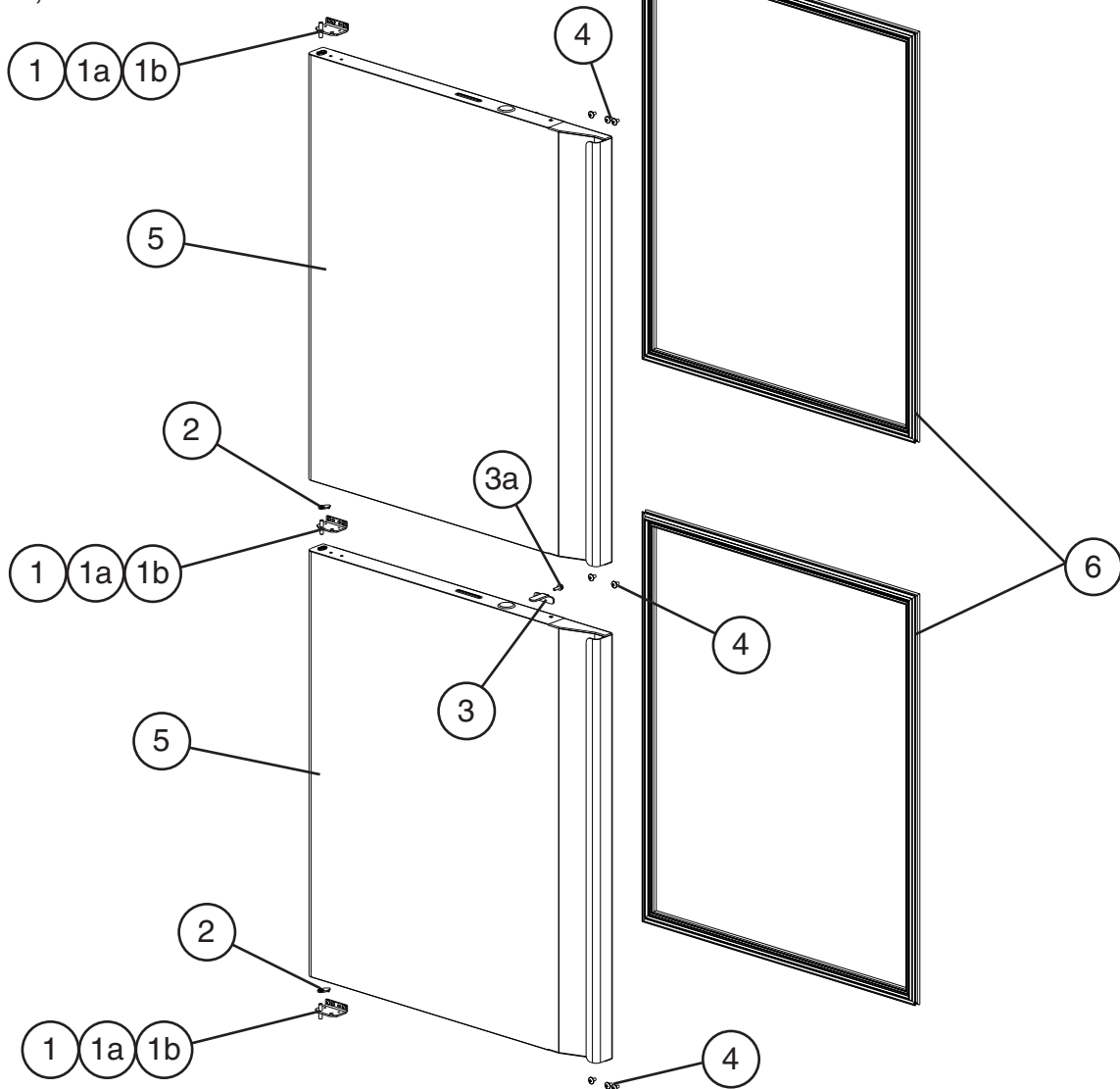
E. Door-Left Hinged
Full Solid: CR2A-FS, CF2A-FS
 V-5 to A-5



Title: E. Door-Left Hinged Model: Full Solid: CR2A-FS											
Index No.	Description	Material or Model Number	Part Number	Required Number							
				V-5	V-6	V-7 A-5					
Door-Left Hinged; Full Solid Order Assembly Parts Individually			2A5445A01	1	1	-					
			2A6263A01			1					
1	Hinge Bracket (L)		3A5542G02	2	2	-					
			3A6250G02			1					
1a	Truss Head Screw	5x10, SS	7C32-0510	6	6	-					
	Countersunk Screw	5x20, SS	7C42-0520			3					
1b	Split Lock Washer	M5, SS	7L22-0500		6	-					
2	Hinge Bracket		3A6249-01			1					
2a	Countersunk Screw	5x20, SS	7C42-0520			3					
3	Hinge Collar		339948-01	1	1	-					
4	Thrust Washer		4A5234-01			1					
5	Lock Washer		4A5231-01			1					
6	Screw		4A5230-01			1					
7	Truss Head Screw (filler screws)	5x10, SS	7C32-0510	8	8	8					
8	Door Assembly (L) (includes items 9 through 12)		2A5220G01	1	1	-					
			2A6264G01			1					
9	Door Gasket		2A5192-01	1	1	1					
10	Hinge Cartridge		3A6258-01			1					
10a	Countersunk Screw	5x20, SS	7C42-0520			2					
11	Truss Head Screw (filler screws)	5x10, SS	7C32-0510			2					
12	Bearing		4A5232-01			1					

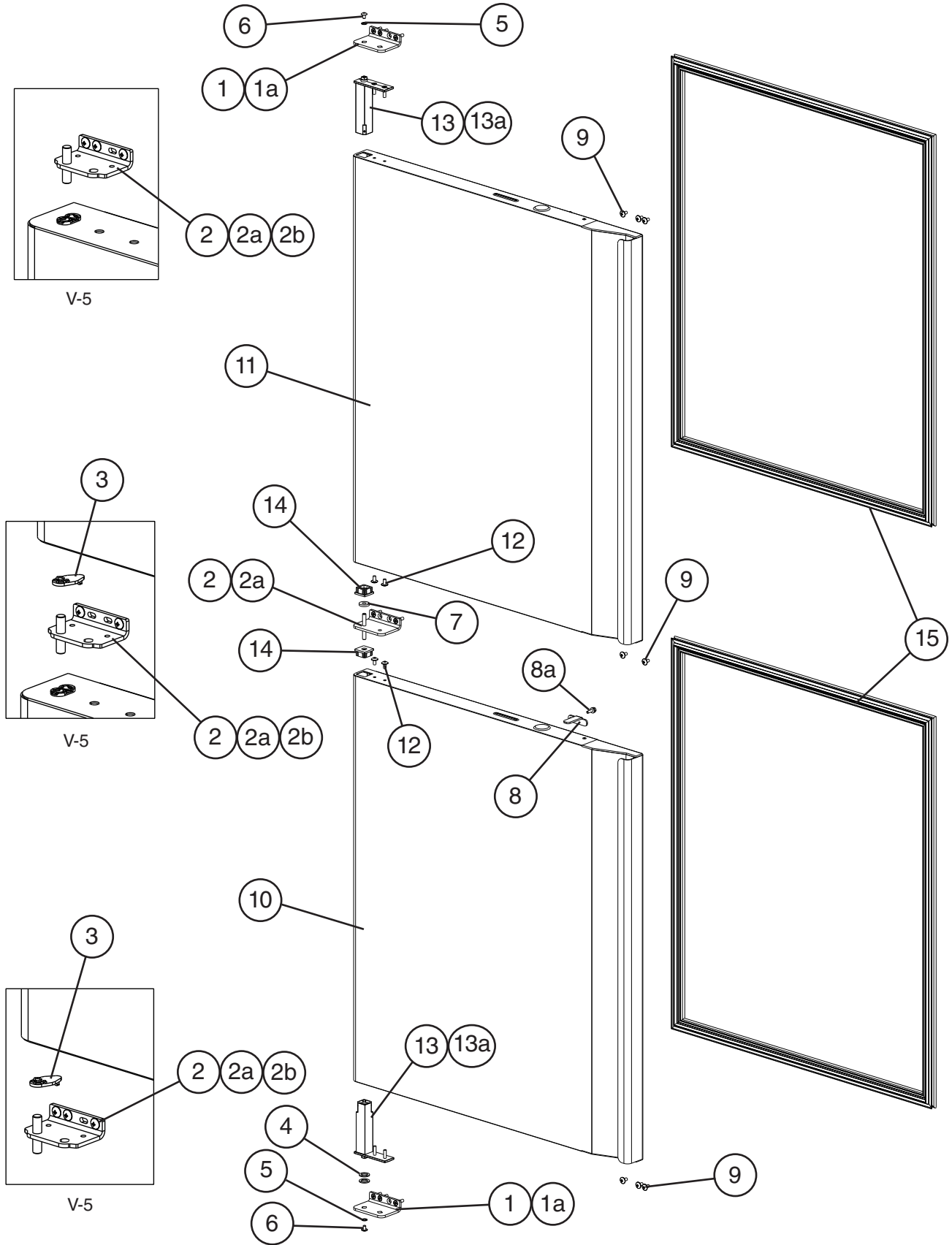
Title: E. Door-Left Hinged Model: Full Solid: CF2A-FS											
Index No.	Description	Material or Model Number	Part Number	Required Number							
				V-5	V-5 (F)	V-6 A-5					
Door-Left Hinged; Full Solid Order Assembly Parts Individually			2A5445A01	1	1	-					
			2A6263A01			1					
1	Hinge Bracket (L)		3A5542G02	2	2	-					
			3A6250G02			1					
1a	Truss Head Screw	5x10, SS	7C32-0510	6	6	-					
	Countersunk Screw	5x20, SS	7C42-0520			3					
1b	Split Lock Washer	M5, SS	7L22-0500	6	6	-					
2	Hinge Bracket		3A6249-01			1					
2a	Countersunk Screw	5x20, SS	7C42-0520			3					
3	Hinge Collar		339948-01	1	1	-					
4	Thrust Washer		4A5234-01			1					
5	Lock Washer		4A5231-01			1					
6	Screw		4A5230-01			1					
7	Truss Head Screw (filler screws)	5x10, SS	7C32-0510	8	8	8					
8	Door Assembly (L) (includes items 9 through 12)		2A5220G01	1	1	-					
			2A6264G01			1					
9	Door Gasket		2A5192-01	1	1	1					
10	Hinge Cartridge		3A6258-01			1					
10a	Countersunk Screw	5x20, SS	7C42-0520			2					
11	Truss Head Screw (filler screws)	5x10, SS	7C32-0510			2					
12	Bearing		4A5232-01			1					

E. Door-Left Hinged
Half Solid: CR2A-HS
 V-5, V-6



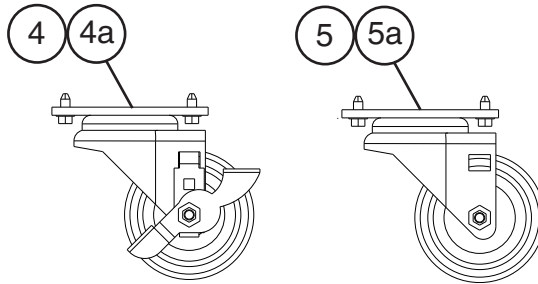
Title: E. Door-Left Hinged Model: Half Solid: CR2A-HS										
Index No.	Description	Material or Model Number	Part Number	Required Number						
				V-5	V-5 (E)	V-6				
Door-Left Hinged; Half Solid			2A5446A01	1	1	1				
Order Assembly Parts Individually										
1	Hinge Bracket		3A5542G02	3	3	3				
1a	Truss Head Screw	5x10, SS	7C32-0510	8	8	8				
1b	Split Lock Washer	M5, SS	7L22-0500			8				
2	Hinge Collar		339948-01	2	2	2				
3	Half Door Lock		4A4934-01	1	1	1				
3a	Bolt		449879-08		1	1				
4	Truss Head Screw (filler screws)	5x10, SS	7C32-0510	8	8	8				
5	Door Assembly (includes half the quantity of item 6)		2A5222G01	2	2	2				
6	Door Gasket		2A5192-02	2	2	2				

E. Door-Left Hinged
Half Solid: CF2A-HS
 V-5, V-6



Title: E. Door-Left Hinged Model: Half Solid: CF2A-HS											
Index No.	Description	Material or Model Number	Part Number	Required Number							
				V-5 (E)	V-5 (F)	V-6					
Door-Left Hinged; Half Solid Order Assembly Parts Individually			2A5446A01	1	1	-					
			2A6256A01			1					
1	Hinge Bracket		3A6249-01			2					
1a	Countersunk Screw	5x20, SS	7C42-0520			6					
2			3A5542G02	3	3	-					
			3A6250G02			1					
2a			7C32-0510	8	8	-					
			7C42-0520			2					
2b	Split Lock Washer	M5, SS	7L22-0500		8	-					
3	Hinge Collar		339948-01	2	2	-					
4	Thrust Washer		4A5233-01			2					
5	Lock Washer		4A5231-01			2					
6	Screw		4A5230-01			2					
7	Thrust Washer		4A5234-01			1					
8			4A4934-01	1	1	-					
			4A5249-01			1					
8a	Bolt		449879-08	1	1	1					
9	Truss Head Screw (filler screws)	5x10, SS	7C32-0510	8	8	8					
10			2A5222G01	1	1	-					
			2A6252G01			1					
11			2A5222G01	1	1	-					
			2A6253G01			1					
12	Truss Head Screw (filler screws)	5x10, SS	7C32-0510			4					
13	Hinge Cartridge		3A6258-01			2					
13a	Countersunk Screw	5x20, SS	7C42-0520			4					
14	Bearing		4A5232-01			2					
15	Door Gasket		2A5192-02	2	2	2					

F. Accessories & Packaging
CR2A-FS, CR2A-HS, CF2A-FS, CF2A-HS
 V-5 to A-5



Title: F. Accessories & Packaging Model: CR2A-FS, CR2A-HS, CF2A-FS, CF2A-HS											
Index No.	Description	Material or Model Number	Part Number	Required Number							
				V-5 to A-5							
1	Instruction Manual		91A3KE10B	1							
2	Shelf Kit (3 Pack) (includes half the quantity of item 3)	HS-3717	3A6110A01	2							
3	Shelf Clip		428957-01	24							
4	4-Inch Locking Caster		4A4275-01	2							
4a	Hex Head Tapping Bolt	1/4-20x3/4	4A5213-01	8							
5	4-Inch Non-Locking Caster		4A4275-02	2							
5a	Hex Head Tapping Bolt	1/4-20x3/4	4A5213-01	8							
	Packaging	CR2A-FS	1A1983A01								
		CR2A-HS	1A1988A01								
		CF2A-FS	1A2016A01								
		CF2A-HS	1A2033A01								

Free Manuals Download Website

<http://myh66.com>

<http://usermanuals.us>

<http://www.somanuals.com>

<http://www.4manuals.cc>

<http://www.manual-lib.com>

<http://www.404manual.com>

<http://www.luxmanual.com>

<http://aubethermostatmanual.com>

Golf course search by state

<http://golfingnear.com>

Email search by domain

<http://emailbydomain.com>

Auto manuals search

<http://auto.somanuals.com>

TV manuals search

<http://tv.somanuals.com>