

Hoshizaki America, Inc.

Remote Condenser Unit

Model
URC-5F



“A Superior Degree
of Reliability”

www.hoshizaki.com

PARTS LIST



Number: 71294
Issued: 12-16-2008

CONTENTS

Auxiliary Codes.....	3
Note About Ordering Parts	3
Material Abbreviations	4
A. Condenser Unit	5
B. Junction Box.....	7
C. Accessories & Packaging	8

Auxiliary Codes

URC-5F	R-5	April 2006
	S-5	January 2007
	T-5	January 2008

Auxiliary Code Breakdown

K-5

- Designates the year. "K" indicates the year 2000. Years progress or regress in alphabetical order. "J" is 1999, "L" is 2001, "M" is 2002, and so on. The letters "I" and "O" were skipped.
- Designates significant part changes within the same year for this model. Base is 5 and this number advances for each change.

Example: T-6

- "T" indicates 2008.
- "6" indicates the first significant part change for 2008.

Note About Ordering Parts

Most assemblies cannot be ordered as complete units; parts in the assemblies generally must be ordered separately.

Material Abbreviations

ALUMINUM

AL = Aluminum

COPPER

CU = Copper

PLASTIC

ABS = Acrylonitrile -butadiene - styrene
AC = Polyacetal
EVA = Ethylene vinyl acetate
PA = Polyamide = Nylon
PC = Polycarbonate
PE = Polyethylene
PES = Polyester
PETP = Polyethylene terephthalate = Tetlon
PP = Polypropylene
PS = Polystyrene
PTFE = Polytetrafluoroethylene = Teflon
PUR = Polyurethane
PVC = Polyvinyl chloride

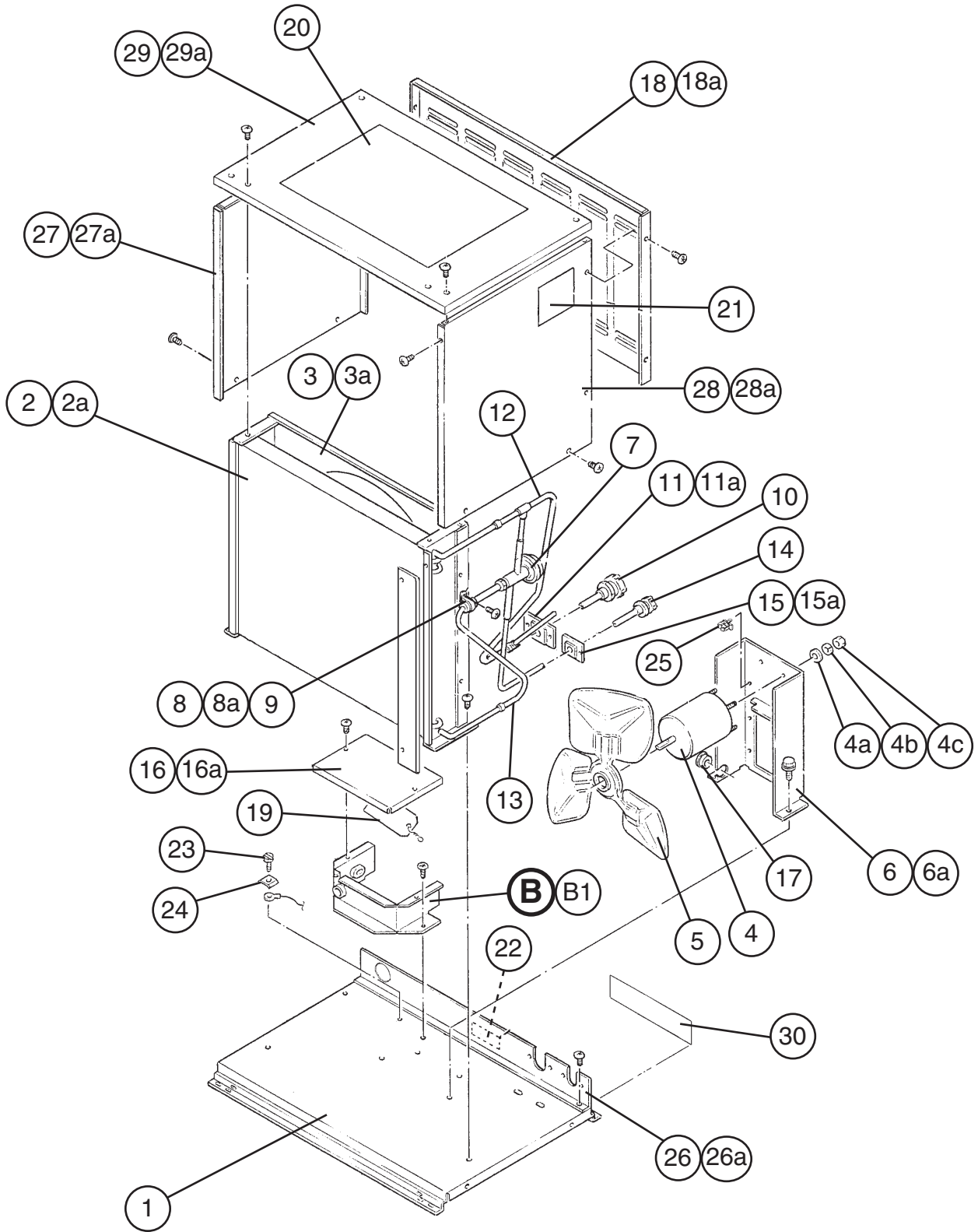
RUBBER

VN = Vinyl Nitrile
EPDM = EP rubber
NBR = Nitrile butadiene rubber
NR = Natural rubber
NP = Neoprene
SI.R = Silicone rubber
SY.R = Synthetic rubber
EPH = Epichlorohydrin

STEEL

GS = Galvanized steel
SS = Stainless steel
PS = Plated steel
PAS = Primed steel

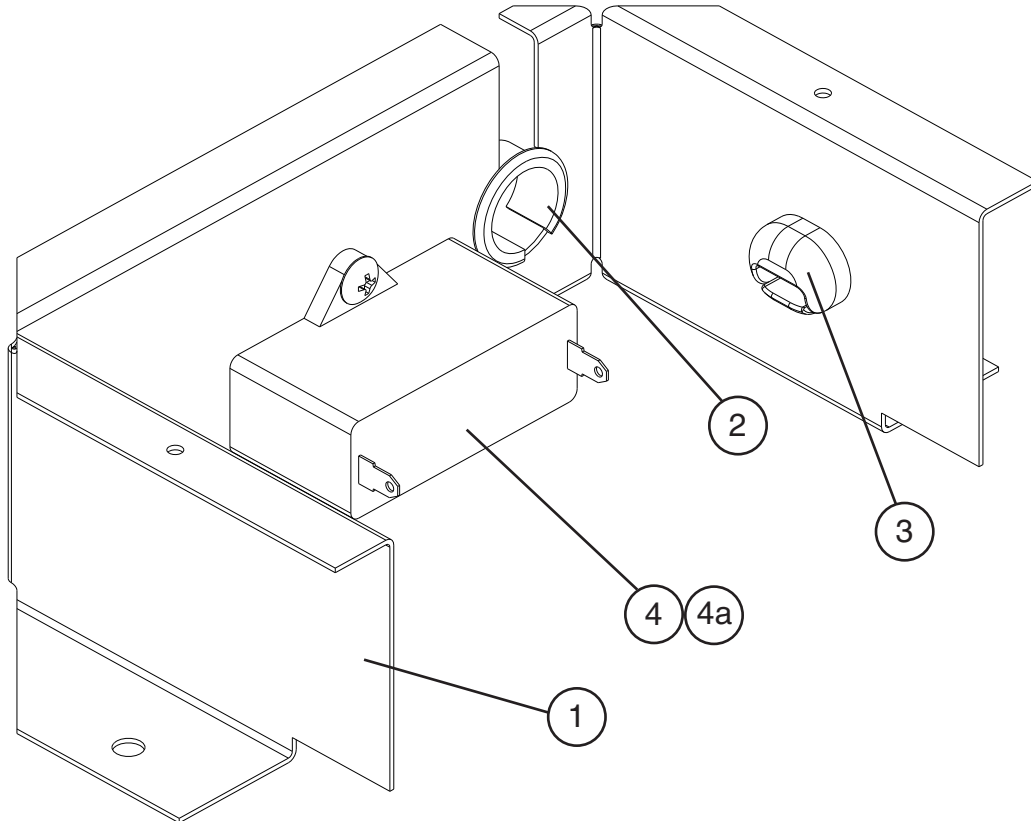
A. Condenser Unit
URC-5F
 R-5, S-5, T-5



Title: **A. Condenser Unit** Model: **URC-5F**

Index No.	Description	Material or Model Number	Part Number	Required Number																		
				R-5 to T-5																		
B	Junction Box	-	2A0117A01	1																		
B1	Truss Head Screw	4x8, SS	7C32-0408	2																		
1	Unit Base	-	2A1886G01	1																		
2	Condenser	-	216519-02	1																		
2a	T2 Screw	4x8, SS	7P32-0408	2																		
3	Shroud	-	216522-01	1																		
3a	T2 Screw	4x8, SS	7P32-0408	4																		
4	Fan Motor	63 Watt, GEHI	4A3201-01	1																		
4a	Flat Washer	8-32, SS	7W22I0832	4																		
4b	Split Lock Washer	8-32, SS	7L22I0832	4																		
4c	Hex Nut	8-32, SS	7N02I0832	4																		
5	Fan Blade	-	4A1493-01	1																		
6	Fan Motor Bracket	-	330799-01	1																		
6a	Hex Head Bolt w/Washer (LF)	5x12, SS	7B0230512	4																		
7	CP Regulator (Headmaster)	-	4A0229-01	1																		
8	"C" Clamp	CCO-12	7910C1200	1																		
8a	T2 Screw	4x8, SS	7P32-0408	1																		
9	Silicone Hose	L=20	7730-0912	1																		
10	Coupling	-	434101G01	1																		
11	Tube Holder-L	-	438245-01	1																		
11a	T2 Screw	4x8, SS	7P32-0408	2																		
12	Copper Tube (A)	-	3A1034G01	1																		
13	Copper Tube (B)	-	441745-01	1																		
14	Coupling (C)	-	434100G04	1																		
15	Tube Holder-S	-	438246-01	1																		
15a	T2 Screw	4x8, SS	7P32-0408	2																		
16	Junction Box Cover	-	436442-01	1																		
16a	T2 Screw	4x8, SS	7P32-0408	2																		
17	Bushing	OCB-750	428394-01	1																		
18	Louver Panel	-	216521-01	1																		
18a	T2 Screw	4x8, SS	7P32-0408	4																		
19	Tag-Fan Motor Leads	-	420742-01	1																		
20	Instruction Sheet	-	324841-01	1																		
21	Nameplate	-	2A2672-07	1																		
22	Label-R404A	-	4A0960-01	1																		
23	Screw-Grounding	-	433304-02	1																		
24	Square Washer	-	433537-02	1																		
25	Clamp	4253	427902-05	2																		
26	Frame	-	330796-01	1																		
26a	T2 Screw	4x8, SS	7P32-0408	3																		
27	Side Panel (R)	-	2A1884-01	1																		
27a	T2 Screw	4x8, SS	7P32-0408	2																		
28	Side Panel (L)	-	2A1885-01	1																		
28a	T2 Screw	4x8, SS	7P32-0408	2																		
29	Top Panel	-	2A0897-01	1																		
29a	T2 Screw	4x8, SS	7P32-0408	9																		
30	Caution Tape-404A	L=250	4A1535L01	1																		

B. Junction Box
URC-5F
 R-5, S-5, T-5



Title: B. Junction Box Model: URC-5F										
Index No.	Description	Material or Model Number	Part Number	Required Number						
				R-5 to T-5						
1	Junction Box (A)	GS	3A0170-01	1						
2	Bushing	OCB-1000	428394-05	1						
3	Bushing	SR-30-1	420472-03	1						
4	Capacitor	10.0MFD, 250V	443192-01	1						
4a	T2 Screw	4x10, SS	7P32-0410	1						

C. Accessories & Packaging

URC-5F

R-5, S-5, T-5

Title: C. Accessories & Packaging Model: URC-5F													
Index No.	Description	Material or Model Number	Part Number	Required Number									
				R-5 to T-5									
1	Leg	-	3A1704G01	2									
1a	Hex Bolt	8x16, SS	7B0230816	8									
1b	Hex Nut	M8, SS	7N12-0800	8									
2	T2 Screw	4x8, SS	7P32-0408	4									
	Packaging	-	2A0054A07										

Free Manuals Download Website

<http://myh66.com>

<http://usermanuals.us>

<http://www.somanuals.com>

<http://www.4manuals.cc>

<http://www.manual-lib.com>

<http://www.404manual.com>

<http://www.luxmanual.com>

<http://aubethermostatmanual.com>

Golf course search by state

<http://golfingnear.com>

Email search by domain

<http://emailbydomain.com>

Auto manuals search

<http://auto.somanuals.com>

TV manuals search

<http://tv.somanuals.com>