



CE 89/336  
73/23

MODULAR CUBER  
MACHINE A GLAÇONS MODULAIRE  
MODULARER WÜRFELEISBEREITER  
IJSBLOKJESMACHINE MET LOSSE OPSLAGBUNKER  
FABRICADOR MODULAR DE CUBITOS DE HIELO  
CUBETTATRICE MODULARE

# INSTALLATION MANUAL NOTICE D'INSTALLATION INSTALLATIONSANLEITUNG INSTALLATIE VOORSCHRIFT MANUAL DE INSTALACION MANUALE D'INSTALLAZIONE

FOR QUALIFIED INSTALLER ONLY  
RESERVE A L'INSTALLATEUR  
FÜR DEN INSTALLATEUR  
VOOR DE BEVOEGDE INSTALLATEUR  
SOLO PARA INSTALADOR CAPACITADO  
PER L'USO ESCLUSIVO DA PARTE DI INSTALLATORI ESPERTI

IM-240AME  
IM-240AWME

**HOSHIZAKI**

**IMPORTANT**

1. In order to carry out safe and proper installation of the product, please read this booklet carefully beforehand and follow the instructions contained within.
2. On completion of the installation, start up the icemaker to check for any abnormalities, and instruct the user on how to use and maintain the icemaker in accordance with the Instruction Manual.
3. This booklet should be handed over to the user after the installation and be preserved by the user together with the Instruction Manual for any further consultation that may be necessary.

**WARNING**

The installation must be carried out by qualified personnel, in accordance with current regulations, according to the manufacturer's instructions.

**1. UNPACKING**

**WARNING**

Children should not be allowed in reach of the packaging elements (plastic bags and expanded polystyrene) as they are potential sources of danger.

**CAUTION**

Remove shipping carton, tape(s) and packing. If packing material is left in the icemaker, it will not work properly.

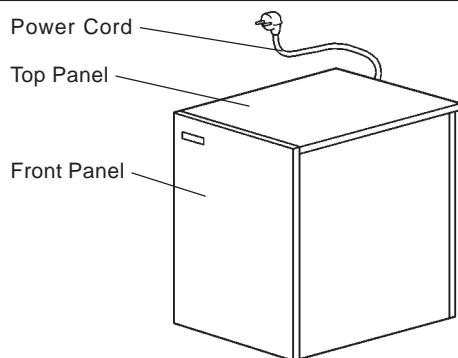
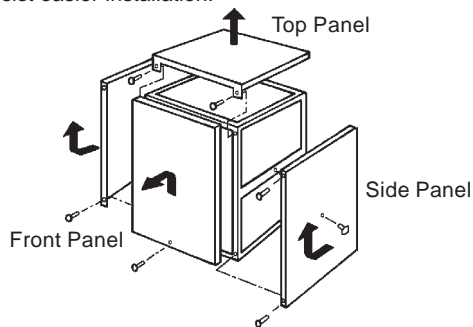


Fig. 1

Note: This icemaker needs a Storage Bin. The recommended Storage Bin is HOSHIZAKI ICE STORAGE BIN, Model B-300SD(PD) or B-500SD(PD) with Top Kit - 8C, B-700SD(PD) with Top Kit - 22C, or B-900SD(PD) with Top Kit - 22C and Top Kit - 8C.

- 1) After removing the packaging, make sure that the icemaker and the Storage Bin are in good condition. If in doubt, please do not use the equipment but apply to professionally qualified personnel. See the instruction sheet attached to the Storage Bin for its unpacking and installation guidelines.
- 2) Remove the icemaker panels to gain access to the accessory kit and to assist easier installation.



- Top Panel: Remove the screw. Lift off.
- Front Panel: Remove the screw. Lift up and pull toward you.
- Side Panel: Remove the screw. Pull slightly toward you, and lift off.

Fig. 2

- 3) Remove the package of accessories, and check the contents:

a) Installation Kit (Air-Cooled)	
Inlet Hose	1
Outlet Hose	1
Installation Kit (Water-Cooled)	
Inlet Hose	2
Outlet Hose	2
1/2-3/4 Nipple	2
b) Scoop	1
c) Ice Chute	1
d) Drain Pipe Collar	1
e) Packing	1
f) Mounting Bracket	2

- 4) Remove the shipping tape holding the Bin Control Switch.
- 5) Remove the protective plastic film from the exterior. If the icemaker is exposed to the sun or to heat, remove the film after the icemaker cools.

**2. LOCATION**

**IMPORTANT**

1. This icemaker is not intended for outdoor use. Normal operating ambient temperature should be within 1°C to 40°C. Normal operating water temperature should be within 5°C to 35°C. Operation of the icemaker, for extended periods, outside of these normal temperature ranges may affect production capacity.
2. The icemaker should not be located next to ovens, grills or other high heat producing equipment.
3. The location should provide a firm and level foundation for the equipment.
4. Allow 60 cm clearance at rear and top for proper air circulation and ease of maintenance and/or service should they be required.
5. This appliance is not suitable for installation in an area where a water jet could be used and where dripping is not allowed.
6. Do not place anything on top of the icemaker or in front of the Louver.
7. This icemaker will not work at subfreezing temperatures. To prevent damage to the water supply line, drain the icemaker when air temperature is below zero.

**3. INSTALLATION**

\* Incorrect installation can cause harm to people, animals or things, for which the manufacturer cannot be held responsible.

- 1) Fully screw in the four legs provided (bin accessory) into the Storage Bin underside. See Fig. 3.
- 2) Position the Storage Bin in the selected permanent site.
- 3) Place the icemaker on top of the Storage Bin by holding the bottom.
- 4) Secure the icemaker to the Storage Bin, by using the two mounting brackets and two bolts provided. See Fig. 4.

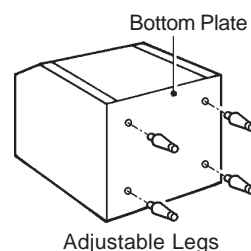


Fig. 3

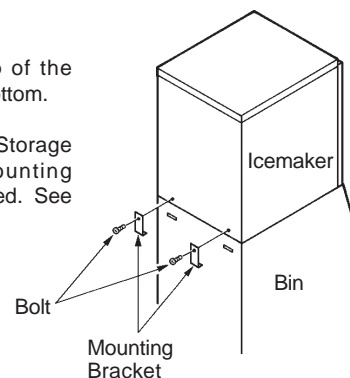


Fig. 4

- 5) Seal the seam between the icemaker and the Storage Bin with food grade sealant.
- 6) Remove the Drain Pipe Collar and Drain Pan. Secure the Bin Control Switch to the Mounting Frame using the two bolts and flat washers provided. Fix the Bin Control Switch wiring with the two nylon ties. Place the Ice Chute on the Unit Frame, and refit the Drain Pan in its correct position. See Fig. 5.

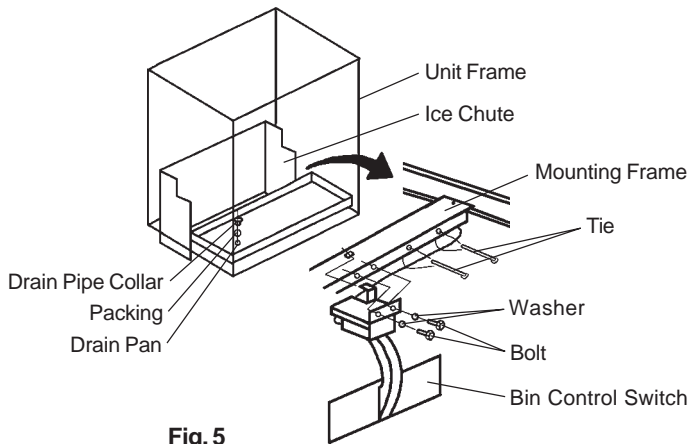


Fig. 5

- 7) Refit the panels in their correct positions.
- 8) Adjust the four legs on the bottom (adjustable from 0 to 25.4 mm) to have the icemaker perfectly horizontal. Use the spirit level. See Fig. 6.

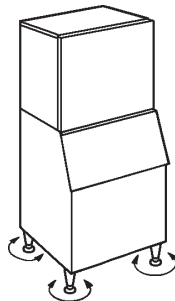


Fig. 6

## 4. ELECTRICAL CONNECTIONS

### WARNING

#### THIS APPLIANCE MUST BE EARTHED

This icemaker requires an earth that meets the national and local electrical code requirements. To prevent possible severe electrical shock to individuals or extensive damage to equipment, install a proper earth wire to the icemaker. Remove the plug from the mains socket before any maintenance, repairs or cleaning is undertaken.

- \* This icemaker should not be installed:
  - a) Where the power supply is not within the range of 220 - 240V.
  - b) Where the icemaker cannot be plugged directly into its own power supply without using an extension cord or sharing a receptacle.
- \* The main control box fuse is rated at 5A and should only be replaced by a qualified service engineer.
- \* Usually an electrical permit and services of a licensed electrician are required.
- \* If the supply cord and the plug should need to be replaced, it should only be done by a qualified service engineer.

#### For the U.K. and the Republic of Ireland only

- \* The wires in the mains lead are coloured in accordance with the following code:

Green & Yellow = Earth  
 Blue = Neutral  
 Brown = Live

As the colours of the wire in the mains lead of this appliance may not correspond with the coloured markings identifying the terminals in your plug, proceed as follows:

The wire which is coloured Green-and-Yellow must be connected to the terminal in the plug which is marked with the letter E or by the symbol  $\perp$  or coloured Green or Green-and-Yellow. The wire which is coloured Blue must be connected to the terminal which is marked with the letter N or coloured Black. The wire which is coloured Brown must be connected to the terminal which is marked with the letter L or coloured Red.

- \* Should the socket outlets in the installation site not be suitable for the plug supplied with your product, the plug must be removed (cut off if it is moulded on plug) and an appropriate plug fitted.

If the non-rewirable plug has been cut from the power supply cord, it must be disposed of. There should be no attempt to reuse it. Inserting such a plug into a socket elsewhere presents a serious risk of electrical shock.

- \* The non-rewirable plug must never be used without a fuse cover being fitted.

The correct replacement for the detachable fuse cover is identifiable from the manufacturer's reference number stamped on the plug.

Supply of replacement fuse covers can be obtained from Hoshizaki Parts/Service Centres.

Fuses should be rated at 13A and approved to BS 1362.

## 5. WATER SUPPLY AND DRAIN CONNECTIONS

(For the U.K. only, the connections must be in accordance with current requirements of the Model Water Byelaws 1986 SI No. 1147)

- \* Only potable water should be used for the icemaker.
- \* Water supply pressure should be minimum 0.5 bar and maximum 8 bar. If the pressure exceeds 8 bar, use a proper pressure reducing valve. Do NOT throttle back the supply tap.
- \* A plumbing permit and services of a licensed plumber may be required in some areas.
- \* The icemaker drain is gravity flow, so ensure drain pipe has an adequate pitch or fall.
- \* Water should drain into an open trap.
- \* The Storage Bin has two drain outlets. The upper/outer one is for dump from the icemaker, and the lower/inner is for the Bin. The two drain lines must be separated to prevent a backflow into the Storage Bin.
- \* On water-cooled model, a back flow preventer may be required in the cooling water circuit.

#### [Air-Cooled Model]

- 1) Attach the angled end of white flexible inlet hose (accessory) to the G3/4 fitting on the left side of the icemaker as indicated, ensuring rubber sealing washer is correctly positioned. Hand tighten sufficiently to provide leak free joint (Fig. 7).
- 2) Attach the other end of inlet hose to the water tap (Fig. 8), noting washer is correctly positioned before hand tightening as above. It is a wise precaution to have a stop valve within easy reach.
- 3) Hand tighten grey flexible outlet hose (accessory) onto the R3/4 fitting on the left side of the Storage Bin as indicated, ensuring rubber washer is correctly positioned to obtain a leak free joint. The pipe can be cut to length as necessary to suit position of main drain.

Note: Jointing compounds should be approved and suitable for potable water use.

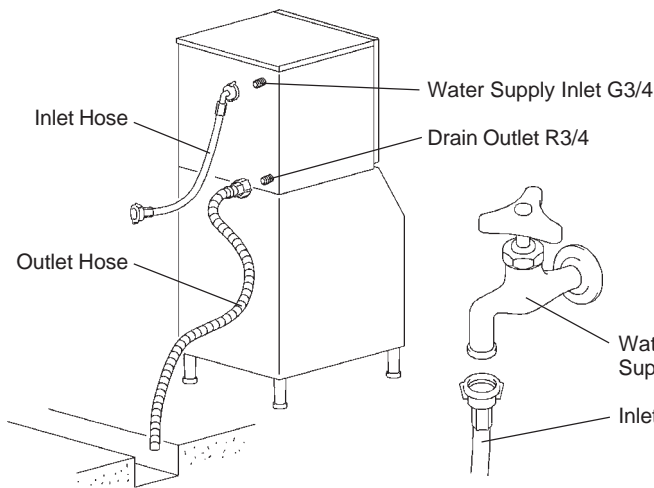


Fig. 7

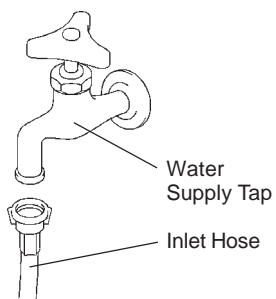


Fig. 8

**[Water-Cooled Model]**

\* Hoshizaki recommends that the water-cooled Condenser should be connected to a closed circuit recirculating type cooling system utilizing a tower, water chiller or similar (see Fig. 15 and 16). Water make up should be via a ball valve/break tank arrangement.

\* Whilst connecting a water-cooled Condenser to a mains water (potable) supply will not affect the performance of the machine, it will most certainly cause a high use/waste of a valuable resource and is not recommended.

\* The services of a licensed or coded plumber should be used to ensure a correct installation.

\* The connections should be made properly in compliance with the applicable national or local regulations.

**[a] Standard connections according to WRC regulations in U.K. (Fig. 9 and 10)**

\* When selecting a Cooling Tower, refer to the following peak values of heat flow in the Condenser:

Model	IM-240AWME:	5235 W
-------	-------------	--------

\* Pipes between the Cooling Tower and the icemaker should be at least 20 mm DIA to reduce pressure loss, even though the icemaker fittings are 13 mm DIA.

\* Pressure loss in the water circuit inside the unit will be 5 to 6 m when the cooling water flows at the ratio of 4 to 5 lit/min.

\* Select a Circulating Pump referring to the above values of heat flow.

\* Do not use a Cascade Pump, or the Water Regulator will vary the flow and stop it during the defrost cycle.

\* The Strainer must be cleaned periodically.

**[Icemaker Connections]**

1) Attach the angled end of white flexible inlet hose (accessory) to the G3/4 fitting on the left side of the icemaker as indicated, ensuring rubber sealing washer is correctly positioned. Hand tighten sufficiently to provide leak free joint.

2) Attach the other end of inlet hose to the water tap (Fig. 8), noting washer is correctly positioned before hand tightening as above.

Note: If filtration or treatment is used, ensure icemaker section only is on treated water supply, not the Condenser.

3) Attach grey flexible outlet hose (accessory) to the R3/4 fitting on the rear of the icemaker as indicated (Fig. 9), confirming fitment of

rubber washer before finally hand tightening the joint. This pipe can be cut to length as necessary to suit position of main drain.

4) By means of a suitable spanner or wrench, tighten the 1/2-3/4 nipples (accessory) into the Rc1/2 fittings on the rear of the icemaker as indicated. P.T.F.E. tape and/or a suitable sealing compound should be used to obtain a leak free joint.

Note: Jointing compounds should be approved and suitable for potable water use.

5) Connect the Condenser cooling circuit to the free end of 1/2-3/4 nipples as indicated (Fig. 9) using a suitable rigid type pipe. P.T.F.E. tape and/or a suitable sealing compound should be used to obtain a leak free joint.

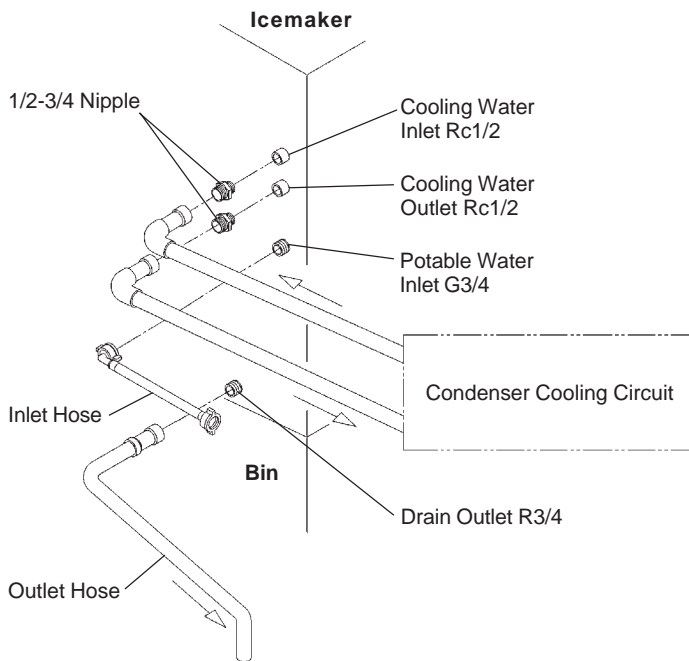


Fig. 9

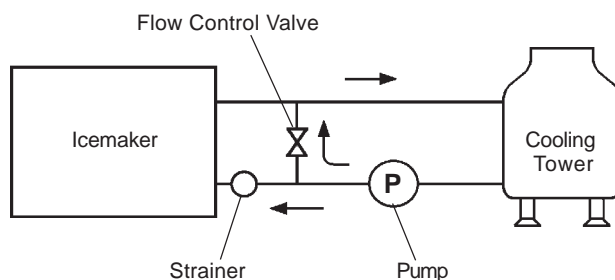


Fig. 10

**[b] Connections according to regulations other than WRC by utilising accessory hoses (Fig. 11)**

- 1) Follow the instructions from 1) to 4) in [a] above.
- 2) For Condenser connections, use supplied accessory hoses and make the same connections as 1) to 3) in [a] above to the free end of 1/2-3/4 nipples as indicated (Fig. 11).

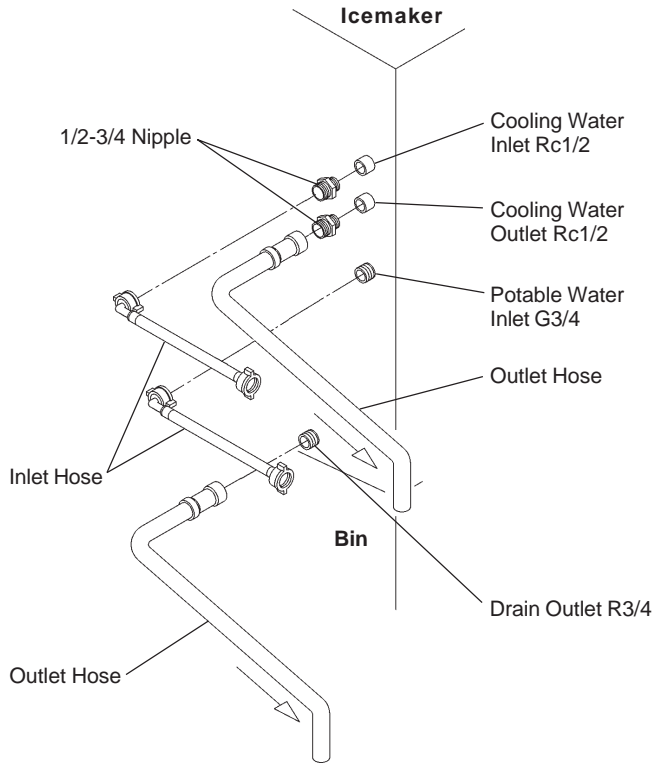


Fig. 11

## 6. START-UP PROCEDURE

- 1) Disconnect the power supply.
- 2) Open the water tap.
- 3) Connect the power supply and energise.
- 4) The following should occur in sequence:
  - a) Compressor will start (Hot Gas Valve open).
  - b) Water Pan will fully open.
  - c) Water Solenoid will open.
  - d) Water Pan will start to close (Hot Gas Valve closed).
  - e) Water Pan fully closed - Pump Motor will start.
  - f) Water Solenoid will close.

### IMPORTANT

1. Check the conditions and quality of the ice production.
2. Do not use ice produced in the trial run. It might be contaminated with foreign matter in the water circuit. Discard or flush down the drain.
3. Clean the Storage Bin before use (see "III. 1. CLEANING" in Instruction Manual).

## 7. FINAL CHECKS

- 1) Is installation free of water leaks?
- 2) Is the icemaker free from vibration?
- 3) Are all the panels fixed and secure?
- 4) Has the user been instructed on correct machine use and handed the Instruction Manual?

## IMPORTANT

1. Pour pouvoir installer le produit correctement et en toute sécurité, veuillez lire attentivement cette notice avant de procéder à l'installation et suivez les consignes qu'elle contient.
2. Une fois l'installation terminée, mettez la machine à glace en marche et vérifiez qu'elle ne présente aucune anomalie. Expliquez ensuite à l'utilisateur comment l'utiliser et l'entretenir selon la notice d'utilisation.
3. Cette notice doit être remise à l'utilisateur après l'installation du produit. L'utilisateur doit la conserver avec la notice d'utilisation pour toute consultation ultérieure.

## AVERTISSEMENT

**L'installation doit être effectuée par du personnel qualifié**, en respectant les réglementations en vigueur et en suivant les consignes du fabricant.

## 1. DEBALLAGE

### AVERTISSEMENT

Les enfants doivent être tenus à l'écart de tous les éléments d'emballage (sacs en plastique et polystyrène expansé) car ce sont des éléments potentiellement dangereux.

### ATTENTION

Enlevez le carton d'emballage, le(s) ruban(s) et les matériaux d'emballage. S'il reste des matériaux d'emballage dans la machine à glace, elle ne fonctionnera pas correctement.

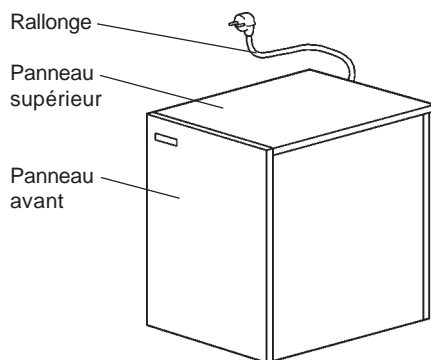
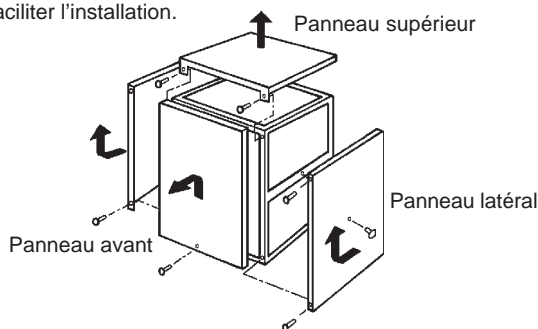


Fig. 1

Remarque: Cette machine à glace demande un bac de stockage. Le bac recommandé s'appelle BAC DE STOCKAGE DE GLACE HOSHIZAKI, Modèle B-300SD(PD) ou B-500SD(PD) kit supérieur - 8C, B-700SD(PD) avec kit supérieur - 22C, ou B-900SD(PD) avec kit supérieur - 22C et kit supérieur - 8C.

1) Après avoir enlevé les matériaux d'emballage, vérifiez que la machine à glace et le bac de glaçons soient en bon état. En cas de doute, n'utilisez pas l'appareil mais adressez-vous à un professionnel. Suivez les recommandations accompagnant le bac de stockage pour le déballer et l'installer.

2) Retirez les panneaux de la machine pour accéder aux accessoires et faciliter l'installation.



- Panneau supérieur: Dévissez la vis. Relevez le panneau.
- Panneau avant: Dévissez la vis. Relevez le panneau et tirez-le vers vous.
- Panneau latéral: Dévissez la vis. Tirez-le légèrement vers vous puis relevez-le.

Fig. 2

3) Retirez l'emballage maintenant les accessoires et vérifiez les accessoires suivants:

a) Kit d'installation (Refroidissement par air)	
Tuyau d'arrivée d'eau	1
Tuyau de vidange	1
Kit d'installation (refroidissement par eau)	
Tuyau d'arrivée d'eau	2
Tuyau de vidange	2
Mamelon 1/2-3/4	2
b) Pelle à glace	1
c) Chute de glaçons	1
d) Bride du collier de vidange	1
e) Emballage	1
f) Patte de support	2

4) Retirez le ruban d'emballage maintenant le commutateur de commande du bac.

5) Enlevez le film protecteur en plastique recouvrant les panneaux. Si la machine à glace est exposée au soleil ou à la chaleur, attendez qu'elle se soit refroidie pour le faire.

## 2. EMPLACEMENT

### IMPORTANT

1. Cette machine à glace n'est pas conçue pour être utilisée à l'extérieur. La température ambiante normale de service doit être comprise entre 1°C et 40°C. La température normale de service de l'eau doit être comprise entre 5°C et 35°C. Le fonctionnement de l'appareil en dehors de ces températures pendant des durées prolongées, risque d'influer sur les performances.
2. La machine à glace ne doit pas être placée à proximité de fours, de grills, ou de toute autre source de chaleur importante.
3. L'assise de l'appareil doit être solide et horizontale.
4. Pour assurer une bonne circulation d'air et faciliter les opérations d'entretien ou de révision en cas de besoin, maintenez une garde de 60 cm à l'arrière et sur la partie supérieure de l'appareil.
5. Cet appareil ne doit pas être monté dans un local où l'on peut utiliser un jet d'eau ou dans lequel l'égouttage est prohibé.
6. Ne mettez rien sur la machine à glace ni devant le volet d'aération.
7. Cet appareil ne fonctionne pas à des températures inférieures à zéro. Afin d'éviter que les conduites d'eau ne s'abiment, vidangez l'appareil dès que la température de l'air tombe au-dessous de zéro.

## 3. INSTALLATION

\* Une installation incorrecte peut entraîner des dommages ou accidents pour lesquels le fabricant ne peut pas être tenu responsable.

1) Vissez à fond les quatre pieds (accessoires du bac) au-dessous du bac de stockage (Schéma 3).

2) Placez le bac de stockage à l'emplacement sélectionné.

3) Placez la machine à glace sur le sommet du bac de stockage en maintenant sa partie inférieure.

4) Fixez la machine à glace sur le bac de stockage à l'aide des deux brides de fixation et des deux boulons prévus. (Schéma 4).

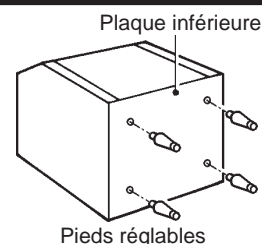


Fig. 3

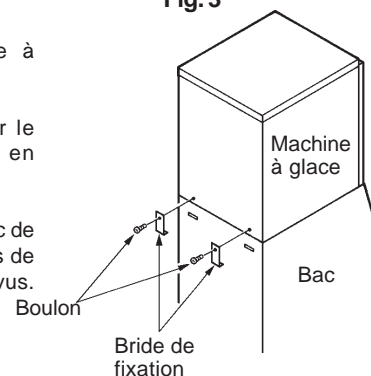


Fig. 4



- 5) Bouchez le bord séparant la machine du bac de stockage avec un adhésif de qualité comestible.
- 6) Retirez le collier de tuyau de vidange et le bac de vidange. Fixez le commutateur de commande du bac au châssis de montage à l'aide des deux boulons et rondelles plates fournis. Attachez le câble du commutateur de commande du bac à l'aide des deux colliers de nylon. Placez la goulotte de sortie de la glace sur le châssis et remplacez le bac de vidange dans sa position correcte. Voir Fig. 5.

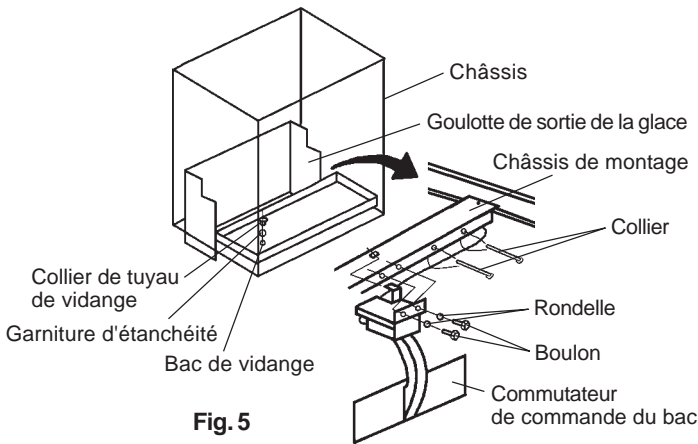


Fig. 5

- 7) Repositionnez correctement les panneaux latéraux.
- 8) Ajustez le bas des quatre pieds (ils se règlent de 0 à 25,4 mm) de façon à ce que la machine à glace soit horizontale. A cet effet, utilisez un niveau à bulle d'air. (Schéma 6).

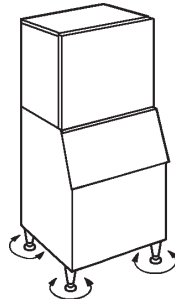


Fig. 6 Réglage des pieds

## 4. RACCORDEMENTS ELECTRIQUES

### AVERTISSEMENT

#### CET APPAREIL DOIT ETRE MIS A LA TERRE

L'appareil doit avoir une terre qui respecte les réglementations électriques nationales et locales. Pour éviter tout risque d'électrocution grave ou de détérioration importante du matériel, reliez à l'appareil un fil de terre adéquat. Avant d'entreprendre n'importe quelle opération d'entretien, de réparation ou de nettoyage, débranchez le cordon d'alimentation du secteur.

- \* Cette machine à glace ne doit pas être installée dans les cas suivants:
  - a) Quand l'alimentation électrique n'est pas 220 - 240V.
  - b) Quand il n'est pas possible de brancher directement la machine sans rallonge ou adaptateur.
- \* Le fusible du boîtier de commande principal est calibré à 5A. Son remplacement doit être effectué par un technicien d'entretien qualifié.
- \* Il faut généralement obtenir une autorisation pour effectuer l'installation électrique et recourir aux services d'un électricien qualifié.
- \* Le remplacement du cordon d'alimentation et de la prise ne doit être effectué que par un électricien qualifié.
- \* Le codage couleur des fils du cordon d'alimentation est le suivant:

Vert et jaune = Terre  
 Bleu = Neutre  
 Marron = Tension

Comme il est possible que le codage couleur des fils du cordon d'alimentation ne corresponde pas au repérage des bornes sur votre fiche, effectuez le raccordement électrique comme suit:

Le fil vert-et-jaune doit être relié à la borne de la fiche repérée par la lettre E ou par le symbole , ou codée en vert ou vert-et-jaune. Le fil bleu doit être relié à la borne repérée par la lettre N ou la couleur noire. Le fil marron doit être relié à la borne repérée par la lettre L ou la couleur rouge.

- \* Si la fiche livrée avec la machine ne convient pas à la prise du site d'installation, il faut l'enlever (la couper s'il s'agit d'une fiche moulée) et en monter une autre.

Si la fiche non recâblable a été coupée du cordon d'alimentation, il faut la jeter. En aucun cas, elle ne doit être réutilisée. L'introduction d'une telle fiche dans une autre prise comporte un grave risque d'électrocution.

## 5. BRANCHEMENTS DE L'ARRIVEE ET DE LA VIDANGE D'EAU

- \* Cette machine ne doit utiliser que de l'eau potable.
- \* La pression de l'arrivée d'eau doit être comprise entre 0,5 bar et 8 bar. Si la pression dépasse 8 bar, utilisez un réducteur de pression. Ne REDUISEZ PAS l'ouverture du robinet d'alimentation.
- \* Il se peut que dans certaines régions, il faille obtenir une autorisation pour effectuer les travaux de plomberie et recourir aux services d'un plombier qualifié.
- \* La vidange d'eau de la machine se fait par écoulement gravitaire si bien que vous devez vous assurer que la hauteur de chute est suffisante.
- \* L'eau doit être évacuée vers un bac ouvert.
- \* Le bac de stockage comprend deux sorties de vidange. La sortie supérieure/extérieure sert à vidanger la machine et la sortie inférieure/intérieure à vidanger le bac. Les deux conduites de vidange doivent être séparées pour éviter tout retour d'eau dans le bac de stockage.
- \* L'eau doit être évacuée vers un bac ouvert.

### [Modèle avec refroidissement par air]

- 1) Raccordez l'extrémité coudée du tuyau flexible blanc d'arrivée d'eau (accessoire) au raccord G3/4 à l'arrière de la machine en vous assurant que la rondelle d'étanchéité en caoutchouc est bien placée. Serrez bien à la main pour assurer un joint étanche (Fig. 7).
- 2) Raccordez l'autre extrémité du tuyau d'arrivée au robinet d'alimentation d'eau (Fig. 8), en vérifiant que la rondelle est bien placée avant de serrer le joint à la main. Il est recommandé de prévoir une soupape d'arrêt.
- 3) Serrez à la main le tuyau de vidange gris (l'accessoire) sur le raccord R3/4 à l'arrière du bac de stockage en veillant à ce que la rondelle d'étanchéité en caoutchouc soit correctement placée pour éviter toute fuite. Coupez le tuyau selon la longueur désirée pour l'adapter au drainage principal.

Remarque: Les mastics doivent être agréés et convenir à une utilisation avec eau potable.

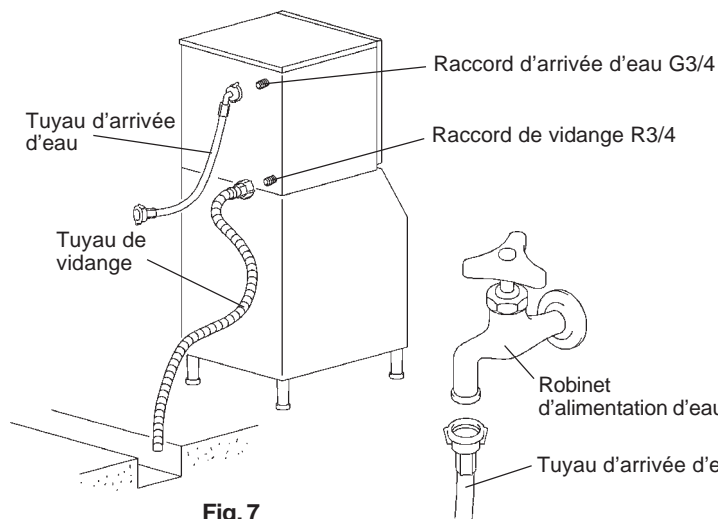


Fig. 7

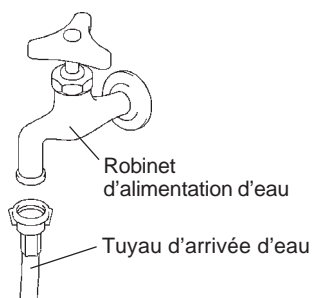


Fig. 8

### [Modèle avec refroidissement par eau]

- \* Hoshizaki recommande de raccorder le condenseur refroidi par eau à un système de refroidissement du type à circuit fermé de recyclage comportant une tour, un refroidisseur d'eau ou élément assimilé (voir Fig. 15 et 16). L'approvisionnement en eau doit se faire au moyen d'une vanne à boulet/d'un réservoir de barrage.
- \* Le raccordement d'un condenseur refroidi par eau à une alimentation en eau secteur (potable) n'affecte pas la performance de la machine mais provoque une utilisation/un gaspillage d'eau important que nous ne recommandons pas.
- \* Faire appel à un plombier agréé pour s'assurer que l'installation est correcte.
- \* Les branchements doivent être effectués en respectant les réglementations nationales ou locales en vigueur.

### [a] Branchements standard conformes aux réglementations WRC au Royaume-Uni (Fig. 9 et 10)

- \* En cas d'utilisation d'une tour de refroidissement, la sélectionner en tenant compte des valeurs crêtes suivantes relatives au flux thermique du condenseur :

Modèle IM-240AWME : 5 235 W

- \* Le diamètre minimal des tuyaux entre la tour de refroidissement et la machine à glace doit être de 20 mm afin de réduire la perte de pression même si les raccords de la machine ont un diamètre de 13 mm.
- \* La perte de pression dans le circuit d'eau à l'intérieur de la machine est de 5 à 6 m lorsque le débit de l'eau de refroidissement est de 4 à 5 l/min.
- \* Sélectionner une pompe de circulation selon les valeurs de flux thermique indiquées ci-dessus.
- \* Ne pas utiliser de pompe en cascade car le régulateur d'eau modifiera le flux et l'arrêtera lors du dégivrage.
- \* Nettoyer périodiquement le filtre.

### [Branchements de la machine à glace]

- 1) Raccorder l'extrémité coudée du tuyau blanc d'arrivée d'eau (accessoire) au raccord G3/4 sur le côté gauche de la machine à glace comme indiqué, en veillant à placer correctement la rondelle d'étanchéité en caoutchouc. Serrer manuellement de manière à obtenir un raccordement étanche.

- 2) Raccorder l'autre extrémité du tuyau d'arrivée au robinet d'alimentation en eau (Fig. 8), en veillant à placer correctement la rondelle d'étanchéité avant de serrer manuellement comme ci-dessus.

Remarque : En cas de filtrage ou de traitement de l'eau, veiller à ce que seule la section de fabrication de glaçons soit raccordée à l'alimentation en eau traitée, et non le condenseur.

- 3) Raccorder le tuyau gris de vidange (accessoire) au raccord R3/4 à l'arrière de la machine à glace comme indiqué (Fig. 9), en contrôlant le placement correct de la rondelle d'étanchéité en caoutchouc avant de serrer le joint manuellement. Ce tuyau peut être coupé à la longueur voulue en fonction de la position de vidange principale.

- 4) A l'aide d'une clé adaptée, serrer les mamelons 1/2-3/4 (accessoire) sur les raccords Rc1/2 à l'arrière de la machine à glace comme indiqué. Utiliser du ruban PTFE et/ou du mastic d'étanchéité adéquat pour former un joint étanche.

Remarque : Les produits d'étanchéité pour joints doivent être approuvés et adaptés à une utilisation avec de l'eau potable.

- 5) Raccorder le circuit de refroidissement du condenseur à l'extrémité libre des mamelons 1/2-3/4 comme indiqué (Fig. 9) à l'aide d'un tuyau rigide adapté. Utiliser du ruban PTFE et/ou du mastic d'étanchéité adéquat pour former un joint étanche.

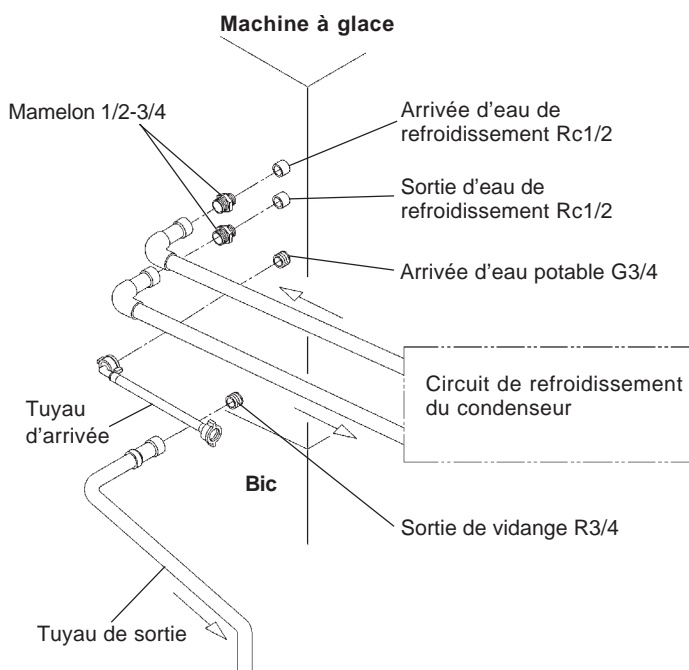


Fig. 9

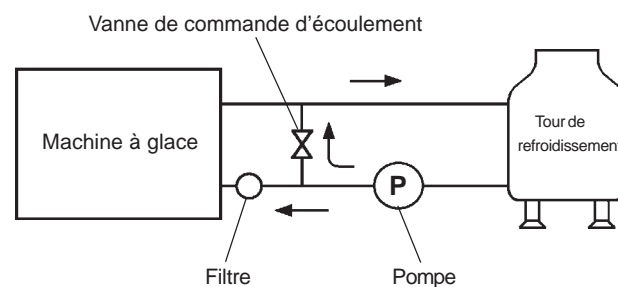


Fig. 10



## [b] Branchements conformes à des réglementations autres que celles du WRC à l'aide des tuyaux accessoires (Fig. 11)

- 1) Suivre les consignes des paragraphes 1) à 4) figurant sous [a].
- 2) Pour les branchements du condenseur, utiliser les tuyaux accessoires livrés et effectuer les mêmes branchements qu'aux paragraphes 1) à 3) de [a] ci-dessus avec l'extrémité libre des mamelons 1/2-3/4 comme indiqué (Fig. 11).

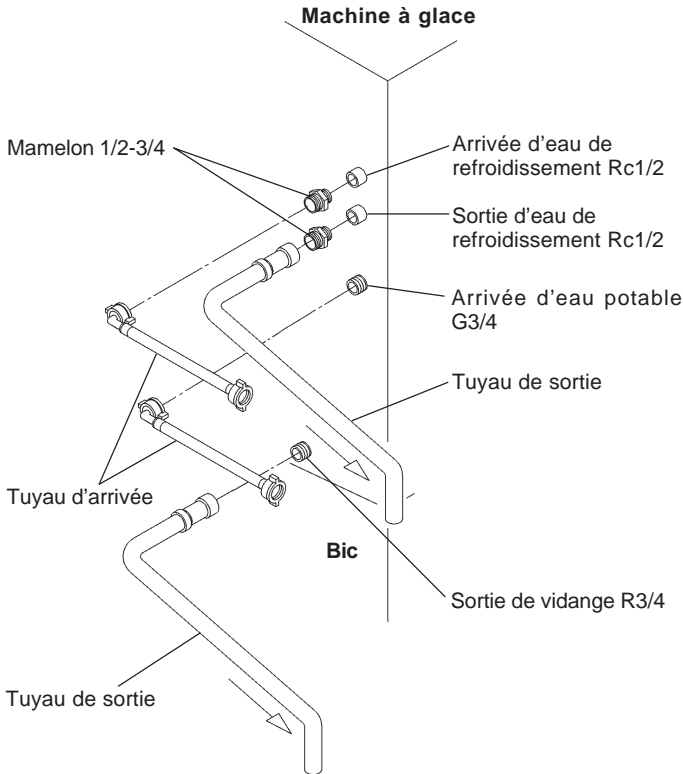


Fig. 11

## 6. MISE EN MARCHÉ

- 1) Débranchez l'alimentation électrique.
- 2) Ouvrez le robinet d'eau.
- 3) Branchez l'alimentation électrique et mettez sous tension.
- 4) Les éléments suivants se produisent en séquence:
  - a) Le compresseur se met en marche (le robinet de gaz chaud s'ouvre).
  - b) Ouverture complète du plateau d'eau.
  - c) La solénoïde d'eau s'ouvre.
  - d) Le plateau d'eau commence à se fermer (robinet de gaz chaud se ferme).
  - e) Fermeture complète du plateau d'eau - Moteur de la pompe se met en route.
  - f) La solénoïde d'eau se ferme.

### IMPORTANT

1. Vérifiez l'état et la qualité des glaçons.
2. N'utilisez pas les glaçons résultant d'un essai car le circuit d'eau risque de les avoir contaminés. Jetez-les.
3. Nettoyer le bac de stockage avant l'usage (voir "III. 1. NETTOYAGE" dans la notice d'utilisation).

## 7. DERNIERS CONTROLES

- 1) L'installation a-t-elle des fuites d'eau?
- 2) La machine à glace vibre-t-elle?
- 3) Les panneaux sont-ils tous fixés solidement?
- 4) L'utilisateur a-t-il lu et assimilé la Notice d'Utilisation?

## WICHTIG

- Bitte lesen Sie dieses Heft vor der Installation genau durch und befolgen Sie die Anweisungen darin, um das Gerät sicher und ordnungsgemäß zu installieren.
- Schalten Sie den Eisbereiter nach der Installation an, prüfen Sie ihn auf Unregelmäßigkeiten und weisen Sie den Anwender in die Wartung des Geräts entsprechend der Bedienungsanleitung ein.
- Dieses Heft sollte nach Fertigstellung der Installation dem Anwender übergeben und von diesem zusammen mit der Bedienungsanleitung sorgfältig aufbewahrt werden, damit auch später darin nachgeschlagen werden kann.

## ACHTUNG

Die Installation darf nur durch ausgebildetes Fachpersonal entsprechend sämtlicher relevanten Bestimmungen und Herstelleranweisungen erfolgen.

## 1. AUSPACKEN

### ACHTUNG

Kinder sind von allen Teilen der Verpackung (Plastikbeutel und Schaumstoff-Füllmaterial) fernzuhalten, da diese eine Gefahr darstellen.

### VORSICHT

Bitte den Verpackungskarton, Klebeband und anderes Verpackungsmaterial sorgfältig entfernen. Im Gerät verbleibendes Verpackungsmaterial beeinträchtigt die ordnungsgemäße Funktion.

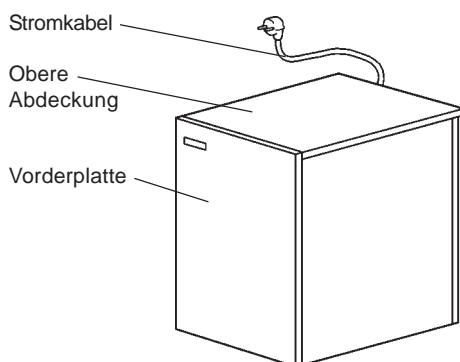
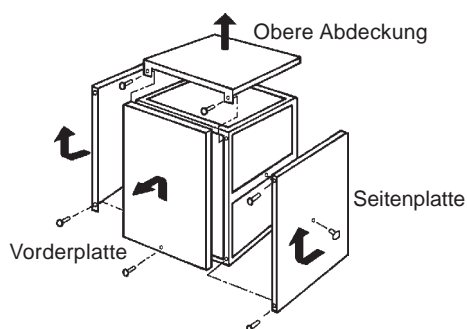


Abb. 1

Beachten: Diese Eismaschine benötigt einen Vorratsbehälter. Der empfohlene Vorratsbehälter ist HOSHIZAKI EISVORRATS-BEHÄLTER, Modell B-300SD(PD) oder B-500SD(PD) mit oberem Bausatz - 8C, Modell B-700SD(PD) mit oberem Bausatz - 22C oder Modell B-900SD(PD) mit oberem Bausatz - 22C und oberem Bausatz - 8C.

- Nach dem Entfernen der Verpackung bitte den Zustand des Gerätes prüfen. Bei irgendwelchen Zweifeln hinsichtlich Funktionsfähigkeit den Eisbereiter nicht benutzen, sondern das Fachpersonal kontaktieren. Auch das Blatt am Vorratsbehälter mit den Bedienungsanleitungen zum Auspacken und Installieren beachten.
- Verkleidung des Eisbereiters entfernen um an die Zubehörteile zu gelangen und die Installation zu vereinfachen.



- Obere Abdeckung: Schraube herausnehmen. Abheben.  
 Vorderplatte: Schraube herausnehmen. Anheben und nach vorne ziehen.  
 Seitenplatte: Schraube herausnehmen. Etwas nach vorne ziehen und abheben.

Abb. 2

- Die Packung mit den Zubehörteilen öffnen und ihren Inhalt prüfen:

a) Installationsteile (luftgekühlt)	
Zulaufschlauch	1
Ablaufschlauch	1
Installationsbausatz (wassergekühltes Modell)	
Zulaufschlauch	2
Ablaufschlauch	2
1/2-3/4 Stutzen	2
b) Eisschaufel	1
c) Eisersche	1
d) Ablaufrohrkragen	1
e) Dichtungsring	1
f) Befestigungsschelle	2

- Entfernen Sie das Klebeband vom Schalter des Vorratsbehälters.
- Die Schutzfolie von den Gerätewänden abziehen. Sollte der Eisbereiter Sonnenlicht oder Wärme ausgesetzt sein, die Schutzfolie erst nach dem Abkühlen des Gerätes abziehen.

## 2. AUFSTELLEN

### WICHTIG

- Dieser Eisbereiter ist nicht für den Betrieb im Freien vorgesehen. Die normale Betriebstemperatur sollte zwischen 1°C und 40°C und die normale Wassertemperatur zwischen 5°C und 35°C liegen. Durch den längeren Betrieb des Eisbereiters bei Temperaturen außerhalb dieser Grenzwerte kann seine Leistungsfähigkeit beeinträchtigt werden.
- Das Gerät nicht in der Nähe von Öfen, Grillgeräten oder anderen wärmeerzeugenden Anlagen aufstellen.
- Das Gerät auf stabilen und ebenen Untergrund aufstellen.
- Hinten und oben muß ein Abstand von 60 cm eingehalten werden, um eine gute Luftzirkulation zu gewährleisten und die Pflege bzw. Wartung des Gerätes zu erleichtern.
- Dieses Gerät eignet sich nicht für die Installation in Räumen, wo ein Wasserstrahl verwendet wird oder sich kein Tropfwasser bilden darf.
- Keinerlei Gegenstände auf die Oberseite des Gerätes oder vor das Luftgitter stellen.
- Der Eisbereiter funktioniert nicht bei Minustemperaturen. Um Schäden an der Wasserzufuhr vorzubeugen, sollte sämtliches Wasser aus dem Eisbereiter abgelassen werden, wenn die Lufttemperatur unter Null ist.

## 3. INSTALLATION

\* Unsachgemäße Installation kann zu Verletzungen von Mensch und Tier sowie zu Sachschäden führen. Der Hersteller lehnt die Verantwortung hierfür ab.

- Schrauben Sie die vier mitgelieferten Füße (Zubehör Behälter) vollständig in die Unterseite des Vorratsbehälters ein. Siehe Abb. 3.
- Stellen Sie den Vorratsbehälter an dem ausgewählten endgültigen Ort auf.
- Setzen Sie den Eisbereiter auf den Vorratsbehälter und halten Sie dabei den Boden fest.

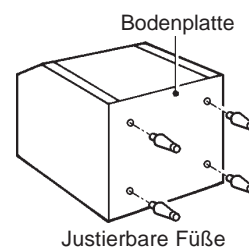


Abb. 3

- 4) Befestigen Sie den Eisbereiter mit den beiliegenden zwei Befestigungsschellen und den zwei Schrauben am Vorratsbehälter. Siehe Abb. 4.
- 5) Dichten Sie den Rand zwischen dem Eisbereiter und dem Vorratsbehälter mit einer lebensmittelechten Dichtungsmasse ab.

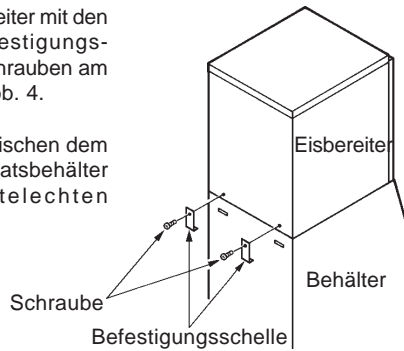


Abb. 4

- 6) Ablaufrohranschluss und Tropfenfang herausnehmen. Behälterendschalter mit den beiden mitgelieferten Schrauben und Unterlegscheiben am Halterahmen befestigen. Kabel des Behälterendschalters mit den beiden Kabelbindern befestigen. Den Eisschacht auf den Geräterahmen setzen und den Tropfenfang wieder in die richtige Position bringen. Siehe Abb. 5.

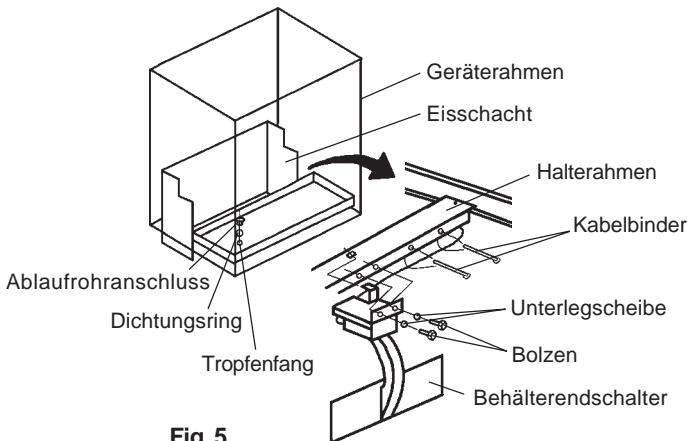


Fig. 5

- 7) Setzen Sie die Seiten-Paneele wieder ein.
- 8) Stellen Sie die vier FüÙe am Boden so ein (Einstellbereich 0 bis 25,4 mm), dass der Eisbereiter vollkommen waagrecht steht. Verwenden Sie eine Wasserwaage. Siehe Abb. 6.

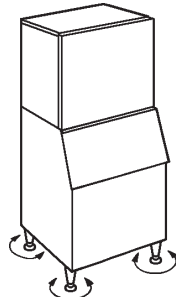


Abb. 6 FüÙe einstellen

## 4. ELEKTRISCHE ANSCHLÜSSE

### ACHTUNG

#### DIESES GERÄT MUSS GEERDET WERDEN

Dieser Eisbereiter benötigt einen Schutzkontakt, der den nationalen und lokalen Bestimmungen entspricht. Zum Schutz gegen elektrischen Schlag und/oder Maschinenschäden ist der Eisbereiter mit einem Erdleiter auszurüsten. Vor sämtlichen Wartungs-, Reparatur- oder Reinigungsarbeiten immer den Netzstecker ziehen.

- \* Diese Eismaschine darf nicht installiert werden:
  - a) wenn die Spannung nicht bei 220 - 240 V liegt,
  - b) wenn sie nicht direkt ohne Verlängerungsschnur oder Mehrwegstecker an ihre eigene Steckdose angeschlossen werden kann.
- \* Die Hauptsicherung im Steuerschrank ist für eine Stromstärke von 5 Amp. ausgelegt und nur von einem autorisierten Fachtechniker auszuwechseln.
- \* Normalerweise ist dies von einem Elektriker mit entsprechender Qualifikation auszuführen.

- \* Das Auswechseln des Netzkabels oder Netzsteckers sollte nur von einem autorisierten Fachtechniker ausgeführt werden.
- \* Die Drähte im Hauptkabel sind nach dem folgenden Farbcode gekennzeichnet:

Grün & Gelb = Erde  
 Blau = Neutral  
 Braun = Stromführend

Die Leiterfarben im Netzkabel dieses Geräts stimmen möglicherweise nicht mit den Farbmarkierungen im Stecker überein, daher immer wie folgt verfahren:

Der grün-gelbe Leiter wird an die Klemme angeschlossen, die mit dem Buchstaben E oder dem Symbol  $\perp$  oder grün bzw. grün-gelb markiert ist. Der blaue Leiter wird an die Klemme angeschlossen, die mit dem Buchstaben N oder schwarz markiert ist. Der braune Leiter wird an die Klemme angeschlossen, die mit dem Buchstaben L oder rot markiert ist.

- \* Falls der mit dem Gerät gelieferte Stecker für die Netzsteckdose am Installationsort ungeeignet ist, muß er entfernt (bzw. abgeschnitten, wenn er verkapselt ist) und durch einen passenden Stecker ersetzt werden.

Ein abgeschnittener, verkapselter (nicht zugänglicher) Stecker muß entsorgt werden. Versuchen Sie nicht, ihn wiederzuverwenden. Durch das Einstecken eines solchen Steckers in eine Netzsteckdose setzen Sie sich der Gefahr eines elektrischen Schlags aus.

## 5. WASSERVERSORGUNG UND ROHRANSCHLÜSSE

- \* Dieser Eisbereiter darf nur mit Trinkwasser gefüllt werden.
- \* Der Versorgungswasserdruck darf den Bereich zwischen 0,5 bar und 8 bar nicht unter- bzw. überschreiten. Bei einem höheren Druck als 8 bar muß ein Druckreduzierventil verwendet werden. Die Wasserzufuhr darf NICHT gedrosselt werden.
- \* In bestimmten Gebieten sind eine Installationsgenehmigung und die Dienste eines zugelassenen Installateurs erforderlich.
- \* Der Abfluß des Wasser aus dem Eisbereiter erfolgt durch Schwerkraft; daher ist auf ein ausreichendes Gefälle der Ablaufleitung zu achten.
- \* Das Wasser sollte in einen offenen Abflußkanal ablaufen.
- \* Der Vorratsbehälter hat zwei Wasserablauf-Anschlüsse. Der obere/äußere ist für den Eisbereiterausfluß, der untere/innere für den Vorratsbehälter. Die beiden Ablaufleitungen müssen getrennt sein, um Rücklauf in den Vorratsbehälter zu verhindern.
- \* Bei wassergekühlten Modellen muss möglicherweise ein Rücklaufschutz im Kühlwasserkreislauf eingebaut werden.

### [Luftgekühltes Modell]

- 1) Abgewinkeltes Ende des weißen, flexiblen Zulaufschlauchs (Zubehör) auf den G3/4-Anschluß an der Rückseite des Eisbereiters aufstecken. Dabei darauf achten, daß die Gummidichtung richtig liegt. Per Hand anziehen, bis die Verbindung dicht ist (Abb. 7).
- 2) Das andere Ende des Zulaufschlauchs auf den Wasserhahn (Abb. 8) stecken, dabei wie oben darauf achten, daß die Gummidichtung richtig liegt und festziehen. Vorsichtshalber sollte das Absperrventil in Reichweite sein.
- 3) Befestigen Sie wie gezeigt den grauen, flexiblen Ablaufschlauch (Zubehör) am R3/4-Anschluß auf der Rückseite des Vorratsbehälters. Dabei darauf achten, daß die Gummidichtung richtig liegt, damit die Verbindung dicht ist. Der Schlauch kann auf die richtige Länge zugeschnitten werden, um auf den Hauptabfluß zu passen.

Beachten: Verbindungsstücke müssen zum Gebrauch mit Trinkwasser genehmigt und geeignet sein.

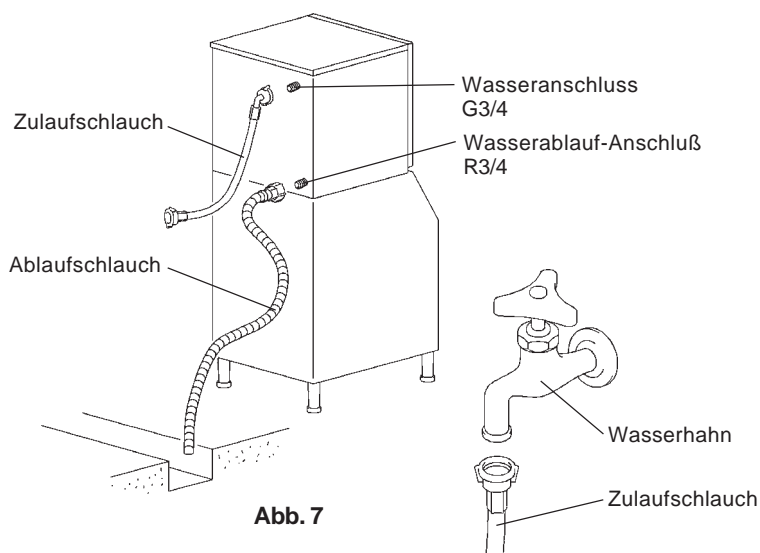


Abb. 7

Abb. 8

## [Luftgekühltes Modell]

- \* Hoshizaki empfiehlt, einen wassergekühlten Verflüssiger an ein Kühlsystem mit geschlossenem Kreislauf anzuschließen, das einen Kühlturm oder Wasserkühler o. Ä. verwendet (siehe Abb. 15 und 16). Das Auffüllen mit Wasser sollte über ein Kugelventil-Unterbrecher-Tanksystem reguliert werden.
- \* Obgleich das Anschließen eines wassergekühlten Verflüssigers an eine Trinkwasserversorgungsleitung die Leistung des Eisbereiters nicht beeinträchtigt, wird es auf alle Fälle eine(n) hohe(n) Verbrauch/Verschwendung einer wertvollen Ressource bewirken und wird daher nicht empfohlen.
- \* Die Dienste eines zugelassenen Installateurs sollten in Anspruch genommen werden, um die richtige Installation zu gewährleisten.
- \* Die Anschlüsse haben den geltenden nationalen oder lokalen Vorschriften zu entsprechen.

## [a] Standardanschlüsse nach WRC-Bestimmungen im Vereinigten Königreich (Abb. 9 und 10)

- \* Bei der Auswahl eines Kühlturms müssen Sie auf folgende Spitzenwerte für den Wärmefluss im Verflüssiger achten.

Modell IM-240AWME: 5235 W

- \* Rohre zwischen dem Kühlturm und dem Eisbereiter müssen mindestens 20 mm Durchmesser haben, um Druckverlust zu verringern, auch wenn die Anschlüsse des Eisbereiters nur 13 mm im Durchmesser sind.
- \* Der Druckverlust im Wasserkreislauf im Innern der Einheit wird 5 bis 6 m betragen, wenn das Kühlwasser mit 4 bis 5 l/min umläuft.
- \* Wählen Sie eine Umwälzpumpe, die zu den obigen Werten des Wärmeflusses passt.
- \* Benutzen Sie keine Kaskadenpumpe, da der Wasserregler dann den Fluss verändert und ihn während des Abtauzyklus stoppt.
- \* Der Siebfilter muss periodisch gereinigt werden.

## [Anschlüsse des Eisbereiters]

- 1) Abgewinkeltes Ende des weißen, flexiblen Zulaufschlauches (Zubehör) auf den G3/4-Anschluss an der linken Seite des Eisbereiters schrauben. Dabei darauf achten, dass die Gummidichtung richtig liegt. Mit der Hand ausreichend anziehen, bis

die Verbindung dicht ist.

- 2) Das andere Ende des Zulaufschlauches ist an den Wasserhahn (Abb. 8) zu schrauben, dabei wie oben darauf achten, dass die Gummidichtung richtig liegt und mit der Hand festziehen.

Hinweis: Falls eine Filtrierung oder Aufbereitung benutzt wird, müssen Sie sicherstellen, dass nur der Eisbereiterabschnitt an die aufbereitete Wasserzufuhr angeschlossen ist, nicht der Verflüssiger.

- 3) Den grauen, flexiblen Ablaufschlauch (Zubehör) wie gezeigt (Abb. 9) an den R3/4-Anschluss auf der Rückseite des Eisbereiters festschrauben. Dabei wieder darauf achten, dass der Gummidichtungsring sicher eingepasst ist, bevor man die Verbindung von Hand festschraubt. Dieser Schlauch lässt sich auf die richtige Länge, d. h. der Position des Hauptabflusses entsprechend, zuschneiden.

- 4) Mit einem geeigneten Schlüssel oder Schraubenschlüssel sind die 1/2-3/4 Stutzen (Zubehör), wie gezeigt, in die Rc1/2-Anschlüsse an der Rückseite des Eisbereiters einzuschrauben. P.T.F.E.-Band und/oder ein geeignetes Dichtmittel sind zu verwenden, um eine dichte Verbindung zu erhalten.

Hinweis: Dichtmittel müssen für den Gebrauch mit Trinkwasser genehmigt und geeignet sein.

- 5) Verbinden Sie den Kühlkreis des Verflüssigers wie gezeigt (Abb. 9) unter Verwendung eines geeigneten steifen Schlauchs mit dem freien Ende der 1/2-3/4 Stutzen. P.T.F.E.-Band und/oder ein geeignetes Dichtmittel sind zu verwenden, um eine dichte Verbindung zu erhalten.

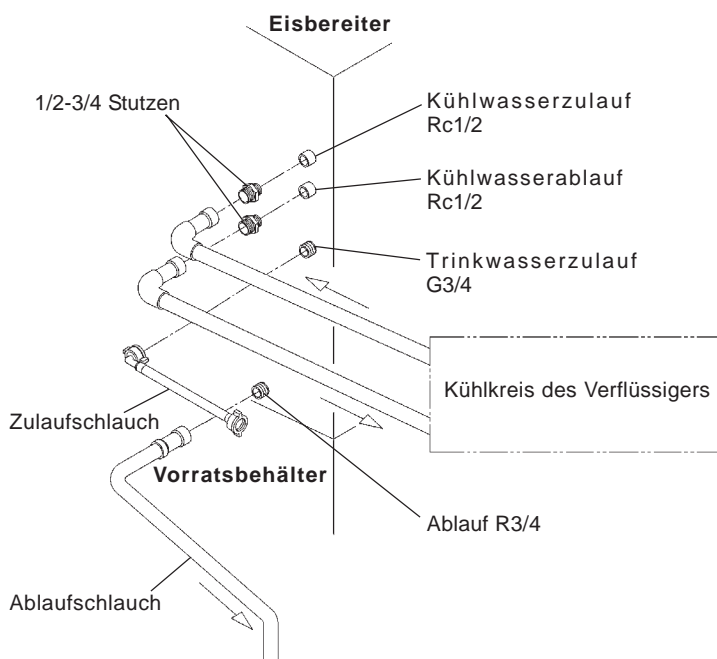


Abb. 9

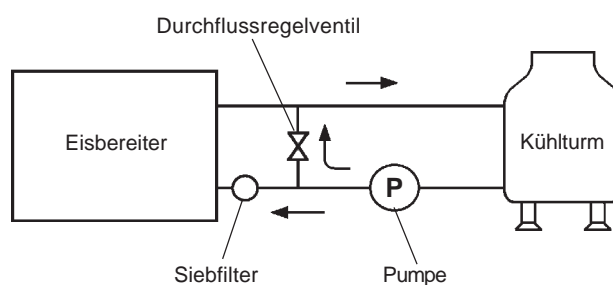


Abb. 10

## [b] Anschlüsse entsprechend anderer als der WRC-Bestimmungen mittels Verwendung von Zubehörschläuchen (Abb. 11)

- 1) Folgen Sie den obigen Anweisungen 1) bis 4) in [a].
- 2) Zum Anschluss des Verflüssigers sind die mitgelieferten Zubehörschläuche zu verwenden. Die gleichen Verbindungen wie oben in 1) bis 3) von [a] an den freien Enden der 1/2-3/4 Stutzen wie dargestellt (Abb. 11) ausführen.

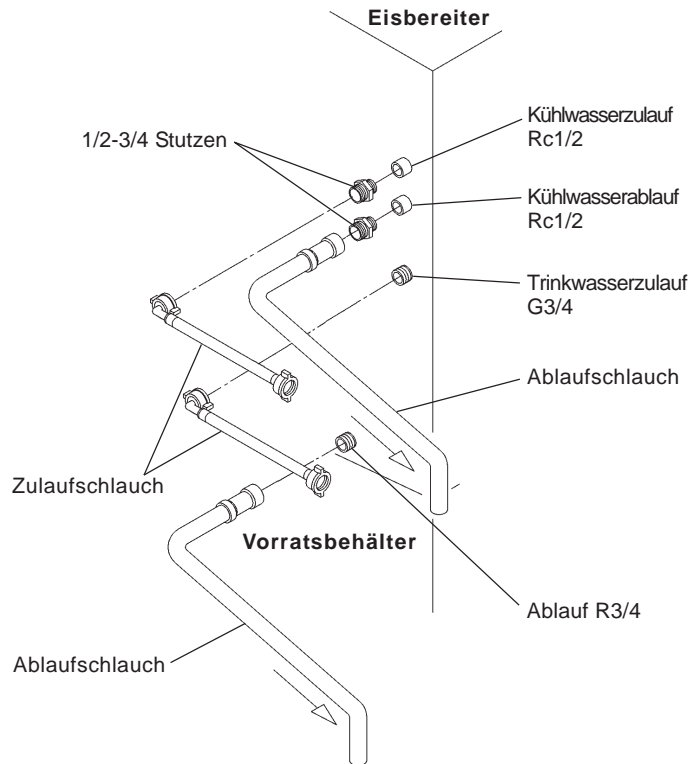


Abb. 11

## 6. INBETRIEBNAHME

- 1) Stromversorgung abtrennen.
- 2) Wasserhahn aufdrehen.
- 3) Stromversorgung wieder anschließen und einschalten.
- 4) Folgendes sollte der Reihe nach passieren:
  - a) Kompressor startet (Ventil für heißes Gas offen).
  - b) Wasserwanne öffnet sich.
  - c) Wassermagnetventil öffnet sich.
  - d) Wasserwanne beginnt sich zu schließen (Ventil für heißes Gas geschlossen).
  - e) Wasserwanne ganz geschlossen - Pumpenmotor startet.
  - f) Wassermagnetventil schließt sich.

### WICHTIG

1. Zustand und Qualität der Eisbereitung prüfen.
2. Kein Eis aus Probeläufen benutzen. Es kann noch mit Fremdstoffen aus dem Wasserkreislauf verunreinigt sein. Entsorgen oder in den Abfluß spülen.
3. Reinigen Sie den Vorratsbehälter vor seiner Verwendung (siehe "III 1. REINIGUNG" in der Bedienungsanleitung).

## 7. ABSCHLIESSENDEPRÜFUNGEN

- 1) Ist die Installation ohne Lecks?
- 2) Läuft der Eisbereiter vibrationslos?

3) Sind alle Platten fest und sicher?

4) Wurde der Anwender in die korrekte Bedienung der Maschine eingewiesen und wurde ihm die Bedienungsanleitung übergeben?

## BELANGRIJK

1. Voor een goede veilige installatie van het product moet u dit boekje van tevoren lezen en de instructies erin opvolgen.
2. Bij voltooiing van de installatie moet u de ijsblokjesmachine opstarten om te controleren op afwijkingen en de gebruiker instructies te geven over hoe de ijsmachine moet worden gebruikt en onderhouden in overeenstemming met de instructiehandleiding.
3. Dit boekje moet na de installatie aan de gebruiker worden overhandigd en samen met de instructiehandleiding worden bewaard voor als er verdere raadpleging nodig is.

## WAARSCHUWING

Het installeren moet worden uitgevoerd door gekwalificeerde personen, in overeenstemming met de geldende regulaties en overeenkomstig de instructies van de fabrikant.

## 1. UITPAKKEN

### WAARSCHUWING

Houd de verpakking (plastic zakken en polystyreenschuim) uit de buurt van kinderen. Deze producten vormen een potentieel gevaar.

### VOORZICHTIG

Verwijder al het karton, plakband en verpakkingsmateriaal. Achtergebleven verpakkingsmaterialen hebben een nadelig effect op de goede werking van de machine.

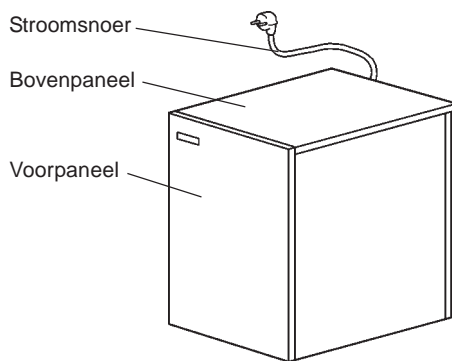
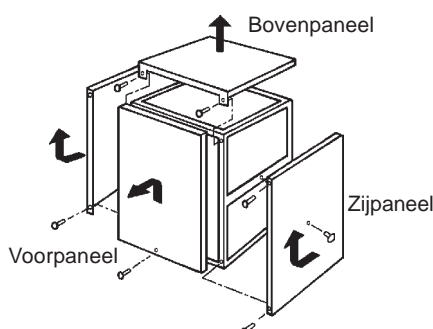


Fig. 1

N.B.: De ijsmachine moet op een opslagbak geplaatst worden. De aanbevolen opslagbak is HOSHIZAKI IJSOPSLAGBAK, Model B-300SD(PD) of B-500SD(PD) met Top Kit - 8C, B-700SD(PD) met Top Kit - 22C, of B-900SD(PD) met Top Kit - 22C en Top Kit - 8C.

- 1) Na de verpakking verwijderd de te hebben moet u controleren of de ijsblokjesmachine en de voorraadbunker in goede staat zijn. Bij twijfel moet u de apparatuur niet gebruiken, maar moet u de hulp van professioneel gekwalificeerd personeel inroepen. Zie het instructieblad dat aan de voorraadbunker zit voor de uitpak- en installatierichtlijnen.
- 2) Verwijder de panelen van de ijsblokjesmachine om bij de accessoirekit te kunnen en om de installatie te vergemakkelijken.



Bovenpaneel: Verwijder de schroef. Til het paneel er af.

Voorpaneel: Verwijder de schroef. Til het paneel op en naar u toe.

Zijpaneel: Verwijder de schroef. Trek het paneel iets naar u toe en til het er af.

Fig. 2

- 3) Verwijde het accessoirepakket en controleer de inhoud:

a) Installatiekit (Luchtgekoeld)	
Toevoerslang	1
Afvoerslang	1
Installatieset (modellen met waterkoeling)	
Toevoerslang	2
Afvoerslang	2
1/2"-3/4" nippel	2
b) Ijsschep	1
c) Ijsafvoertrechter	1
d) Afvoerpijphals	1
e) Pakking	1
f) Montagebeugel	2

- 4) Verwijder de tape waarmee de bunkerschakelaar is vastgezet.

- 5) Verwijder de beschermfolie van de buitenkant van de machine. Indien de machine is blootgesteld aan zonlicht of hitte, kan de beschermfolie pas worden verwijderd nadat de machine is afgekoeld.

## 2. LOCATIE

### BELANGRIJK

1. Deze ijsmachine is niet ontworpen voor gebruik buitenshuis. De normale omgevingstemperatuur ligt tussen de 1°C tot 40°C. De normale watertemperatuur ligt tussen 5°C en 35°C. Langdurig gebruik van de ijsmachine buiten deze temperatuurgebieden kan gevolgen hebben op de productiecapaciteit.
2. De ijsblokjesmachine mag niet worden geplaatst naast ovens, grills of andere hitte-producerende apparatuur.
3. De ondergrond van de machine moet vlak en stevig zijn.
4. Houd voor goede luchtcirculatie en gemak bij onderhoud en/of service een ruimte van 60cm aan de achterkant en bovenkant vrij.
5. Deze machine is niet geschikt voor installatie op een locatie waar een hogedrukreiniger wordt gebruikt en waar druppels niet zijn toegestaan.
6. Er mag niets bovenop de machine of voor de ventilatieroosters worden geplaatst.
7. Deze machine werkt niet bij vorsttemperaturen. Om te voorkomen dat de watertoevoerleiding beschadigd raakt moet u de machine leeg laten lopen als de luchttemperatuur onder nul is.

## 3. INSTALLATIE

\* Verkeerde installatie kan schadelijk zijn voor mensen, dieren en voorwerpen, waarvoor de fabrikant niet aansprakelijk kan worden gesteld.

- 1) Schroef de vier steunpoten (bijgeleverd als opslagbak-accessoire) volledig in de onderkant van de opslagbak: zie Fig.3.
- 2) Positioneer de opslagbak op de gekozen permanente plaats.
- 3) Zet de ijsmachine op de opslagbak (onder de bodem vasthouden).

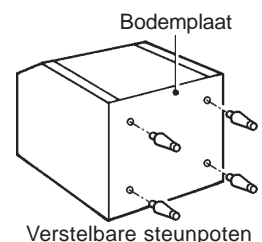


Fig. 3



- 4) Bevestig de ijsmachine aan de opslagbak met behulp van de bijgeleverde twee montagebeugels en twee bouten: zie Fig.4.
- 5) Sluit de naad tussen de ijsmachine en de opslagbak met een voor voedsel goedgekeurd afdichtmiddel.

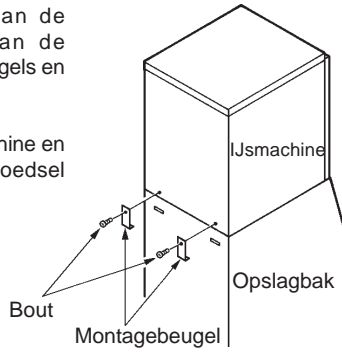


Fig. 4

- 6) Verwijder het afvoerpijpje en de lekbak. Bevestig de bunkerschakelaar aan het montageframe met de twee meegeleverde bouten en platte sluitingen. Bevestig de bedrading van de bunkerschakelaar met de twee kunststof trekbandjes. Plaats de ijsglijgoot op het machineframe en plaats de lekbak terug. Zie afb. 5.

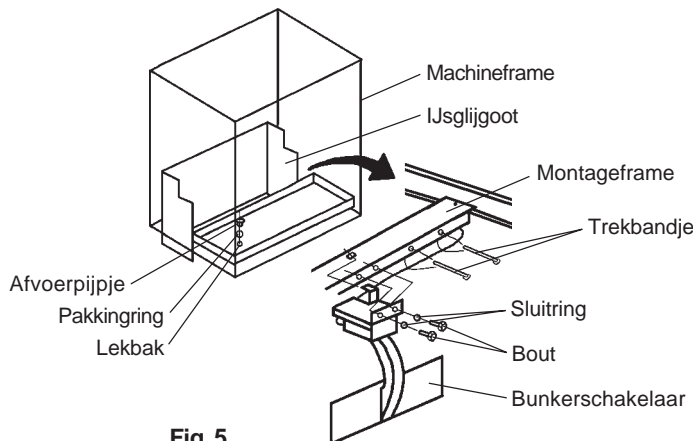


Fig. 5

- 7) Zet de zijpanelen weer in hun juiste stand.
- 8) Stel de vier steunpoten in de bodem bij (regelbaar van 0-25,4 mm) om de ijsmachine een perfect horizontale positie te geven: zie Fig.6.

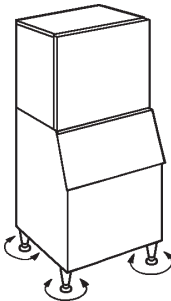


Fig. 6 Afstelling steunpoten

## 4. ELEKTRISCHE AANSLUITINGEN

### WAARSCHUWING

#### DIT APPARAAT MOET GEAARD WORDEN

Deze ijsmachine moet worden geaard overeenkomstig de nationale en plaatselijke voorschriften. Om elektrocutie van personen of schade aan de apparatuur te voorkomen moet een geschikte aardingsdraad worden aangebracht. Voordat met onderhoud, reparatie of reiniging wordt begonnen moet de stekker uit het stopcontact worden genomen.

- \* Installeer de ijsmachine niet op plaatsen:
  - a) waar de netvoeding buiten 220 - 240 V ligt.
  - b) waar de ijsmachine niet direct op de netvoeding aangesloten kan worden, zonder verlengsnoer of gedeelde contactdoos.
- \* De zekering in de hoofdschakelkast is nominaal 5A en mag alleen door een gekwalificeerde onderhoudsmonteur worden vervangen.
- \* Gewoonlijk is een vergunning nodig en moet een bevoegde elektricien worden geraadpleegd.
- \* Indien het elektrische snoer en de stekker moeten worden vervangen, dient dit te worden gedaan door een gekwalificeerde onderhoudsmonteur.

- \* De draden in de voedingskabel zijn gekleurd overeenkomstig de volgende code:

Groen en geel = aarde  
 Blauw = neutraal  
 Bruin = fase

Omdat de kleuren van de draden in de voedingskabel van dit apparaat een andere kleur kunnen hebben dan die van de klemmen in uw stekker, moet als volgt te werk worden gegaan:

De geel met groene draad moet op de klem in de stekker worden aangesloten die is gemerkt met de letter E, of met het symbool  $\perp$ , of die groen of groen/geel gekleurd is. De blauwe draad moet worden aangesloten op de klem die is gemerkt met de letter N, of die zwart gekleurd is. De bruine draad moet op de klem worden aangesloten die is gemerkt met de letter L, of die rood gekleurd is.

- \* Indien het stopcontact op de plaats van installatie niet geschikt is voor de bijgeleverde stekker, moet de stekker worden verwijderd (afsnijden indien het een gegoten stekker is) en door een passende stekker worden vervangen.

Een gegoten stekker die van het snoer is afgesneden moet worden weggegooid en mag niet opnieuw gebruikt worden. Het aanbrengen van zo'n stekker in een stopcontact ergens anders houdt een ernstig risico op elektrocutie in.

## 5. AANSLUITINGEN VOOR WATERTOEFVOER EN WATERAFVOER

- \* Er mag alleen drinkwater worden gebruikt voor de ijsmachine.
- \* De toegevoerde waterdruk moet ten minste 0,5 bar en maximaal 8 bar bedragen. Indien de waterdruk meer is dan 8 bar, moet gebruik gemaakt worden van een reduceerventiel. De watertoevoer kraan mag voor dit doel NIET gedeeltelijk worden dichtgedraaid.
- \* In sommige gebieden is een loodgietersvergunning nodig, en de diensten van een bevoegde loodgieter.
- \* Het afvoerwater van de ijsmachine stroomt onder natuurlijk verval; zorg voor een afvoerbuis op een geschikte hoogte en een goed verval.
- \* Het water moet worden afgevoerd in een open waterslot.
- \* De voorraadbunker heeft twee waterafvoeren. De bovenste/buitenste is voor afval van de ijsmachine, en onderste/binnenste is voor de bunker. De twee afvoerleidingen moeten worden gescheiden om terugstromen in de opslagbunker te voorkomen.
- \* Bij het watergekoelde model kan het nodig zijn een terugslagklep in het koelwatercircuit te plaatsen.

### [Luchtgekoeld model]

- 1) Bevestig het gebogen uiteinde van de witte buigzame toevoerbuiss (accessoire) aan de G3/4 aansluiting aan de achterkant van de ijsmachine zoals aangegeven. Zorg er daarbij voor dat de rubber afdichtingsring goed is aangebracht. Draai voldoende aan met de hand voor een lekvrije aansluiting. (Fig. 7.)
- 2) Bevestig het andere uiteinde van de toevoerslang aan de watertoevoer (Fig. 8) en let op of de afdichtingsring goed is aangebracht voordat u die volgens bovenstaande instructies met de hand aandraait. Houd als voorzorgsmaatregel een afsluiter binnen handbereik.
- 3) Draai de grijze buigzame afvoerslang (accessoire) op de R3/4 aansluiting aan de achterkant van de voorraadbunker zoals aangegeven, en zorg ervoor dat de rubber afdichtingsring goed is aangebracht voor een lekvrije aansluiting. De slang kan znodig op lengte worden gesneden voor een passende aansluiting op de hoofdafvoer.

N.B.: Verbindingspasta's moeten goedgekeurd zijn en geschikt voor gebruik met drinkwater.

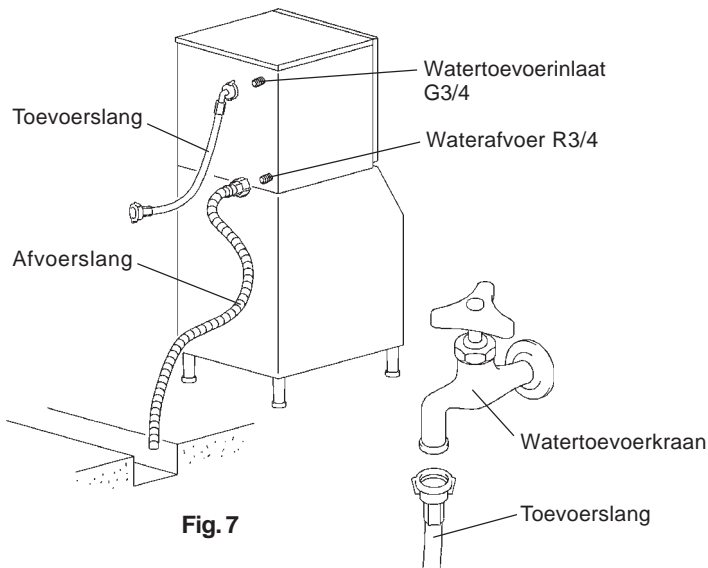


Fig. 7

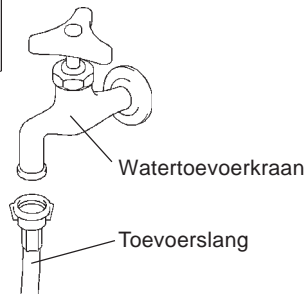


Fig. 8

### [Watergekoeld model]

\* Hoshizaki raadt aan om de watergekoelde condensor aan te sluiten op een hercircularend koelsysteem met gesloten circuit, voorzien van een toren, waterkoeler of gelijksoortige installatie (zie fig. 15 en 16). Het vullen met water moet via een kogelventiel/mengvat plaatsvinden.

\* Hoewel het aansluiten van een watergekoelde condensor op een drinkwaterleiding geen invloed heeft op de prestaties van de machine, wordt dit in verband met het hoge verbruik afgeraden.

\* Voor een correcte installatie moet een bevoegde of erkende loodgieter worden ingeschakeld.

\* De aansluitingen moeten in overeenstemming zijn met de van toepassing zijnde landelijke of plaatselijke voorschriften.

### [a] Standaardaansluitingen volgens WRC-voorschriften in het Verenigd Koninkrijk (fig. 9 en 10)

\* Bij het kiezen van een koeltoren moet u de rekening houden met de volgende piekwaarden van de warmtestroming in de condensor:

Model IM-240AWME: 5235 W

\* Leidingen tussen de koeltoren en de ijsmachine moeten minstens 20 mm in doorsnee zijn om drukverlies op te vangen, ondanks dat de aansluitingen van de ijsmachine zelf 13 mm in doorsnee zijn.

\* Drukverlies in het watercircuit binnen de ijsmachine zal 5 tot 6 m bedragen als het koelwater een stroomsnelheid heeft van 4 tot 5 l/min.

\* Houd bij het selecteren van een circulatiepomp rekening met bovenstaande warmtestromingswaarden.

\* Gebruik geen cascadepomp omdat het waterregelventiel de stroming zal variëren en deze tijdens de ontdooicyclus zal stoppen.

\* De filterzeef moet periodiek worden schoongemaakt.

### [Ijsmachineaansluitingen]

1) Bevestig het gebogen uiteinde van de flexibele witte toevoerslang (accessoire) aan de G 3/4" aansluiting op de linkerkant van de ijsmachine zoals weergegeven. Let er daarbij op dat de rubber afdichtring goed is aangebracht. Voorkom lekkage door de

aansluiting handvast aan te draaien.

2) Bevestig het andere uiteinde van de toevoerslang aan de watertoevoerkraan (fig. 8). Let er daarbij op dat de afdichtring goed is aangebracht voordat u de aansluiting handvast aandraait, zoals hierboven.

Opmerking: indien waterfiltering of -zuivering wordt gebruikt, dient u ervoor te zorgen dat alleen de ijsmachine is aangesloten op de gezuiverde watertoevoer, niet de condensor.

3) Draai de flexibele grijze afvoerslang (accessoire) handvast aan op de R 3/4" aansluiting aan de achterkant van de ijsmachine zoals aangegeven in fig. 9. Zorg er daarbij voor dat de rubber afdichtring goed is aangebracht voor een lekvrije aansluiting. Deze slang kan zo nodig op lengte worden gesneden voor een passende aansluiting op de hoofdafvoer.

4) Draai de 1/2"-3/4" nippels (accessoire) met behulp van een geschikte (schroef)sleutel in de 1/2" aansluitingen aan de achterkant van de ijsmachine zoals weergegeven. Voor een lekvrije verbinding moet PTFE-tape en/of een geschikte afdichtingspasta worden gebruikt.

Opmerking: de koppelingselementen moeten zijn goedgekeurd en moeten geschikt zijn voor gebruik met drinkwater.

5) Sluit het condensorkoelcircuit aan op het vrije uiteinde van de 1/2"-3/4" nippels zoals aangegeven in fig. 9 met een geschikte starre pijp. Voor een lekvrije verbinding moet PTFE-tape en/of een geschikte afdichtingspasta worden gebruikt.

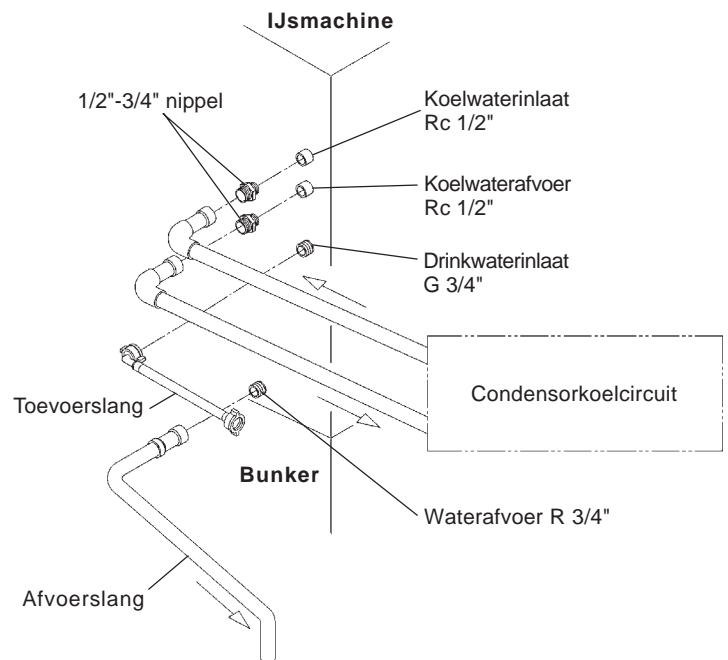


Fig. 9

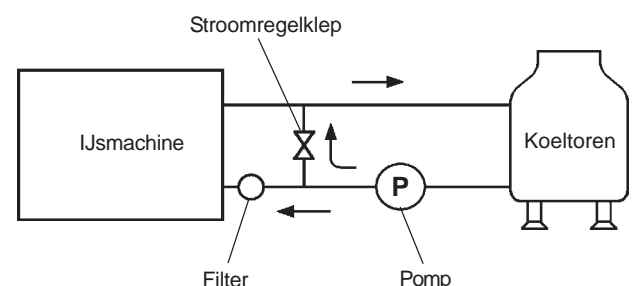
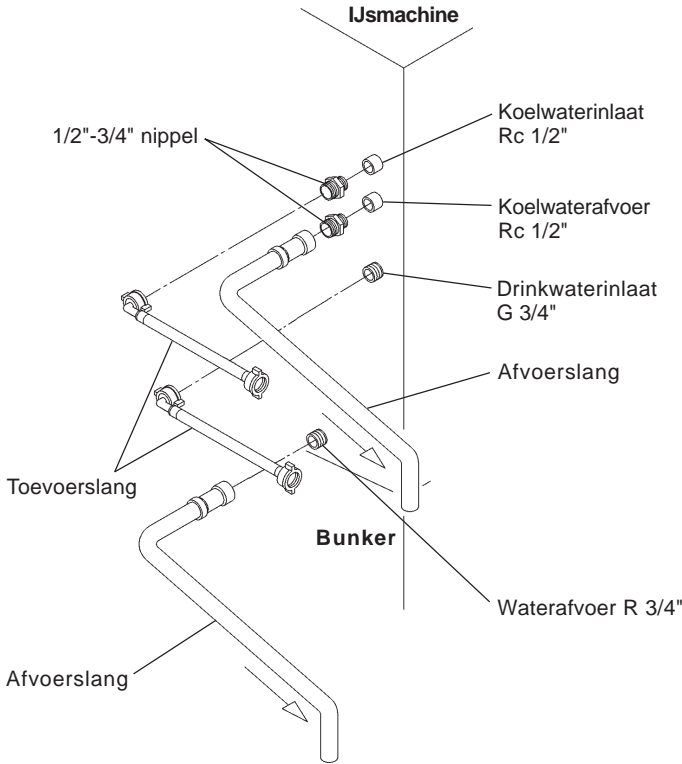


Fig. 10

**[b] Aansluitingen volgens de voorschriften die afwijken van de WRC-voorschriften, met gebruikmaking van meegeleverde slangen (fig. 11)**

- 1) Volg de instructies van 1) tot 4) zoals in [a] hierboven.
- 2) Voor condensoraansluitingen moet u de meegeleverde slangen gebruiken en dezelfde aansluitingen maken als 1) tot en met 3), zoals in [a] boven op de vrije uiteinden van de 1/2"-3/4" nippels zoals aangegeven in fig. 11.



**Fig. 11**

## 6. STARTPROCEDURE

- 1) Sluit de voeding af.
- 2) Open de watertoevoer.
- 3) Sluit de voeding aan en zet de machine aan.
- 4) Het volgende moet in deze volgorde gebeuren:
  - a) De compressor start (heetgasklep open).
  - b) Waterbak opent volledig.
  - c) Waterklep opent.
  - d) Waterbak begint te sluiten (heetgasklep gesloten)
  - e) Waterbak volledig gesloten - pompmotor start.
  - f) Waterklep sluit.

### BELANGRIJK

1. Controleer de staat en kwaliteit van het geproduceerde ijs.
2. Gebruik geen ijs dat in de proefdraai is geproduceerd. Het kan verontreinigd zijn met ongewenste stoffen die zich in het watercircuit bevonden. Gooi het weg, of spoel het door de afvoer.
3. Reinig de opslagbak voorafgaande aan gebruik (zie "III. 1 REINIGING" in de gebruikshandleiding).

## 7. LAATSTE CONTROLES

- 1) Is de installatie lekvrij?

- 2) Is de ijsmachine trillingsvrij?
- 3) Zijn de panelen aangebracht en zitten ze vast?
- 4) Heeft de gebruiker instructies gehad over correct machinegebruik en is de instructiehandleiding overhandigd?

## IMPORTANTE

1. Para llevar a cabo una instalación segura y correcta del producto, lea este libro cuidadosamente de antemano y siga las instrucciones contenidas en él.
2. Al finalizar la instalación, ponga en marcha el dispensador de hielo para comprobar irregularidades y facilite instrucciones al usuario sobre la forma de uso y mantenimiento del dispensador de acuerdo con el manual de instrucciones.
3. Este libro debe entregarse al usuario después de la instalación y el usuario debe guardarlo con el manual de instrucciones para las consultas posteriores que puedan ser necesarias.

## ADVERTENCIA

**Sólo deberá realizar la instalación el personal capacitado,** de conformidad con las normativas en vigor, y siguiendo las instrucciones del fabricante.

## 1. DESEMBALADO

### ADVERTENCIA

Mantener a los niños alejados de los componentes de embalaje (bolsas de plástico y poliestireno estirado) ya que pueden ser posibles fuentes de peligro.

### PRECAUCION

Retirar el cartón de embalaje, cinta(s) y empaquetado, si los materiales de embalaje se dejan dentro del dispensador, no funcionará correctamente.

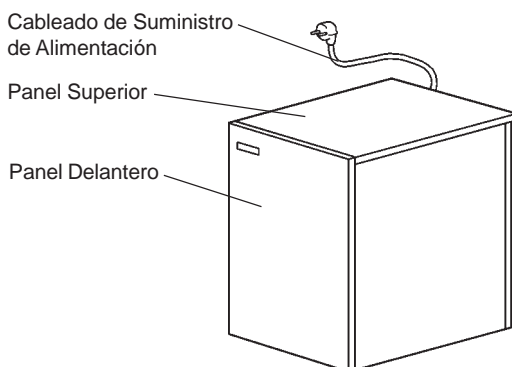
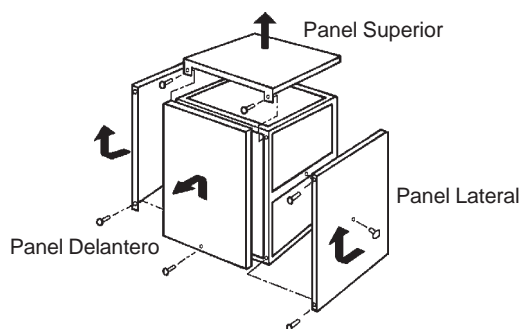


Fig. 1

Nota: Esta máquina de cubitos de hielo necesita una Cubeta de Almacén. La Cubeta de Almacén recomendada es la CUBETA DE ALMACEN HOSHIZAKI, Modelo B-300SD(PD) o B-500SD(PD) con Juego Superior - 8C, B-700SD(PD) con Juego Superior - 22C, o B-900SD(PD) con Juego Superior - 22C y Juego Superior - 8C.

- 1) Tras retirar el embalaje, asegúrese de que el dispensador de hielo se encuentra en buenas condiciones. En caso de duda, no utilice el equipo y acuda al personal profesional cualificado. Consultar las indicaciones de desembalaje e instalación en la hoja de instrucciones que acompaña a la cubeta de almacén.
- 2) Retirar los paneles del productor de hielo para acceder al kit de accesorios y hacer más fácil la instalación.



- Panel Superior: Quite el tornillo. Sáquelo.  
 Panel Delantero: Quite el tornillo. Levántelo y tire hacia usted.  
 Panel Lateral: Quite el tornillo. Tire ligeramente hacia usted y sáquelo.

Fig. 2

- 3) Retirar el paquete de accesorios, y revisar el contenido:
  - a) Juego de Instalación (Refrigerado por aire)
 

Manguera de entrada	1
Manguera de salida	1
Juego de Instalación (Refrigerado por aire)	
Manguera de entrada	2
Manguera de salida	2
Boquilla 1/2-3/4	2
  - b) Depurador 1
  - c) Descargador de hielo 1
  - d) Collar de tubería de desagüe 1
  - e) Guarnición estanca 1
  - f) Abrazadera de Montaje 2
- 4) Retirar la cinta de embalaje que sujeta el interruptor de control de la cubeta.
- 5) Retirar la lámina de plástico protectora. Si el productor es expuesto al sol o al calor, retirar la lámina después de que el productor se haya enfriado.

## 2. SITUACION

### IMPORTANTE

1. Este dispensador de hielo no está concebido para usar en el exterior. La temperatura ambiente normal de operación deberá estar entre 1°C y 40°C. La temperatura normal del agua de operación deberá estar entre 5°C y 35°C. La operación del dispensador de hielo, durante periodos largos, fuera de estas temperaturas normales podrá afectar a la capacidad de producción.
2. El dispensador de hielo no se deberá instalar cerca de hornos, parrillas ni otro equipo que produzca fuerte calor.
3. El lugar de instalación debe ser firme y nivelada para el equipo.
4. Se deberán dejar 60cms. de espacio en la partes superior y trasera para una buena circulación del aire y facilidad de mantenimiento y/o servicio en caso necesario.
5. Este aparato no es aconsejable para su instalación en una zona donde se pueda usar un chorro de agua y donde no pueda gotear.
6. No colocar nada sobre el productor de hielo ni enfrente de la rejilla.
7. El productor no funcionará a temperaturas por debajo de congelación. Para evitar que se dañe la conducción de la acometida de agua, drenar el productor cuando la temperatura del aire sea inferior a cero grados.

## 3. INSTALACION

\* Una instalación incorrecta puede provocar daños a las personas, animales o cosas, por lo que el fabricante no puede hacerse responsable.

- 1) Atornille completamente las cuatro patas proporcionadas (accesorio de la cubeta) en la parte inferior de la Cubeta de Almacén. Ver Fig. 3.
- 2) Coloque la Cubeta de Almacén en el lugar permanente seleccionado.
- 3) Coloque la maquina de cubitos encima de la Cubeta de Almacén sujetándola por la parte inferior.

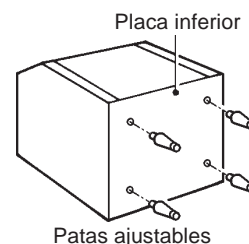


Fig. 3

4) Asegure la máquina de cubitos en la Cubeta de Almacén, utilizando las dos abrazaderas de montaje y los dos pernos proporcionados. Ver Fig. 4.

5) Selle la fisura entre la máquina de cubitos y la Cubeta de Almacén con un sellador que pueda estar en contacto con alimentos.

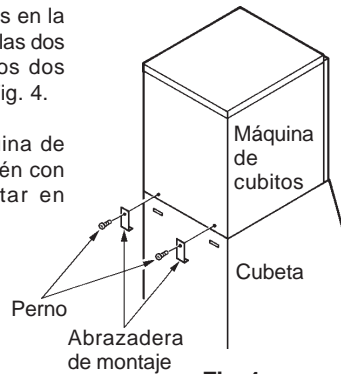


Fig. 4

6) Extraiga el manguito del tubo de drenaje y la bandeja de drenaje. Sujete el interruptor de control de la cuba al bastidor de montaje con los dos tornillos y las arandelas planas que se suministran. Sujete los cables del interruptor de control de la cuba con las dos abrazaderas de nylon. Coloque la vertedera de hielo en el bastidor de la unidad y vuelva a montar la bandeja de drenaje en su posición correcta. Véase la figura 5.

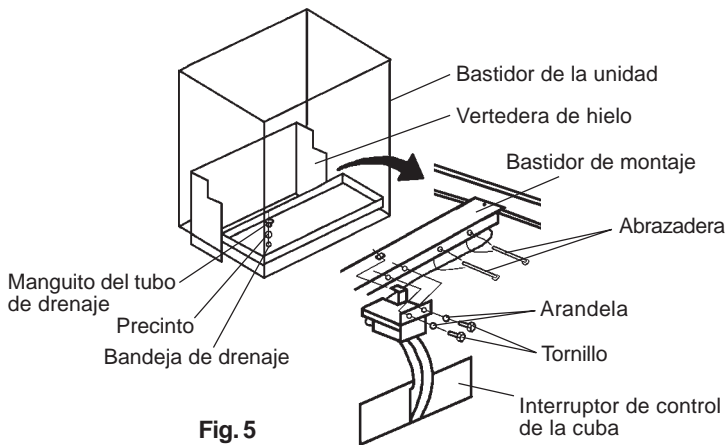


Fig. 5

7) Vuelva a instalar los Paneles Laterales en su posición correcta.

8) Ajuste las cuatro patas en la parte inferior (ajustable de 0 a 25,4 mm) para tener la máquina de cubitos perfectamente horizontal. Utilice el nivel de aire. Ver Fig. 4.

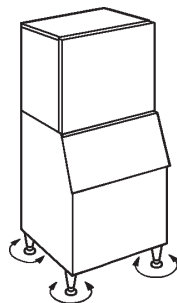


Fig. 6 Ajustar las Patas

## 4. CONEXION ELECTRICA

### ADVERTENCIA

#### ESTE APARATO SE DEBE CONECTAR A TIERRA

Este dispensador de hielo necesita una conexión a tierra que cumpla con las normativas del código de electricidad nacional y local. Para evitar la posible descarga eléctrica severa a personas, o gran daño al equipo, instalar un cable a tierra adecuado en el dispensador de hielo. Retirar el enchufe de la corriente antes de realizar cualquier mantenimiento, reparación o limpieza.

- \* Esta máquina de cubitos de hielo no debe instalarse:
  - a) Donde el suministro de alimentación no esté entre 220 - 240V.
  - b) Donde la máquina de cubitos de hielo no pueda conectarse directamente sin utilizar una alargadera o compartir un enchufe.
- \* El fusible de la caja principal de control tiene una potencia de 5 A y sólo podrá ser cambiado por un electricista cualificado.
- \* Normalmente se recurre al permiso eléctrico y servicios de un electricista autorizado.

\* Si se necesitara acoplar o sustituir un cable de potencia o un enchufe, la reparación debe efectuarla un ingeniero cualificado del servicio técnico.

\* Los cables en el cordón de corriente son de color conforme al siguiente código.

Verde y Amarillo = Tierra  
Azul = Neutro  
Marrón = Corriente

Debido a que los colores del cable en el cordón de corriente de este aparato puede que no correspondan con las marcas de colores que identifican las bornas en su enchufe, proceda como sigue:

El cable de color Verde y Amarillo se debe conectar a la borna en el enchufe marcado con la letra E o con el símbolo  $\perp$  o de color verde o verde y amarillo. El cable de color azul se deberá conectar a la borna marcada con la letra N o de color negro. El cable de color marrón se debe conectar a la borna marcada con la letra L o de color rojo.

\* En caso de que las salidas del enchufe en el punto de instalación no sean adecuadas para el enchufe suministrado con el aparato, se deberá quitar el enchufe (cortar si está moldeado en el enchufe) e instalar uno correcto.

Si se ha cortado el enchufe no rebobinable del cordón de corriente, se deberá tirar. No se debe tratar de usar. Si se introduce este enchufe en otro punto presenta un serio riesgo de descarga eléctrica.

## 5. SUMINISTRO DE AGUA Y CONEXIONES DE DESAGUE

- \* Sólo se deberá usar agua potable en este dispensador de hielo.
- \* La presión de acometida de agua deberá ser de un mínimo de 0,5 bares y un máximo de 8 bares. Si la presión supera los 8 bares, se deberá usar una válvula de reducción de presión. NO se debe reducir la presión del grifo de acometida.
- \* En algunas zonas pueden ser necesarios un permiso de fontanería y los servicios de un fontanero capacitado.
- \* En los modelos refrigerados con agua podría ser necesario instalar un dispositivo para evitar la contracorriente en el circuito de agua de refrigeración.
- \* El agua deberá desaguar en un desagüe abierto.
- \* La cubeta de almacén tiene dos salidas de desagüe. La superior/ exterior es para recoger líquido procedente del productor y la inferior/interior es para la cubeta. Los dos conductos de desagüe deben estar separados para evitar la contracorriente dentro de la cubeta de almacén.
- \* El agua deberá desaguar en un desagüe abierto.

### [Modelo refrigerado por aire]

- 1) Instalar un extremo en codo de tubería de entrada flexible blanca (accesorio) en el accesorio G3/4 de la parte trasera del productor de hielo, como se indica en la fig. 7, y asegurarse de que la arandela de junta de goma esté correctamente colocada. Apretar con la mano lo suficiente para para obtener una unión estanca.
- 2) Instalar el otro extremo de la tubería de entrada en el grifo de agua (fig. 8) y asegurarse de que la arandela esté correctamente colocada antes de apretar la unión con la mano como se ha indicado en el punto anterior. Se recomienda tener cerca una válvula de cierre como medida de precaución.
- 3) Apretar con la mano la tubería de salida flexible gris (accesorio) en el accesorio R3/4 de la parte trasera del productor, como se indica en la fig. 7, y asegurarse de que la arandela de goma esté correctamente colocada para obtener una unión estanca. Podrá



cortarse la tubería según sea necesario para adecuarla a la posición del desagüe principal.

Nota: Los compuestos de unión que se utilicen deberán ser autorizados y adecuados para su uso con agua potable.

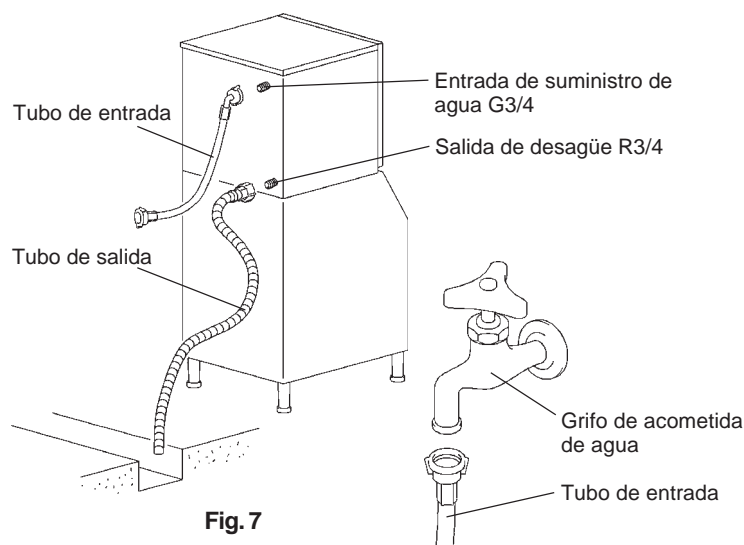


Fig. 7

Fig. 8

### [Modelo refrigerado por agua]

\* Hoshizaki recomienda conectar el condensador refrigerado por agua a un sistema de refrigeración de circuito cerrado que utilice una torre, refrigerador de agua o similar (véanse las Ilustraciones 15 y 16). La admisión de agua debe efectuarse mediante una disposición con válvula de bola/dépósito de vaciado.

\* Aunque conectar un condensador refrigerado por agua a la red de suministro general de agua (potable) no afectará al funcionamiento de la máquina, con toda probabilidad provocará un alto consumo/ desperdicio de un recurso valioso, por lo que no se recomienda.

\* Para asegurar una correcta instalación debe recurrirse a los servicios de un fontanero acreditado.

\* Las conexiones deben efectuarse adecuadamente y conforme a las normativas nacionales o locales vigentes.

### [a] Conexiones estándar conforme a las normativas WRC en el Reino Unido (Ilust. 9 y 10)

\* Para seleccionar una torre de refrigeración, remítase a los valores máximos siguientes de flujo de calor en el condensador:

Modelo IM-240AWME: 5235 W

\* Los tubos entre la torre de refrigeración y la máquina de hielo deben tener un diámetro mínimo de 20 mm a fin de reducir la pérdida de presión, aun cuando los racores de la máquina tengan un diámetro de 13 mm.

\* La pérdida de presión en el circuito de agua en el interior de la unidad será de 5-6 m cuando el agua de refrigeración circule a 4-5 l/min.

\* Seleccione una bomba de circulación conforme a los valores anteriormente indicados de flujo de calor.

\* No utilice una bomba en cascada, puesto que el regulador de agua alterará el caudal y lo detendrá durante el ciclo de descongelación.

\* El filtro debe limpiarse periódicamente.

### [Conexiones de la máquina de hielo]

1) Una el extremo acodado del tubo flexible de entrada (accesorio) al

racor G3/4 en la parte izquierda de la máquina de hielo, tal como se muestra, verificando que la junta de goma quede correctamente colocada. Apriete a mano lo suficiente para que la junta esté totalmente cerrada.

2) Una el otro extremo del tubo de entrada a la llave de paso de agua (Ilust. 8) verificando que la junta de goma quede correctamente colocada antes de apretar a mano como se describe anteriormente.

Nota: Si se utiliza un filtro o tratamiento del agua, verifique que sólo se suministre agua tratada a la parte de fabricación de hielo, no al condensador.

3) Una el tubo flexible gris de salida (accesorio) al racor R3/4 en la parte posterior de la máquina de hielo, tal como se muestra (Ilust. 9), verificando que la junta de goma quede correctamente colocada antes de apretar a mano la unión. Este conducto puede cortarse a la longitud necesaria para adaptarlo al colector de drenaje.

4) Con unos alicates o una llave adecuada, apriete las boquillas 1/2-3/4 (accesorio) a los racores Rc1/2 de la parte posterior de la máquina, tal como se muestra. Debe utilizarse cinta P.T.F.E. y/o un compuesto sellador adecuado para obtener una junta estanca.

Nota: Los componentes de la junta deben ser adecuados y homologados para uso con agua potable.

5) Conecte el circuito de refrigeración del condensador al extremo libre de las boquillas 1/2-3/4 como se muestra (Ilust. 9) mediante un tubo de tipo rígido adecuado. Debe utilizarse cinta P.T.F.E. y un compuesto sellador adecuado para obtener una junta estanca.

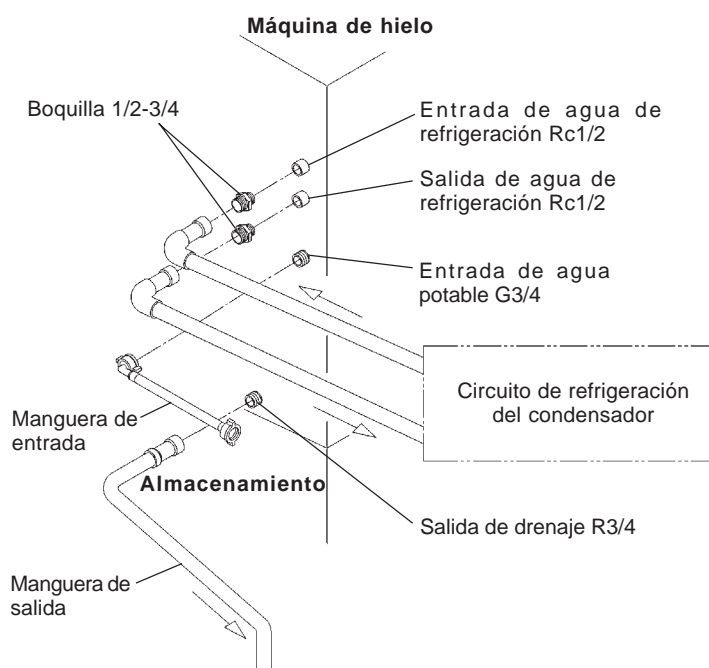


Fig. 9

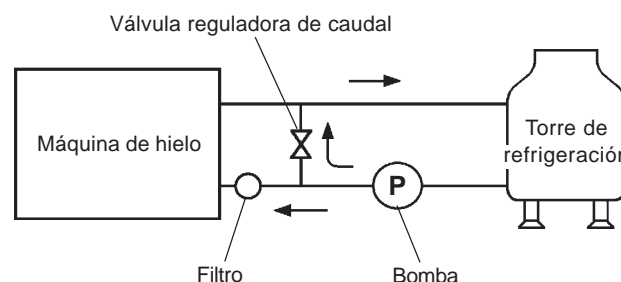


Fig. 10



## [b] Conexiones conforme a normativas diferentes a WRC con tubos accesorios (Ilust. 11)

- 1) Siga los pasos 1) a 4) descritos anteriormente en [a].
- 2) Para las conexiones del condensador utilice los tubos accesorios que se suministran y realice las mismas conexiones 1) a 3) de l apartado [a] anterior en el extremo libre de las boquillas 1/2-3/4 como se muestra (Ilust. 11).

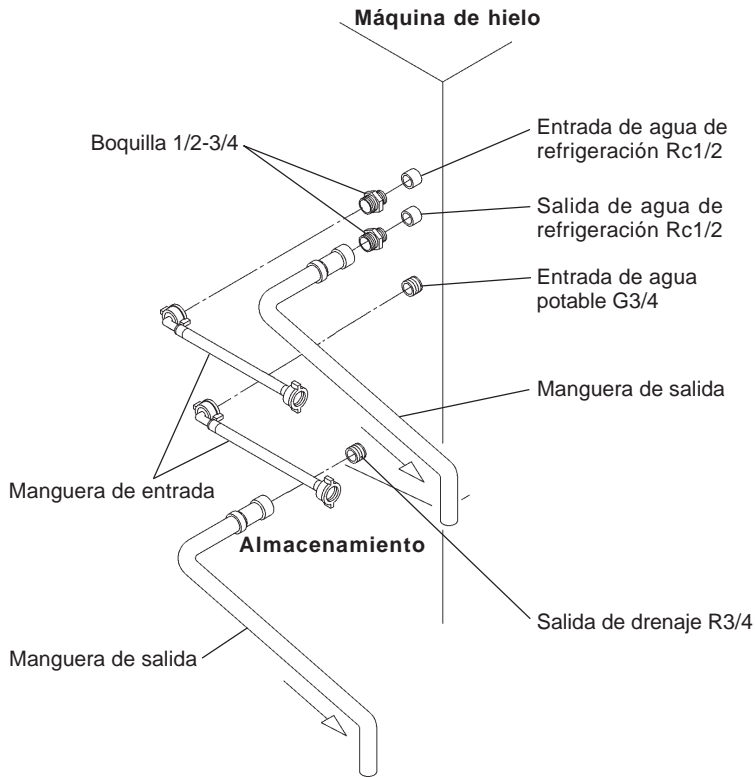


Fig. 11

## 6. PROCEDIMIENTO PARA LA PUESTA EN MARCHA

- 1) Desconectar el suministro eléctrico.
- 2) Abrir el grifo de agua.
- 3) Conectar el suministro eléctrico y energizar.
- 4) Los siguientes pasos deberán ocurrir en secuencia:
  - a) El compresor arrancará (válvula de gas caliente abierta).
  - b) La depósito de agua se abrirá completamente.
  - c) El solenoide de agua se abrirá.
  - d) El depósito de agua comenzará a cerrarse (válvula de gas caliente cerrada).
  - e) El depósito de agua se cerrará completamente y el motor de la bomba comenzará a funcionar.
  - f) El solenoide de agua se cerrará.

### IMPORTANTE

1. Comprobar las condiciones y la calidad de la producción de hielo.
2. No utilizar el hielo producido en la prueba de funcionamiento. Podría estar contaminado con materia extraña del circuito de agua. Descartarlo o vaciarlo por el desagüe.
3. Limpie la Cubeta de Almacén antes de utilizarla (ver "III. 1. LIMPIEZA" en el Manual de Instrucciones).

## 7. ÚLTIMAS COMPROBACIONES

- 1) ¿Tiene fugas la instalación?

- 2) ¿Vibra el productor de hielo?
- 3) ¿Están todos los paneles fijados y asegurados?
- 4) ¿Ha recibido el usuario instrucciones sobre el correcto manejo de la máquina y se le ha dado el manual de instrucciones?

**IMPORTANTE**

1. Per un'installazione sicura e affidabile del prodotto, leggere prima attentamente questo opuscolo e seguire le istruzioni in esso contenute.
2. Una volta completata l'installazione, avviare la macchina per controllare che non presenti anomalie e istruire l'utente sull'uso e la manutenzione della macchina secondo quanto previsto dal manuale di istruzione.
3. Ad installazione avvenuta, consegnare questo opuscolo all'utente che dovrà conservarlo unitamente al manuale di istruzione per eventuali riferimenti futuri.

**AVVERTENZA**

**L'installazione deve essere eseguita da personale qualificato**, in ottemperanza alle norme vigenti e secondo le indicazioni del fabbricante.

**1. DISIMBALLAGGIO**

**AVVERTENZA**

Tenere i bambini lontano dai componenti dell'imballo (sacchetti di plastica e polistirolo espanso) poiché costituiscono potenziali fonti di pericolo.

**ATTENZIONE**

Rimuovere il cartone di imballaggio, il nastro adesivo e l'involucro. Il distributore non può funzionare se al suo interno sono presenti residui del materiale di imballaggio.

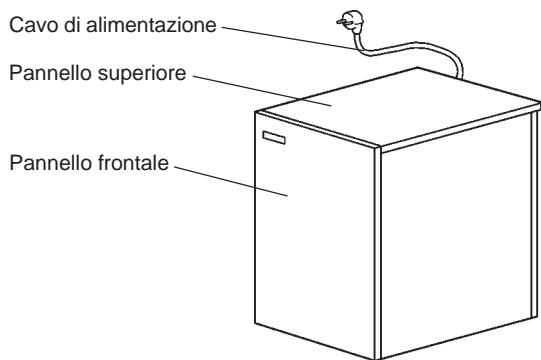
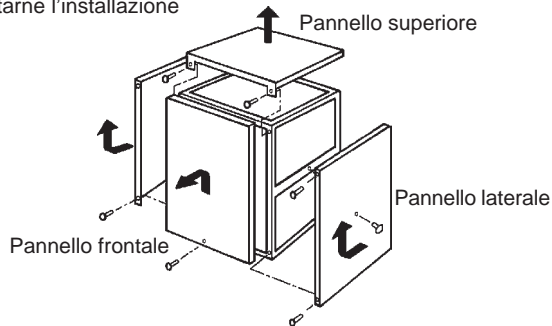


Fig. 1

Nota: Questa macchina per la produzione di ghiaccio deve essere dotata di vaschetta di deposito. La vaschetta di deposito consigliata è la VASCHETTA DI DEPOSITO HOSHIZAKI Modello B-300SD(PD) o B-500SD(PD) con kit superiore - 8C, B-700SD(PD) con kit superiore - 22C, o B-900SD(PD) con kit superiore - 22C e kit superiore - 8C.

1) Tras retirar el embalaje, asegúrese de que el dispensador de hielo se encuentra en buenas condiciones. En caso de duda, no utilice el equipo y acuda al personal profesional cualificado. Consultare el manual de instrucciones allegato alla vaschetta di deposito per indicazioni sul disimballaggio e l'installazione.

2) Togliere i pannelli del distributore per accedere agli accessori e facilitarne l'installazione



Pannello superiore: Rimuovere la vite. Sollevare.  
 Pannello frontale: Rimuovere la vite. Sollevare e tirare verso di sé.  
 Pannello laterale: Rimuovere la vite. Tirare leggermente verso di sé e sollevare.

Fig. 2

3) Rimuovere l'imballaggio degli accessori, e controllarne il contenuto:

a) Kit di installazione (modello raffreddato ad aria)	
Tubo flessibile d'entrata	1
Tubo flessibile d'uscita	1
Kit di installazione (modello raffreddato ad acqua)	
Tubo flessibile d'entrata	2
Tubo flessibile d'uscita	2
Attacco 1/2-3/4	2
b) Paletta	1
c) Scivolo ghiaccio	1
d) Colletto del condotto di scolo	1
e) Guarnitura	1
f) Supporto	2

4) Togliere il nastro da imballaggio sull'interruttore di comando della vaschetta.

5) Togliere la pellicola protettiva dalla superficie esterna. Se il distributore è esposto al sole o al calore, rimuovere la pellicola dopo averlo fatto raffreddare.

**2. UBICAZIONE**

**IMPORTANTE**

1. Questo distributore non è stato progettato per l'uso all'aperto. La temperatura dell'ambiente di esercizio dovrebbe mantenersi tra i 1°C e i 40°C, e quella dell'acqua tra i 5°C e i 35°C. Impiegare per lungo tempo il distributore a temperature diverse da quelle indicate potrebbe danneggiarne seriamente la capacità produttiva.
2. Il distributore non dovrebbe essere collocato in prossimità di forni, grill o altre fonti di calore.
3. L'ubicazione dovrebbe garantire un appoggio stabile e orizzontale per l'apparecchio.
4. Lasciare uno spazio di 60 cm dietro e al di sopra del distributore per favorire il passaggio dell'aria ed eventuali interventi di manutenzione.
5. Questo distributore non è indicato per l'installazione in aree in cui sia previsto l'uso di idrogetti e dove non sia consentito il gocciolamento.
6. Non collocare alcun oggetto sulla sommità del distributore o davanti alla griglia di ventilazione.
7. Questo distributore non può funzionare a temperature inferiori allo zero. Per evitare danni al circuito di alimentazione, far scolare il distributore non appena la temperatura dell'aria scende al di sotto dello zero.

**3. INSTALLAZIONE**

\* L'installazione errata può danneggiare persone, animali od oggetti. Il produttore non può essere considerato responsabile per eventuali danni di questo tipo.

1) Avvitare completamente le quattro gambe fornite (accessorio vasca) nel lato inferiore della vasca di raccolta del ghiaccio. Ved. Fig. 3.

2) Posizionare la vasca di raccolta del ghiaccio nella posizione permanente selezionata.

3) Mettere il fabbricatore di ghiaccio sopra la vasca di raccolta del ghiaccio tenendone il fondo.

4) Fissare il fabbricatore di ghiaccio alla vasca di raccolta, usando le due staffe di sostegno e i due bulloni forniti. Ved. Fig. 4.

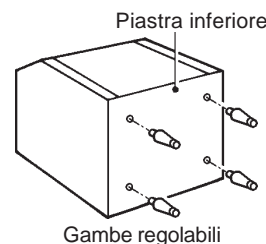


Fig. 3

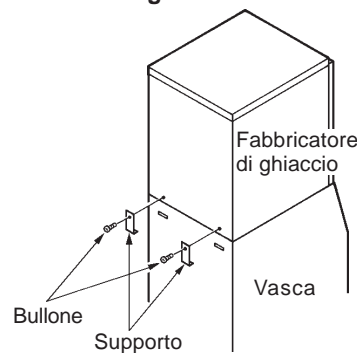


Fig. 4

- 5) Sigillare il bordo fra il fabbricatore di ghiaccio e la vasca di raccolta del ghiaccio con sigillante di grado alimentare.
- 6) Rimuovere la fascetta di fissaggio dal tubo di scarico e quindi la coppa di drenaggio. Mediante i bulloni (due) e le rondelle piane forniti, fissare sul telaio di montaggio l'interruttore di controllo vasca di raccolta. Fissare il cablaggio dell'interruttore di controllo vasca di raccolta mediante i due collegamenti in nylon. Posizionare sul telaio dell'unità lo scivolo per cubetti e montare la coppa di drenaggio nel modo corretto. Vedere Fig. 5.

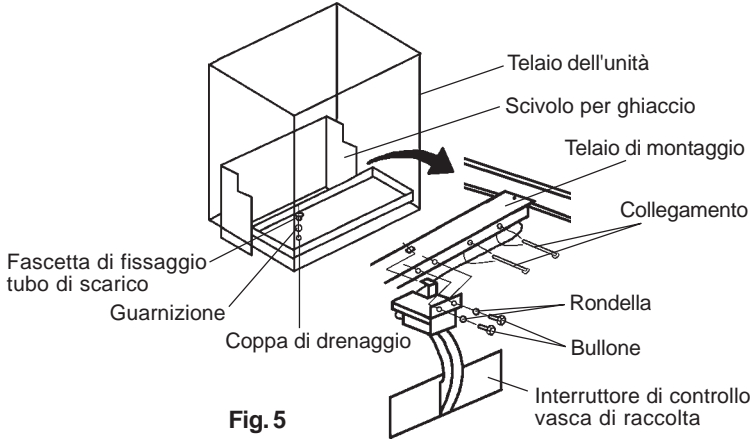


Fig. 5

- 7) Rimontare i pannelli laterali nella corretta posizione.
- 8) Regolare le quattro gambe al fondo (regolabile da 0 a 25,4 mm) così che il fabbricatore di ghiaccio sia perfettamente orizzontale. Usare la livella a bolla d'aria. Ved. Fig. 4.

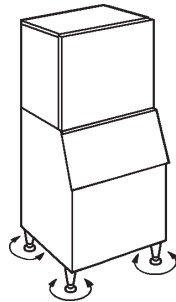


Fig. 6

#### 4. COLLEGAMENTI ELETTRICI

##### AVVERTENZA

##### COLLEGARE IL DISTRIBUTORE A UNA PRESA DI TERRA

Per questo distributore è necessario disporre di una presa a terra che risponda alle normative vigenti. Per evitare traumi alle persone e danni elettrici all'impianto, collegare il distributore a una presa a terra con un apposito filo. Rimuovere la spina dalla presa di corrente prima di effettuare qualunque intervento di manutenzione, riparazione o pulizia.

- \* Questa macchina per la produzione di ghiaccio non deve essere installata:
  - a) Se l'alimentazione non è entro la gamma di 220 - 240V.
  - b) Se la spina della macchina per la produzione di ghiaccio non può essere inserita direttamente nella presa di corrente senza usare un cavo di prolunga o se deve essere condivisa la presa di corrente.
- \* Il fusibile dell'interruttore principale è da 5A e deve essere sostituito solo da un tecnico di manutenzione qualificato.
- \* Di solito sono necessari l'assistenza e la certificazione di un elettricista autorizzato.
- \* L'eventuale sostituzione del cavo di alimentazione o della spina deve essere effettuata solo da un tecnico di manutenzione qualificato.
- \* I fili di alimentazione sono rivestiti secondo il seguente schema colore:

Verde e Giallo = Terra  
 Blu = Neutro  
 Marrone = Tensione

Poiché i colori dei fili nel cavo di alimentazione di questo distributore potrebbero non corrispondere a quelli dello schema precedente utilizzato per la presa di alimentazione, procedere nel modo seguente:

collegare il filo verde e giallo al terminale identificato con la lettera E o con il simbolo  $\perp$  o di colore verde o verde e giallo. Collegare il filo blu al terminale identificato con la lettera N o di colore nero. Collegare il filo marrone al terminale identificato con la lettera L o di colore rosso.

- \* Qualora le prese elettriche disponibili non siano adatte alla spina fornita con il distributore, è necessario sostituire la spina (se necessario tagliando il filo) con un'altra appropriata.

Disfarsi della spina non riutilizzabile tagliata dal cavo di alimentazione. Non cercare di riutilizzarla. Inserirla in una qualunque presa di corrente costituisce un grave rischio di folgorazione.

#### 5. COLLEGAMENTI PER ALIMENTAZIONE E SCARICO ACQUA

- \* Utilizzare esclusivamente acqua potabile.
- \* La pressione dell'acqua di alimentazione deve essere di almeno 0,5 bar e non superare gli 8 bar. Qualora la pressione superi gli 8 bar, usare una valvola di limitazione della pressione. NON agire sul rubinetto dell'acqua.
- \* In alcune zone, potrebbe essere richiesta l'assistenza e la certificazione da parte di un idraulico autorizzato.
- \* Nei modelli con raffreddamento ad acqua, può essere necessario disporre di un dispositivo antiriflusso nel circuito di raffreddamento.
- \* L'acqua di scarico deve confluire in un pozzetto aperto.
- \* La vaschetta di deposito è dotata di due scarichi di scolo. Quello superiore/esterno serve allo scolo del distributore, mentre quello inferiore/interno serve alla vaschetta. Separare i due condotti di scolo per evitare la possibilità di reflussi nella vaschetta di deposito.
- \* Nel modello raffreddato ad acqua può essere necessario applicare nell'impianto di raffreddamento un dispositivo contro il reflusso.

##### [Modello raffreddato ad aria]

- 1) Collegare l'estremità ad angolo del flessibile bianco (accessorio) al raccordo G3/4 sul retro del distributore come indicato (Fig. 7), accertandosi che la guarnizione di tenuta sia correttamente posizionata. Avvitare quanto basta per evitare perdite.
- 2) Collegare l'altra estremità del flessibile al rubinetto dell'acqua (Fig. 8), accertandosi che la guarnizione sia correttamente posizionata prima di avvitare come sopra. Si consiglia di tenere una valvola d'arresto a portata di mano.

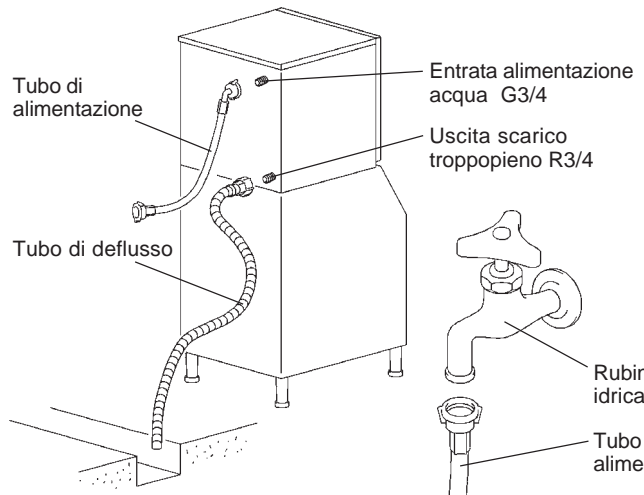


Fig. 7

Fig. 8

3) Collegare il flessibile grigio (accessorio) al raccordo R3/4 sul retro del distributore come indicato (Fig. 13), accertandosi che la guarnizione di tenuta sia correttamente posizionata. Avvitare quanto basta a evitare perdite. Se necessario, accorcire il tubo in modo da garantire la corretta posizione del canale di scolo.

Nota: utilizzare solo sigillanti approvati per l'impiego con acqua potabile.

**[Modello raffreddato ad acqua]**

\* Hoshizaki consiglia di collegare il condensatore raffreddato ad acqua ad un sistema dell'acqua a circolazione chiusa per mezzo di una torre, un raffreddatore o simile (vedi Fig. 15 e 16). L'alimentazione dell'acqua deve percorrere il gruppo valvola a sfera/vaschetta dei cascami.

\* Collegare un condensatore raffreddato ad acqua all'alimentazione principale dell'acqua potabile non condiziona le prestazioni della macchina, ma provoca nella maggior parte dei casi un elevato consumo (spreco) di una risorsa pregiata e pertanto non è consigliato.

\* Per assicurarsi che l'installazione sia corretta, rivolgersi ai servizi di un idraulico specializzato e autorizzato.

\* I collegamenti devono essere realizzati in modo corretto, in conformità alle norme in vigore a livello nazionale e locale.

**[a] Collegamenti standard in conformità alle norme WRC in Gran Bretagna (Fig. 9 e 10)**

\* Nello scegliere una torre di raffreddamento, considerare i seguenti valori di picco del flusso di calore nel condensatore:

Modello IM-240AWME: 5235 W

\* I condotti tra la torre di raffreddamento e la macchina devono avere un diametro minimo di 20 mm, in modo da ridurre la perdita di pressione, anche se i raccordi della macchina hanno un diametro di 13 mm.

\* La perdita di pressione nel sistema dell'acqua all'interno dell'unità equivale a 5-6 m, quando l'acqua di raffreddamento scorre alla portata di 4-5 l/min.

\* Scegliere una pompa di circolazione in base ai suddetti valori del flusso di calore.

\* Non utilizzare una pompa in cascata, altrimenti il regolatore d'acqua varia il flusso, arrestandolo durante il ciclo di sbrinamento.

\* Il filtro deve essere pulito ad intervalli regolari.

**[Connessioni macchina]**

1) Collegare l'estremità a gomito del tubo di entrata (flessibile bianco, accessorio) al raccordo G3/4, situato sul lato sinistro della macchina, come indicato, facendo attenzione che la rondella di tenuta in gomma sia posizionata in modo corretto. Serrare a mano quanto basta a evitare perdite.

2) Collegare l'altra estremità del tubo di entrata al rubinetto dell'acqua (Fig. 8), facendo attenzione che la rondella sia posizionata in modo corretto prima di serrare a mano.

Nota: qualora l'acqua venga filtrata o trattata, assicurarsi che solo la sezione macchina sia collegata all'alimentazione dell'acqua trattata, e non il condensatore.

3) Collegare il tubo di uscita (flessibile grigio, accessorio) al raccordo R3/4, situato sul retro della macchina, come indicato (Fig. 9), verificando che la rondella in gomma sia posizionata in modo corretto

prima di serrare a mano l'accoppiamento. Questo tubo può essere tagliato alla lunghezza necessaria per adattarlo alla posizione dello scarico principale.

4) Per mezzo di una chiave adatta, serrare gli attacchi 1/2-3/4 (accessorio) ai condotti Rc1/2, situati sul retro della macchina, come indicato. Per ottenere un accoppiamento a tenuta, utilizzare gli appositi ermetici e/o il nastro P.T.F.E.

Nota: gli ermetici devono essere approvati e adatti all'uso con acqua potabile.

5) Collegare il sistema di raffreddamento del condensatore alle parti disponibili degli attacchi 1/2-3/4, come indicato (Fig. 9) utilizzando un tubo di tipo rigido adatto. Per ottenere un accoppiamento a tenuta, utilizzare gli appositi ermetici e/o il nastro P.T.F.E.

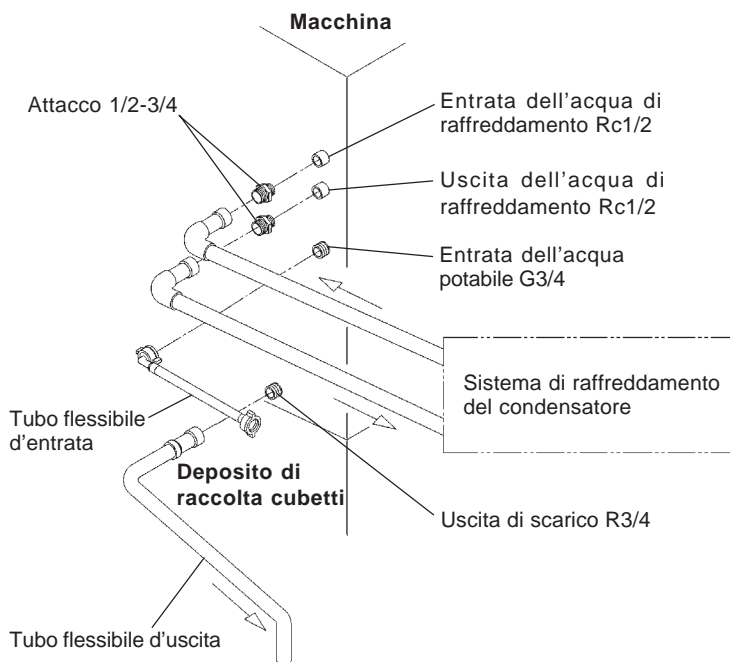


Fig. 9

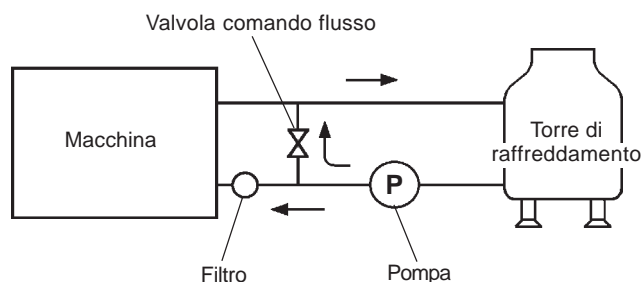


Fig. 10

**[b] Collegamenti conformi a norme diverse da quelle WRC mediante tubi ausiliari (Fig. 11)**

1) Procedere in base alle istruzioni da 1) a 4) della sezione [a].

2) Per i collegamenti del condensatore, utilizzare i tubi ausiliari appartenenti alla dotazione e realizzare gli stessi collegamenti come da 1) a 3) della sezione [a] con le parti disponibili degli attacchi 1/2-3/4, come da Fig. 11.

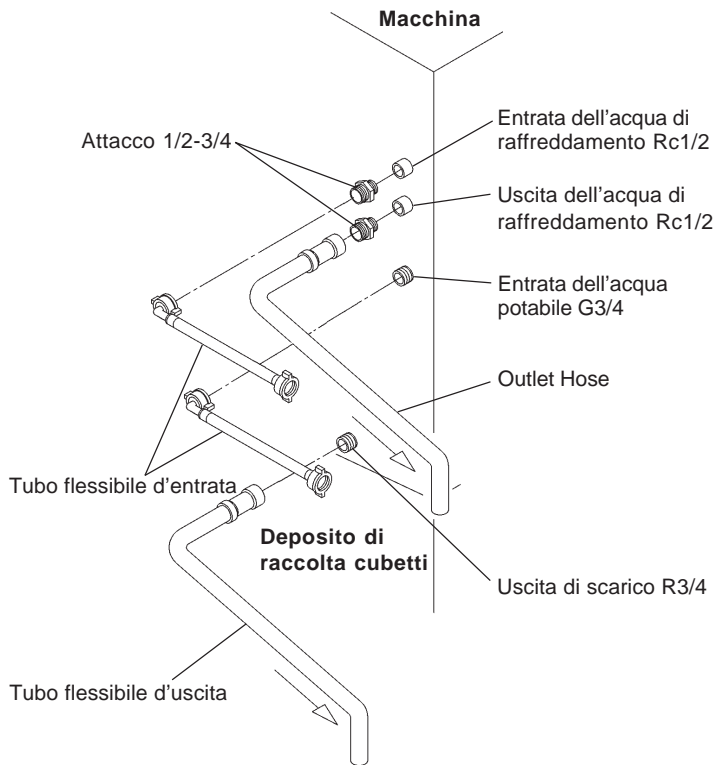


Fig. 11

## 6. PROCEDURA DI AVVIAMENTO

- 1) Togliere alimentazione alla macchina.
- 2) Aprire il rubinetto dell'acqua.
- 3) Collegare la macchina alla rete e dare alimentazione.
- 4) Le seguenti operazioni dovrebbero avvenire in sequenza:
  - a) Parte il compressore (valvola gas aperta).
  - b) Si apre la vaschetta dell'acqua.
  - c) Si apre l'elettrovalvola dell'acqua.
  - d) Comincia a chiudersi la vaschetta dell'acqua (valvola gas chiusa).
  - e) La vaschetta dell'acqua si chiude completamente e si avvia il motore della pompa.
  - f) Si chiude l'elettrovalvola dell'acqua.

### IMPORTANTE

1. Controllare le condizioni e la qualità del ghiaccio prodotto.
2. Non utilizzare il ghiaccio prodotto in fase di prova. Potrebbe risultare contaminato per la presenza di corpi estranei nel circuito idrico. Svuotare e risciacquare la vaschetta di scolo.
3. Pulire la vasca di raccolta del ghiaccio prima dell'uso (ved. "III. 1. PULIZIA" nel Manuale delle istruzioni).

## 7. CONTROLLI FINALI

- 1) Sono presenti perdite d'acqua?
- 2) Il distributore vibra?
- 3) I pannelli sono tutti fissati saldamente?
- 4) L'utente è stato istruito circa il corretto impiego della macchina e ha ricevuto il manuale di istruzione?

**HOSHIZAKI**

**HOSHIZAKI EUROPE LTD.**

**UNIT A, STAFFORD PARK 18, TELFORD,**

**SHROPSHIRE TF3 3DJ ENGLAND**

**PHONE: 01952-291777**

92E1CG21C  
(050729)



## Free Manuals Download Website

<http://myh66.com>

<http://usermanuals.us>

<http://www.somanuals.com>

<http://www.4manuals.cc>

<http://www.manual-lib.com>

<http://www.404manual.com>

<http://www.luxmanual.com>

<http://aubethermostatmanual.com>

Golf course search by state

<http://golfingnear.com>

Email search by domain

<http://emailbydomain.com>

Auto manuals search

<http://auto.somanuals.com>

TV manuals search

<http://tv.somanuals.com>