

Hoshizaki America, Inc.

Stackable Crescent Cuber

Models

KM-2100SWH3

KM2100SWH350

KM-2100SRH3

KM2100SRH350



“A Superior Degree
of Reliability”

www.hoshizaki.com

PARTS LIST



Number: 71297
Issued: 7-7-2011
Revised: 10-11-2012

CONTENTS

Auxiliary Codes.....	3
Note About Ordering Parts	3
A. Ice Cuber Assembly & Refrigeration Circuit	4
KM-2100SWH3, KM2100SWH350	4
KM-2100SRH3, KM2100SRH350	7
B. Water Circuit	10
C. Control Box Assembly	13
D. Accessories & Labels	14

Auxiliary Codes

KM-2100SWH3	U-0	March 2009
	V-1	November 2010
	A-0	February 2011
	B-0	January 2012
KM2100SWH350	B-0	August 2012
KM-2100SRH3	U-0	March 2009
	V-0	January 2010
	V-1	July 2010
	A-0	January 2011
	A-1	September 2011
	B-0	January 2012
KM2100SRH350	U-0	July 2009
	V-0	February 2010
	V-1	November 2010
	A-0	June 2011
	A-1	December 2011

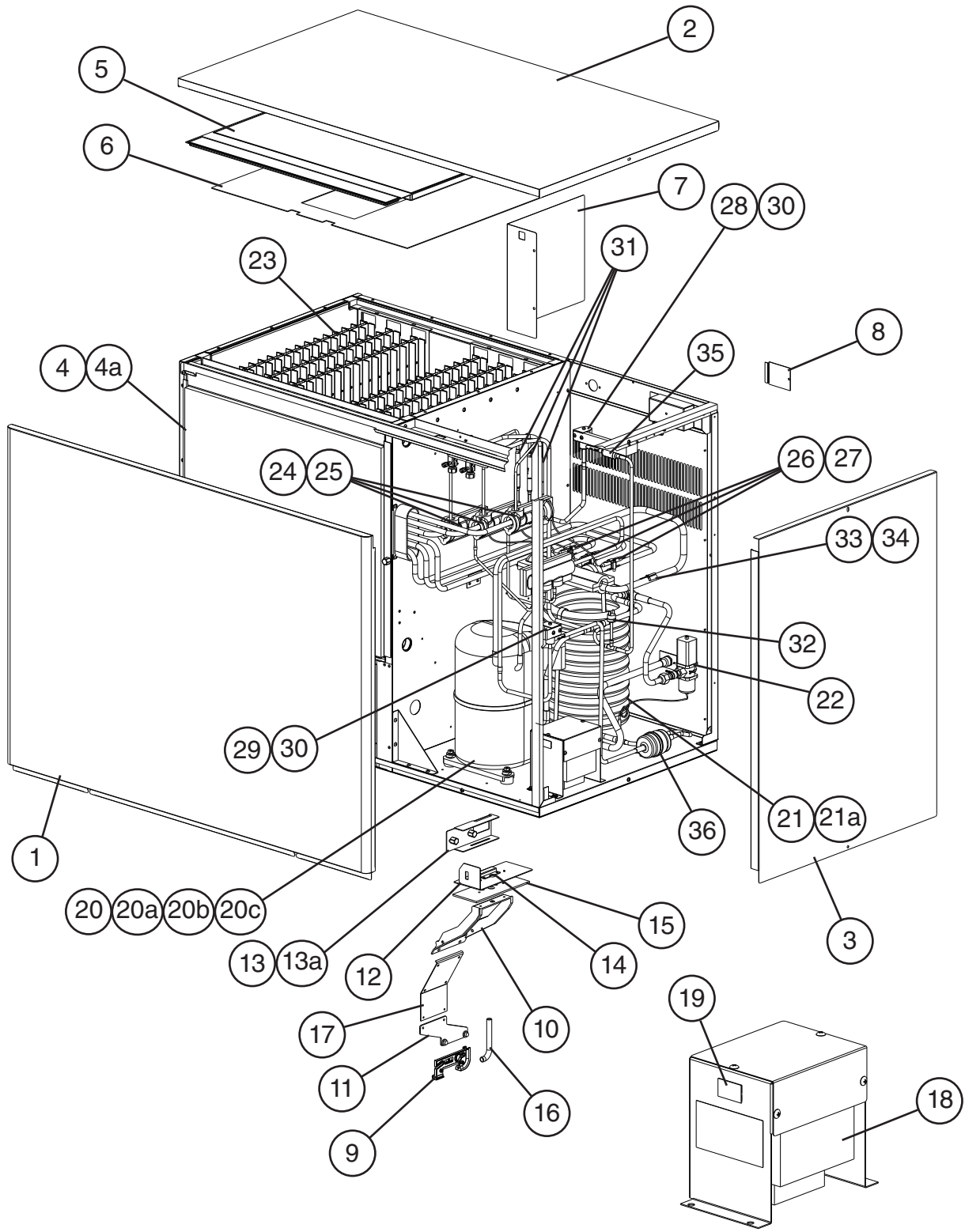
Auxiliary Code Breakdown

The auxiliary code is the first two characters in the serial number. The first character indicates the year. Years progress or regress in alphabetical order. The series runs from "A" through "V" and the letters "I" and "O" are skipped. The second character indicates significant part changes within a year. Base is "0" and this number advances for each change. In cases where there is a letter in parentheses, this designates the month. This is the last character in the serial number. The series runs from "(A)" through "(M)" and the letter "(I)" is skipped. This designation is only included when identifying a parts change within an auxiliary code.

Note About Ordering Parts

Most assemblies cannot be ordered as complete units; parts in the assemblies generally must be ordered separately.

A. Ice Cuber Assembly & Refrigeration Circuit
KM-2100SWH3, KM2100SWH350
 U-0 to B-0

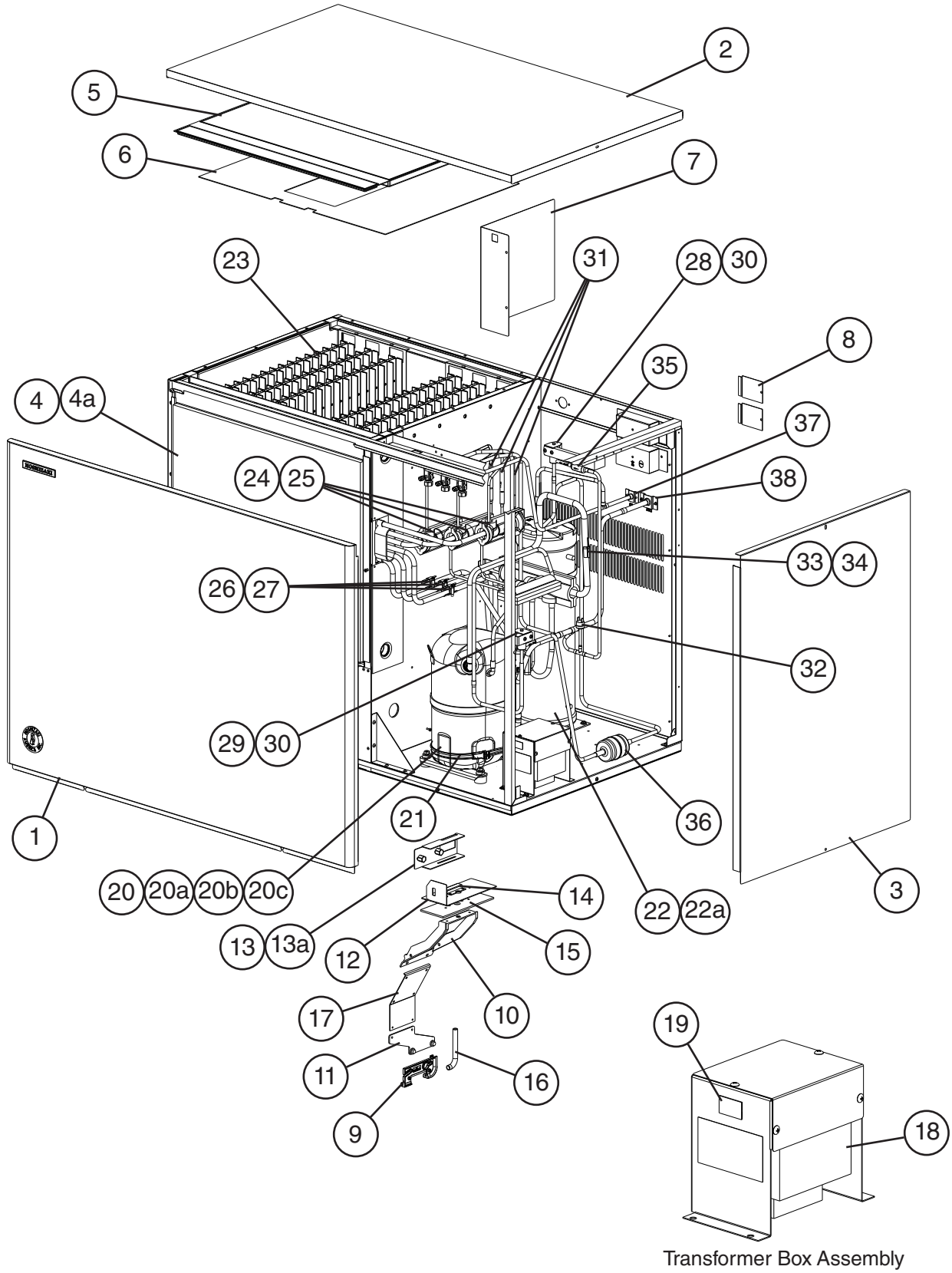


Transformer Box Assembly

Title: A. Ice Cuber Assembly & Refrigeration Circuit Model: KM-2100SWH3, KM2100SWH350												
Index No.	Description	Material or Model Number	Part Number	Required Number								
				U-0 to A-0	B-0							
Ice Cuber Assembly												
1	Front Panel		3A1838G01	1	1							
2	Top Panel		2A2255-01	1	1							
3	Right Side Panel		215381G02	1	1							
4	Front Insulation		326041G01	1	1							
4a	Thumbscrew		415949G12	1	1							
5	Top Insulation		324216G01	1	1							
6	Spacer		324321-01	1	1							
7	Control Box Cover		3A2386-01	1	1							
8	Junction Box Cover		433410-01	1	1							
9	Bin Control Bulb Holder		3A3903-01	1	1							
10	Bin Control Bulb Holder C		216340G01	1	1							
11	Bin Control Bulb Holder C	Z Bracket	325845G01	1	1							
12	Bin Control Bulb Holder E		439725-01	1	1							
13	Bin Control Bulb Holder F		328743-01	1	1							
13a	Thumbscrew		415949G12	2	2							
14	Bin Control Bulb Holder G		439726-01	1	1							
15	Spacer		439727-01	1	1							
16	Silicone Hose	L=285	7730I3812	1	1							
17	Bin Control Extension Bracket		3A0408-01	1	1							
18	Main Transformer	KM-2100SWH3	4A0817-01	1	1							
		KM2100SWH350	4A4729-01	1	1							
19	Voltage Tap Switch	KM-2100SWH3	4A1477-01	1	1							
Refrigeration Circuit												
20	Compressor	KM-2100SWH3	4A1419-01	1	-							
			4A4891-01		1							
			KM2100SWH350	4A4730-01		1						
20a	Spacer		434921-01	4	4							
20b	Grommet		434922-01	4	4							
20c	Bolt	8x45	437889-01	4	4							
21	Condenser	HS-0164	2A2359G05	1	1							
21a	Hex Head Bolt w/Washer	5x12	7B0130512	2	2							
22	Water Regulating Valve		4A0911-07	1	1							
23	Evaporator Bank (3 plates each)	HS-5023	2A6534G01	2	2							
24	Thermostatic Expansion Valve		4A1414-01	3	3							
25	Thermostatic Expansion Valve Cover		3A0944-01	3	3							
26	Thermostatic Expansion Valve Bulb Holder		3A0107-01	3	3							
27	Clamp		443461-02	3	3							
28	Hot Gas Valve Body		4A3978-01	1	1							
29	Liquid Line Valve Body		4A3276-01	1	1							
30	Valve Coil		4A3277-01	2	2							
31	Check Valve		4A1373-01	3	3							
32	High-Pressure Switch		463180-05	1	1							

Title: A. Ice Cuber Assembly & Refrigeration Circuit Model: KM-2100SWH3, KM2100SWH350											
Index No.	Description	Material or Model Number	Part Number	Required Number							
				U-0 to A-0	B-0						
33	Thermistor		429006-03	1	1						
34	Thermistor Holder		438247-01	1	1						
35	Strainer		441569-02	1	1						
36	Drier		4A2663-01	1	1						

A. Ice Cuber Assembly & Refrigeration Circuit
KM-2100SRH3, KM2100SRH350
 U-0 to B-0



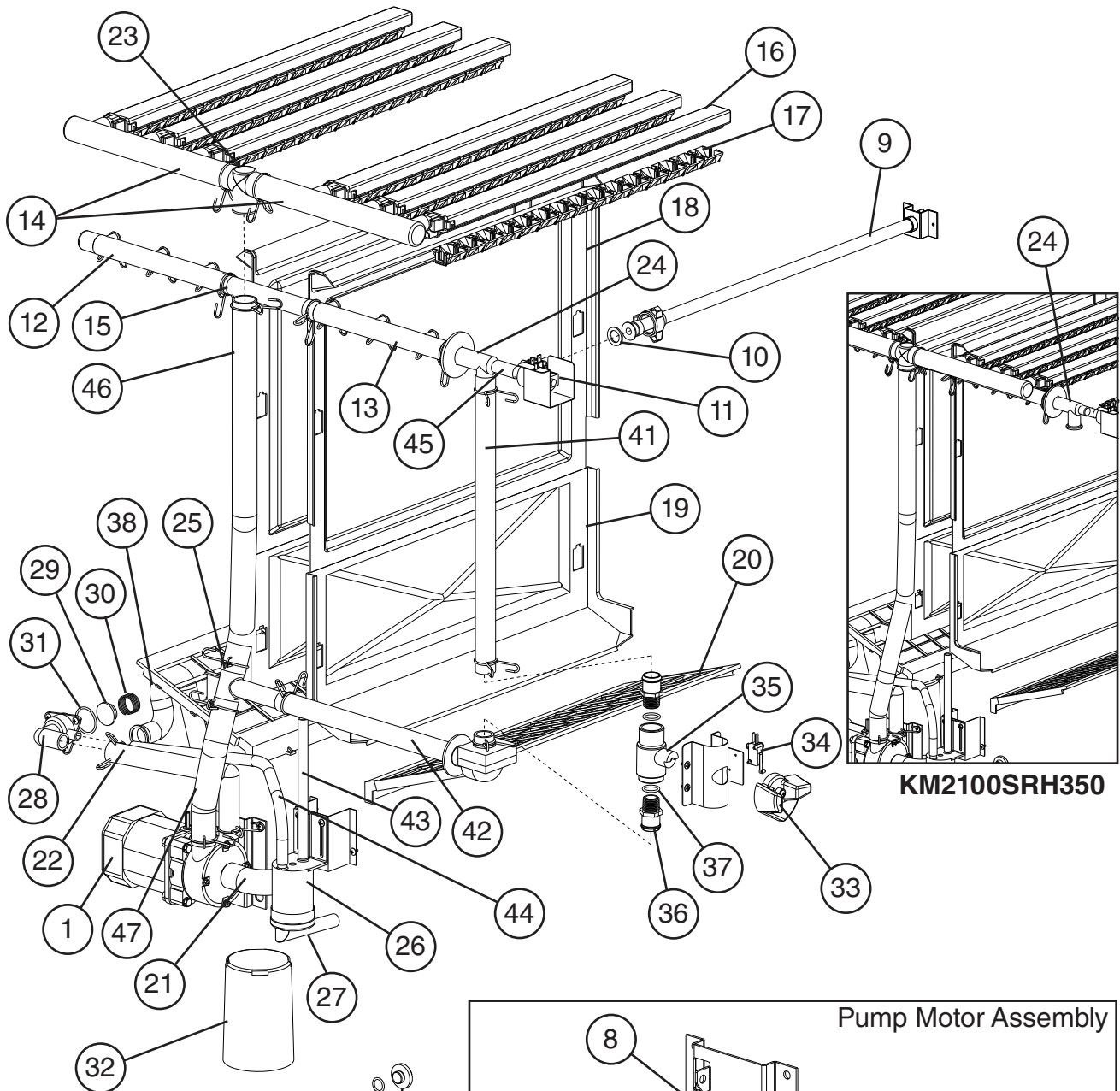
Title: A. Ice Cuber Assembly & Refrigeration Circuit Model: KM-2100SRH3, KM2100SRH350											
Index No.	Description	Material or Model Number	Part Number	Required Number							
				U-0 to A-0	A-1 B-0						
Ice Cuber Assembly											
1	Front Panel		3A1838G01	1	1						
2	Top Panel		2A2255-01	1	1						
3	Right Side Panel		215381G02	1	1						
4	Front Insulation		326041G01	1	1						
4a	Thumbscrew		415949G12	1	1						
5	Top Insulation		324216G01	1	1						
6	Spacer		324321-01	1	1						
7	Control Box Cover		3A2386-01	1	1						
8	Junction Box Cover		433410-01	2	2						
9	Bin Control Bulb Holder		3A3903-01	1	1						
10	Bin Control Bulb Holder C		216340G01	1	1						
11	Bin Control Bulb Holder C	Z Bracket	325845G01	1	1						
12	Bin Control Bulb Holder E		439725-01	1	1						
13	Bin Control Bulb Holder F		328743-01	1	1						
13a	Thumbscrew		415949G12	2	2						
14	Bulb Holder G		439726-01	1	1						
15	Spacer		439727-01	1	1						
16	Silicone Hose	L=285	773013812	1	1						
17	Bin Control Extension Bracket		3A0408-01	1	1						
18	Transformer	KM-2100SRH3	4A0817-01	1	1						
		KM2100SRH350	4A4729-01	1	1						
19	Voltage Tap Switch	KM-2100SRH3	4A1477-01	1	1						
Refrigeration Circuit											
20	Compressor	KM-2100SRH3	4A1419-02	1	-						
			4A4891-01		1						
		KM2100SRH350	4A4730-02	1	-						
			4A4730-01		1						
20a	Spacer		434921-01	4	4						
20b	Grommet		434922-01	4	4						
20c	Bolt	8x45	437889-01	4	4						
21	Crankcase Heater		4A5397-02		1						
22	Receiver		440366-01	1	1						
22a	Hex Head Bolt w/Washer	5x10	7B0130510	3	3						
23	Evaporator Bank (3 plates each)	HS-5023	2A6534G01	2	2						
24	Thermostatic Expansion Valve		4A1414-01	3	3						
25	Thermostatic Expansion Valve Cover		3A0944-01	3	3						
26	Thermostatic Expansion Valve Bulb Holder		3A0107-01	3	3						
27	Clamp		443461-02	3	3						
28	Hot Gas Valve Body		4A3978-01	1	1						
29	Liquid Line Valve Body		4A3276-01	1	1						
30	Valve Coil		4A3277-01	2	2						
31	Check Valve		4A1373-01	3	3						

Title: A. Ice Cuber Assembly & Refrigeration Circuit Model: KM-2100SRH3, KM2100SRH350												
Index No.	Description	Material or Model Number	Part Number	Required Number								
				U-0 to A-0	A-1 B-0							
32	High-Pressure Switch		463180-04	1	1							
33	Thermistor		429006-03	1	1							
34	Thermistor Holder		438247-01	1	1							
35	Strainer		441569-02	1	1							
36	Drier		4A2663-01	1	1							
37	Liquid Line Coupling		433751G01	1	1							
38	Discharge Line Coupling		434136G01	1	1							

B. Water Circuit

KM-2100SWH3, KM2100SWH350, KM-2100SRH3, KM2100SRH350

U-0 to B-0



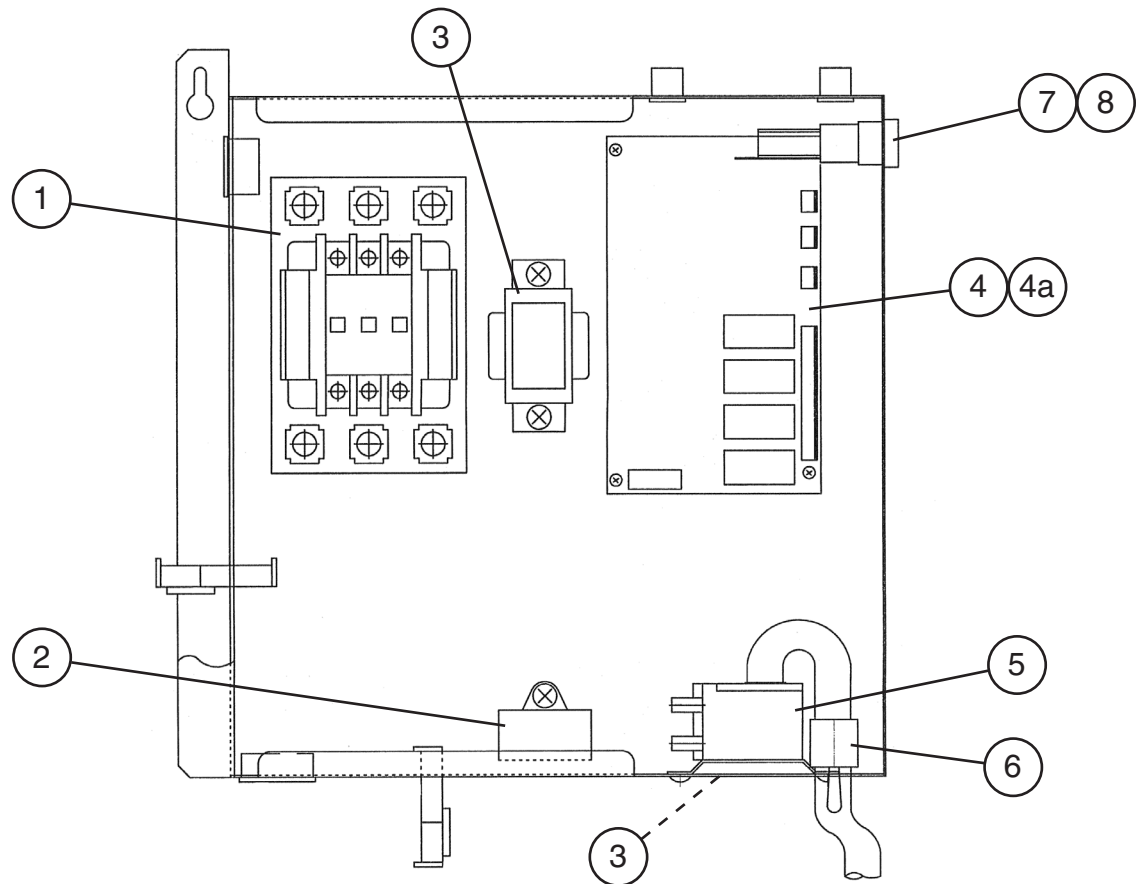
Title: B. Water Circuit Model: KM-2100SWH3, KM2100SWH350, KM-2100SRH3, KM2100SRH350										
Index No.	Description	Material or Model Number	Part Number	Required Number						
				U-0 to V-1	A-0 to B-0					
1	Pump Motor Assembly (includes items 2 through 8)	KM-2100SWH3 KM-2100SRH3 S-0730	215692A03	1	1					
		KM2100SWH350 KM2100SRH350 S-0862	215692A04	1	1					
2	Pump Flange		215662-01	1	1					
2a	Tooth Washer	M6, SS	7R22-0600	2	2					
2b	Hex Head Bolt	6x40, SS	7B02-0640	4	4					
2c	Flat Washer	M6, SS	7W22-0600	4	4					
2d	Split Lock Washer	M6, SS	7L22-0600	4	4					
2e	Hex Nut	M6, SS	7N12-0600	4	4					
3	Mechanical Seal		4A3820-01	1	1					
4	Packing		428547-01	1	1					
5	Impeller	KM-2100SWH3 KM-2100SRH3	436584-01	1	1					
		KM2100SWH350 KM2100SRH350	334706G01	1	1					
6	Pin		4A0648-01	1	1					
7	Pump Housing		213687-01	1	1					
7a	Hex Head Bolt	4x55, SS	7B02-0455	4	4					
7b	Hex Flange Nut	4, SS	7J02-0400	4	4					
8	Pump Motor Bracket		323904-01	1	1					
9	Water Supply Pipe		4A5216G04	1	1					
10	Rubber Gasket		413854-03	1	1					
11	Inlet Water Valve		4A1176-04	1	-					
			4A5251-04		1					
12	Distributor Hose A		325738-01	1	1					
13	Distributor Hose B		325738-02	1	1					
14	Distributor Hose C		325739-01	2	2					
15	Joint Pipe		439297-01	1	1					
16	Spray Tube		437049G01	6	6					
17	Spray Guide		208586-01	18	18					
18	Separator A		215046-01	2	2					
19	Separator B		2A0100-01	2	2					
20	Cube Guide		214243-01	2	2					
21	Hose A		435091-01	1	1					
22	Hose B		325867-01	1	1					
23	Distributor A		439266-01	1	1					
24	Distributor B	KM-2100SWH3 KM-2100SRH3	439239-01	1	1					
		KM2100SWH350 KM2100SRH350	4A1175G01	1	1					
25	Distributor C	KM-2100SWH3 KM-2100SRH3	439238-01	1	1					
26	Float Switch		4A3624-01	1	1					
27	Float Switch Connector		426799-04	1	1					
28	Drain Valve Housing		323613-01	1	1					
29	Drain Valve Seat		433705-01	1	1					
30	Drain Valve Spring		322110-01	1	1					

Title: B. Water Circuit Model: KM-2100SWH3, KM2100SWH350, KM-2100SRH3, KM2100SRH350												
Index No.	Description	Material or Model Number	Part Number	Required Number								
				U-0 to V-1	A-0 to B-0							
31	Drain Valve "O" Ring		7611-G035	1	1							
32	Overflow Cap		325866-01	1	1							
33	Cleaning Valve Handle	KM-2100SWH3 KM-2100SRH3	215383-01	1	1							
34	Cleaning Valve Microswitch	KM-2100SWH3 KM-2100SRH3	4A2546-01	1	1							
35	Cleaning Valve Ball Valve	KM-2100SWH3 KM-2100SRH3	439293-01	1	1							
36	Cleaning Valve Male Adaptor	KM-2100SWH3 KM-2100SRH3	325826-01	2	2							
37	Cleaning Valve "O" Ring	KM-2100SWH3 KM-2100SRH3	7611-P018	2	Replaced with Thread Sealant Tape							
38	Drain Hose		325869-01	1	1							
39	Drain Plug		309246-01	1	1							
40	Drain Plug "O" Ring		7611-P015	1	1							
41	Joint Hose	KM-2100SWH3 KM-2100SRH3	439309-01	1	1							
42	Bypass Hose	KM-2100SWH3 KM-2100SRH3	439237-02	1	1							
43	Silicone Hose	L= 190	7730I3812	1	1							
44	Silicone Hose	L= 430	7730I3896	1	1							
45	Vinyl Hose	L=40	7716-1216	1	1							
46	Vinyl Hose	KM-2100SWH3 KM-2100SRH3 L=550	7716-2732	1	1							
		KM2100SWH350 KM2100SRH350 L=820	7716-2732	1	1							
47	Vinyl Hose	KM-2100SWH3 KM-2100SRH3 L=230	7716-2732	1	1							
Hose Clamps												
	Hose Clamp	KM-2100SWH3 KM-2100SRH3 25mm, SS	427443-03	9	9							
		KM2100SWH350 KM2100SRH350 25mm, SS	427443-03	5	5							
	Hose Clamp	13.5mm, SS	427443-07	6	6							
	Hose Clamp	KM-2100SWH3 KM-2100SRH3 32mm, SS	427443-09	6	6							
		KM2100SWH350 KM2100SRH350 32mm, SS	427443-09	4	4							

C. Control Box Assembly

KM-2100SWH3, KM2100SWH350, KM-2100SRH3, KM2100SRH350

U-0 to B-0

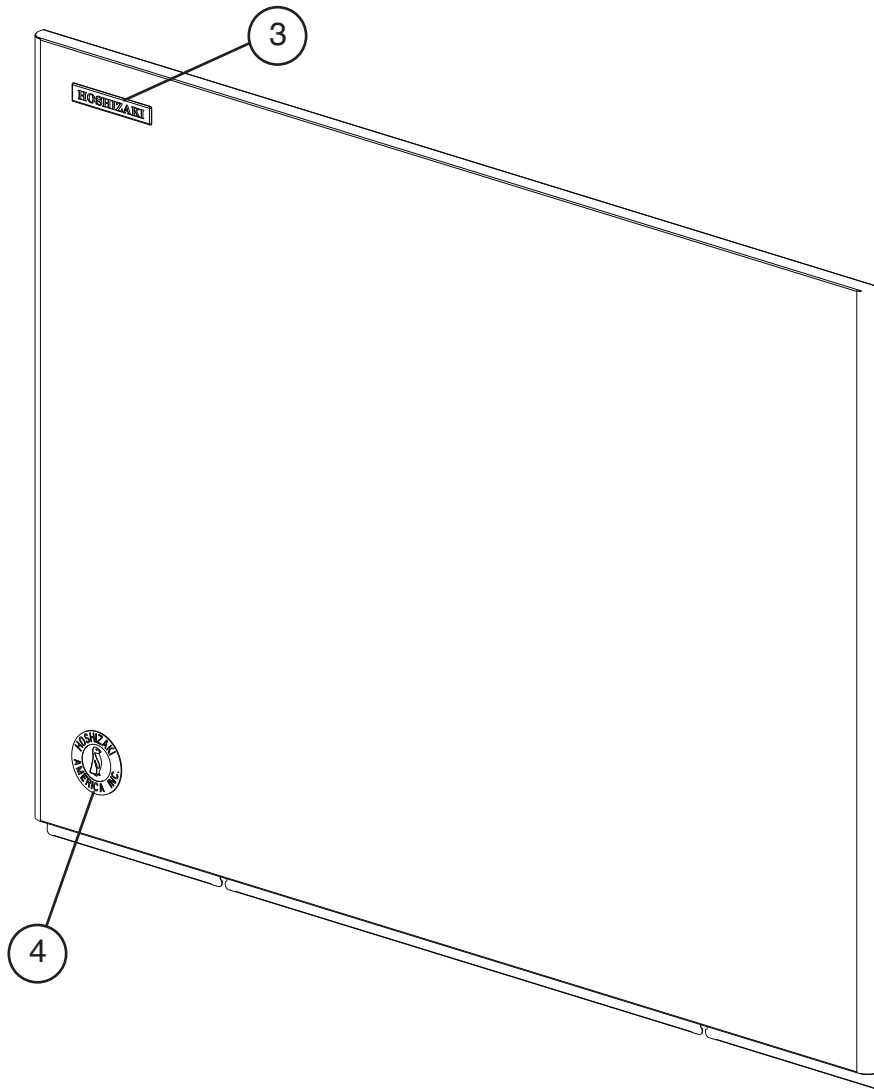


Title: C. Control Box Assembly Model: KM-2100SWH3, KM2100SWH350, KM-2100SRH3, KM2100SRH350													
Index No.	Description	Material or Model Number	Part Number	Required Number									
				U-0 to B-0									
1	Magnetic Contactor	KM-2100SWH3 KM2100SWH350	4A0794-02	1									
		KM-2100SRH3 KM2100SRH350	4A0794-01	1									
2	Pump Motor Capacitor	KM-2100SWH3 KM-2100SRH3 10MFD, 250VAC	443192-01	1									
		KM2100SWH350 KM2100SRH350 15MFD, 240VAC	439705-01	1									
3	Control Transformer		3A0172-01	1									
4	Control Board		2A1410-01	1									
4a	Control Board Support		4A0336-03	4									
5	Bin Control Thermostat		4A2879-02	1									
6	Control Switch		443119-01	1									
7	Fuse Holder		4A5443-01	1									
8	Fuse	10A, 250VAC	4A0893-07	1									

D. Accessories & Labels

KM-2100SWH3, KM2100SWH350, KM-2100SRH3, KM2100SRH350

U-0 to B-0



Title: D. Accessories & Labels Model: KM-2100SWH3, KM2100SWH350, KM-2100SRH3, KM2100SRH350													
Index No.	Description	Material or Model Number	Part Number	Required Number									
				U-0 to B-0									
1	Universal Brace		4A0363-01	2									
2	Hex Head Bolt	5x12, SS	7B02-0512	4									
3	Hoshizaki Emblem		4A0560-01	1									
4	Penguin Label		4A0526-01	1									

Free Manuals Download Website

<http://myh66.com>

<http://usermanuals.us>

<http://www.somanuals.com>

<http://www.4manuals.cc>

<http://www.manual-lib.com>

<http://www.404manual.com>

<http://www.luxmanual.com>

<http://aubethermostatmanual.com>

Golf course search by state

<http://golfingnear.com>

Email search by domain

<http://emailbydomain.com>

Auto manuals search

<http://auto.somanuals.com>

TV manuals search

<http://tv.somanuals.com>