

NO.: 73085
ISSUED: AUG. 18, 1999
REVISED: JAN. 13, 2004



**HOSHIZAKI
MODULAR CRESCENT CUBER**

MODELS

**KML "F" SERIES
KML "H" SERIES**

SERVICE MANUAL

IMPORTANT

Only qualified service technicians should attempt to service or maintain this icemaker. No service or maintenance should be undertaken until the technician has thoroughly read this Service Manual.

HOSHIZAKI provides this manual primarily to assist qualified service technicians in the service and maintenance of the icemaker.

Should the reader have any questions or concerns which have not been satisfactorily addressed, please call or write to the HOSHIZAKI Technical Support Department for assistance.

HOSHIZAKI AMERICA, INC.
618 Highway 74 South
Peachtree City, GA 30269

Attn: HOSHIZAKI Technical Support Department

Phone: 1-800-233-1940 Technical Service
(770) 487-2331
Fax: (770) 487-3360

NOTE: To expedite assistance, all correspondence/communication **MUST** include the following information:

- Model Number
- Serial Number
- Complete and detailed explanation of the problem

- Please review this manual. It should be read carefully before the icemaker is serviced or maintenance operations performed. Only qualified service technicians should service and maintain the icemaker. This manual should be made available to the technician prior to service or maintenance.

CONTENTS

	PAGE
I. SPECIFICATIONS	6
1. KML-250MAH (Air-cooled)	6
2. KML-250MWH (Water-cooled)	7
3. KML-350MAF (Air-cooled)	8
4. KML-350MWF (Water-cooled)	9
5. KML-350MAH (Air-cooled)	10
6. KML-350MWH (Water-cooled; Serial #L00001J through M20060C)	11
7. KML-350MWH (Beginning Serial #M30061E)	12
8. KML-450MAF (Air-cooled)	13
9. KML-450MWF (Water-cooled)	14
10. KML-450MAH (Air-cooled)	15
11. KML-450MWH (Water-cooled; Serial #L00001D through M10530B)	16
12. KML-450MWH (Beginning Serial #M20531D)	17
13. KML-600MAF (Air-cooled)	18
14. KML-600MWF (Water-cooled)	19
15. KML-600MRF (Remote air-cooled)	20
16. KML-600MAH (Air-cooled)	21
17. KML-600MWH (Water-cooled; Serial #L00001D through M10115C)	22
18. KML-600MWH (Water-cooled; Beginning Serial #M10121E)	23
19. KML-600MRH (Remote air-cooled)	24
20. CONDENSER UNIT, URC-7F	25
II. GENERAL INFORMATION	27
1. CONSTRUCTION	27
[a] KML-250MAH, KML-350MAF, KML-350MAH, KML-450MAF, KML-450MAH	27
[b] KML-250MWH, KML-350MWF, KML-350MWH, KML-450MWF, KML-450MWH	28
[c] KML-600MAF, KML-600MAH	29
[d] KML-600MWF, KML-600MWH	30
[e] KML-600MRF, KML-600MRH	31
2. CONTROLLER BOARD	32
[a] SOLID-STATE CONTROL	32
[b] CONTROLLER BOARD	32
[c] SEQUENCE	36
[d] CONTROLS AND ADJUSTMENTS	39
[e] CHECKING CONTROLLER BOARD	43
3. SWITCHES	44
4. MECHANICAL BIN CONTROL	45
[a] PROXIMITY SWITCH	45
[b] EXPLANATION OF OPERATION	46
[c] TROUBLESHOOTING	46

III. TECHNICAL INFORMATION	47
1. WATER CIRCUIT AND REFRIGERANT CIRCUIT	47
[a] AIR-COOLED MODELS	47
[b] WATER-COOLED MODELS	48
[c] REMOTE AIR-COOLED MODELS	49
2. WIRING DIAGRAMS	50
[a] KML-250MAH (Beginning Serial #L00001E, ending Serial #M10460F); KML-250MWH (Beginning Serial #L10001K, ending Serial #M10090D)	50
[b] KML-250MAH (Beginning Serial #M20461G); KML-250MWH (Beginning Serial #M20091G)	51
[c] KML-350MAF, KML-350MWF	52
[d] KML-350MAH (Beginning Serial #L00001L, ending Serial #M10290F); KML-350MWH (Beginning Serial #L00001J, ending Serial #M30080F)	53
[e] KML-350MAH (Beginning Serial #M20291G); KML-350MWH (Beginning Serial #M40081G)	54
[f] KML-450MAF, KML-450MWF	55
[g] KML-450MAH (Beginning Serial #L00101C, ending Serial #L00950G); KML-450MWH (Beginning Serial #L00001D, ending Serial #L00200G)	56
[h] KML-450MAH (Beginning Serial #L20951H, ending Serial #M12770F); KML-450MWH (Beginning Serial #L10201H, ending Serial #M20710F)	57
[i] KML-450MAH (Beginning Serial #M22771G); KML-450MWH (Beginning Serial #M30711G)	57
[j] KML-600MAF, KML-600MWF, KML-600MRF	59
[k] KML-600MAH (Beginning Serial #L00001F, ending Serial #L00070F); KML-600MWH (Beginning Serial #L00001D, ending Serial #L00080E) KML-600MRH (Beginning Serial #L00001F, ending Serial #L00050F)	60
[l] KML-600MAH (Beginning Serial #L10071H, ending Serial #M10460G); KML-600MWH (Beginning Serial #L10081K, ending Serial #M10140E) KML-600MRH (Beginning Serial #L10051H, ending Serial #M10350E)	61
[m] KML-600MAH (Beginning Serial #M2____); KML-600MWH (Beginning Serial #M20141F) KML-600MRH (Beginning Serial #M20331E)	62
3. TIMING CHART	63
4. PERFORMANCE DATA	65
[a] KML-250MAH	65
[b] KML-250MWH	66
[c] KML-350MAF	67
[d] KML-350MWF	68
[e] KML-350MAH	69
[f] KML-350MWH (Serial #L00001J through M20060C)	70
[g] KML-350MWH (Beginning Serial #M30061E)	71

[h] KML-450MAF	72
[i] KML-450MWF	73
[j] KML-450MAH	74
[k] KML-450MWH (Serial #L00001D through M10530B)	75
[l] KML-450MWH (Beginning Serial #M20531D)	76
[m] KML-600MAF	77
[n] KML-600MWF	78
[o] KML-600MRF	79
[p] KML-600MAH	80
[q] KML-600MWH (Serial #L00001D through M10115C)	81
[r] KML-600MWH (Beginning Serial #M10121E)	82
[s] KML-600MRH	83
IV. SERVICE DIAGNOSIS	84
1. NO ICE PRODUCTION	84
2. EVAPORATOR IS FROZEN UP	87
3. LOW ICE PRODUCTION	87
4. ABNORMAL ICE	88
5. OTHERS	89
V. REMOVAL AND REPLACEMENT OF COMPONENTS	89
1. SERVICE FOR REFRIGERANT LINES	89
[a] REFRIGERANT RECOVERY	89
[b] EVACUATION AND RECHARGE [R-404A]	89
2. BRAZING	90
3. REMOVAL AND REPLACEMENT OF COMPRESSOR	91
4. REMOVAL AND REPLACEMENT OF DRIER	92
5. REMOVAL AND REPLACEMENT OF EXPANSION VALVE	93
6. REMOVAL AND REPLACEMENT OF HOT GAS VALVE AND LINE VALVE	94
7. REMOVAL AND REPLACEMENT OF EVAPORATOR	96
8. REMOVAL AND REPLACEMENT OF WATER-REGULATING VALVE - WATER COOLED MODEL ONLY	97
9. ADJUSTMENT OF WATER-REGULATING VALVE - WATER COOLED MODEL ONLY	98
10. REMOVAL AND REPLACEMENT OF CONDENSING PRESSURE REGULATOR (C.P.R.) - REMOTE AIR-COOLED MODEL ONLY	99
11. REMOVAL AND REPLACEMENT OF THERMISTOR	100
12. REMOVAL AND REPLACEMENT OF FAN MOTOR	101
13. REMOVAL AND REPLACEMENT OF WATER VALVE	102
14. REMOVAL AND REPLACEMENT OF PUMP MOTOR	103
15. REMOVAL AND REPLACEMENT OF SPRAY TUBES	103
VI. CLEANING AND MAINTENANCE INSTRUCTIONS	104
1. PREPARING THE ICEMAKER FOR LONG STORAGE	104
2. CLEANING PROCEDURE	106
3. SANITIZING PROCEDURE	108
4. MAINTENANCE	109

I. SPECIFICATIONS
1. KML-250MAH

AC SUPPLY VOLTAGE	115/60/1			
AMPERAGE	8.2A (5 Min. Freeze AT 104°F / WT 80°F)			
MINIMUM CIRCUIT AMPACITY	20 A			
MAXIMUM FUSE SIZE	20 A			
APPROXIMATE ICE PRODUCTION PER 24 HR. lbs./day (kg/day) Reference without *marks	Ambient Temp.(°F)	WATER TEMP. (°F)		
		50	70	90
	70	*307 (139)	284 (139)	267 (121)
	80	289 (131)	253 (115)	245 (111)
	90	284 (129)	*227 (103)	215 (98)
	100	255 (116)	224 (102)	204 (93)
SHAPE OF ICE	Crescent Cube			
ICE PRODUCTION PER CYCLE	6.6 lbs. (3.0 kg) 360 pcs.			
APPROXIMATE STORAGE CAPACITY	N/A			
ELECTRIC & WATER CONSUMPTION	90/70°F	70/50°F		
	ELECTRIC W (kWH/100 lbs.)	795 (8.4)	755 (5.9)	
WATER gal./24HR (gal./100 lbs.)	75 (33.2)	194 (63.1)		
EXTERIOR DIMENSIONS (WxDxH)	30" x 27-3/8" x 22" (762 x 695 x 560 mm)			
EXTERIOR FINISH	Stainless Steel, Galvanized Steel (Rear)			
WEIGHT	Net 154 lbs. (70 kg), Shipping 185 lbs. (84 kg)			
CONNECTIONS - ELECTRIC	Permanent - Connection			
- WATER SUPPLY	Inlet 1/2" FPT			
- DRAIN	Outlet 3/4" FPT			
CUBE CONTROL SYSTEM	Float Switch			
HARVESTING CONTROL SYSTEM	Hot Gas and Water, Thermistor and Timer			
ICE MAKING WATER CONTROL	Timer Controlled. Overflow Pipe			
COOLING WATER CONTROL	N/A			
BIN CONTROL SYSTEM	Proximity Switch with Delay			
COMPRESSOR	Hermetic, Model ASE32C3E-CAA-202			
CONDENSER	Air-cooled, Fin and tube type			
EVAPORATOR	Vertical type, Stainless Steel and Copper			
REFRIGERANT CONTROL	Thermostatic Expansion Valve			
REFRIGERANT CHARGE	R-404A, 1 lb. 2 oz. (505 g)			
DESIGN PRESSURE	High 467 PSIG, Low 230 PSIG			
P.C. BOARD CIRCUIT PROTECTION	High Voltage Cut-out (Internal)			
COMPRESSOR PROTECTION	Auto-reset Overload Protector (Internal)			
REFRIGERANT CIRCUIT PROTECTION	Auto-reset High Pressure Control Switch			
LOW WATER PROTECTION	Float Switch			
ACCESSORIES -SUPPLIED	N/A			
-REQUIRED	Ice Storage Bin			
OPERATING CONDITIONS	VOLTAGE RANGE	104 - 127 V		
	AMBIENT TEMP.	45 -100° F		
	WATER SUPPLY TEMP.	45 - 90° F		
	WATER SUPPLY PRESSURE	10 - 113 PSIG		

We reserve the right to make changes in specifications and design without prior notice.

2. KML-250MWH

AC SUPPLY VOLTAGE	115/60/1		
AMPERAGE	7.5 A (5 Min. Freeze AT 104°F / WT 80°F)		
MINIMUM CIRCUIT AMPACITY	20 A		
MAXIMUM FUSE SIZE	20 A		
APPROXIMATE ICE PRODUCTION PER 24 HR.	Ambient	WATER TEMP. (°F)	
lbs./day (kg/day)	Temp.(°F)	50	70
Reference without *marks	70	*314 (142)	304 (138)
	80	306 (139)	290 (132)
	90	304 (138)	*279 (127)
	100	301 (137)	265 (120)
		276 (125)	252 (114)
SHAPE OF ICE	Crescent Cube		
ICE PRODUCTION PER CYCLE	6.6 lbs. (3.0 kg) 360 pcs.		
APPROXIMATE STORAGE CAPACITY	N/A		
ELECTRIC & WATER CONSUMPTION	90/70°F	70/50°F	
ELECTRIC W (kWH/100 lbs.)	756 (6.5)	720 (5.5)	
WATER gal./24HR (gal./100 lbs.)	104 (37.2)	172 (54.7)	
WATER COOLED CONDENSER gal./24HR (gal./100 lbs.)	407 (146)	226 (72)	
EXTERIOR DIMENSIONS (WxDxH)	30" x 27-3/8" x 22" (762 x 695 x 559 mm)		
EXTERIOR FINISH	Stainless Steel, Galvanized Steel (Rear)		
WEIGHT	Net 154 lbs. (70 kg), Shipping 185 lbs. (84 kg)		
CONNECTIONS - ELECTRIC	Permanent - Connection		
- WATER SUPPLY	Inlet 1/2" FPT	Condenser Inlet 1/2" FPT	
- DRAIN	Outlet 3/4" FPT	Condenser Outlet 3/8" FPT	
CUBE CONTROL SYSTEM	Float Switch		
HARVESTING CONTROL SYSTEM	Hot Gas and Water, Thermistor and Timer		
ICE MAKING WATER CONTROL	Timer Controlled. Overflow Pipe		
COOLING WATER CONTROL	Pressure Regulator		
BIN CONTROL SYSTEM	Proximity Switch with Delay		
COMPRESSOR	Hermetic, Model ASE32C3E-CAA-202		
CONDENSER	Water-cooled, Tube in tube type		
EVAPORATOR	Vertical type, Stainless Steel and Copper		
REFRIGERANT CONTROL	Thermostatic Expansion Valve		
REFRIGERANT CHARGE	R-404A, 14.1 oz. (400 g)		
DESIGN PRESSURE	High 427 PSIG, Low 230 PSIG		
P.C. BOARD CIRCUIT PROTECTION	High Voltage Cut-out (Internal)		
COMPRESSOR PROTECTION	Auto-reset Overload Protector (Internal)		
REFRIGERANT CIRCUIT PROTECTION	Auto-reset High Pressure Control Switch		
LOW WATER PROTECTION	Float Switch		
ACCESSORIES -SUPPLIED	N/A		
-REQUIRED	Ice Storage Bin		
OPERATING CONDITIONS	VOLTAGE RANGE	104 - 127 V	
	AMBIENT TEMP.	45 -100° F	
	WATER SUPPLY TEMP.	45 - 90° F	
	WATER SUPPLY PRESSURE	10 - 113 PSIG	

We reserve the right to make changes in specifications and design without prior notice.

3. KML-350MAF

AC SUPPLY VOLTAGE	115/60/1		
AMPERAGE	11 A (5 Min. Freeze AT 104°F / WT 80°F)		
MINIMUM CIRCUIT AMPACITY	20 A		
MAXIMUM FUSE SIZE	20 A		
APPROXIMATE ICE PRODUCTION PER 24 HR.	Ambient Temp.(°F)	WATER TEMP. (°F)	
lbs./day (kg/day)		50	70
Reference without *marks	70	*350 (159)	336 (152)
	80	339 (154)	317 (144)
	90	336 (152)	*301 (137)
	100	328 (149)	294 (133)
SHAPE OF ICE	Crescent Cube		
ICE PRODUCTION PER CYCLE	7.3 lbs. (3.3 kg) 360 pcs.		
APPROXIMATE STORAGE CAPACITY	N/A		
ELECTRIC & WATER CONSUMPTION	90/70°F	70/50°F	
ELECTRIC W (kWH/100 lbs.)	953 (7.6)	802 (5.5)	
WATER gal./24HR (gal./100 lbs.)	77 (25.5)	170 (48.5)	
EXTERIOR DIMENSIONS (WxDxH)	30" x 27-3/8" x 22" (762 x 695 x 560 mm)		
EXTERIOR FINISH	Stainless Steel, Galvanized Steel (Rear)		
WEIGHT	Net 154 lbs. (70 kg), Shipping 185 lbs. (84 kg)		
CONNECTIONS - ELECTRIC	Permanent - Connection		
- WATER SUPPLY	Inlet 1/2" FPT		
- DRAIN	Outlet 3/4" FPT		
CUBE CONTROL SYSTEM	Float Switch		
HARVESTING CONTROL SYSTEM	Hot Gas and Water, Thermistor and Timer		
ICE MAKING WATER CONTROL	Timer Controlled. Overflow Pipe		
COOLING WATER CONTROL	N/A		
BIN CONTROL SYSTEM	Thermostat		
COMPRESSOR	Hermetic, Model RS43C1E-CAA-219		
CONDENSER	Air-cooled, Fin and tube type		
EVAPORATOR	Vertical type, Stainless Steel and Copper		
REFRIGERANT CONTROL	Thermostatic Expansion Valve		
REFRIGERANT CHARGE	R-404A, 1 lb. 2 oz. (505 g)		
DESIGN PRESSURE	High 467 PSIG, Low 230 PSIG		
P.C. BOARD CIRCUIT PROTECTION	High Voltage Cut-out (Internal)		
COMPRESSOR PROTECTION	Auto-reset Overload Protector (Internal)		
REFRIGERANT CIRCUIT PROTECTION	Auto-reset High Pressure Control Switch		
LOW WATER PROTECTION	Float Switch		
ACCESSORIES -SUPPLIED	N/A		
-REQUIRED	Ice Storage Bin		
OPERATING CONDITIONS	VOLTAGE RANGE	104 - 127 V	
	AMBIENT TEMP.	45 -100° F	
	WATER SUPPLY TEMP.	45 - 90° F	
	WATER SUPPLY PRESSURE	10 - 113 PSIG	

We reserve the right to make changes in specifications and design without prior notice.

4. KML-350MWF

AC SUPPLY VOLTAGE	115/60/1		
AMPERAGE	10.5 A (5 Min. Freeze AT 104°F / WT 80°F)		
MINIMUM CIRCUIT AMPACITY	20 A		
MAXIMUM FUSE SIZE	20 A		
APPROXIMATE ICE PRODUCTION PER 24 HR.	Ambient Temp.(°F)	WATER TEMP. (°F)	
lbs./day (kg/day)		50	70
Reference without *marks	70	*358 (162)	349 (158)
	80	351 (159)	336 (153)
	90	349 (158)	*326 (148)
	100	340 (154)	319 (145)
SHAPE OF ICE	Crescent Cube		
ICE PRODUCTION PER CYCLE	7.3 lbs. (3.3 kg) 360 pcs.		
APPROXIMATE STORAGE CAPACITY	N/A		
ELECTRIC & WATER CONSUMPTION	90/70°F	70/50°F	
ELECTRIC W (kWH/100 lbs.)	883 (6.5)	880 (5.9)	
WATER gal./24HR (gal./100 lbs.)	86 (26.4)	118 (33.1)	
WATER COOLED CONDENSER gal./24HR (gal./100 lbs.)	469 (144.0)	240 (67.0)	
EXTERIOR DIMENSIONS (WxDxH)	30" x 27-3/8" x 22" (762 x 695 x 560 mm)		
EXTERIOR FINISH	Stainless Steel, Galvanized Steel (Rear)		
WEIGHT	Net 154 lbs. (70 kg), Shipping 185 lbs. (84 kg)		
CONNECTIONS - ELECTRIC	Permanent - Connection		
- WATER SUPPLY	Inlet 1/2" FPT	Condenser Inlet 1/2" FPT	
- DRAIN	Outlet 3/4" FPT	Condenser Outlet 3/8" FPT	
CUBE CONTROL SYSTEM	Float Switch		
HARVESTING CONTROL SYSTEM	Hot Gas and Water, Thermistor and Timer		
ICE MAKING WATER CONTROL	Timer Controlled. Overflow Pipe		
COOLING WATER CONTROL	Pressure Regulator		
BIN CONTROL SYSTEM	Thermostat		
COMPRESSOR	Hermetic, Model RS43C1E-CAA		
CONDENSER	Water-cooled, Tube in tube type		
EVAPORATOR	Vertical type, Stainless Steel and Copper		
REFRIGERANT CONTROL	Thermostatic Expansion Valve		
REFRIGERANT CHARGE	R-404A, 13.6 oz. (385 g)		
DESIGN PRESSURE	High 427 PSIG, Low 230 PSIG		
P.C. BOARD CIRCUIT PROTECTION	High Voltage Cut-out (Internal)		
COMPRESSOR PROTECTION	Auto-reset Overload Protector (Internal)		
REFRIGERANT CIRCUIT PROTECTION	Auto-reset High Pressure Control Switch		
LOW WATER PROTECTION	Float Switch		
ACCESSORIES -SUPPLIED	N/A		
-REQUIRED	Ice Storage Bin		
OPERATING CONDITIONS	VOLTAGE RANGE	104 - 127 V	
	AMBIENT TEMP.	45 -100° F	
	WATER SUPPLY TEMP.	45 - 90° F	
	WATER SUPPLY PRESSURE	10 - 113 PSIG	

* We reserve the right to make changes in specifications and design without prior notice.

5. KML-350MAH

AC SUPPLY VOLTAGE	115/60/1		
AMPERAGE	11 A (5 Min. Freeze AT 104°F / WT 80°F)		
MINIMUM CIRCUIT AMPACITY	20 A		
MAXIMUM FUSE SIZE	20 A		
APPROXIMATE ICE PRODUCTION PER 24 HR. lbs./day (kg/day) Reference without *marks	Ambient Temp.(°F)	WATER TEMP. (°F)	
		50	70
	70	*350 (159)	336 (152)
	80	339 (154)	317 (144)
	90	336 (152)	*301 (137)
	100	328 (149)	294 (133)
SHAPE OF ICE	Crescent Cube		
ICE PRODUCTION PER CYCLE	7.3 lbs. (3.3 kg) 360 pcs.		
APPROXIMATE STORAGE CAPACITY	N/A		
ELECTRIC & WATER CONSUMPTION	90/70°F	70/50°F	
ELECTRIC W (kWH/100 lbs.)	953 (7.6)	802 (5.5)	
WATER gal./24HR (gal./100 lbs.)	77 (25.5)	170 (48.5)	
EXTERIOR DIMENSIONS (WxDxH)	30" x 27-3/8" x 22" (762 x 695 x 560 mm)		
EXTERIOR FINISH	Stainless Steel, Galvanized Steel (Rear)		
WEIGHT	Net 154 lbs. (70 kg), Shipping 185 lbs. (84 kg)		
CONNECTIONS - ELECTRIC	Permanent - Connection		
- WATER SUPPLY	Inlet 1/2" FPT		
- DRAIN	Outlet 3/4" FPT		
CUBE CONTROL SYSTEM	Float Switch		
HARVESTING CONTROL SYSTEM	Hot Gas and Water, Thermistor and Timer		
ICE MAKING WATER CONTROL	Timer Controlled. Overflow Pipe		
COOLING WATER CONTROL	N/A		
BIN CONTROL SYSTEM	Proximity Switch with Delay		
COMPRESSOR	Hermetic, Model RS43C2E-CAA-219		
CONDENSER	Air-cooled, Fin and tube type		
EVAPORATOR	Vertical type, Stainless Steel and Copper		
REFRIGERANT CONTROL	Thermostatic Expansion Valve		
REFRIGERANT CHARGE	R-404A, 1 lb. 2 oz. (505 g)		
DESIGN PRESSURE	High 467 PSIG, Low 230 PSIG		
P.C. BOARD CIRCUIT PROTECTION	High Voltage Cut-out (Internal)		
COMPRESSOR PROTECTION	Auto-reset Overload Protector (Internal)		
REFRIGERANT CIRCUIT PROTECTION	Auto-reset High Pressure Control Switch		
LOW WATER PROTECTION	Float Switch		
ACCESSORIES -SUPPLIED	N/A		
-REQUIRED	Ice Storage Bin		
OPERATING CONDITIONS	VOLTAGE RANGE	104 - 127 V	
	AMBIENT TEMP.	45 -100° F	
	WATER SUPPLY TEMP.	45 - 90° F	
	WATER SUPPLY PRESSURE	10 - 113 PSIG	

We reserve the right to make changes in specifications and design without prior notice.

6. KML-350MWH (Beginning serial #L00001J, ending Serial #M20060C)

AC SUPPLY VOLTAGE	115/60/1		
AMPERAGE	10.5 A (5 Min. Freeze AT 104°F / WT 80°F)		
MINIMUM CIRCUIT AMPACITY	20 A		
MAXIMUM FUSE SIZE	20 A		
APPROXIMATE ICE PRODUCTION PER 24 HR.	Ambient Temp.(°F)	WATER TEMP. (°F)	
lbs./day (kg/day)		50	70
Reference without *marks	70	*358 (162)	349 (158)
	80	351 (159)	336 (153)
	90	349 (158)	*326 (148)
	100	340 (154)	319 (145)
SHAPE OF ICE	Crescent Cube		
ICE PRODUCTION PER CYCLE	7.3 lbs. (3.3 kg) 360 pcs.		
APPROXIMATE STORAGE CAPACITY	N/A		
ELECTRIC & WATER CONSUMPTION	90/70°F	70/50°F	
ELECTRIC W (kWH/100 lbs.)	883 (6.5)	880 (5.9)	
WATER gal./24HR (gal./100 lbs.)	86 (26.4)	118 (33.1)	
WATER COOLED CONDENSER gal./24HR (gal./100 lbs.)	469 (144.0)	240 (67.0)	
EXTERIOR DIMENSIONS (WxDxH)	30" x 27-3/8" x 22" (762 x 695 x 560 mm)		
EXTERIOR FINISH	Stainless Steel, Galvanized Steel (Rear)		
WEIGHT	Net 154 lbs. (70 kg), Shipping 185 lbs. (84 kg)		
CONNECTIONS - ELECTRIC	Permanent - Connection		
- WATER SUPPLY	Inlet 1/2" FPT	Condenser Inlet 1/2" FPT	
- DRAIN	Outlet 3/4" FPT	Condenser Outlet 3/8" FPT	
CUBE CONTROL SYSTEM	Float Switch		
HARVESTING CONTROL SYSTEM	Hot Gas and Water, Thermistor and Timer		
ICE MAKING WATER CONTROL	Timer Controlled. Overflow Pipe		
COOLING WATER CONTROL	Pressure Regulator		
BIN CONTROL SYSTEM	Proximity Switch with Delay		
COMPRESSOR	Hermetic, Model RS43C2E-CAA-219		
CONDENSER	Water-cooled, Tube in tube type		
EVAPORATOR	Vertical type, Stainless Steel and Copper		
REFRIGERANT CONTROL	Thermostatic Expansion Valve		
REFRIGERANT CHARGE	R-404A, 13.6 oz. (385 g)		
DESIGN PRESSURE	High 427 PSIG, Low 230 PSIG		
P.C. BOARD CIRCUIT PROTECTION	High Voltage Cut-out (Internal)		
COMPRESSOR PROTECTION	Auto-reset Overload Protector (Internal)		
REFRIGERANT CIRCUIT PROTECTION	Auto-reset High Pressure Control Switch		
LOW WATER PROTECTION	Float Switch		
ACCESSORIES -SUPPLIED	N/A		
-REQUIRED	Ice Storage Bin		
OPERATING CONDITIONS	VOLTAGE RANGE	104 - 127 V	
	AMBIENT TEMP.	45 -100° F	
	WATER SUPPLY TEMP.	45 - 90° F	
	WATER SUPPLY PRESSURE	10 - 113 PSIG	

We reserve the right to make changes in specifications and design without prior notice.

7. KML-350MWH (Beginning serial #M30061E)

AC SUPPLY VOLTAGE	115/60/1			
AMPERAGE	10.5 A (5 Min. Freeze AT 104°F / WT 80°F)			
MINIMUM CIRCUIT AMPACITY	20 A			
MAXIMUM FUSE SIZE	20 A			
APPROXIMATE ICE PRODUCTION PER 24 HR. lbs./day (kg/day) Reference without *marks	Ambient Temp.(°F)	WATER TEMP. (°F)		
		50	70	90
	70	*354 (161)	345 (157)	330 (149)
	80	347 (158)	334 (151)	316 (143)
	90	345 (157)	*324 (147)	307 (139)
	100	341 (155)	320 (145)	291 (132)
SHAPE OF ICE	Crescent Cube			
ICE PRODUCTION PER CYCLE	7.3 lbs. (3.3 kg) 360 pcs.			
APPROXIMATE STORAGE CAPACITY	N/A			
ELECTRIC & WATER CONSUMPTION	90/70°F	70/50°F		
ELECTRIC W (kWH/100 lbs.)	891 (6.6)	885 (6.0)		
WATER gal./24HR (gal./100 lbs.)	87 (26.9)	146 (41.2)		
WATER COOLED CONDENSER gal./24HR (gal./100 lbs.)	402 (124)	251 (71)		
EXTERIOR DIMENSIONS (WxDxH)	30" x 27-3/8" x 22" (762 x 695 x 560 mm)			
EXTERIOR FINISH	Stainless Steel, Galvanized Steel (Rear)			
WEIGHT	Net 154 lbs. (70 kg), Shipping 185 lbs. (84 kg)			
CONNECTIONS - ELECTRIC	Permanent - Connection			
- WATER SUPPLY	Inlet 1/2" FPT	Condenser Inlet	1/2" FPT	
- DRAIN	Outlet 3/4" FPT	Condenser Outlet	3/8" FPT	
CUBE CONTROL SYSTEM	Float Switch			
HARVESTING CONTROL SYSTEM	Hot Gas and Water, Thermistor and Timer			
ICE MAKING WATER CONTROL	Timer Controlled. Overflow Pipe			
COOLING WATER CONTROL	Pressure Regulator			
BIN CONTROL SYSTEM	Proximity Switch with Delay			
COMPRESSOR	Hermetic, Model RS43C2E-CAA-219			
CONDENSER	Water-cooled, Tube in tube type			
EVAPORATOR	Vertical type, Stainless Steel and Copper			
REFRIGERANT CONTROL	Thermostatic Expansion Valve			
REFRIGERANT CHARGE	R-404A, 13.5 oz. (385 g)			
DESIGN PRESSURE	High 427 PSIG, Low 230 PSIG			
P.C. BOARD CIRCUIT PROTECTION	High Voltage Cut-out (Internal)			
COMPRESSOR PROTECTION	Auto-reset Overload Protector (Internal)			
REFRIGERANT CIRCUIT PROTECTION	Auto-reset High Pressure Control Switch			
LOW WATER PROTECTION	Float Switch			
ACCESSORIES -SUPPLIED	N/A			
-REQUIRED	Ice Storage Bin			
OPERATING CONDITIONS	VOLTAGE RANGE	104 - 127 V		
	AMBIENT TEMP.	45 -100° F		
	WATER SUPPLY TEMP.	45 - 90° F		
	WATER SUPPLY PRESSURE	10 - 113 PSIG		

We reserve the right to make changes in specifications and design without prior notice.

8. KML-450MAF

AC SUPPLY VOLTAGE	115/60/1		
AMPERAGE	13.3 A (5 Min. Freeze AT 104°F / WT 80°F)		
MINIMUM CIRCUIT AMPACITY	20 A		
MAXIMUM FUSE SIZE	20 A		
APPROXIMATE ICE PRODUCTION PER 24 HR.	Ambient Temp.(°F)	WATER TEMP. (°F)	
lbs./day (kg/day)		50	70
Reference without *marks	70	*432 (196)	400 (182)
	80	408 (185)	359 (163)
	90	400 (182)	*324 (147)
	100	390 (177)	321 (146)
SHAPE OF ICE	Crescent Cube		
ICE PRODUCTION PER CYCLE	6.6 lbs. (3.0 kg) 360 pcs.		
APPROXIMATE STORAGE CAPACITY	N/A		
ELECTRIC & WATER CONSUMPTION	90/70°F	70/50°F	
ELECTRIC W (kWH/100 lbs.)	1175 (8.7)	1062 (5.9)	
WATER gal./24HR (gal./100 lbs.)	92 (28.3)	172 (39.8)	
EXTERIOR DIMENSIONS (WxDxH)	30" x 27-3/8" x 22" (762 x 695 x 560 mm)		
EXTERIOR FINISH	Stainless Steel, Galvanized Steel (Rear)		
WEIGHT	Net 154 lbs. (70 kg), Shipping 185 lbs. (84 kg)		
CONNECTIONS - ELECTRIC	Permanent - Connection		
- WATER SUPPLY	Inlet 1/2" FPT		
- DRAIN	Outlet 3/4" FPT		
CUBE CONTROL SYSTEM	Float Switch		
HARVESTING CONTROL SYSTEM	Hot Gas and Water, Thermistor and Timer		
ICE MAKING WATER CONTROL	Timer Controlled. Overflow Pipe		
COOLING WATER CONTROL	N/A		
BIN CONTROL SYSTEM	Thermostat		
COMPRESSOR	Hermetic, Model RS55C2E-CAA		
CONDENSER	Air-cooled, Fin and tube type		
EVAPORATOR	Vertical type, Stainless Steel and Copper		
REFRIGERANT CONTROL	Thermostatic Expansion Valve		
REFRIGERANT CHARGE	R-404A, 1 lb. 6 oz. (625 g)		
DESIGN PRESSURE	High 467 PSIG, Low 230 PSIG		
P.C. BOARD CIRCUIT PROTECTION	High Voltage Cut-out (Internal)		
COMPRESSOR PROTECTION	Auto-reset Overload Protector (Internal)		
REFRIGERANT CIRCUIT PROTECTION	Auto-reset High Pressure Control Switch		
LOW WATER PROTECTION	Float Switch		
ACCESSORIES -SUPPLIED	N/A		
-REQUIRED	Ice Storage Bin		
OPERATING CONDITIONS	VOLTAGE RANGE	104 - 127 V	
	AMBIENT TEMP.	45 -100° F	
	WATER SUPPLY TEMP.	45 - 90° F	
	WATER SUPPLY PRESSURE	10 - 113 PSIG	

* We reserve the right to make changes in specifications and design without prior notice.

9. KML-450MWF

AC SUPPLY VOLTAGE	115/60/1		
AMPERAGE	10 A (5 Min. Freeze AT 104°F / WT 80°F)		
MINIMUM CIRCUIT AMPACITY	15 A		
MAXIMUM FUSE SIZE	15 A		
APPROXIMATE ICE PRODUCTION PER 24 HR.	Ambient Temp.(°F)	WATER TEMP. (°F)	
lbs./day (kg/day)		50	70
Reference without *marks	70	*447 (203)	430 (195)
	80	434 (197)	408 (185)
	90	430 (195)	*390 (177)
	100	425 (193)	384 (174)
SHAPE OF ICE	Crescent Cube		
ICE PRODUCTION PER CYCLE	6.6 lbs. (3.0 kg) 360 pcs.		
APPROXIMATE STORAGE CAPACITY	N/A		
ELECTRIC & WATER CONSUMPTION	90/70°F	70/50°F	
ELECTRIC W (kWH/100 lbs.)	1056 (6.5)	1043 (5.6)	
WATER gal./24HR (gal./100 lbs.)	114 (29.3)	163 (36.5)	
WATER COOLED CONDENSER gal./24HR (gal./100 lbs.)	694 (178)	398 (89)	
EXTERIOR DIMENSIONS (WxDxH)	30" x 27-3/8" x 22" (762 x 695 x 560 mm)		
EXTERIOR FINISH	Stainless Steel, Galvanized Steel (Rear)		
WEIGHT	Net 154 lbs. (70 kg), Shipping 185 lbs. (84 kg)		
CONNECTIONS - ELECTRIC	Permanent - Connection		
- WATER SUPPLY	Inlet 1/2" FPT	Condenser Inlet 1/2" FPT	
- DRAIN	Outlet 3/4" FPT	Condenser Outlet 3/8" FPT	
CUBE CONTROL SYSTEM	Float Switch		
HARVESTING CONTROL SYSTEM	Hot Gas and Water, Thermistor and Timer		
ICE MAKING WATER CONTROL	Timer Controlled. Overflow Pipe		
COOLING WATER CONTROL	Pressure Regulator		
BIN CONTROL SYSTEM	Thermostat		
COMPRESSOR	Hermetic, Model RS55C2E-CAA		
CONDENSER	Water-cooled, Tube in tube type		
EVAPORATOR	Vertical type, Stainless Steel and Copper		
REFRIGERANT CONTROL	Thermostatic Expansion Valve		
REFRIGERANT CHARGE	R-404A, 15.8 oz. (450 g)		
DESIGN PRESSURE	High 427 PSIG, Low 230 PSIG		
P.C. BOARD CIRCUIT PROTECTION	High Voltage Cut-out (Internal)		
COMPRESSOR PROTECTION	Auto-reset Overload Protector (Internal)		
REFRIGERANT CIRCUIT PROTECTION	Auto-reset High Pressure Control Switch		
LOW WATER PROTECTION	Float Switch		
ACCESSORIES -SUPPLIED	N/A		
-REQUIRED	Ice Storage Bin		
OPERATING CONDITIONS	VOLTAGE RANGE	104 - 127 V	
	AMBIENT TEMP.	45 -100° F	
	WATER SUPPLY TEMP.	45 - 90° F	
	WATER SUPPLY PRESSURE	10 - 113 PSIG	

* We reserve the right to make changes in specifications and design without prior notice.

10. KML-450MAH

AC SUPPLY VOLTAGE	115/60/1			
AMPERAGE	13.3 A (5 Min. Freeze AT 104°F / WT 80°F)			
MINIMUM CIRCUIT AMPACITY	20 A			
MAXIMUM FUSE SIZE	20 A			
APPROXIMATE ICE PRODUCTION PER 24 HR. lbs./day (kg/day) Reference without *marks	Ambient Temp.(°F)	WATER TEMP. (°F)		
		50	70	90
	70	*432 (196)	400 (182)	381 (173)
	80	408 (185)	359 (163)	353 (160)
	90	400 (182)	*324 (147)	313 (142)
	100	390 (177)	321 (146)	302 (137)
SHAPE OF ICE	Crescent Cube			
ICE PRODUCTION PER CYCLE	6.6 lbs. (3.0 kg) 360 pcs.			
APPROXIMATE STORAGE CAPACITY	N/A			
ELECTRIC & WATER CONSUMPTION	90/70°F	70/50°F		
ELECTRIC W (kWH/100 lbs.)	1175 (8.7)	1062 (5.9)		
WATER gal./24HR (gal./100 lbs.)	92 (28.3)	172 (39.8)		
EXTERIOR DIMENSIONS (WxDxH)	30" x 27-3/8" x 22" (762 x 695 x 560 mm)			
EXTERIOR FINISH	Stainless Steel, Gaivanized Steel (Rear)			
WEIGHT	Net 154 lbs. (70 kg), Shipping 185 lbs. (84 kg)			
CONNECTIONS - ELECTRIC	Permanent - Connection			
- WATER SUPPLY	Inlet 1/2" FPT			
- DRAIN	Outlet 3/4" FPT			
CUBE CONTROL SYSTEM	Float Switch			
HARVESTING CONTROL SYSTEM	Hot Gas and Water, Thermistor and Timer			
ICE MAKING WATER CONTROL	Timer Controlled. Overflow Pipe			
COOLING WATER CONTROL	N/A			
BIN CONTROL SYSTEM	Proximity Switch with Delay			
COMPRESSOR	Hermetic, Model RS55C2E-CAA-219			
CONDENSER	Air-cooled, Fin and tube type			
EVAPORATOR	Vertical type, Stainless Steel and Copper			
REFRIGERANT CONTROL	Thermostatic Expansion Valve			
REFRIGERANT CHARGE	R-404A, 1 lb. 6 oz. (625 g)			
DESIGN PRESSURE	High 467 PSIG, Low 230 PSIG			
P.C. BOARD CIRCUIT PROTECTION	High Voltage Cut-out (Internal)			
COMPRESSOR PROTECTION	Auto-reset Overload Protector (Internal)			
REFRIGERANT CIRCUIT PROTECTION	Auto-reset High Pressure Control Switch			
LOW WATER PROTECTION	Float Switch			
ACCESSORIES -SUPPLIED	N/A			
-REQUIRED	Ice Storage Bin			
OPERATING CONDITIONS	VOLTAGE RANGE	104 - 127 V		
	AMBIENT TEMP.	45 -100° F		
	WATER SUPPLY TEMP.	45 - 90° F		
	WATER SUPPLY PRESSURE	10 - 113 PSIG		

We reserve the right to make changes in specifications and design without prior notice.

11. KML-450MWH (Beginning Serial #L00001D, ending Serial #M10530B)

AC SUPPLY VOLTAGE	115/60/1			
AMPERAGE	13.3 A (5 Min. Freeze AT 104°F / WT 80°F)			
MINIMUM CIRCUIT AMPACITY	20 A			
MAXIMUM FUSE SIZE	20 A			
APPROXIMATE ICE PRODUCTION PER 24 HR. lbs./day (kg/day) Reference without *marks	Ambient Temp.(°F)	WATER TEMP. (°F)		
		50	70	90
	70	*432 (196)	400 (182)	381 (173)
	80	408 (185)	359 (163)	353 (160)
	90	400 (182)	*324 (147)	313 (142)
	100	390 (177)	321 (146)	302 (137)
SHAPE OF ICE	Crescent Cube			
ICE PRODUCTION PER CYCLE	6.6 lbs. (3.0 kg) 360 pcs.			
APPROXIMATE STORAGE CAPACITY	N/A			
ELECTRIC & WATER CONSUMPTION	90/70°F	70/50°F		
ELECTRIC W (kWH/100 lbs.)	1175 (8.7)	1062 (5.9)		
WATER gal./24HR (gal./100 lbs.)	92 (28.3)	172 (39.8)		
EXTERIOR DIMENSIONS (WxDxH)	30" x 27-3/8" x 22" (762 x 695 x 560 mm)			
EXTERIOR FINISH	Stainless Steel, Galvanized Steel (Rear)			
WEIGHT	Net 154 lbs. (70 kg), Shipping 185 lbs. (84 kg)			
CONNECTIONS - ELECTRIC	Permanent - Connection			
- WATER SUPPLY	Inlet 1/2" FPT			
- DRAIN	Outlet 3/4" FPT			
CUBE CONTROL SYSTEM	Float Switch			
HARVESTING CONTROL SYSTEM	Hot Gas and Water, Thermistor and Timer			
ICE MAKING WATER CONTROL	Timer Controlled. Overflow Pipe			
COOLING WATER CONTROL	N/A			
BIN CONTROL SYSTEM	Proximity Switch with Delay			
COMPRESSOR	Hermetic, Model RS55C2E-CAA-219			
CONDENSER	Air-cooled, Fin and tube type			
EVAPORATOR	Vertical type, Stainless Steel and Copper			
REFRIGERANT CONTROL	Thermostatic Expansion Valve			
REFRIGERANT CHARGE	R-404A, 1 lb. 6 oz. (625 g)			
DESIGN PRESSURE	High 467 PSIG, Low 230 PSIG			
P.C. BOARD CIRCUIT PROTECTION	High Voltage Cut-out (Internal)			
COMPRESSOR PROTECTION	Auto-reset Overload Protector (Internal)			
REFRIGERANT CIRCUIT PROTECTION	Auto-reset High Pressure Control Switch			
LOW WATER PROTECTION	Float Switch			
ACCESSORIES -SUPPLIED	N/A			
-REQUIRED	Ice Storage Bin			
OPERATING CONDITIONS	VOLTAGE RANGE	104 - 127 V		
	AMBIENT TEMP.	45 -100° F		
	WATER SUPPLY TEMP.	45 - 90° F		
	WATER SUPPLY PRESSURE	10 - 113 PSIG		

We reserve the right to make changes in specifications and design without prior notice.

12. KML-450MWH (Beginning Serial #M20531D)

AC SUPPLY VOLTAGE	115/60/1			
AMPERAGE	10 A (5 Min. Freeze AT 104°F / WT 80°F)			
MINIMUM CIRCUIT AMPACITY	15 A			
MAXIMUM FUSE SIZE	15 A			
APPROXIMATE ICE PRODUCTION PER 24 HR. lbs./day (kg/day) Reference without *marks	Ambient Temp.(°F)	WATER TEMP. (°F)		
		50	70	90
	70	*433 (196)	426 (193)	402 (182)
	80	428 (194)	417 (189)	385 (175)
	90	426 (193)	*409 (186)	380 (173)
	100	417 (189)	402 (182)	354 (161)
SHAPE OF ICE	Crescent Cube			
ICE PRODUCTION PER CYCLE	6.6 lbs. (3.0 kg) 360 pcs.			
APPROXIMATE STORAGE CAPACITY	N/A			
ELECTRIC & WATER CONSUMPTION	90/70°F	70/50°F		
ELECTRIC W (kWH/100 lbs.)	1078 (6.2)	1064 (5.9)		
WATER gal./24HR (gal./100 lbs.)	114 (27.8)	192 (44.4)		
WATER COOLED CONDENSER gal./24HR (gal./100 lbs.)	614 (150)	355 (82)		
EXTERIOR DIMENSIONS (WxDxH)	30" x 27-3/8" x 22" (762 x 695 x 560 mm)			
EXTERIOR FINISH	Stainless Steel, Galvanized Steel (Rear)			
WEIGHT	Net 154 lbs. (70 kg), Shipping 185 lbs. (84 kg)			
CONNECTIONS - ELECTRIC	Permanent - Connection			
- WATER SUPPLY	Inlet 1/2" FPT	Condenser Inlet 1/2" FPT		
- DRAIN	Outlet 3/4" FPT	Condenser Outlet 3/8" FPT		
CUBE CONTROL SYSTEM	Float Switch			
HARVESTING CONTROL SYSTEM	Hot Gas and Water, Thermistor and Timer			
ICE MAKING WATER CONTROL	Timer Controlled. Overflow Pipe			
COOLING WATER CONTROL	Pressure Regulator			
BIN CONTROL SYSTEM	Proximity Switch with Delay			
COMPRESSOR	Hermetic, Model RS55C2E-CAA-219			
CONDENSER	Water-cooled, Tube in tube type			
EVAPORATOR	Vertical type, Stainless Steel and Copper			
REFRIGERANT CONTROL	Thermostatic Expansion Valve			
REFRIGERANT CHARGE	R-404A, 15.8 oz. (450 g)			
DESIGN PRESSURE	High 427 PSIG, Low 206 PSIG			
P.C. BOARD CIRCUIT PROTECTION	High Voltage Cut-out (Internal)			
COMPRESSOR PROTECTION	Auto-reset Overload Protector (Internal)			
REFRIGERANT CIRCUIT PROTECTION	Auto-reset High Pressure Control Switch			
LOW WATER PROTECTION	Float Switch			
ACCESSORIES -SUPPLIED	N/A			
-REQUIRED	Ice Storage Bin			
OPERATING CONDITIONS	VOLTAGE RANGE	104 - 127 V		
	AMBIENT TEMP.	45 -100° F		
	WATER SUPPLY TEMP.	45 - 90° F		
	WATER SUPPLY PRESSURE	10 - 113 PSIG		

We reserve the right to make changes in specifications and design without prior notice.

13. KML-600MAF

AC SUPPLY VOLTAGE	208-230/60/1 (3 wire with neutral for 115V)			
AMPERAGE	8.7 A (5 Min. Freeze AT 104°F / WT 80°F)			
MINIMUM CIRCUIT AMPACITY	15 A			
MAXIMUM FUSE SIZE	15 A			
APPROXIMATE ICE PRODUCTION PER 24 HR. lbs./day (kg/day) Reference without *marks	Ambient Temp.(°F)	WATER TEMP. (°F)		
		50	70	90
	70	*631 (286)	596 (271)	542 (246)
	80	605 (274)	551 (250)	492 (223)
	90	575 (261)	*513 (233)	455 (206)
	100	540 (245)	499 (226)	401 (182)
SHAPE OF ICE	Crescent Cube			
ICE PRODUCTION PER CYCLE	10 lbs. (4.54 kg) 480 pcs.			
APPROXIMATE STORAGE CAPACITY	N/A			
ELECTRIC & WATER CONSUMPTION	90/70°F	70/50°F		
ELECTRIC W (kWH/100 lbs.)	1495 (7.0)	1395 (5.3)		
WATER gal./24HR (gal./100 lbs.)	154 (30.0)	301 (47.7)		
EXTERIOR DIMENSIONS (WxDxH)	30" x 27-3/8" x 26" (762 x 695 x 660 mm)			
EXTERIOR FINISH	Stainless Steel, Galvanized Steel (Rear)			
WEIGHT	Net 170 lbs. (77 kg), Shipping 191 lbs. (87 kg)			
CONNECTIONS - ELECTRIC	Permanent - Connection			
- WATER SUPPLY	Inlet	1/2" FPT		
- DRAIN	Outlet	3/4" FPT		
CUBE CONTROL SYSTEM	Float Switch			
HARVESTING CONTROL SYSTEM	Hot Gas and Water, Thermistor and Timer			
ICE MAKING WATER CONTROL	Timer Controlled. Overflow Pipe			
COOLING WATER CONTROL	N/A			
BIN CONTROL SYSTEM	Thermostat			
COMPRESSOR	Hermetic, Model CS10K6E-PFV			
CONDENSER	Air-cooled, Fin and tube type			
EVAPORATOR	Vertical type, Stainless Steel and Copper			
REFRIGERANT CONTROL	Thermostatic Expansion Valve			
REFRIGERANT CHARGE	R-404A, 2 lb. 4 oz. (1030 g)			
DESIGN PRESSURE	High 467 PSIG, Low 230 PSIG			
P.C. BOARD CIRCUIT PROTECTION	High Voltage Cut-out (Internal)			
COMPRESSOR PROTECTION	Auto-reset Overload Protector (Internal)			
REFRIGERANT CIRCUIT PROTECTION	Auto-reset High Pressure Control Switch			
LOW WATER PROTECTION	Float Switch			
ACCESSORIES -SUPPLIED	N/A			
-REQUIRED	Ice Storage Bin			
OPERATING CONDITIONS	VOLTAGE RANGE	187 - 253 V		
	AMBIENT TEMP.	45 -100° F		
	WATER SUPPLY TEMP.	45 - 90° F		
	WATER SUPPLY PRESSURE	10 - 113 PSIG		

* We reserve the right to make changes in specifications and design without prior notice.

14. KML-600MWF

AC SUPPLY VOLTAGE	208-230/60/1 (3 wire with neutral for 115V)		
AMPERAGE	6.5 A (5 Min. Freeze AT 104°F / WT 80°F)		
MINIMUM CIRCUIT AMPACITY	15 A		
MAXIMUM FUSE SIZE	15 A		
APPROXIMATE ICE PRODUCTION PER 24 HR.	Ambient Temp.(°F)	WATER TEMP. (°F)	
lbs./day (kg/day)		50	70
Reference without *marks	70	*572 (259)	547 (248)
	80	553 (251)	515 (234)
	90	547 (248)	*488 (221)
	100	535 (243)	486 (221)
SHAPE OF ICE	Crescent Cube		
ICE PRODUCTION PER CYCLE	10 lbs. (4.54 kg) 480 pcs.		
APPROXIMATE STORAGE CAPACITY	N/A		
ELECTRIC & WATER CONSUMPTION	90/70°F	70/50°F	
ELECTRIC W (kWH/100 lbs.)	1390 (6.6)	1382 (5.8)	
POTABLE WATER	174 (35.7)	326 (57.0)	
WATER COOLED CONDENSER	712 (146.0)	412 (72.0)	
gal./24HR (gal./100 lbs.)			
EXTERIOR DIMENSIONS (WxDxH)	30" x 27-3/8" x 26" (762 x 695 x 660 mm)		
EXTERIOR FINISH	Stainless Steel, Galvanized Steel (Rear)		
WEIGHT	Net 170 lbs. (77 kg), Shipping 191 lbs. (87 kg)		
CONNECTIONS - ELECTRIC	Permanent - Connection		
- WATER SUPPLY	Inlet	1/2" FPT	Cond. Inlet 1/2" FPT
- DRAIN	Outlet	3/4" FPT	Cond. Outlet 3/8" FPT
CUBE CONTROL SYSTEM	Float Switch		
HARVESTING CONTROL SYSTEM	Hot Gas and Water, Thermistor and Timer		
ICE MAKING WATER CONTROL	Timer Controlled. Overflow Pipe		
COOLING WATER CONTROL	N/A		
BIN CONTROL SYSTEM	Thermostat		
COMPRESSOR	Hermetic, Model CS10K6E-PFV		
CONDENSER	Water-cooled, Tube in tube type		
EVAPORATOR	Vertical type, Stainless Steel and Copper		
REFRIGERANT CONTROL	Thermostatic Expansion Valve		
REFRIGERANT CHARGE	R-404A, 1 lb. 4.5 oz. (580 g)		
DESIGN PRESSURE	High 427 PSIG, Low 230 PSIG		
P.C. BOARD CIRCUIT PROTECTION	High Voltage Cut-out (Internal)		
COMPRESSOR PROTECTION	Auto-reset Overload Protector (Internal)		
REFRIGERANT CIRCUIT PROTECTION	Auto-reset High Pressure Control Switch		
LOW WATER PROTECTION	Float Switch		
ACCESSORIES -SUPPLIED	N/A		
-REQUIRED	Ice Storage Bin		
OPERATING CONDITIONS	VOLTAGE RANGE	187 - 253 V	
	AMBIENT TEMP.	45 -100° F	
	WATER SUPPLY TEMP.	45 - 90° F	
	WATER SUPPLY PRESSURE	10 - 113 PSIG	

* We reserve the right to make changes in specifications and design without prior notice.

15. KML-600MRF

AC SUPPLY VOLTAGE	208-230/60/1 (3 wire with neutral for 115V)		
AMPERAGE	9.5 A (5 Min. Freeze AT 104°F / WT 80°F)		
MINIMUM CIRCUIT AMPACITY	15 A		
MAXIMUM FUSE SIZE	15 A		
APPROXIMATE ICE PRODUCTION PER 24 HR.	Ambient Temp.(°F)	WATER TEMP. (°F)	
lbs./day (kg/day)		50	70
Reference without *marks	70	*635 (288)	610 (277)
	80	616 (279)	577 (262)
	90	610 (277)	*550 (249)
	100	602 (273)	541 (245)
SHAPE OF ICE	Crescent Cube		
ICE PRODUCTION PER CYCLE	10 lbs. (4.5 kg) 480 pcs.		
APPROXIMATE STORAGE CAPACITY	N/A		
ELECTRIC & WATER CONSUMPTION	90/70°F	70/50°F	
ELECTRIC W (kWH/100 lbs.)	1527 (7.4)	1455 (5.5)	
WATER gal./24HR (gal./100 lbs.)	215 (39.1)	336 (52.9)	
EXTERIOR DIMENSIONS (WxDxH)	30" x 27-3/8" x 26" (762 x 695 x 660 mm)		
EXTERIOR FINISH	Stainless Steel, Galvanized Steel (Rear)		
WEIGHT	Net 170 lbs. (77 kg), Shipping 191 lbs. (87 kg)		
CONNECTIONS - ELECTRIC	Permanent - Connection		
- WATER SUPPLY	Inlet 1/2" FPT		
- DRAIN	Outlet 3/4" FPT		
CUBE CONTROL SYSTEM	Float Switch		
HARVESTING CONTROL SYSTEM	Hot Gas and Water, Thermistor and Timer		
ICE MAKING WATER CONTROL	Timer Controlled. Overflow Pipe		
COOLING WATER CONTROL	N/A		
BIN CONTROL SYSTEM	Thermostat		
COMPRESSOR	Hermetic, Model CS10K6E-PFV		
CONDENSER	Air-cooled Remote, Condenser Unit URC-7F		
EVAPORATOR	Vertical type, Stainless Steel and Copper		
REFRIGERANT CONTROL	Thermostatic Expansion Valve		
	Condensing Pressure Regulator on URC-7F		
REFRIGERANT CHARGE	R-404A, 10 lb. 6 oz. (4700 g)		
	(Icemaker 8 lbs. 1 oz. Cond. 2 lbs. 5 oz.)		
DESIGN PRESSURE	High 467 PSIG, Low 230 PSIG		
P.C. BOARD CIRCUIT PROTECTION	High Voltage Cut-out (Internal)		
COMPRESSOR PROTECTION	Auto-reset Overload Protector (Internal)		
REFRIGERANT CIRCUIT PROTECTION	Auto-reset High Pressure Control Switch		
LOW WATER PROTECTION	Float Switch		
ACCESSORIES -SUPPLIED	N/A		
-REQUIRED	Ice Storage Bin		
OPERATING CONDITIONS	VOLTAGE RANGE	187 - 253 V	
	AMBIENT TEMP.	45 -100° F	
	WATER SUPPLY TEMP.	45 - 90° F	
	WATER SUPPLY PRESSURE	10 - 113 PSIG	

* We reserve the right to make changes in specifications and design without prior notice.

16. KML-600MAH

AC SUPPLY VOLTAGE	208-230/60/1 (3 wire with neutral for 115V)		
AMPERAGE	8.7 A (5 Min. Freeze AT 104°F / WT 80°F)		
MINIMUM CIRCUIT AMPACITY	15 A		
MAXIMUM FUSE SIZE	15 A		
APPROXIMATE ICE PRODUCTION PER 24 HR.	Ambient Temp.(°F)	WATER TEMP. (°F)	
lbs./day (kg/day)		50	70
Reference without *marks	70	*631 (286)	596 (271)
	80	605 (274)	551 (250)
	90	575 (261)	*513 (233)
	100	540 (245)	499 (226)
		90	455 (206)
			401 (182)
SHAPE OF ICE	Crescent Cube		
ICE PRODUCTION PER CYCLE	10 lbs. (4.54 kg) 480 pcs.		
APPROXIMATE STORAGE CAPACITY	N/A		
ELECTRIC & WATER CONSUMPTION	90/70°F	70/50°F	
ELECTRIC W (kWH/100 lbs.)	1495 (7.0)	1395 (5.3)	
WATER gal./24HR (gal./100 lbs.)	154 (30.0)	301 (47.7)	
EXTERIOR DIMENSIONS (WxDxH)	30" x 27-3/8" x 26" (762 x 695 x 660 mm)		
EXTERIOR FINISH	Stainless Steel, Galvanized Steel (Rear)		
WEIGHT	Net 170 lbs. (77 kg), Shipping 191 lbs. (87 kg)		
CONNECTIONS - ELECTRIC	Permanent - Connection		
- WATER SUPPLY	Inlet	1/2" FPT	
- DRAIN	Outlet	3/4" FPT	
CUBE CONTROL SYSTEM	Float Switch		
HARVESTING CONTROL SYSTEM	Hot Gas and Water, Thermistor and Timer		
ICE MAKING WATER CONTROL	Timer Controlled. Overflow Pipe		
COOLING WATER CONTROL	N/A		
BIN CONTROL SYSTEM	Proximity Switch with Delay		
COMPRESSOR	Hermetic, Model CS10K6E-PFV-237		
CONDENSER	Air-cooled, Fin and tube type		
EVAPORATOR	Vertical type, Stainless Steel and Copper		
REFRIGERANT CONTROL	Thermostatic Expansion Valve		
REFRIGERANT CHARGE	R-404A, 2 lb. 4 oz. (1030 g)		
DESIGN PRESSURE	High 467 PSIG, Low 230 PSIG		
P.C. BOARD CIRCUIT PROTECTION	High Voltage Cut-out (Internal)		
COMPRESSOR PROTECTION	Auto-reset Overload Protector (Internal)		
REFRIGERANT CIRCUIT PROTECTION	Auto-reset High Pressure Control Switch		
LOW WATER PROTECTION	Float Switch		
ACCESSORIES -SUPPLIED	N/A		
-REQUIRED	Ice Storage Bin		
OPERATING CONDITIONS	VOLTAGE RANGE	187 - 253 V	
	AMBIENT TEMP.	45 -100° F	
	WATER SUPPLY TEMP.	45 - 90° F	
	WATER SUPPLY PRESSURE	10 - 113 PSIG	

We reserve the right to make changes in specifications and design without prior notice.

17. KML-600MWH (Beginning Serial #L00001D, ending Serial #M10115C)

AC SUPPLY VOLTAGE	208-230/60/1 (3 wire with neutral for 115V)		
AMPERAGE	6.5 A (5 Min. Freeze AT 104°F / WT 80°F)		
MINIMUM CIRCUIT AMPACITY	15 A		
MAXIMUM FUSE SIZE	15 A		
APPROXIMATE ICE PRODUCTION PER 24 HR.	Ambient Temp.(°F)	WATER TEMP. (°F)	
lbs./day (kg/day)		50	70
Reference without *marks	70	*572 (259)	547 (248)
	80	553 (251)	515 (234)
	90	547 (248)	*488 (221)
	100	535 (243)	486 (221)
SHAPE OF ICE	Crescent Cube		
ICE PRODUCTION PER CYCLE	10 lbs. (4.54 kg) 480 pcs.		
APPROXIMATE STORAGE CAPACITY	N/A		
ELECTRIC & WATER CONSUMPTION	90/70°F	70/50°F	
ELECTRIC W (kWH/100 lbs.)	1390 (6.6)	1382 (5.8)	
POTABLE WATER	174 (35.7)	326 (57.0)	
WATER COOLED CONDENSER gal./24HR (gal./100 lbs.)	712 (146.0)	412 (72.0)	
EXTERIOR DIMENSIONS (WxDxH)	30" x 27-3/8" x 26" (762 x 695 x 660 mm)		
EXTERIOR FINISH	Stainless Steel, Galvanized Steel (Rear)		
WEIGHT	Net 170 lbs. (77 kg), Shipping 191 lbs. (87 kg)		
CONNECTIONS - ELECTRIC	Permanent - Connection		
- WATER SUPPLY	Inlet	1/2" FPT	Cond. Inlet 1/2" FPT
- DRAIN	Outlet	3/4" FPT	Cond. Outlet 3/8" FPT
CUBE CONTROL SYSTEM	Float Switch		
HARVESTING CONTROL SYSTEM	Hot Gas and Water, Thermistor and Timer		
ICE MAKING WATER CONTROL	Timer Controlled. Overflow Pipe		
COOLING WATER CONTROL	N/A		
BIN CONTROL SYSTEM	Proximity Switch with Delay		
COMPRESSOR	Hermetic, Model CS10K6E-PFV-237		
CONDENSER	Water-cooled, Tube in tube type		
EVAPORATOR	Vertical type, Stainless Steel and Copper		
REFRIGERANT CONTROL	Thermostatic Expansion Valve		
REFRIGERANT CHARGE	R-404A, 1 lb. 4.5 oz. (580 g)		
DESIGN PRESSURE	High 427 PSIG, Low 230 PSIG		
P.C. BOARD CIRCUIT PROTECTION	High Voltage Cut-out (Internal)		
COMPRESSOR PROTECTION	Auto-reset Overload Protector (Internal)		
REFRIGERANT CIRCUIT PROTECTION	Auto-reset High Pressure Control Switch		
LOW WATER PROTECTION	Float Switch		
ACCESSORIES -SUPPLIED	N/A		
-REQUIRED	Ice Storage Bin		
OPERATING CONDITIONS	VOLTAGE RANGE	187 - 253 V	
	AMBIENT TEMP.	45 -100° F	
	WATER SUPPLY TEMP.	45 - 90° F	
	WATER SUPPLY PRESSURE	10 - 113 PSIG	

We reserve the right to make changes in specifications and design without prior notice.

18. KML-600MWH (Beginning Serial # M10121E)

AC SUPPLY VOLTAGE	208-230/60/1 (3 wire with neutral for 115V)		
AMPERAGE	8 A (5 Min. Freeze AT 104°F / WT 80°F)		
MINIMUM CIRCUIT AMPACITY	20 A		
MAXIMUM FUSE SIZE	20 A		
APPROXIMATE ICE PRODUCTION PER 24 HR.	Ambient Temp.(°F)	WATER TEMP. (°F)	
lbs./day (kg/day)		50	70
Reference without *marks	70	*602 (273)	586 (266)
	80	589 (267)	564 (256)
	90	586 (266)	*546 (248)
	100	535 (243)	539 (245)
			492 (223)
SHAPE OF ICE	Crescent Cube		
ICE PRODUCTION PER CYCLE	10 lbs. (4.54 kg) 480 pcs.		
APPROXIMATE STORAGE CAPACITY	N/A		
ELECTRIC & WATER CONSUMPTION	90/70°F	70/50°F	
ELECTRIC W (kWH/100 lbs.)	1325 (5.6)	1304 (5.2)	
POTABLE WATER	158 (29.0)	258 (42.9)	
WATER COOLED CONDENSER gal./24HR (gal./100 lbs.)	561 (103)	344 (57)	
EXTERIOR DIMENSIONS (WxDxH)	30" x 27-3/8" x 26" (762 x 695 x 660 mm)		
EXTERIOR FINISH	Stainless Steel, Galvanized Steel (Rear)		
WEIGHT	Net 170 lbs. (77 kg), Shipping 191 lbs. (87 kg)		
CONNECTIONS - ELECTRIC	Permanent - Connection		
- WATER SUPPLY	Inlet	1/2" FPT	Cond. Inlet 1/2" FPT
- DRAIN	Outlet	3/4" FPT	Cond. Outlet 3/8" FPT
CUBE CONTROL SYSTEM	Float Switch		
HARVESTING CONTROL SYSTEM	Hot Gas and Water, Thermistor and Timer		
ICE MAKING WATER CONTROL	Timer Controlled. Overflow Pipe		
COOLING WATER CONTROL	N/A		
BIN CONTROL SYSTEM	Proximity Switch with Delay		
COMPRESSOR	Hermetic, Model CS10K6E-PFV-237		
CONDENSER	Water-cooled, Tube in tube type		
EVAPORATOR	Vertical type, Stainless Steel and Copper		
REFRIGERANT CONTROL	Thermostatic Expansion Valve		
REFRIGERANT CHARGE	R-404A, 1 lb. 8.7 oz. (700 g)		
DESIGN PRESSURE	High 427 PSIG, Low 230 PSIG		
P.C. BOARD CIRCUIT PROTECTION	High Voltage Cut-out (Internal)		
COMPRESSOR PROTECTION	Auto-reset Overload Protector (Internal)		
REFRIGERANT CIRCUIT PROTECTION	Auto-reset High Pressure Control Switch		
LOW WATER PROTECTION	Float Switch		
ACCESSORIES -SUPPLIED	N/A		
-REQUIRED	Ice Storage Bin		
OPERATING CONDITIONS	VOLTAGE RANGE	187 - 253 V	
	AMBIENT TEMP.	45 -100° F	
	WATER SUPPLY TEMP.	45 - 90° F	
	WATER SUPPLY PRESSURE	10 - 113 PSIG	

We reserve the right to make changes in specifications and design without prior notice.

19. KML-600MRH

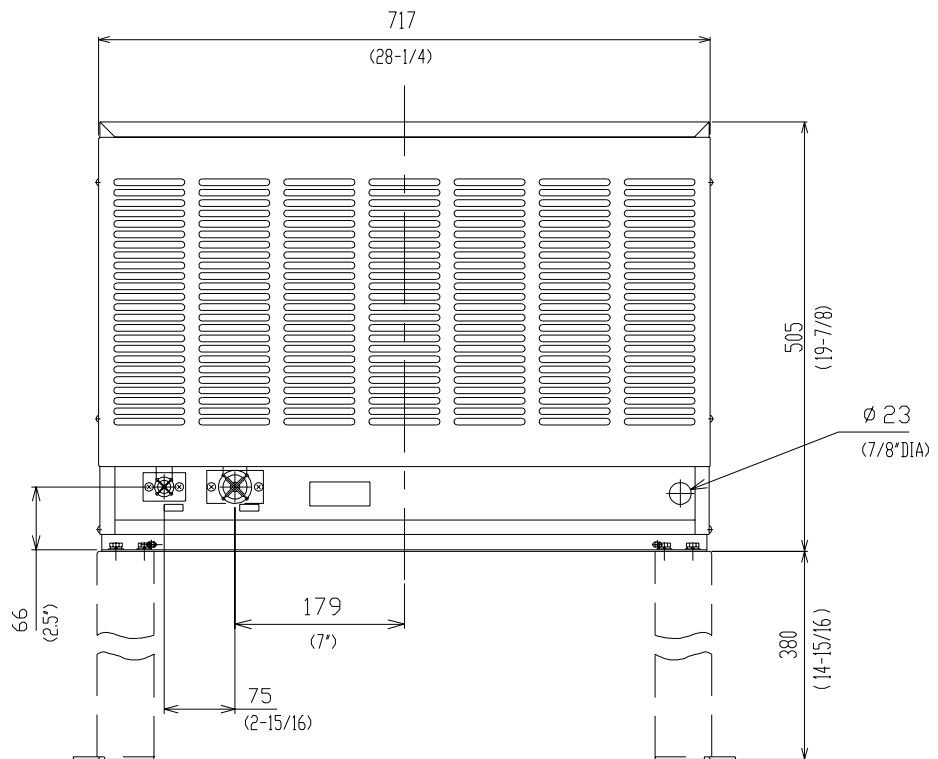
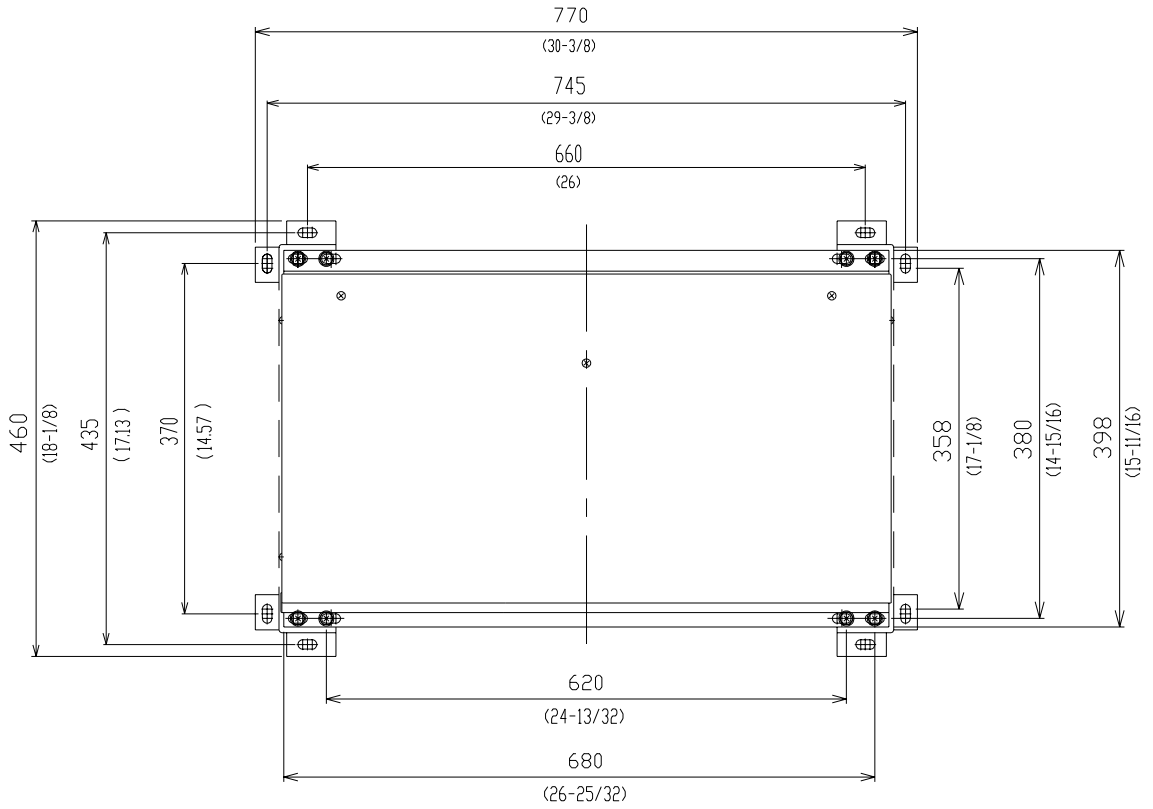
AC SUPPLY VOLTAGE	208-230/60/1 (3 wire with neutral for 115V)			
AMPERAGE	9.5 A (5 Min. Freeze AT 104°F / WT 80°F)			
MINIMUM CIRCUIT AMPACITY	15 A			
MAXIMUM FUSE SIZE	15 A			
APPROXIMATE ICE PRODUCTION PER 24 HR. lbs./day (kg/day) Reference without *marks	Ambient Temp.(°F)	WATER TEMP. (°F)		
		50	70	90
	70	*635 (288)	610 (277)	574 (260)
	80	616 (279)	577 (262)	540 (245)
	90	610 (277)	*550 (249)	512 (232)
	100	602 (273)	541 (245)	478 (217)
SHAPE OF ICE	Crescent Cube			
ICE PRODUCTION PER CYCLE	10 lbs. (4.5 kg) 480 pcs.			
APPROXIMATE STORAGE CAPACITY	N/A			
ELECTRIC & WATER CONSUMPTION	90/70°F	70/50°F		
ELECTRIC W (kWH/100 lbs.)	1527 (7.4)	1455 (5.5)		
WATER gal./24HR (gal./100 lbs.)	215 (39.1)	336 (52.9)		
EXTERIOR DIMENSIONS (WxDxH)	30" x 27-3/8" x 26" (762 x 695 x 660 mm)			
EXTERIOR FINISH	Stainless Steel, Galvanized Steel (Rear)			
WEIGHT	Net 170 lbs. (77 kg), Shipping 191 lbs. (87 kg)			
CONNECTIONS - ELECTRIC	Permanent - Connection			
- WATER SUPPLY	Inlet 1/2" FPT			
- DRAIN	Outlet 3/4" FPT			
CUBE CONTROL SYSTEM	Float Switch			
HARVESTING CONTROL SYSTEM	Hot Gas and Water, Thermistor and Timer			
ICE MAKING WATER CONTROL	Timer Controlled. Overflow Pipe			
COOLING WATER CONTROL	N/A			
BIN CONTROL SYSTEM	Proximity Switch with Delay			
COMPRESSOR	Hermetic, Model CS10K6E-PFV-279			
CONDENSER	Air-cooled Remote, Condenser Unit URC-7F			
EVAPORATOR	Vertical type, Stainless Steel and Copper			
REFRIGERANT CONTROL	Thermostatic Expansion Valve			
REFRIGERANT CHARGE	Condensing Pressure Regulator on URC-7F R-404A, 10 lb. 6 oz. (4700 g) (Icemaker 8 lbs. 1 oz. Cond. 2 lbs. 5 oz.)			
DESIGN PRESSURE	High 467 PSIG, Low 230 PSIG			
P.C. BOARD CIRCUIT PROTECTION	High Voltage Cut-out (Internal)			
COMPRESSOR PROTECTION	Auto-reset Overload Protector (Internal)			
REFRIGERANT CIRCUIT PROTECTION	Auto-reset High Pressure Control Switch			
LOW WATER PROTECTION	Float Switch			
ACCESSORIES -SUPPLIED	N/A			
-REQUIRED	Ice Storage Bin			
OPERATING CONDITIONS	VOLTAGE RANGE	187 - 253 V		
	AMBIENT TEMP.	45 -100° F		
	WATER SUPPLY TEMP.	45 - 90° F		
	WATER SUPPLY PRESSURE	10 - 113 PSIG		

We reserve the right to make changes in specifications and design without prior notice.

20. CONDENSER UNIT

URC-7F

Unit: mm. (inches)



SPECIFICATIONS

URC-7F

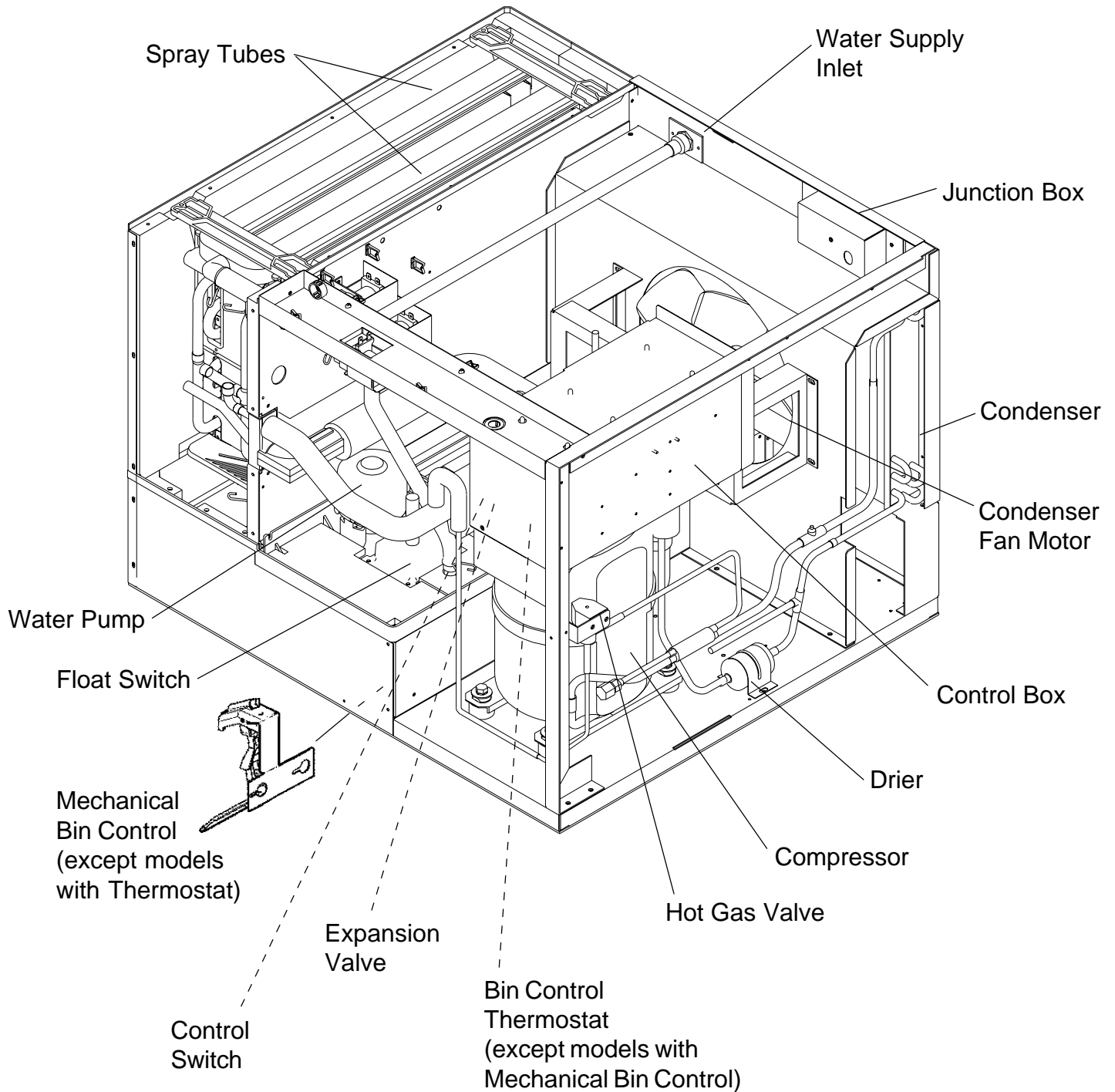
AC SUPPLY VOLTAGE	115/60/1 (Connection to Icemaker)		
FAN MOTOR	115 V	Total 1.3FLA	65W
EXTERIOR DIMENSIONS (WxDxH)	28-1/4" x 15-11/16" x 19-7/8" (717 x 398 x 505 mm)		
DIMENSIONS INCLUDING LEGS (WxDxH)	30-3/8" x 18-1/8" x 34-13/16" (770 x 460 x 885 mm)		
EXTERIOR FINISH	Galvanized Steel		
WEIGHT	Net 70 lbs. (32 kg)	Shipping 77 lbs. (35 kg)	
CONNECTIONS - ELECTRIC	Permanent - Connection		
- REFRIGERANT	Discharge Line 1-1/16"-12 UNF Fitting (#10 AEROQUIP)		
	Liquid Line	5/8"-18 UNF Fitting (#6 AEROQUIP)	
CONDENSER	Air-cooled, Fin and tube type		
FAN MOTOR PROTECTION	Thermal Protection		
REFRIGERANT CONTROL	Condensing Pressure Regulator		
REFRIGERANT CHARGE	R-404A	2 lb. 5oz.	(1050g)
DESIGN PRESSURE	High 467 PSIG		
OPERATING CONDITIONS	VOLTAGE RANGE	104 ~ 127 V	
	AMBIENT TEMP.	-22 ~ 122 °F	
ACCESSORIES -SUPPLIED	Leg		2 pcs
	Hex. Head Bolt w/Washer 8 x 16		8 pcs
	Hex. Nut	8	8 pcs
DRAWING NO. (DIMENSION)	2A1615		

* We reserve the right to make changes in specifications and design without prior notice.

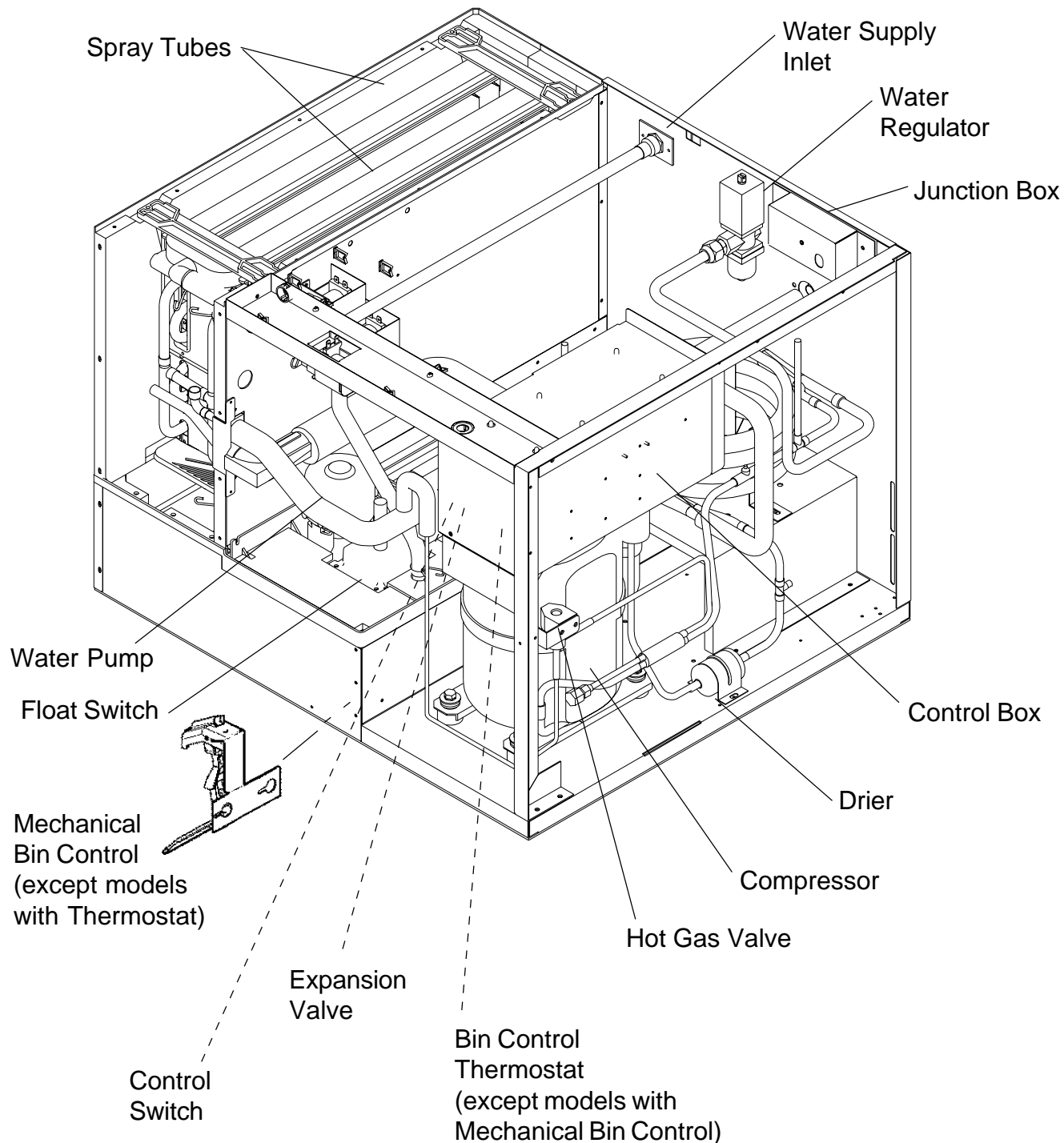
II. GENERAL INFORMATION

1. CONSTRUCTION

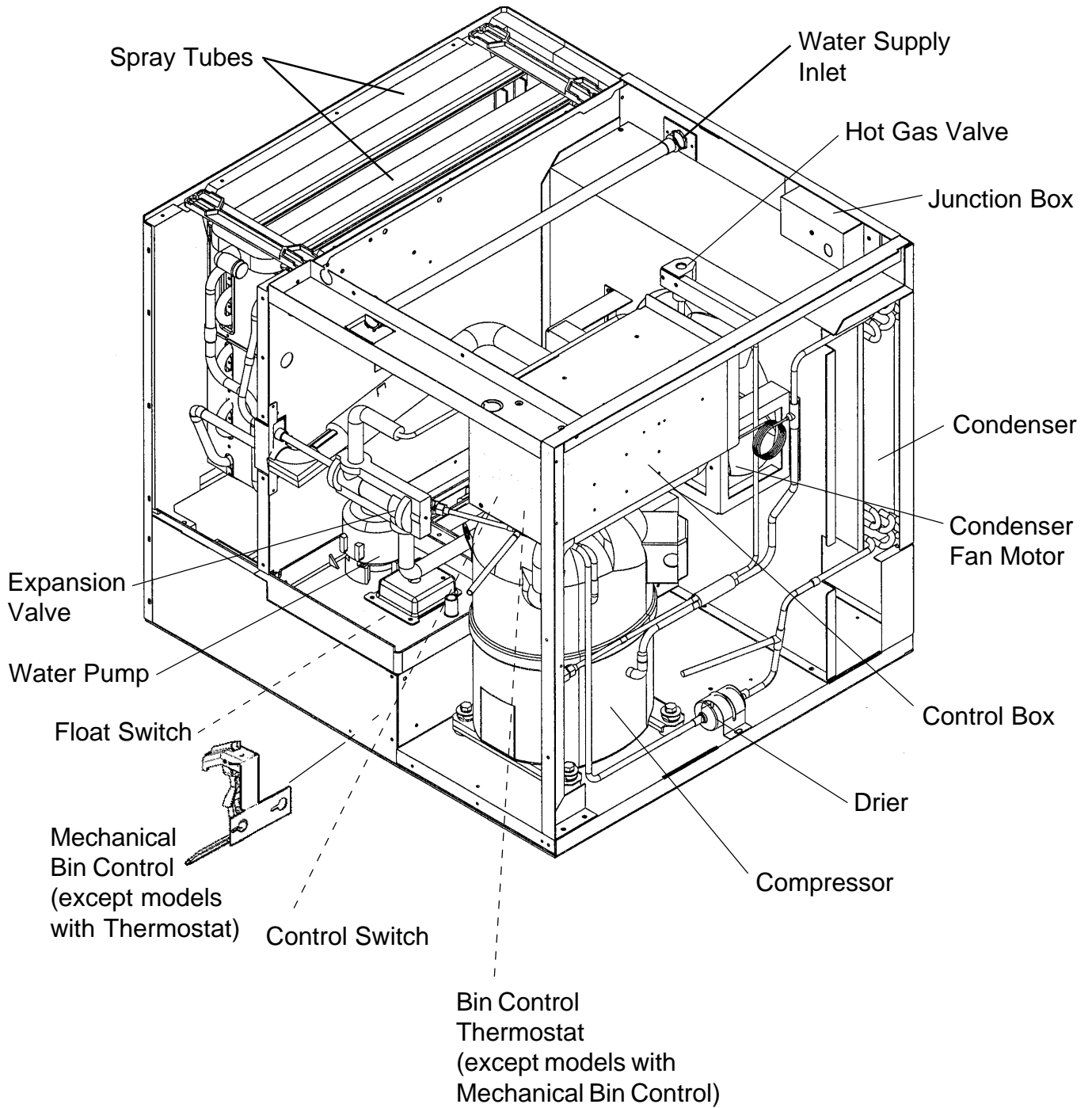
[a] KML-250MAH, KML-350MAF, KML-350MAH, KML-450MAF, KML-450MAH



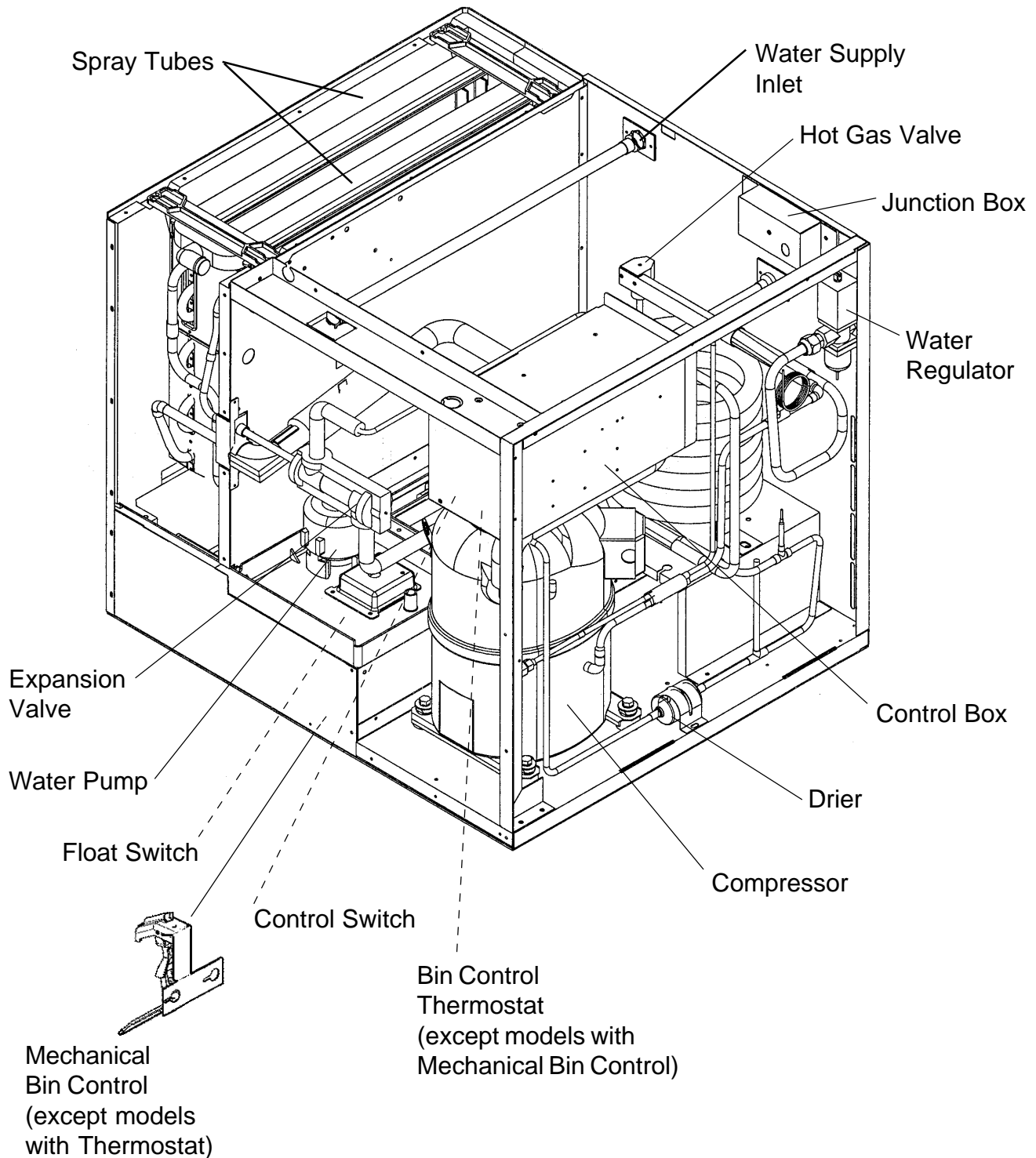
[b] KML-250MWH, KML-350MWF, KML-350MWH, KML-450MWF, KML-450MWH



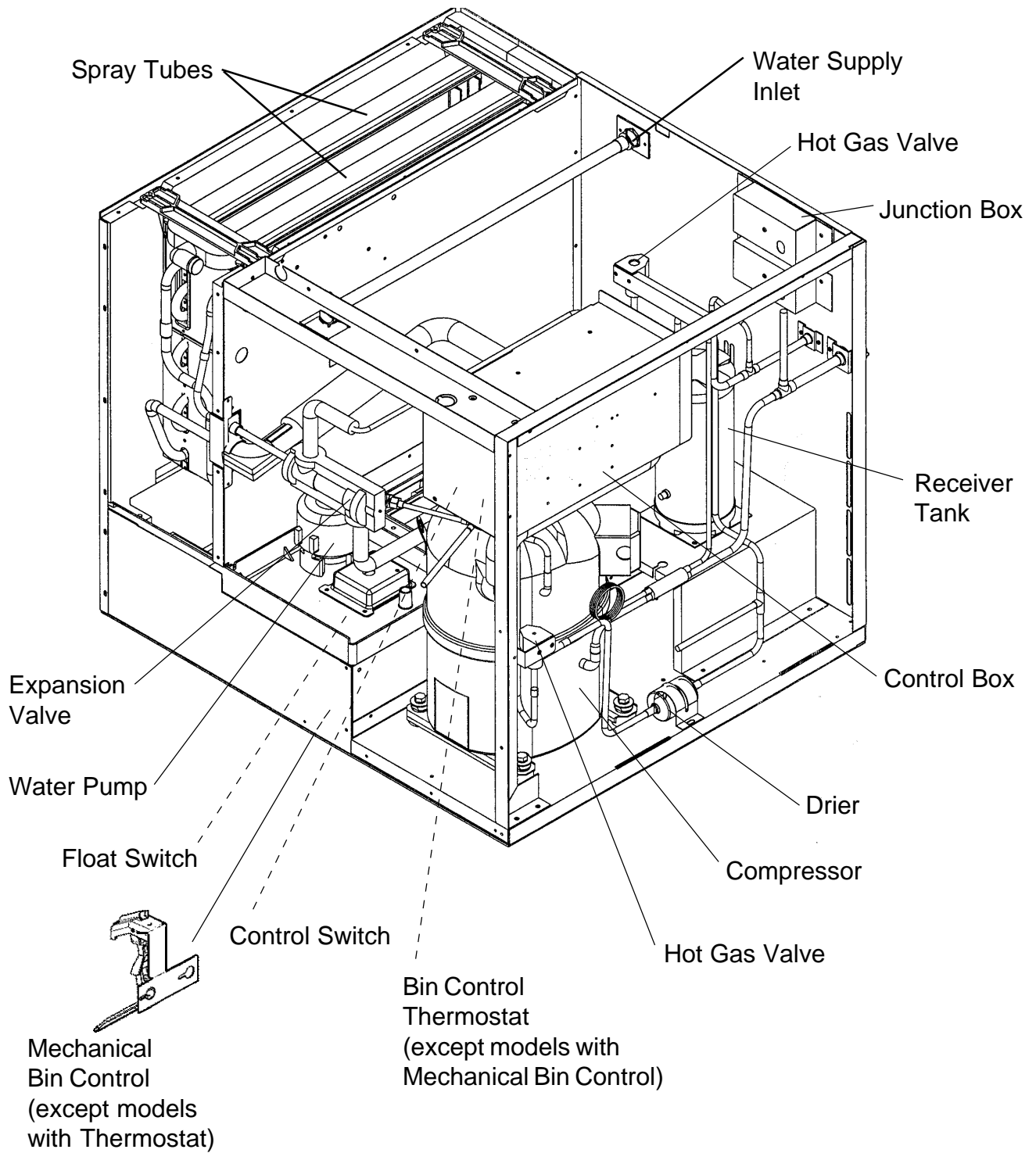
[c] KML-600MAF, KML-600MAH



[d] KML-600MWF, KML-600MWH



[e] KML-600MRF, KML-600MRH



2. CONTROLLER BOARD

[a] SOLID-STATE CONTROL

- 1) A HOSHIZAKI exclusive solid-state control is employed in Modular Crescent Cubers.
- 2) A Printed Circuit Board (hereafter called "Controller Board") includes a stable and high quality control system.
- 3) All models are pretested and factory-adjusted.

[b] CONTROLLER BOARD

CAUTION

1. Fragile, handle very carefully.
2. A controller board contains integrated circuits, which are susceptible to failure due to static discharge. It is especially important to touch the metal part of the unit when handling or replacing the board.
3. Do not touch the electronic devices on the board or the back of the board to prevent damage to the board.
4. Do not change wiring and connections. Do not misconnect K3, K4 and K5, because the same connector is used for the Thermistor (white), Float Switch (black), and Mechanical Bin Control (red).

(For machines with thermostat, there is no connection on K4.)

5. Always replace the whole board assembly when it goes bad.
6. Do not short out power supply to test for voltage.

PARTNUMBER

TYPE

2A1410-01

HOS-001A (Control Products)

Features of Control Products "E" Controller Board

- 1) Maximum Water Supply Period - 6 minutes

Water Solenoid Valve opening, in the Defrost (Harvest) Cycle, is limited by the defrost timer. The Water Valve cannot remain open longer than the maximum period. The Water Valve can close in less than six minutes if the defrost cycle is completed.

2) Defrost Timer

The defrost cycle starts when the Float Switch opens and completes the freeze cycle. But the Defrost Timer does not start counting until the Thermistor senses 48°F at the Evaporator outlet. The period from the end of the freeze cycle up to the point of the Thermistor's sensing varies depending on the ambient and water temperatures.

3) High Temperature Safety - $127 \pm 7^\circ\text{F}$

The temperature of the suction line in the refrigerant circuit is limited by the High Temperature Safety.

During the defrost cycle the Evaporator temperature rises. The Thermistor senses 48°F and starts the Defrost Timer. After the Defrost Timer counts down to zero, the normal freeze cycle begins. If the Evaporator temperature continues to rise, the Thermistor will sense the rise in temperature and at $127 \pm 7^\circ\text{F}$ the Thermistor operates the High Temperature Safety.

This High Temperature Safety shuts down the circuit and the icemaker automatically stops. To reset the safety, turn the power off and back on again.

This High Temperature Safety protects the unit from excessive temperature. The Control Board will Beep every 3 seconds. The white Reset Button on the Control Board must be pressed with power on to reset the Safety.

4) Low Water Safety

If the Pump Motor is operated without water, the mechanical seal can fail. To prevent this type of failure, the Controller Board checks the position of the Float Switch at the end of the initial one minute water fill cycle and at the end of each defrost cycle.

If the Float Switch is in the up position (electrical circuit closed), the Controller Board changes to the ice making cycle. If the Float Switch is in the down position (electrical circuit open), the Controller Board changes to a one minute water fill cycle before starting the ice making cycle. This method allows for a Low Water Safety shut down to protect the Water Pump from mechanical seal failure.

For water-cooled model, if the water is shut off, the unit is protected by the High Pressure Switch.

5) High Voltage Cutout

The maximum allowable supply voltage of this icemaker is limited by the High Voltage Cutout. If miswiring (especially on single phase 3 wire models) causes excessive voltage on the Controller Board, the High Voltage Cutout shuts down the circuit in 3 seconds and the icemaker automatically stops. When the proper supply voltage is resumed, the icemaker automatically starts running again. The Control Board will signal this problem using 7 Beeps every 3 seconds.

6) LED Lights and Audible Alarm Safeties

The red LED indicates proper control voltage and will remain on unless a control voltage problem occurs. At startup a 5 second delay occurs while the board conducts an internal timer check. A short beep occurs when the power switch is turned ON or OFF.

The green LED's 1-4 represent the corresponding relays and energize and sequence 5 seconds from initial start-up as follows:

Sequence Step	LED's on Length:	Min.	Max.	Avg.
1 Minute Fill Cycle	LED4			60 sec.
Harvest Cycle	LED1, 4, & 2	2 min.	20 min.	3-5 min.
Freeze Cycle	LED1	5 min.	60 min.	30-35 min.
Reverse Pump Out	LED1, 3, & 2	10 sec.	20 sec.	Factory set.

{LED 1 – Comp; LED 2 - HGV/CFM; LED 3 – PM; LED 4 - WV}

The built in safeties shut down the unit and have alarms as follows:

1 beep every 3 sec. = **High Evaporator Temperature** >127 ° F.

Check for defrost problem (stuck HGV or relay), hot water entering unit, stuck headmaster, or shorted thermistor.

2 beeps every 3 sec. = **Defrost Back Up Timer**. Defrost >20 minutes.

Orange LED marked 20 MIN energizes.

Check for open thermistor, HGV not opening, TXV leaking by, low charge, or inefficient compressor.

3 beeps every 3 sec. = **Freeze Back Up Timer**. Freeze > 60 minutes.

Yellow LED marked 60 MIN energizes.

Check for F/S stuck closed (up), WV leaking by, HGV leaking by, TXV not feeding properly, low charge, or inefficient compressor.

Machines with mechanical bin control ONLY	4 beeps every 3 sec. = Short Circuit between the K4 connection on the control board and the bin control relay. Check connections and replace wire harness if necessary.
	5 beeps every 3 sec. = Open Circuit between the K4 connection on the control board and the bin control relay. Check connections and replace wire harness if necessary.

To manually reset the above safeties, depress white alarm reset button with the power supply ON.

6 beeps every 3 sec. = **Low Voltage**. Voltage is 92 Vac or less.

7 beeps every 3 sec. = **High Voltage**. Control voltage > 147 Vac ±5%.

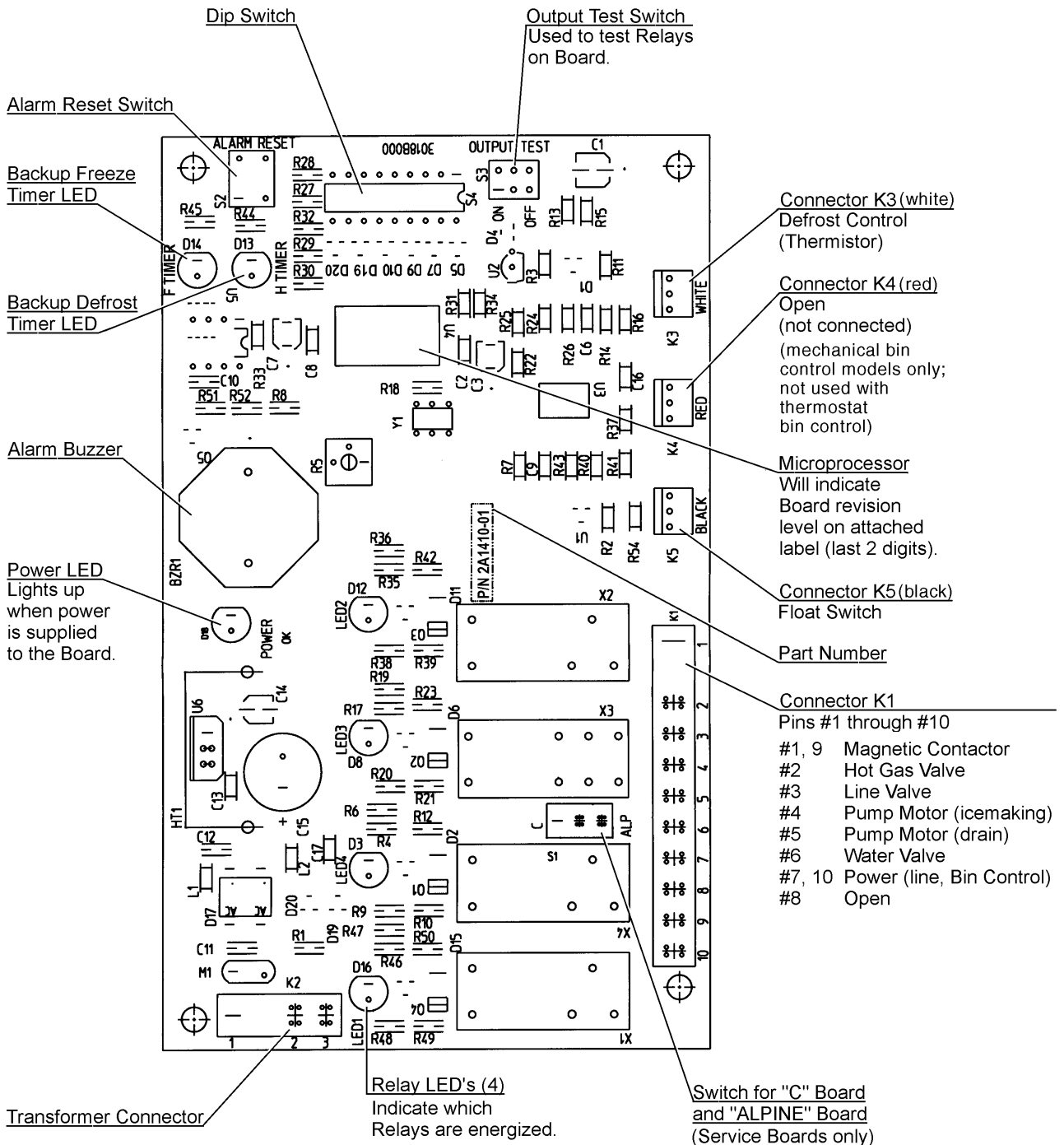
The red LED will de-energize if voltage protection operates.

The voltage safety automatically resets when voltage is corrected.

The **Output Test** switch "S3" provides a relay sequence test. With power OFF, place S3 ON and switch power to ICE. The correct lighting sequence should be none, 2, 3, 4, 1, & 4, normal sequence every 5 seconds. S3 should remain in the "OFF" position for normal operation.

The application switch located between relay X3 & X4 must be set to match the original board application. Place this switch in the ALP position if there is no white wire supplied to the K1 connector. If there is a white wire, place the switch in the C position. If this switch is placed in the wrong position, either the compressor contactor will remain energized with the control switch OFF, or the unit will not start.

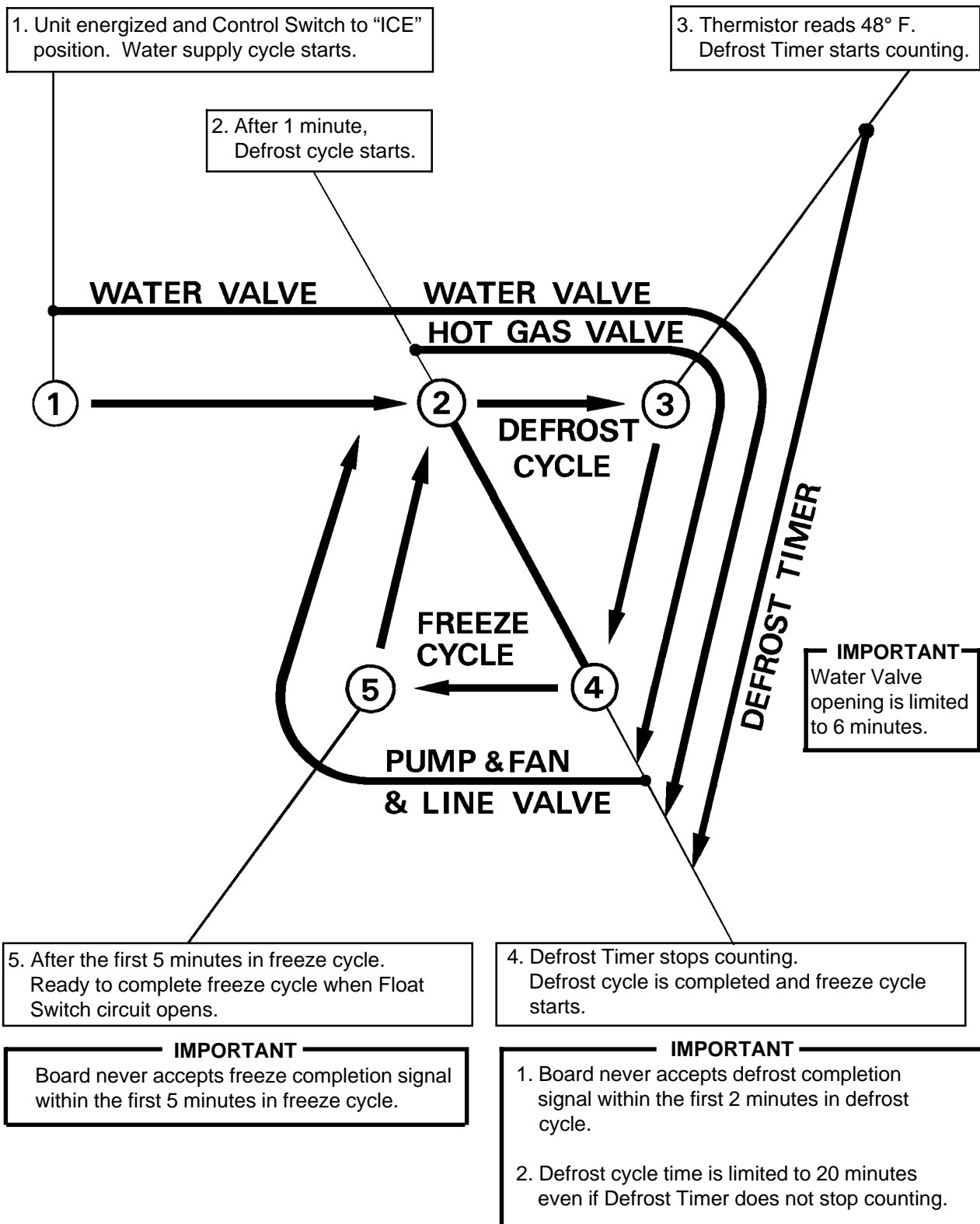
The dip switches should be adjusted per the adjustment chart published in the Tech Specs book. Number 8 must remain in the OFF position.



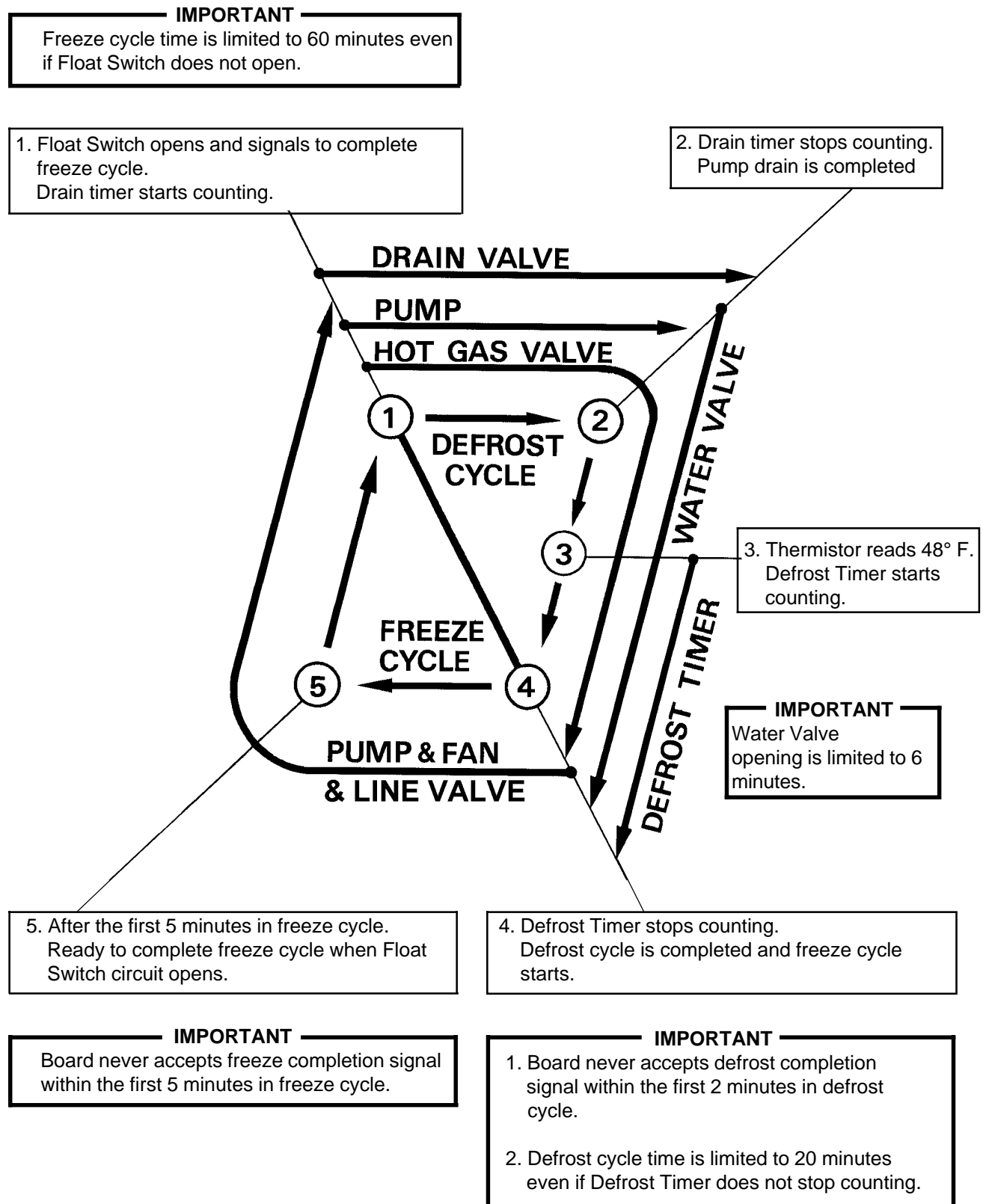
(Control Products HOS-001A Board)

[c] SEQUENCE

1st Cycle



2nd Cycle and after with pump drain



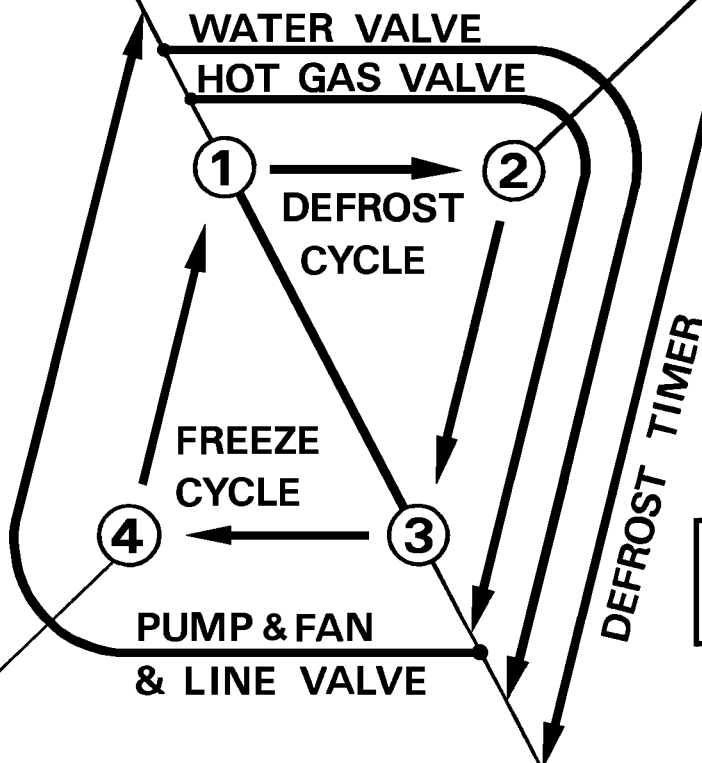
2nd Cycle and after with no pump drain

IMPORTANT

Freeze cycle time is limited to 60 minutes even if Float Switch does not open.

1. Float Switch opens and signals to complete freeze cycle.

2. Thermistor reads 48° F. Defrost Timer starts counting.



IMPORTANT
Water Valve opening is limited to 6 minutes.

4. After the first 5 minutes in freeze cycle. Ready to complete freeze cycle when Float Switch circuit opens.

3. Defrost Timer stops counting. Defrost cycle is completed and freeze cycle starts.

IMPORTANT

Board never accepts freeze completion signal within the first 5 minutes in freeze cycle.

IMPORTANT

1. Board never accepts defrost completion signal within the first 2 minutes in defrost cycle.
2. Defrost cycle time is limited to 20 minutes even if Defrost Timer does not stop counting.

[d] CONTROLS AND ADJUSTMENTS

The Dip Switch is factory-adjusted to the following positions:

FOR MODELS WITH THERMOSTAT:

DIP SWITCH NO.	1	2	3	4	5	6	7	8	9	10
KML-250 MAH	OFF	OFF	OFF	ON	ON	ON	OFF	OFF	ON	OFF
KML-250 MWH	OFF	OFF	OFF	ON	ON	ON	OFF	OFF	OFF	ON
350M_F, 350M_H	OFF	OFF	OFF	ON	ON	ON	OFF	OFF	OFF	ON
KML-450M_F, M_H KML-600MAF, MAH										
KML-600MWF, MWH	OFF	OFF	OFF	OFF	ON	ON	OFF	OFF	OFF	ON
KML-600MRF, MRH	ON	OFF	OFF	OFF	ON	ON	OFF	OFF	OFF	ON

FOR MODELS WITH MECHANICAL BIN CONTROL:

DIP SWITCH NO.	1	2	3	4	5	6	7	8	9	10
KML-250 MAH	OFF	OFF	OFF	ON	ON	ON	ON	OFF	ON	OFF
KML-250 MWH	OFF	OFF	OFF	ON	ON	ON	ON	OFF	OFF	ON
350M_F, 350M_H	OFF	OFF	OFF	ON	ON	ON	ON	OFF	OFF	ON
KML-450M_F, M_H KML-600MAF, MAH										
KML-600MWF, MWH	OFF	OFF	OFF	OFF	ON	ON	ON	OFF	OFF	ON
KML-600MRF, MRH	ON	OFF	OFF	OFF	ON	ON	ON	OFF	OFF	ON

Switch Nos. 1 and 2:

Used for adjustment of the Defrost Timer.

The Defrost Timer starts counting when the Thermistor reads a certain temperature at the Evaporator outlet.

Switch Nos. 3 and 4:

Used for adjustment of the Drain Timer.

When a freeze cycle is completed, the Pump Motor stops, and the icemaker resumes operation in 2 seconds. Then the Pump Motor drains the Water Tank for the time determined by the Drain Timer. The Drain Timer also determines the time to restrain completion of a defrost cycle, i.e. the minimum defrost time.

Switch Nos. 5 and 6:

Used for adjustment of the Drain Counter.

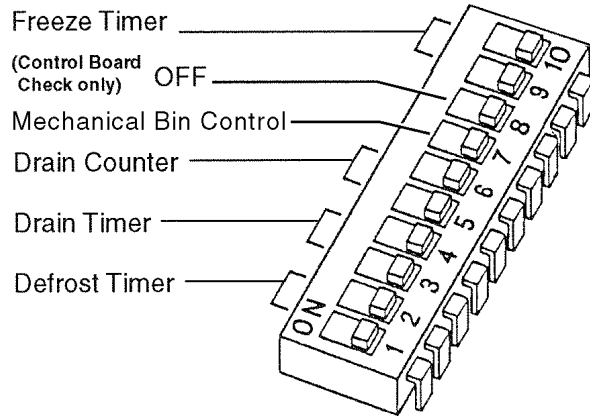
The Pump Motor drains the Water Tank at the frequency determined by the Drain Counter.

Switch No. 7:

Used only on models with mechanical bin control. Dip Switch should be set "ON".
(Models with bin thermostat, Switch No. 7 should be set in the "OFF" position.)

Switch No. 8:

Used only for checking the Controller Board. Usually set in OFF position.



Switch Nos. 9 and 10:

Used for adjustment of Freeze Timer. The Freeze Timer determines maximum freeze cycle time. Upon termination of Freeze Timer, machine initiates the harvest cycle. After 2 consecutive timer terminations, machine will shut down, possibly indicating a problem.

1) Defrost Control

A thermistor (Semiconductor) is used for a defrost control sensor. The resistance varies depending on the Suction Line temperatures. The Thermistor detects the temperature of the Evaporator outlet to start the Defrost Timer. No adjustment is required. If necessary, check for resistance between Thermistor leads, and visually check the Thermistor mounting, located on the Suction Line next to the Evaporator outlet.

Temperature (°F)	Resistance (kΩ)
0	14.401
10	10.613
32	6.000
50	3.871
70	2.474
90	1.633

Check a thermistor for resistance by using the following procedures.

- (i) Disconnect the connector K3 on the board.
- (ii) Remove the Thermistor. See "V. 11. REMOVAL AND REPLACEMENT OF THERMISTOR."
- (iii) Immerse the Thermistor sensor portion in a glass containing ice and water for 2 or 3 minutes.
- (iv) Check for a resistance between Thermistor leads.
Normal reading is within 3.5 to 7 kΩ. Replace the Thermistor if it exceeds the normal reading.

2) Defrost Timer

No adjustment is required under normal use, as the Defrost Timer is adjusted to the suitable position. However, if necessary when all the ice formed on the Evaporator does not fall into the bin in the harvest cycle, adjust the Defrost Timer to longer setting by adjusting the Dip Switch (No. 1 & 2) on the Controller Board.

SETTING		TIME
Dip Switch No. 1	Dip Switch No. 2	
OFF	OFF	60 seconds
ON	OFF	90 seconds
OFF	ON	120 seconds
ON	ON	180 seconds

3) Drain Timer

The Drain Timer is factory-adjusted, and no adjustment is required.

SETTING		TIME	
Dip Switch No. 3	Dip Switch No. 4	T1	T2
OFF	OFF	10 seconds	150 seconds
ON	OFF	10 seconds	180 seconds
OFF	ON	10 seconds	120 seconds
ON	ON	20 seconds	180 seconds

T1: Time to drain the Water Tank

T2: Time to restrain defrost completion

4) Drain Counter

CAUTION

Do not adjust the Drain Counter, or the Evaporator may freeze up.

The Drain Counter is factory-adjusted to drain the Water Tank every 10 cycles, and no adjustment is required. However, where water quality is bad and the icemaker needs a pump drain more often, the Drain Counter can be adjusted as shown in the table below:

SETTING		FREQUENCY
Dip Switch No. 5	Dip Switch No. 6	
OFF	OFF	every cycle
ON	OFF	every 2 cycles
OFF	ON	every 5 cycles
ON	ON	every 10 cycles

5) Freeze Timer

CAUTION

Adjust to proper specification, or the unit may not operate correctly.

Two new dip switches numbered 9 and 10 have been added to the improved "E" board to better prevent possible freeze ups. These settings come factory set to the default setting of 60 min. (OFF, OFF). Check the adjustment chart published in the Tech Specs for proper settings. If the old board does not have these two dip switches, (only 8 instead of 10), leave setting as OFF, OFF.

SETTING		TIME
Dip Switch No. 9	Dip Switch No. 10	
OFF	OFF	60 min.
ON	OFF	70 min.
OFF	ON	50 min.
ON	ON	60 min.

6) Bin Control

MODELS WITH THERMOSTAT

CAUTION

When the ambient temperature is below 45°F, the Bin Control Thermostat operates to stop the icemaker even if the Ice Storage Bin is empty. When the Thermostat is set in the prohibited range, the icemaker operates continuously even if the Ice Storage Bin is filled with ice. Setting in the prohibited range might cause severe damage to the icemaker resulting in failure.

No adjustment is required under normal use, as the Bin Control is factory-adjusted. Adjust it, if necessary, so that the icemaker stops automatically within 10 seconds after ice contacts the Bin Control Thermostat Bulb.

MODELS WITH MECHANICAL BIN CONTROL

CAUTION

Dip Switch No. 7 must be set to the ON position. If No. 7 is set to the OFF position, the machine will run continuously, causing a freeze-up condition.

No adjustment is required. The Bin Control is factory-adjusted.

[e] CHECKING THE CONTROLLER BOARD

- 1) Visually check the sequence with the icemaker operating.
- 2) Visually check the Controller Board by using the following procedures.
 - (i) Adjust the Defrost Timer to minimum position.
Disconnect the Thermistor from the Controller Board.
Connect a 1.5 k Ω - 3.5 k Ω resistor to the Connector K3 (pins #1 and #2), and energize the unit.
After the 1 minute \pm 5 second water supply cycle and the 2 minute \pm 10 second defrost cycle, the unit should start the freeze cycle.
 - (ii) After the above step (i), disconnect the Float Switch leads from the Controller Board within the first 5 minutes of the freeze cycle.

The unit should go into the defrost cycle after the first 5 minutes \pm 20 seconds of the freeze cycle.

- (iii) Reconnect the Float Switch Connector to the Controller Board. After the first 5 minutes of the freeze cycle, disconnect the Float Switch leads from the Controller Board.

At this point, the unit should start the defrost cycle.

- (iv) After Step (iii), de-energize the unit and confirm that the Defrost Timer is in the minimum position. Disconnect the resistor from the Controller Board, and energize the unit.
After the 1 minute water supply cycle, the defrost cycle starts.
Reconnect a 1.5 k Ω - 3.5 k Ω resistor to the Connector K3 (pins #1 and #2) after the first 2 minutes of the defrost cycle.

The unit should start the freeze cycle after 1 minute \pm 5 seconds from the resistor connection.

3) Check the Controller Board by using test program of the Controller Board.

The Output Test Switch “S3” provides a relay sequence test. With power OFF, place S3 on and switch power to ICE. The correct lighting sequence should be none, 2, 3, 4, 1, and 4, normal sequence every 5 seconds. S3 should remain in the “OFF” position for normal operation.

3. SWITCHES

Two control switches are used to control operation in the KML Series Modular Crescent Cubers. These switches are referred to as the “Control Switch” and the “Service Switch.”

[a] CONTROL SWITCH

The Control Switch is located on the lower left section of the control box when facing the front of the machine. This switch is used to place the machine into one of three modes: “Power Off” (Center position), “Ice Making” (Right position), and “Service” (Left position).

[b] SERVICE SWITCH

When the Control Switch is pushed to the left, the machine is placed in “Service” mode. In this position the Control Switch supplies power to the Service Switch. The Service Switch can be used to perform three functions: Drain the tank (left position), Circulate water (center position), Wash the ice making compartment (right position). When the Service Switch is activated power is supplied to the pump in all three positions.

1) Drain

The KML series utilizes a pump-out drain system. When the Service Switch is active and placed in the left position, power is supplied to the pump and the Drain solenoid valve.

2) Wash

The KML series utilizes a solenoid operated cleaning valve. When the Service Switch is active and placed in the right position, power is supplied to the pump and the Bypass solenoid valve. This cleans both the inside and outside of the evaporator plate assembly.

3) Circulate

When the Service switch is active and placed in the center position, power is supplied to the pump only. This operation can be used to circulate cleaner for extended periods of time over the outside surface of the Evaporator.

4. MECHANICAL BIN CONTROL

(THESE INSTRUCTIONS NOT APPLICABLE TO MODELS WITH THERMOSTAT)

[a] PROXIMITY SWITCH

- 1) This machine uses a lever-actuated proximity switch (hereafter called “mechanical bin control”) to control the ice level in the storage bin.

[b] EXPLANATION OF OPERATION

- 1) The startup and shutdown of the ice machine is controlled via the controller board. Dip Switch number seven must be in the ON position for the controller board to receive input from the bin control.
 - (i) The controller board receives a resistance value input via the red K4 connector from the bin control. A resistor wire harness is connected from the bin control to the controller board.
 - (ii) When the bin control is activated in the bin full position (pushed to the right), a 15.8 K Ω signal will be sent to the control board to shut down the unit.
 - (iii) When the bin control is in the normal position (bin is not full), a 7.9 K Ω reading is sent to the control board to continue operation.
- 2) During operation, the controller board will only shut down the machine if a 15.8 K Ω signal is received from the bin control during the first 5 minutes of the freeze cycle.
 - (i) If ice pushes the lever to the right after the first five minutes of the freeze cycle, the controller board will allow the machine to complete the freeze cycle and the following harvest cycle before shutting down the machine. This will prevent incomplete batches of ice from forming on the evaporator.
 - (ii) If the sensor detects ice within ½ inch of the face and energizes the bin control relay during the harvest cycle, the controller board will allow the machine to complete the harvest cycle before shutting down the machine. This will ensure that all ice has been removed from the evaporator before shutting the machine down.

[c] TROUBLESHOOTING (MECHANICAL BIN CONTROL ONLY)

1) Machine will not start

- (i) Move dip switch No. 7 to the "OFF" position. If the machine starts up within a few seconds, the bin control is the likely problem. If the machine does not start up, refer to Section "IV. Service Diagnosis" to verify that non-bin control related issues are resolved.
- (ii) Check to make sure shipping tape has been removed and the wires are connected properly.
- (iii) Check to make sure no obstruction prevents the lever from moving to the bin empty position.

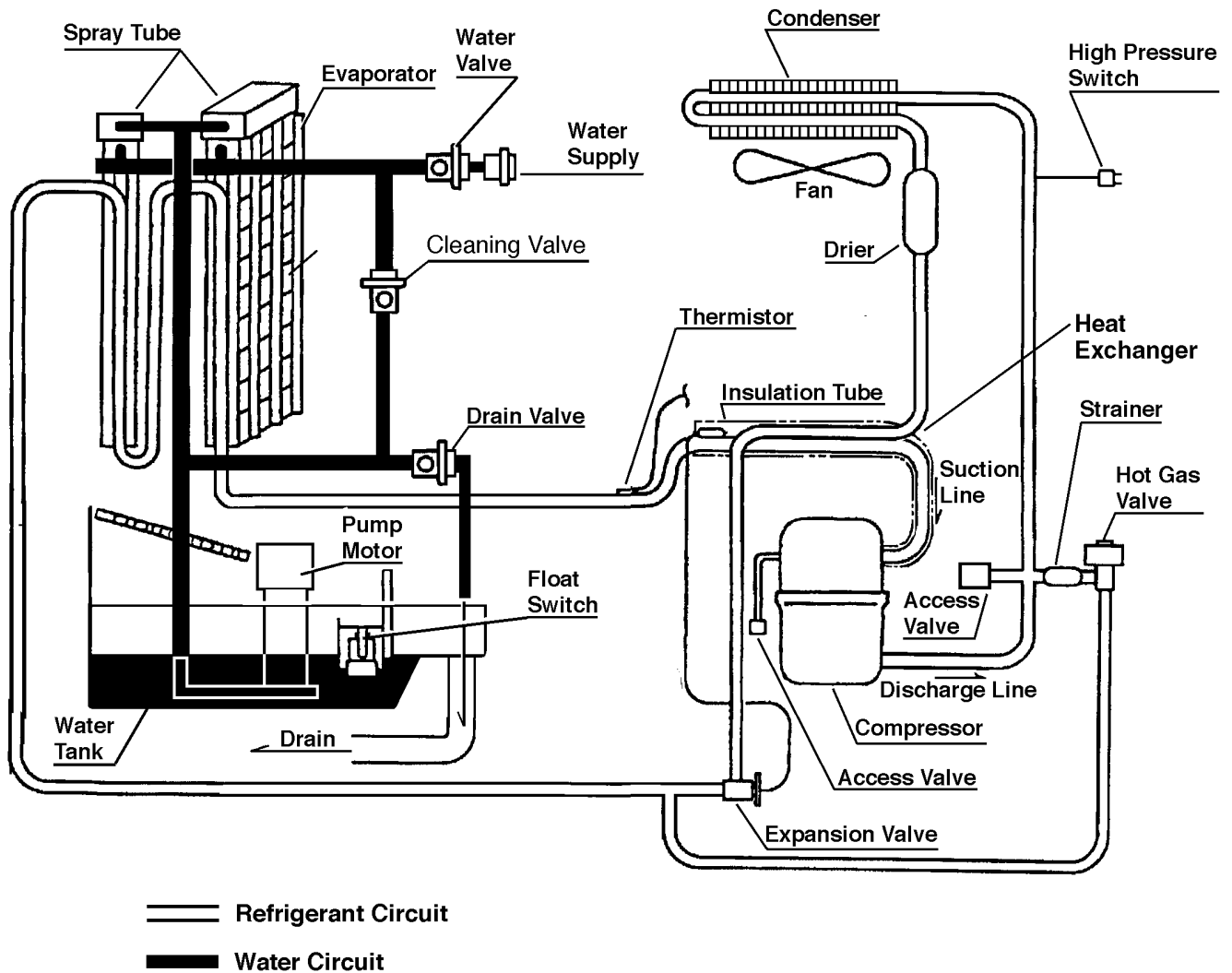
2) Machine will not shut off

- (i) Refer to Section "IV. Service Diagnosis" to verify that non-bin control related issues are resolved.
- (ii) Dip switch No. 7 should be in the on position. If the switch is in the off position, the controller board will not receive input from the bin control.
- (iii) Move the lever to the far right.
 - a. If the machine does not shut off, check the resistance values of the resistor wire harness. You should read approximately 15.8 K Ω between the black terminal and the red terminal that connect to the K4 connector on the controller board, when the lever is in the bin full position (far right). If this reads approximately 7.9 K Ω , the resistors are miswired. Switch the black and white wires in the terminal housing or order a replacement wire harness.
 - b. Check the stainless steel bracket that the bin control is mounted to.
 - c. If the preceding items do not resolve the problem, replace the Bin Control Assembly.

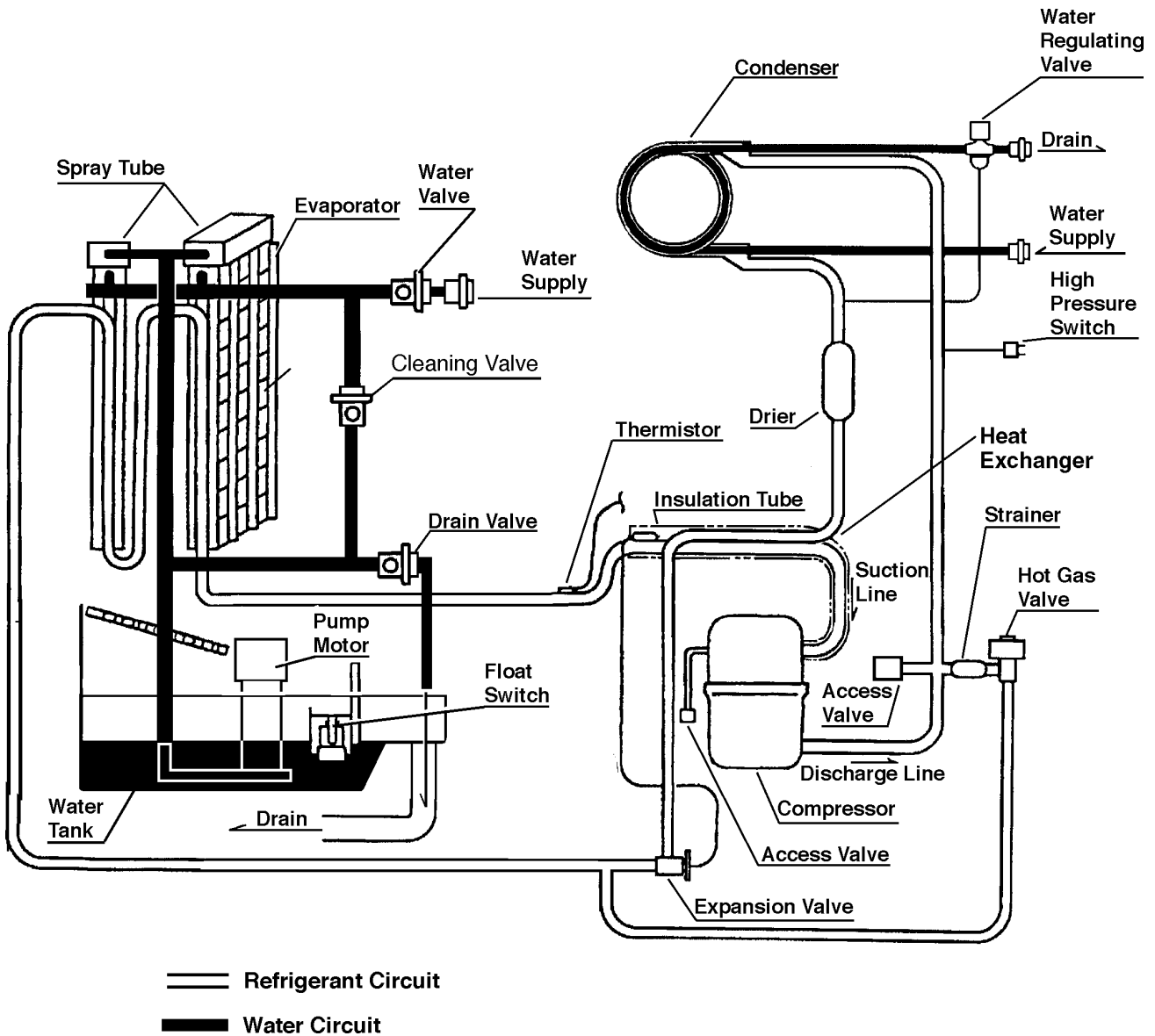
III. TECHNICAL INFORMATION

1. WATER CIRCUIT AND REFRIGERANT CIRCUIT

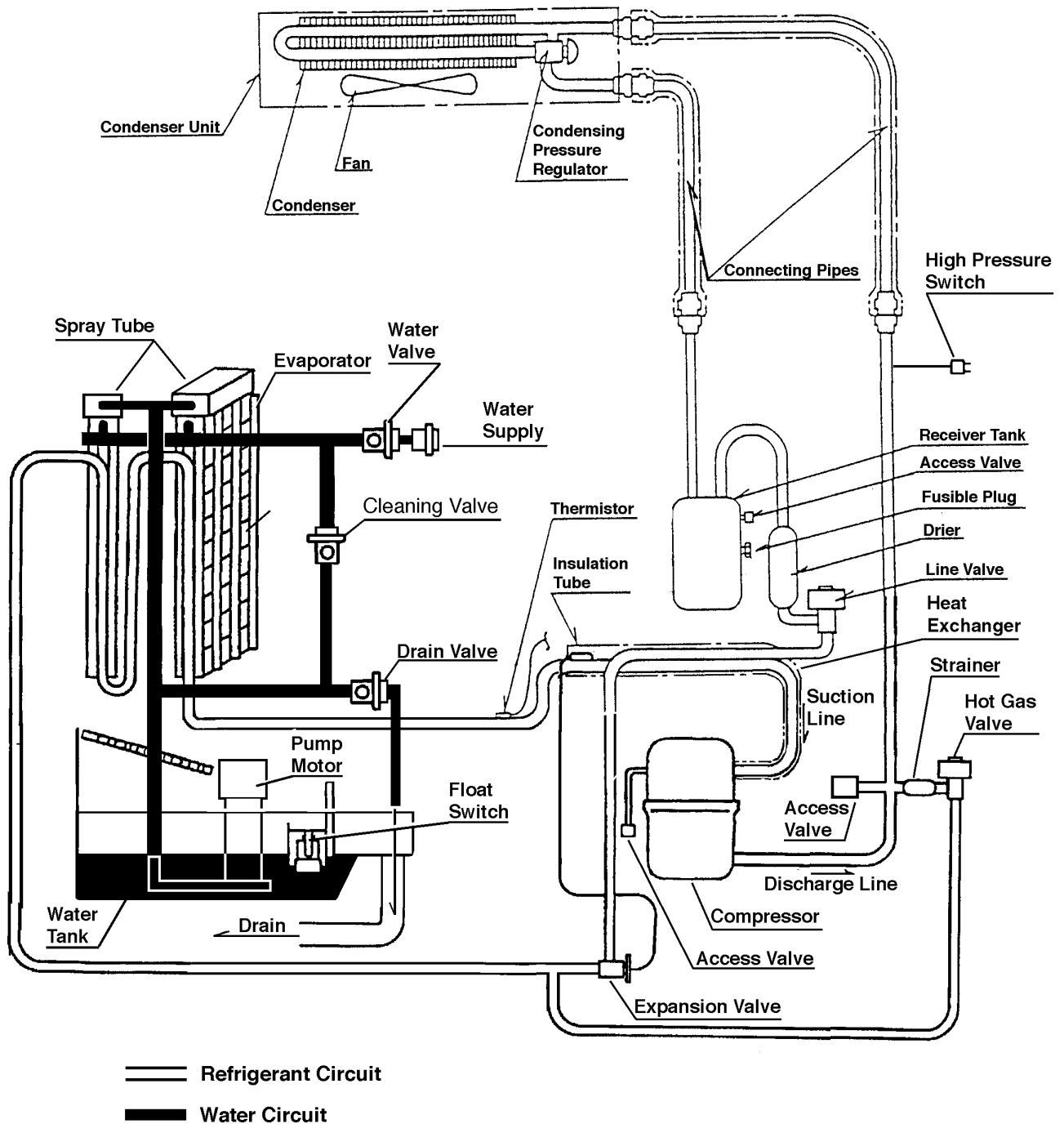
[a] KML-250MAH
 KML-350MAF, KML-350MAH
 KML-450MAF, KML-450MAH
 KML-600MAF, KML-600MAH

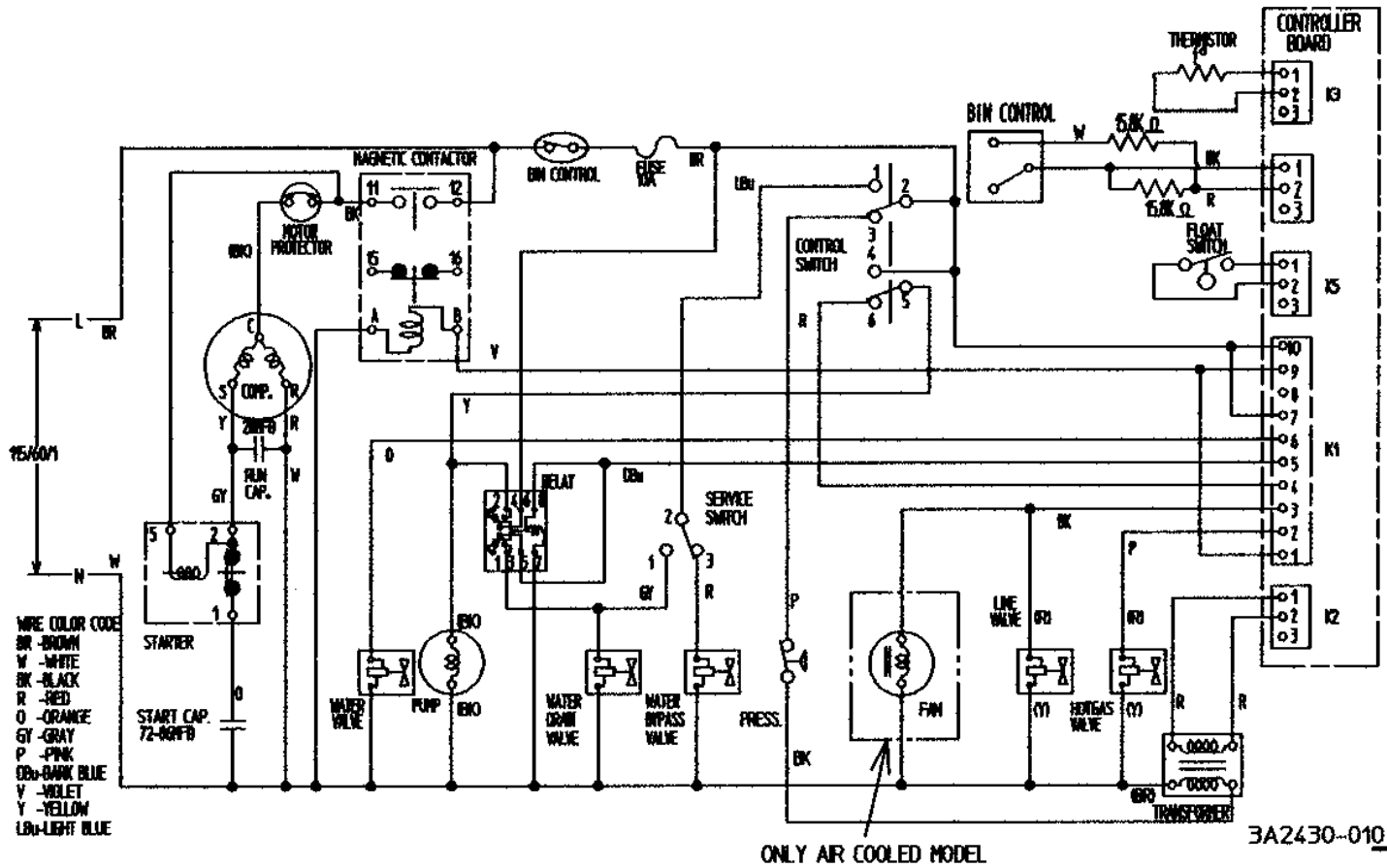


[b] KML-250MWH
 KML-350MWF, KML-350MWH
 KML-450MWF, KML-450MWH
 KML-600MWF, KML-600MWH



[c] KML-600MRF, KML-600MRH





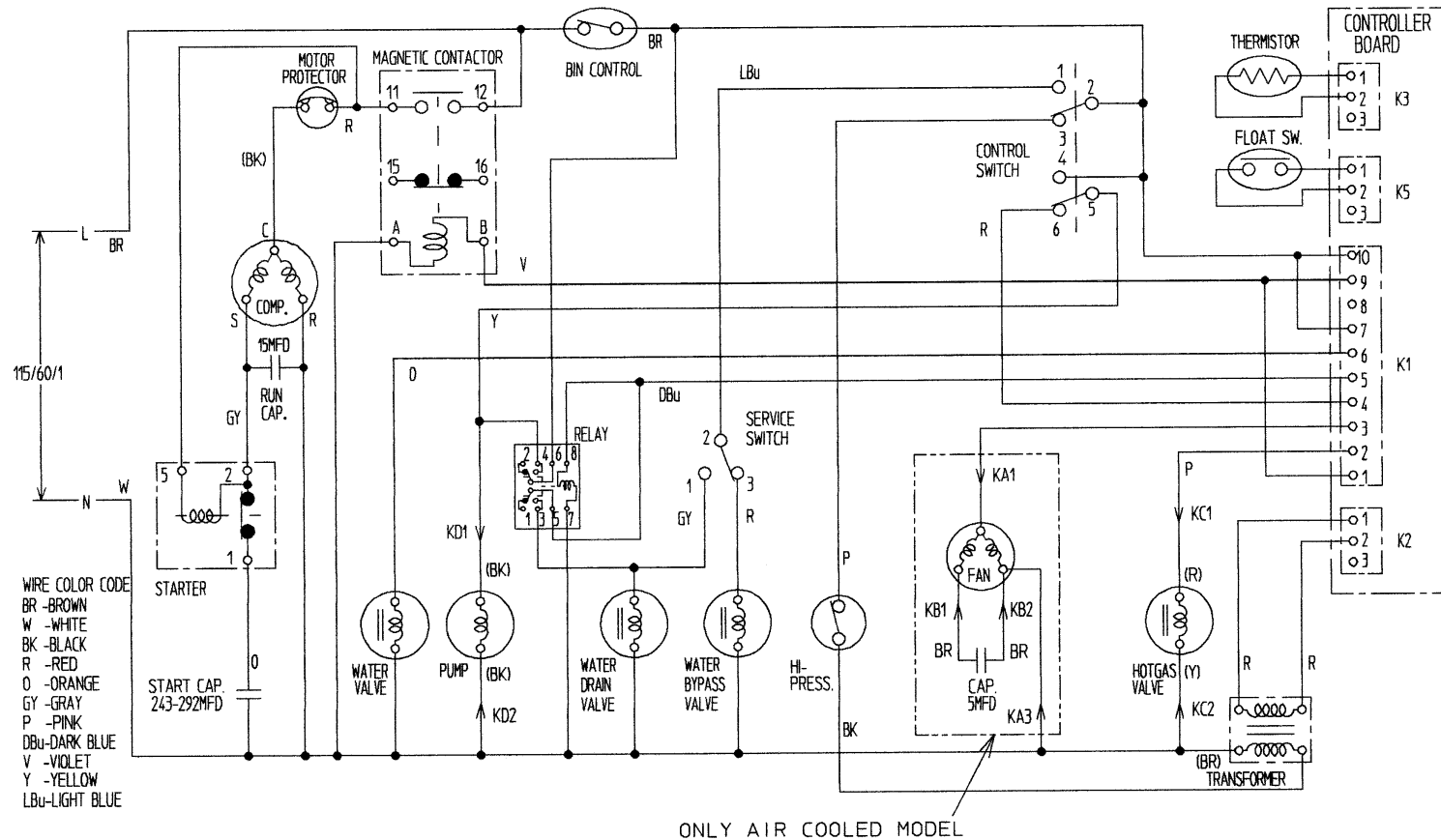
[b] KML-250MAH (Beginning Serial #M20461G);
 KML-250MWH (Beginning Serial #M20091G)

Note: KML-250MAH Pressure Switch

Cut-out 412.5 PSIG
 Cut-in 327 ± 21.3 PSIG

KML-250MWH Pressure Switch

Cut-out 384 PSIG
 Cut-in 284.5 ± 21.3 PSIG



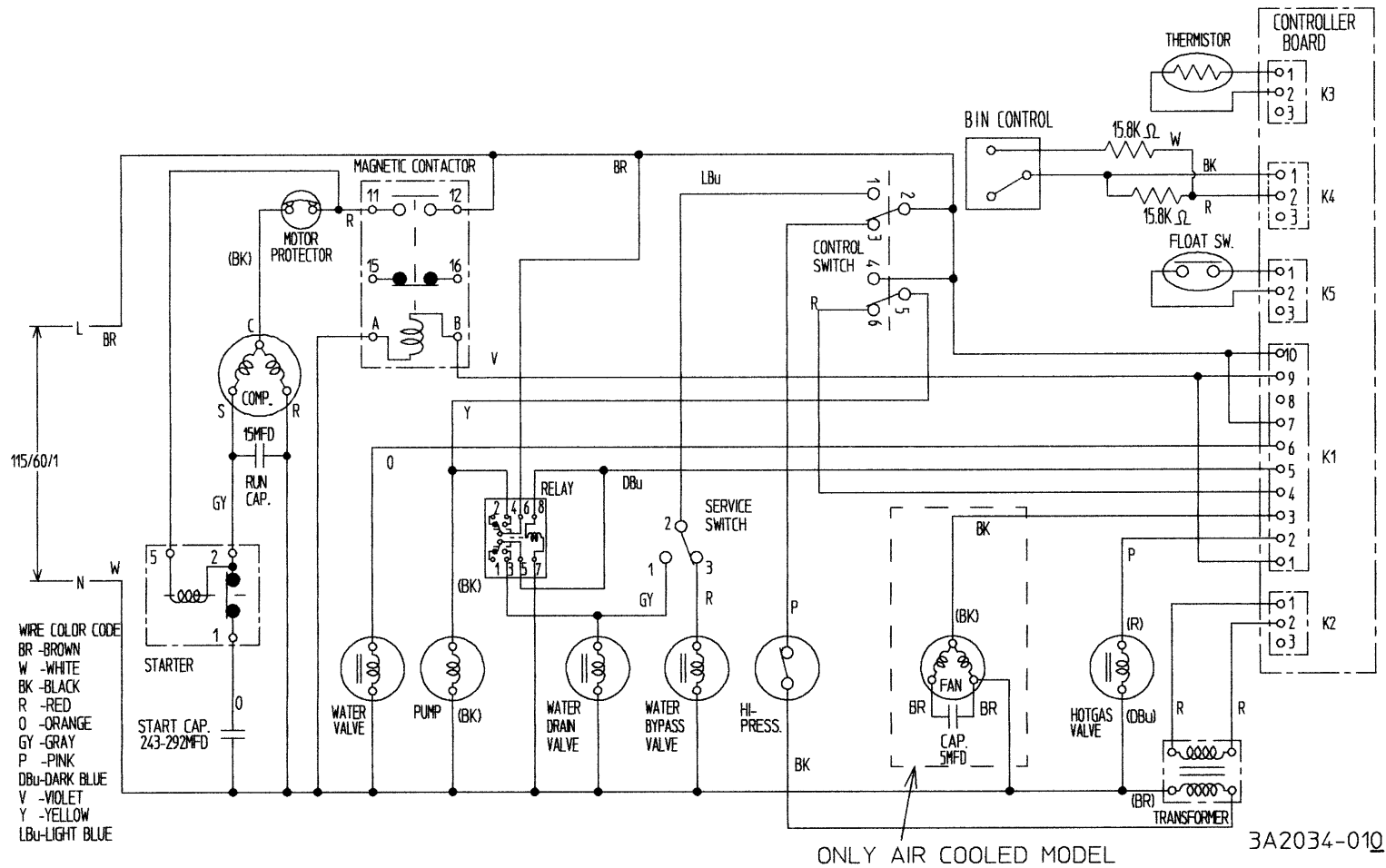
[c] KML-350MAF and KML-350MWF

Note: KML-350MAF Pressure Switch

Cut-out	412.5	PSIG
Cut-in	327 ± 21.3	PSIG

KML-350MWF Pressure Switch

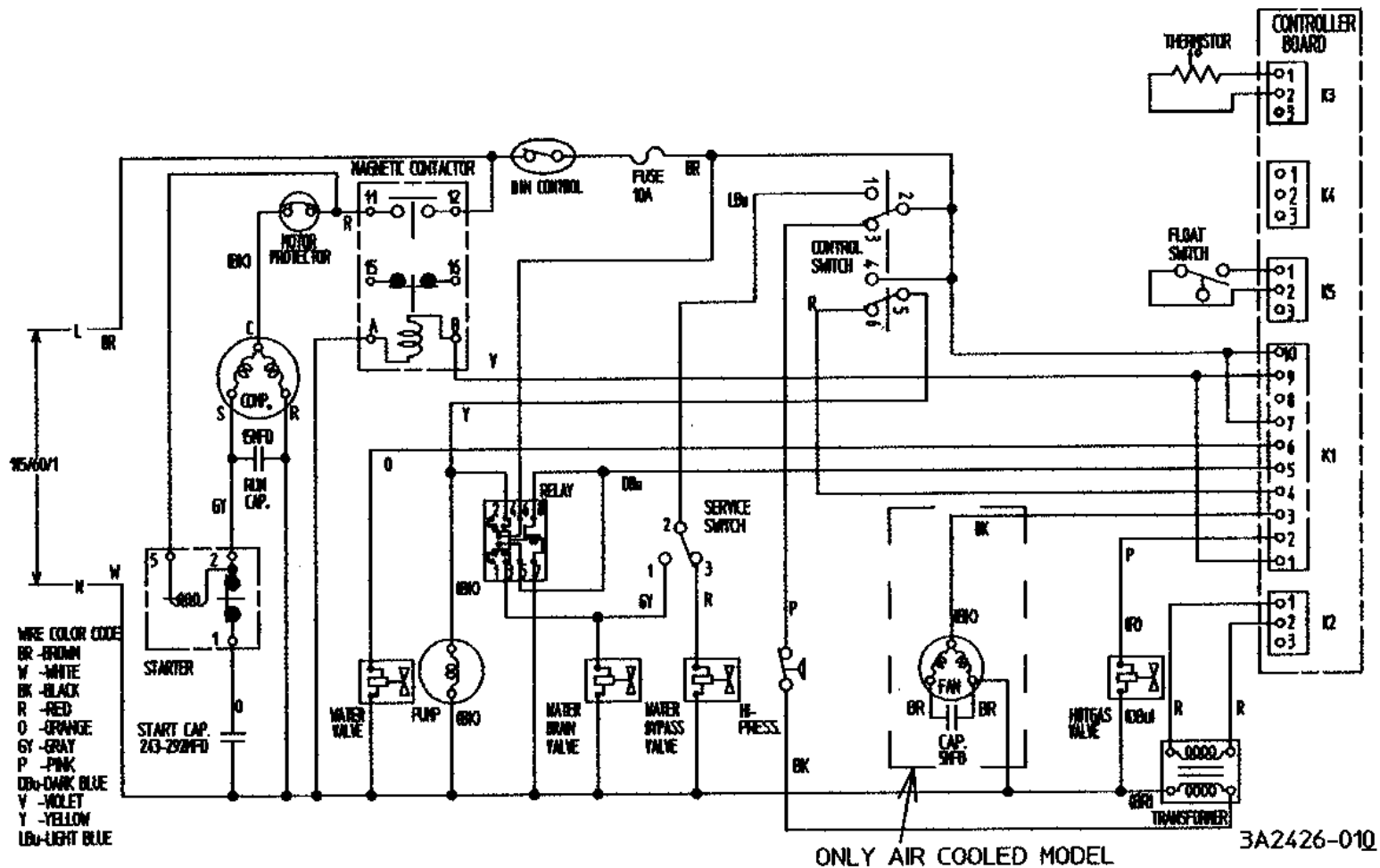
Cut-out	384	PSIG
Cut-in	284.5 ± 21.3	PSIG



Note: KML-350MAH Pressure Switch
 Cut-out 412.5 PSIG
 Cut-in 327 ± 21.3 PSIG

KML-350MWH Pressure Switch
 Cut-out 384 PSIG
 Cut-in 284.5 ± 21.3 PSIG

[d] KML-350MAH (Beginning Serial #L00001L, ending Serial #M10290F);
 KML-350MWH (Beginning Serial #L00001J, ending Serial #M30080F)



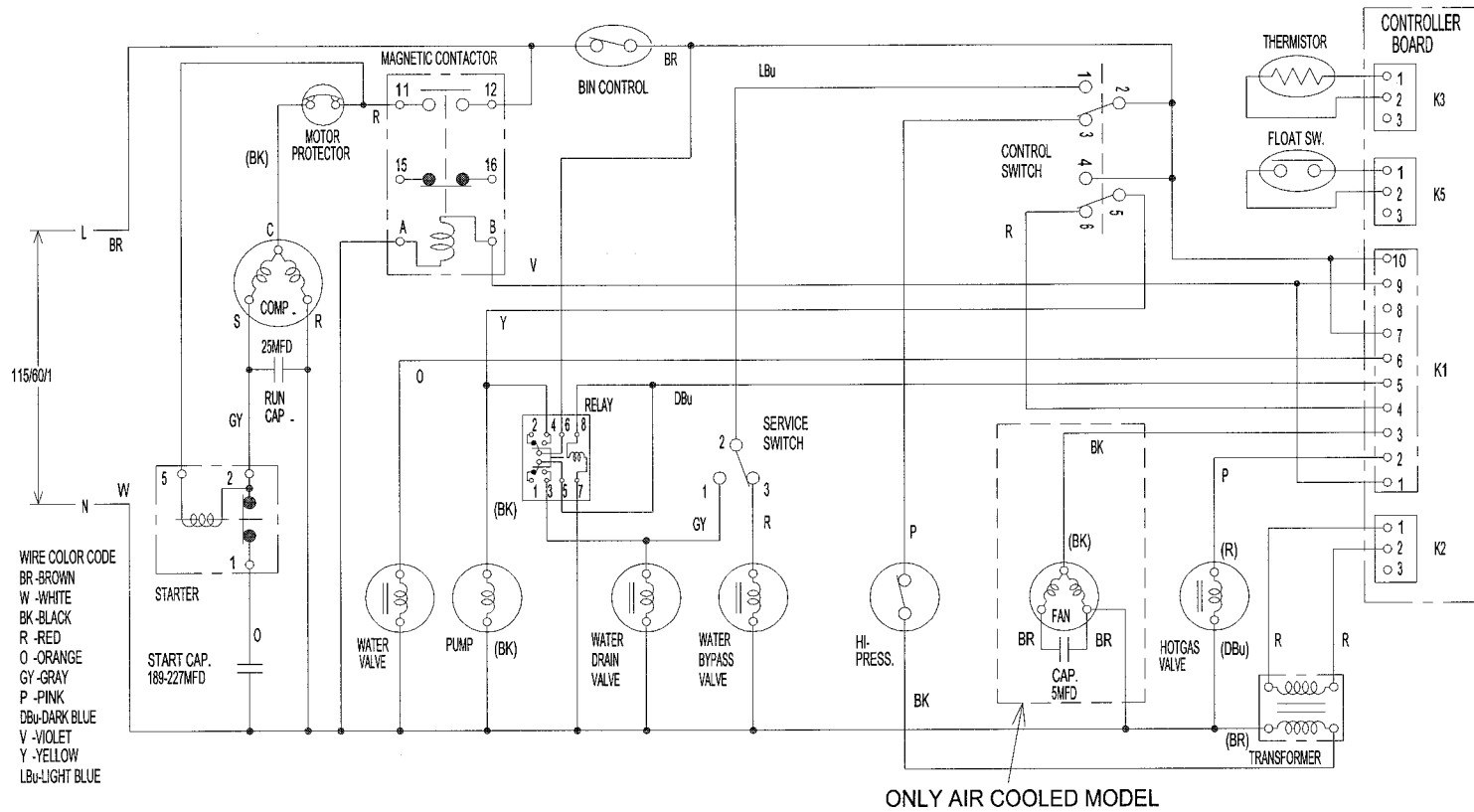
[e] KML-350MAH (Beginning Serial #M20291G);
 KML-350MWH (Beginning Serial #M40081G)

Note: KML-350MAH Pressure Switch

Cut-out	412.5	PSIG
Cut-in	327 ± 21.3	PSIG

KML-350MWH Pressure Switch

Cut-out	384	PSIG
Cut-in	284.5 ± 21.3	PSIG

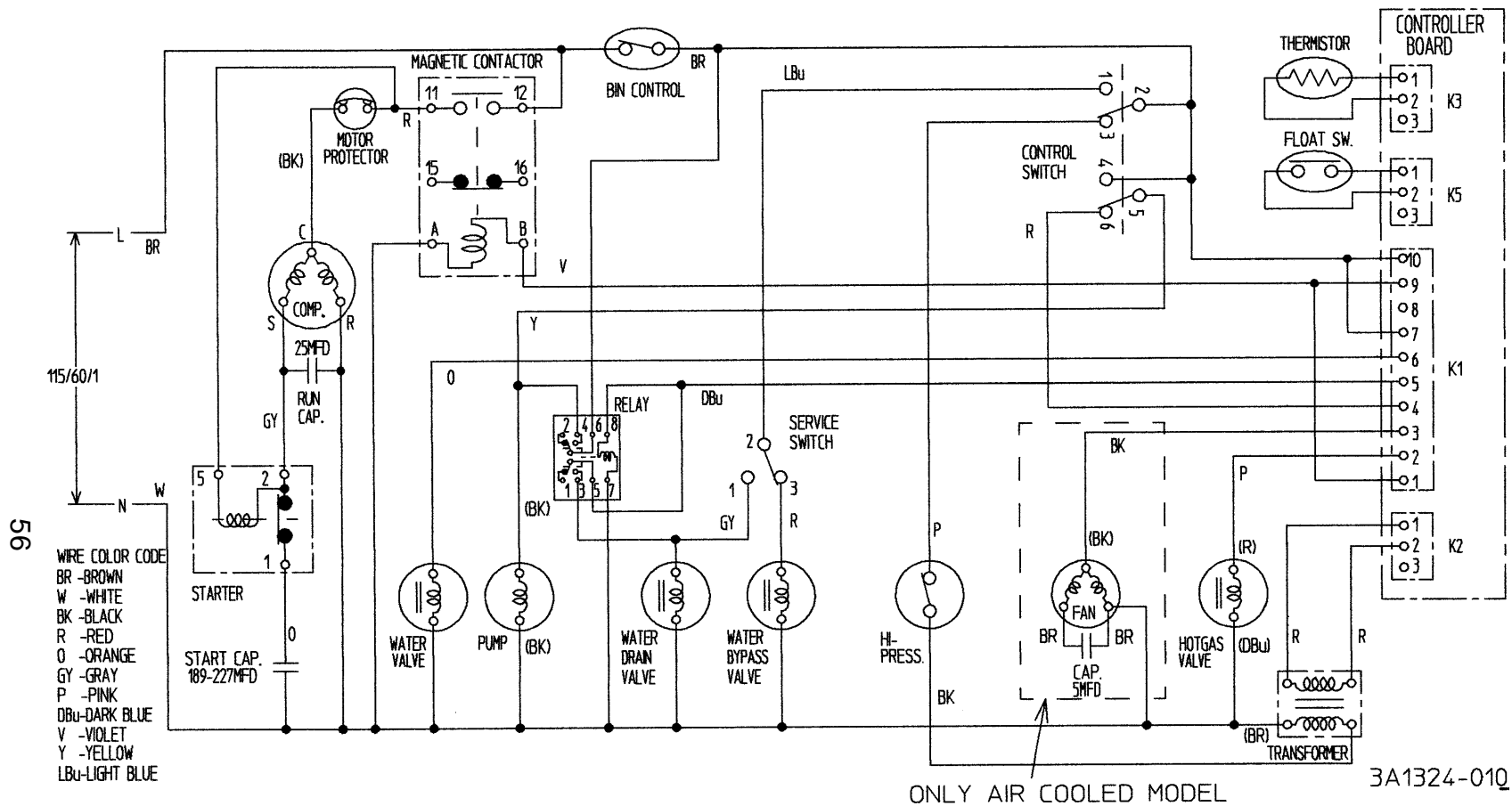


Note: KML-450MAF Pressure Switch

Cut-out	412.5	PSIG
Cut-in	327 ± 21.3	PSIG

KML-450MWF Pressure Switch

Cut-out	384	PSIG
Cut-in	284.5 ± 21.3	PSIG



Note: KML-450MAH Pressure Switch

Cut-out 412.5 PSIG

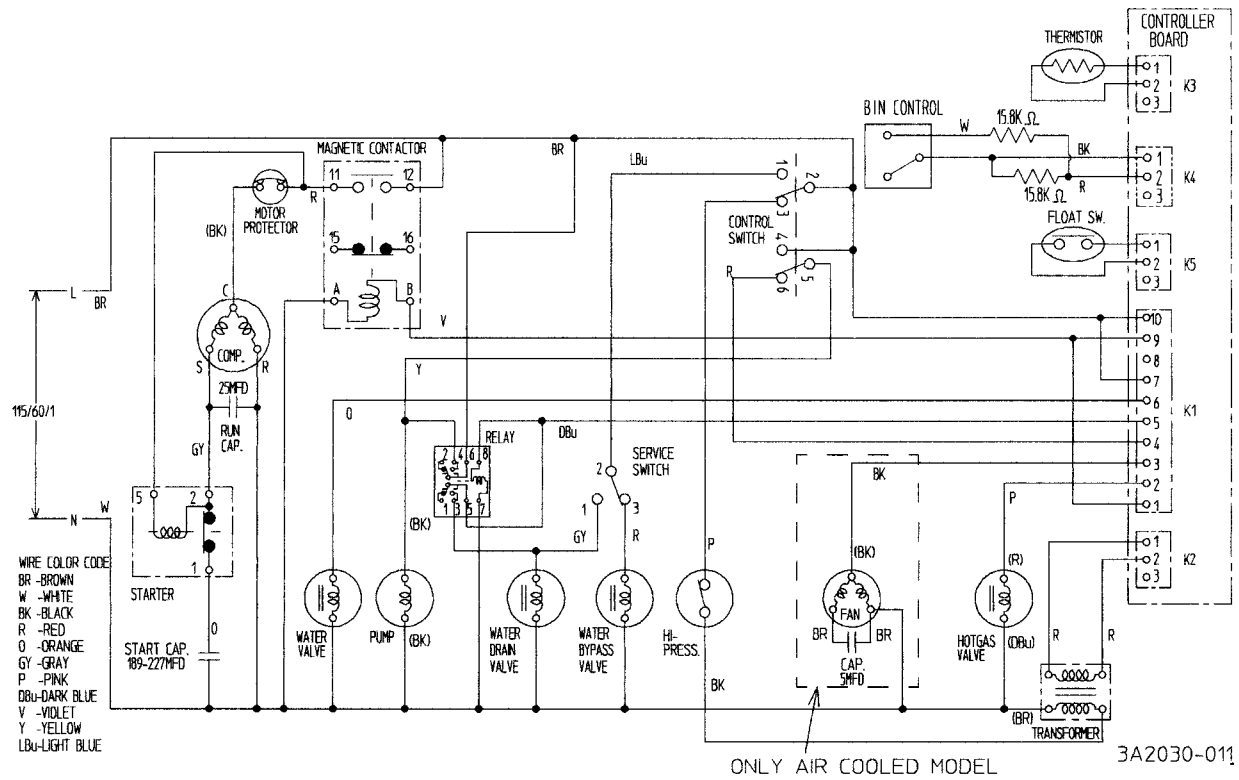
Cut-in 327 ± 21.3 PSIG

KML-450MWH Pressure Switch

Cut-out 384 PSIG

Cut-in 284.5 ± 21.3 PSIG

[g] KML-450MAH (Beginning Serial #L00101C, ending Serial #L00950G);
 KML-450MWH (Beginning Serial #L00001D, ending Serial #L00200G)



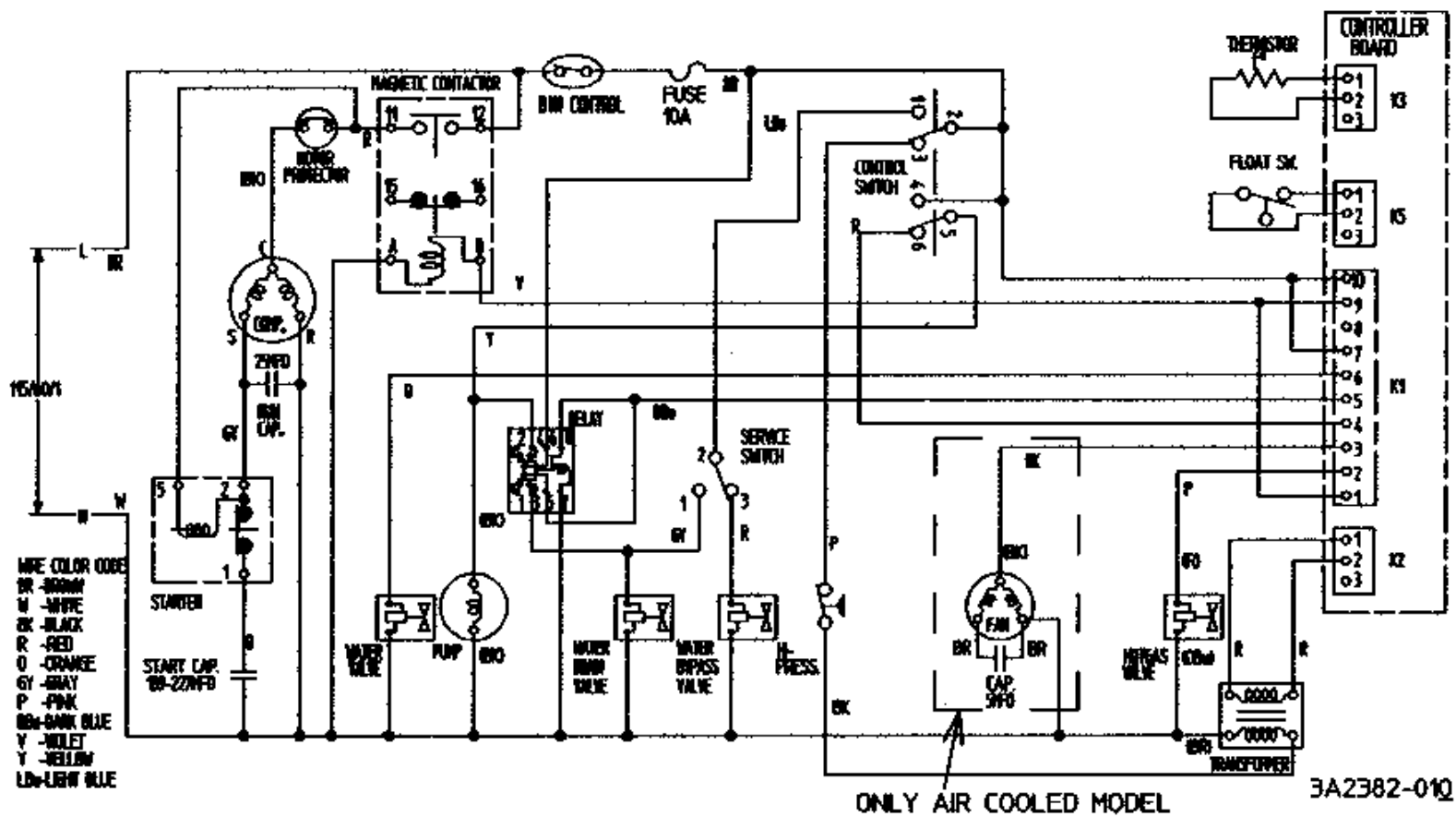
Note: KML-450MAH Pressure Switch

Cut-out 412.5 PSIG
 Cut-in 327 ± 21.3 PSIG

KML-450MWH Pressure Switch

Cut-out 384 PSIG
 Cut-in 284.5 ± 21.3 PSIG

[h] KML-450MAH (Beginning Serial #L20951H, ending Serial #M12770F);
 KML-450MWH (Beginning Serial #L10201H, ending Serial #M20710F)



Note: KML-450MAH Pressure Switch

Cut-out 412.5 PSIG

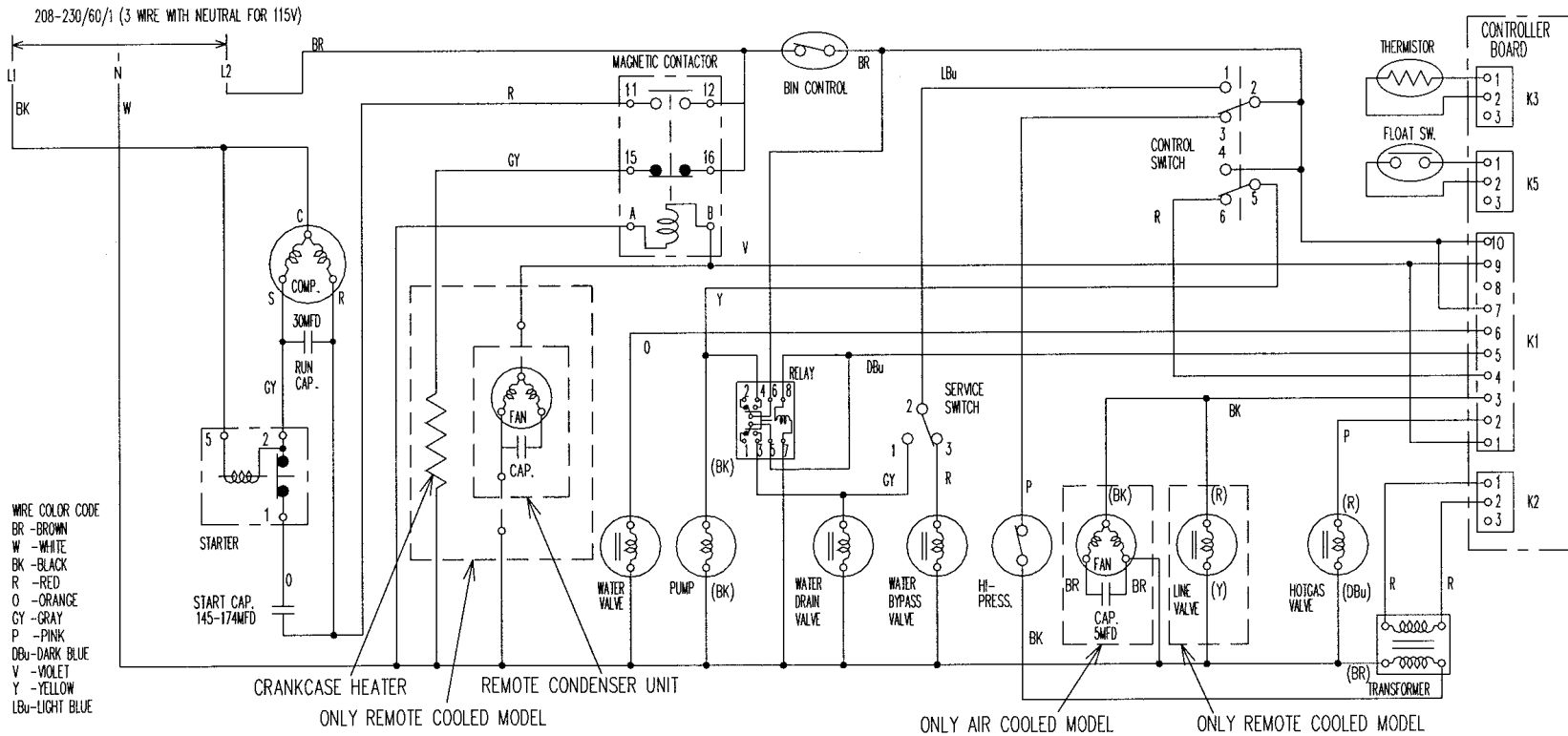
Cut-in 327 ± 21.3 PSIG

KML-450MWH Pressure Switch

Cut-out 384 PSIG

Cut-in 284.5 ± 21.3 PSIG

[i] KML-450MAH (Beginning Serial #M22771G);
 KML-450MWH (Beginning Serial #M30711G)



Note: KML-600MWF Pressure Switch

Cut-out 384 ^{+21.3}/₋₀ PSIG

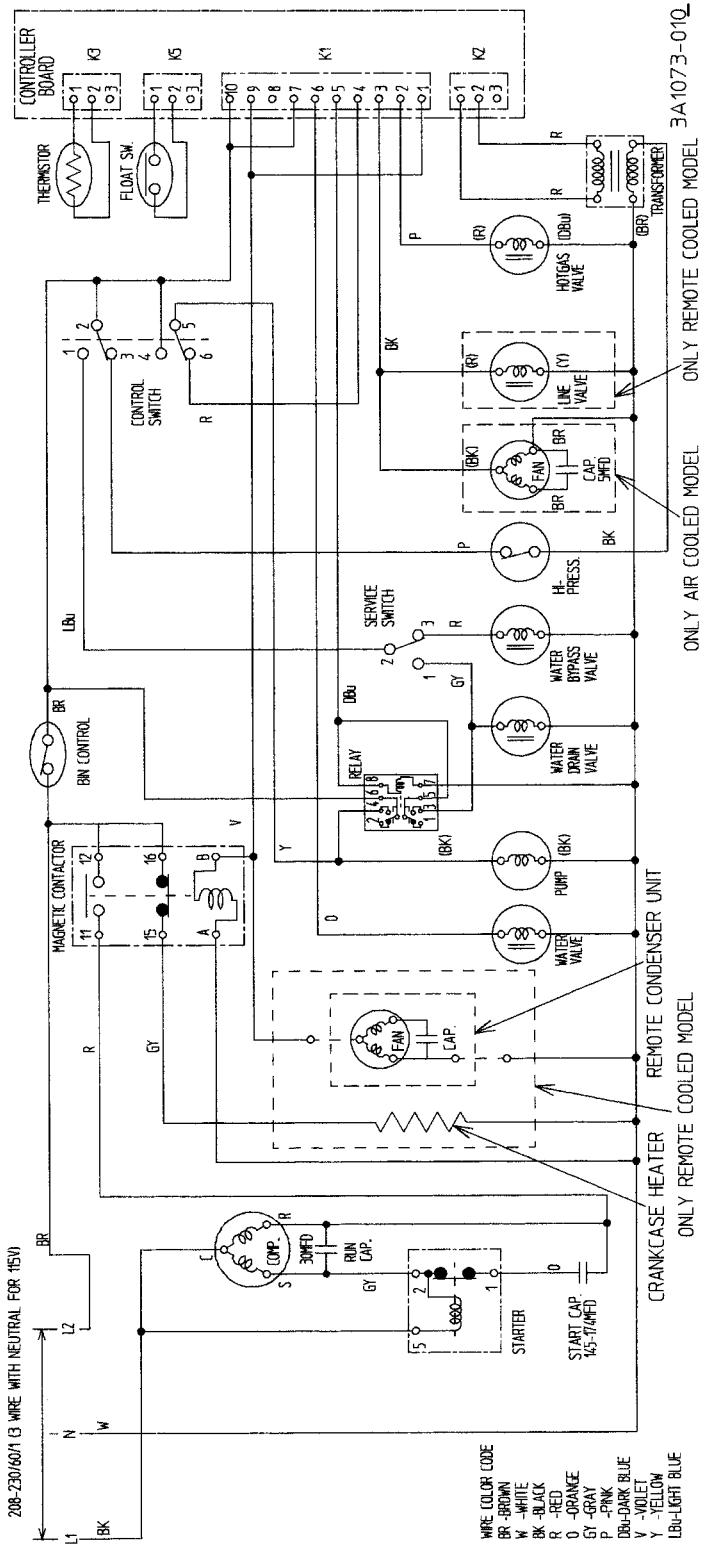
Cut-in 284.5 ± 21.3 PSIG

KML-600MAF, MRF Pressure Switch

Cut-out 412.5 ^{+21.3}/₋₀ PSIG

Cut-in 327 ± 21.3 PSIG

**[k] KML-600MAH (Beginning Serial #L0001F, ending Serial #L00070F);
 KML-600MWH (Beginning Serial #L0001D, ending Serial #L00080E);
 KML-600MRH (Beginning Serial #L0001F, ending Serial #L00050F)**



Note: KML-600MWH Pressure Switch

Cut-out 384 PSIG

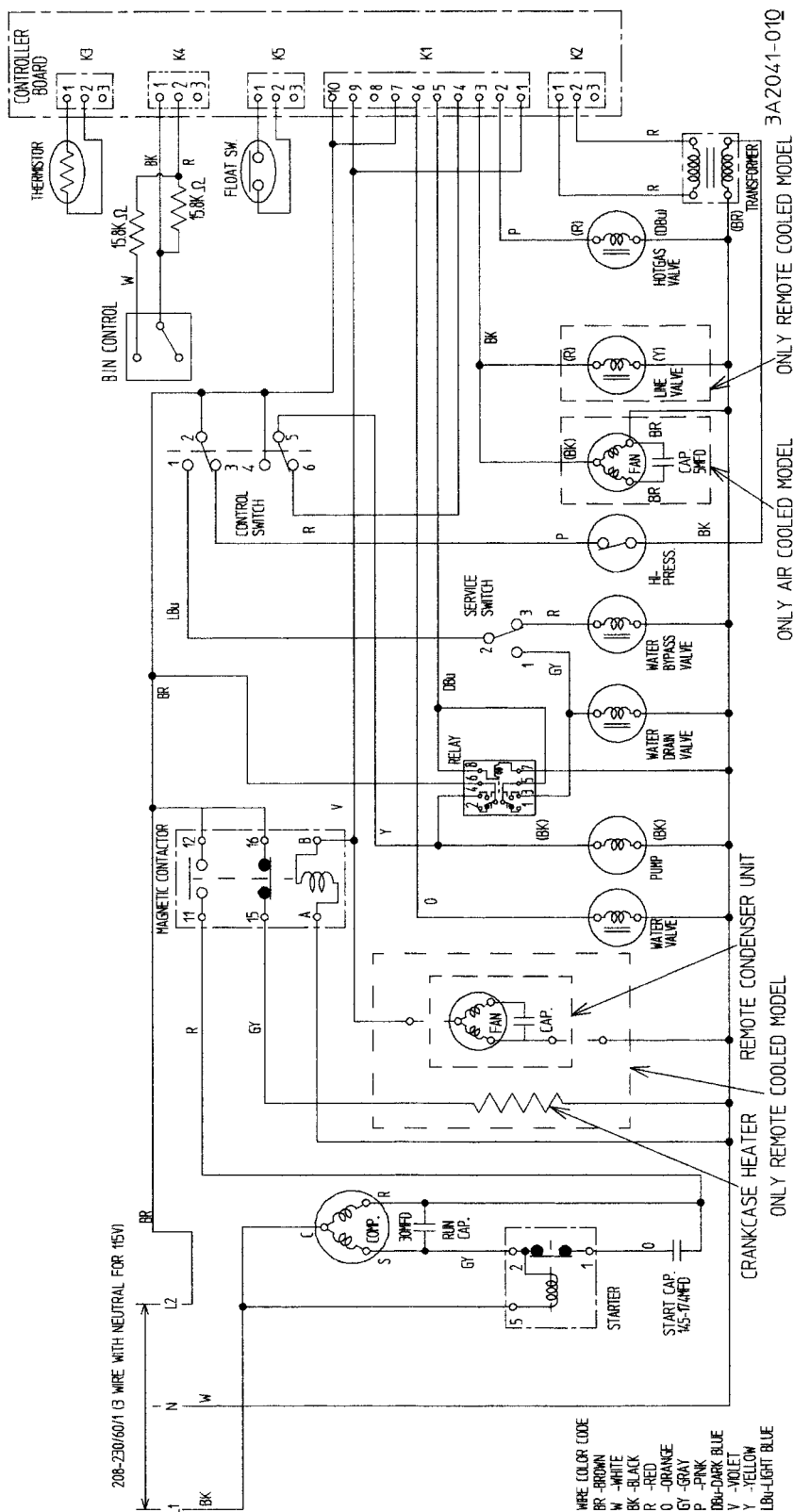
Cut-in 284.5 ± 21.3 PSIG

KML-600MAH, MRH Pressure Switch

Cut-out 412.5 PSIG

Cut-in 327 ± 21.3 PSIG

[I] KML-600MAH (Beginning Serial #L10071H, ending Serial #M10460G);
 KML-600MWH (Beginning Serial #L10081K, ending Serial #M10140E);
 KML-600MRH (Beginning Serial #L10051H, ending Serial #M10350E)



Note: KML-600MWH Pressure Switch

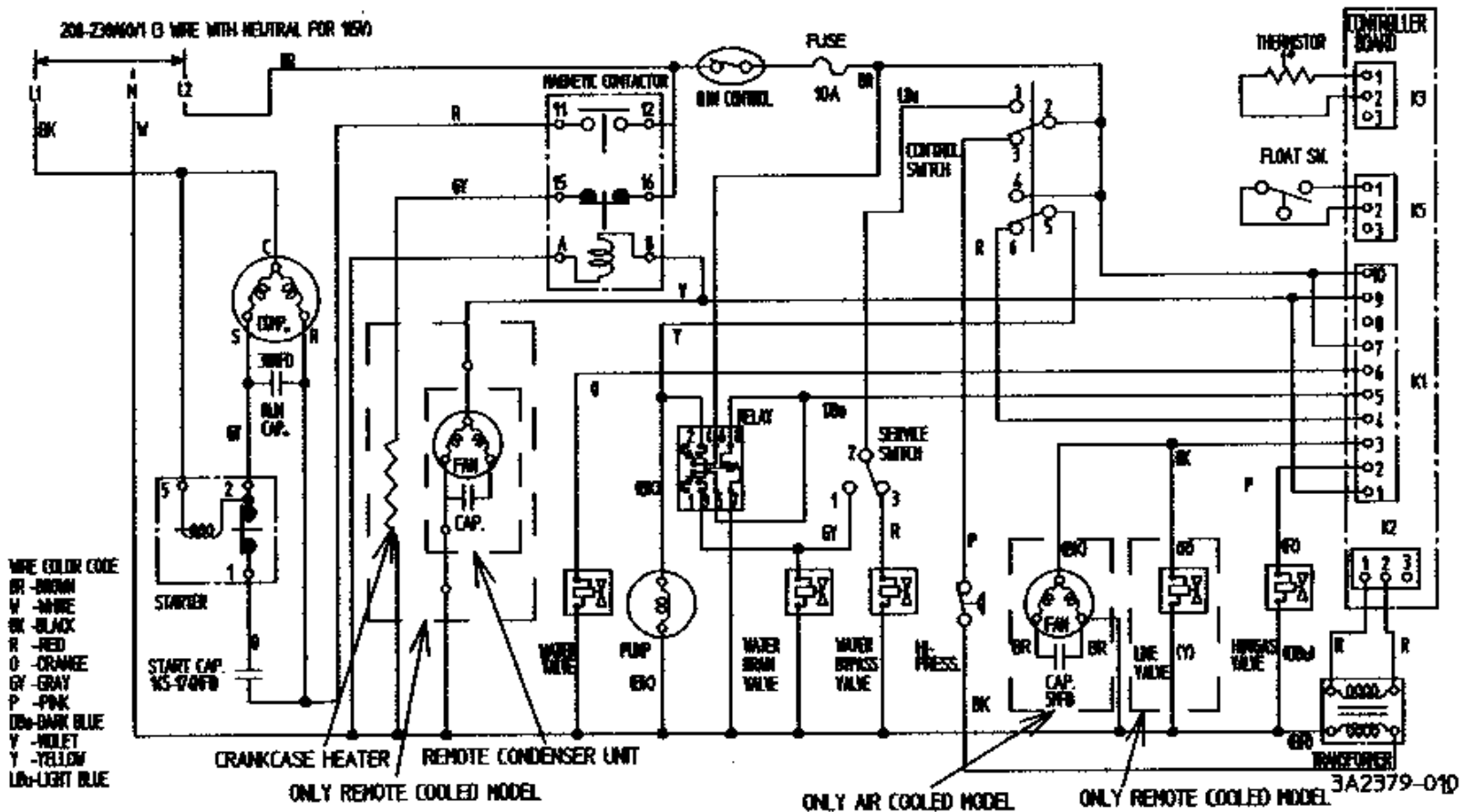
Cut-out 384 PSIG

Cut-in 284.5 ± 21.3 PSIG

KML-600MAH, MRH Pressure Switch

Cut-out 412.5 PSIG

Cut-in 327 ± 21.3 PSIG



[m] KML-600MAH (Beginning Serial #M2____);
 KML-600MWH (Beginning Serial #M20141F);
 KML-600MRH (Beginning Serial #M20331E)

Note: KML-600MWH Pressure Switch

Cut-out 384 PSIG

Cut-in 284.5 ± 21.3 PSIG

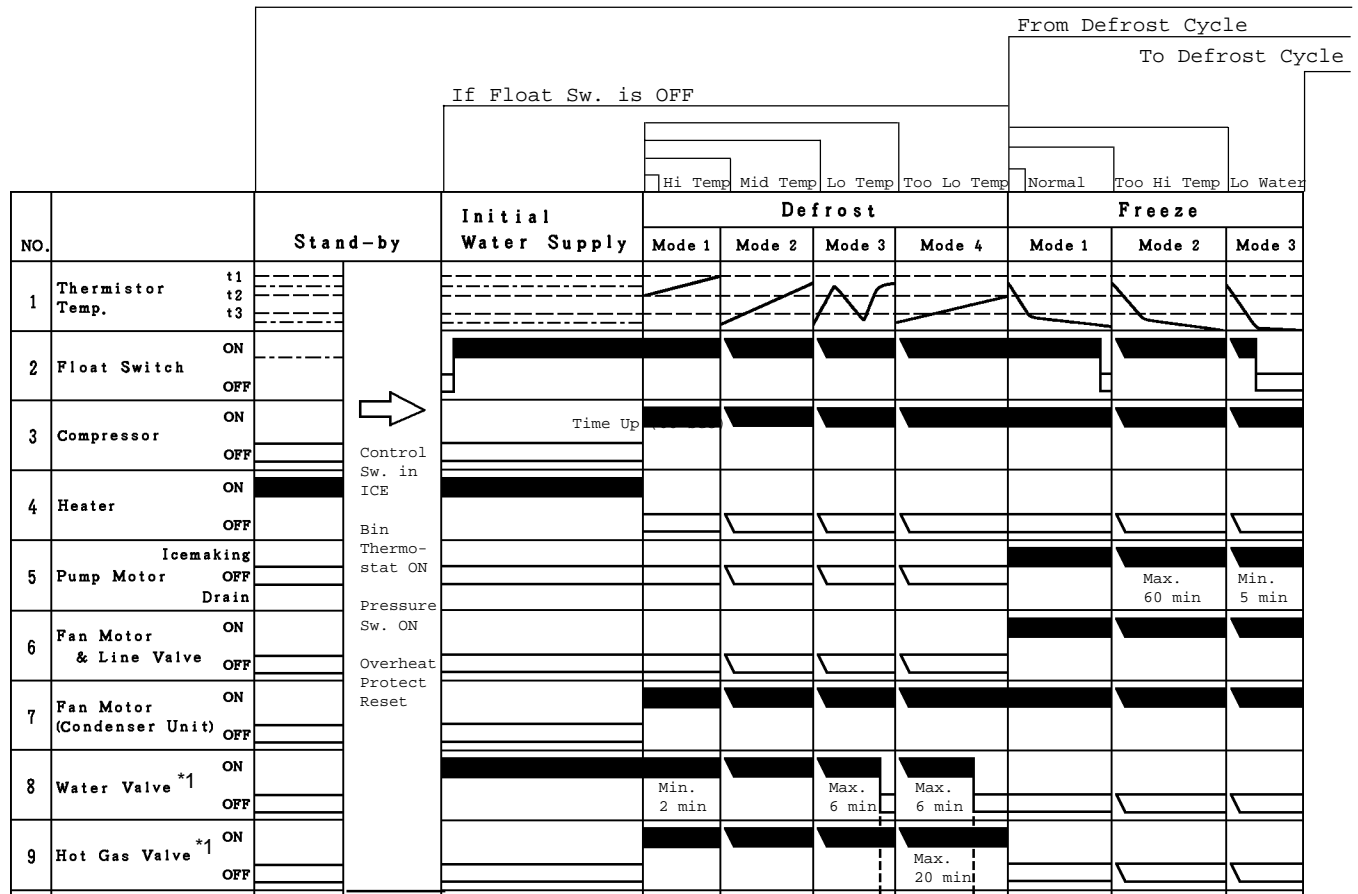
KML-600MAH, MRH Pressure Switch

Cut-out 412.5 PSIG

Cut-in 327 ± 21.3 PSIG

3. TIMING CHART

When Control Sw. is turned OFF, Pressure Sw. is OFF, Thermistor Temp. exceeds t_1 , or Bin Control is in full position (during first 5 minutes of freeze cycle for mechanical bin control only *3).

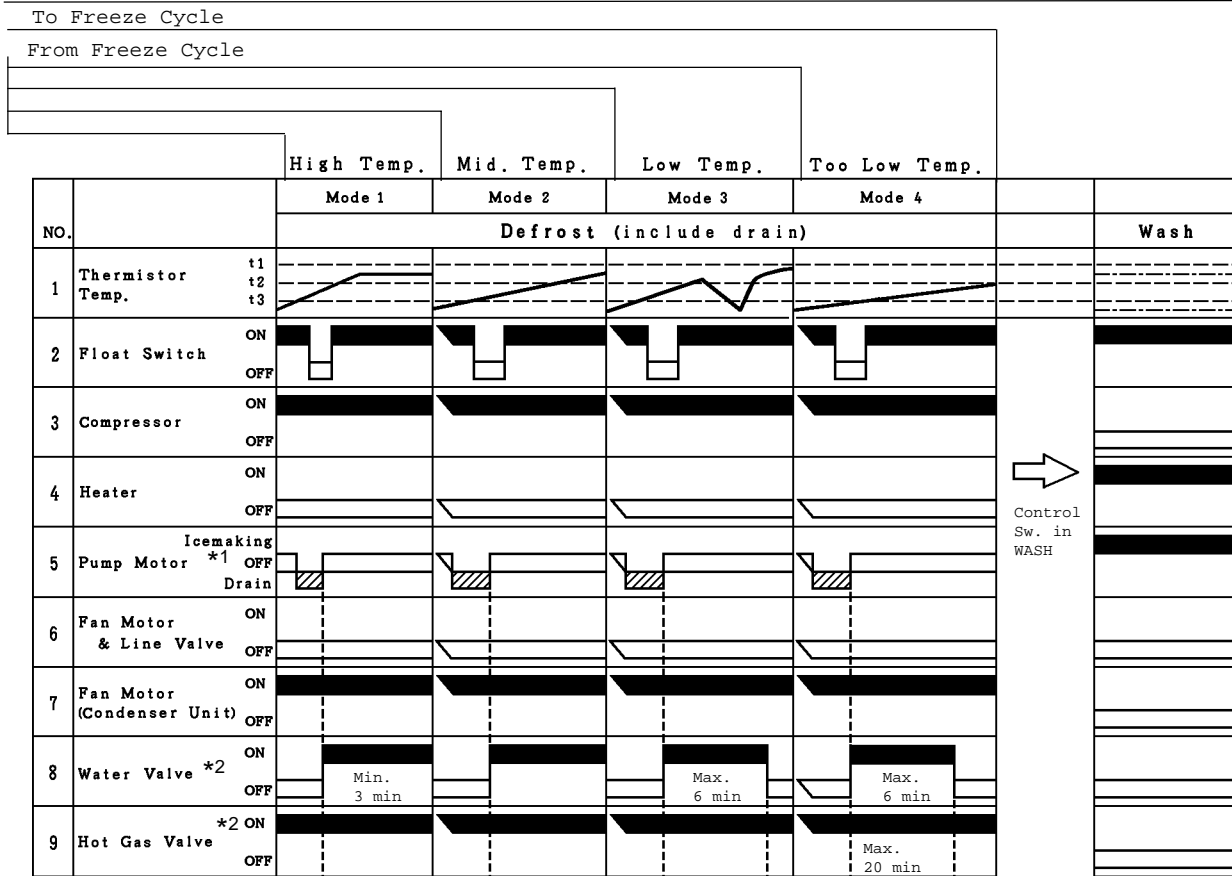


*NOTE:

*1 The icemaker does not complete a defrost cycle in the first 2 or 3 minutes. See "II. 2. [d] CONTROLS AND ADJUSTMENTS."

*3 (Mechanical bin control only) The bin control will only shut off the ice machine during the first five minutes of the freeze cycle.

To Stand-by Cycle (When Control Sw. is turned OFF, Pressure Sw. is OFF, Thermistor Temp. exceeds t1, or Bin Control is in full position)



- *1 The Pump Motor waits for 2 seconds before starting a drain cycle. See "II. 2. [d] CONTROLS AND ADJUSTMENTS."
- *2 The icemaker does not complete a defrost cycle in the first 2 or 3 minutes. See "II. 2. [d] CONTROLS AND ADJUSTMENTS."
- *3 (Mechanical bin control only) The bin control will only shut off the ice machine during the first five minutes of the freeze cycle.

4. PERFORMANCE DATA

[a] KML-250MAH

APPROXIMATE ICE PRODUCTION PER 24 HR.	AMBIENT TEMP. (°F/°C)	WATER TEMP. (°F/°C)					
		50/10		70/21		90/32	
	70/21	307	<u>139</u>	284	<u>129</u>	267	<u>121</u>
	80/27	289	<u>131</u>	253	<u>115</u>	245	<u>111</u>
	90/32	284	<u>129</u>	227	<u>103</u>	215	<u>98</u>
lbs./day <u>kg./day</u>	100/38	255	<u>116</u>	224	<u>102</u>	204	<u>93</u>
APPROXIMATE ELECTRIC CONSUMPTION	70/21	755		766		779	
	80/27	764		782		792	
	90/32	766		795		806	
	watts	100/38		782		797	
APPROXIMATE WATER CONSUMPTION PER 24 HR.	70/21	194	<u>0.73</u>	159	<u>0.60</u>	142	<u>0.54</u>
	80/27	167	<u>0.63</u>	113	<u>0.43</u>	114	<u>0.43</u>
	90/32	159	<u>0.60</u>	75	<u>0.29</u>	68	<u>0.26</u>
	gal./day <u>m³/day</u>	100/38	120	<u>0.45</u>	74	<u>0.28</u>	61
FREEZING CYCLE TIME	70/21	27		29		32	
	80/27	29		32		35	
	90/32	29		35		38	
	min.	100/38		33		36	
HARVEST CYCLE TIME	70/21	4.7		4.0		3.7	
	80/27	4.1		3.0		3.1	
	90/32	4.0		2.2		2.1	
	min.	100/38		3.2		2.2	
HEAD PRESSURE	70/21	247	<u>17.4</u>	266	<u>18.7</u>	293	<u>20.6</u>
	80/27	261	<u>18.4</u>	290	<u>20.4</u>	319	<u>22.4</u>
	90/32	266	<u>18.7</u>	311	<u>21.9</u>	340	<u>23.9</u>
	PSIG <u>kg/cm²G</u>	100/38	295	<u>20.7</u>	318	<u>22.3</u>	366
SUCTION PRESSURE	70/21	58	<u>4.1</u>	59	<u>4.2</u>	60	<u>4.2</u>
	80/27	59	<u>4.1</u>	61	<u>4.3</u>	62	<u>4.3</u>
	90/32	59	<u>4.2</u>	62	<u>4.4</u>	63	<u>4.4</u>
	PSIG <u>kg/cm²G</u>	100/38	61	<u>4.3</u>	62	<u>4.4</u>	64

TOTAL HEAT OF REJECTION

5560 BTU / hr [AT 90°F (32°C) / WT 70°F (21°C)]

Note: Pressure data is recorded at 5 minutes into freezing cycle.

The data not in **bold** should be used for reference only.

We reserve the right to make changes in specifications and design without prior notice.

[b] KML-250MWH

APPROXIMATE ICE PRODUCTION PER 24 HR.	AMBIENT TEMP. (°F/°C)	WATER TEMP. (°F/°C)					
		50/10		70/21		90/32	
	70/21	*314	<u>142</u>	304	<u>138</u>	290	<u>132</u>
	80/27	306	<u>139</u>	290	<u>132</u>	277	<u>126</u>
	90/32	304	<u>138</u>	*279	<u>127</u>	265	<u>120</u>
lbs./day kg./day	100/38	301	<u>137</u>	276	<u>125</u>	252	<u>114</u>
APPROXIMATE ELECTRIC CONSUMPTION	70/21	*720		730		738	
	80/27	728		744		748	
	90/32	730		*756		761	
watts	100/38	743		757		767	
APPROXIMATE WATER CONSUMPTION PER 24 HR.	70/21	*398	<u>1.51</u>	431	<u>1.63</u>	525	<u>1.99</u>
	80/27	423	<u>1.60</u>	506	<u>1.91</u>	595	<u>2.25</u>
	90/32	431	<u>1.63</u>	*511	<u>1.93</u>	622	<u>2.35</u>
gal./day m ³ /day	100/38	466	<u>1.76</u>	537	<u>2.03</u>	724	<u>2.74</u>
FREEZING CYCLE TIME	70/21	*28		29		31	
	80/27	29		30		32	
	90/32	29		*31		33	
min.	100/38	29		31		35	
HARVEST CYCLE TIME	70/21	*4.1		3.6		3.3	
	80/27	3.7		3.0		2.8	
	90/32	3.6		*2.5		2.2	
min.	100/38	3.4		2.4		2.0	
HEAD PRESSURE	70/21	*280	<u>19.7</u>	280	<u>19.7</u>	284	<u>20.0</u>
	80/27	280	<u>19.7</u>	280	<u>19.7</u>	286	<u>20.1</u>
	90/32	280	<u>19.7</u>	*280	<u>19.7</u>	285	<u>20.1</u>
PSIG kg/cm ² G	100/38	282	<u>19.8</u>	284	<u>20.0</u>	290	<u>20.4</u>
SUCTION PRESSURE	70/21	*61	<u>4.3</u>	61	<u>4.3</u>	63	<u>4.4</u>
	80/27	61	<u>4.3</u>	62	<u>4.3</u>	63	<u>4.5</u>
	90/32	61	<u>4.3</u>	*62	<u>4.4</u>	64	<u>4.5</u>
PSIG kg/cm ² G	100/38	62	<u>4.3</u>	62	<u>4.4</u>	65	<u>4.6</u>

TOTAL HEAT OF REJECTION FROM CONDENSER 5000 BTU/h [AT 90°F (32°C) / WT 70°F (21°C)]

TOTAL HEAT OF REJECTION FROM COMPRESSOR 930 BTU/h [AT 90°F (32°C) / WT 70°F (21°C)]

WATER FLOW FOR CONDENSER 27 gal. / h (AT 100°F (38°C) / WT 90°F (32°C))

PRESSURE DROP OF COOLING WATER LINE less than 10 PSIG

Note: Pressure data is recorded at 5 minutes into freezing cycle.

The data not with * should be used for reference only.

We reserve the right to make changes in specifications and design without prior notice.

[c] KML-350MAF

APPROXIMATE ICE PRODUCTION PER 24 HR.	AMBIENT TEMP. (°F/°C)	WATER TEMP. (°F/°C)					
		50/10		70/21		90/32	
	70/21	350	<u>159</u>	336	<u>152</u>	309	<u>140</u>
	80/27	339	<u>154</u>	317	<u>144</u>	287	<u>130</u>
	90/32	336	<u>152</u>	301	<u>137</u>	272	<u>123</u>
lbs./day <u>kg./day</u>	100/38	328	<u>149</u>	294	<u>133</u>	245	<u>111</u>
APPROXIMATE ELECTRIC CONSUMPTION	70/21	802		846		875	
	80/27	836		905		916	
	90/32	846		953		972	
	watts	910		958		990	
APPROXIMATE WATER CONSUMPTION PER 24 HR.	70/21	170	<u>0.64</u>	143	<u>0.54</u>	129	<u>0.49</u>
	80/27	149	<u>0.56</u>	107	<u>0.40</u>	107	<u>0.40</u>
	90/32	143	<u>0.54</u>	77	<u>0.29</u>	71	<u>0.27</u>
	gal./day <u>m³/day</u>	100/38	150	<u>0.57</u>	75	<u>0.29</u>	65
FREEZING CYCLE TIME	70/21	25		27		30	
	80/27	26		29		33	
	90/32	27		31		35	
	min.	28		32		38	
HARVEST CYCLE TIME	70/21	4.0		3.4		3.2	
	80/27	3.6		2.6		2.8	
	90/32	3.4		2.0		2.0	
	min.	2.6		2.0		2.0	
HEAD PRESSURE	70/21	240	<u>16.9</u>	261	<u>18.3</u>	285	<u>20.0</u>
	80/27	256	<u>18.0</u>	288	<u>20.2</u>	310	<u>21.8</u>
	90/32	261	<u>18.3</u>	310	<u>21.8</u>	333	<u>23.4</u>
	PSIG <u>kg/cm²G</u>	100/38	284	<u>20.0</u>	315	<u>22.2</u>	355
SUCTION PRESSURE	70/21	48	<u>3.4</u>	50	<u>3.5</u>	53	<u>3.8</u>
	80/27	50	<u>3.5</u>	53	<u>3.7</u>	56	<u>4.0</u>
	90/32	50	<u>3.5</u>	55	<u>3.9</u>	59	<u>4.1</u>
	PSIG <u>kg/cm²G</u>	100/38	51	<u>3.6</u>	56	<u>3.9</u>	62

TOTAL HEAT OF REJECTION 6550 BTU / hr [AT 90°F (32°C) / WT 70°F (21°C)]

Note: Pressure data is recorded at 5 minutes into freezing cycle.
The data not in **bold** should be used for reference only.

We reserve the right to make changes in specifications and design without prior notice.

[d] KML-350MWF

APPROXIMATE ICE PRODUCTION PER 24 HR.	AMBIENT TEMP. (°F/°C)	WATER TEMP. (°F/°C)					
		50/10		70/21		90/32	
	70/21	*358	<u>162</u>	349	<u>158</u>	324	<u>147</u>
	80/27	351	<u>159</u>	336	<u>153</u>	305	<u>139</u>
	90/32	349	<u>158</u>	*326	<u>148</u>	297	<u>135</u>
lbs./day <u>kg./day</u>	100/38	340	<u>154</u>	319	<u>145</u>	271	<u>123</u>
APPROXIMATE ELECTRIC CONSUMPTION	70/21	*880		881		882	
	80/27	881		882		883	
	90/32	881		*883		884	
watts	100/38	881		883		885	
APPROXIMATE WATER CONSUMPTION PER 24 HR.	70/21	*358	<u>1.36</u>	416	<u>1.58</u>	547	<u>2.07</u>
	80/27	402	<u>1.52</u>	507	<u>1.92</u>	652	<u>2.47</u>
	90/32	620	<u>2.35</u>	*555	<u>2.10</u>	706	<u>2.67</u>
gal./day <u>m³/day</u>	100/38	656	<u>2.48</u>	591	<u>2.24</u>	845	<u>3.20</u>
FREEZING CYCLE TIME	70/21	*28		29		31	
	80/27	29		30		33	
	90/32	29		*31		34	
min.	100/38	30		32		37	
HARVEST CYCLE TIME	70/21	*2.8		2.6		2.5	
	80/27	2.6		2.3		2.3	
	90/32	2.6		*2.0		2.0	
min.	100/38	2.6		2.0		2	
HEAD PRESSURE	70/21	*280	<u>19.7</u>	280	<u>19.7</u>	284	<u>20.0</u>
	80/27	280	<u>19.7</u>	280	<u>19.7</u>	286	<u>20.1</u>
	90/32	280	<u>19.7</u>	*280	<u>19.7</u>	290	<u>20.4</u>
PSIG <u>kg/cm²G</u>	100/38	282	<u>19.8</u>	284	<u>20.0</u>	290	<u>20.4</u>
SUCTION PRESSURE	70/21	*57	<u>4.0</u>	58	<u>4.0</u>	58	<u>4.1</u>
	80/27	57	<u>4.0</u>	58	<u>4.1</u>	59	<u>4.1</u>
	90/32	58	<u>4.0</u>	*59	<u>4.1</u>	60	<u>4.2</u>
PSIG <u>kg/cm²G</u>	100/38	58	<u>4.1</u>	59	<u>4.2</u>	60	<u>4.2</u>

TOTAL HEAT OF REJECTION FROM CONDENSER	5370 BTU/h [AT 90°F (32°C) / WT 70°F (21°C)]
TOTAL HEAT OF REJECTION FROM COMPRESSOR	1105 BTU/h [AT 90°F (32°C) / WT 70°F (21°C)]
WATER FLOW FOR CONDENSER	32 gal. / h (AT 100°F (38°C) / WT 90°F (32°C))
PRESSURE DROP OF COOLING WATER LINE	less than 10 PSIG

Note: Pressure data is recorded at 5 minutes into freezing cycle.

The data not with * should be used for reference only.

* We reserve the right to make changes in specifications and design without prior notice.

[e] KML-350MAH

APPROXIMATE ICE PRODUCTION PER 24 HR.	AMBIENT TEMP. (°F/°C)	WATER TEMP. (°F/°C)					
		50/10		70/21		90/32	
	70/21	350	<u>159</u>	336	<u>152</u>	309	<u>140</u>
	80/27	339	<u>154</u>	317	<u>144</u>	287	<u>130</u>
	90/32	336	<u>152</u>	301	<u>137</u>	272	<u>123</u>
lbs./day <u>kg./day</u>	100/38	328	<u>149</u>	294	<u>133</u>	245	<u>111</u>
APPROXIMATE ELECTRIC CONSUMPTION	70/21	802		846		875	
	80/27	836		905		916	
	90/32	846		953		972	
	watts	100/38		910		958	
APPROXIMATE WATER CONSUMPTION PER 24 HR.	70/21	170	<u>0.64</u>	143	<u>0.54</u>	129	<u>0.49</u>
	80/27	149	<u>0.56</u>	107	<u>0.40</u>	107	<u>0.40</u>
	90/32	143	<u>0.54</u>	77	<u>0.29</u>	71	<u>0.27</u>
	gal./day <u>m³/day</u>	100/38	140	<u>0.53</u>	75	<u>0.29</u>	65
FREEZING CYCLE TIME	70/21	25		27		30	
	80/27	26		29		33	
	90/32	27		31		35	
	min.	100/38		28		32	
HARVEST CYCLE TIME	70/21	4.0		3.4		3.2	
	80/27	3.6		2.6		2.8	
	90/32	3.4		2.0		2.0	
	min.	100/38		2.6		2.0	
HEAD PRESSURE	70/21	240	<u>16.9</u>	261	<u>18.3</u>	285	<u>20.0</u>
	80/27	256	<u>18.0</u>	288	<u>20.2</u>	310	<u>21.8</u>
	90/32	261	<u>18.3</u>	310	<u>21.8</u>	333	<u>23.4</u>
	PSIG <u>kg/cm²G</u>	100/38	284	<u>20.0</u>	315	<u>22.2</u>	355
SUCTION PRESSURE	70/21	48	<u>3.4</u>	50	<u>3.5</u>	53	<u>3.8</u>
	80/27	50	<u>3.5</u>	53	<u>3.7</u>	56	<u>4.0</u>
	90/32	50	<u>3.5</u>	55	<u>3.9</u>	59	<u>4.1</u>
	PSIG <u>kg/cm²G</u>	100/38	51	<u>3.6</u>	56	<u>3.9</u>	62

TOTAL HEAT OF REJECTION

6550 BTU / hr [AT 90°F (32°C) / WT 70°F (21°C)]

Note: Pressure data is recorded at 5 minutes into freezing cycle.

The data not in **bold** should be used for reference only.

We reserve the right to make changes in specifications and design without prior notice.

[f] KML-350MWH (Serial #L00001J through M20060C)

APPROXIMATE ICE PRODUCTION PER 24 HR.	AMBIENT TEMP. (°F/°C)	WATER TEMP. (°F/°C)					
		50/10		70/21		90/32	
	70/21	*358	<u>162</u>	349	<u>158</u>	324	<u>147</u>
	80/27	351	<u>159</u>	336	<u>153</u>	305	<u>139</u>
	90/32	349	<u>158</u>	*326	<u>148</u>	297	<u>135</u>
lbs./day kg./day	100/38	340	<u>154</u>	319	<u>145</u>	271	<u>123</u>
APPROXIMATE ELECTRIC CONSUMPTION	70/21	*880		881		882	
	80/27	881		882		883	
	90/32	881		*883		884	
watts	100/38	881		883		885	
APPROXIMATE WATER CONSUMPTION PER 24 HR.	70/21	*358	<u>1.36</u>	416	<u>1.58</u>	547	<u>2.07</u>
	80/27	402	<u>1.52</u>	507	<u>1.92</u>	652	<u>2.47</u>
	90/32	620	<u>2.35</u>	*555	<u>2.10</u>	706	<u>2.67</u>
gal./day m ³ /day	100/38	656	<u>2.48</u>	591	<u>2.24</u>	845	<u>3.20</u>
FREEZING CYCLE TIME	70/21	*28		29		31	
	80/27	29		30		33	
	90/32	29		*31		34	
min.	100/38	30		32		37	
HARVEST CYCLE TIME	70/21	*2.8		2.6		2.5	
	80/27	2.6		2.3		2.3	
	90/32	2.6		*2.0		2.0	
min.	100/38	2.6		2.0		2.0	
HEAD PRESSURE	70/21	*280	<u>19.7</u>	280	<u>19.7</u>	284	<u>20.0</u>
	80/27	280	<u>19.7</u>	280	<u>19.7</u>	286	<u>20.1</u>
	90/32	280	<u>19.7</u>	*280	<u>19.7</u>	290	<u>20.4</u>
PSIG kg/cm ² G	100/38	282	<u>19.8</u>	284	<u>20.0</u>	290	<u>20.4</u>
SUCTION PRESSURE	70/21	*57	<u>4.0</u>	58	<u>4.0</u>	58	<u>4.1</u>
	80/27	57	<u>4.0</u>	58	<u>4.1</u>	59	<u>4.1</u>
	90/32	58	<u>4.0</u>	*59	<u>4.1</u>	60	<u>4.2</u>
PSIG kg/cm ² G	100/38	58	<u>4.1</u>	59	<u>4.2</u>	60	<u>4.2</u>

TOTAL HEAT OF REJECTION FROM CONDENSER 5370 BTU/h [AT 90°F (32°C) / WT 70°F (21°C)]

TOTAL HEAT OF REJECTION FROM COMPRESSOR 1105 BTU/h [AT 90°F (32°C) / WT 70°F (21°C)]

WATER FLOW FOR CONDENSER 32 gal. / h (AT 100°F (38°C) / WT 90°F (32°C))

PRESSURE DROP OF COOLING WATER LINE less than 10 PSIG

Note: Pressure data is recorded at 5 minutes into freezing cycle.

The data not with * should be used for reference only.

We reserve the right to make changes in specifications and design without prior notice.

[g] KML-350MWH (Beginning Serial #M30061E)

APPROXIMATE ICE PRODUCTION PER 24 HR.	AMBIENT TEMP. (°F/°C)	WATER TEMP. (°F/°C)					
		50/10		70/21		90/32	
	70/21	*354	<u>161</u>	345	<u>157</u>	330	<u>149</u>
	80/27	347	<u>158</u>	334	<u>151</u>	316	<u>143</u>
	90/32	345	<u>157</u>	*324	<u>147</u>	307	<u>139</u>
lbs./day <u>kg./day</u>	100/38	341	<u>155</u>	320	<u>145</u>	291	<u>132</u>
APPROXIMATE ELECTRIC CONSUMPTION	70/21	*885		887		890	
	80/27	886		889		892	
	90/32	887		*891		894	
watts	100/38	888		892		897	
APPROXIMATE WATER CONSUMPTION PER 24 HR.	70/21	*397	<u>1.50</u>	424	<u>1.60</u>	546	<u>2.07</u>
	80/27	417	<u>1.58</u>	486	<u>1.84</u>	629	<u>2.38</u>
	90/32	424	<u>1.60</u>	*489	<u>1.85</u>	642	<u>2.43</u>
gal./day <u>m³/day</u>	100/38	477	<u>1.81</u>	525	<u>1.99</u>	782	<u>2.96</u>
FREEZING CYCLE TIME	70/21	*25		26		27	
	80/27	25		26		29	
	90/32	26		*27		29	
min.	100/38	26		27		31	
HARVEST CYCLE TIME	70/21	*3.1		2.8		2.7	
	80/27	2.9		2.4		2.4	
	90/32	2.8		*2.0		2.0	
min.	100/38	2.4		2.0		2.0	
HEAD PRESSURE	70/21	*280	<u>19.7</u>	280	<u>19.7</u>	284	<u>20.0</u>
	80/27	280	<u>19.7</u>	280	<u>19.7</u>	287	<u>20.2</u>
	90/32	280	<u>19.7</u>	*280	<u>19.7</u>	290	<u>20.4</u>
PSIG <u>kg/cm²G</u>	100/38	282	<u>19.8</u>	284	<u>20.0</u>	291	<u>20.5</u>
SUCTION PRESSURE	70/21	*54	<u>3.8</u>	55	<u>3.9</u>	56	<u>3.9</u>
	80/27	55	<u>3.8</u>	56	<u>3.9</u>	57	<u>4.0</u>
	90/32	55	<u>3.9</u>	*57	<u>4.0</u>	58	<u>4.1</u>
PSIG <u>kg/cm²G</u>	100/38	55	<u>3.9</u>	57	<u>4.0</u>	59	<u>4.1</u>

TOTAL HEAT OF REJECTION FROM CONDENSER 5600 BTU/h [AT 90°F (32°C) / WT 70°F (21°C)]

TOTAL HEAT OF REJECTION FROM COMPRESSOR 1160 BTU/h [AT 90°F (32°C) / WT 70°F (21°C)]

WATER FLOW FOR CONDENSER 29 gal. / h (AT 100°F (38°C) / WT 90°F (32°C))

PRESSURE DROP OF COOLING WATER LINE less than 10 PSIG

Note: Pressure data is recorded at 5 minutes into freezing cycle.

The data not with * should be used for reference only.

We reserve the right to make changes in specifications and design without prior notice.

[h] KML-450MAF

APPROXIMATE ICE PRODUCTION PER 24 HR.	AMBIENT TEMP. (°F/°C)	WATER TEMP. (°F/°C)					
		50/10		70/21		90/32	
lbs./day <u>kg./day</u>	70/21	432	<u>196</u>	400	<u>182</u>	381	<u>173</u>
	80/27	408	<u>185</u>	359	<u>163</u>	353	<u>160</u>
	90/32	400	<u>182</u>	324	<u>147</u>	313	<u>142</u>
	100/38	390	<u>177</u>	321	<u>146</u>	302	<u>137</u>
APPROXIMATE ELECTRIC CONSUMPTION watts	70/21	1062		1095		1119	
	80/27	1087		1138		1150	
	90/32	1095		1175		1192	
	100/38	1100		1179		1208	
APPROXIMATE WATER CONSUMPTION PER 24 HR. gal./day <u>m³/day</u>	70/21	172	<u>0.65</u>	148	<u>0.56</u>	139	<u>0.53</u>
	80/27	154	<u>0.58</u>	117	<u>0.44</u>	121	<u>0.46</u>
	90/32	148	<u>0.56</u>	92	<u>0.35</u>	89	<u>0.34</u>
	100/38	144	<u>0.55</u>	91	<u>0.35</u>	87	<u>0.33</u>
FREEZING CYCLE TIME min.	70/21	20		22		23	
	80/27	21		24		25	
	90/32	22		26		27	
	100/38	23		26		28	
HARVEST CYCLE TIME min.	70/21	3.0		2.7		2.6	
	80/27	2.8		2.3		2.4	
	90/32	2.7		2.0		2.0	
	100/38	2.6		2.0		2.0	
HEAD PRESSURE PSIG <u>kg/cm²G</u>	70/21	250	<u>17.6</u>	276	<u>19.4</u>	293	<u>20.6</u>
	80/27	270	<u>19.0</u>	311	<u>21.9</u>	316	<u>22.3</u>
	90/32	276	<u>19.4</u>	340	<u>23.9</u>	350	<u>24.6</u>
	100/38	284	<u>20.0</u>	342	<u>24.1</u>	360	<u>25.3</u>
SUCTION PRESSURE PSIG <u>kg/cm²G</u>	70/21	42	<u>3.0</u>	46	<u>3.2</u>	49	<u>3.4</u>
	80/27	45	<u>3.2</u>	52	<u>3.6</u>	52	<u>3.7</u>
	90/32	46	<u>3.2</u>	56	<u>3.9</u>	58	<u>4.0</u>
	100/38	46	<u>3.2</u>	56	<u>4.0</u>	59	<u>4.1</u>

TOTAL HEAT OF REJECTION 7480 BTU/h [AT 90°F (32°C) / WT 70°F (21°C)]

Note: Pressure data is recorded at 5 minutes into freezing cycle.
The data not in **bold** should be used for reference only.

* We reserve the right to make changes in specifications and design without prior notice.

[i] KML-450MWF

APPROXIMATE ICE PRODUCTION PER 24 HR.	AMBIENT TEMP. (°F/°C)	WATER TEMP. (°F/°C)					
		50/10		70/21		90/32	
	70/21	*447	<u>203</u>	430	<u>195</u>	406	<u>184</u>
	80/27	434	<u>197</u>	408	<u>185</u>	384	<u>174</u>
	90/32	430	<u>195</u>	*390	<u>177</u>	365	<u>166</u>
lbs./day <u>kg./day</u>	100/38	425	<u>193</u>	384	<u>174</u>	*342	<u>155</u>
APPROXIMATE ELECTRIC CONSUMPTION	70/21	*1043		1047		1070	
	80/27	1046		1052		1084	
	90/32	1047		*1056		1085	
watts	100/38	1057		1063		*1112	
APPROXIMATE WATER CONSUMPTION PER 24 HR.	70/21	*561	<u>2.12</u>	633	<u>2.40</u>	860	<u>3.26</u>
	80/27	616	<u>2.33</u>	751	<u>2.84</u>	1026	<u>3.88</u>
	90/32	925	<u>3.50</u>	*808	<u>3.06</u>	1081	<u>4.09</u>
gal./day <u>m³/day</u>	100/38	1034	<u>3.91</u>	1120	<u>4.24</u>	*1331	<u>5.04</u>
FREEZING CYCLE TIME	70/21	*19		24		28	
	80/27	23		31		32	
	90/32	24		*36		39	
min.	100/38	24		37		*41	
HARVEST CYCLE TIME	70/21	*2.8		2.6		2.5	
	80/27	2.6		2.3		2.3	
	90/32	2.6		*2.0		2.0	
min.	100/38	2.6		2.0		*2.0	
HEAD PRESSURE	70/21	*280	<u>19.7</u>	280	<u>19.7</u>	286	<u>20.1</u>
	80/27	280	<u>19.7</u>	280	<u>19.7</u>	289	<u>20.3</u>
	90/32	280	<u>19.7</u>	*280	<u>19.7</u>	290	<u>20.4</u>
PSIG <u>kg/cm²G</u>	100/38	283	<u>19.9</u>	284	<u>20.0</u>	295	<u>20.7</u>
SUCTION PRESSURE	70/21	*40	<u>2.8</u>	41	<u>2.9</u>	45	<u>3.2</u>
	80/27	41	<u>2.9</u>	43	<u>3.1</u>	48	<u>3.4</u>
	90/32	41	<u>2.9</u>	*45	<u>3.2</u>	50	<u>3.5</u>
PSIG <u>kg/cm²G</u>	100/38	43	<u>3.0</u>	46	<u>3.2</u>	*54	<u>3.8</u>

TOTAL HEAT OF REJECTION FROM CONDENSER 5750 BTU/h [AT 90°F (32°C) / WT 70°F (21°C)]

TOTAL HEAT OF REJECTION FROM COMPRESSOR 1350 BTU/h [AT 90°F (32°C) / WT 70°F (21°C)]

WATER FLOW FOR CONDENSER 52 gal. / h (AT 100°F (38°C) / WT 90°F (32°C))

PRESSURE DROP OF COOLING WATER LINE less than 10 PSIG

Note: Pressure data is recorded at 5 minutes into freezing cycle.

The data not with * should be used for reference only.

* We reserve the right to make changes in specifications and design without prior notice.

[j] KML-450MAH

APPROXIMATE ICE PRODUCTION PER 24 HR.	AMBIENT TEMP. (°F/°C)	WATER TEMP. (°F/°C)					
		50/10		70/21		90/32	
	70/21	432	<u>196</u>	400	<u>182</u>	381	<u>173</u>
	80/27	408	<u>185</u>	359	<u>163</u>	353	<u>160</u>
	90/32	400	<u>182</u>	324	<u>147</u>	313	<u>142</u>
lbs./day <u>kg./day</u>	100/38	390	<u>177</u>	321	<u>146</u>	302	<u>137</u>
APPROXIMATE ELECTRIC CONSUMPTION	70/21	1062		1095		1119	
	80/27	1087		1138		1150	
	90/32	1095		1175		1192	
watts	100/38	1100		1179		1208	
APPROXIMATE WATER CONSUMPTION PER 24 HR.	70/21	172	<u>0.65</u>	148	<u>0.56</u>	139	<u>0.53</u>
	80/27	154	<u>0.58</u>	117	<u>0.44</u>	121	<u>0.46</u>
	90/32	148	<u>0.56</u>	92	<u>0.35</u>	89	<u>0.34</u>
gal./day <u>m³/day</u>	100/38	144	<u>0.55</u>	91	<u>0.35</u>	87	<u>0.33</u>
FREEZING CYCLE TIME	70/21	20		22		23	
	80/27	21		24		25	
	90/32	22		26		27	
min.	100/38	23		26		28	
HARVEST CYCLE TIME	70/21	3.0		2.7		2.6	
	80/27	2.8		2.3		2.4	
	90/32	2.7		2.0		2.0	
min.	100/38	2.6		2.0		2.0	
HEAD PRESSURE	70/21	250	<u>17.6</u>	276	<u>19.4</u>	293	<u>20.6</u>
	80/27	270	<u>19.0</u>	311	<u>21.9</u>	316	<u>22.3</u>
	90/32	276	<u>19.4</u>	340	<u>23.9</u>	350	<u>24.6</u>
PSIG <u>kg/cm²G</u>	100/38	284	<u>20.0</u>	342	<u>24.1</u>	360	<u>25.3</u>
SUCTION PRESSURE	70/21	42	<u>3.0</u>	46	<u>3.2</u>	49	<u>3.4</u>
	80/27	45	<u>3.2</u>	52	<u>3.6</u>	52	<u>3.7</u>
	90/32	46	<u>3.2</u>	56	<u>3.9</u>	58	<u>4.0</u>
PSIG <u>kg/cm²G</u>	100/38	46	<u>3.2</u>	56	<u>4.0</u>	59	<u>4.1</u>

TOTAL HEAT OF REJECTION

7480 BTU/h [AT 90°F (32°C) / WT 70°F (21°C)]

Note: Pressure data is recorded at 5 minutes into freezing cycle.

The data not in **bold** should be used for reference only.

We reserve the right to make changes in specifications and design without prior notice.

[k] KML-450MWH (Serial #L00001D through M10530B)

APPROXIMATE ICE PRODUCTION PER 24 HR.	AMBIENT TEMP. (°F/°C)	WATER TEMP. (°F/°C)					
		50/10		70/21		90/32	
	70/21	*447	<u>203</u>	430	<u>195</u>	406	<u>184</u>
	80/27	434	<u>197</u>	408	<u>185</u>	384	<u>174</u>
	90/32	430	<u>195</u>	*390	<u>177</u>	365	<u>166</u>
lbs./day kg./day	100/38	425	<u>193</u>	384	<u>174</u>	*342	<u>155</u>
APPROXIMATE ELECTRIC CONSUMPTION	70/21	*1043		1047		1070	
	80/27	1046		1052		1084	
	90/32	1047		*1056		1085	
watts	100/38	1057		1063		*1112	
APPROXIMATE WATER CONSUMPTION PER 24 HR.	70/21	*561	<u>2.12</u>	633	<u>2.40</u>	860	<u>3.26</u>
	80/27	616	<u>2.33</u>	751	<u>2.84</u>	1026	<u>3.88</u>
	90/32	925	<u>3.50</u>	*808	<u>3.06</u>	1081	<u>4.09</u>
gal./day m ³ /day	100/38	1034	<u>3.91</u>	1120	<u>4.24</u>	*1331	<u>5.04</u>
FREEZING CYCLE TIME	70/21	*19		24		28	
	80/27	23		31		32	
	90/32	24		*36		39	
min.	100/38	24		37		*41	
HARVEST CYCLE TIME	70/21	*2.8		2.6		2.5	
	80/27	2.6		2.3		2.3	
	90/32	2.6		*2.0		2.0	
min.	100/38	2.6		2.0		*2.0	
HEAD PRESSURE	70/21	*280	<u>19.7</u>	280	<u>19.7</u>	286	<u>20.1</u>
	80/27	280	<u>19.7</u>	280	<u>19.7</u>	289	<u>20.3</u>
	90/32	280	<u>19.7</u>	*280	<u>19.7</u>	290	<u>20.4</u>
PSIG kg/cm ² G	100/38	283	<u>19.9</u>	284	<u>20.0</u>	295	<u>20.7</u>
SUCTION PRESSURE	70/21	*40	<u>2.8</u>	41	<u>2.9</u>	45	<u>3.2</u>
	80/27	41	<u>2.9</u>	43	<u>3.1</u>	48	<u>3.4</u>
	90/32	41	<u>2.9</u>	*45	<u>3.2</u>	50	<u>3.5</u>
PSIG kg/cm ² G	100/38	43	<u>3.0</u>	46	<u>3.2</u>	*54	<u>3.8</u>

TOTAL HEAT OF REJECTION FROM CONDENSER	5750 BTU/h [AT 90°F (32°C) / WT 70°F (21°C)]
TOTAL HEAT OF REJECTION FROM COMPRESSOR	1350 BTU/h [AT 90°F (32°C) / WT 70°F (21°C)]
WATER FLOW FOR CONDENSER	52 gal. / h (AT 100°F (38°C) / WT 90°F (32°C))
PRESSURE DROP OF COOLING WATER LINE	less than 10 PSIG

Note: Pressure data is recorded at 5 minutes into freezing cycle.

The data not with * should be used for reference only.

We reserve the right to make changes in specifications and design without prior notice.

[I] KML-450MWH (Beginning Serial #M20531D)

APPROXIMATE ICE PRODUCTION PER 24 HR.	AMBIENT TEMP. (°F/°C)	WATER TEMP. (°F/°C)					
		50/10		70/21		90/32	
	70/21	*433	<u>196</u>	426	<u>193</u>	402	<u>182</u>
	80/27	428	<u>194</u>	417	<u>189</u>	385	<u>175</u>
	90/32	426	<u>193</u>	*409	<u>186</u>	380	<u>173</u>
lbs./day <u>kg./day</u>	100/38	417	<u>189</u>	402	<u>182</u>	*354	<u>161</u>
APPROXIMATE ELECTRIC CONSUMPTION	70/21	*1064		1068		1075	
	80/27	1067		1074		1081	
	90/32	1068		*1078		1085	
watts	100/38	1070		1080		*1092	
APPROXIMATE WATER CONSUMPTION PER 24 HR.	70/21	*547	<u>2.07</u>	600	<u>2.27</u>	785	<u>2.97</u>
	80/27	587	<u>2.22</u>	705	<u>2.67</u>	917	<u>3.47</u>
	90/32	600	<u>2.27</u>	*728	<u>2.76</u>	953	<u>3.61</u>
gal./day <u>m³/day</u>	100/38	728	<u>2.76</u>	953	<u>3.61</u>	*1160	<u>4.39</u>
FREEZING CYCLE TIME	70/21	*20		21		22	
	80/27	20		21		23	
	90/32	21		*22		24	
min.	100/38	21		22		*25	
HARVEST CYCLE TIME	70/21	*3.5		3.1		2.9	
	80/27	3.2		2.5		2.6	
	90/32	3.1		*2.0		2.0	
min.	100/38	3.2		2.0		*2.0	
HEAD PRESSURE	70/21	*280	<u>19.7</u>	280	<u>19.7</u>	286	<u>20.1</u>
	80/27	280	<u>19.7</u>	280	<u>19.7</u>	289	<u>20.3</u>
	90/32	280	<u>19.7</u>	*280	<u>19.7</u>	290	<u>20.4</u>
PSIG <u>kg/cm²G</u>	100/38	283	<u>19.9</u>	284	<u>20.0</u>	295	<u>20.7</u>
SUCTION PRESSURE	70/21	*47	<u>3.3</u>	48	<u>3.3</u>	52	<u>3.7</u>
	80/27	47	<u>3.3</u>	48	<u>3.4</u>	55	<u>3.9</u>
	90/32	48	<u>3.3</u>	*49	<u>3.4</u>	55	<u>3.8</u>
PSIG <u>kg/cm²G</u>	100/38	50	<u>3.5</u>	50	<u>3.5</u>	*60	<u>4.2</u>

TOTAL HEAT OF REJECTION FROM CONDENSER 6180 BTU/h [AT 90°F (32°C) / WT 70°F (21°C)]

TOTAL HEAT OF REJECTION FROM COMPRESSOR 1320 BTU/h [AT 90°F (32°C) / WT 70°F (21°C)]

WATER FLOW FOR CONDENSER 44 gal. / h (AT 100°F (38°C) / WT 90°F (32°C))

PRESSURE DROP OF COOLING WATER LINE less than 10 PSIG

Note: Pressure data is recorded at 5 minutes into freezing cycle.

The data not with * should be used for reference only.

We reserve the right to make changes in specifications and design without prior notice.

[m] KML-600MAF

APPROXIMATE ICE PRODUCTION PER 24 HR.	AMBIENT TEMP. (°F/°C)	WATER TEMP. (°F/°C)					
		50/10		70/21		90/32	
lbs./day <u>kg./day</u>	70/21	631	<u>286</u>	596	<u>271</u>	542	<u>246</u>
	80/27	605	<u>274</u>	551	<u>250</u>	492	<u>223</u>
	90/32	575	<u>261</u>	513	<u>233</u>	455	<u>206</u>
	100/38	540	<u>245</u>	499	<u>226</u>	401	<u>182</u>
APPROXIMATE ELECTRIC CONSUMPTION watts	70/21	1395		1424		1457	
	80/27	1417		1463		1492	
	90/32	1424		1495		1526	
	100/38	1450		1502		1555	
APPROXIMATE WATER CONSUMPTION PER 24 HR. gal./day <u>m³/day</u>	70/21	301	<u>1.14</u>	258	<u>0.98</u>	233	<u>0.88</u>
	80/27	268	<u>1.02</u>	201	<u>0.76</u>	195	<u>0.74</u>
	90/32	258	<u>0.98</u>	154	<u>0.58</u>	139	<u>0.53</u>
	100/38	250	<u>0.95</u>	151	<u>0.57</u>	126	<u>0.48</u>
FREEZING CYCLE TIME min.	70/21	20		21		24	
	80/27	21		23		26	
	90/32	22		24		27	
	100/38	24		25		30	
HARVEST CYCLE TIME min.	70/21	3.5		3.1		2.9	
	80/27	3.2		2.5		2.6	
	90/32	2.9		2.0		2.0	
	100/38	2.5		2.0		2.0	
HEAD PRESSURE PSIG <u>kg/cm²G</u>	70/21	250	<u>17.6</u>	271	<u>19.0</u>	302	<u>21.3</u>
	80/27	266	<u>18.7</u>	298	<u>20.9</u>	332	<u>23.3</u>
	90/32	280	<u>19.7</u>	320	<u>22.5</u>	354	<u>24.9</u>
	100/38	310	<u>21.8</u>	328	<u>23.1</u>	385	<u>27.1</u>
SUCTION PRESSURE PSIG <u>kg/cm²G</u>	70/21	38	<u>2.7</u>	41	<u>2.9</u>	47	<u>3.3</u>
	80/27	40	<u>2.8</u>	45	<u>3.1</u>	51	<u>3.6</u>
	90/32	41	<u>2.9</u>	48	<u>3.4</u>	54	<u>3.8</u>
	100/38	43	<u>3.0</u>	49	<u>3.5</u>	60	<u>4.2</u>

TOTAL HEAT OF REJECTION FROM CONDENSER 11580 BTU/h [AT 90°F (32°C) / WT 70°F (21°C)]

Note: Pressure data is recorded at 5 minutes into freezing cycle.

The data not in **bold** should be used for reference only.

* We reserve the right to make changes in specifications and design without prior notice.

[n] KML-600MWF

APPROXIMATE ICE PRODUCTION PER 24 HR.	AMBIENT TEMP. (°F/°C)	WATER TEMP. (°F/°C)					
		50/10		70/21		90/32	
	70/21	572	<u>259</u>	547	<u>248</u>	534	<u>242</u>
	80/27	553	<u>251</u>	515	<u>234</u>	513	<u>233</u>
	90/32	547	<u>248</u>	488	<u>221</u>	481	<u>218</u>
lbs./day <u>kg./day</u>	100/38	535	<u>243</u>	486	<u>221</u>	475	<u>215</u>
APPROXIMATE ELECTRIC CONSUMPTION	70/21	1382		1385		1407	
	80/27	1384		1388		1420	
	90/32	1385		1390		1419	
watts	100/38	1395		1397		1445	
APPROXIMATE WATER CONSUMPTION PER 24 HR.	70/21	738	<u>2.79</u>	781	<u>2.96</u>	990	<u>3.75</u>
	80/27	771	<u>2.92</u>	839	<u>3.18</u>	1130	<u>4.28</u>
	90/32	781	<u>2.96</u>	887	<u>3.36</u>	1148	<u>4.34</u>
gal./day <u>m³/day</u>	100/38	873	<u>3.31</u>	948	<u>3.59</u>	1387	<u>5.25</u>
FREEZING CYCLE TIME	70/21	21		22		23	
	80/27	21		22		24	
	90/32	22		23		25	
min.	100/38	22		23		26	
HARVEST CYCLE TIME	70/21	3.9		3.5		3.2	
	80/27	3.6		2.9		2.8	
	90/32	3.5		2.5		2.2	
min.	100/38	3.5		2.4		2.0	
HEAD PRESSURE	70/21	270	<u>19.0</u>	272	<u>19.1</u>	280	<u>19.7</u>
	80/27	272	<u>19.1</u>	275	<u>19.4</u>	285	<u>20.0</u>
	90/32	272	<u>19.1</u>	278	<u>19.5</u>	287	<u>20.2</u>
PSIG <u>kg/cm²G</u>	100/38	275	<u>19.4</u>	280	<u>19.7</u>	295	<u>20.7</u>
SUCTION PRESSURE	70/21	35	<u>2.5</u>	36	<u>2.5</u>	42	<u>3.0</u>
	80/27	36	<u>2.5</u>	37	<u>2.6</u>	46	<u>3.2</u>
	90/32	36	<u>2.5</u>	38	<u>2.7</u>	46	<u>3.2</u>
PSIG <u>kg/cm²G</u>	100/38	39	<u>2.7</u>	40	<u>2.8</u>	53	<u>3.7</u>

TOTAL HEAT OF REJECTION FROM CONDENSER 9700 BTU/h [AT 90°F (32°C) / WT 70°F (21°C)]

TOTAL HEAT OF REJECTION FROM COMPRESSOR 1785 BTU/h [AT 90°F (32°C) / WT 70°F (21°C)]

WATER FLOW FOR CONDENSER 52 gal. / h (AT 100°F (38°C) / WT 90°F (32°C))

PRESSURE DROP OF COOLING WATER LINE less than 10 PSIG

Note: Pressure data is recorded at 5 minutes into freezing cycle.

The data not in **bold** should be used for reference only.

* We reserve the right to make changes in specifications and design without prior notice.

[o] KML-600MRF

APPROXIMATE ICE PRODUCTION PER 24 HR.	AMBIENT TEMP. (°F/°C)	WATER TEMP. (°F/°C)					
		50/10		70/21		90/32	
lbs./day <u>kg./day</u>	70/21	635	<u>288</u>	610	<u>277</u>	574	<u>260</u>
	80/27	616	<u>279</u>	577	<u>262</u>	540	<u>245</u>
	90/32	610	<u>277</u>	550	<u>249</u>	512	<u>232</u>
	100/38	602	<u>273</u>	541	<u>245</u>	478	<u>217</u>
APPROXIMATE ELECTRIC CONSUMPTION watts	70/21	1455		1476		1493	
	80/27	1471		1504		1515	
	90/32	1476		1527		1541	
	100/38	1480		1530		1554	
APPROXIMATE WATER CONSUMPTION PER 24 HR. gal./day <u>m³/day</u>	70/21	336	<u>1.27</u>	301	<u>1.14</u>	267	<u>1.01</u>
	80/27	309	<u>1.17</u>	254	<u>0.96</u>	229	<u>0.87</u>
	90/32	301	<u>1.14</u>	215	<u>0.81</u>	186	<u>0.70</u>
	100/38	299	<u>1.13</u>	208	<u>0.79</u>	159	<u>0.60</u>
FREEZING CYCLE TIME min.	70/21	20		20		21	
	80/27	20		21		23	
	90/32	20		21		23	
	100/38	21		21		25	
HARVEST CYCLE TIME min.	70/21	3.5		3.2		2.9	
	80/27	3.3		2.8		2.6	
	90/32	3.2		2.5		2.2	
	100/38	3.2		2.4		2.0	
HEAD PRESSURE PSIG <u>kg/cm²G</u>	70/21	220	<u>15.5</u>	232	<u>16.3</u>	255	<u>17.9</u>
	80/27	229	<u>16.1</u>	247	<u>17.4</u>	274	<u>19.3</u>
	90/32	232	<u>16.3</u>	260	<u>18.3</u>	286	<u>20.1</u>
	100/38	239	<u>16.8</u>	266	<u>18.7</u>	310	<u>21.8</u>
SUCTION PRESSURE PSIG <u>kg/cm²G</u>	70/21	32	<u>2.2</u>	35	<u>2.5</u>	41	<u>2.9</u>
	80/27	34	<u>2.4</u>	39	<u>2.7</u>	46	<u>3.2</u>
	90/32	35	<u>2.5</u>	42	<u>3.0</u>	49	<u>3.4</u>
	100/38	37	<u>2.6</u>	44	<u>3.1</u>	55	<u>3.9</u>

TOTAL HEAT OF REJECTION FROM CONDENSER 9650 BTU/h [AT 90°F (32°C) / WT 70°F (21°C)]

TOTAL HEAT OF REJECTION FROM COMPRESSOR 1750 BTU/h [AT 90°F (32°C) / WT 70°F (21°C)]

CONDENSER VOLUME 141 CU. IN (URC-7F)

Note: Pressure data is recorded at 5 minutes into freezing cycle.

The data not in **bold** should be used for reference only.

* We reserve the right to make changes in specifications and design without prior notice.

[p] KML-600MAH

APPROXIMATE ICE PRODUCTION PER 24 HR.	AMBIENT TEMP. (°F/°C)	WATER TEMP. (°F/°C)					
		50/10		70/21		90/32	
	70/21	631	<u>286</u>	596	<u>271</u>	542	<u>246</u>
	80/27	605	<u>274</u>	551	<u>250</u>	492	<u>223</u>
	90/32	575	<u>261</u>	513	<u>233</u>	455	<u>206</u>
lbs./day <u>kg./day</u>	100/38	540	<u>245</u>	499	<u>226</u>	401	<u>182</u>
APPROXIMATE ELECTRIC CONSUMPTION	70/21	1395		1424		1457	
	80/27	1417		1463		1492	
	90/32	1424		1495		1526	
watts	100/38	1450		1502		1555	
APPROXIMATE WATER CONSUMPTION PER 24 HR.	70/21	301	<u>1.14</u>	258	<u>0.98</u>	233	<u>0.88</u>
	80/27	268	<u>1.02</u>	201	<u>0.76</u>	195	<u>0.74</u>
	90/32	258	<u>0.98</u>	154	<u>0.58</u>	139	<u>0.53</u>
gal./day <u>m³/day</u>	100/38	250	<u>0.95</u>	151	<u>0.57</u>	126	<u>0.48</u>
FREEZING CYCLE TIME	70/21	20		21		24	
	80/27	21		23		26	
	90/32	22		24		27	
min.	100/38	24		25		30	
HARVEST CYCLE TIME	70/21	3.5		3.1		2.9	
	80/27	3.2		2.5		2.6	
	90/32	2.9		2.0		2.0	
min.	100/38	2.5		2.0		2.0	
HEAD PRESSURE	70/21	250	<u>17.6</u>	271	<u>19.0</u>	302	<u>21.3</u>
	80/27	266	<u>18.7</u>	298	<u>20.9</u>	332	<u>23.3</u>
	90/32	280	<u>19.7</u>	320	<u>22.5</u>	354	<u>24.9</u>
PSIG <u>kg/cm²G</u>	100/38	310	<u>21.8</u>	328	<u>23.1</u>	385	<u>27.1</u>
SUCTION PRESSURE	70/21	38	<u>2.7</u>	41	<u>2.9</u>	47	<u>3.3</u>
	80/27	40	<u>2.8</u>	45	<u>3.1</u>	51	<u>3.6</u>
	90/32	41	<u>2.9</u>	48	<u>3.4</u>	54	<u>3.8</u>
PSIG <u>kg/cm²G</u>	100/38	43	<u>3.0</u>	49	<u>3.5</u>	60	<u>4.2</u>

TOTAL HEAT OF REJECTION FROM CONDENSER 11580 BTU/h [AT 90°F (32°C) / WT 70°F (21°C)]

Note: Pressure data is recorded at 5 minutes into freezing cycle.

The data not in **bold** should be used for reference only.

We reserve the right to make changes in specifications and design without prior notice.

[q] KML-600MWH (Serial #L00001D through Serial #M10115C)

APPROXIMATE ICE PRODUCTION PER 24 HR.	AMBIENT TEMP. (°F/°C)	WATER TEMP. (°F/°C)					
		50/10		70/21		90/32	
	70/21	572	<u>259</u>	547	<u>248</u>	534	<u>242</u>
	80/27	553	<u>251</u>	515	<u>234</u>	513	<u>233</u>
	90/32	547	<u>248</u>	488	<u>221</u>	481	<u>218</u>
lbs./day <u>kg./day</u>	100/38	535	<u>243</u>	486	<u>221</u>	475	<u>215</u>
APPROXIMATE ELECTRIC CONSUMPTION	70/21	1382		1385		1407	
	80/27	1384		1388		1420	
	90/32	1385		1390		1419	
watts	100/38	1395		1397		1445	
APPROXIMATE WATER CONSUMPTION PER 24 HR.	70/21	738	<u>2.79</u>	781	<u>2.96</u>	990	<u>3.75</u>
	80/27	771	<u>2.92</u>	839	<u>3.18</u>	1130	<u>4.28</u>
	90/32	781	<u>2.96</u>	887	<u>3.36</u>	1148	<u>4.34</u>
gal./day <u>m³/day</u>	100/38	873	<u>3.31</u>	948	<u>3.59</u>	1387	<u>5.25</u>
FREEZING CYCLE TIME	70/21	21		22		23	
	80/27	21		22		24	
	90/32	22		23		25	
min.	100/38	22		23		26	
HARVEST CYCLE TIME	70/21	3.9		3.5		3.2	
	80/27	3.6		2.9		2.8	
	90/32	3.5		2.5		2.2	
min.	100/38	3.5		2.4		2.0	
HEAD PRESSURE	70/21	270	<u>19.0</u>	272	<u>19.1</u>	280	<u>19.7</u>
	80/27	272	<u>19.1</u>	275	<u>19.4</u>	285	<u>20.0</u>
	90/32	272	<u>19.1</u>	278	<u>19.5</u>	287	<u>20.2</u>
PSIG <u>kg/cm²G</u>	100/38	275	<u>19.4</u>	280	<u>19.7</u>	295	<u>20.7</u>
SUCTION PRESSURE	70/21	35	<u>2.5</u>	36	<u>2.5</u>	42	<u>3.0</u>
	80/27	36	<u>2.5</u>	37	<u>2.6</u>	46	<u>3.2</u>
	90/32	36	<u>2.5</u>	38	<u>2.7</u>	46	<u>3.2</u>
PSIG <u>kg/cm²G</u>	100/38	39	<u>2.7</u>	40	<u>2.8</u>	53	<u>3.7</u>

TOTAL HEAT OF REJECTION FROM CONDENSER 9700 BTU/h [AT 90°F (32°C) / WT 70°F (21°C)]

TOTAL HEAT OF REJECTION FROM COMPRESSOR 1785 BTU/h [AT 90°F (32°C) / WT 70°F (21°C)]

WATER FLOW FOR CONDENSER 52 gal. / h (AT 100°F (38°C) / WT 90°F (32°C))

PRESSURE DROP OF COOLING WATER LINE less than 10 PSIG

Note: Pressure data is recorded at 5 minutes into freezing cycle.

The data not in **bold** should be used for reference only.

We reserve the right to make changes in specifications and design without prior notice.

[r] KML-600MWH (Beginning Serial #M10121E)

APPROXIMATE ICE PRODUCTION PER 24 HR.	AMBIENT TEMP. (°F/°C)	WATER TEMP. (°F/°C)					
		50/10		70/21		90/32	
	70/21	602	<u>273</u>	586	<u>266</u>	559	<u>254</u>
	80/27	589	<u>267</u>	564	<u>256</u>	536	<u>243</u>
	90/32	586	<u>266</u>	546	<u>248</u>	518	<u>235</u>
lbs./day <u>kg./day</u>	100/38	535	<u>243</u>	539	<u>245</u>	492	<u>223</u>
APPROXIMATE ELECTRIC CONSUMPTION	70/21	1304		1310		1323	
	80/27	1309		1318		1334	
	90/32	1310		1325		1340	
watts	100/38	1314		1328		1353	
APPROXIMATE WATER CONSUMPTION PER 24 HR.	70/21	602	<u>2.28</u>	636	<u>2.41</u>	777	<u>2.94</u>
	80/27	628	<u>2.38</u>	681	<u>2.58</u>	874	<u>3.31</u>
	90/32	636	<u>2.41</u>	719	<u>2.72</u>	893	<u>3.38</u>
gal./day <u>m³/day</u>	100/38	696	<u>2.63</u>	760	<u>2.88</u>	1052	<u>3.98</u>
FREEZING CYCLE TIME	70/21	21		22		23	
	80/27	21		22		24	
	90/32	22		23		25	
min.	100/38	22		23		26	
HARVEST CYCLE TIME	70/21	3.1		2.8		2.7	
	80/27	2.9		2.4		2.4	
	90/32	2.8		2.0		2.0	
min.	100/38	2.6		2.0		2.0	
HEAD PRESSURE	70/21	280	<u>19.7</u>	280	<u>19.7</u>	287	<u>20.2</u>
	80/27	280	<u>19.7</u>	280	<u>19.7</u>	291	<u>20.5</u>
	90/32	280	<u>19.7</u>	280	<u>19.7</u>	289	<u>20.3</u>
PSIG <u>kg/cm²G</u>	100/38	284	<u>20.0</u>	282	<u>19.8</u>	298	<u>21.0</u>
SUCTION PRESSURE	70/21	40	<u>2.8</u>	41	<u>2.9</u>	44	<u>3.1</u>
	80/27	40	<u>2.8</u>	41	<u>2.9</u>	46	<u>3.2</u>
	90/32	41	<u>2.9</u>	42	<u>3.0</u>	46	<u>3.2</u>
PSIG <u>kg/cm²G</u>	100/38	42	<u>3.0</u>	43	<u>3.0</u>	50	<u>3.5</u>

TOTAL HEAT OF REJECTION FROM CONDENSER 9850 BTU/h [AT 90°F (32°C) / WT 70°F (21°C)]

TOTAL HEAT OF REJECTION FROM COMPRESSOR 1820 BTU/h [AT 90°F (32°C) / WT 70°F (21°C)]

WATER FLOW FOR CONDENSER 38 gal. / h (AT 100°F (38°C) / WT 90°F (32°C))

PRESSURE DROP OF COOLING WATER LINE less than 10 PSIG

Note: Pressure data is recorded at 5 minutes into freezing cycle.

The data not in **bold** should be used for reference only.

We reserve the right to make changes in specifications and design without prior notice.

[s] KML-600MRH

APPROXIMATE ICE PRODUCTION PER 24 HR.	AMBIENT TEMP. (°F/°C)	WATER TEMP. (°F/°C)					
		50/10		70/21		90/32	
	70/21	635	<u>288</u>	610	<u>277</u>	574	<u>260</u>
	80/27	616	<u>279</u>	577	<u>262</u>	540	<u>245</u>
	90/32	610	<u>277</u>	550	<u>249</u>	512	<u>232</u>
lbs./day <u>kg./day</u>	100/38	602	<u>273</u>	541	<u>245</u>	478	<u>217</u>
APPROXIMATE ELECTRIC CONSUMPTION	70/21	1455		1476		1493	
	80/27	1471		1504		1515	
	90/32	1476		1527		1541	
watts	100/38	1480		1530		1554	
APPROXIMATE WATER CONSUMPTION PER 24 HR.	70/21	336	<u>1.27</u>	301	<u>1.14</u>	267	<u>1.01</u>
	80/27	309	<u>1.17</u>	254	<u>0.96</u>	229	<u>0.87</u>
	90/32	301	<u>1.14</u>	215	<u>0.81</u>	186	<u>0.70</u>
gal./day <u>m³/day</u>	100/38	299	<u>1.13</u>	208	<u>0.79</u>	159	<u>0.60</u>
FREEZING CYCLE TIME	70/21	20		20		21	
	80/27	20		21		23	
	90/32	20		21		23	
min.	100/38	21		21		25	
HARVEST CYCLE TIME	70/21	3.5		3.2		2.9	
	80/27	3.3		2.8		2.6	
	90/32	3.2		2.5		2.2	
min.	100/38	3.2		2.4		2.0	
HEAD PRESSURE	70/21	220	<u>15.5</u>	232	<u>16.3</u>	255	<u>17.9</u>
	80/27	229	<u>16.1</u>	247	<u>17.4</u>	274	<u>19.3</u>
	90/32	232	<u>16.3</u>	260	<u>18.3</u>	286	<u>20.1</u>
PSIG <u>kg/cm²G</u>	100/38	239	<u>16.8</u>	266	<u>18.7</u>	310	<u>21.8</u>
SUCTION PRESSURE	70/21	32	<u>2.2</u>	35	<u>2.5</u>	41	<u>2.9</u>
	80/27	34	<u>2.4</u>	39	<u>2.7</u>	46	<u>3.2</u>
	90/32	35	<u>2.5</u>	42	<u>3.0</u>	49	<u>3.4</u>
PSIG <u>kg/cm²G</u>	100/38	37	<u>2.6</u>	44	<u>3.1</u>	55	<u>3.9</u>

TOTAL HEAT OF REJECTION FROM CONDENSER 9650 BTU/h [AT 90°F (32°C) / WT 70°F (21°C)]

TOTAL HEAT OF REJECTION FROM COMPRESSOR 1750 BTU/h [AT 90°F (32°C) / WT 70°F (21°C)]

CONDENSER VOLUME 141 CU. IN (URC-7F)

Note: Pressure data is recorded at 5 minutes into freezing cycle.

The data not in **bold** should be used for reference only.

We reserve the right to make changes in specifications and design without prior notice.

IV. SERVICE DIAGNOSIS

1. NO ICE PRODUCTION

PROBLEM	POSSIBLE CAUSE		REMEDY
[1] The icemaker will not start	a) Power Supply	1. "OFF" position.	1. Move to "ON" position
		2. Loose connections.	2. Tighten
		3. Bad contacts.	3. Check for continuity and replace.
		4. Voltage too high.	4. Check and get recommended voltage.
	b) Fuse (Inside Fused Disconnect, if any)	1. Blown out.	1. Check for short circuit and replace
	c) Control Switch	1. "OFF" position.	1. Move to "ICE" position.
		2. Bad contacts.	2. Check for continuity and replace.
	d) Bin Control Thermostat For mechanical bin control, see "II. 4. [c]"	1. Tripped with bin filled with ice.	1. Remove ice.
		2. Ambient temperature too cool.	2. Increase ambient temperature.
		3. Set too warm.	3. See "II.2.[d] CONTROLS AND ADJUSTMENTS, 5) Bin Control."
		4. Bulb out of position.	4. Place in position.
		5. Bad contacts or leaks bulb.	5. Check for continuity and replace.
	e) High Pressure Control	1. Bad contacts.	1. Check for continuity and replace.
	f) Transformer	1. Thermal fuse blown out or coil winding opened.	1. Replace.
	g) Wiring to Controller Board	1. Loose connections or open.	1. Check for continuity and replace.
	h) Thermistor	1. Leads short-circuit or open and High Temperature Safety operates.	1. See "II.2.[d] CONTROLS AND ADJUSTMENTS, 1) Defrost Control."
	i) Hot Gas Solenoid Valve	1. Continues to open in freeze cycle and High Temperature Safety operates.	1. Check for power off in freeze cycle and replace.
j) Water Supply Line	1. Water supply off and water supply cycle does not finish.	1. Check and get recommended pressure.	
	2. Condenser water pressure too low or off and Pressure Control opens and closes frequently to finally operate High Temperature Safety.	2. Check and get recommended pressure.	
k) Water Solenoid	1. Mesh filter or orifice gets clogged and water supply cycle does not finish.	1. Clean.	
	2. Coil winding opened.	2. Replace.	
	3. Wiring to Water Valve.	3. Check for loose connection or open, and replace.	

PROBLEM	POSSIBLE CAUSE		REMEDY
	l) Controller Board	1. Defective	1. See "11.2[e] CHECKING CONTROLLER BOARD."
[2] Water continues to be supplied, and the ice-maker will not start.	a) Float switch	1. Connector disconnected.	1. Place in position.
		2. Leads opened or defective switch.	2. Check and replace.
3. Float does not move freely.		3. Clean or replace.	
	b) Controller Board	1. Defective.	1. Replace.
[3] Compressor	a) Control Switch	1. "SERVICE" position.	1. Move to "ICE" position.
		2. Bad contacts.	2. Check and replace.
	b) High Pressure Controller	1. Dirty Air Filter or Condenser.	1. Clean.
		2. Ambient or condenser water temp. too warm.	2. Reduce ambient temp.
		3. Refrigerant overcharged.	3. Recharge.
		4. Condenser water pressure too low or off. [Water-cooled model only].	4. Check and get recommended pressure.
		5. Fan not operating. [Except water-cooled model].	5. See chart 1 - [6].
		6. Refrigerant line or components plugged.	6. Clean and replace Drier.
	c) Water Regulator	1. Set too high.	1. Adjust lower.
	d) Overload Protector	1. Bad contacts.	1. Check for continuity and replace.
		2. Voltage too low.	2. Increase voltage.
		3. Refrigerant overcharged or undercharged.	3. Recharge.
		4. Line Valve continues to close in freeze cycle and Overload Protector operates.	4. Check Line Valve's operation in freeze cycle and replace.
	e) Starter	1. Bad contacts.	1. Check and replace.
		2. Coil winding opened.	2. Replace.
	f) Start Capacitor or Run Capacitor	1. Defective.	1. Replace.
	g) Magnetic Contactor	1. Bad contacts.	1. Check for continuity and replace.
		2. Coil winding opened.	2. Replace.
	h) Compressor	1. Wiring to Compressor.	1. Check for loose connection or open, and replace.
		2. Defective.	2. Replace.
		3. Protector tripped.	3. Reduce temperature.
	i) Controller board	1. Defective.	1. See "11.2. [e] CHECKING CONTROLLER BOARD."

PROBLEM	POSSIBLE CAUSE		REMEDY
[4] Water continues to be supplied in freeze cycle.	a) Water Solenoid Valve	1. Diaphragm does not close.	1. Check for water leaks with icemaker off.
	b) Controller Board	1. Defective.	1. See "II.2.[e] CHECKING CONTROLLER BOARD."
[5] No water comes from Spray Tubes. Water Pump will not start, or freeze cycle time is too short.	a) Water Supply Line	1. Water pressure too low and water level in Water Tank too low.	1. Check and get recommended pressure.
	b) Water Solenoid Valve	1. Dirty mesh filter or orifice and water level in Water Tank too low.	1. Clean.
	c) Water System	1. Water leaks.	1. Check connections for water leaks, and replace.
		2. Clogged.	2. Clean.
	d) Pump Motor	1. Motor winding opened.	1. Replace.
		2. Bearing worn out.	2. Replace.
		3. Wiring to Pump Motor.	3. Check for loose connection or open, and replace.
4. Defective or bound impeller.		5. CLEAN	
e) Controller Board	1. Defective.	1. See "II.2. [e] CHECKING CONTROLLER BOARD."	
[6] Fan Motor will not start, or is not operating.	a) Fan Motor	1. Motor winding opened.	1. Replace.
		2. Bearing worn out.	2. Replace.
		3. Wiring to Fan Motor.	3. Check for loose connection or open, and replace.
		4. Defective Capacitor.	4. Replace
		5. Fan blade bound.	5. Check and replace.
	b) Controller Board	1. Defective.	1. See "II.2. [e] CHECKING CONTROLLER BOARD."
[7] All components run but no ice is produced.	a) Refrigerant	1. Undercharged.	1. Check for leaks and recharge.
		2. Air or moisture trapped.	2. Replace Drier, and recharge.
	b) Compressor	1. Defective valve.	1. Replace.
	c) Hot Gas Solenoid Valve	1. Continues to open in freeze cycle.	1. Check and replace.
	d) Line Valve	1. Continues to close in freeze cycle.	1. Check and replace
	e) Water Supply Line [Water-cooled model only]	1. Condenser water pressure too low or off and Pressure Control opens and closes frequently.	1. Check and get recommended pressure.

2. EVAPORATOR IS FROZEN UP

PROBLEM	POSSIBLE CAUSE		REMEDY
[1] Freeze cycle time is too long.	a) Float Switch	1. Leads short-circuit or defective switch.	1. Check and replace.
		2. Float does not move freely.	2. Clean or replace.
	b) Water Solenoid Valve	1. Diaphragm does not close.	1. Check for water leaks with icemaker off.
	c) Controller Board	1. Defective.	1. See "II.2[e] CHECKING CONTROLLER BOARD."
[2] All ice formed on Evaporator does not fall into bin in harvest cycle.	a) Evaporator	1. Scaled up.	1. Clean.
	b) Water Supply Line	1. Water pressure too low.	1. Check and get recommended pressure.
	c) Water Solenoid Valve	1. Dirty mesh filter or orifice.	1. Clean.
		2. Diaphragm does not close.	2. Check for water leaks with icemaker off.
	d) Ambient and/or water temperature	1. Too cool.	1. Increase temperature.
	e) Thermistor	1. Out of position or loose attachment.	1. See "V. 11. REMOVAL AND REPLACEMENT OF THERMISTOR."
f) Controller Board	1. Defrost Timer is set too short.	1. Adjust longer, referring to "II. 2. [d] CONTROLS AND ADJUSTMENT, 2) Defrost Timer."	
	2. Defective.	2. See "II. 2.[e] CHECKING CONTROLLER BOARD."	
[3] Others	a) Spray Tube	1. Clogged.	1. Clean.
		2. Out of position.	2. Place in position.
	b) Water System	1. Dirty.	1. Clean.
	c) Refrigerant	1. Undercharged.	1. Check for leaks and recharge.
	d) Expansion Valve	1. Bulb out of position or loose attachment.	1. Place in position.
		2. Defective.	2. Replace.
	e) Hot Gas Solenoid Valve	1. Coil winding opened.	1. Replace.
2. Plunger does not move.		2. Replace.	
3. Wiring to Hot Gas Valve.		3. Check for loose connection or open, and replace.	

3. LOW ICE PRODUCTION

PROBLEM	POSSIBLE CAUSE	REMEDY
[1] Freeze cycle time is long.	a) See chart 1 - [3], and check dirty Air Filter or Condenser, ambient or water temperature, water pressure, Water Regulator or refrigerant charge.	
	b) See chart 2 - [1], and check Float Switch, Water Solenoid Valve or Controller Board.	
[2] Harvest cycle time is long	a) See chart 2 - [2], and check Controller Board, Thermistor, Evaporator, ambient and/or water temperature, water supply line, Water Solenoid Valve.	

4. ABNORMAL ICE

PROBLEM	POSSIBLE CAUSE		REMEDY
[1] Small Cube	a) Ice Cube Guide	1. Out of position. Circulated water falls into bin.	1. Place in position.
	b) See chart 1 - [5], and check water supply line, Water Solenoid Valve, water system, Pump Motor or Controller Board.		
	c) Drain Valve	1. Dirty.	1. Clean.
[2] Cloudy or irregular cube	a) See chart 2 - [1] and - [3], and check Float Switch, Water Solenoid Valve, Controller Board, Spray Tubes, water system, refrigerant charge or Expansion Valve.		
	b) Spray Guide	1. Dirty.	1. Clean.
	c) Water Quality	1. High hardness or contains impurities.	1. Install a water filter or softener.

5. OTHERS

PROBLEM	POSSIBLE CAUSE		REMEDY
[1] Icemaker will not stop when bin is filled with ice.	a) Bin Control Thermostat	1. Set too cold.	1. Adjust warmer.
		2. Defective.	2. Replace.
	For mechanical bin control, see "II. 4. [c]"		
[2] Abnormal noise	a) Pump Motor	1. Bearings worn out.	1. Replace.
	b) Fan Motor	1. Bearings worn out.	1. Replace.
		2. Fan blade deformed.	2. Replace fan blade.
		3. Fan blade does not move freely.	3. Replace.
	c) Compressor	1. Bearings worn out, or cylinder valve broken.	1. Replace.
2. Mounting pad out of position.		2. Reinstall	
d) Refrigerant Lines	1. Rub or touch lines or other surfaces.	1. Replace.	
[3] Ice in storage bin often melts.	a) Bin Drain	1. Plugged.	1. Clean.

V. REMOVAL AND REPLACEMENT OF COMPONENTS

IMPORTANT

Ensure all components, fasteners and thumbscrews are securely in place after the equipment is serviced.

IMPORTANT

1. The Polyol Ester (POE) oils used in R-404A units can absorb moisture quickly. Therefore it is important to prevent moisture from entering the system when replacing or servicing parts.
2. Always install a new filter drier every time the sealed refrigeration system is opened.
3. Do not leave the system open for longer than 5 minutes when replacing or servicing parts.

1. SERVICE FOR REFRIGERANT LINES

[a] REFRIGERANT RECOVERY

The icemaker unit is provided with two Refrigerant Access Valves—one on the low-side and one on the high-side line. Using proper refrigerant practices recover the refrigerant from the Access Valves and store it in an approved container. Do not discharge the refrigerant into the atmosphere.

[b] EVACUATION AND RECHARGE [R-404A]

- 1) Attach Charging Hoses, a Service Manifold and a Vacuum Pump to the system. Be sure to connect charging hoses to both High and Low -side Access Valves.

IMPORTANT

The vacuum level and Vacuum Pump may be the same as those for current refrigerants. However, the rubber hose and gauge manifold to be used for evacuation and refrigerant charge should be exclusively for POE oils.

- 2) Turn on the Vacuum Pump. Never allow the oil in the Vacuum Pump to flow backward.
- 3) Allow the Vacuum Pump to pull down to a 29.9" Hg vacuum. Evacuating period depends on pump capacity.
- 4) Close the Low-side Valve and High-side Valve on the Service Manifold.

- 5) Disconnect the Vacuum Pump, and attach a Refrigerant Service Cylinder to the High-side line. Remember to loosen the connection, and purge the air from the Hose. See the Nameplate for the required refrigerant charge. Hoshizaki recommends only virgin refrigerant or reclaimed refrigerant which meets ARI Standard No. 700-88 be used.
- 6) A liquid charge is recommended for charging an R-404A system. Invert the service cylinder. Open the High-side, Service Manifold Valve.
- 7) Allow the system to charge with liquid until the pressures balance.
- 8) If necessary, add any remaining charge to the system through the Low-side. Use a throttling valve or liquid dispensing device to add the remaining liquid charge through the Low-side access port with the unit running.
- 9) Close the two Refrigerant Access Valves, and disconnect the Hoses and Service Manifold.
- 10) Cap the Access Valves to prevent a possible leak.

2. BRAZING

DANGER

1. Refrigerant R-404A itself is not flammable at atmospheric pressure and temperatures up to 176° F.
2. Refrigerant R-404A itself is not explosive or poisonous. However, when exposed to high temperatures (open flames) R-404A can be decomposed to form hydrofluoric acid and carbonyl fluoride both of which are hazardous.
3. Always recover the refrigerant and store it in an approved container. Do not discharge the refrigerant into the atmosphere.
4. Do not use silver alloy or copper alloy containing Arsenic.
5. Do not use R-404A as a mixture with pressurized air for leak testing. Refrigerant leaks can be detected by charging the unit with a little refrigerant, raising the pressure with nitrogen and using an electronic leak detector.

Note: All brazing-connections inside the Evaporator Case are clear-paint coated. Sandpaper the brazing connections before debrazing the components. Use a good abrasive cloth to remove coating.

3. REMOVAL AND REPLACEMENT OF COMPRESSOR

IMPORTANT

Always install a new Drier every time the sealed refrigeration system is opened. Do not replace the Drier until after all other repair or replacement has been made.

Note: When replacing a Compressor with a defective winding, be sure to install the new Start Capacitor and Start Relay supplied with the replacement Compressor. Due to the ability of the POE oil in the compressor to absorb moisture quickly, the Compressor must not be opened more than 15 minutes for replacement or service. Do not mix lubricants of different compressors even if both are charged with R-404A, except when they use the same lubricant.

- 1) Turn off the power supply.
- 2) Remove the panels.
- 3) Recover the refrigerant and store it in an approved container.
- 4) Remove the Terminal Cover on the Compressor, and disconnect the Compressor Wiring.
- 5) Remove the Discharge and Suction Pipes using brazing equipment.
- 6) Remove the Hold-down Bolts, Washers and Rubber Grommets.
- 7) Slide and remove the Compressor. Unpack the new Compressor package. Install the new Compressor.
- 8) Attach the Rubber Grommets of the prior Compressor.
- 9) Sandpaper the Suction, Discharge and Process Pipes.
- 10) Place the Compressor in position, and secure it using the Bolts and Washers.
- 11) Remove plugs from the Suction, Discharge and Process Pipes.
- 12) Braze the Process, Suction and Discharge lines (Do not change this order), while purging with nitrogen gas flowing at the pressure 3 - 4 PSIG.
- 13) Install the new Filter Drier.
- 14) Check for leaks using nitrogen gas (140 PSIG) and soap bubbles.

- 15) Evacuate the system, and charge it with refrigerant. For air-cooled and water-cooled models, see the Nameplate for the required refrigerant charge. For remote air-cooled models, see the Charge Label in the machine compartment.
- 16) Connect the Terminals, and replace the Terminal Cover in its correct position.
- 17) Replace the panels in their correct positions.
- 18) Turn on the power supply.

4. REMOVAL AND REPLACEMENT OF DRIER

IMPORTANT

Always install a new Drier every time the sealed refrigeration system is opened. Do not replace the Drier until after all other repair or replacement has been made.

- 1) Turn off the power supply.
- 2) Remove the panels.
- 3) Recover the refrigerant and store it in an approved container.
- 4) Remove the Drier.
- 5) Install the new Drier, with the arrow on the Drier, in the direction of the refrigerant flow. Use nitrogen gas at the pressure of 3 - 4 PSIG when brazing the tubings.
- 6) Check for leaks using nitrogen gas (140 PSIG) and soap bubbles.
- 7) Evacuate the system, and charge it with refrigerant. For air-cooled and water-cooled models, see the Nameplate for the required refrigerant charge. For remote air-cooled models, see the Charge Label in the machine compartment.
- 8) Replace the panels in their correct positions.
- 9) Turn on the power supply.

5. REMOVAL AND REPLACEMENT OF EXPANSION VALVE

IMPORTANT

Sometimes moisture in the refrigerant circuit exceeds the Drier capacity and freezes up at the Expansion Valve. Always install a new Drier every time the sealed refrigeration system is opened. Do not replace the Drier until after all other repair or replacement has been made.

- 1) Turn off the power supply.
- 2) Remove the panels.
- 3) Recover the refrigerant and store it in an approved container.
- 4) Remove the insulation and the Expansion Valve Bulb on the suction line.
- 5) Remove the Expansion Valve Cover, and disconnect the Expansion Valve using brazing equipment.
- 6) Braze the new Expansion Valve, with nitrogen gas flowing at the pressure of 3 - 4 PSIG.

WARNING

Always protect the valve body by using a damp cloth to prevent the valve from overheating. Do not braze with the valve body exceeding 250°F.

- 7) Install the new Drier.
- 8) Check for leaks using nitrogen gas (140 PSIG) and soap bubbles.
- 9) Evacuate the system, and charge it with refrigerant. For air-cooled and water-cooled models, see the Nameplate for the required refrigerant charge. For remote air-cooled models, see the Charge Label in the machine compartment.
- 10) Attach the Bulb to the suction line in position. Be sure to secure it with clamps and to insulate it.
- 11) Place the new set of Expansion Valve Covers in position.
- 12) Replace the panels in their correct positions.
- 13) Turn on the power supply.

6. REMOVAL AND REPLACEMENT OF HOT GAS VALVE AND LINE VALVE

CAUTION

Always use a copper tube of the same diameter and length when replacing the hot gas lines; otherwise the performance may be reduced.

IMPORTANT

Always install a new Drier every time the sealed refrigeration system is opened. Do not replace the Drier until after all other repair or replacement has been made.

- 1) Turn off the power supply.
- 2) Remove the panels.
- 3) Recover the refrigerant and store it in an approved container.
- 4) Remove the screw and the Solenoid.
- 5) Disconnect the Hot Gas Valve or Line Valve using brazing equipment.
- 6) Install the new valve.

WARNING

Always protect the valve body by using a damp cloth to prevent the valve from overheating. Do not braze with the valve body exceeding 250°F.

- 7) Install the new Drier.
- 8) Check for leaks using nitrogen gas (140 PSIG) and soap bubbles.
- 9) Evacuate the system, and charge it with refrigerant. For air-cooled and water-cooled models, see the Nameplate for the required refrigerant charge. For remote air-cooled models, see the Charge Label in the machine compartment.

- 10) Cut the leads of the Solenoid allowing enough lead length to reconnect using closed end connectors.
- 11) Connect the new Solenoid leads.
- 12) Attach the Solenoid to the valve body, and secure it with a screw.
- 13) Replace the panels in their correct positions.
- 14) Turn on the power supply.

7. REMOVAL AND REPLACEMENT OF EVAPORATOR

IMPORTANT

Always install a new Drier every time the sealed refrigeration system is opened. Do not replace the Drier until after all other repairs or replacement have been made.

- 1) Turn off the power supply.
- 2) Remove the panels and the Top Insulation over the Evaporator.
- 3) Recover the refrigerant and store it in an approved container.
- 4) Remove the Spray Tubes and the Insulations at the “U” shaped notch where the refrigeration tubings go through the molded chassis.
- 5) Remove the Insulation Tube, and disconnect the Evaporator Inlet Tubing at the Tee next to the Expansion Valve.
- 6) Lift up the Evaporator, and disconnect the Evaporator Outlet Tubing.
- 7) Install the new Evaporator.
- 8) Install the new Drier.
- 9) Check for leaks using nitrogen gas (140 PSIG) and soap bubbles.
- 10) Evacuate the system, and charge it with refrigerant. For air-cooled and water-cooled models, see the Nameplate for the required refrigerant charge. For remote air-cooled models, see the Charge Label in the machine compartment.
- 11) Replace the removed parts in the reverse order of which they were removed.
- 12) Replace the Top Insulation and the panels in their correct positions.
- 13) Turn on the power supply.

8. REMOVAL AND REPLACEMENT OF WATER REGULATING VALVE - WATER-COOLED MODEL ONLY

IMPORTANT

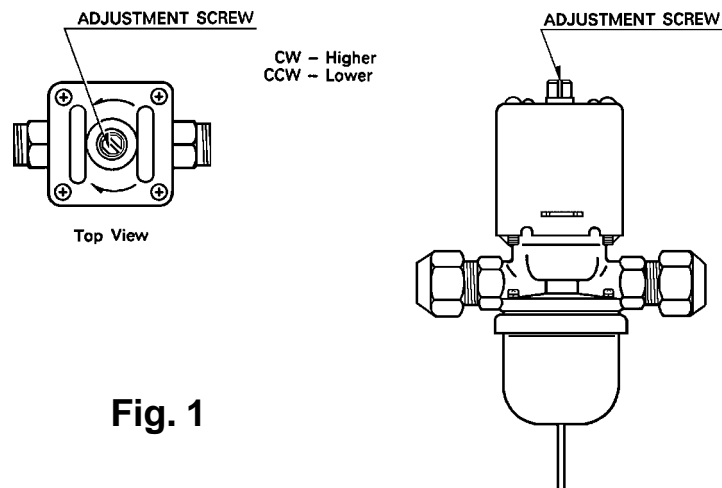
Always install a new Drier every time the sealed refrigeration system is opened. Do not replace the Drier until after all other repair or replacement has been made.

- 1) Turn off the power supply.
- 2) Close the Water Supply Line Shut-off Valve.
- 3) Remove the panels.
- 4) Recover the refrigerant and store it in an approved container.
- 5) Disconnect the Capillary Tube at the Condenser outlet using brazing equipment.
- 6) Disconnect the Flare-connections of the valve.
- 7) Remove the screws and the valve from the Bracket.
- 8) Install the new valve, and braze the Capillary Tube.
- 9) Install the new Drier.
- 10) Check for leaks using nitrogen gas (140 PSIG) and soap bubbles.
- 11) Evacuate the system, and charge it with refrigerant. See the Nameplate for the required refrigerant charge.
- 12) Connect the Flare-connections.
- 13) Open the Water Supply Line Shut-off Valve.
- 14) Check for water leaks.
- 15) Replace the panels in their correct positions.
- 16) Turn on the power supply.

9. ADJUSTMENT OF WATER REGULATING VALVE - WATER-COOLED MODEL ONLY

The Water Regulating Valve (also called “WATER REGULATOR”) is factory-adjusted. No adjustment is required under normal use. Adjust the Water Regulator, if necessary, using the following procedures.

- 1) Attach a pressure gauge to the high-side line of the system. Or prepare a thermometer to check for the condenser drain temperature.
- 2) Rotate the adjustment screw by using a flat blade screwdriver, so that the pressure gauge shows 270 PSIG or the thermometer reads 104-115 °F, 5 minutes after a freeze cycle or icemaking process starts. When the pressure exceeds 270 PSIG, or the condenser drain temperature exceeds 115 ° F, rotate the adjustment screw counterclockwise. See Fig. 1.
- 3) Check that the pressure or the condenser drain temperature holds a stable setting.



10. REMOVAL AND REPLACEMENT OF CONDENSING PRESSURE REGULATOR (C.P.R.) - REMOTE AIR-COOLED MODEL ONLY

IMPORTANT

Always install a new Drier every time the sealed refrigeration system is opened. Do not replace the Drier until after all other repair or replacement has been made.

- 1) Turn off the power supply.
- 2) Remove the panels from the remote condenser unit.
- 3) Recover the refrigerant and store it in an approved container.
- 4) Before heating, break off the stub on the dome to release the dome charge.
- 5) Disconnect the C.P.R. using brazing equipment.
- 6) Install the new C.P.R. Use nitrogen gas at the pressure of 3 - 4 PSIG when brazing the C.P.R.

WARNING

Always protect the C.P.R. body by using a damp cloth to prevent the C.P.R. from overheating. Do not braze with the C.P.R. body exceeding 250° F.

- 7) Install the new Drier in the icemaker.
- 8) Check for leaks using nitrogen gas (140 PSIG) and soap bubbles.
- 9) Evacuate the system and charge it with refrigerant. See the Charge Label in the machine compartment in the icemaker.
- 10) Replace the panels in their correct positions.
- 11) Turn on the power supply.

11. REMOVAL AND REPLACEMENT OF THERMISTOR

CAUTION

1. Fragile, handle very carefully.
2. Always use a recommended sealant (High Thermal Conductive Type), Model KE4560RTV manufactured by SHINETSU SILICONE, Part Code 60Y000-11, or Part Code 4A0683-01 or equivalent.
3. Always use a recommended foam insulation (Non-absorbent Type) or equivalent.
4. Do not shorten or cut the Thermistor leads when installing it.

- 1) Turn off the power supply.
- 2) Remove the panels.
- 3) Remove the Control Box Cover.
- 4) Disconnect the Thermistor leads from the K3 Connector on the Controller Board.
- 5) Remove the Plastic Cable Ties, Foam Insulation, Thermistor Holder and Thermistor. See Fig. 2.
- 6) Scrape away the old sealant on the Thermistor Holder and the Suction Pipe.

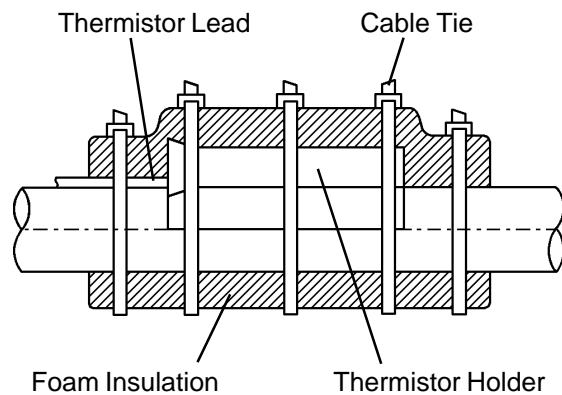


Fig. 2

- 7) Wipe off moisture or condensation on the Suction Pipe.
- 8) Smoothly apply recommended sealant (KE4560RTV, Part Code 60Y000-11 or 4A0683-01) to the Thermistor Holder concave.
- 9) Attach the new Thermistor to the Suction Pipe very carefully to prevent damage to the leads. And secure it using the Thermistor Holder and recommended foam insulation.

- 10) Secure the insulation using the Plastic Cable Ties.
- 11) Connect the Thermistor leads through the bushing of the Control Box to the K3 Connector on the Controller Board.

Note: Do not cut the leads of the Thermistor while installing it.

- 12) Replace the Control Box Cover and the panels in their correct positions.
- 13) Turn on the power supply.

12. REMOVAL AND REPLACEMENT OF FAN MOTOR

Note: When replacing a Fan Motor with defective winding, it is recommended that a new capacitor be installed.

- 1) Turn off the power supply.
- 2) Remove the panels.
- 3) Remove the Junction Box Cover from the remote condenser unit (Remote Air-cooled model).
- 4) Remove the closed end connectors from the Fan Motor leads.
- 5) Remove the Fan Motor Bracket and Fan Motor.
- 6) Install the new Fan Motor, and replace the removed parts in the reverse order of which they were removed.
- 7) Replace the panels in their correct positions.
- 8) Replace the Junction Box Cover in its correct position (Remote Air-cooled model).
- 9) Turn on the power supply.

13. REMOVAL AND REPLACEMENT OF WATER VALVE

- 1) Turn off the power supply.
- 2) Close the Water Supply Line Shut-off Valve.
- 3) Remove the Front Panel.
- 4) Remove the Valve Outlet Tubing by releasing the Clamp.
- 5) Remove the Bracket from the unit.
- 6) Remove the Fitting Nut and Water Valve.
- 7) Disconnect the Terminals from the Water Valve.
- 8) Install the new Water Valve, and replace the removed parts in the reverse order of which they were removed.
- 9) Open the Water Supply Line Shut-off Valve.
- 10) Turn on the power supply.
- 11) Check for leaks.
- 12) Replace the Front Panel in its correct position.

14. REMOVAL AND REPLACEMENT OF PUMP MOTOR

- 1) Turn off the power supply.
- 2) Remove the Front Panel.
- 3) Remove the three screws and the Float Switch Assembly.
- 4) Remove the wiring connectors from the Pump Motor leads.
- 5) Remove the four screws and the Pump Motor.
- 5) Install the new Pump, and replace the removed parts in the reverse order of which they were removed.
- 6) Turn on the power supply, and check for leaks.
- 7) Replace the Front Panel in its correct position.

15. REMOVAL AND REPLACEMENT OF SPRAY TUBES

- 1) Turn off the power supply.
- 2) Remove the Front Panel and the Insulation Panel.
- 3) Remove the Rubber Hoses from the Spray Tubes (Water Supply Pipe).
- 4) Release the Clamps, and disconnect the Rubber Hoses.
- 5) Remove the Spray Tubes by squeezing the side tabs.
- 6) Install the new Spray Tubes, and replace the removed parts in the reverse order of which they were removed.
- 7) Replace the panels in their correct positions.
- 8) Turn on the power supply.

VI. MAINTENANCE AND CLEANING INSTRUCTIONS

IMPORTANT

Ensure all components, fasteners and thumbscrews are securely in place after any maintenance or cleaning is done to the equipment.

1. PREPARING THE ICEMAKER FOR LONG STORAGE

WARNING

When shutting off the icemaker for an extended time, drain out all water from the water tank and remove the ice from the Storage Bin. The Storage Bin should be cleaned and dried. Drain the icemaker to prevent damage to the water supply line at sub-freezing temperatures, using air or carbon dioxide. Shut off the icemaker until the proper ambient temperature is resumed.

- When the icemaker is not used for two or three days, it is sufficient to only move the Control Switch to the “OFF” position, unless the icemaker will be at sub-freezing temperatures.

[1] On water-cooled model only, first remove the water from the water-cooled condenser:

- 1) Turn off the power supply.
- 2) Remove the Front Panel.
- 3) Move the Control Switch, on the Control Box, to the “OFF” position.
- 4) Wait 3 minutes.
- 5) Move the Control Switch to the “ICE” position.
- 6) Replace the Front Panel and turn on the power supply.
- 7) Allow 5 minutes for the icemaker to fill with water and the Water Pump to start operating.
- 8) Close the Water-cooled Condenser Water Supply Line Shut-off Valve.
- 9) Open the Drain Valve for the water-cooled condenser water supply line.

- 10) Allow the line to drain by gravity.
- 11) Attach compressed air or carbon dioxide supply to the Condenser Water Line Drain Valve.
- 12) Blow the water-cooled Condenser out, using compressed air or carbon dioxide until water stops coming out.

[2] Remove the water from the potable water supply line:

- 1) Turn off the power supply and remove the Front Panel.
- 2) Move the Control Switch, on the Control Box, to the "OFF" position.
- 3) Wait 3 minutes.
- 4) Close the Potable Water Supply Line Shut-off Valve and open the Potable Water Supply Line Drain Valve.
- 5) Allow the line to drain by gravity.
- 6) Attach compressed air or carbon dioxide supply to the Potable Water Line Drain Valve.
- 7) Move the Control Switch to the "ICE" position.
- 8) Replace the Front Panel and turn on the power supply.
- 9) Blow the potable water line out using compressed air or carbon dioxide.

[3] Drain the Potable Water Tank:

- 1) Turn off the power supply.
- 2) Remove the Front Panel.
- 3) Move the Control Switch to "SERVICE" and move the Service Switch to the "DRAIN" position
- 4) Replace the Front Panel and turn on the power supply for 2 minutes.
- 5) Turn off the power supply.

2. CLEANING PROCEDURE

IMPORTANT

Ensure all components, fasteners and thumbscrews are securely in place after any maintenance or cleaning is done to the equipment.

WARNING

1. HOSHIZAKI recommends cleaning this unit at least once a year. More frequent cleaning, however, may be required in some existing water conditions.
2. To prevent injury to individuals and damage to the icemaker, do not use ammonia type cleaners.
3. Always wear liquid-proof gloves for safe handling of the cleaning and sanitizing solution. This will prevent irritation in case the solution contacts with skin.

- 1) Dilute recommended amount of cleaner Hoshizaki "Scale Away" or "LIME-A-WAY," (Economics Laboratory, Inc.) as indicated below.

MODEL	CLEANING		SANITATION	
	WATER gal.	"SCALE AWAY" fl. oz.	WATER gal.	SANITIZER fl. oz.
KML-250	2	10.5	2	1
KML-350	2	10.5	2	1
KML-450	2	10.5	2	1
KML-600	2.5	13.5	2.5	1.25

- 2) Remove all ice from the Evaporator and the Storage Bin.

Note: To remove cubes on the Evaporator, turn off the power supply and turn it on after 3 minutes. The defrost cycle starts and the cubes will be removed from the Evaporator.

- 3) Turn off the power supply.
- 4) Remove the Front Panel.

- 5) Place the Control Switch in the "SERVICE" position. Then place the Service Switch in the "DRAIN" position.
- 6) Replace the Front Panel and turn on the power supply for 2 minutes.
- 7) Turn off the power supply.
- 8) Remove the Front Panel and then remove the Insulation Panel by lifting up the panel slightly and pulling it toward you.
- 9) Pour the cleaning solution into the Water Tank.
- 10) Move the Service Switch to the "WASH" position.
- 11) Replace the Insulation Panel and the Front Panel in their correct positions.
- 12) Turn on the power supply and start the washing process.
- 13) Turn off the power supply after 30 minutes.
- 14) Remove the Front Panel.
- 15) Move the Service Switch to the "DRAIN" position.
- 16) Replace the Front Panel and turn on the power supply for 2 minutes.
- 17) Turn off the power supply and remove the Front Panel.
- 18) Move the Control Switch to the "ICE" position.
- 19) Replace the Front Panel in its correct position.
- 20) Turn on the power supply to fill the Water Tank with water.
- 21) Turn off the power supply after 3 minutes.
- 22) Remove the Front Panel.
- 23) Move the Control Switch to the "SERVICE" position; then move the Service Switch to the "WASH" position
- 24) Replace the Front Panel in its correct position.
- 25) Turn on the power supply to rinse off the cleaning solution.
- 26) After 5 minutes, turn off the power supply.

- 27) Remove the Front Panel.
 - 28) Move the Service Switch to the "DRAIN" position.
 - 29) Replace the Front Panel and turn on the power supply for 2 minutes.
 - 30) Turn off the power supply.
 - 31) Remove the Front Panel.
 - 32) Repeat the above steps 18) through 31) three more times to rinse thoroughly.
- Note: If you do not sanitize the icemaker, go to step 14) in "SANITIZING PROCEDURE."

3. SANITIZING PROCEDURE - Following Cleaning Procedure

- 1) Dilute a 5.25% Sodium Hypochlorite solution (chlorine bleach) with water (Add 1.0 fl. oz. to 2 gal. of water).
- 2) Remove the Insulation Panel.
- 3) Pour the sanitizing solution into the Water Tank.
- 4) Move the Service Switch to the "WASH" position.
- 5) Replace the Insulation Panel and the Front Panel in their correct position.
- 6) Turn on the power supply and start the sanitizing process.
- 7) Turn off the power supply after 15 minutes.
- 8) Remove the Front Panel.
- 9) Move the Service Switch to the "DRAIN" position.
- 10) Replace the Front Panel and turn on the power supply for 2 minutes.
- 11) Turn off the power supply.
- 12) Remove the Front Panel.
- 13) Repeat the above steps 18) through 31) in "CLEANING PROCEDURE" two times to rinse thoroughly.
- 14) Move the Control Switch to the "ICE" position.

- 15) Replace the Front Panel in its correct position.
- 16) Clean the Storage Bin with water.
- 17) Turn on the power supply and start the automatic icemaking process.

4. MAINTENANCE

IMPORTANT

This icemaker must be maintained individually, referring to the instruction manual and labels provided with the icemaker.

1) Stainless Steel Exterior

To prevent corrosion, wipe the exterior occasionally with a clean and soft cloth. Use a damp cloth containing a neutral cleaner to wipe off oil or dirt build up.

2) Storage Bin and Scoop

- Wash your hands before removing ice. Use the plastic scoop provided (Accessory).
- The Storage Bin is for ice use only. Do not store anything else in the bin.
- Keep the scoop clean. Clean it by using a neutral cleaner and rinse thoroughly.
- Clean the bin liner by using a neutral cleaner. Rinse thoroughly after cleaning.

3) Air Filter (Air-cooled model only)

A plastic mesh air filter removes dirt or dust from the air, and keeps the Condenser from getting clogged. As the filter gets clogged, the icemaker's performance will be reduced. Check the filter at least twice a month. When clogged, use warm water and a neutral cleaner to wash the filter.

4) Condenser (Air-cooled model only)

Check the Condenser once a year, and clean if required by using a brush or vacuum cleaner. More frequent cleaning may be required depending on the location of the icemaker.

Free Manuals Download Website

<http://myh66.com>

<http://usermanuals.us>

<http://www.somanuals.com>

<http://www.4manuals.cc>

<http://www.manual-lib.com>

<http://www.404manual.com>

<http://www.luxmanual.com>

<http://aubethermostatmanual.com>

Golf course search by state

<http://golfingnear.com>

Email search by domain

<http://emailbydomain.com>

Auto manuals search

<http://auto.somanuals.com>

TV manuals search

<http://tv.somanuals.com>