

Hoshizaki America, Inc.

Modular Flaker Serenity Series

Model
FS-1001MLH/-C

Including
Condensing Unit Model SRC-10H



“A Superior Degree
of Reliability”

www.hoshizaki.com

INSTRUCTION MANUAL



Issued: 7-29-2005
Revised: 12-27-2005

FOREWORD

IMPORTANT

Only qualified service technicians should attempt to install, service or maintain this icemaker. No such installation, service or maintenance should be undertaken until the technician has thoroughly read this Instruction Manual. Likewise, the owner/manager should not proceed to operate the icemaker until the installer has instructed them on its proper operation.

HOSHIZAKI provides this manual primarily to assist qualified service technicians in the installation, maintenance and service of the icemaker.

Should the reader have any questions or concerns which have not been satisfactorily addressed, please call or write to the HOSHIZAKI Technical Support Department for assistance.

HOSHIZAKI AMERICA, INC.
618 Highway 74 South
Peachtree City, GA 30269

Attn: HOSHIZAKI Technical Support Department

Phone: 1-800-233-1940 Technical Service
(770) 487-2331
Fax: 1-800-843-1056
(770) 487-3360

Web Site: www.hoshizaki.com

NOTE: To expedite assistance, all correspondence/communication MUST include the following information:

- Model Number
- Serial Number
- Complete and detailed explanation of the problem

- Please review this manual. It should be read carefully before the icemaker is installed and operated. Only qualified service technicians should install, service and maintain the icemaker. This manual should be made available to the technician prior to installation, maintenance or service.
- Keep this manual with the icemaker for later reference.

CONTENTS

I. Specifications	4
1. Nameplate Rating	4
[a] FS-1001MLH, FS-1001MLH-C	4
[b] Condensing Unit Model SRC-10H	5
2. Dimensions/Connections	6
[a] FS-1001MLH, FS-1001MLH-C	6
[b] With Storage Bin	7
[c] Condensing Unit Model SRC-10H	8
II. Installation and Operating Instructions	9
1. Checks Before Installation	9
2. How to Remove Panels	9
3. Location	10
4. Setup	10
5. Electrical Connection	11
6. Installation of Remote Condensing Unit	11
[a] Checks Before Installation	11
[b] Location	11
[c] Setup	12
[d] Electrical Connection	13
7. Water Supply and Drain Connections	14
8. Timer Setting	15
9. Final Checklist	16
10. Startup	17
11. Preparing the Icemaker for Long Storage	18
III. Cleaning and Maintenance	19
1. Cleaning and Sanitizing Instructions	19
[a] Cleaning Solution	19
[b] Cleaning Procedure	20
[c] Sanitizing Solution	21
[d] Sanitizing Procedure - Initial	21
[e] Sanitizing Procedure - Final	22
2. Maintenance Instructions	24


I. Specifications

1. Nameplate Rating


[a] FS-1001MLH, FS-1001MLH-C


HOSHIZAKI ICE MAKER	
MODEL NUMBER	FS-1001MLH
SERIAL NUMBER	
AC SUPPLY VOLTAGE	115-120/60/1
COMPRESSOR	-----
GEAR MOTOR	120V 3.0FLA 1/4HP
FAN MOTOR	-----
OTHER	120V 0.53A
MAXIMUM FUSE SIZE	15 AMPS
MAX. HACR BREAKER (USA ONLY)	15 AMPS
MAX. CIRC BREAKER (CANADA ONLY)	15 AMPS
MINIMUM CIRCUIT AMPACITY	15 AMPS
DESIGN PRESSURE	HI-427PSI LO-230PSI
REFRIGERANT	404A

NOT INTENDED FOR OUTDOOR USE!
Hoshizaki America, Inc.
Peachtree City, GA
www.hoshizaki.com



LISTED ICE MAKER
WITHOUT STORAGE
MEANS LESS
CONDENSING UNIT
946Z





See the nameplate for electrical and refrigeration specifications. This nameplate is located on the left-hand side of the rear panel.

IMPORTANT

This icemaker is designed for connection to HOSHIZAKI CONDENSING UNIT, Model SRC-10H only! CONNECTION TO ANOTHER CONDENSING UNIT WILL VOID WARRANTY.

We reserve the right to make changes in specifications and design without prior notice.

NOTE: Only the "MODEL NUMBER" is replaced for FS-1001MLH-C.

[b] Condensing Unit Model SRC-10H

HOSHIZAKI CONDENSER UNIT

MODEL NUMBER	SRC-10H
SERIAL NUMBER	
AC SUPPLY VOLTAGE	208-230/60/1 (3 WIRE W/ NEUTRAL FOR 115V)
COMPRESSOR	208-230V 6.5RLA 46LRA
FAN MOTOR	115V 1.3FLA 65W
OTHER	120V 0.2A
MAXIMUM FUSE SIZE	20 AMPS
MAX. HACR BREAKER (USA ONLY)	20 AMPS
MAX. CIRC BREAKER (CANADA ONLY)	20 AMPS
MINIMUM CIRCUIT AMPACITY	20 AMPS
DESIGN PRESSURE	HI-427PSI LO-230PSI
REFRIGERANT	404A 8lb 2oz.

FOR OUTDOOR USE

WARNING: RISK OF ELECTRICAL SHOCK, WHICH CAN CAUSE INJURY OR DEATH. DISCONNECT ALL REMOTE ELECTRICAL POWER SUPPLIES BEFORE SERVICING UNIT.

Hoshizaki America, Inc.

Peachtree City, GA
www.hoshizaki.com



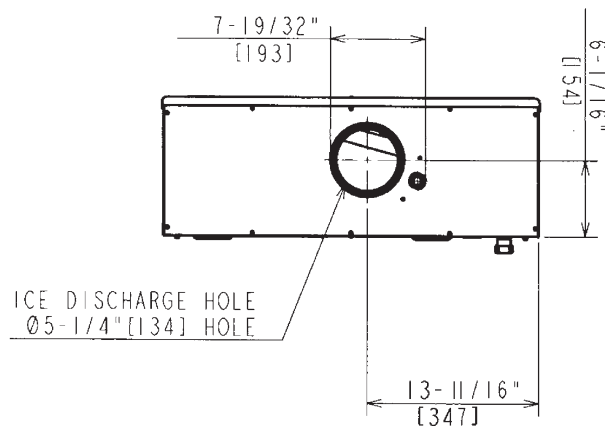
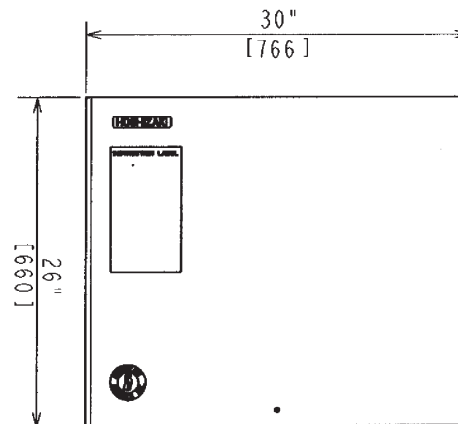
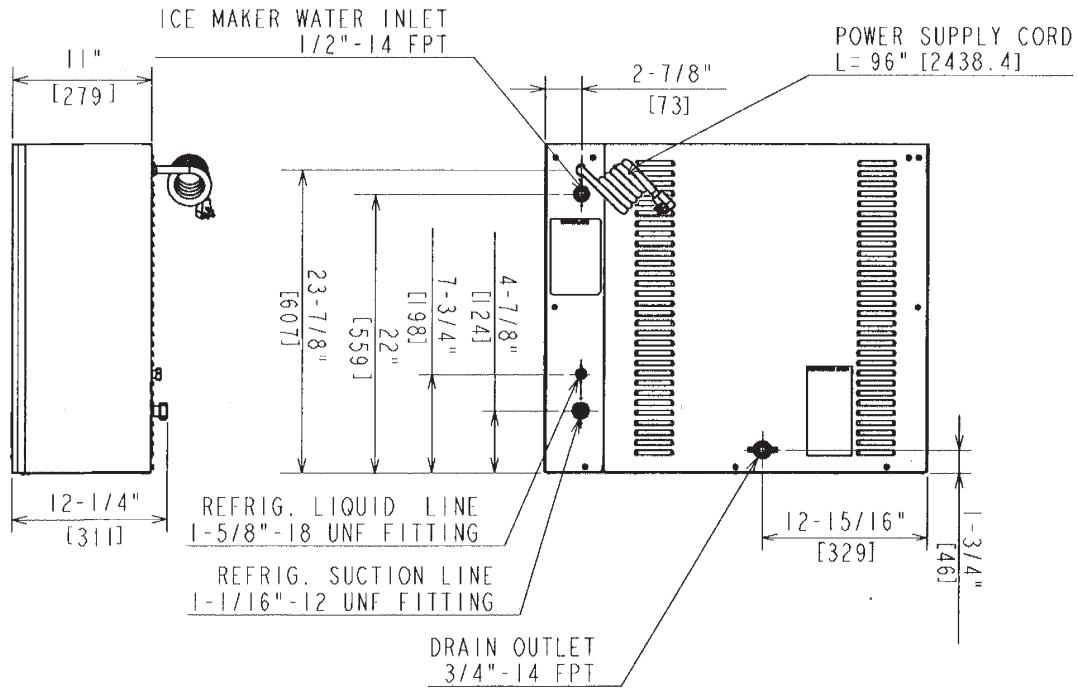
See the nameplate for electrical and refrigeration specifications. This nameplate is located on the left-hand side of the right-side panel.

We reserve the right to make changes in specifications and design without prior notice.

2. Dimensions/Connections

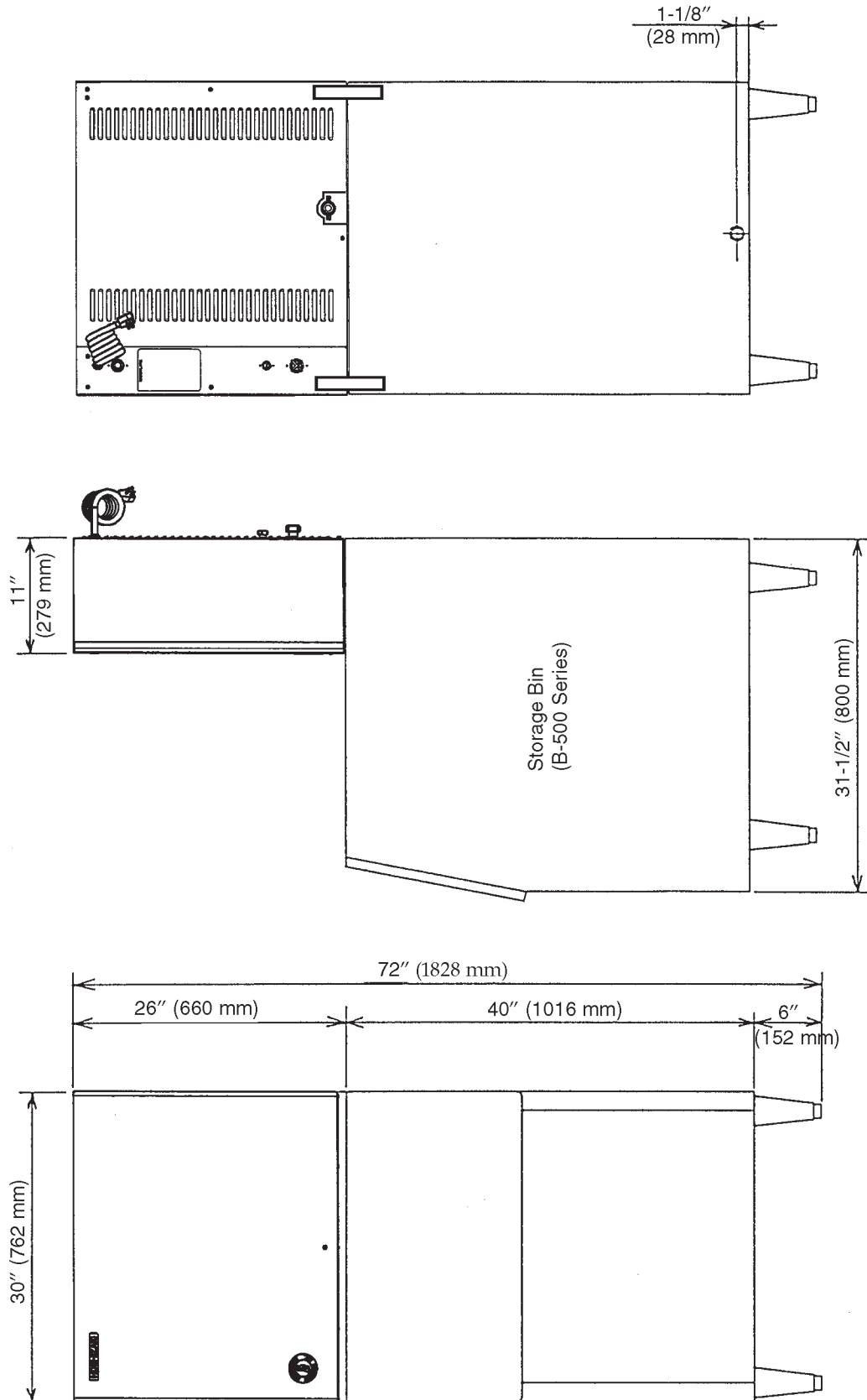
Unit = inches [mm]

[a] FS-1001MLH, FS-1001MLH-C

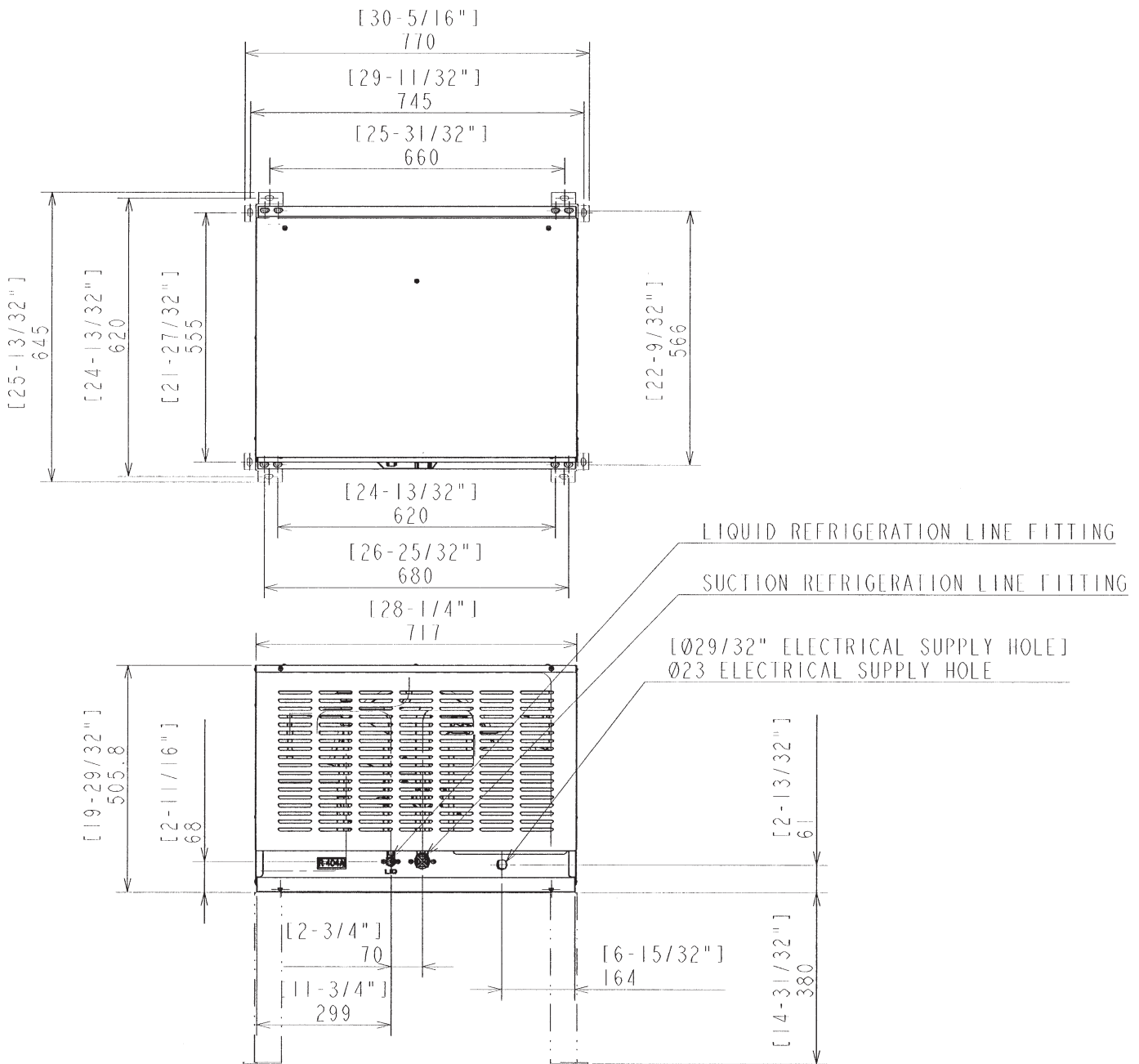


[b] With Storage Bin

Unit = inches [mm.]



[c] Condensing Unit Model SRC-10H



II. Installation and Operating Instructions

1. Checks Before Installation

WARNING

Remove shipping carton, tape(s) and packing. If packing material is left in the icemaker, it will not work properly.

IMPORTANT

Ensure all components, fasteners and thumbscrews are securely in place.

- 1) Remove all panels to prevent damage when installing the icemaker. (See “2. How to Remove Panels.”)
- 2) Remove the package containing the accessories from inside the icemaker.
- 3) Remove the protective plastic film from the panels. If the icemaker has been exposed to the sun or to heat, remove the film after the icemaker cools.
- 4) Check that the refrigerant lines do not rub or touch lines or other surfaces.
- 5) See the nameplate on the rear panel, and check that your supplied voltage corresponds with the voltage specified on the nameplate.
- 6) This icemaker requires a storage bin. The recommended storage bin is HOSHIZAKI ICE STORAGE BIN, Model B-500 series.
- 7) **This icemaker is designed for connection to HOSHIZAKI CONDENSING UNIT, Model SRC-10H only!**
NOTE: CONNECTION TO ANOTHER CONDENSING UNIT WILL VOID WARRANTY.

2. How to Remove Panels See Fig. 1

- a) Front/Rear Panel Remove the screw(s).
Lift up and pull towards you.
- b) Top Panel Lift up.
- c) Side Panel Remove the thumbscrew.
Pull up and lift off.

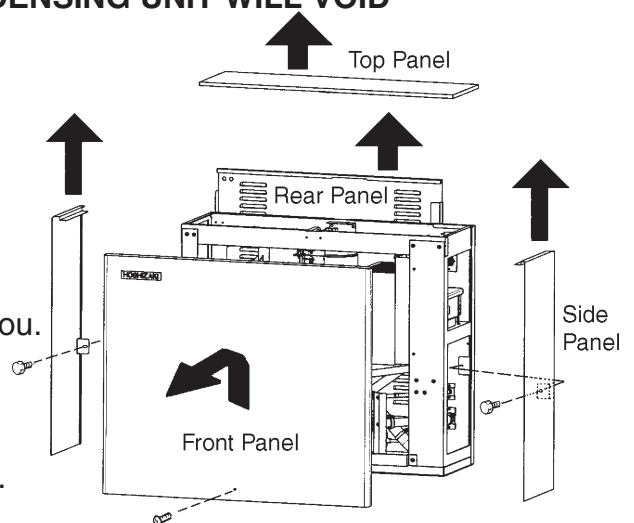


Fig. 1

3. Location

WARNING

This icemaker is not intended for outdoor use. Normal operating ambient temperature should be within +45°F to +100°F; Normal operating water temperature should be within +45°F to +90°F. Operation of the icemaker for extended periods outside of these normal temperature ranges may affect production capacity.

For best operating results:

- Icemaker should not be located next to ovens, grills or other high heat producing equipment.
- Location should provide a firm and level foundation for the equipment.
- Allow 6" clearance at rear and sides for proper air circulation and ease of maintenance and /or service should they be required. Allow 24" clearance at top to allow for removal of the auger.

4. Setup

- 1) Unpack the storage bin, and attach the four adjustable legs provided (bin accessory) to the bottom of the storage bin.
- 2) Position the storage bin in the selected permanent position.
- 3) Place the icemaker on the top of the storage bin.
- 4) Secure the icemaker to the storage bin by using the two braces, four bolts, and four self-tapping screws provided. The four bolts come attached to the icemaker. Use the four self-tapping screws to make the appropriate holes in the storage bin. See Fig. 2.
- 5) Insure a proper seal between the icemaker and the storage bin.
- 6) Level the icemaker/storage bin in both the left-to-right and front-to-rear directions. Adjust the storage bin legs to level the icemaker.
- 7) Replace the icemaker's panels. Secure the front panel and rear panel with the proper screw(s) and each side panel with the proper thumbscrew.

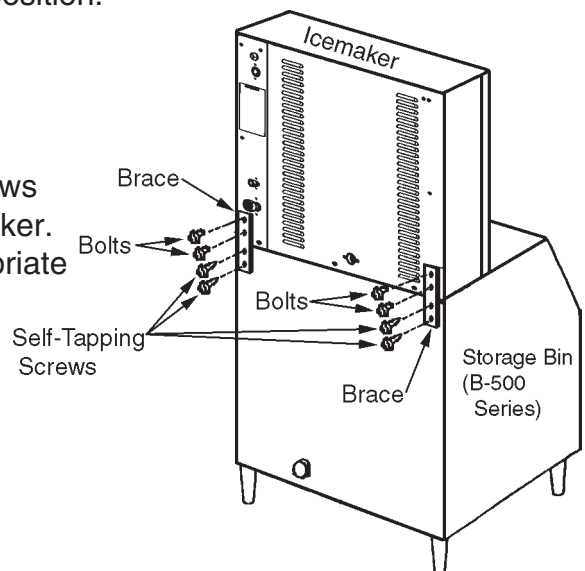


Fig. 2

5. Electrical Connection

This icemaker must have an independent power supply or receptacle of proper capacity. See the nameplate.

6. Installation of Remote Condensing Unit

[a] Checks Before Installation

- 1) Unpack and remove shipping carton, tape(s) and packing.
- 2) Check that the refrigerant lines do not rub or touch lines or other surfaces, and that the fan blade turns freely.
- 3) Make sure that the icemaker, line sets and remote condensing unit all use R-404A refrigerant.

[b] Location

The condensing unit must be positioned in a permanent site under the following guidelines.

- A firm and flat site.
- A dry and well ventilated area with 24" clearance on both front and rear for ease of maintenance and service should they be required.
- Normal condenser ambient temperature: -4°F to $+122^{\circ}\text{F}$. Temperatures not within this operating range may affect the production capacity of the icemaker.
- The maximum line length is 55 feet. Vertical distance between the condensing unit and icemaker should not exceed 30 feet above or 10 feet below the icemaker.

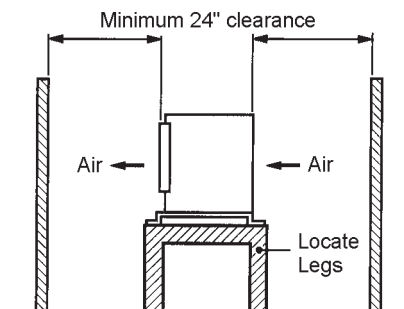


Fig. 3

Note: If the recommended installation guidelines are not followed, icemaker performance may be reduced.

[c] Setup

1) Secure the legs to the condensing unit with eight M8 x 16 mm hexagon bolts and M8 nuts as shown in the illustration. See Fig. 4.
Note: Locate the legs symmetrically.

2) The legs have eight mounting holes. Secure the legs with eight bolts (not included).

3) Install line sets. Precharged tubing kits, available as optional equipment from HOSHIZAKI AMERICA, are recommended.

To fabricate line sets:

a. Install enough length of two copper tubings between the icemaker and the condensing unit. See Fig. 5.

- The maximum line length is 55 feet.
- Vertical distance between the condensing unit and icemaker should not exceed 30 feet above or 10 feet below the icemaker.
- If the vertical distance between the condensing unit and icemaker is greater than 18 feet, a p-trap (5/8" OD tubing) must be installed in the suction line. The p-trap must be within 18 vertical feet of both the condensing unit and the icemaker. This will ensure sufficient oil return to the compressor.

b. Insulate the two copper tubings separately.

c. Install Parker quick connect couplings on each end.

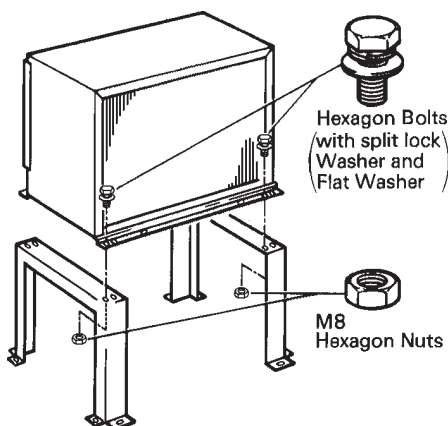


Fig. 4

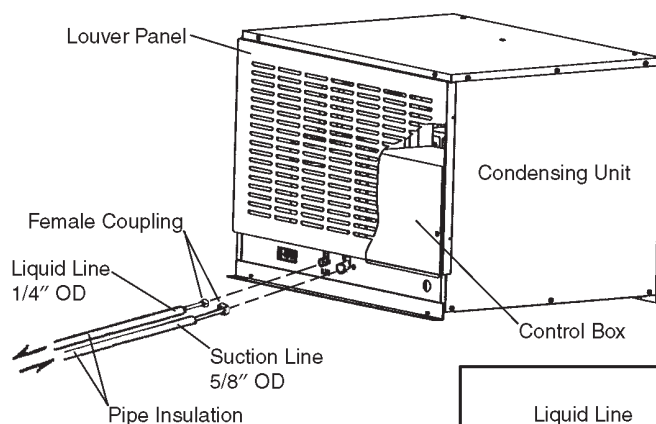
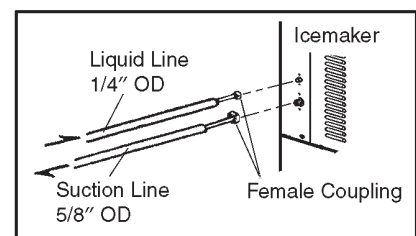


Fig. 5



4) Line sets fabricated in the field should be evacuated through the charging ports on the Parker quick connect couplings and charged with R-404A refrigerant vapor to a pressure of 15-30 PSIG.

Note: Factory fabricated tubing kits are precharged and do not need to be evacuated.

- 5) Remove the plastic caps protecting the couplings. Apply two drops of POE oil to the male threads of the couplings. Attach the two refrigerant lines to the male couplings on the icemaker and the remote condensing unit. The couplings must be tightened 1/4 turn beyond fully seated. Each refrigerant line must be connected as follows:

Icemaker suction refrigerant line - 5/8" OD tubing

Icemaker liquid refrigerant line - 1/4" OD tubing

Note: Make the connections at the remote condensing unit first and then at the icemaker.

[d] Electrical Connection

WARNING

1. This condensing unit must have a separate power supply. See the nameplate.
2. This condensing unit requires a ground that meets the national and local electrical code requirements. To prevent possible electrical shock to individuals or extensive damage to equipment, install a proper ground wire to this condensing unit.

- The opening for the power supply connection is 7/8" DIA to fit a 1/2" trade size conduit.
- Usually an electrical permit and services of a licensed electrician are required.
- Installation of an external power disconnect may be required by local code.

- 1) Remove the louver panel.
- 2) Remove the control box cover.
- 3) Connect the three loose leads in the control box to the power supply.
Note: The white lead must be attached to the neutral line.
- 4) Replace the control box cover and the louver panel in their correct positions.
Note: The icemaker and condensing unit have independent power supply circuits.

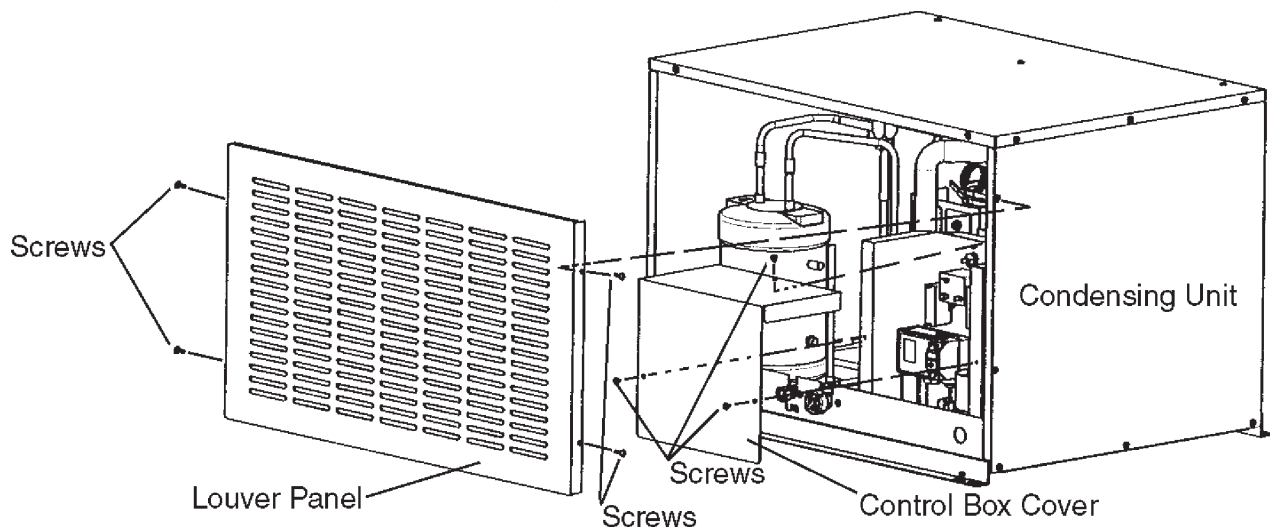
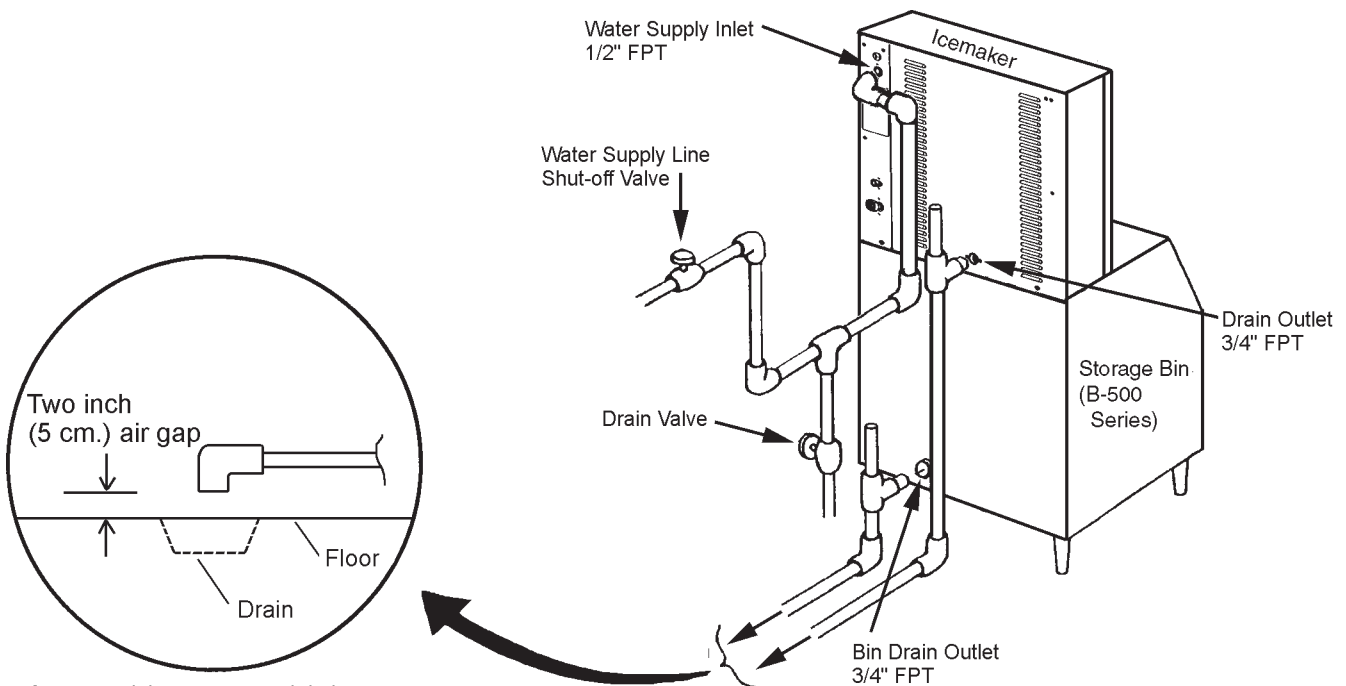


Fig. 6

7. Water Supply and Drain Connections

See Fig. 7

- External filters or strainers may be required depending on the water quality.
- Water supply inlet is 1/2" female pipe thread (FPT).
- A water supply line shut-off valve and drain valve should be installed. A minimum of 3/8" OD copper tubing is recommended for the water supply lines.
- Water supply pressure should be a minimum of 10 PSIG and a maximum of 113 PSIG. If the pressure exceeds 113 PSIG, the use of a pressure reducing valve is required.
- Drain outlet for icemaking is 3/4" FPT. The icemaker drain piping connections must be made separately from the bin drain piping connections.
- A vented tee connection is required for proper flow.
- The drains must have 1/4" fall per foot on horizontal runs to get a good flow.
- The drains should not be piped directly to the sewer system. An air gap of a minimum of 2 vertical inches should be between the end of the drain pipe from the icemaker or the ice bin and the floor drain.
- A plumbing permit and services of a licensed plumber may be required in some areas.



- Separate piping to approved drain. Leave a 2-inch (5 cm.) vertical air gap between the end of each pipe and the drain.
- 1/4" fall per foot on horizontal run.

Fig. 7

8. Timer Setting

See Fig. 8

The ice machine is equipped with an adjustable timer in the control box. It controls the amount of time the machine waits before shutting down after ice is detected by the bin control; the timer thereby controls the ice level in the bin or dispenser. The timer is factory set to the minimum delay of 10 seconds.

Observe the following guidelines when selecting a timer setting.

- When installed on a Hoshizaki bin, any timer setting is acceptable. Increasing the timer setting will allow a higher level of ice in the bin before the ice machine shuts down.
- When installed on a Lancer dispenser designed for cubelet ice, the timer setting must remain at 10 seconds.
- For other dispenser applications, the ice level at shutoff may need to be adjusted depending on the dispenser agitation or dispense method. Observe the ice level in the bin after the unit cycles off with the 10 second setting and adjust as necessary for the proper fill level.

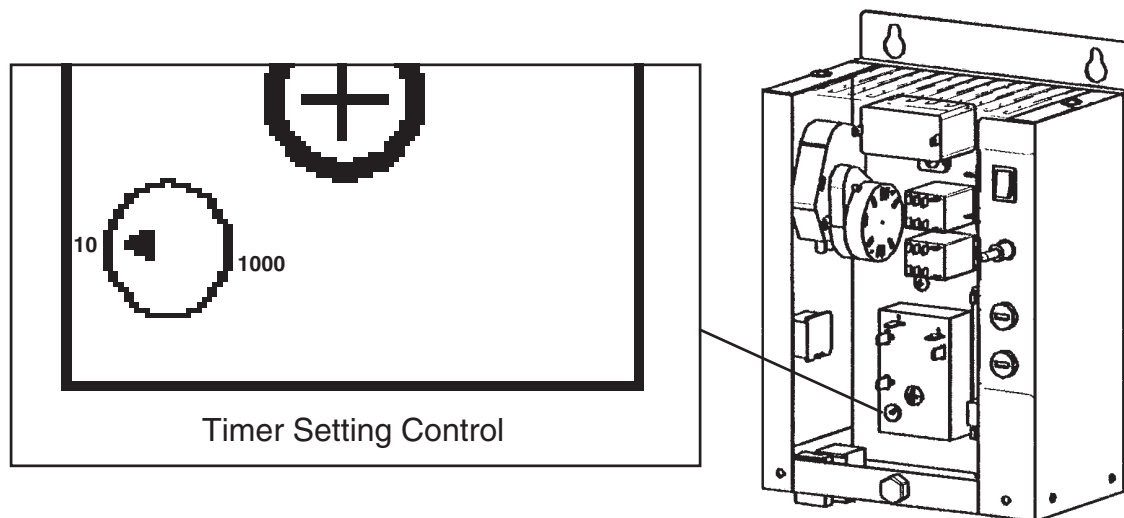


Fig. 8

9. Final Checklist

- 1) Is the icemaker level?
- 2) Is the icemaker in a site where the ambient temperature is within +45°F to +100°F and the water temperature within +45°F to +90°F all year around?
- 3) Is there at least 6" clearance at rear and sides and 24" at top for maintenance or service?
- 4) Have all shipping carton, tape(s) and packing been removed from the icemaker?
- 5) Are all components, fasteners and thumbscrews securely in place?
- 6) Have all electrical and piping connections been made?
- 7) Has the power supply voltage been checked or tested against the nameplate rating?
- 8) Are the water supply line shut-off valve and drain valve installed? Has the water supply pressure been checked to ensure a minimum of 10 PSIG and a maximum of 113 PSIG?

Note: The icemaker stops running when the water supply is OFF or when the pressure is below 10 PSIG. When the proper water pressure is restored, the icemaker automatically starts running again.

- 9) Have the compressor hold down bolts and the refrigerant lines been checked against vibration and possible failure?
- 10) Has the bin control switch been checked for correct operation? To check, use an object to cover the chute opening on the bottom of the icemaker. The pump down solenoid should de-energize within 90 seconds.
- 11) Has the secondary bin control been checked for correct operation? Move the actuator located in the top of the chute. The gear motor should stop in 6 seconds.
- 12) Has the end user been given the instruction manual, and instructed on how to operate the icemaker and the importance of the recommended periodic maintenance?
- 13) Has the end user been given the name and telephone number of an authorized service agent?
- 14) Has the warranty tag been filled out and forwarded to the factory for warranty registration?

10. Startup

IMPORTANT

1. The condensing unit is shipped with the contacts of the secondary low pressure switch open. Once power is supplied to the condensing unit, wait at least 4 hours before starting the unit. This will allow the system to settle and refrigerant to evaporate from oil in the compressor. To start the unit, press the manual reset button on the secondary low pressure switch. Doing this will prevent damage to the compressor.
2. If the unit is turned off, wait for at least 3 minutes before restarting the icemaker to prevent damage to the evaporator.
3. In the event of a power failure that is less than 3 minutes in duration, the gear motor fuse in the ice machine could blow upon restart. If this occurs, turn off the machine, replace the fuse and wait at least 3 minutes before restarting.

- 1) Clean the storage bin. (See “III. 2. Maintenance Instructions.”)
- 2) Open the water supply line shut-off valve.
- 3) Move the flush switch on the control box to the “ICE” position.
- 4) Turn on the power switch on the control box.
- 5) Replace all exterior panels in their correct positions.
- 6) Turn on the power supply.

11. Preparing the Icemaker for Long Storage

See Fig. 9

WARNING

When shutting off the icemaker for an extended time, drain out all water from the water line and remove the ice from the storage bin. The storage bin should be cleaned and dried. Drain the icemaker to prevent damage to the water supply line at sub-freezing temperatures, using air or carbon dioxide. Shut off the icemaker until the proper ambient temperature is resumed.

- 1) Run the icemaker with the water supply line shut-off valve closed.
- 2) Open the drain valve and blow out the water inlet line by using air pressure.
- 3) Turn off the power supply.
- 4) Remove the front panel.
- 5) Move the flush switch on the control box to the "FLUSH" position.
- 6) Turn on the power supply, and then drain out all water from the water line.
- 7) Turn off the power supply.
- 8) Turn off the power switch on the control box.
- 9) Replace the front panel in its correct position.
- 10) Close the drain valve.
- 11) Remove all ice from the storage bin, and clean the bin.

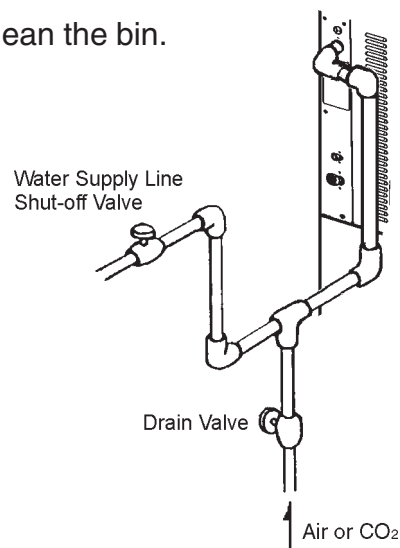


Fig. 9

III. Cleaning and Maintenance

IMPORTANT

Ensure all components, fasteners and thumbscrews are securely in place after any maintenance or cleaning is done to the equipment.

1. Cleaning and Sanitizing Instructions

WARNING

1. HOSHIZAKI recommends cleaning this unit at least once a year. More frequent cleaning, however, may be required in some existing water conditions.
2. To prevent injury to individuals and damage to the icemaker, do not use ammonia type cleaners.
3. Always wear liquid-proof gloves to prevent the cleaning and sanitizing solutions from coming into contact with skin.

[a] Cleaning Solution

Dilute 4.8 fl. oz. (142 ml) of recommended cleaner Hoshizaki "Scale Away" or "LIME-A-WAY" (Economics Laboratory, Inc.) with 0.8 gallons (3 l) of warm water. This is a minimum amount. Make more solution if necessary.

IMPORTANT

For safety and maximum effectiveness, use the solution immediately after dilution.

[b] Cleaning Procedure

The cleaning process will remove lime deposits from the water system.

- 1) Remove the front panel and top panel, then turn off the power supply.
- 2) Close the water supply line shut-off valve.
- 3) Remove all ice from the storage bin.
- 4) Move the flush switch to the "FLUSH" position.
- 5) Turn on the power supply and drain out all water from the water line.
- 6) Turn off the power supply.
- 7) Remove the control water valve by removing the fitting nut and two mounting screws. Do not lose the packing.
- 8) Check the control water valve screen for debris and clean as necessary.
- 9) Replace the control water valve in its correct position.
- 10) Remove the strap connecting the spout to the chute assembly.
- 11) Remove the thumbscrews securing the spout and lift it off.
- 12) Pour the cleaning solution over the extruding head until the evaporator assembly and the reservoir are filled and the solution starts to overflow into the drain pan.
Note: If there is excess scale on the extruding head, fill the evaporator assembly and reservoir as described above, then use a clamp on the reservoir hose between the reservoir and evaporator assembly to block flow. Pour additional cleaning fluid over the extruding head until the evaporator assembly is completely full.
- 13) Replace the spout and strap in their correct positions.
- 14) Allow the icemaker to sit for about 10 minutes before operation. If you placed a clamp on the reservoir hose in step 9, remove it before operation.
- 15) Move the flush switch to the "ICE" position, then turn on the power supply. Replace the top panel and front panel in their correct positions. Make ice using the solution until the icemaker stops making ice.
Note: Always discard the contaminated ice produced during this procedure.
- 16) Remove the front panel.
- 17) Move the flush switch to the "FLUSH" position to drain the remainder of the solution.

- 18) After the solution is drained, move the flush switch to the "ICE" position.
- 19) Replace the front panel in its correct position.
- 20) Open the water supply line shut-off valve and supply water to the reservoir.
- 21) When the gear motor starts, remove the front panel and turn off the power supply.
- 22) Drain out all water from the water line. See 4) through 6).

[c] Sanitizing Solution

Dilute 2.5 fl. oz. (74 ml or 5 tbs) of IMS-II Sanitizer or a 5.25% sodium hypochlorite solution (chlorine bleach) with 5 gallons (19 l) of warm water.

IMPORTANT

For safety and maximum effectiveness, use the solution immediately after dilution.

[d] Sanitizing Procedure - Initial

The sanitizing process will sanitize the icemaker.

- 1) Close the water supply line shut-off valve.
- 2) Remove the strap connecting the spout to the chute assembly.
- 3) Remove the thumbscrews securing the spout and lift it off. Remove the rubber O-ring and nylon O-ring at the top of the cylinder and also remove the packing between the spout and the chute.
- 4) Pour the sanitizing solution over the extruding head until the evaporator assembly and the reservoir are filled and the solution starts to overflow into the drain pan.
- 5) Remove the two thumbscrews securing the proximity switch to the chute assembly.
- 6) Remove the chute assembly from the icemaker.
- 7) Remove the packing at the bottom of the ice chute.
- 8) Remove the three ties and the chute insulation.
- 9) Remove the six wing nuts and two baffles.
- 10) Remove the two thumbscrews, the plate and the packing from the top of the ice chute, then remove the bin control assembly by sliding it slightly toward the chute opening and lifting it off.

- 11) Disassemble the bin control assembly by removing the two snap pins, shaft and actuator.
- 12) Soak the removed parts in .25 gallons (1 l) of sanitizing solution for 10 minutes then wipe them down.
- 13) Rinse the parts thoroughly.

IMPORTANT

If the solution is left on these parts, they will rust.

- 14) Replace all parts in their correct positions.

IMPORTANT

When installing the baffles, make sure that the bent surface (the one without the studs) faces the actuator so that the bent surface can guide the ice to the center of the actuator.

- 15) Move the flush switch to the “ICE” position, then turn on the power supply. Replace the top panel and front panel in their correct positions. Make ice using the solution until the icemaker stops making ice.
Note: Always discard the contaminated ice produced during this procedure.

[e] Sanitizing Procedure - Final

- 1) Remove the front panel and top panel, then turn off the power supply.
- 2) Move the flush switch to the “FLUSH” position.
- 3) Turn on the power supply and drain out all water from the water line.
- 4) Turn off the power supply.
- 5) Remove the strap connecting the spout to the chute assembly.
- 6) Remove the thumbscrews securing the spout and lift it off.
- 7) Pour the sanitizing solution over the extruding head until the evaporator assembly and the reservoir are filled and the solution starts to overflow into the drain pan.
- 8) Replace the spout and strap in their correct positions.
- 9) Allow the icemaker to sit for about 10 minutes before operation.
- 10) Move the flush switch to the “ICE” position, then turn on the power supply. Replace the top panel and front panel in their correct positions. Make ice using the solution until the icemaker stops making ice.
Note: Always discard the contaminated ice produced during this procedure.

- 11) Remove the front panel.
- 12) Move the flush switch to the “FLUSH” position to drain the remainder of the solution.
- 13) After the solution is drained, move the flush switch to the “ICE” position.
- 14) Replace the front panel in its correct position.
- 15) Open the water supply line shut-off valve and supply water to the reservoir.
- 16) When the gear motor starts, remove the front panel and turn off the power supply.
- 17) Drain out all water from the water line. See 2) and 3).
- 18) Move the flush switch to the “ICE” position and run the icemaker.
- 19) Turn off the power supply after 30 minutes.
- 20) Pour warm water into the storage bin to melt all ice, and then clean the bin liner with the solution.
- 21) Flush out any solution from the storage bin.
- 22) Turn on the power supply and start the automatic icemaking process.

IMPORTANT

1. After cleaning, do not use ice made from the sanitizing solution. Be careful not to leave any solution in the storage bin.
2. Follow carefully any instructions provided with the bottles of cleaning or sanitizing solution.
3. Never run the icemaker when the reservoir is empty.

2. Maintenance Instructions

IMPORTANT

1. This icemaker must be maintained individually, referring to the instruction manual and labels provided with the icemaker.
2. To achieve optimum icemaker performance, the following parts need periodic inspection and maintenance:

- Extruding Head and Upper Bearing
- Housing and Lower Bearing
- Evaporator Cylinder
- Auger
- Gear Motor
- Mechanical Seal

These parts should be inspected at least once a year or every 10,000 hours of operation. Their service life, however, depends on water quality and environment. More frequent inspection and maintenance are recommended in bad or severe water conditions.

Replacement of the following consumable parts is recommended if wear exceeds factory recommendations:

- Upper Bearing
- Lower Bearing
- Mechanical Seal

Consult with your local distributor about inspection and maintenance service. To obtain the name and phone number of your local distributor, call Hoshizaki Technical Support at 1-800-233-1940 in the USA.

1) Stainless Steel Exterior

To prevent corrosion, wipe the exterior occasionally with a clean and soft cloth. Use a damp cloth containing a neutral cleaner to wipe off oil or dirt build up.

2) Storage Bin and Scoop

- Wash your hands before removing ice. Use the plastic scoop provided (bin accessory).
- The storage bin is for ice use only. Do not store anything else in the bin.
- Keep the scoop clean. Clean using a neutral cleaner and rinse thoroughly.
- Clean the bin liner using a neutral cleaner. Rinse thoroughly after cleaning.

3) Condenser

Check the condenser once a year and clean the coil if required by using a brush or vacuum cleaner. More frequent cleaning may be required depending on the location of the condensing unit.

HOSHIZAKI AMERICA, INC.

618 Hwy. 74 S., Peachtree City, GA 30269 USA | TEL (770) 487-2331 | FAX (770) 487-3360 | www.hoshizaki.com | 91A2PB10B

Free Manuals Download Website

<http://myh66.com>

<http://usermanuals.us>

<http://www.somanuals.com>

<http://www.4manuals.cc>

<http://www.manual-lib.com>

<http://www.404manual.com>

<http://www.luxmanual.com>

<http://aubethermostatmanual.com>

Golf course search by state

<http://golfingnear.com>

Email search by domain

<http://emailbydomain.com>

Auto manuals search

<http://auto.somanuals.com>

TV manuals search

<http://tv.somanuals.com>