

Hoshizaki America, Inc.

Commercial Series Refrigerated Kitchen Equipment

Models
CR3B-FS
CR3B-HS
CF3B-FS
CF3B-HS



“A Superior Degree
of Reliability”

www.hoshizaki.com

PARTS LIST



Number: 71318
Issued: 3-4-2011

CONTENTS

Auxiliary Codes.....	3
Note About Ordering Parts	3
A. Reach-In Assembly.....	4
B. Refrigeration Circuit.....	7
One Section: CR3B-FS, CR3B-HS.....	7
Two Section: CR3B-FS, CR3B-HS	9
One Section: CF3B-FS, CF3B-HS	11
Two Section: CF3B-FS, CF3B-HS	13
C. Control Box Assembly	15
One & Two Section: CR3B-FS, CR3B-HS	15
One Section: CF3B-FS, CF3B-HS	15
Two Section: CF3B-FS, CF3B-HS.....	16
D. Door-Right Hinged.....	17
Full Solid: CR3B-FS, CF3B-FS.....	17
Half Solid: CR3B-HS, CF3B-HS	18
E. Door-Left Hinged	20
Full Solid: CR3B-FS, CF3B-FS.....	20
Half Solid: CR3B-HS, CF3B-HS	21
F. Accessories & Packaging	23

Auxiliary Codes

CR3B-FS

A-5 February 2011

CF3B-FS

A-5 January 2011

CR3B-HS

A-5 March 2011

CF3B-HS

A-5 TBD

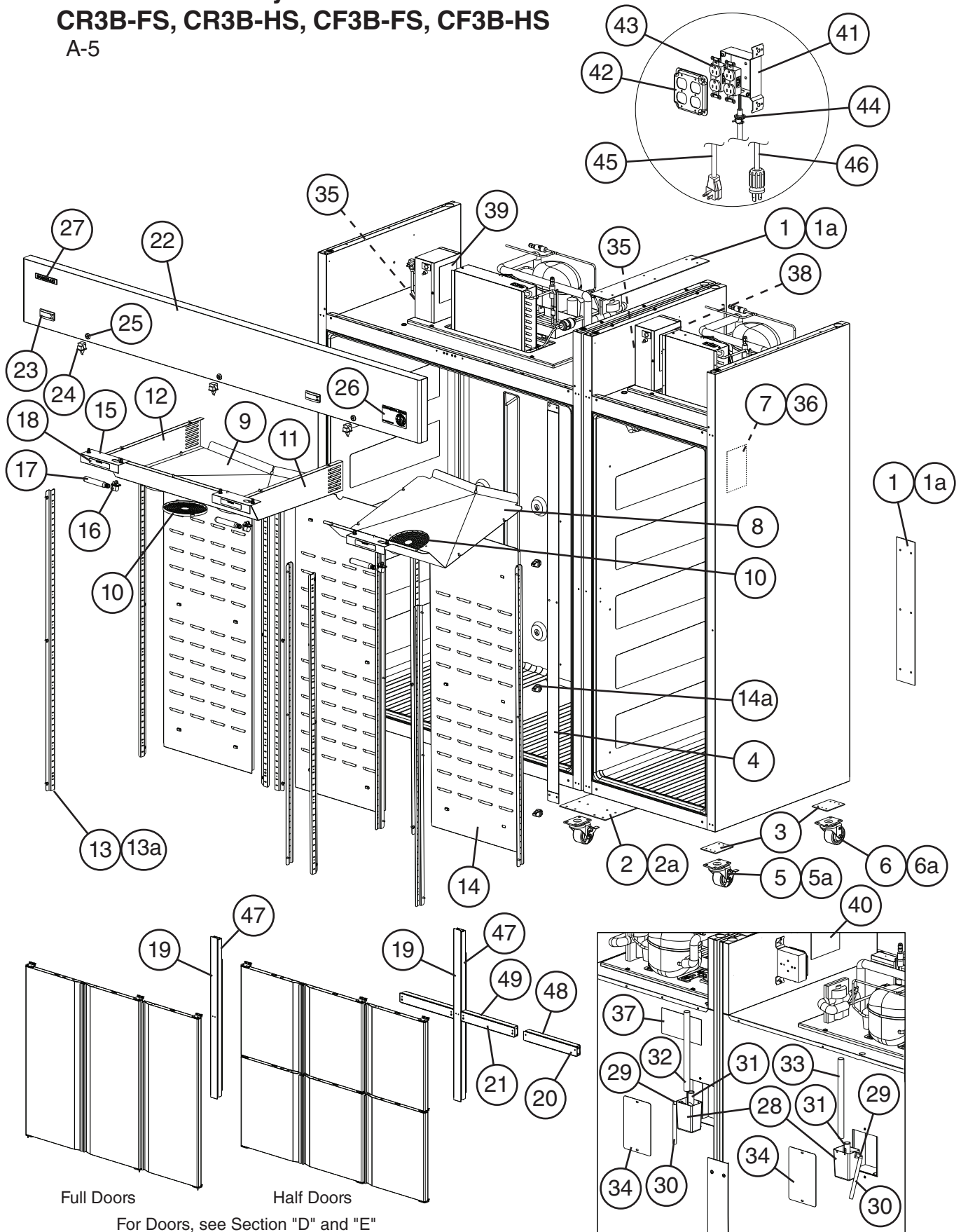
Auxiliary Code Breakdown

The auxiliary code is the first two characters in the serial number. The first character indicates the year. Years progress or regress in alphabetical order. The series runs from "A" through "V" and the letters "I" and "O" are skipped. The second character indicates significant part changes within a year. Base is "5" and this number advances for each change.

Note About Ordering Parts

Most assemblies cannot be ordered as complete units; parts in the assemblies generally must be ordered separately.

A. Reach-In Assembly
CR3B-FS, CR3B-HS, CF3B-FS, CF3B-HS
 A-5



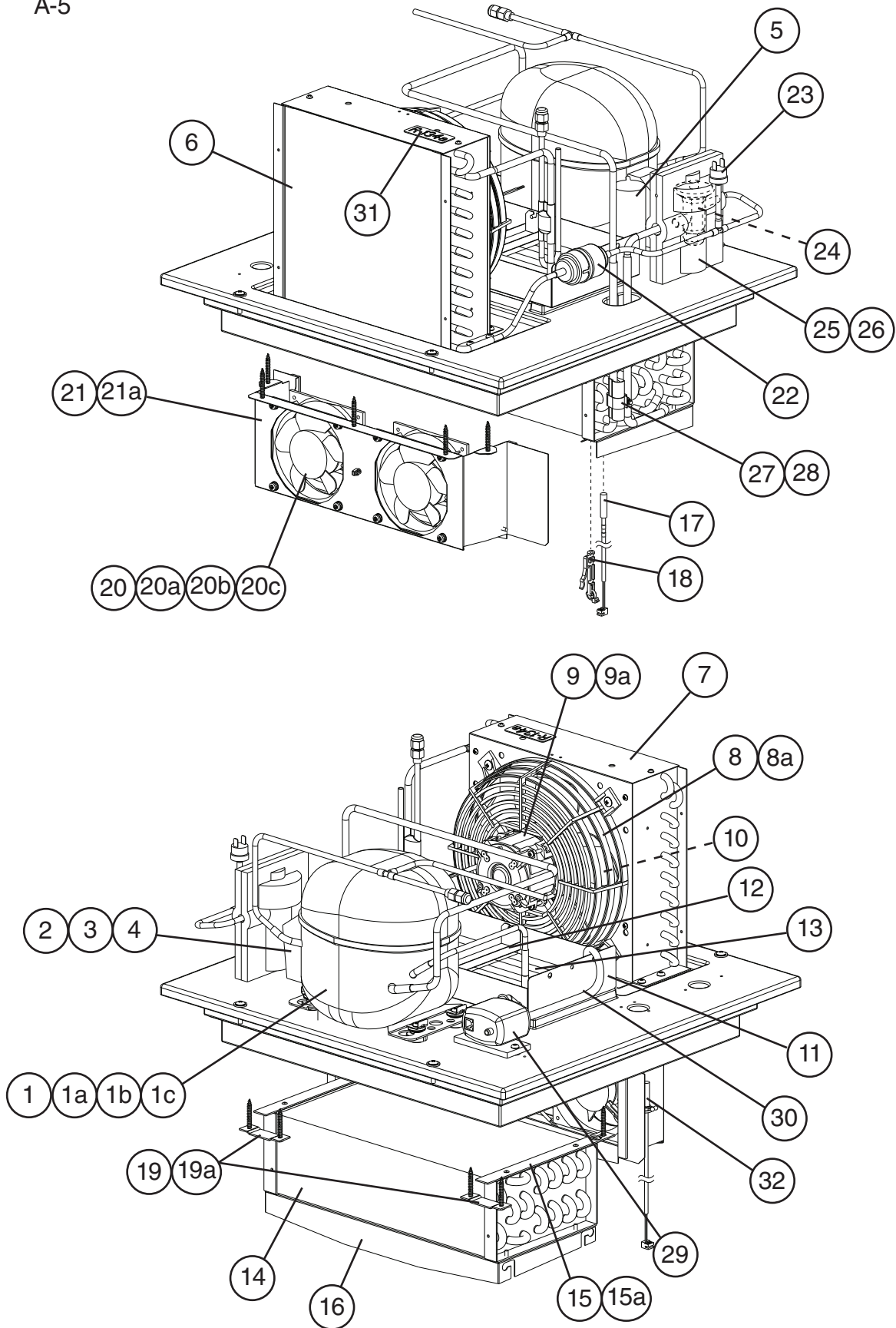
Full Doors Half Doors
 For Doors, see Section "D" and "E"

For Float Switch, see Condensate Water Pump in Section "B"

Title: A. Reach-In Assembly Models: CR3B-FS, CR3B-HS, CF3B-FS, CF3B-HS											
Index No.	Description	Material or Model Number	Part Number	Required Number							
				A-5							
Reach-In Assembly Order Assembly Parts Individually		CR3B-FS	1A2148A01	1							
		CR3B-HS	1A2152A01	1							
		CF3B-FS	1A2150A01	1							
		CF3B-HS	1A2154A01	1							
1	Top-Rear Plate		3A6405-01	2							
1a	Truss Head Screw	5x10, SS	7C32-0510	12							
2	Base Plate		3A6403-01	1							
2a	Hex Head Tapping Bolt	1/4-20x3/4	4A5213-01	8							
3	Caster Plate		3A6402-01	4							
4	Front Plate		3A6404-01	1							
5	4-Inch Locking Caster		4A4275-01	3							
5a	Hex Head Tapping Bolt	1/4-20x3/4	4A5213-01	12							
6	4-Inch Non-Locking Caster		4A4275-02	2							
6a	Hex Head Tapping Bolt	1/4-20x3/4	4A5213-01	12							
7	Nameplate Cover		4A3727-01	1							
8	Evaporator Fan Shroud: One Section		3A6446G01	1							
9	Evaporator Fan Shroud: Two Section		3A6212G01	1							
10	Fan Guard		4A4860-01	4							
11	Evaporator Fan Shroud Side (R): Two Section		3A6629G01	1							
12	Evaporator Fan Shroud Side (L): Two Section		3A6638G01	1							
13	Pilaster		3A0145-22	12							
13a	Truss Head Screw	5x10, SS	7C32-0510	36							
14	Rear Duct Panel		2A5205-01	3							
14a	Duct Stand Off		4A4874-01	18							
15	Light Plate		3A6530-01	3							
16	Light Socket		4A4443-01	3							
17	Light Bulb		4A4444-01	3							
18	Warning Label		4A2968-03	3							
19	Vertical Mullion Face: Two Section (includes heater)		2A5906G01	1							
20	Horizontal Mullion Face: One Section (includes heater)	CR3B-HS CF3B-HS	3A5684G01	1							
21	Horizontal Mullion Face: Two Section (includes heater)	CR3B-HS CF3B-HS	3A5910G01	2							
22	Front Panel		2A6416-01	1							
23	Display Module (includes mounting clips)		4A4862-01	2							
24	Door Switch		3A1826-01	3							
25	Lock (includes 2 keys)		4A4924-01	3							
26	Commercial Label	CR3B-FS CR3B-HS CF3B-FS CF3B-HS	3A5816-01	1							
			3A5816-02	1							
27	Emblem		4A0560-01	1							
28	Drain Reservoir		3A5565-01	2							
29	Drain Fitting		4A2792-01	2							
30	Silicone Hose	L=150	773013812	2							

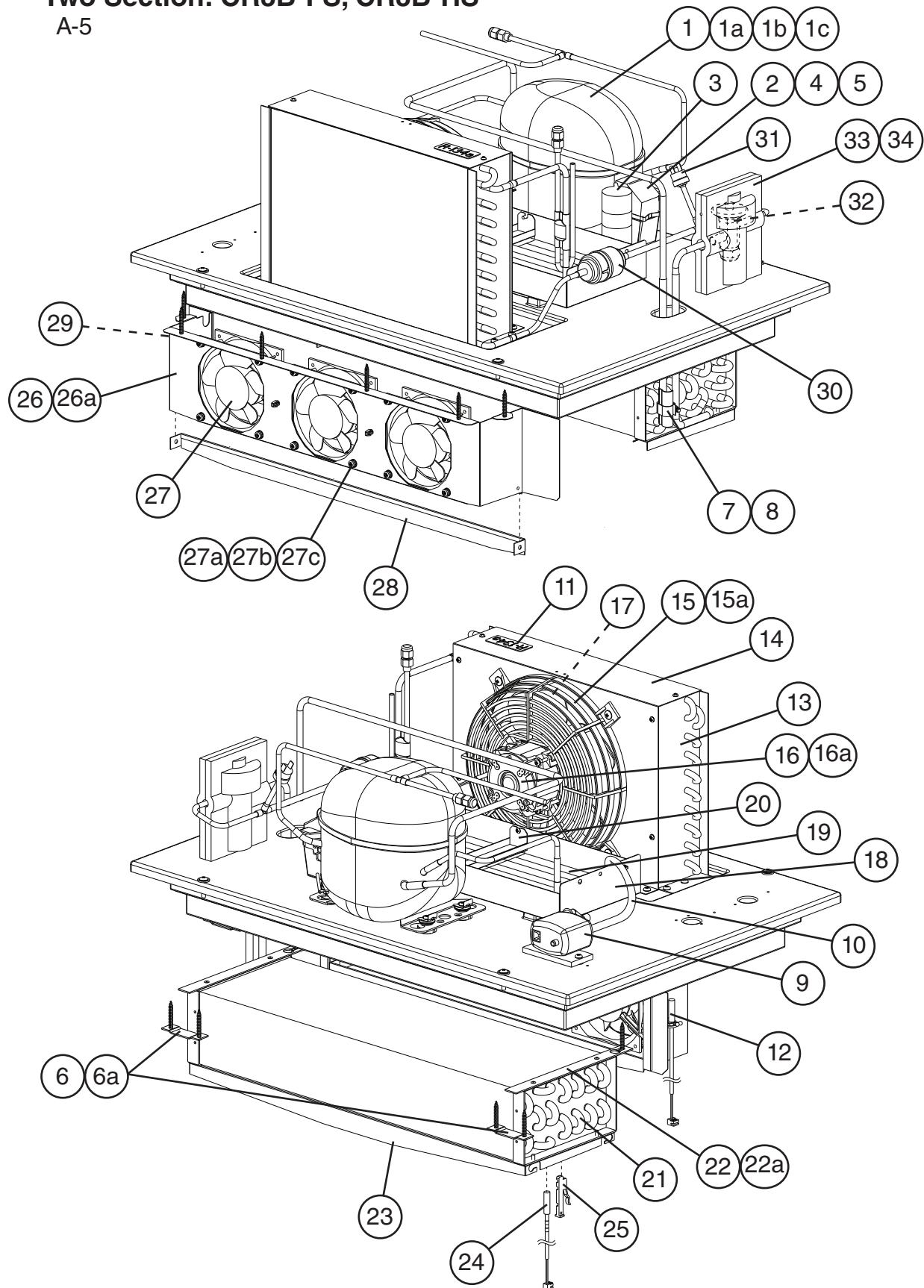
Title: A. Reach-In Assembly Models: CR3B-FS, CR3B-HS, CF3B-FS, CF3B-HS												
Index No.	Description	Material or Model Number	Part Number	Required Number								
				A-5								
31	Drain Boot		4A4938-01	2								
32	PVC Tubing: One Section	L=650	771611438	1								
33	PVC Tubing: Two Section	L=860	771611438	1								
34	Reservoir Cover		3A5898-01	2								
35	Ground Screw		433304-02	2								
36	Commercial Nameplate	CR3B-FS	1A2155-01	1								
		CR3B-HS	1A2155-03	1								
		CF3B-FS	1A2155-02	1								
		CF3B-HS	1A2155-04	1								
37	Caution Label		4A1931-01	1								
38	Wiring Label: One Section	CR3B-FS	3A6581-01	1								
		CR3B-HS										
		CF3B-FS CF3B-HS	3A6583-01	1								
39	Wiring Label: Two Section	CR3B-FS	3A6582-01	1								
		CR3B-HS										
		CF3B-FS CF3B-HS	3A6584-01	1								
40	Wiring Label: Receptacle Box	CR3B-FS	3A6623-01	1								
		CR3B-HS										
		CF3B-FS CF3B-HS	3A6407-01	1								
41	Receptacle Box		4A5314-01	1								
42	Receptacle Cover		4A5315-01	1								
43	Receptacle		4A5316-01	2								
44	Receptacle Box Clamp		4A5317-01	1								
45	Power Cord	CR3B-FS CR3B-HS	4A5379-01	1								
46	Power Cord	CF3B-FS CF3B-HS	4A5318-01	1								
47	Vertical Mullion Thermal Breaker: Two Section	CR3B-FS	2A5908G01	1								
		CF3B-FS										
		CR3B-HS CF3B-HS	2A5908G02	1								
48	Horizontal Mullion Thermal Breaker: One Section	CR3B-HS CF3B-HS	3A5931G01	1								
49	Horizontal Mullion Thermal Breaker: Two Section	CR3B-HS CF3B-HS	3A5951G01	2								

B. Refrigeration Circuit
One Section: CR3B-FS, CR3B-HS
 A-5



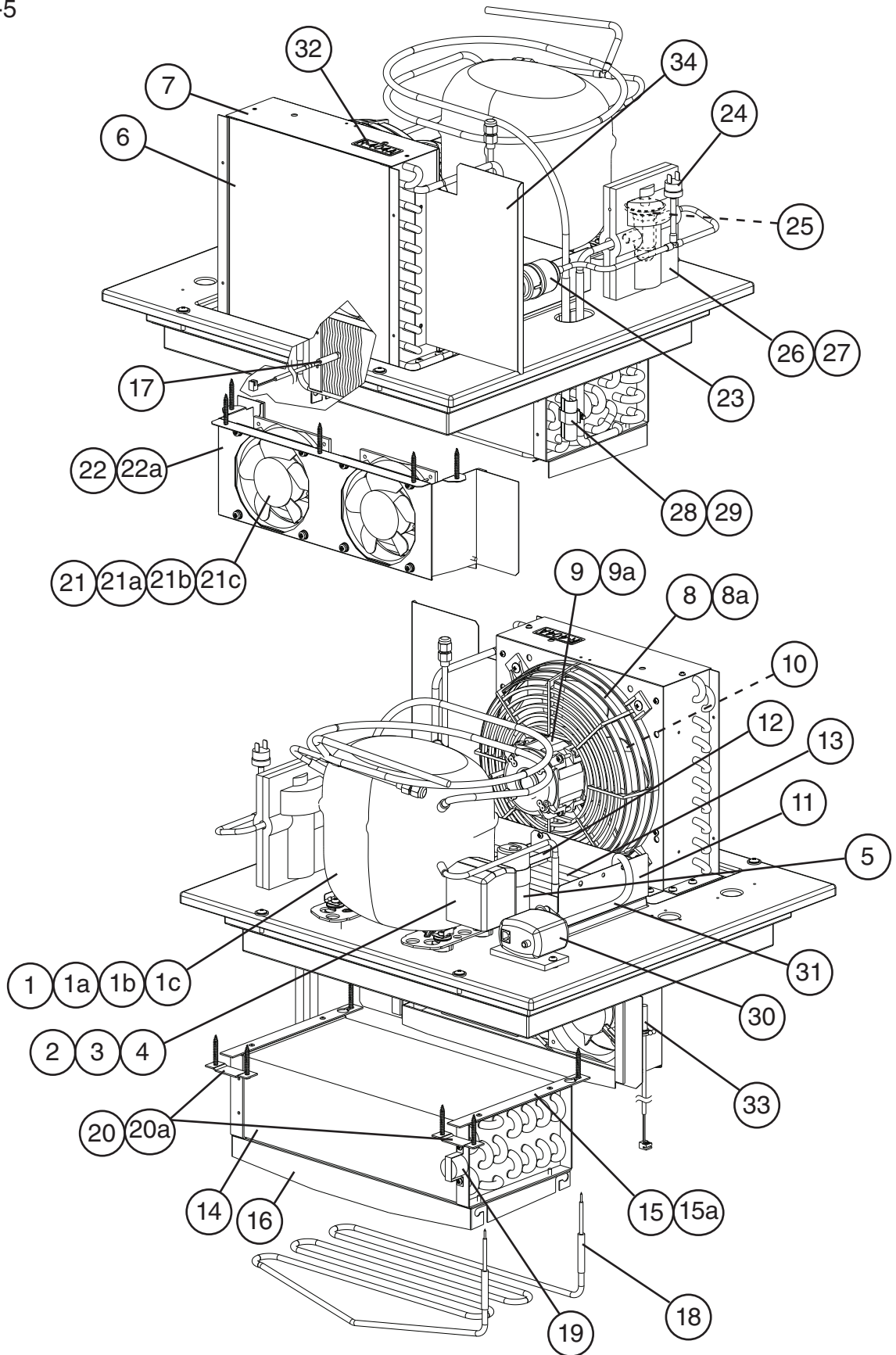
Title: B. Refrigeration Circuit Model: One Section: CR3B-FS, CR3B-HS											
Index No.	Description	Material or Model Number	Part Number	Required Number							
				A-5							
Refrigeration Circuit Order Assembly Parts Individually			1A2160A01	1							
1	Compressor		4A3177-01	1							
1a	Rubber Grommet		4A1452-01	4							
1b	Compressor Clip		4A4867-01	4							
1c	Screw		4A4993-01	4							
2	Terminal Cover (includes clip)		4A2141-01	1							
3	Cord Relief		4A2152-01	2							
4	Start Relay		4A2135-03	1							
5	Start Capacitor	280MFD, 125/165 VAC	4A2134-01	1							
6	Condenser		2A6415-01	1							
7	Condenser Shroud		3A6631G01	1							
8	Condenser Fan Guard		2A5187-01	1							
8a	Truss Head Screw	5x12, SS	7C32-0512	4							
9	Condenser Fan Motor		4A4869-01	1							
9a	Self-Locking Nut	8-32	7N2110832	4							
10	Condenser Fan Blade		3A5817-01	1							
11	Condensate Pan		2A5218-01	1							
12	Condensate Coil Strap		3A5672-01	1							
13	Condensate Coil		3A6465G01	1							
14	Evaporator		2A6463-01	1							
15	Evaporator Bracket		3A5492-01	1							
15a	Screw		4A4993-02	2							
16	Evaporator Drain Bracket		3A5495-01	1							
17	Defrost Thermistor		4A4865-02	1							
18	Thermistor Clip		4A3248G01	1							
19	Evaporator Mount Bracket		3A5493-01	2							
19a	Screw		4A4993-02	4							
20	Evaporator Fan		4A5343-01	2							
20a	Flat Washer		7W22-0500	8							
20b	Split Lock Washer		7L22-0500	8							
20c	Tapping Screw		4A3883-01	8							
21	Evaporator Fan Bracket		2A6424-01	1							
21a	Screw		4A4993-02	5							
22	Drier		4A1113-01	1							
23	High-Pressure Switch		4A2516-01	1							
24	Expansion Valve		4A4597-01	1							
25	Expansion Valve Cover (A)		3A0372-01	1							
26	Expansion Valve Cover (B)		3A0372-02	1							
27	Expansion Valve Bulb Holder		3A0107-01	1							
28	Clamp		443461-01	1							
29	Condensate Water Pump (includes float switch)		3A6339G01	1							
30	PVC Tubing	L=350	771611438	1							
31	R134a Label		444463-01	1							
32	Cabinet Thermistor		4A4864-01	1							

B. Refrigeration Circuit
Two Section: CR3B-FS, CR3B-HS
 A-5



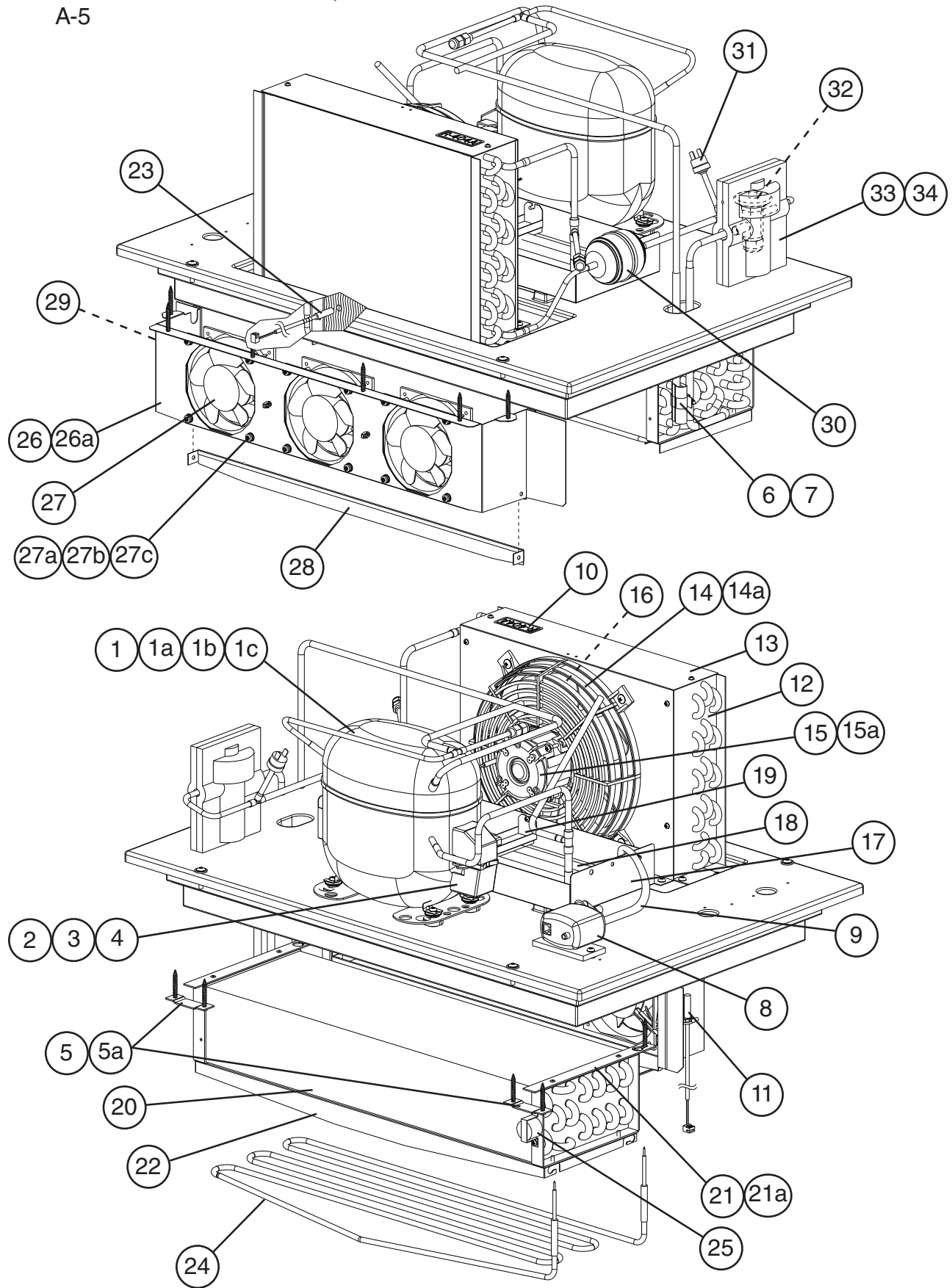
Title: B. Refrigeration Circuit Model: Two Section: CR3B-FS, CR3B-HS											
Index No.	Description	Material or Model Number	Part Number	Required Number							
				A-5							
Refrigeration Circuit Order Assembly Parts Individually			1A2161A01	1							
1	Compressor		4A3958-01	1							
1a	Screw		4A4993-01	4							
1b	Rubber Grommet		4A1452-01	4							
1c	Compressor Clip		4A4867-01	4							
2	Start Relay		4A2135-04	1							
3	Start Capacitor		4A2134-01	1							
4	Terminal Cover (includes clip)		4A2141-01	1							
5	Cord Relief		4A2152-01	2							
6	Evaporator Mount Bracket		3A5493-01	2							
6a	Screw		4A4993-02	4							
7	Expansion Valve Bulb Holder		3A0107-01	1							
8	Clamp		443461-01	1							
9	Condensate Water Pump (includes float switch)		3A6339G01	1							
10	PVC Tubing	L=350	771611438	1							
11	R134a Label		444463-01	1							
12	Cabinet Thermistor		4A4864-01	1							
13	Condenser		2A5862-01	1							
14	Condenser Shroud		3A6630G01	1							
15	Condenser Fan Guard		2A5187-01	1							
15a	Truss Head Screw	5x12, SS	7C32-0512	4							
16	Condenser Fan Motor		4A4869-01	1							
16a	Self-Locking Nut	8-32	7N2110832	4							
17	Condenser Fan Blade		3A5817-01	1							
18	Condensate Pan		2A5218-02	1							
19	Condensate Coil		3A5598-02	1							
20	Condensate Coil Strap		3A5672-01	1							
21	Evaporator		2A6464-01	1							
22	Evaporator Bracket		3A5492-01	2							
22a	Screw		4A4993-02	2							
23	Evaporator Drain Bracket		3A5903-01	1							
24	Defrost Thermistor		4A4865-01	1							
25	Thermistor Clip		4A3248G01	1							
26	Evaporator Fan Bracket		2A6173-01	1							
26a	Screw		4A4993-02	6							
27	Evaporator Fan		4A5343-01	3							
27a	Flat Washer	M5, SS	7W22-0500	12							
27b	Split Lock Washer	M5, SS	7L22-0500	12							
27c	Tapping Screw		4A3883-01	12							
28	Evaporator Shroud		3A5902-01	1							
29	Ground Screw		433304-02	1							
30	Drier		4A1113-01	1							
31	High-Pressure Switch		4A2516-01	1							
32	Expansion Valve		4A4598-01	1							
33	Expansion Valve Cover (A)		3A0372-01	1							
34	Expansion Valve Cover (B)		3A0372-02	1							

B. Refrigeration Circuit
One Section: CF3B-FS, CF3B-HS
 A-5



Title: B. Refrigeration Circuit Model: One Section: CF3B-FS, CF3B-HS										
Index No.	Description	Material or Model Number	Part Number	Required Number						
				A-5						
Refrigeration Circuit Order Assembly Parts Individually			1A2157A01	1						
1	Compressor		4A3808-01	1						
1a	Rubber Grommet		4A1452-01	4						
1b	Compressor Clip		4A4867-01	4						
1c	Screw		4A4993-01	4						
2	Terminal Cover (includes clip)		4A3112-01	1						
3	Cord Relief		4A1454-01	2						
4	Start Relay		4A3113-01	1						
5	Start Capacitor	240MFD, 125/165VAC	4A2134-03	1						
6	Condenser		2A6415-01	1						
7	Condenser Shroud		3A6631G01	1						
8	Condenser Fan Guard		2A5187-01	1						
8a	Truss Head Screw	5x12, SS	7C32-0512	4						
9	Condenser Fan Motor		4A4869-01	1						
9a	Self-Locking Nut	8-32	7N2110832	4						
10	Condenser Fan Blade		3A5817-01	1						
11	Condensate Pan		2A5218-01	1						
12	Condensate Coil Strap		3A5672-01	1						
13	Condensate Coil		3A6465G01	1						
14	Evaporator		2A6463-01	1						
15	Evaporator Bracket		3A5492-01	1						
15a	Screw		4A4993-02	2						
16	Evaporator Drain Bracket		3A5495-01	1						
17	Defrost Thermistor		4A4865-01	1						
18	Defrost Heater		2A5378-01	1						
19	Defrost Thermostat		4A0954-02	1						
20	Evaporator Mount Bracket		3A5493-01	2						
20a	Screw		4A4993-02	4						
21	Evaporator Fan		4A5343-01	2						
21a	Flat Washer		7W22-0500	8						
21b	Split Lock Washer		7L22-0500	8						
21c	Tapping Screw		4A3883-01	8						
22	Evaporator Fan Bracket		2A6424-01	1						
22a	Screw		4A4993-02	5						
23	Drier		4A1113-01	1						
24	High-Pressure Switch		4A2516-02	1						
25	Expansion Valve		4A5344-01	1						
26	Expansion Valve Cover (A)		3A0372-01	1						
27	Expansion Valve Cover (B)		3A0372-02	1						
28	Expansion Valve Bulb Holder		3A0107-01	1						
29	Clamp		443461-01	1						
30	Condensate Water Pump (includes Float Switch)		3A6339G01	1						
31	PVC Tubing	L=350	771611438	1						
32	R404A Label		4A0960-01	1						
33	Cabinet Thermistor		4A4864-01	1						
34	Condenser Block		3A6579-01	1						

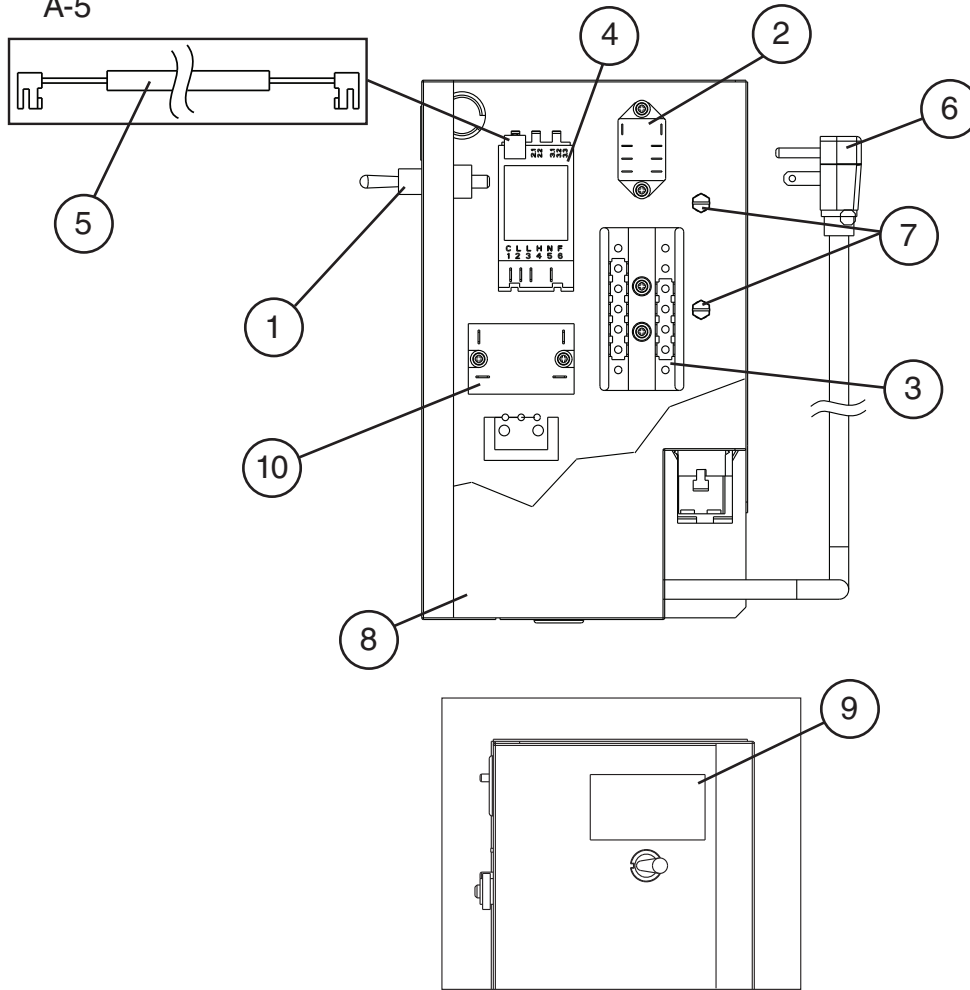
B. Refrigeration Circuit
Two Section: CF3B-FS, CF3B-HS
 A-5



Title: B. Refrigeration Circuit Model: Two Section: CF3B-FS, CF3B-HS												
Index No.	Description	Material or Model Number	Part Number	Required Number								
				A-5								
Refrigeration Circuit Order Assembly Parts Individually			1A2019A01	1								
1	Compressor (includes items 2 through 4)		4A3815-01	1								
1a	Screw		4A4993-01	4								
1b	Rubber Grommet		4A1452-01	4								
1c	Compressor Clip		4A4867-01	4								
2	Terminal Cover (includes clip)		4A2141-01	1								
3	Protector		4A3679-01	1								
4	Protector Holder		4A3680-01	1								
5	Evaporator Mount Bracket		3A5493-01	2								
5a	Screw		4A4993-02	4								
6	Expansion Valve Bulb Holder		3A0107-01	1								
7	Clamp		443461-01	1								
8	Condensate Water Pump (includes float switch)		3A6339G01	1								
9	PVC Tubing	L=350	771611438	1								
10	R404A Label		4A0960-01	1								
11	Cabinet Thermistor		4A4864-01	1								
12	Condenser		2A5902-01	1								
13	Condenser Shroud		3A6630G01	1								
14	Condenser Fan Guard		2A5187-01	1								
14a	Truss Head Screw	5x12, SS	7C32-0512	4								
15	Condenser Fan Motor		4A4869-01	1								
15a	Self-Locking Nut	8-32	7N2110832	4								
16	Condenser Fan Blade		3A5817-01	1								
17	Condensate Pan		2A5218-02	1								
18	Condensate Coil		3A6025-01	1								
19	Condensate Coil Strap		3A5672-01	1								
20	Evaporator		2A6464-01	1								
21	Evaporator Bracket		3A5492-01	2								
21a	Screw		4A4993-02	2								
22	Evaporator Drain Bracket		3A5903-01	1								
23	Defrost Thermistor		4A4865-01	1								
24	Defrost Heater		2A5991-01	1								
25	Defrost Thermostat		4A0954-02	1								
26	Evaporator Fan Bracket		2A6173-01	1								
26a	Screw		4A4993-02	6								
27	Evaporator Fan		4A5343-01	3								
27a	Flat Washer	M5, SS	7W22-0500	12								
27b	Split Lock Washer	M5, SS	7L22-0500	12								
27c	Tapping Screw		4A3883-01	12								
28	Evaporator Shroud		3A5902-01	1								
29	Ground Screw		433304-02	1								
30	Drier		4A0924-01	1								
31	High-Pressure Switch		4A2516-02	1								
32	Expansion Valve		4A5161-01	1								
33	Expansion Valve Cover (A)		3A0372-01	1								
34	Expansion Valve Cover (B)		3A0372-02	1								

C. Control Box Assembly
One & Two Section: CR3B-FS, CR3B-HS
One Section: CF3B-FS, CF3B-HS

A-5

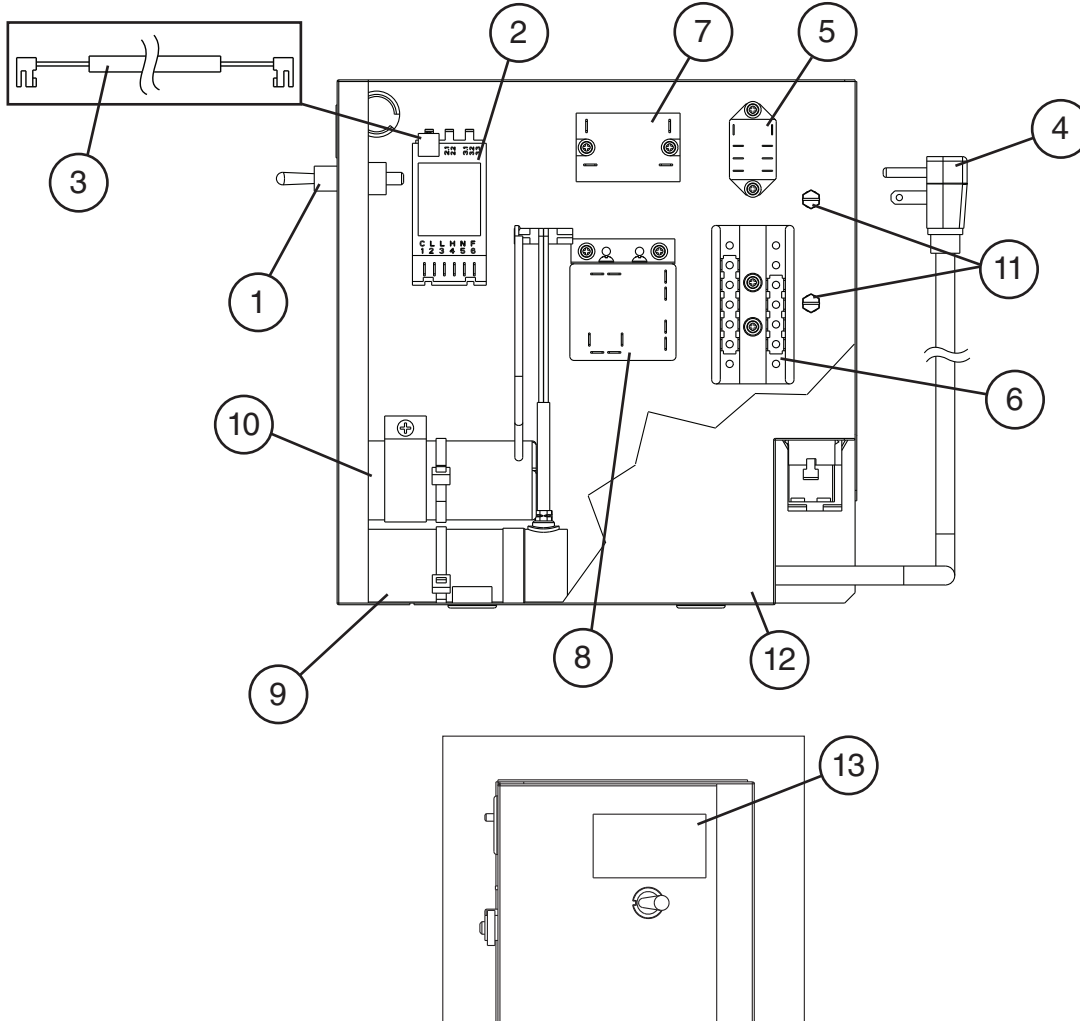


Title: C. Control Box Assembly Model: One & Two Section: CR3B-FS, CR3B-HS; One Section: CF3B-FS, CF3B-HS										
Index No.	Description	Material or Model Number	Part Number	Required Number						
				A-5						
Control Box Assembly Order Assembly Parts Individually		CR3B-FS	2A6115A01	2						
		CR3B-HS								
	CF3B-FS		2A5346A01	1						
	CF3B-HS									
1	Toggle Switch		4A0424-01	1						
2	Door Switch Relay	120VAC	406132-07	1						
3	Terminal Block		4A2619-01	1						
4	Control Module	CR3B-FS	4A4861-03	1						
		CR3B-HS								
		CF3B-FS	4A5101-03	1						
		CF3B-HS								
5	Display Cable		4A4863-01	1						
6	Power Cord		4A0520-01	1						
7	Ground Screw		433304-02	2						
8	Control Box Cover		2A5209-01	1						
9	Power Switch Label		4A2196-01	1						
10	Compressor Relay	120VAC	4A1307-01	1						

C. Control Box Assembly

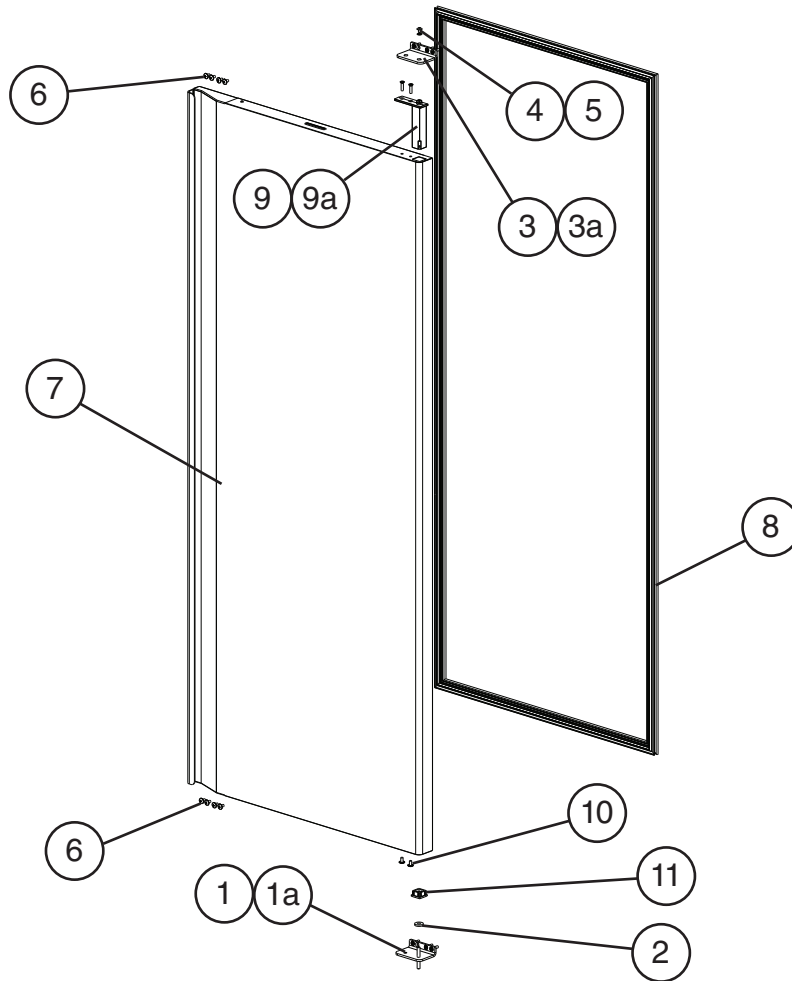
Two Section: CF3B-FS, CF3B-HS

A-5



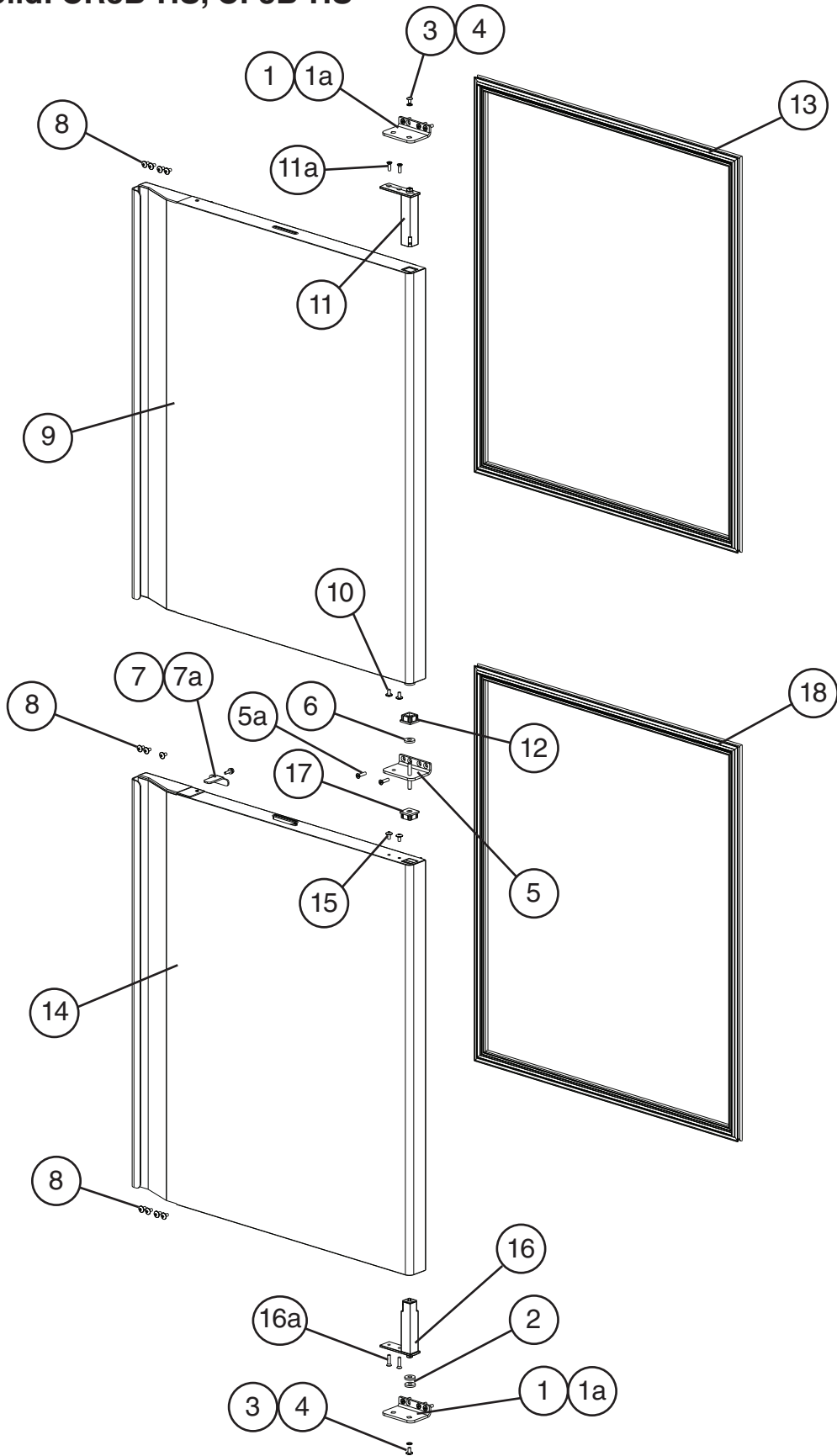
Title: C. Control Box Assembly		Model: Two Section: CF3B-FS, CF3B-HS		Required Number										
Index No.	Description	Material or Model Number	Part Number	A-5										
Control Box Assembly			2A6195A01	1										
Order Assembly Parts Individually														
1	Toggle Switch		4A0424-01	1										
2	Control Module		4A5101-03	1										
3	Display Cable		4A4863-01	1										
4	Power Cord		4A0520-01	1										
5	Door Switch Relay		406132-07	1										
6	Terminal Block		4A2619-01	1										
7	Compressor Relay		4A1307-01	1										
8	Start Relay		4A3683-01	1										
9	Run Capacitor		4A4208-01	1										
10	Start Capacitor		4A2134-02	1										
11	Ground Screw		433304-02	2										
12	Control Box Cover		2A6176-01	1										
13	Power Switch Label		4A2196-01	1										

D. Door-Right Hinged
Full Solid: CR3B-FS, CF3B-FS
 A-5



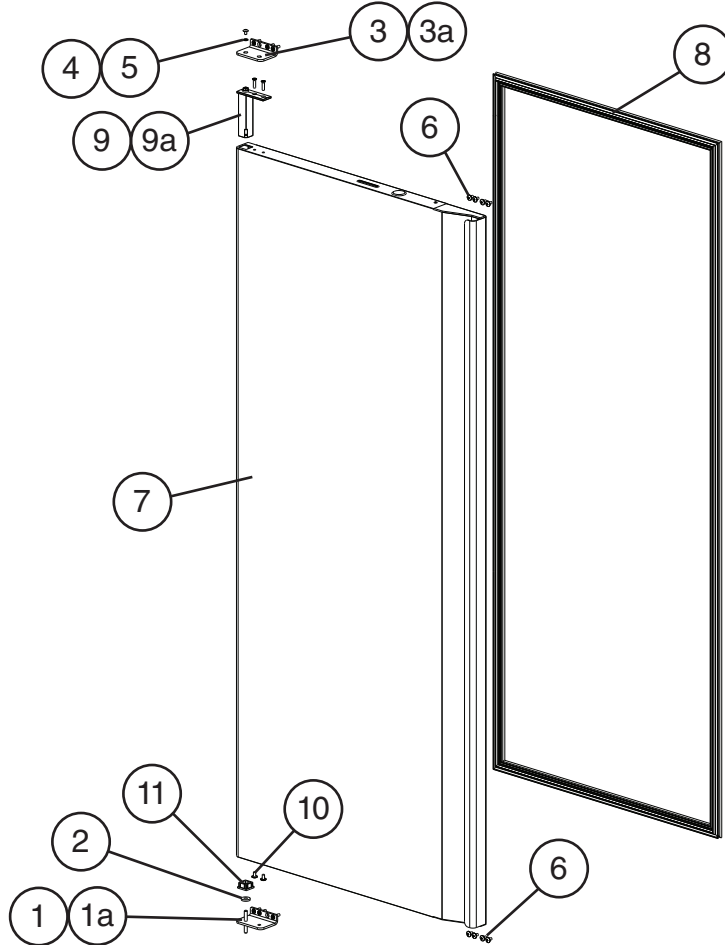
Title: D. Door-Right Hinged Model: Full Solid: CR3B-FS, CF3B-FS										
Index No.	Description	Material or Model Number	Part Number	Required Number						
				A-5						
Door-Right Hinged; Full Solid			2A6257A01	2						
Order Assembly Parts Individually										
1	Hinge Bracket (R)		3A6250G01	1						
1a	Countersunk Screw	5x20, SS	7C42-0520	3						
2	Thrust Washer		4A5234-01	1						
3	Hinge Bracket		3A6249-01	1						
3a	Countersunk Screw	5x20, SS	7C42-0520	3						
4	Lock Washer		4A5231-01	1						
5	Screw		4A5230-01	1						
6	Truss Head Screw (filler screws)	5x10, SS	7C32-0510	8						
7	Door Assembly (R) (includes items 8 through 11)		2A6258G01	1						
8	Door Gasket		2A5192-01	1						
9	Hinge Cartridge		3A6258-01	1						
9a	Countersunk Screw	5x20, SS	7C42-0520	2						
10	Truss Head Screw (filler screws)	5x10, SS	7C32-0510	2						
11	Bearing		4A5232-01	1						

D. Door-Right Hinged
Half Solid: CR3B-HS, CF3B-HS
 A-5



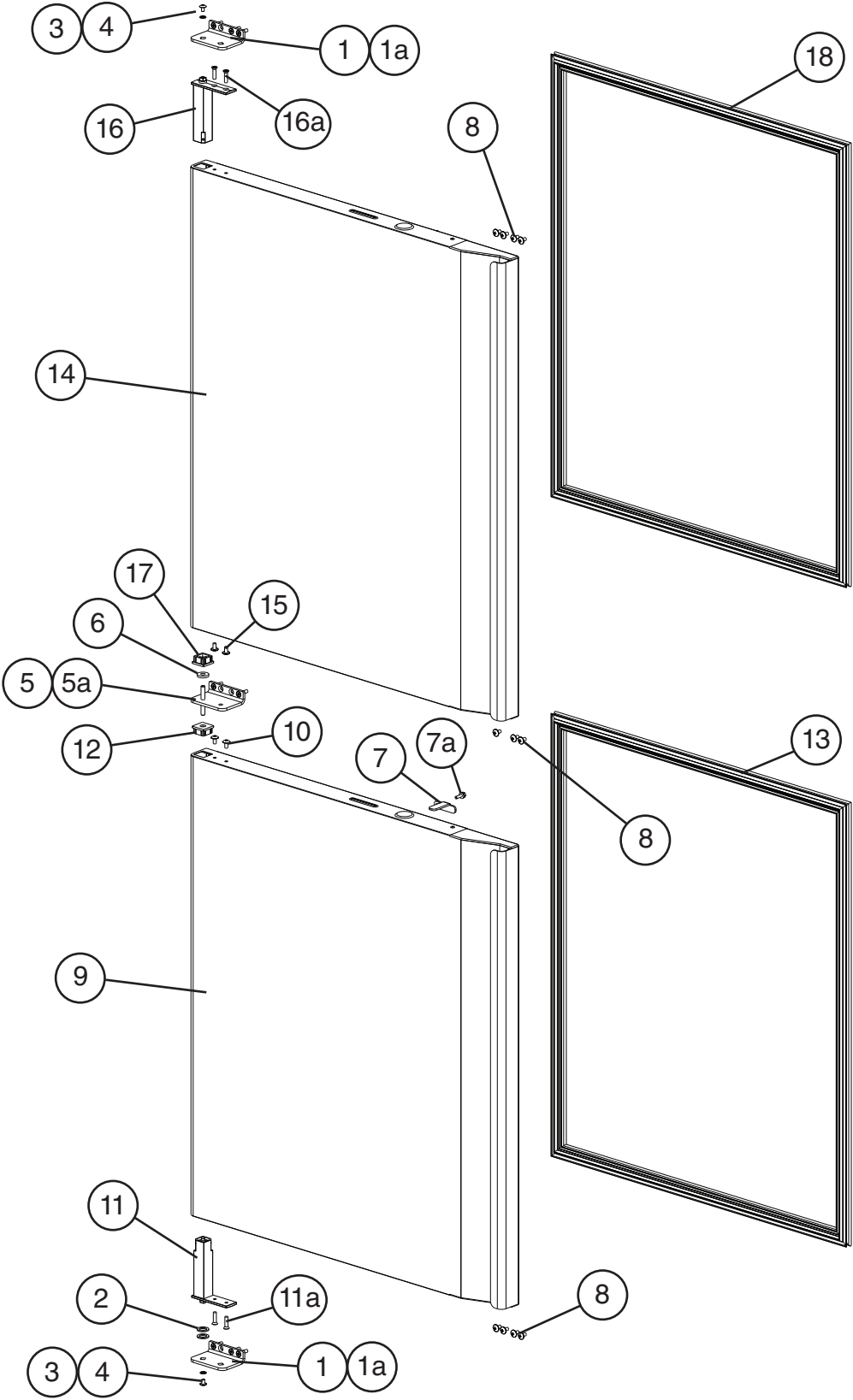
Title: D. Door-Right Hinged Model: Half Solid: CR3B-HS, CF3B-HS												
Index No.	Description	Material or Model Number	Part Number	Required Number								
				A-5								
Door-Right Hinged; Half Solid Order Assembly Parts Individually			2A6251A01	2								
1	Hinge Bracket		3A6249-01	2								
1a	Countersunk Screw	5x20, SS	7C42-0520	6								
2	Thrust Washer		4A5233-01	2								
3	Lock Washer		4A5231-01	2								
4	Screw		4A5230-01	2								
5	Hinge Bracket (R)		3A6250G01	1								
5a	Countersunk Screw	5x20, SS	7C42-0520	2								
6	Thrust Washer		4A5234-01	1								
7	Half Door Lock		4A5249-01	1								
7a	Bolt	5x16, SS	449879-08	1								
8	Truss Head Screw (filler screws)	5x10, SS	7C32-0510	11								
9	Door Assembly (UR, LL) (includes items 10 through 13)		2A6252G01	1								
10	Truss Head Screw (filler screws)	5x10, SS	7C32-0510	2								
11	Hinge Cartridge		3A6258-01	1								
11a	Countersunk Screw	5x20, SS	7C42-0520	2								
12	Bearing		4A5232-01	1								
13	Door Gasket		2A5192-02	1								
14	Door Assembly (LR, UL) (includes items 15 through 18)		2A6253G01	1								
15	Truss Head Screw (filler screws)	5x10, SS	7C32-0510	2								
16	Hinge Cartridge		3A6258-01	1								
16a	Countersunk Screw	5x20, SS	7C42-0520	2								
17	Bearing		4A5232-01	1								
18	Door Gasket		2A5192-02	1								

E. Door-Left Hinged
Full Solid: CR3B-FS, CF3B-FS
 A-5



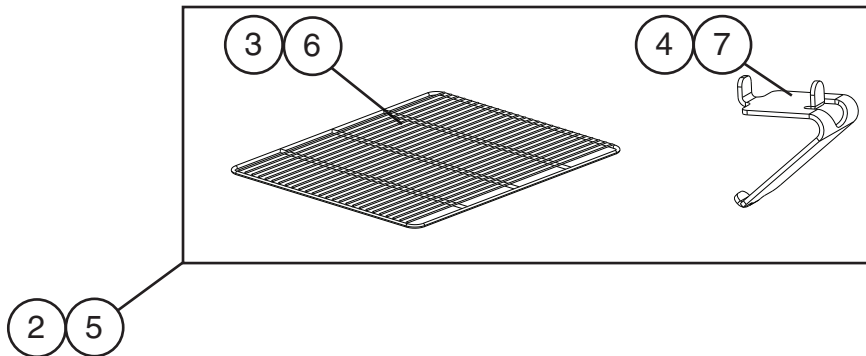
Title: E. Door-Left Hinged Model: Full Solid: CR3B-FS, CF3B-FS											
Index No.	Description	Material or Model Number	Part Number	Required Number							
				A-5							
Door-Left Hinged; Full Solid			2A6263A01	1							
Order Assembly Parts Individually											
1	Hinge Bracket (L)		3A6250G02	1							
1a	Countersunk Screw	5x20, SS	7C42-0520	3							
2	Thrust Washer		4A5234-01	1							
3	Hinge Bracket		3A6249-01	1							
3a	Countersunk Screw	5x20, SS	7C42-0520	3							
4	Lock Washer		4A5231-01	1							
5	Screw		4A5230-01	1							
6	Truss Head Screw (filler screws)	5x10, SS	7C32-0510	8							
7	Door Assembly (L) (includes items 8 through 11)		2A6264G01	1							
8	Door Gasket		2A5192-01	1							
9	Hinge Cartridge		3A6258-01	1							
9a	Countersunk Screw	5x20, SS	7C42-0520	2							
10	Truss Head Screw (filler screws)	5x10, SS	7C32-0510	2							
11	Bearing		4A5232-01	1							

E. Door-Left Hinged
Half Solid: CR3B-HS, CF3B-HS
A-5



Title: E. Door-Left Hinged Model: Half Solid: CR3B-HS, CF3B-HS												
Index No.	Description	Material or Model Number	Part Number	Required Number								
				A-5								
Door-Left Hinged; Half Solid Order Assembly Parts Individually			2A6256A01	1								
1	Hinge Bracket		3A6249-01	2								
1a	Countersunk Screw	5x20, SS	7C42-0520	6								
2	Thrust Washer		4A5233-01	2								
3	Lock Washer		4A5231-01	2								
4	Screw		4A5230-01	2								
5	Hinge Bracket (L)		3A6250G02	1								
5a	Countersunk Screw	5x20, SS	7C42-0520	2								
6	Thrust Washer		4A5234-01	1								
7	Half Door Lock		4A5249-01	1								
7a	Bolt	5x16, SS	449879-08	1								
8	Truss Head Screw (filler screws)	5x10, SS	7C32-0510	11								
9	Door Assembly (UR, LL) (includes items 10 through 13)		2A6252G01	1								
10	Truss Head Screw (filler screws)	5x10, SS	7C32-0510	2								
11	Hinge Cartridge		3A6258-01	1								
11a	Countersunk Screw	5x20, SS	7C42-0520	2								
12	Bearing		4A5232-01	1								
13	Door Gasket		2A5192-02	1								
14	Door Assembly (LR, UL) (includes items 15 through 18)		2A6253G01	1								
15	Truss Head Screw (filler screws)	5x10, SS	7C32-0510	2								
16	Hinge Cartridge		3A6258-01	1								
16a	Countersunk Screw	5x20, SS	7C42-0520	2								
17	Bearing		4A5232-01	1								
18	Door Gasket		2A5192-02	1								

F. Accessories & Packaging
CR3B-FS, CR3B-HS, CF3B-FS, CF3B-HS
A-5



Title: F. Accessories & Packaging Model: CR3B-FS, CR3B-HS, CF3B-FS, CF3B-HS											
Index No.	Description	Material or Model Number	Part Number	Required Number							
				A-5							
1	Instruction Manual		91A3KN10A	1							
2	Shelf Kit: One Section (3 Pack) (includes items 3 and 4)	HS-3508	3A1416A03	1							
3	Shelf		3A1387-01	3							
4	Shelf Clip		428957-01	12							
5	Shelf Kit: Two Section (3 Pack) (one kit includes half of items 6 and 7)	HS-3717	3A6110A01	2							
6	Shelf		3A2830-05	6							
7	Shelf Clip		428957-01	24							
	Packaging	CR3B-FS	1A2147A01								
		CR3B-HS	1A2151A01								
		CF3B-FS	1A2149A01								
		CF3B-HS	1A2153A01								

Free Manuals Download Website

<http://myh66.com>

<http://usermanuals.us>

<http://www.somanuals.com>

<http://www.4manuals.cc>

<http://www.manual-lib.com>

<http://www.404manual.com>

<http://www.luxmanual.com>

<http://aubethermostatmanual.com>

Golf course search by state

<http://golfingnear.com>

Email search by domain

<http://emailbydomain.com>

Auto manuals search

<http://auto.somanuals.com>

TV manuals search

<http://tv.somanuals.com>