

Hoshizaki America, Inc.

Condensing Unit Serenity Series

Model
SRK-12H/3



“A Superior Degree
of Reliability”

www.hoshizaki.com

PARTS LIST



Number: 71346
Issued: 2-7-2013

CONTENTS

Auxiliary Codes.....	3
Note About Ordering Parts	3
A. Condensing Unit & Refrigeration Circuit.....	4
B. Control Box Assembly.....	6
C. Accessories	7

Auxiliary Codes

SRK-12H C-0 February 2013

SRK-12H3 C-0 February 2013

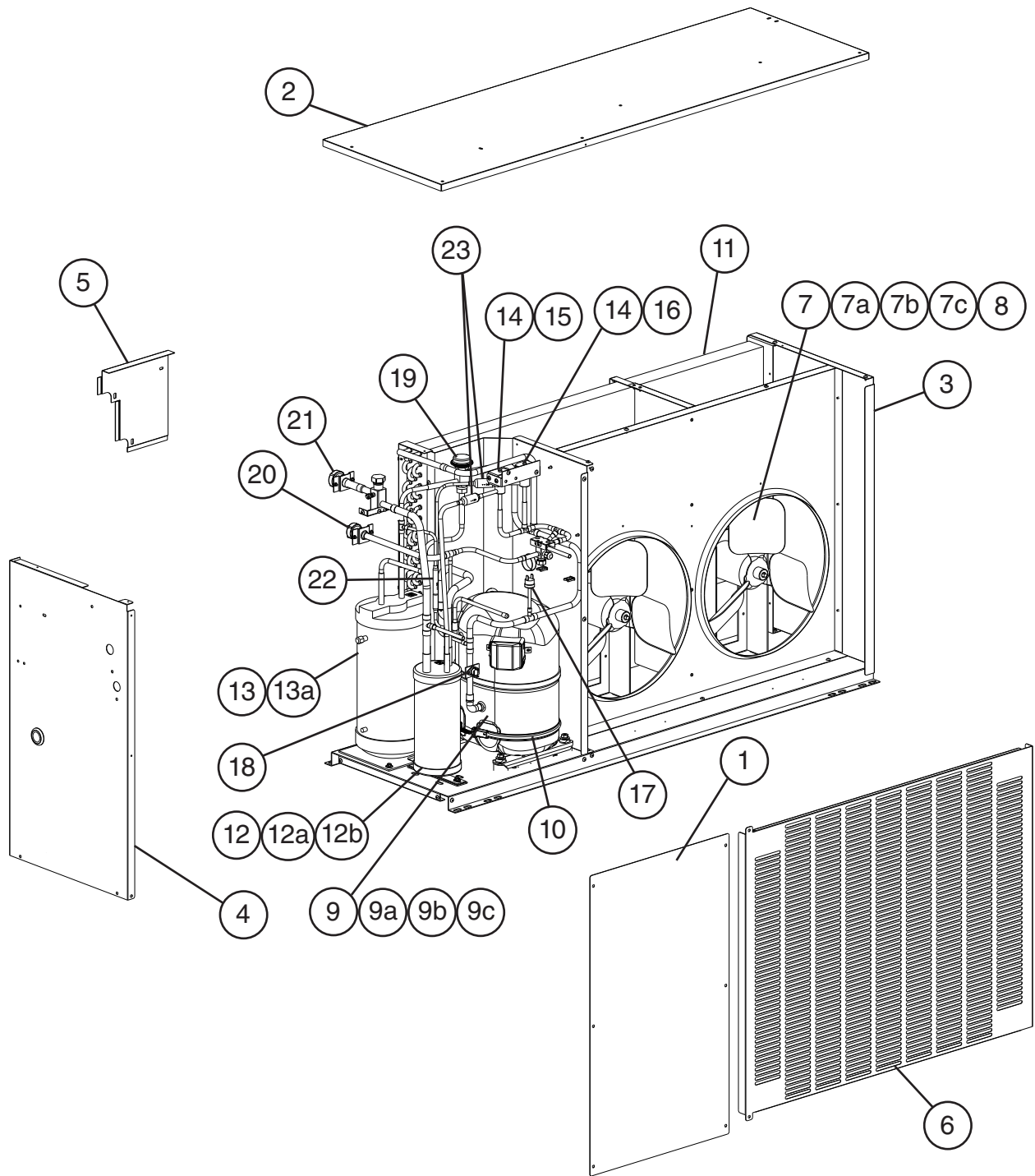
Auxiliary Code Breakdown

The auxiliary code is the first two characters in the serial number. The first character indicates the year. Years progress or regress in alphabetical order. The series runs from "A" through "V" and the letters "I" and "O" are skipped. The second character indicates significant part changes within a year. Base is "0" and this number advances for each change. In cases where there is a letter in parentheses, this designates the month. This is the last character in the serial number. The series runs from "(A)" through "(M)" and the letter "(I)" is skipped. This designation is only included when identifying a parts change within an auxiliary code.

Note About Ordering Parts

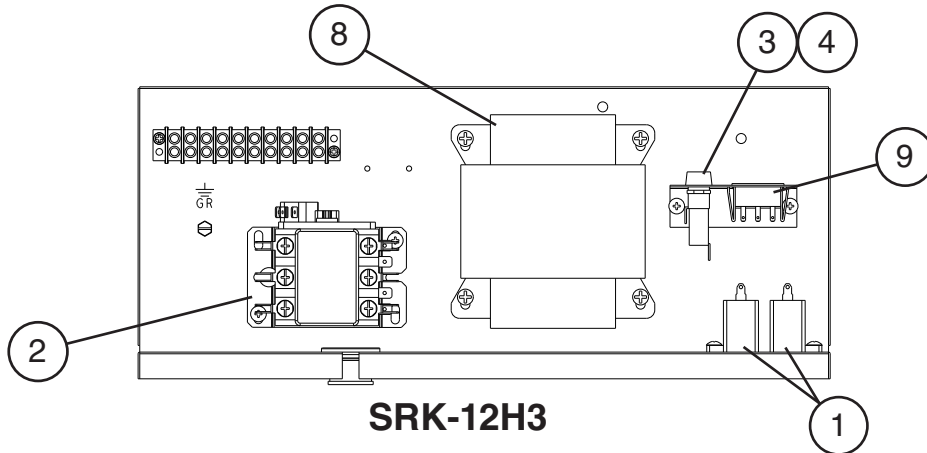
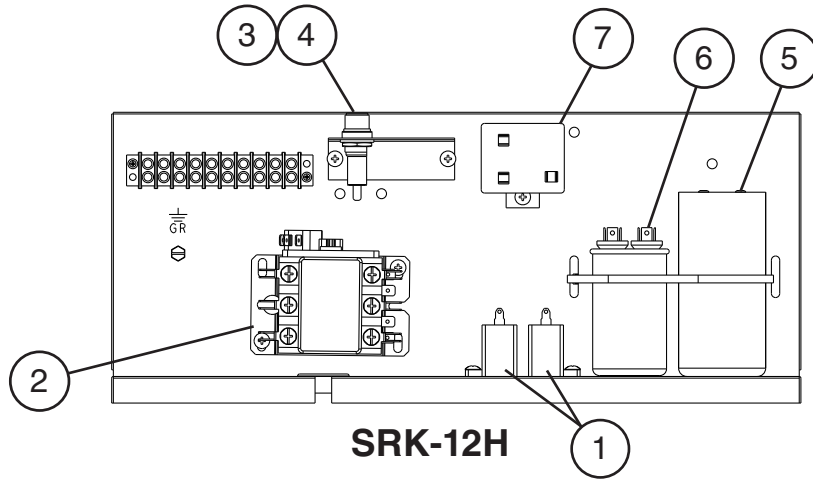
Most assemblies cannot be ordered as complete units; parts in the assemblies generally must be ordered separately.

A. Condensing Unit & Refrigeration Circuit
SRK-12H, SRK-12H3
C-0



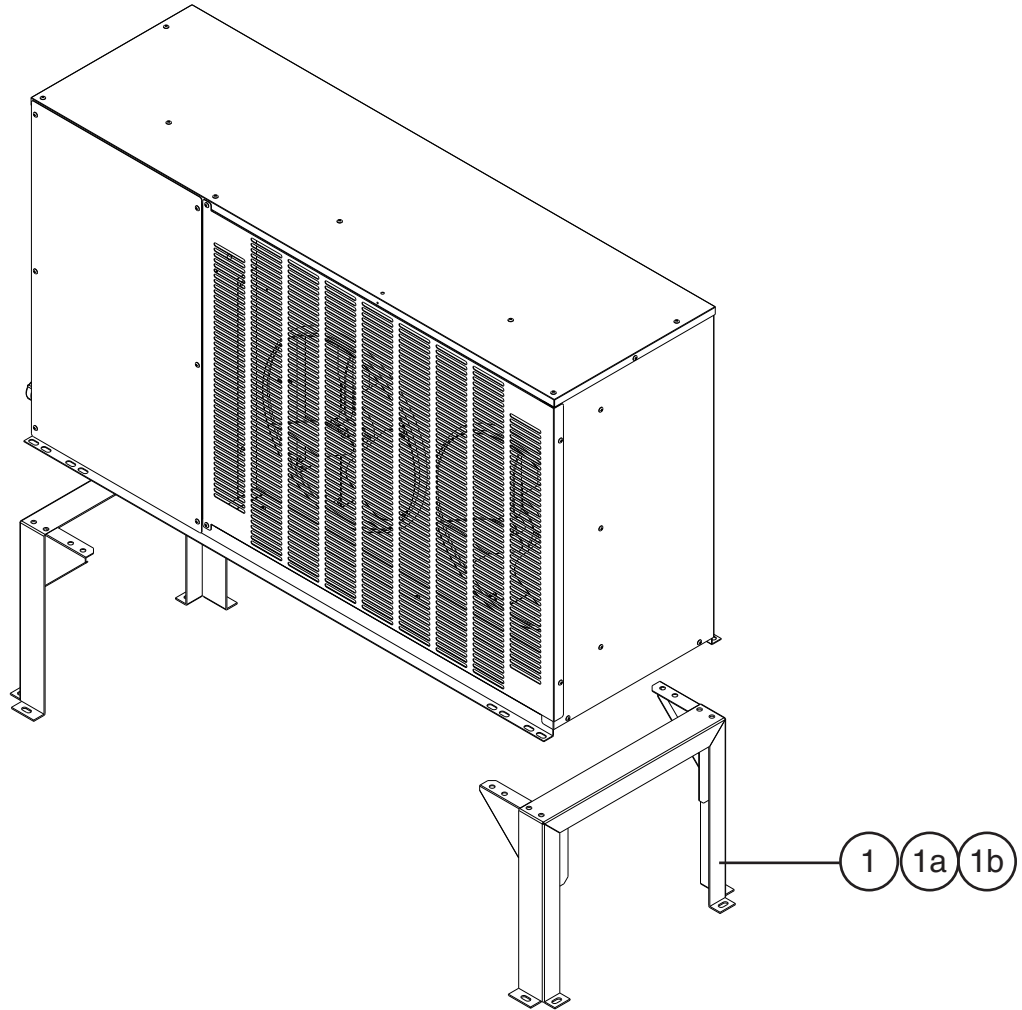
Title: A. Condensing Unit & Refrigeration Circuit Model: SRK-12H, SRK-12H3												
Index No.	Description	Material or Model Number	Part Number	Required Number								
				C-0								
Condensing Unit												
1	Front Panel		3A3293-01	1								
2	Top Panel		2A3242-01	1								
3	Right Side Panel		3A3291-01	1								
4	Left Side Panel		2A4981-01	1								
5	Access Panel		4A4739-01	1								
6	Louver Panel		2A3241-01	1								
7	Fan Motor		4A3201-01	2								
7a	Split Lock Washer	8-32, SS	7L2210832	8								
7b	Flat Washer	8-32, SS	7W2210832	8								
7c	Hex Nut	8-33, SS	7N0210832	8								
8	Fan Blade		4A3614-01	2								
Refrigeration Circuit												
9	Compressor	SRK-12H	4A4134-03	1								
		SRK-12H3	4A4135-03	1								
9a	Spacer		434921-01	4								
9b	Grommet		434922-01	4								
9c	Bolt Assembly	8x45	437889-01	4								
10	Crankcase Heater		4A5397-02	1								
11	Condenser		1A0980-01	1								
12	Accumulator		3A6803-01	1								
12a	Accumulator Spacer		4A3599-01	1								
12b	Hex Head Bolt w/Washer	5x12, SS	7B0230512	2								
13	Receiver		438209-01	1								
13a	Hex Head Bolt w/Washer	5x12, SS	7B0230512	2								
14	Valve Coil		4A3277-01	2								
15	Liquid Line Valve Body		4A3276-01	1								
16	Hot Gas Valve Body		4A3978-01	1								
17	High-Pressure Switch		463180-01	1								
18	Dishcharge Line Thermostat		440664-01	1								
19	Headmaster (C.P.R.)		4A0229-02	1								
20	Liquid Line Coupling		434072-01	1								
21	Suction Line Coupling		4A3826-01	1								
22	Check Valve		4A1373-01	1								
23	Strainer		441569-02	2								

B. Control Box Assembly
SRK-12H, SRK-12H3
 C-0



Title: B. Control Box Assembly Model: SRK-12H, SRK-12H3												
Index No.	Description	Material or Model Number	Part Number	Required Number								
				C-0								
1	Fan Motor Capacitor	10MFD, 250VAC	443192-01	2								
2	Magnetic Contactor		4A0794-01	1								
3	Fuse Holder		4A5443-01	1								
4	Fuse	10A, 250VAC	4A0893-07	1								
5	Start Capacitor	SRK-12H 145-174MFD, 220VAC	3A0076-11	1								
6	Run Capacitor	SRK-12H 30MFD, 370VAC	3A2005-03	1								
7	Start Relay	SRK-12H	4A1107-13	1								
8	Main Transformer	SRK-12H3	4A0817-01	1								
9	Voltage Tap Switch	SRK-12H3	4A1477-01	1								

C. Accessories
SRK-12H, SRK-12H3
 C-0



Title: C. Accessories Model: SRK-12H, SRK-12H3										
Index No.	Description	Material or Model Number	Part Number	Required Number						
				C-0						
1	Leg		3A3716G01	2						
1a	Hex Head Bolt w/Washer	8x16, SS	7B0230816	16						
1b	Hex Nut	M8, SS	7N12-0800	16						

Free Manuals Download Website

<http://myh66.com>

<http://usermanuals.us>

<http://www.somanuals.com>

<http://www.4manuals.cc>

<http://www.manual-lib.com>

<http://www.404manual.com>

<http://www.luxmanual.com>

<http://aubethermostatmanual.com>

Golf course search by state

<http://golfingnear.com>

Email search by domain

<http://emailbydomain.com>

Auto manuals search

<http://auto.somanuals.com>

TV manuals search

<http://tv.somanuals.com>