

Hoshizaki America, Inc.

Commercial Refrigerators & Freezers TempGuard® Series

Models
FH1-SSB(-HD)



“A Superior Degree
of Reliability”

www.hoshizaki.com

PARTS LIST



Number: 71224
Issued: 3-8-1999
Revised: 4-29-2008

CONTENTS

| | |
|--|----|
| Auxiliary Codes..... | 3 |
| Note About Ordering Parts | 3 |
| Material Abbreviations..... | 4 |
| A. Reach-In..... | 5 |
| FH1-SSB | 5 |
| FH1-SSB-HD..... | 8 |
| B. Refrigeration System..... | 11 |
| C. Control Panel Assembly..... | 16 |
| D. Body-Final..... | 17 |
| FH1-SSB | 17 |
| FH1-SSB-HD..... | 20 |
| E. Panel-Front Hinged Assembly | 23 |
| F. Label Location..... | 24 |
| G. Evaporator Fan Shroud Assembly..... | 25 |
| H. Evaporator Assembly..... | 27 |
| J. Condenser Assembly..... | 29 |
| K. Control Box Assembly..... | 32 |
| KK. Common Control Box | 34 |
| L. Body-Prefinal | 36 |
| M. Door-Right | 39 |
| FH1-SSB | 39 |
| N. Door-Half (UR)..... | 41 |
| FH1-SSB-HD..... | 41 |
| P. Door-Half (LR)..... | 43 |
| FH1-SSB-HD..... | 43 |
| Q. Mullion-Horizontal | 45 |
| FH1-SSB-HD..... | 45 |
| R. Distributor-Air Top Assembly | 46 |
| S. Accessories & Packaging..... | 47 |

Auxiliary Codes

| | | | | | |
|----------------|---------------|----------------|-------------------|-----|----------------|
| FH1-SSB | H-0 | May 1998 | FH1-SSB-HD | H-0 | September 1998 |
| | J-0 | March 1999 | | J-0 | January 1999 |
| | J-1 | September 1999 | | J-1 | September 1999 |
| | J-2 | October 1999 | | J-2 | October 1999 |
| | K-0 | December 1999 | | K-0 | December 1999 |
| | K-1 | June 2000 | | K-1 | June 2000 |
| | L-5 | April 2001 | | L-5 | September 2001 |
| | M-5 | February 2002 | | M-6 | April 2002 |
| | M-6 | March 2002 | | M-7 | September 2002 |
| | M-7 | August 2002 | | N-6 | March 2003 |
| | N-5 | December 2002 | | P-6 | March 2004 |
| | N-6 | January 2003 | | Q-5 | January 2005 |
| | P-5 | December 2003 | | R-5 | December 2005 |
| | P-6 | March 2004 | | S-5 | January 2007 |
| | P-7 | November 2004 | | S-6 | March 2007 |
| | Q-5 | December 2004 | | | |
| R-5 | December 2005 | | | | |
| S-6 | February 2007 | | | | |

Auxiliary Code Breakdown

- K-5**
- Designates the year. "K" indicates the year 2000. Years progress or regress in alphabetical order. "J" is 1999, "L" is 2001, "M" is 2002, and so on. The letters "I" and "O" were skipped.
 - Designates significant part changes within the same year for this model. Base is 5 (0 for auxiliary codes H through K) and this number advances for each change.

Example: **P-6**

- "P" indicates 2004.
- "6" indicates the first significant part change for 2004.

Note About Ordering Parts

Most assemblies cannot be ordered as complete units; parts in the assemblies generally must be ordered separately.

Material Abbreviations

ALUMINUM

AL = Aluminum

COPPER

CU = Copper

PLASTIC

ABS = Acrylonitrile -butadiene - styrene
AC = Polyacetal
EVA = Ethylene vinyl acetate
PA = Polyamide = Nylon
PC = Polycarbonate
PE = Polyethylene
PES = Polyester
PETP = Polyethylene terephthalate = Tetlon
PP = Polypropylene
PS = Polystyrene
PTFE = Polytetrafluoroethylene = Teflon
PUR = Polyurethane
PVC = Polyvinyl chloride

RUBBER

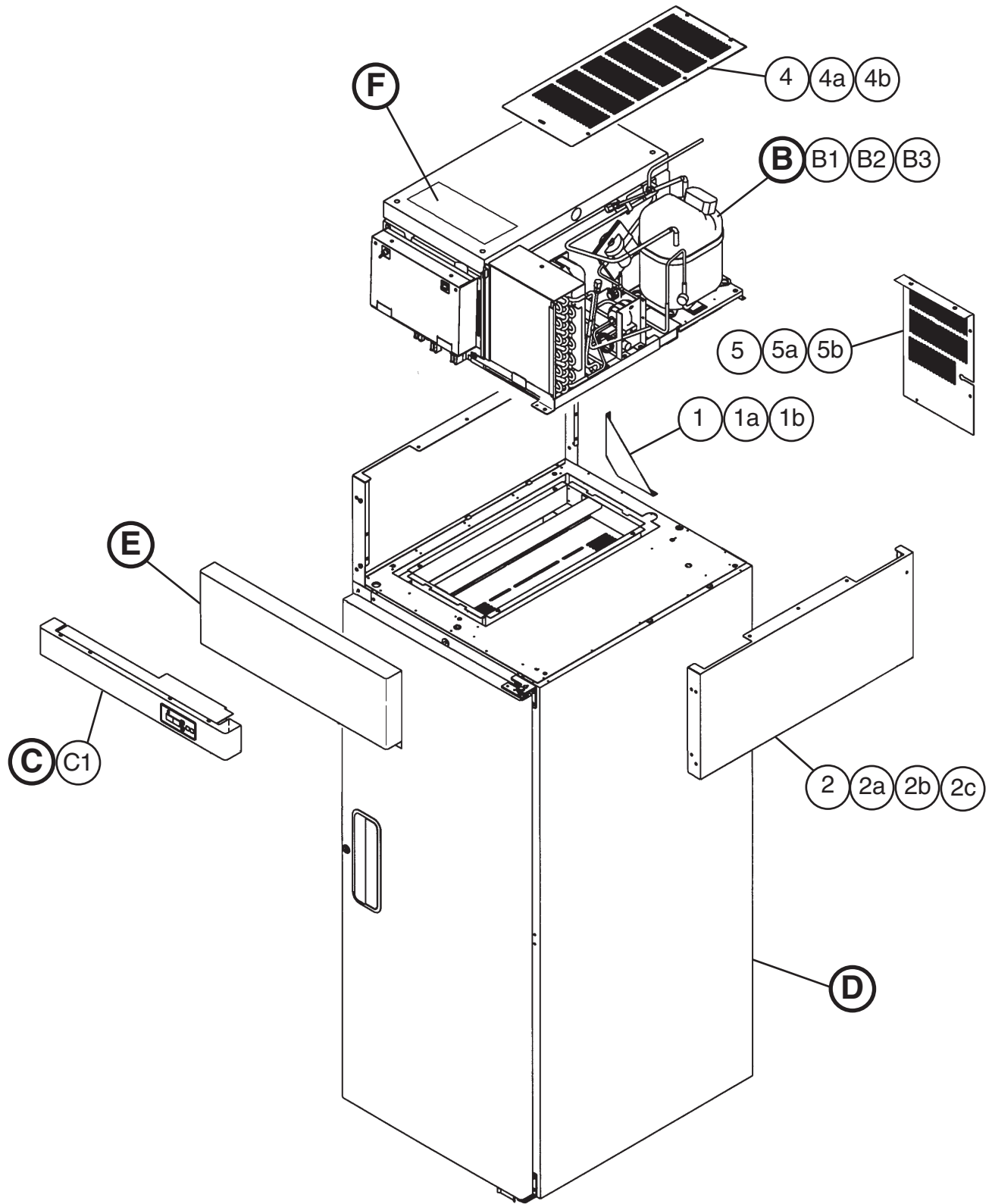
VN = Vinyl Nitrile
EPDM = EP rubber
NBR = Nitrile butadiene rubber
NR = Natural rubber
NP = Neoprene
SI.R = Silicone rubber
SY.R = Synthetic rubber
EPH = Epichlorohydrin

STEEL

GS = Galvanized steel
SS = Stainless steel
PS = Plated steel
PAS = Primed steel

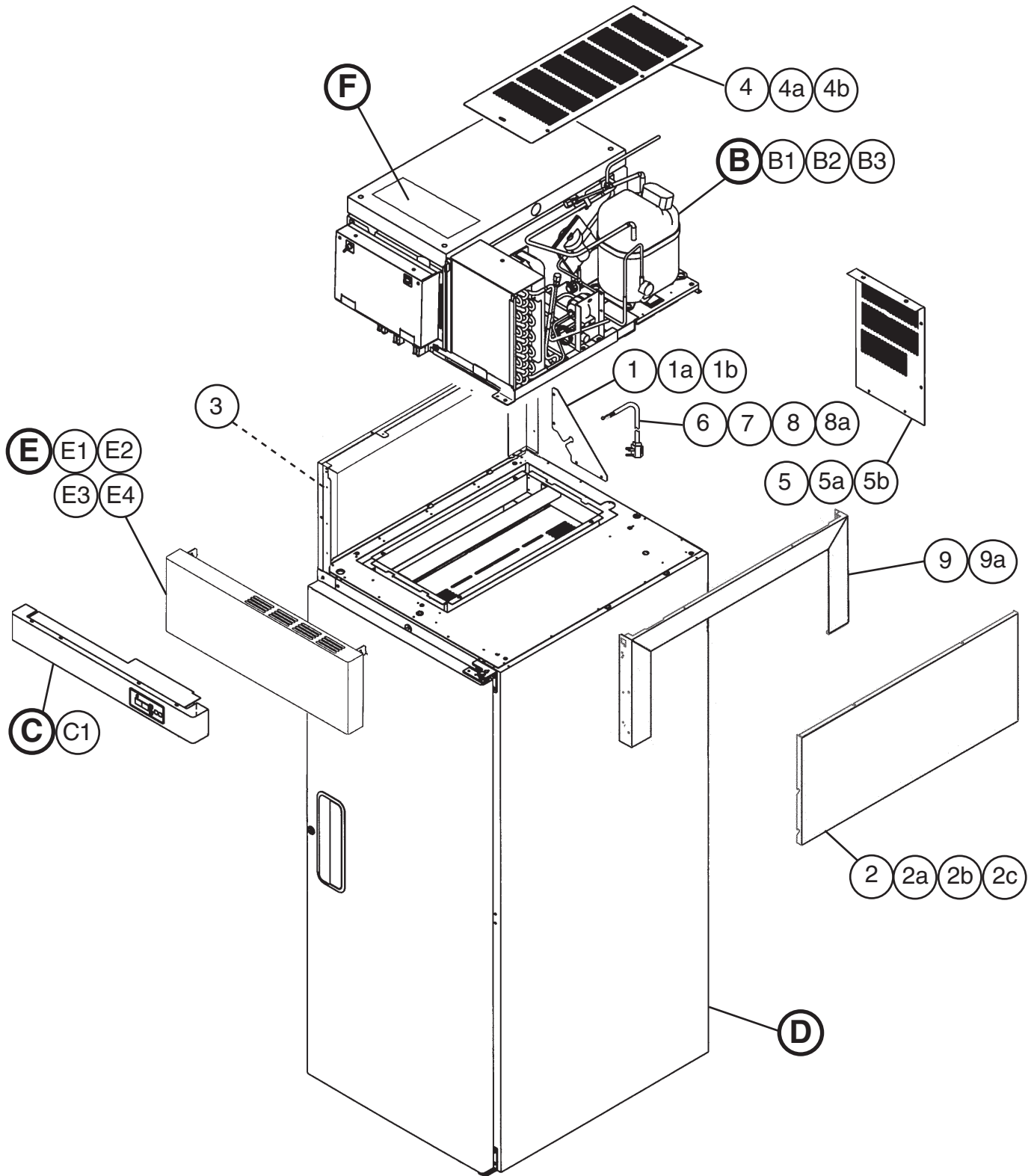
**A. Reach-In
FH1-SSB**

H-0, J-0, J-1, J-2, K-0, K-1



A. Reach-In FH1-SSB

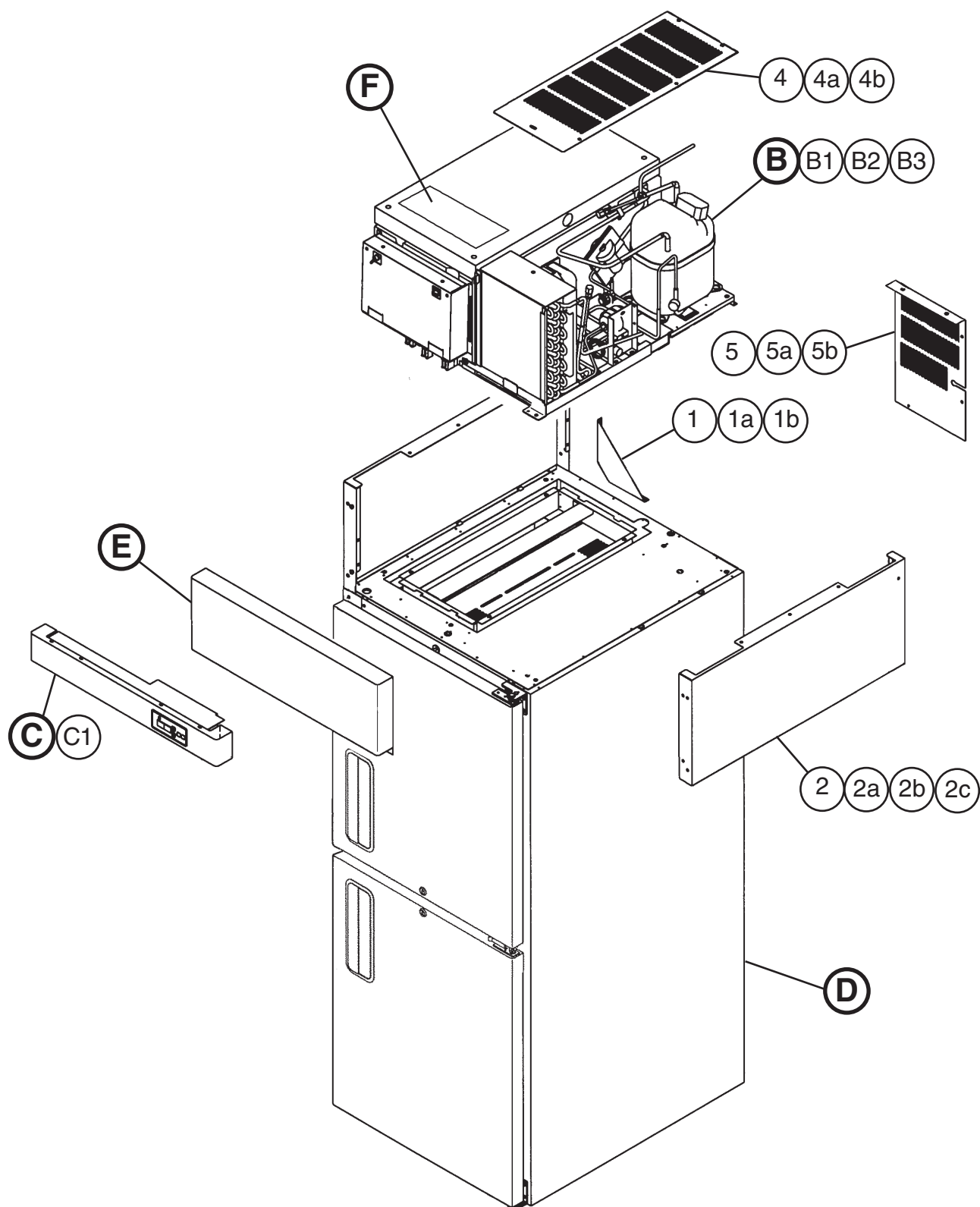
L-5, M-5, M-6, M-7, N-5, N-6, P-5, P-6, P-7, Q-5, R-5, S-6



| Title: A. Reach-In Model: FH1-SSB | | | | | | | | | | | | |
|---|-----------------------------|--------------------------|-------------|-----------------|------------|------------|---------|-----|---|--|--|--|
| Index No. | Description | Material or Model Number | Part Number | Required Number | | | | | | | | |
| | | | | H-0 to K-1 | L-5 to M-6 | M-7 to P-7 | Q-5 R-5 | S-6 | | | | |
| B | Refrigeration System | - | 1A0278A01 | 1 | 1 | 1 | 1 | 1 | | | | |
| B1 | Bolt Assembly | 8x45 | 437889-01 | 5 | 5 | 5 | 5 | 5 | | | | |
| B2 | Truss Head Screw | 5x25, SS | 7C32-0525 | 2 | 2 | 2 | 2 | 2 | | | | |
| B3 | Washer | 5 | 7W22-0500 | 2 | 2 | 2 | 2 | 2 | | | | |
| C | Control Panel Assembly | - | 2A1269A01 | 1 | 1 | 1 | 1 | 1 | | | | |
| C1 | T2 Screw | 4x8, SS | 7P32-0408 | 6 | 6 | 6 | 6 | 6 | | | | |
| D | Body-Final | - | 1A0299A06 | 1 | 1 | 1 | 1 | 1 | | | | |
| E | Panel-Front | SS | 1A0119-01 | 1 | - | | | | | | | |
| | Panel-Front Hinged Assembly | - | 2A2011A01 | | 1 | 1 | 1 | 1 | | | | |
| E1 | Clevis Pin | - | 8907-0102 | | 2 | 2 | 2 | 2 | | | | |
| E2 | Cotter Pin | - | 8907-0103 | | 2 | 2 | 2 | 2 | | | | |
| E3 | Flat Washer | - | 4A0655-03 | | 2 | 2 | 2 | 2 | | | | |
| E4 | Spacer-Hinge | - | 4A2473-01 | | 2 | 2 | 2 | 2 | | | | |
| F | Label Location | - | 2A1042A01 | 1 | 1 | 1 | 1 | 1 | | | | |
| 1 | Gusset-Side Top | GS | 3A1006-01 | 1 | - | | | | | | | |
| | Gusset-Frame | | 4A2845-01 | | 1 | 1 | - | | | | | |
| | | | 4A3856-01 | | | | 1 | 1 | | | | |
| 1a | T2 Screw | 4x8, SS | 7P32-0408 | 2 | 4 | 4 | 4 | 4 | | | | |
| 1b | Truss Head Screw | 5x10, SS | 7C32-0510 | 2 | - | | | | | | | |
| 2 | Panel-Side, Top | SS | 2A0615-02 | 2 | - | | | | | | | |
| | | | 2A1800-01 | | 2 | 2 | 2 | 2 | | | | |
| 2a | Taper Collar | SS | 4H0171-01 | 4 | 4 | 4 | 4 | 4 | | | | |
| 2b | Screw-Countersunk | 5x20, SS | 7C42-0520 | 4 | 4 | 4 | 4 | 4 | | | | |
| 2c | Truss Head Screw | 5x10, SS | 7C32-0510 | 2 | 2 | 2 | 2 | 2 | | | | |
| 3 | Bracket-Hinge | - | 4A2306-01 | | 2 | 2 | 2 | 2 | | | | |
| 4 | Cover-UL, Top | GS | 2A0955-01 | 1 | 1 | - | | | | | | |
| | | | 2A2751-01 | | | 1 | 1 | - | | | | |
| | | | 2A2755-01 | | | | | | 1 | | | |
| 4a | Truss Head Screw | 5x10, SS | 7C32-0510 | 3 | - | | | | | | | |
| 4b | T2 Screw | 4x8, SS | 7P32-0408 | 2 | 5 | 5 | 5 | 5 | | | | |
| 5 | Cover-UL, Rear | GS | 2A0956-01 | 1 | 1 | - | | | | | | |
| | | | 2A2752-01 | | | 1 | 1 | - | | | | |
| | | | 2A4261-01 | | | | | | 1 | | | |
| 5a | Truss Head Screw | 5x10, SS | 7C32-0510 | 2 | - | | | | | | | |
| 5b | T2 Screw | 4x8, SS | 7P32-0408 | 2 | 4 | 4 | 4 | 4 | | | | |
| 6 | Power Cord | - | 4A0520-01 | | 1 | 1 | 1 | 1 | | | | |
| 7 | Bushing | SB-625-8 | 420470-01 | | 1 | 1 | 1 | 1 | | | | |
| 8 | Wire Clamp | - | 4A0809-02 | | 1 | 1 | 1 | 1 | | | | |
| 8a | T2 Screw | 5x8, SS | 7C32-0508 | | 1 | - | | | | | | |
| 9 | Frame-Side Top | GS | 2A1803-01 | | 2 | 2 | 2 | 2 | | | | |
| 9a | Truss Head Screw | 5x10, SS | 7C32-0510 | | 8 | 8 | 8 | 8 | | | | |

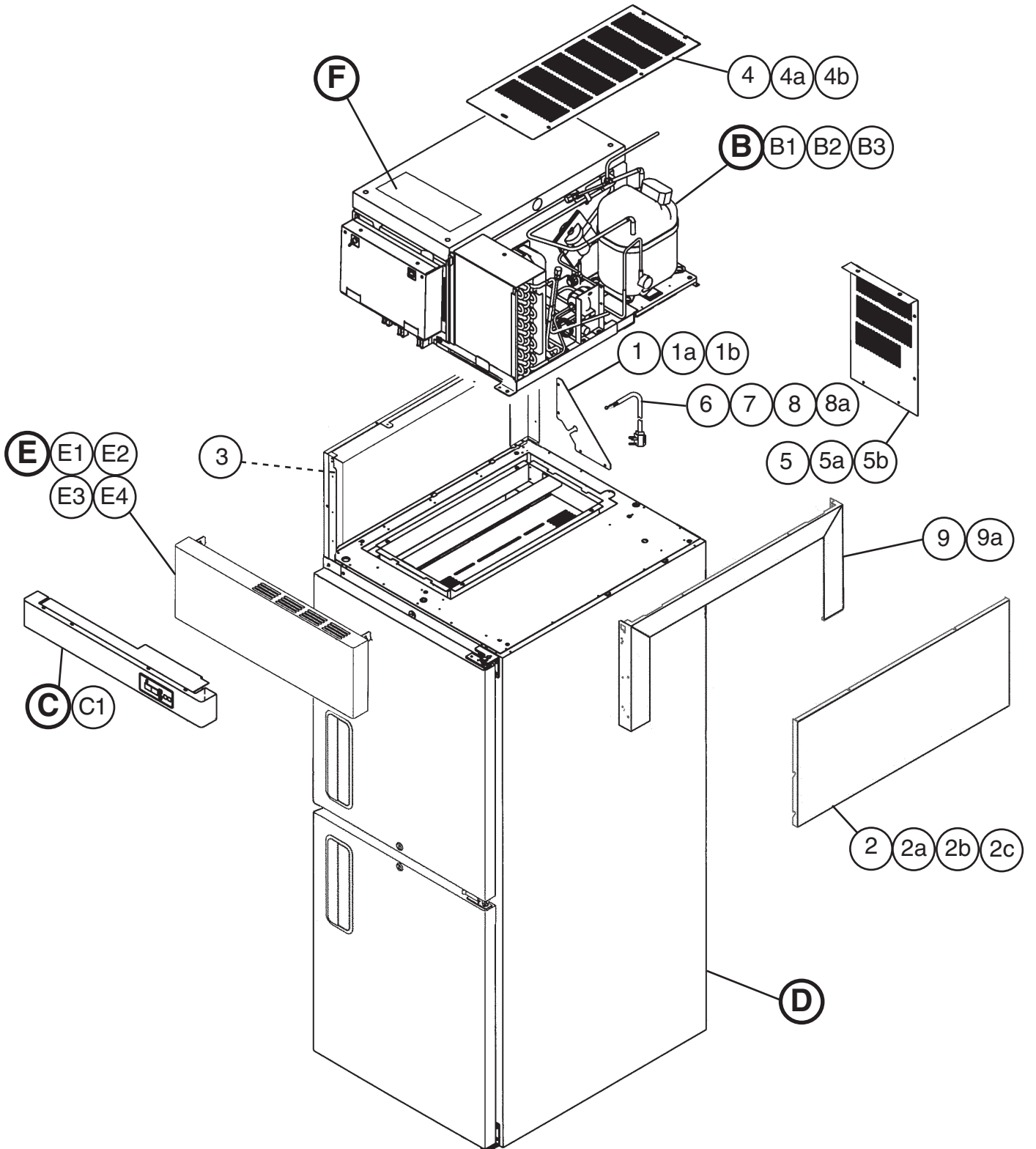
A. Reach-In FH1-SSB-HD

H-0, J-0, J-1, J-2, K-0, K-1, L-5



A. REACH-IN FH1-SSB-HD

M-6, M-7, N-6, P-6, Q-5, R-5, S-5, S-6



Title: **A. Reach-In** Model: **FH1-SSB-HD**

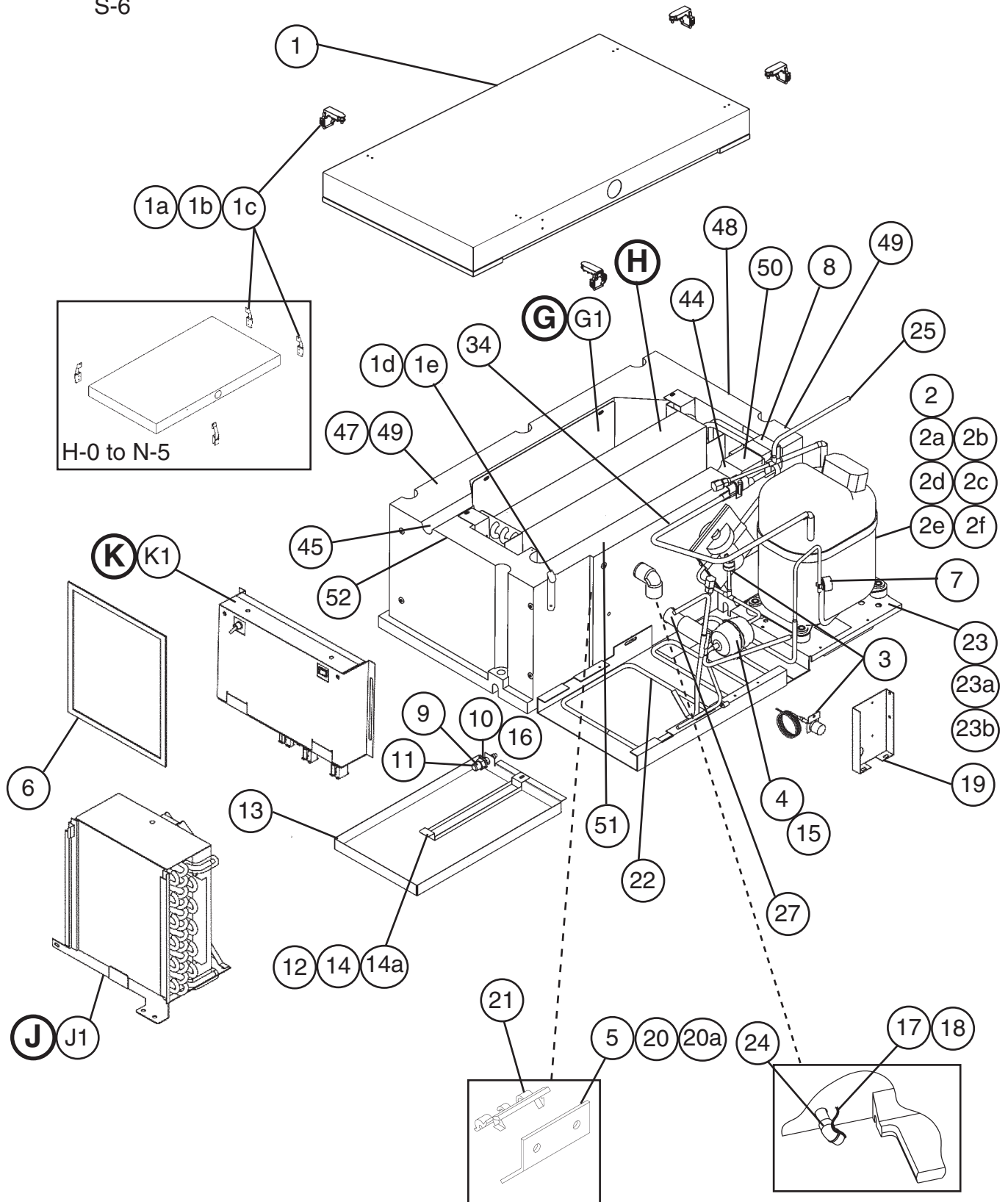
| Index No. | Description | Material or Model Number | Part Number | Required Number | | | | | | | | | |
|-----------|-----------------------------|--------------------------|-------------|-----------------|---------|------------|------------|-----|---|--|--|--|--|
| | | | | H-0 to K-1 | L-5 M-6 | M-7 to P-6 | Q-5 to S-5 | S-6 | | | | | |
| B | Refrigeration System | - | 1A0278A01 | 1 | 1 | 1 | 1 | 1 | | | | | |
| B1 | Bolt Assembly | 8x45 | 437889-01 | 5 | 5 | 5 | 5 | 5 | | | | | |
| B2 | Truss Head Screw | 5x25, SS | 7C32-0525 | 2 | 2 | 2 | 2 | 2 | | | | | |
| B3 | Washer | 5 | 7W22-0500 | 2 | 2 | 2 | 2 | 2 | | | | | |
| C | Control Panel Assembly | - | 2A1269A01 | 1 | 1 | 1 | 1 | 1 | | | | | |
| C1 | T2 Screw | 4x8, SS | 7P32-0408 | 6 | 6 | 6 | 6 | 6 | | | | | |
| D | Body-Final | - | 1A0360A04 | 1 | 1 | 1 | 1 | 1 | | | | | |
| E | Panel-Front | SS | 1A0119-01 | 1 | - | | | | | | | | |
| | Panel-Front Hinged Assembly | | 2A2011A01 | | 1 | 1 | 1 | 1 | | | | | |
| E1 | Clevis Pin | - | 8907-0102 | | | 2 | 2 | 2 | | | | | |
| E2 | Cotter Pin | - | 8907-0103 | | | 2 | 2 | 2 | | | | | |
| E3 | Flat Washer | - | 4A0655-03 | | | 2 | 2 | 2 | | | | | |
| E4 | Spacer-Hinge | - | 4A2473-01 | | 2 | 2 | 2 | 2 | | | | | |
| F | Label Location | - | 2A1042A04 | 1 | 1 | 1 | 1 | 1 | | | | | |
| 1 | Gusset-Side Top | GS | 3A1006-01 | 1 | - | | | | | | | | |
| | Gusset-Frame | | 4A2845-01 | | 1 | 1 | - | | | | | | |
| | | | 4A3856-01 | | | | 1 | 1 | | | | | |
| 1a | T2 Screw | 4x8, SS | 7P32-0408 | 2 | 2 | 2 | 4 | 4 | | | | | |
| 1b | Truss Head Screw | 5x10, SS | 7C32-0510 | 2 | 2 | 2 | - | | | | | | |
| 2 | Panel-Side, Top | SS | 2A0615-02 | 2 | - | | | | | | | | |
| | | | 2A1800-01 | | 2 | 2 | 2 | 2 | | | | | |
| 2a | Truss Head Screw | 5x10, SS | 7C32-0510 | | 2 | 2 | 2 | 2 | | | | | |
| 2b | Taper Collar | SS | 4H0171-01 | 4 | 2 | 2 | 2 | 2 | | | | | |
| 2c | Screw-Countersunk | 5x20, SS | 7C42-0520 | 4 | 2 | 2 | 2 | 2 | | | | | |
| 3 | Bracket-Hinge | - | 4A2306-01 | | 2 | 2 | 2 | 2 | | | | | |
| 4 | Cover-UL, top | GS | 2A0955-01 | 1 | 1 | - | | | | | | | |
| | | | 2A2751-01 | | | 1 | 1 | - | | | | | |
| | | | 2A2755-01 | | | | | | 1 | | | | |
| 4a | Truss Head Screw | 5x10, SS | 7C32-0510 | 3 | 3 | - | | | | | | | |
| 4b | T2 Screw | 4x8, SS | 7P32-0408 | 2 | 2 | 5 | 5 | 5 | | | | | |
| 5 | Cover-UL, Rear | GS | 2A0956-01 | 1 | 1 | - | | | | | | | |
| | | | 2A2752-01 | | | 1 | 1 | - | | | | | |
| | | | 2A4261-01 | | | | | | 1 | | | | |
| 5a | Truss Head Screw | 5x10, SS | 7C32-0510 | 2 | 2 | - | | | | | | | |
| 5b | T2 Screw | 4x8, SS | 7P32-0408 | 2 | 2 | 4 | 4 | 4 | | | | | |
| 6 | Power Cord | - | 4A0520-01 | | 1 | 1 | 1 | 1 | | | | | |
| 7 | Bushing | SB-625-8 | 420470-01 | | 1 | 1 | 1 | 1 | | | | | |
| 8 | Wire Clamp | - | 4A0809-02 | | 1 | 1 | 1 | 1 | | | | | |
| 8a | T2 Screw | 4x8, SS | 7P32-0408 | | 1 | 1 | 1 | 1 | | | | | |
| 9 | Frame-Side Top | GS | 2A1803-01 | | 2 | 2 | 2 | 2 | | | | | |
| 9a | Truss Head Screw | 5x10, SS | 7C32-0510 | | 8 | 8 | 8 | 8 | | | | | |

B. Refrigeration System

1/2

FH1-SSB(-HD)

H-0, J-0, J-1, J-2, K-0, K-1, L-5, M-5, M-6, M-7, N-5, N-6, P-5, P-6, P-7, Q-5, R-5, S-5, S-6

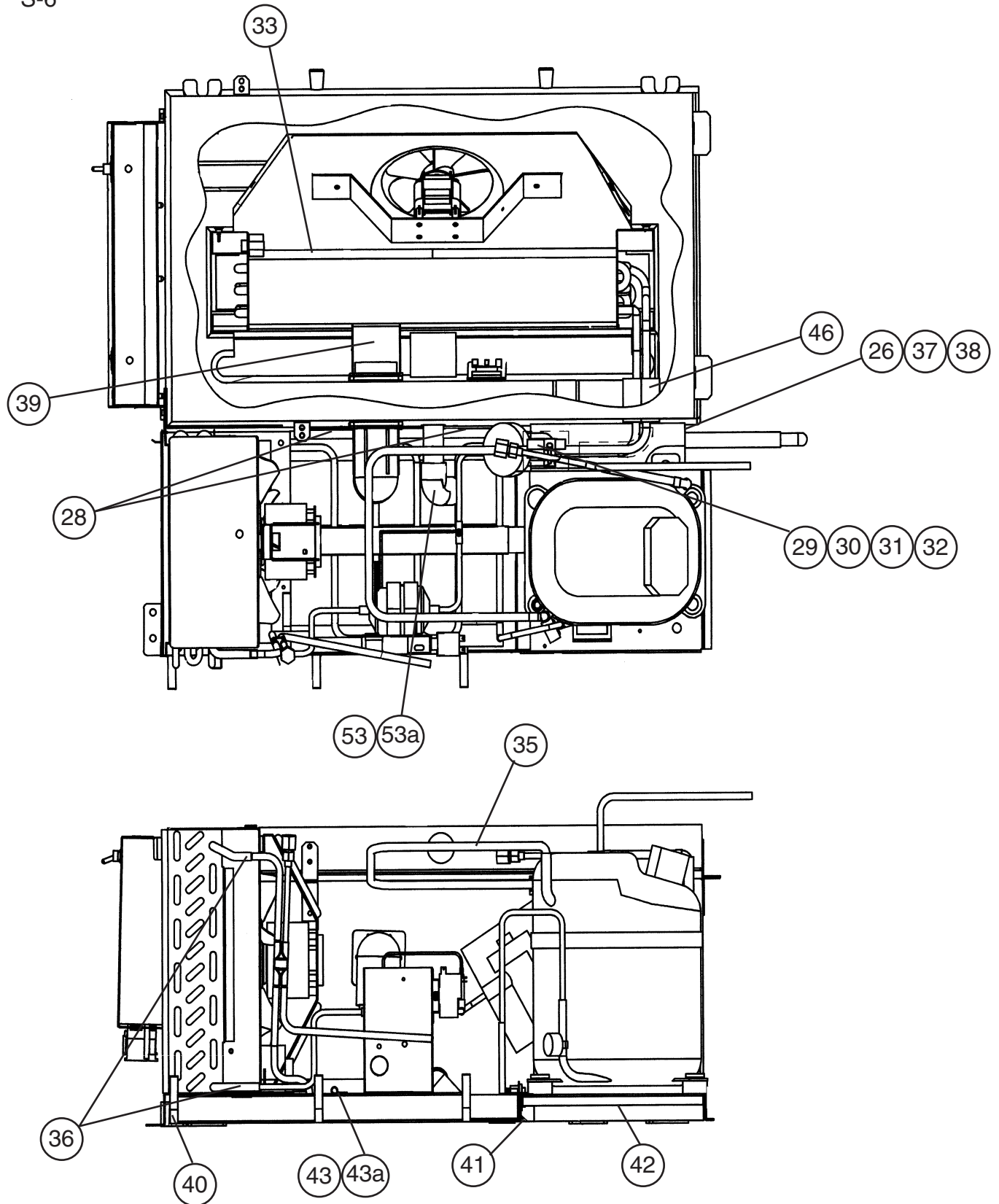


B. Refrigeration System

2/2

FH1-SSB(-HD)

H-0, J-0, J-1, J-2, K-0, K-1, L-5, M-5, M-6, M-7, N-5, N-6, P-5, P-6, P-7, Q-5, R-5, S-5, S-6



Title: **B. Refrigeration System** Model: **FH1-SSB(-HD)**

| Index No. | Description | Material or Model Number | Part Number | Required Number | | | | | | | | | | | | | | | |
|-----------|--|--------------------------|-------------|-----------------|------------|------------|---------|------------|-----|---|---|---|--|--|--|--|--|--|--|
| | | | | H-0 | J-0 to M-5 | M-6 to N-5 | N-6 P-5 | P-6 to S-5 | S-6 | | | | | | | | | | |
| G | Evaporator Fan Shroud Assembly | - | HS-3545 | 1 | 1 | - | | | | | | | | | | | | | |
| | | | 2A2517A01 | | | 1 | 1 | - | | | | | | | | | | | |
| | | | 2A2517A02 | | | | | | 1 | 1 | | | | | | | | | |
| G1 | Truss Head Screw | 4x12, SS | 7C32-0412 | 4 | 4 | 4 | 4 | 4 | 4 | 4 | | | | | | | | | |
| H | Evaporator Assembly | - | 2A0981A01 | 1 | 1 | 1 | 1 | 1 | 1 | - | | | | | | | | | |
| | | | 2A0981A06 | | | | | | | | | 1 | | | | | | | |
| J | Condenser Assembly | - | 3A0724A01 | 1 | 1 | 1 | - | | | | | | | | | | | | |
| | | | 3A2610A01 | | | | 1 | 1 | - | | | | | | | | | | |
| | | | 3A2611A01 | | | | | | | | | 1 | | | | | | | |
| J1 | T2 Screw | 4x8, SS | 7P32-0408 | 2 | 2 | 2 | 2 | 2 | 2 | 2 | | | | | | | | | |
| K | Control Box Assembly | - | 2A1226A01 | 1 | 1 | 1 | 1 | 1 | 1 | - | | | | | | | | | |
| | | | 2A1226A03 | | | | | | | | | 1 | | | | | | | |
| K1 | Truss Head Screw | 4x16, SS | 7C32-0416 | 4 | 4 | 4 | 4 | 4 | 4 | 4 | | | | | | | | | |
| 1 | Cover-Evaporator Case | - | 2A0428G01 | 1 | 1 | 1 | - | | | | | | | | | | | | |
| | | | 2A2726G01 | | | | 1 | 1 | 1 | | | | | | | | | | |
| 1a | Draw Latch | 97-50-224-11 | 4A1710-01 | | 4 | 4 | - | | | | | | | | | | | | |
| | | - | 4A3988-01 | | | | 4 | 4 | 4 | | | | | | | | | | |
| 1b | Truss Head Screw | 4x16, SS | 7C32-0416 | | 4 | 4 | 4 | 4 | 4 | 4 | | | | | | | | | |
| 1c | T2 Screw | 4x8, SS | 7P32-0408 | | 8 | 8 | 8 | 8 | 8 | 8 | | | | | | | | | |
| 1d | Catch-Latch | - | 4A3987-01 | | | | 4 | 4 | 4 | | | | | | | | | | |
| 1e | Truss Head Screw | 4x16, SS | 7C32-0416 | | | | 4 | 4 | 4 | | | | | | | | | | |
| 2 | Compressor | AJA2425ZXA | 2A0937-01 | 1 | 1 | 1 | 1 | 1 | 1 | - | | | | | | | | | |
| | | SC15CLX.2 | 4A3815-01 | | | | | | | | 1 | | | | | | | | |
| 2a | Grommet-Compressor Mount | EPDM | 4A1305-01 | 4 | 4 | 4 | 4 | 4 | 4 | - | | | | | | | | | |
| | | | 4A2593-01 | | | | | | | | | 4 | | | | | | | |
| 2b | Sleeve-Grommet | Tecumseh70459 | 4A0449-01 | 4 | 4 | 4 | 4 | 4 | 4 | - | | | | | | | | | |
| | Spacer-Compressor | - | 4A2595-01 | | | | | | | 4 | | | | | | | | | |
| 2c | Hex Bolt | 8x45 | 7B01-0845 | 4 | 4 | 4 | 4 | 4 | 4 | 4 | | | | | | | | | |
| 2d | Washer-Flat | 8 | 7W21-0800 | 4 | 4 | 4 | 4 | 4 | 4 | 4 | | | | | | | | | |
| 2e | Split Lock Washer | 8 | 7L21-0800 | 4 | 4 | 4 | 4 | 4 | 4 | 4 | | | | | | | | | |
| 2f | Protector | CRA4765-132 | 4A1860-02 | 1 | 1 | 1 | 1 | 1 | 1 | - | | | | | | | | | |
| | | 117U3212 | 4A3679-01 | | | | | | | | 1 | | | | | | | | |
| 3 | Switch-Pressure (Included in 2A1257G01) | - | 3A0335-02 | 1 | 1 | - | | | | | | | | | | | | | |
| | | | 4A2516-02 | | | 1 | 1 | 1 | 1 | | | | | | | | | | |
| 4 | Drier | Sporlan CW-052-S | 4A0924-01 | 1 | 1 | 1 | 1 | 1 | 1 | 1 | | | | | | | | | |
| 5 | Thermistor-Cabinet | Taiko 4A1429 | 4A1429-01 | 1 | 1 | 1 | 1 | 1 | 1 | 1 | | | | | | | | | |
| 6 | Filter-Condenser | - | 3A0277-01 | 1 | 1 | 1 | 1 | 1 | 1 | 1 | | | | | | | | | |
| 7 | Thermostat-Clean Filter | 37TJ32 | 4A0484-01 | 1 | 1 | 1 | 1 | 1 | 1 | 1 | | | | | | | | | |
| 8 | Seal-Evaporator Tubing | Neoprene/EPDM | 4A0642-01 | 2 | 2 | 2 | - | | | | | | | | | | | | |
| | | | 4A3089-01 | | | | 2 | 2 | 2 | | | | | | | | | | |
| 9 | Fitting-Drain Overflow (Included in 3A0381A05) | PP | 4A0664-01 | 1 | 1 | - | | | | | | | | | | | | | |
| | | | 4A2182-01 | | | 1 | 1 | 1 | 1 | | | | | | | | | | |
| 10 | Washer-Drain Overflow (Included in 3A0381A05) | - | 4A0665-01 | 1 | 1 | - | | | | | | | | | | | | | |
| | Rubber Gasket (Included in 3A0381A05) | | 413854-03 | | | 1 | 1 | 1 | 1 | | | | | | | | | | |

Title: **B. Refrigeration System** Model: **FH1-SSB(-HD)**

| Index No. | Description | Material or Model Number | Part Number | Required Number | | | | | | | | | | | | | | | | | |
|-----------|--|--------------------------|-------------|-----------------|------------|------------|---------|------------|-----|---|--|--|--|--|--|--|--|--|--|--|--|
| | | | | H-0 | J-0 to M-5 | M-6 to N-5 | N-6 P-5 | P-6 to S-5 | S-6 | | | | | | | | | | | | |
| 11 | Nut-Drain Fitting (Included in item 9: 4A2182-01) | Heyco 8463 | 4A0666-01 | 1 | 1 | - | | | | | | | | | | | | | | | |
| 12 | Gasket-Condenser Coil (Included in 3A0381A05) | - | 4A0455-03 | 1 | 1 | 1 | 1 | 1 | 1 | | | | | | | | | | | | |
| 13 | Evaporator Drain Pan (Included in 3A0381A05) | SS | 2A0616-02 | 1 | 1 | - | | | | | | | | | | | | | | | |
| | | | 2A2760-01 | | | 1 | 1 | 1 | 1 | | | | | | | | | | | | |
| 14 | Strap-Condensate Coil (Included in 3A0381A05) | - | 3A0232-03 | 1 | 1 | 1 | 1 | 1 | 1 | | | | | | | | | | | | |
| 14a | Truss Head Screw (Included in 3A0381A05) | 5x12, SS | 7C32-0512 | 2 | 2 | 2 | 2 | 2 | 2 | | | | | | | | | | | | |
| 15 | Drier Bracket (Included in 2A1257G01) | GS | 4A0806-01 | 1 | 1 | 1 | 1 | 1 | 1 | - | | | | | | | | | | | |
| | Nylon Tie (Included in 2A1257G01) | - | 8911-0301 | | | | | | | 1 | | | | | | | | | | | |
| 15a | T2 Screw | 4x8, SS | 7P32-0408 | 2 | 2 | 2 | 2 | 2 | 2 | - | | | | | | | | | | | |
| 16 | Rubber Gasket (Included in 3A0381A05) | - | 413854-03 | | | 1 | 1 | 1 | 1 | | | | | | | | | | | | |
| 17 | Heater-Drain | 10758 10W 115V | 4A2975-01 | | | | | 1 | 1 | | | | | | | | | | | | |
| 18 | Nylon Tie | CV-200 | 8911-0200 | | | | | 1 | 1 | | | | | | | | | | | | |
| 19 | Drier Mount (Included in 2A1257G01) | - | 4A1480-01 | 1 | 1 | 1 | 1 | 1 | 1 | - | | | | | | | | | | | |
| | Drier Bracket (Included in 2A1257G01) | GS | 4A4282-01 | | | | | | | 1 | | | | | | | | | | | |
| 20 | Thermistor Bracket (A) | ABS | 433964-01 | 1 | 1 | 1 | 1 | 1 | 1 | 1 | | | | | | | | | | | |
| 20a | Truss Head Screw | 4x16, SS | 7C32-0416 | 2 | 2 | 2 | 2 | 2 | 2 | | | | | | | | | | | | |
| 21 | Thermistor Bracket (B) | ABS | 433920-01 | 1 | 1 | 1 | 1 | 1 | 1 | 1 | | | | | | | | | | | |
| 22 | Coil-Condensate Coated (Included in 2A1256G01) | - | 4A1362G01 | 1 | 1 | - | | | | | | | | | | | | | | | |
| | Coil-Condensate (Included in 2A1256G02) | - | 3A1644-01 | | | 1 | 1 | 1 | 1 | | | | | | | | | | | | |
| 23 | Compressor Base | - | 2A2756G01 | 1 | 1 | 1 | 1 | 1 | 1 | 1 | | | | | | | | | | | |
| 23a | Truss Head Screw | 4x16, SS | 7C32-0416 | 2 | 2 | 2 | 2 | 2 | 2 | | | | | | | | | | | | |
| 23b | Truss Head Screw | 5x10, SS | 7C32-0510 | 1 | 1 | 1 | 1 | 1 | 1 | | | | | | | | | | | | |
| 24 | Pressure-Check Valve | HS-3515 | 3A1454A01 | 1 | 1 | 1 | 1 | 1 | 1 | | | | | | | | | | | | |
| 25 | Process Assembly Pipe | Access Valve | 3A0932G01 | 1 | 1 | 1 | 1 | - | | | | | | | | | | | | | |
| | | | 3A2349G01 | | | | | 1 | - | | | | | | | | | | | | |
| | | | 3A4455G01 | | | | | | | 1 | | | | | | | | | | | |
| 26 | Vinyl Hose | L=300 | 773013812 | 1 | 1 | 1 | 1 | 1 | 1 | | | | | | | | | | | | |
| 27 | Drain-Pipe Evaporator | - | 4A0831-01 | 1 | 1 | 1 | 1 | 1 | 1 | | | | | | | | | | | | |
| 28 | Wire Tie Twist | - | 4A1223-01 | 1 | 1 | 1 | 1 | 1 | 1 | | | | | | | | | | | | |
| 29 | Insulation Tubing | L=150 | 7762-3555 | 1 | 1 | 1 | 1 | 1 | 1 | | | | | | | | | | | | |
| 30 | Cable Tie | CV-200 | 8911-0200 | 5 | 5 | 5 | 5 | 5 | 5 | | | | | | | | | | | | |
| 31 | Holder Expansion Valve | - | 3A0107-01 | 1 | 1 | 1 | 1 | 1 | 1 | | | | | | | | | | | | |
| 32 | Hose Clamp | - | 443461-01 | 1 | 1 | 1 | 1 | 1 | 1 | | | | | | | | | | | | |
| 33 | Liner-Evaporator | - | 2A1182-01 | 1 | 1 | - | | | | | | | | | | | | | | | |
| | Plated Heat-Shield | - | 3A1851G01 | | | 1 | - | | | | | | | | | | | | | | |
| | | - | 3A2614G01 | | | | 1 | 1 | 1 | | | | | | | | | | | | |
| 34 | Insulation Tubing | L=700 | 7762-1330 | 1 | 1 | 1 | 1 | 1 | - | | | | | | | | | | | | |
| | | L=1200 | | | | | | | 1 | | | | | | | | | | | | |

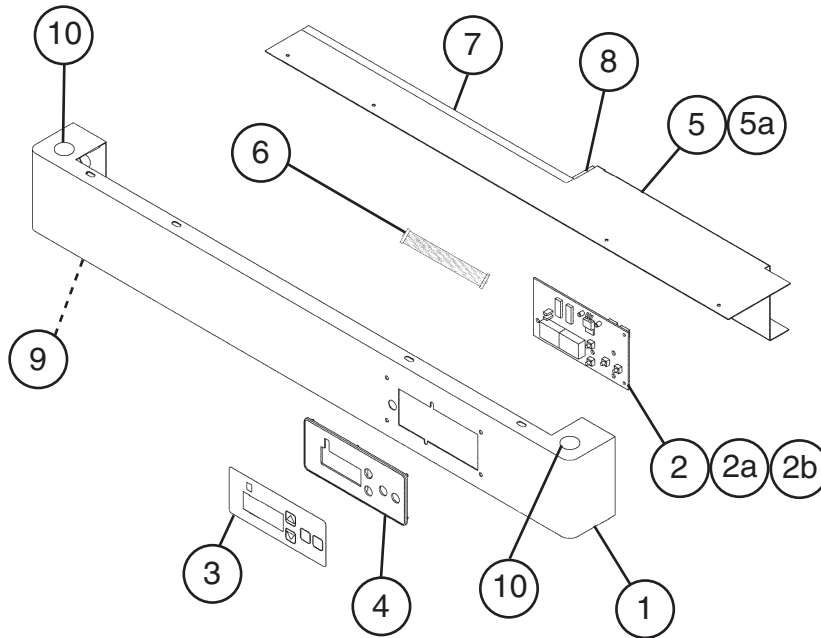
Title: **B. Refrigeration System** Model: **FH1-SSB(-HD)**

| Index No. | Description | Material or Model Number | Part Number | Required Number | | | | | | | | | |
|-----------|----------------------|--------------------------|-------------|-----------------|------------|------------|---------|------------|-----|--|--|--|--|
| | | | | H-0 | J-0 to M-5 | M-6 to N-5 | N-6 P-5 | P-6 to S-5 | S-6 | | | | |
| 35 | Suction Tube | - | 3A0850-01 | 1 | 1 | 1 | 1 | 1 | - | | | | |
| | | | 3A4312-01 | | | | | 1 | | | | | |
| 36 | Insulation Tubing | L=50 | 7762-1020 | 2 | 3 | 3 | 3 | 3 | 3 | | | | |
| 37 | Bushing | SB-750-625 | 420470-13 | 1 | 1 | 1 | 1 | 1 | 1 | | | | |
| 38 | Elbow-Tubing | - | 4A0711-01 | 1 | 1 | 1 | 1 | 1 | 1 | | | | |
| 39 | Drain Baffle | - | 3A1126-01 | 1 | - | | | | | | | | |
| | | | 3A1126-02 | | 1 | 1 | 1 | 1 | 1 | | | | |
| 40 | Grommet Strip | L=33 | 4A1341L01 | 1 | 1 | 1 | 1 | 1 | 1 | | | | |
| 41 | Grommet Strip | L=29 | | 1 | 1 | 1 | 1 | 1 | 1 | | | | |
| 42 | Grommet Strip | L=236 | | 1 | 1 | 1 | 1 | 1 | 1 | | | | |
| 43 | Wire Clamp | - | 4A0809-01 | | 1 | 1 | 1 | 1 | 1 | | | | |
| 43a | T2 Screw | 4x8, SS | 7P32-0408 | | 1 | 1 | 1 | 1 | 1 | | | | |
| 44 | Insulation Tubing | L=85 | 7762-1030 | | 1 | 1 | 1 | 1 | 1 | | | | |
| 45 | Insulation Tubing | L=145 | 7762-1323 | | 1 | 1 | 1 | 1 | 1 | | | | |
| 46 | Cork Insulation Tape | L=40 | 8216-BK20 | | 2 | 2 | 2 | 2 | 2 | | | | |
| 47 | Gasket | L=685 | 4A0808L01 | | 1 | 1 | 1 | 1 | 1 | | | | |
| 48 | Gasket | L=316 | | | 1 | 1 | 1 | 1 | 1 | | | | |
| 49 | Gasket | L=46 | | | 2 | 2 | 2 | 2 | 2 | | | | |
| 50 | Gasket | L=58 | | | 1 | 1 | 1 | 1 | 1 | | | | |
| 51 | Gasket | L=500 | | | 1 | 1 | 1 | 1 | 1 | | | | |
| 52 | Gasket | L=236 | | | 1 | 1 | 1 | 1 | 1 | | | | |
| 53 | Elbow-Drilled | - | 4A2510-01 | 1 | 1 | - | | | | | | | |
| | | | 4A2829G01 | | | 1 | 1 | 1 | 1 | | | | |
| 53a | T2 Screw | 4x8, SS | 7P32-0408 | | 1 | 1 | 1 | 1 | 1 | | | | |

C. Control Panel Assembly

FH1-SSB(-HD)

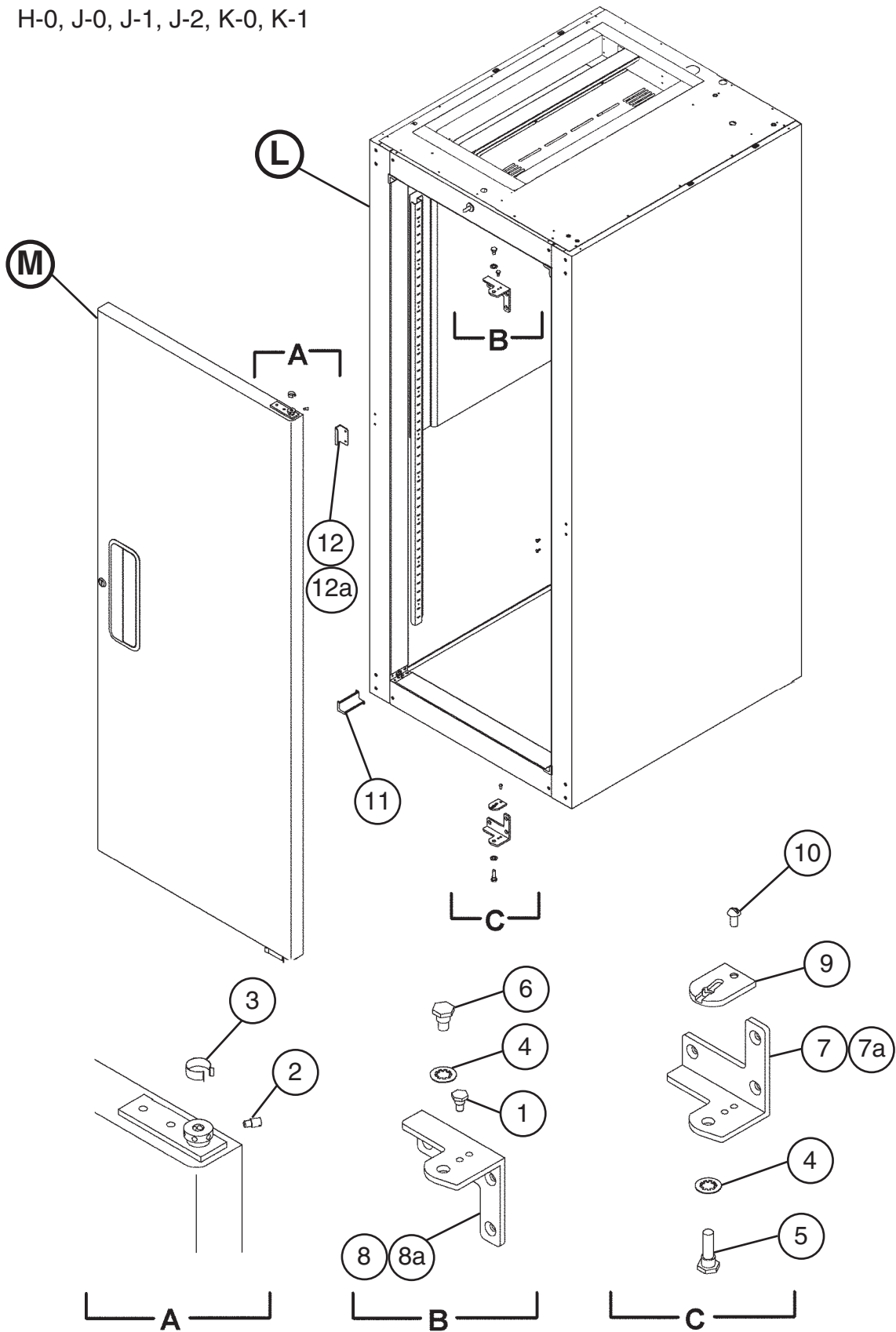
H-0, J-0, J-1, J-2, K-0, K-1, L-5, M-5, M-6, M-7, N-5, N-6, P-5, P-6, P-7, Q-5, R-5, S-5, S-6



| Title: C. Control Panel Assembly Model: FH1-SSB(-HD) | | | | | | | | | | |
|--|-------------------------|--------------------------|-------------|-----------------|------------|------------|--|--|--|--|
| Index No. | Description | Material or Model Number | Part Number | Required Number | | | | | | |
| | | | | H-0 to K-1 | L-5 to N-5 | N-6 to S-6 | | | | |
| 1 | Panel-Control (Painted) | - | 3A0914G01 | 1 | - | | | | | |
| | | - | 1A0625G01 | | 1 | - | | | | |
| | Panel-Control | - | 1A0760-01 | | | 1 | | | | |
| 2 | Board-Display | - | 2A0883-01 | 1 | 1 | 1 | | | | |
| 2a | Nylon Screw | - | 4A1397-01 | 4 | 4 | 4 | | | | |
| 2b | Palnut | - | 4A1398-01 | 6 | 6 | 6 | | | | |
| 3 | Label-Display | PC | 4A1558-02 | 1 | 1 | - | | | | |
| | | | 3A2850-02 | | | 1 | | | | |
| 4 | Mount-Display Board | PC | 3A0823-01 | 1 | 1 | 1 | | | | |
| 5 | Cover-Wires | GS | 2A1033-01 | 1 | 1 | 1 | | | | |
| 5a | T2 Screw | 4x8, SS | 7P31-0408 | 2 | 2 | 2 | | | | |
| 6 | Ribbon Cable | - | 4A1106-01 | 1 | 1 | 1 | | | | |
| 7 | Grommet Strip | L=342 | 4A1341L01 | 1 | 1 | 1 | | | | |
| 8 | Grommet Strip | L=30 | 4A1341L01 | 1 | 1 | 1 | | | | |
| 9 | Locking Hole Plug | - | 4A0586-02 | 1 | 1 | 1 | | | | |
| 10 | Locking Hole Plug | - | 4A0586-03 | 2 | 2 | 2 | | | | |

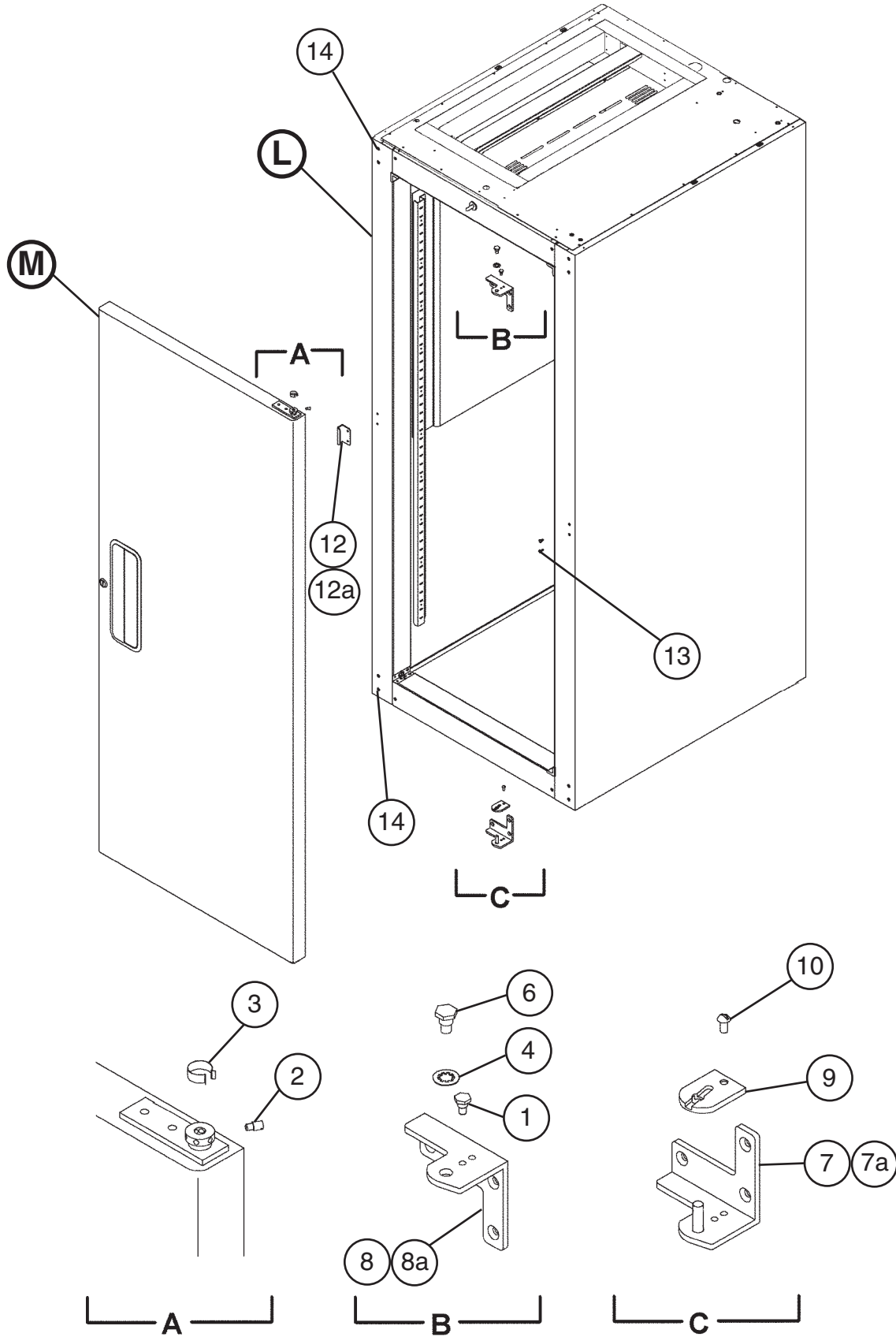
D. Body-Final FH1-SSB

H-0, J-0, J-1, J-2, K-0, K-1



D. Body-Final FH1-SSB

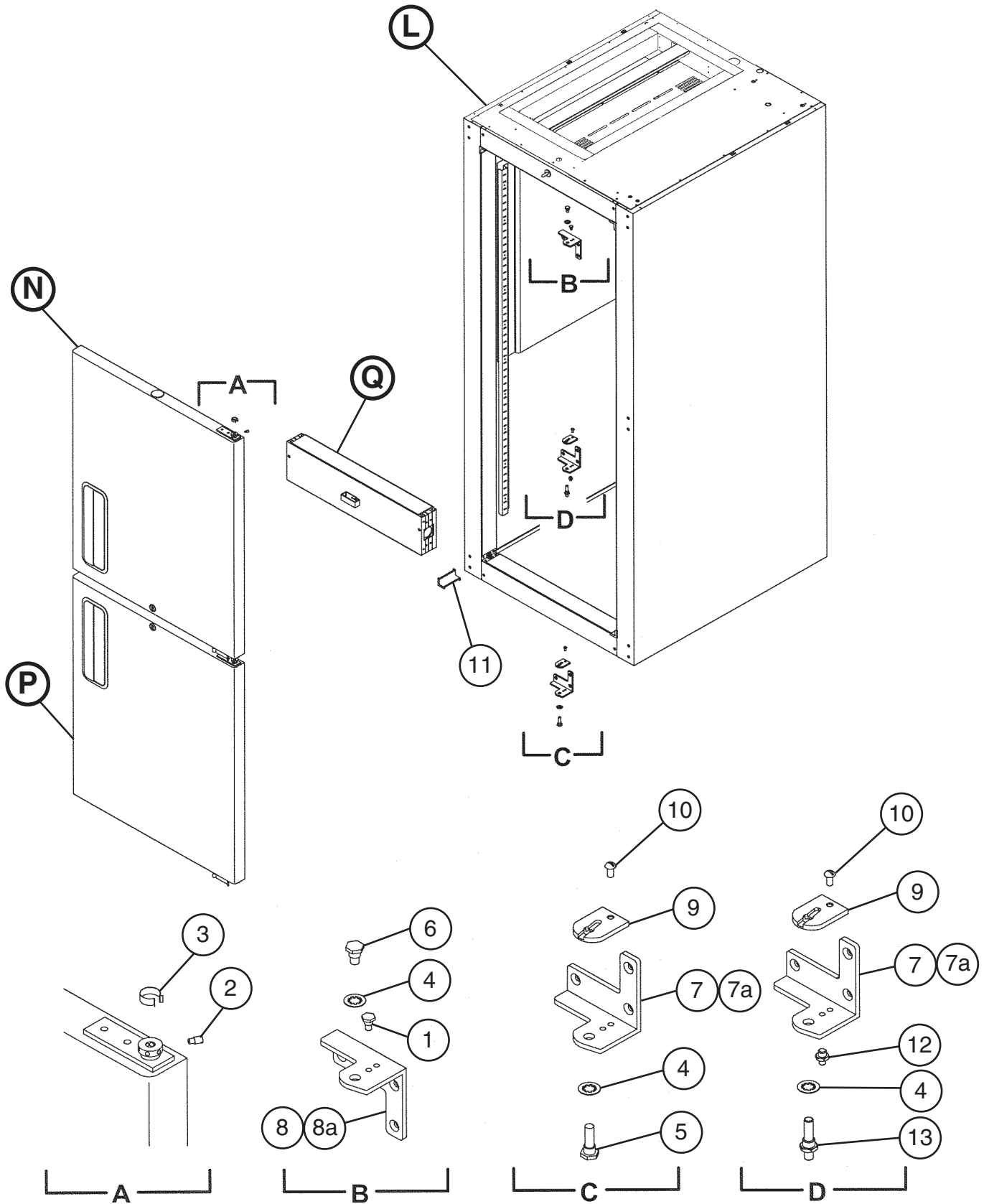
L-5, M-5, M-6, M-7, N-5, N-6, P-5, P-6, P-7, Q-5, R-5, S-6



| Title: D. Body-Final Model: FH1-SSB | | | | | | | | | | | | |
|---|---|-------------------------------|-------------|-----------------|-----|-----|------------|--|--|--|--|--|
| Index No. | Description | Material or Model Number | Part Number | Required Number | | | | | | | | |
| | | | | H-0 to K-1 | L-5 | M-5 | M-6 to S-6 | | | | | |
| L | Body-Prefinal | - | 1A0298A01 | 1 | 1 | 1 | - | | | | | |
| | | | 1A0298A05 | | | 1 | | | | | | |
| M | Door-Right | - | 1A0318A01 | 1 | 1 | 1 | - | | | | | |
| | | | 1A0318A03 | | | 1 | | | | | | |
| | | | | | | | | | | | | |
| 1 | Hinge Stop Pin | - | 4A0444-01 | 1 | - | | | | | | | |
| | | | 4A2180-01 | | 1 | 1 | 1 | | | | | |
| 2 | Hinge Tension Screw | - | 4A0446-01 | 1 | 1 | 1 | 1 | | | | | |
| 3 | Hinge Bushing Cover | - | 4A0445-01 | 1 | 1 | 1 | 1 | | | | | |
| 4 | Hinge Lock Washer | - | 4A0553-01 | 2 | 1 | 1 | 1 | | | | | |
| 5 | Hinge Pivot Pin (BTM) | - | 4A0443-01 | 1 | - | | | | | | | |
| 6 | Hinge Pivot Pin (Top) | - | 4A0442-01 | 1 | - | | | | | | | |
| | | | 4A2179-01 | | 1 | 1 | 1 | | | | | |
| 7 | Bracket Door Hinge (UL,LR) | Use latest for all aux. codes | 3A0209-01 | 1 | - | | | | | | | |
| | Bracket Door Hinge (LR) | | 3A1626-01 | | 1 | 1 | 1 | | | | | |
| 7a | Countersunk Screw (Included in 1A0172G05) | 5x20, SS | 7C42-0520 | 3 | 3 | 3 | 3 | | | | | |
| 8 | Bracket Door Hinge (LL,UR) | - | 3A0215-01 | 1 | - | | | | | | | |
| | Bracket Door Hinge (UR) | | 3A1580-01 | | 1 | 1 | 1 | | | | | |
| 8a | Countersunk Screw (Included in 1A0172G05) | 5x20, SS | 7C42-0520 | 3 | 3 | 3 | 3 | | | | | |
| 9 | Hinge Stop Plate (Right) | - | 4A0441-01 | 1 | 1 | 1 | 1 | | | | | |
| 10 | Screw-Stop Plate | - | 4A0483-01 | 1 | 1 | 1 | 1 | | | | | |
| 11 | Cover-Corner | - | 3A0221-01 | 4 | - | | | | | | | |
| 12 | Plate-Strike (Side) | - | 4A0470-01 | 1 | 1 | 1 | 1 | | | | | |
| 12a | T2 Screw | 4x8, SS | 7P32-0408 | 2 | 2 | 2 | 2 | | | | | |
| 13 | Filler T2 Screw | 4x8, SS | 7P32-0408 | 2 | 2 | 2 | 2 | | | | | |
| 14 | Filler Truss Head Screw | 5x10, SS | 7C32-0510 | 6 | 6 | 6 | 6 | | | | | |

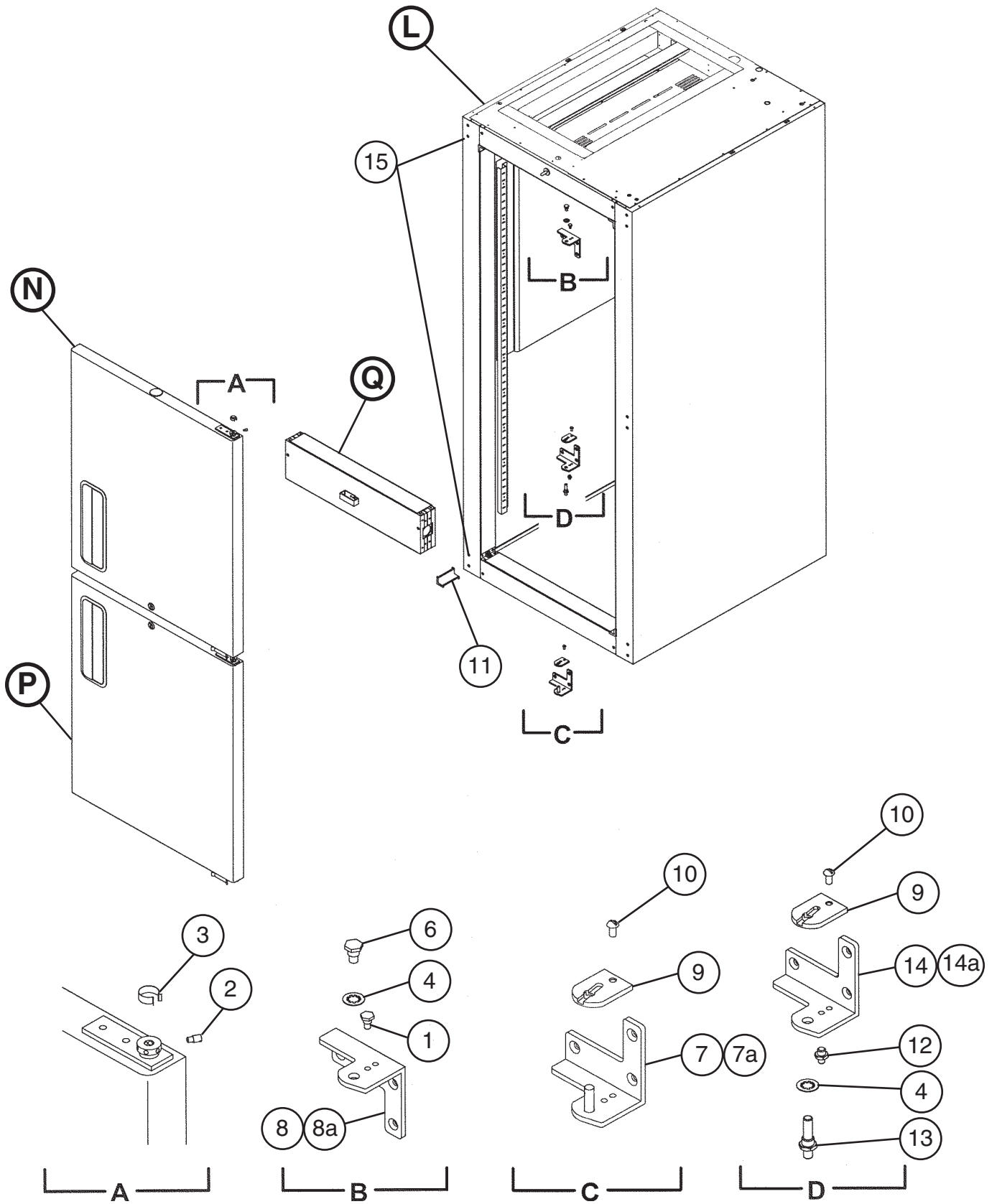
D. Body-Final FH1-SSB-HD

H-0, J-0, J-1, J-2, K-0, K-1



D. Body-Final FH1-SSB-HD

L-5, M-6, M-7, N-6, P-6, Q-5, R-5, S-5, S-6

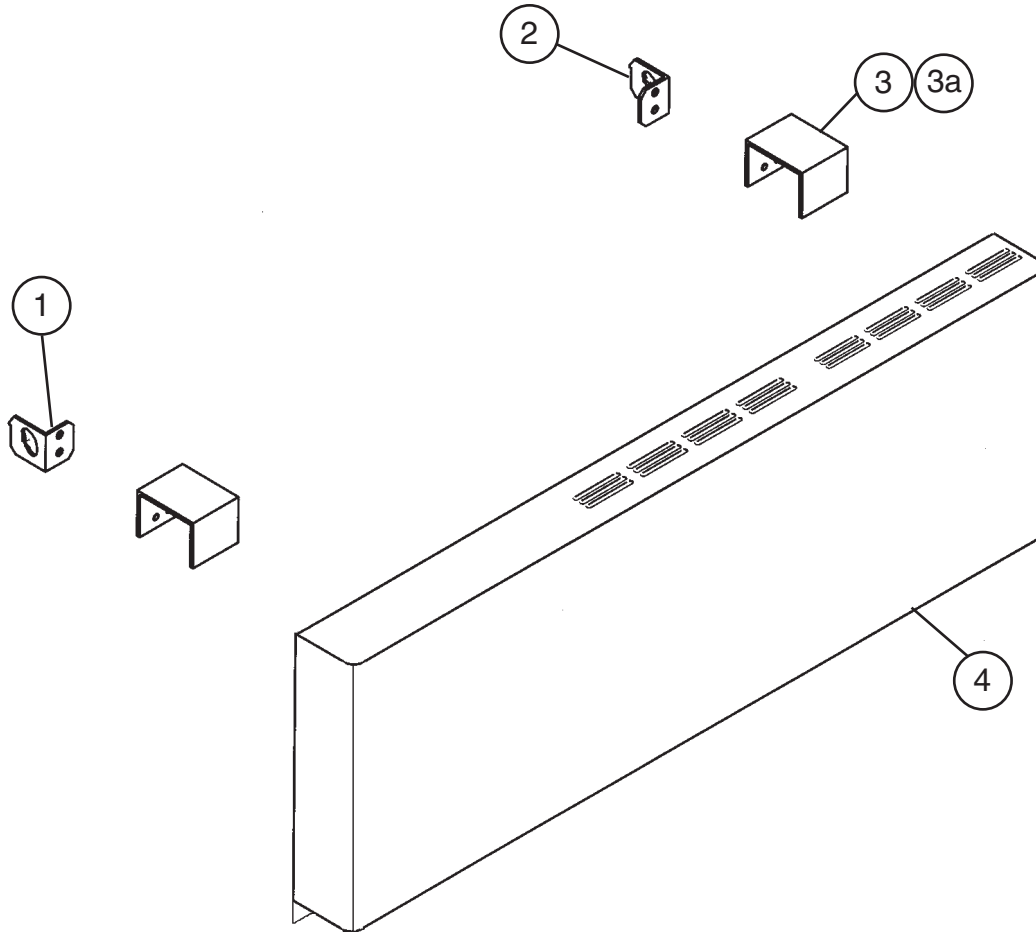


Title: **D. Body-Final** Model: **FH1-SSB-HD**

| Index No. | Description | Material or Model Number | Part Number | Required Number | | | | | | | | | |
|-----------|---|-------------------------------|-------------|-----------------|------------|--|--|--|--|--|--|--|--|
| | | | | H-0 to K-1 | L-5 to S-6 | | | | | | | | |
| L | Body-Prefinal | - | 1A0354A01 | 1 | - | | | | | | | | |
| | | | 1A0354A04 | | 1 | | | | | | | | |
| N | Door-Half (UR) | - | 1A0326A01 | 1 | - | | | | | | | | |
| | | | 1A0326A03 | | 1 | | | | | | | | |
| P | Door-Half (LR) | - | 1A0324A01 | 1 | - | | | | | | | | |
| | | | 1A0324A03 | | 1 | | | | | | | | |
| Q | Mullion-Horizontal | Non-Heated | 2A1323A01 | 1 | - | | | | | | | | |
| | | Heated | 2A1323A04 | | 1 | | | | | | | | |
| | | | | | | | | | | | | | |
| 1 | Hinge Stop Pin | - | 4A0444-01 | 1 | - | | | | | | | | |
| | | | 4A2180-01 | | 1 | | | | | | | | |
| 2 | Hinge Tension Screw | - | 4A0446-01 | 2 | 2 | | | | | | | | |
| 3 | Hinge Bushing Cover | - | 4A0445-01 | 2 | 2 | | | | | | | | |
| 4 | Hinge Lock Washer | - | 4A0553-01 | 3 | 2 | | | | | | | | |
| 5 | Hinge Pivot Pin (BTM) | - | 4A0443-01 | 1 | - | | | | | | | | |
| 6 | Hinge Pivot Pin (Top) | - | 4A0442-01 | 1 | - | | | | | | | | |
| | | | 4A2179-01 | | 1 | | | | | | | | |
| 7 | Bracket Door Hinge (UL,LR) | Use latest for all aux. codes | 3A0209-01 | 2 | - | | | | | | | | |
| | Bracket Door Hinge (LR) | | 3A1626-01 | | 1 | | | | | | | | |
| 7a | Countersunk Screw (Included in 1A0363G04) | 5x20, SS | 7C42-0520 | 6 | 3 | | | | | | | | |
| 8 | Bracket Door Hinge (LL,UR) | - | 3A0215-01 | 1 | - | | | | | | | | |
| | Bracket Door Hinge (UR) | | 3A1580-01 | | 1 | | | | | | | | |
| 8a | Countersunk Screw (Included in 1A0363G04) | 5x20, SS | 7C42-0520 | 3 | 3 | | | | | | | | |
| 9 | Hinge Stop Plate (R) | - | 4A0441-01 | 2 | 2 | | | | | | | | |
| 10 | Screw-Stop Plate | - | 4A0483-01 | 2 | 2 | | | | | | | | |
| 11 | Cover-Corner | - | 3A0221-01 | 8 | - | | | | | | | | |
| | | | 3A1751-01 | | 8 | | | | | | | | |
| 12 | Stop Pin | - | 4A1734-01 | 1 | 1 | | | | | | | | |
| 13 | Pivot Pin | - | 4A1735-01 | 1 | 1 | | | | | | | | |
| 14 | Bracket Door Hinge (UL) | - | 3A1581-01 | | 1 | | | | | | | | |
| 14a | Countersunk Screw (Included in 1A0363G04) | 5x20, SS | 7C42-0520 | | 3 | | | | | | | | |
| 15 | Filler Truss Head Screw | 5x10, SS | 7C32-0510 | 9 | 9 | | | | | | | | |

E. Panel-Front Hinged Assembly FH1-SSB(-HD)

L-5, M-5, M-6, M-7, N-5, N-6, P-5, P-6, P-7, Q-5, R-5, S-5, S-6

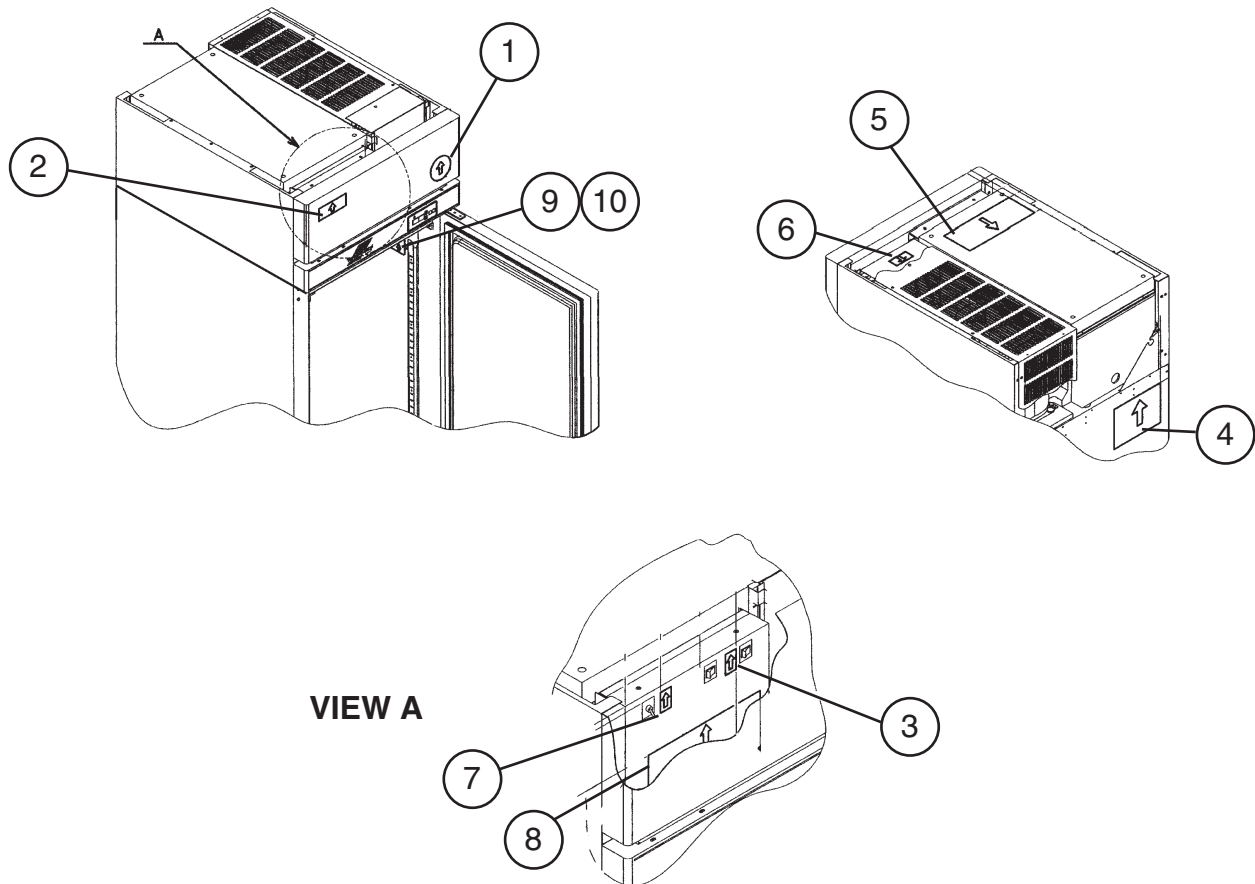


| Title: E. Panel-Front Hinged Assembly Model: FH1-SSB(-HD) | | | | | | | | | | |
|---|-----------------------|--------------------------|-------------|-----------------|--|--|--|--|--|--|
| Index No. | Description | Material or Model Number | Part Number | Required Number | | | | | | |
| | | | | L-5 to S-6 | | | | | | |
| 1 | Hinge-Front Panel (L) | GS | 4A2153-01 | 1 | | | | | | |
| 2 | Hinge-Front Panel (R) | GS | 4A2154-01 | 1 | | | | | | |
| 3 | Channel-Hinge | GS | 4A2170-01 | 2 | | | | | | |
| 3a | Truss Head Screw | 5x8, SS | 7C32-0508 | 4 | | | | | | |
| 4 | Panel-Front | SS | 1A0624-01 | 1 | | | | | | |

F. Label Location

FH1-SSB(-HD)

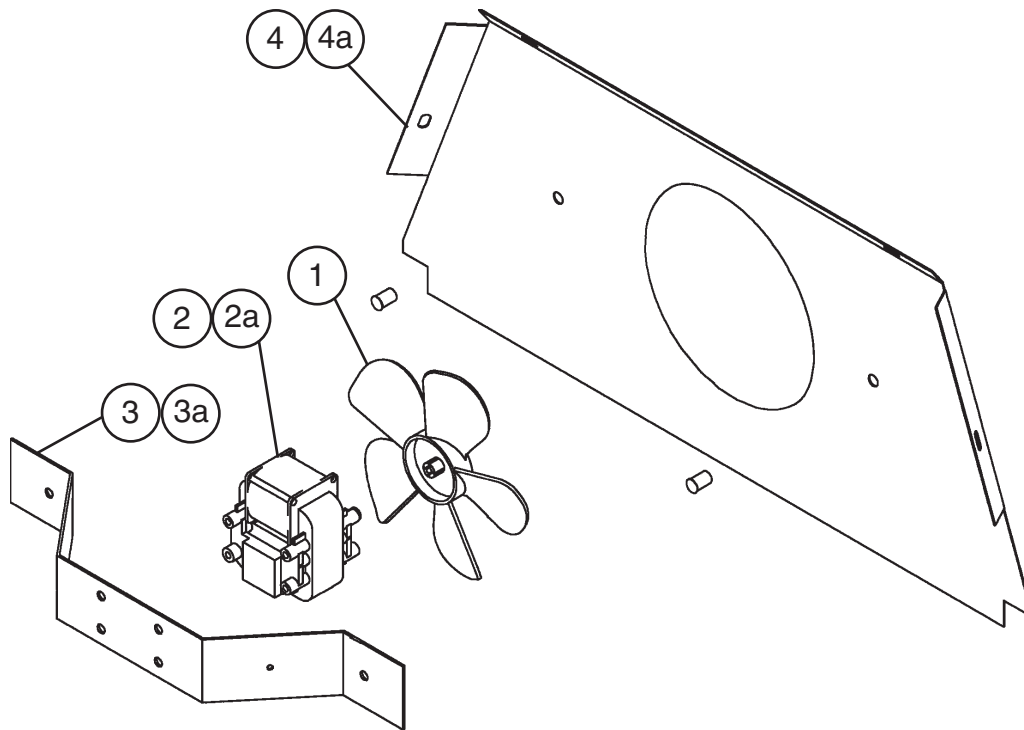
H-0, J-0, J-1, J-2, K-0, K-1, L-5, M-5, M-6, M-7, N-5, N-6, P-5, P-6, P-7, Q-5, R-5, S-5, S-6



| Title: F. Label Location Model: FH1-SSB(-HD) | | | | Required Number | | | | | | | |
|--|--------------------------|--------------------------|-------------|-----------------|---------------------|---------|-----------|---|---|---|--|
| Index No. | Description | Material or Model Number | Part Number | H-0 to N-5 | N-6 to R-5 | S-5 S-6 | | | | | |
| | | | | 1 | Label-Penguin-HA(L) | - | 4A0526-02 | 1 | 1 | 1 | |
| 2 | Emblem-Hoshizaki | - | 4A0560-01 | 1 | 1 | 1 | | | | | |
| 3 | Label-Door Heater Switch | PVC FILM | 4A1039-01 | 1 | 1 | 1 | | | | | |
| 4 | Caution Label | PVC FILM | 4A1931-01 | 1 | 1 | 1 | | | | | |
| 5 | Wiring Diagram | PVC FILM | 2A2341-01 | 1 | 1 | - | | | | | |
| | | | 2A4241-01 | | | 1 | | | | | |
| 6 | Label-R404A | - | 4A0960-01 | 1 | 1 | 1 | | | | | |
| 7 | Label-ON/OFF | - | 4A0522-01 | 1 | 1 | 1 | | | | | |
| 8 | Label-Display Info | - | 3A1413-01 | 1 | 1 | 1 | | | | | |
| 9 | Cover-Nameplate | - | 4A3727-01 | | 1 | 1 | | | | | |
| 10 | Nameplate | FH1-SSB | 4A1040-01 | 1 | - | | | | | | |
| | | FH1-SSB | 1A0763-18 | 1 | 1 | 1 | | | | | |
| | | FH1-SSB-HD | 4A1752-01 | 1 | - | | | | | | |
| | | FH1-SSB-HD | 1A0763-19 | 1 | 1 | 1 | | | | | |

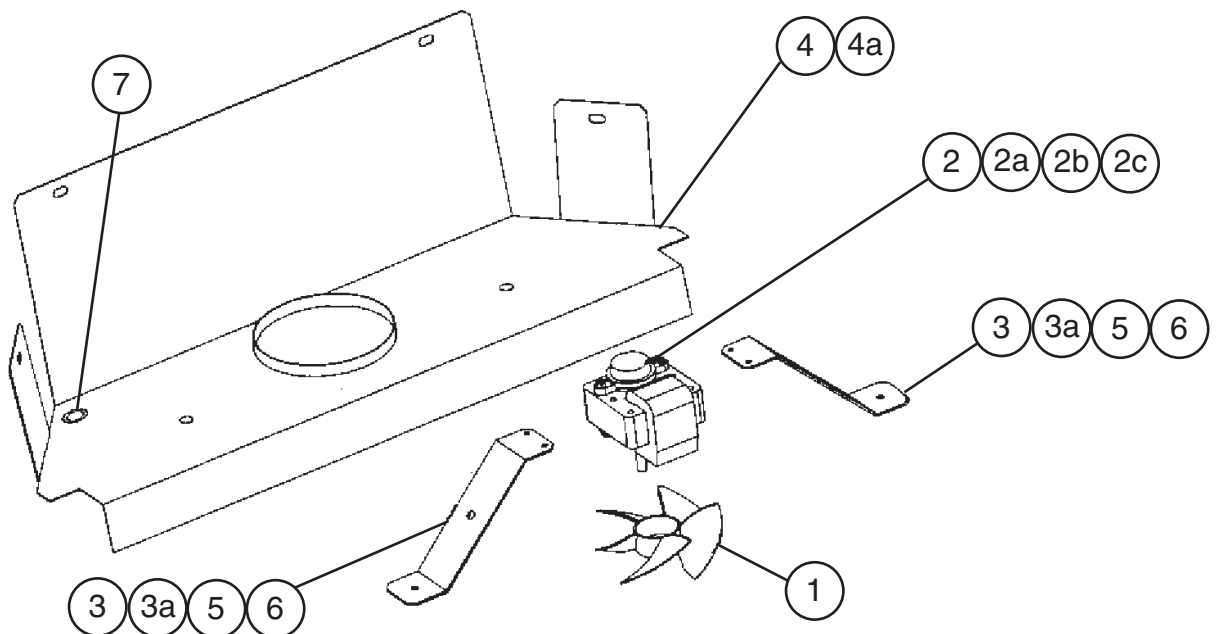
G. Evaporator Fan Shroud Assembly FH1-SSB(-HD)

H-0, J-0, J-1, J-2, K-0, K-1, L-5, M-5



G. Evaporator Fan Shroud Assembly FH1-SSB(-HD)

M-6, M-7, N-5, N-6, P-5, P-6, P-7, Q-5, R-5, S-5, S-6

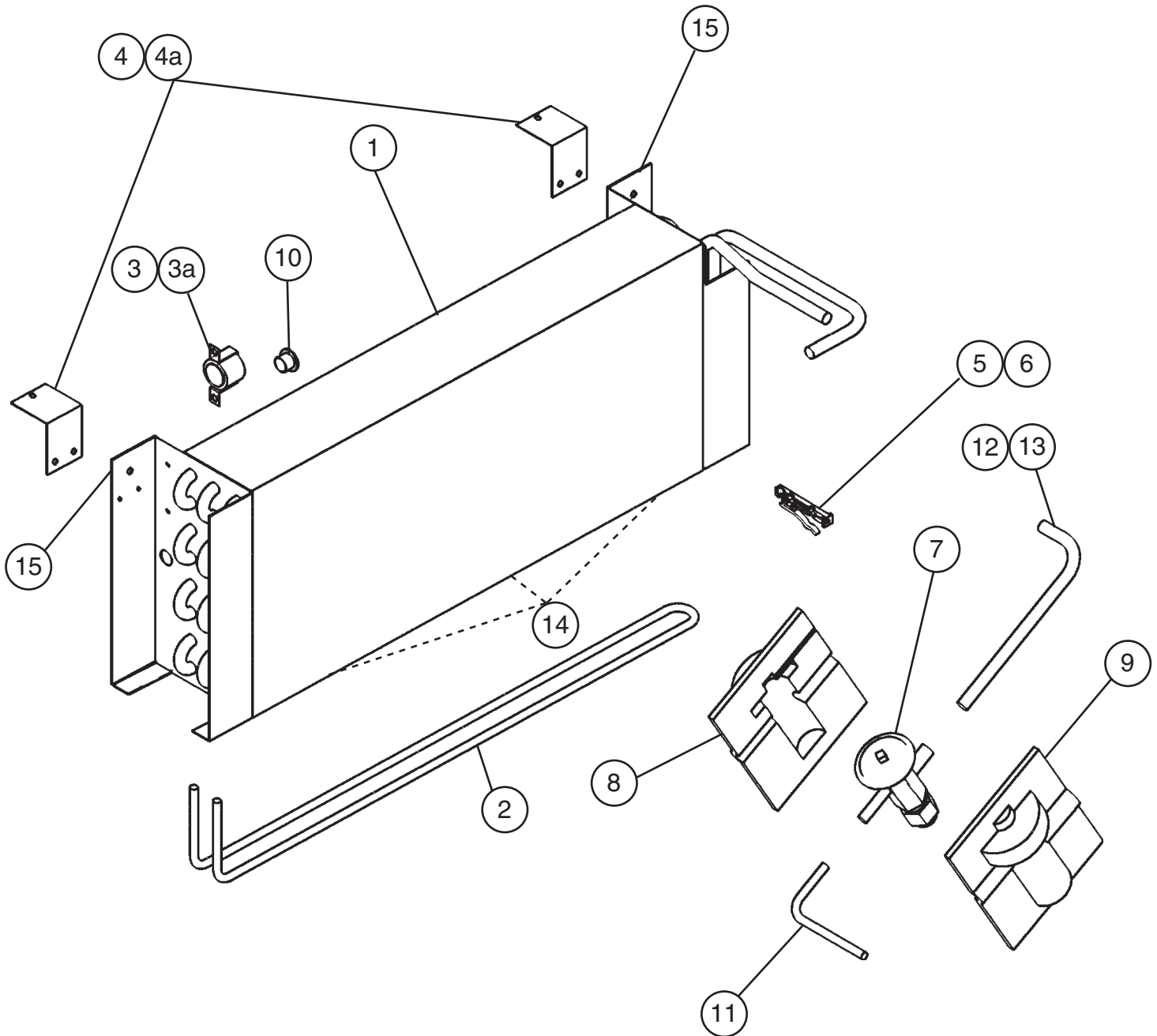


Title: **G. Evaporator Fan Shroud Assembly** Model: **FH1-SSB(-HD)**

| Index No. | Description | Material or Model Number | Part Number | Required Number | | | | | | | | | | |
|-----------|-----------------------|--------------------------|-------------|--|------------|------------|--|--|--|--|--|--|--|--|
| | | | | H-0 to M-5 | M-6 to P-5 | P-6 to S-6 | | | | | | | | |
| 1 | Evaporator Fan Blade | THORGREN 5562C3125L1 | 4A1131-01 | Note: Parts are not interchangeable. For auxiliary codes prior to M-6, order HS-3545 and replace the entire assembly. For auxiliary codes M-6 and later, order the appropriate part from this chart. | - | | | | | | | | | |
| | | - | 4A2802-01 | | 1 | 1 | | | | | | | | |
| 2 | Evaporator Fan Motor | JAKEL J238-100-10070 | 4A1132-01 | | - | | | | | | | | | |
| | | - | 4A2563-01 | | 1 | 1 | | | | | | | | |
| 2a | Pan Head Screw | 8, 32x½, SS | 7C12I0812 | | - | | | | | | | | | |
| | Truss Head Screw | 4x40, SS | 7C32-0440 | | 4 | 4 | | | | | | | | |
| 2b | Split Lock Washer | M4, SS | 7L22-0400 | | 4 | 4 | | | | | | | | |
| 2c | Hex Nut | M4, SS | 7N12-0400 | | 4 | 4 | | | | | | | | |
| 3 | Fan Motor Bracket | SS | 3A0863-01 | | - | | | | | | | | | |
| | | - | 3A2480-01 | | 2 | 2 | | | | | | | | |
| 3a | Truss Head Screw | 5x12, SS | 7C32-0512 | | 2 | 2 | | | | | | | | |
| 4 | Evaporator Fan Shroud | SS | 2A0846-01 | | - | | | | | | | | | |
| | | - | 2A2565G01 | | 1 | - | | | | | | | | |
| | | - | 2A2565G02 | | | 1 | | | | | | | | |
| 4a | Truss Head Screw | 4x16, SS | 7C32-0416 | 4 | 4 | | | | | | | | | |
| 5 | Lock-Washer | - | 4A0459-01 | 2 | 2 | | | | | | | | | |
| 6 | Wire Tie (Twist) | - | 4A1223-01 | 2 | 2 | | | | | | | | | |
| 7 | Bushing | SB-625-8 | 420470-01 | 1 | 1 | | | | | | | | | |

H. Evaporator Assembly FH1-SSB(-HD)

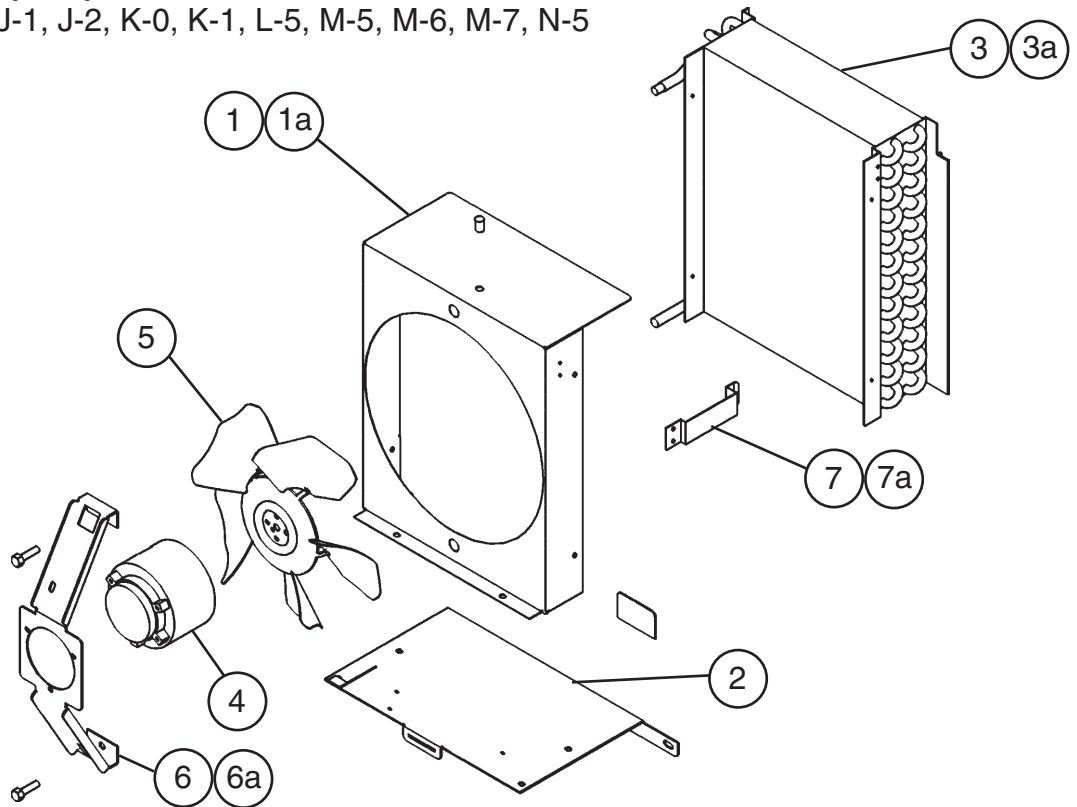
H-0, J-0, J-1, J-2, K-0, K-1, L-5, M-5, M-6, M-7, N-5, N-6, P-5, P-6, P-7, Q-5, R-5, S-5,
S-6



| Title: H. Evaporator Assembly Model: FH1-SSB(-HD) | | | | | | | | | | | | |
|---|---------------------------|--------------------------|-------------|-----------------|---------|------------|---------|--|--|--|--|--|
| Index No. | Description | Material or Model Number | Part Number | Required Number | | | | | | | | |
| | | | | H-0 to K-1 | L-5 M-5 | M-6 to R-5 | S-5 S-6 | | | | | |
| 1 | Evaporator | Heatcraft | 2A0781-01 | 1 | 1 | 1 | 1 | | | | | |
| 2 | Heater-Defrost | - | 3A0846-01 | 1 | 1 | 1 | 1 | | | | | |
| 3 | Thermostat-Defrost | Therm-O-Disc | 4A0954-01 | 1 | - | | | | | | | |
| | | Therm-O-Disc | 4A0954-02 | | 1 | 1 | 1 | | | | | |
| 3a | T2 Screw | 4x8, SS | 7P32-0408 | 2 | 2 | 2 | 2 | | | | | |
| 4 | Bracket-Evaporator | SS | 4A1588-01 | 2 | 2 | - | | | | | | |
| | | | 4A2542-01 | | | 2 | 2 | | | | | |
| 4a | T2 Screw | 4x8, SS | 7P32-0408 | 4 | 4 | 4 | 4 | | | | | |
| 5 | Thermistor-Clip | - | 320418-01 | 1 | 1 | 1 | 1 | | | | | |
| 6 | Thermistor-Defrost | Taiko | 4A1428-01 | 1 | 1 | 1 | 1 | | | | | |
| 7 | Expansion Valve | - | 4A1135-01 | 1 | 1 | 1 | - | | | | | |
| | | | 4A4196-01 | | | | 1 | | | | | |
| 8 | Expansion Valve Cover (A) | PE | 3A0372-01 | 1 | 1 | 1 | 1 | | | | | |
| 9 | Expansion Valve Cover (B) | PE | 3A0372-02 | 1 | 1 | 1 | 1 | | | | | |
| 10 | Bushing | OCB-500 | 428394-02 | 1 | 1 | 1 | 1 | | | | | |
| 11 | Tube-Liquid | - | 4A1332-01 | 1 | 1 | 1 | 1 | | | | | |
| 12 | Tube-Evaporator Inlet | - | 4A1292-01 | 1 | 1 | 1 | 1 | | | | | |
| 13 | Insulation Tubing | L=655 | 7762-1030 | 1 | 1 | 1 | 1 | | | | | |
| 14 | Support-Heater Defrost | - | 4A2506-01 | 3 | 3 | 3 | 3 | | | | | |
| 15 | Gasket-PVC | L=206 | 4A0414L03 | 2 | 2 | 2 | 2 | | | | | |

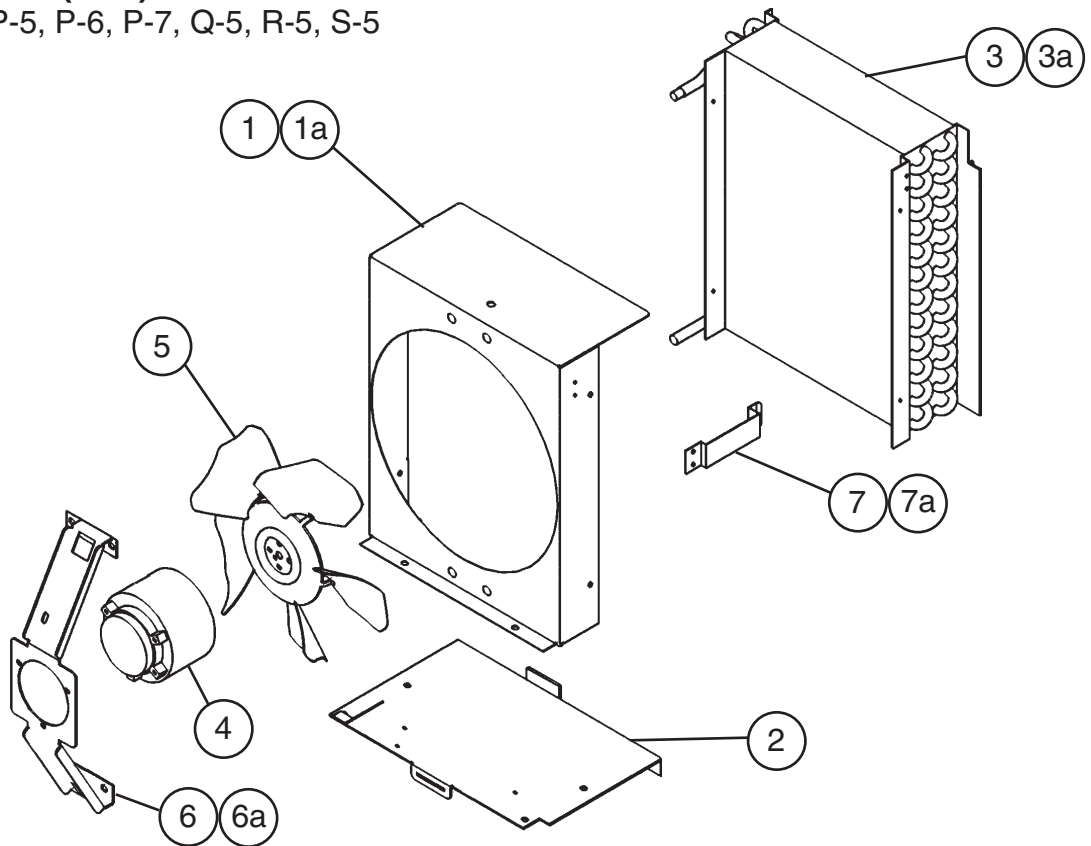
J. Condenser Assembly FH1-SSB(-HD)

H-0, J-0, J-1, J-2, K-0, K-1, L-5, M-5, M-6, M-7, N-5

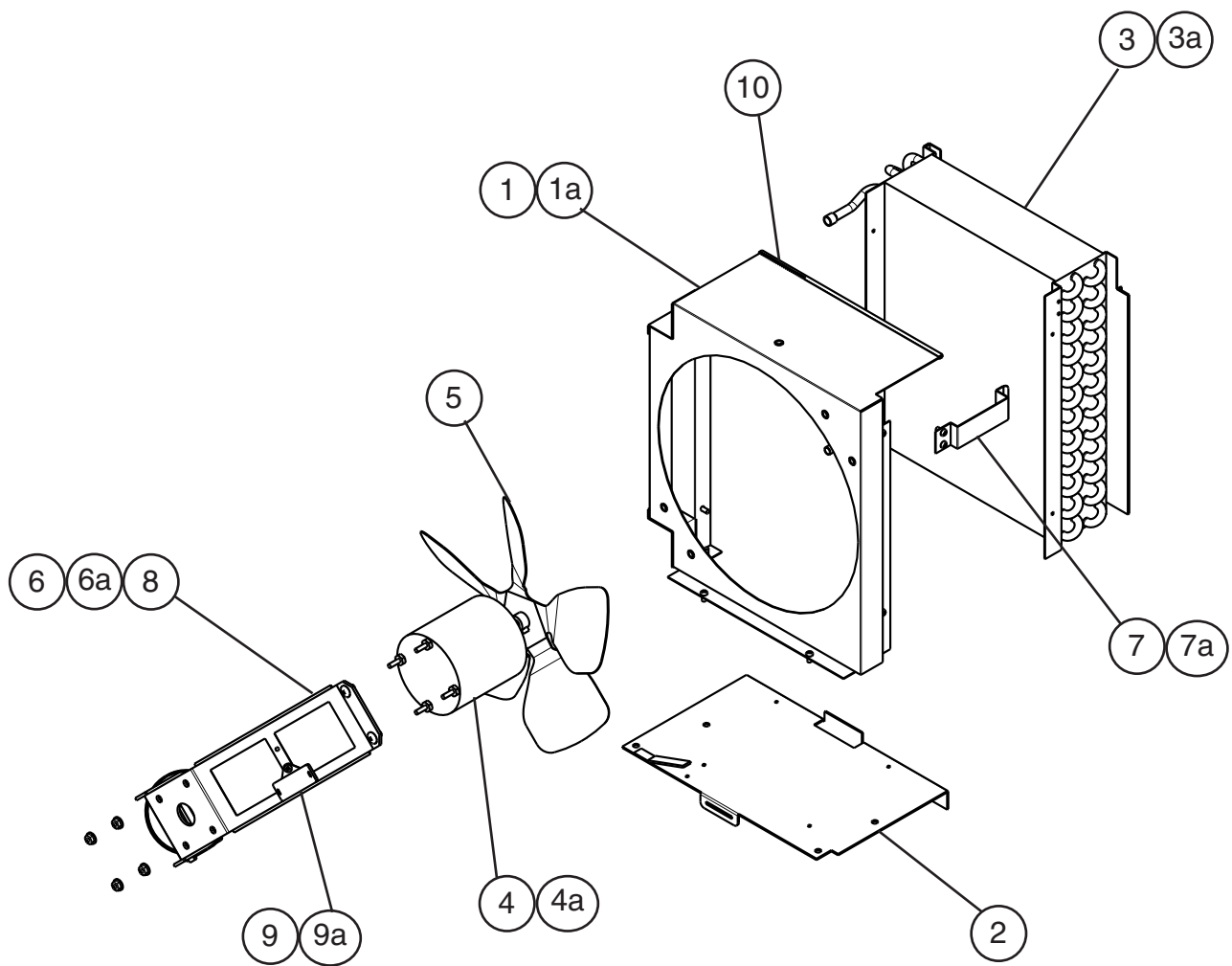


J. Condenser Assembly FH1-SSB(-HD)

N-6, P-5, P-6, P-7, Q-5, R-5, S-5



J. Condenser Assembly FH1-SSB(-HD) S-6

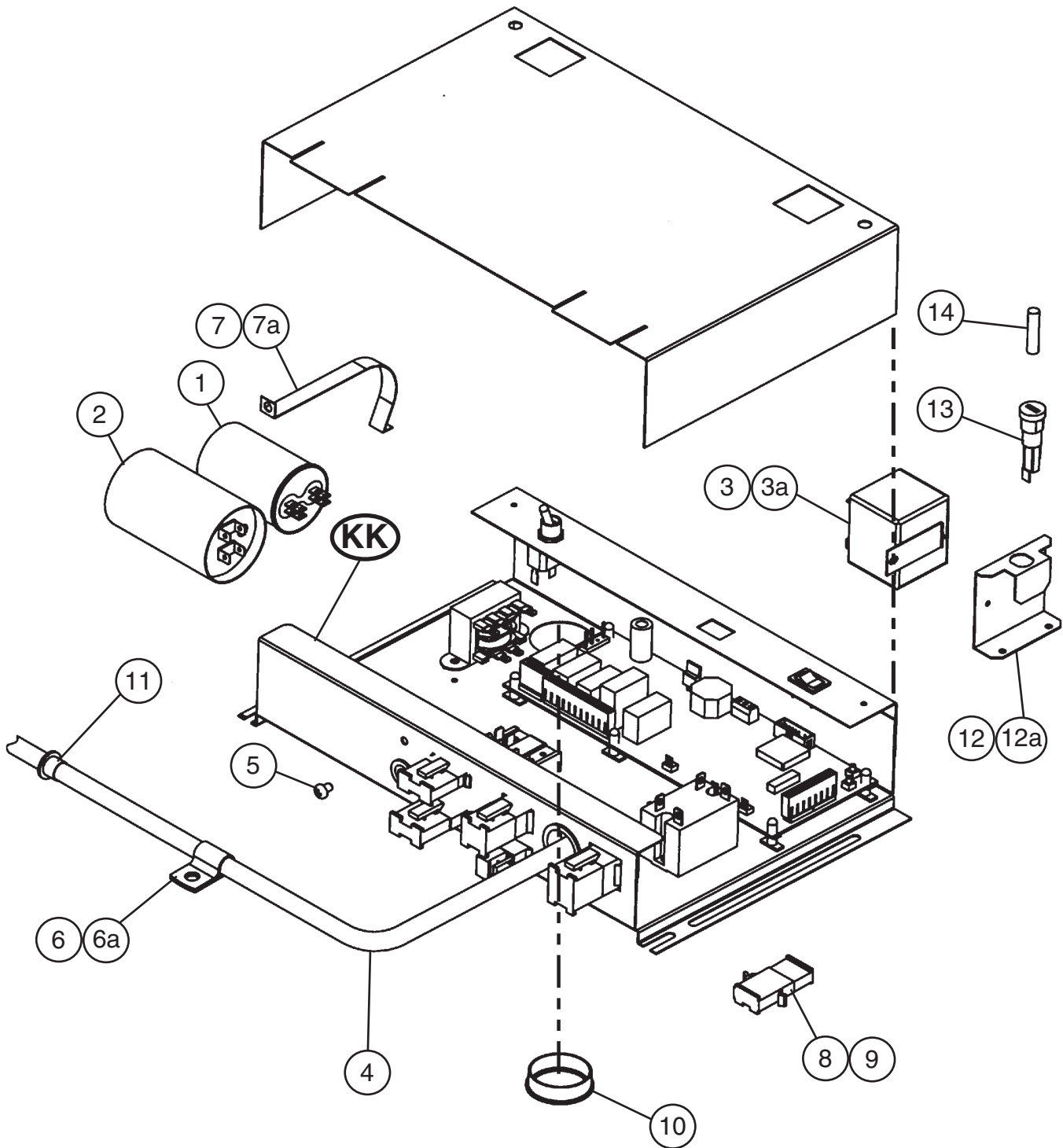


| Title: J. Condenser Assembly Model: FH1-SSB(-HD) | | | | | | | | | | | | |
|--|-----------------------------|--------------------------|-------------|-----------------|------------------|------------------|-----|---|--|--|--|--|
| Index No. | Description | Material or Model Number | Part Number | Required Number | | | | | | | | |
| | | | | H-0 J-0 | J-1 to N-5 | N-6 to S-5 | S-6 | | | | | |
| 1 | Shroud Condenser | GS | 2A0620-02 | 1 | - | | | | | | | |
| | | | 2A1685-02 | | 1 | - | | | | | | |
| | | | 2A2722-02 | | | 1 | - | | | | | |
| | | | 2A2723-01 | | | | | 1 | | | | |
| 1a | T2 Screw | 4x8, SS | 7P32-0408 | 4 | 4 | 4 | 4 | | | | | |
| 2 | Base-Condenser | GS | 2A1027G01 | 1 | - | | | | | | | |
| | | | 2A2724G01 | | 1 | 1 | 1 | | | | | |
| 3 | Condenser | - | 2A0782-01 | 1 | 1 | 1 | 1 | | | | | |
| 3a | T2 Screw | 4x8, SS | 7P32-0408 | 4 | 4 | 4 | 4 | | | | | |
| 4 | Fan Motor | 16W | 4A0815-01 | 1 | 1 | 1 | - | | | | | |
| | | - | 4A3158-01 | | | | 1 | | | | | |
| 4a | Self Locking Nut | 8x32 | 7N2110832 | | | | 4 | | | | | |
| 5 | Condenser Fan Blade | Air Drive | 3A0608-01 | 1 | 1 | 1 | - | | | | | |
| | | | 4A1865-01 | | | | 1 | | | | | |
| 6 | Condenser Fan Motor Bracket | GS | 3A0457-01 | 1 | 1 | - | | | | | | |
| | | | 3A1564-01 | | | 1 | - | | | | | |
| | | | 3A2352-01 | | | | 1 | | | | | |
| 6a | Hex Bolt | 6x25 | 7B01-0625 | 2 | 2 | - | | | | | | |
| | Truss Head Screw | 5x12, SS | 7C32-0512 | | | 4 | - | | | | | |
| | Truss Head Screw | 5x10, SS | 7C32-0510 | | | | 4 | | | | | |
| 7 | Retainer-Filter | GS | 4A0790-01 | 1 | 1 | 1 | 1 | | | | | |
| 7a | T2 Screw | 4x8, SS | 7P32-0408 | 2 | 2 | 2 | 2 | | | | | |
| 8 | Cable Tie | CV-200 | 8911-0200 | | | | 2 | | | | | |
| 9 | Capacitor | 5MFD, 250V | 443192-02 | | | | 1 | | | | | |
| 9a | T2 Screw | 4x8, SS | 7P32-0408 | | | | 2 | | | | | |
| 10 | Grommet Strip | L=242 | 4A1341L01 | | | | 1 | | | | | |

K. Control Box Assembly

FH1-SSB(-HD)

H-0, J-0, J-1, J-2, K-0, K-1, L-5, M-5, M-6, M-7, N-5, N-6, P-5, P-6, P-7, Q-5, R-5, S-5, S-6

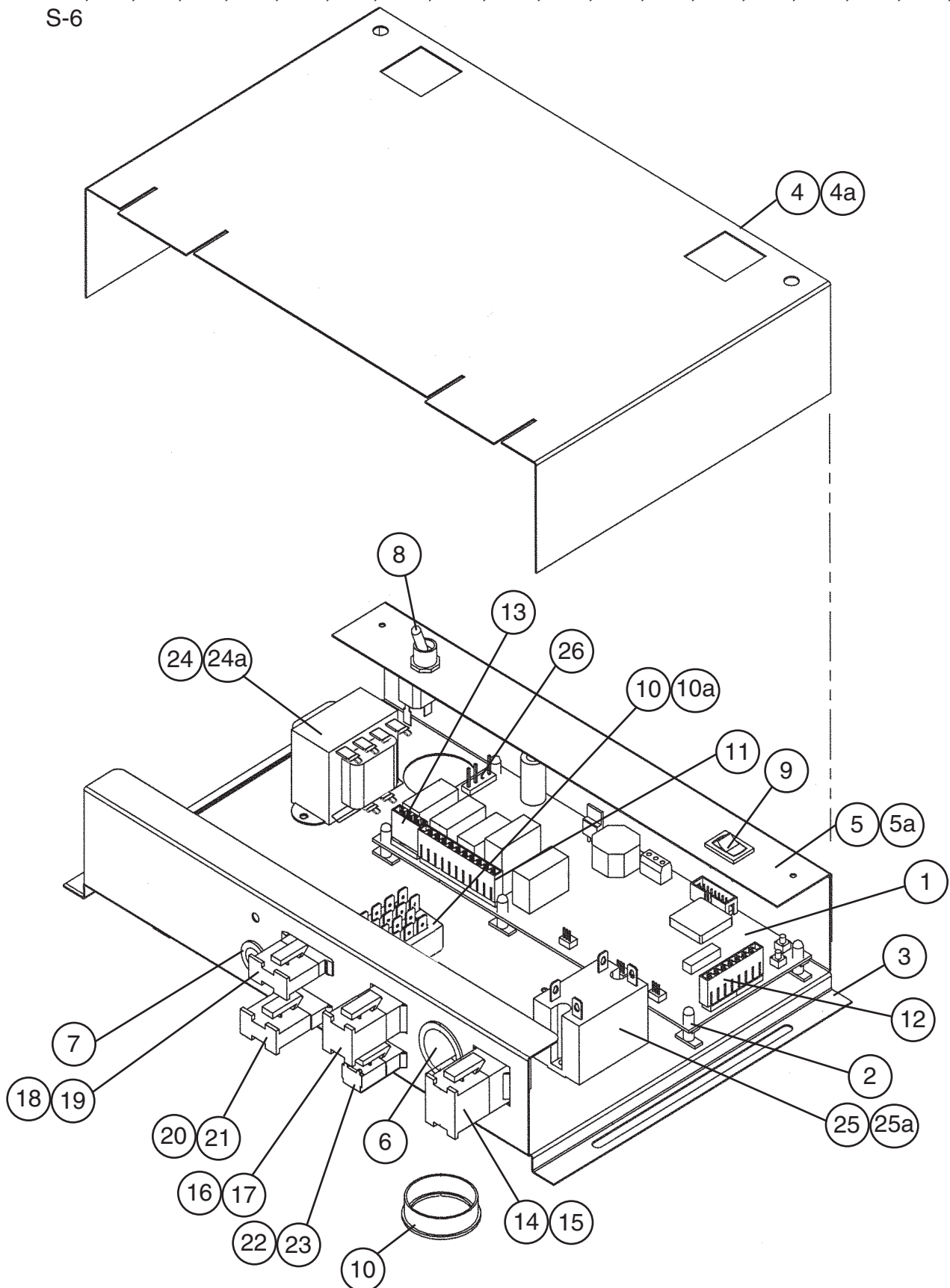


| Title: K. Control Box Assembly Model: FH1-SSB(-HD) | | | | | | | | | | | | |
|--|----------------------------|--------------------------|-------------|-----------------|------------|-----|------------|------------|-----|--|--|--|
| Index No. | Description | Material or Model Number | Part Number | Required Number | | | | | | | | |
| | | | | H-0 | J-0 to L-5 | M-5 | M-6 to P-5 | P-6 to S-5 | S-6 | | | |
| KK | Common Control Box | - | 2A1147A01 | 1 | 1 | 1 | 1 | - | | | | |
| | | | 2A1147A04 | | | | | 1 | - | | | |
| | | | 2A1147A01 | | | | | | 1 | | | |
| 1 | Capacitor-Run | 15MFD, 370V | 439943-04 | 1 | 1 | - | | | | | | |
| | | | 3A2005-08 | | | 1 | 1 | 1 | - | | | |
| 2 | Capacitor-Start | 270-324MFD, 165V | 3A0076-06 | 1 | 1 | 1 | 1 | 1 | - | | | |
| | | 369-451MFD, 125V | 4A2134-02 | | | | | | 1 | | | |
| 3 | Starter | 3ARR3W2M1 | 4A1308-01 | 1 | - | | | | | | | |
| | | GE 3ARR3CT2M5 | 4A1107-03 | | 1 | 1 | 1 | 1 | - | | | |
| | | 117-7441 | 4A3683-01 | | | | | | 1 | | | |
| 3a | T2 Screw | 4x8, SS | 7P32-0408 | 1 | 1 | 1 | 1 | 1 | 1 | | | |
| 4 | Power Cord | - | 4A0520-01 | 1 | 1 | 1 | - | | | | | |
| 5 | Grounding Screw | M5 | 433304-02 | 1 | 1 | 1 | 1 | 1 | 1 | | | |
| 6 | Wire Clamp | - | 4A0809-02 | 1 | 1 | 1 | - | | | | | |
| 6a | T2 Screw | 4x8, SS | 7P32-0408 | 1 | 2 | 2 | - | | | | | |
| 7 | Strap | GS | 434580-14 | 1 | 1 | 1 | 1 | - | | | | |
| | | | 434580-15 | | | | | 1 | 1 | | | |
| 7a | T2 Screw | 4x8, SS | 7P32-0408 | 1 | 1 | 1 | 1 | 1 | 1 | | | |
| 8 | Plug Housing (3 Pin) | 3191-03P | 412832-06 | 1 | 1 | 1 | 1 | 1 | 1 | | | |
| 9 | Receptacle Housing (3 Pin) | 3191-03R1 | 412831-06 | 1 | 1 | 1 | 1 | 1 | 1 | | | |
| 10 | Bushing | SB-1500-21 | 420470-06 | 1 | 1 | 1 | 1 | 1 | 1 | | | |
| 11 | Bushing | SB-625-8 | 420470-01 | 1 | 1 | 1 | - | | | | | |
| 12 | Mount Bracket | GS | 4A1876-01 | | 1 | 1 | 1 | - | | | | |
| | | | 4A3363-01 | | | | | 1 | 1 | | | |
| 12a | T2 Screw | 4x8, SS | 7P32-0408 | | | | | 2 | 2 | | | |
| 13 | Fuse Holder | HTB92I | 4A0892-01 | | | | | 1 | 1 | | | |
| 14 | Fuse | AGC-5 5A 250V | 4A0893-09 | | | | | 1 | 1 | | | |

KK. Common Control Box

FH1-SSB(-HD)

H-0, J-0, J-1, J-2, K-0, K-1, L-5, M-5, M-6, M-7, N-5, N-6, P-5, P-6, P-7, Q-5, R-5, S-5, S-6

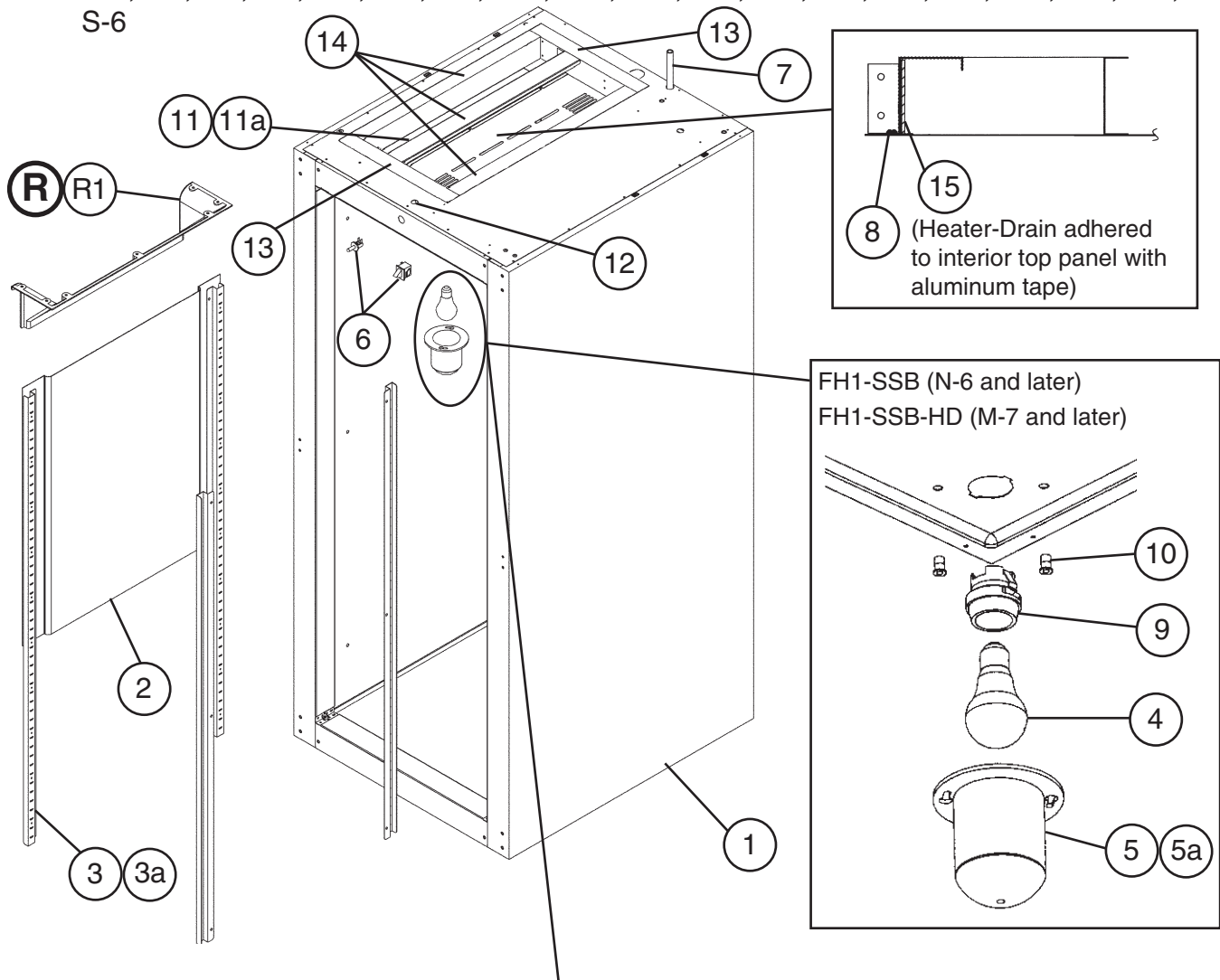


Title: **KK. Common Control Box** Model: **FH1-SSB(-HD)**

| Index No. | Description | Material or Model Number | Part Number | Required Number | | | | | | | | |
|-----------|----------------------------|--------------------------|-------------|-----------------|------------|------------|--|--|--|--|--|--|
| | | | | H-0 to K-1 | L-5 to M-6 | M-7 to S-6 | | | | | | |
| 1 | Board-Control | - | 2A2862-23 | 1 | 1 | 1 | | | | | | |
| 2 | Board Support | NYLON | 4A0336-03 | 6 | 6 | 6 | | | | | | |
| 3 | Base-Control Box | GS | 2A1146-01 | 1 | 1 | 1 | | | | | | |
| 4 | Cover-Control Box | GS | 2A1031-01 | 1 | 1 | 1 | | | | | | |
| 4a | T2 Screw | 4x8, SS | 7P32-0408 | 2 | 2 | 2 | | | | | | |
| 5 | Switch-Bracket | GS | 2A1032-02 | 1 | 1 | 1 | | | | | | |
| 5a | T2 Screw | 4x8, SS | 7P32-0408 | 2 | 2 | 2 | | | | | | |
| 6 | Bushing | SB-1093-15 | 420470-03 | 1 | 1 | 1 | | | | | | |
| 7 | Bushing | SB-625-8 | 420470-01 | 1 | 1 | 1 | | | | | | |
| 8 | Switch-Toggle | 7802K21 | 4A0424-01 | 1 | 1 | 1 | | | | | | |
| 9 | Switch-Rocker | 1801 1102 | 4A0418-01 | 1 | 1 | 1 | | | | | | |
| 10 | Terminal Block | ESB1-6-8 | 4A1540-01 | 1 | 1 | - | | | | | | |
| | | - | 4A2619-01 | | | 1 | | | | | | |
| 10a | Tapping Screw | 3x8 | 431415-01 | 1 | 1 | 1 | | | | | | |
| 11 | Board Connector | 5198-10 | 434003-05 | 1 | 1 | 1 | | | | | | |
| 12 | Board Connector | 5198-07 | 434003-07 | 1 | 1 | 1 | | | | | | |
| 13 | Board Connector | 5198-03 | 434003-11 | 1 | 1 | 1 | | | | | | |
| 14 | Plug Housing (9 PIN) | 3191-09P | 412832-02 | 1 | 1 | 1 | | | | | | |
| 15 | Receptacle Housing (9 PIN) | 3191-09R1 | 412831-02 | 1 | 1 | 1 | | | | | | |
| 16 | Plug Housing (6 PIN) | 3191-06P | 412832-03 | 1 | 1 | 1 | | | | | | |
| 17 | Receptacle Housing (6 PIN) | 3191-06R1 | 412831-03 | 1 | 1 | 1 | | | | | | |
| 18 | Plug Housing | 03-12-2036 | 4A0425-01 | 1 | 1 | 1 | | | | | | |
| 19 | Receptacle Housing | 03-12-1035 | 4A0426-01 | 1 | 1 | 1 | | | | | | |
| 20 | Receptacle Housing (4 PIN) | 3191-04R1 | 412831-05 | 1 | 1 | 1 | | | | | | |
| 21 | Plug Housing (4 PIN) | 3191-04P | 412832-05 | 1 | 1 | 1 | | | | | | |
| 22 | Receptacle Housing (2 PIN) | 3191-02R1 | 412831-07 | 1 | 1 | 1 | | | | | | |
| 23 | Plug Housing (2 PIN) | 3191-02P | 412832-07 | 1 | 1 | 1 | | | | | | |
| 24 | Transformer | 26D285H | 3A0172-01 | 1 | - | | | | | | | |
| | | - | 3A1759-01 | | 1 | 1 | | | | | | |
| 24a | Tapping Screw | 3x8 | 431415-01 | 2 | 2 | 2 | | | | | | |
| 25 | Compressor Relay | HE1AN-AC120V | 4A1307-01 | 1 | 1 | 1 | | | | | | |
| 25a | Tapping Screw | 3x8 | 431415-01 | 2 | 2 | 2 | | | | | | |
| 26 | Board Connector | 5198-03 | 434003-09 | 1 | 1 | 1 | | | | | | |

L. Body-Prefinal FH1-SSB(-HD)

H-0, J-0, J-1, J-2, K-0, K-1, L-5, M-5, M-6, M-7, N-5, N-6, P-5, P-6, P-7, Q-5, R-5, S-5, S-6

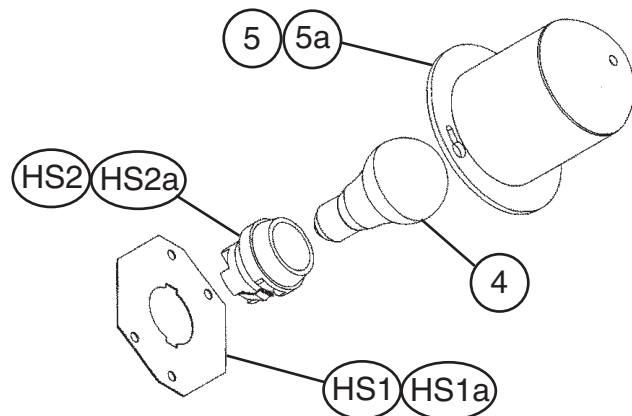


FH1-SSB (M-7 and earlier)
FH1-SSB-HD (M-6 and earlier)

The santoprene light socket was changed to a porcelain lampholder at N-6 for the FH1-SSB and M-7 for the FH1-SSB-HD. This change is non-interchangeable. If the light socket is not operating on a unit with a santoprene light socket, Hoshizaki recommends replacement with HS-3554.

Note:

Parts 4, 5 and 5a are not included in HS-3554; they are shown for reference only.

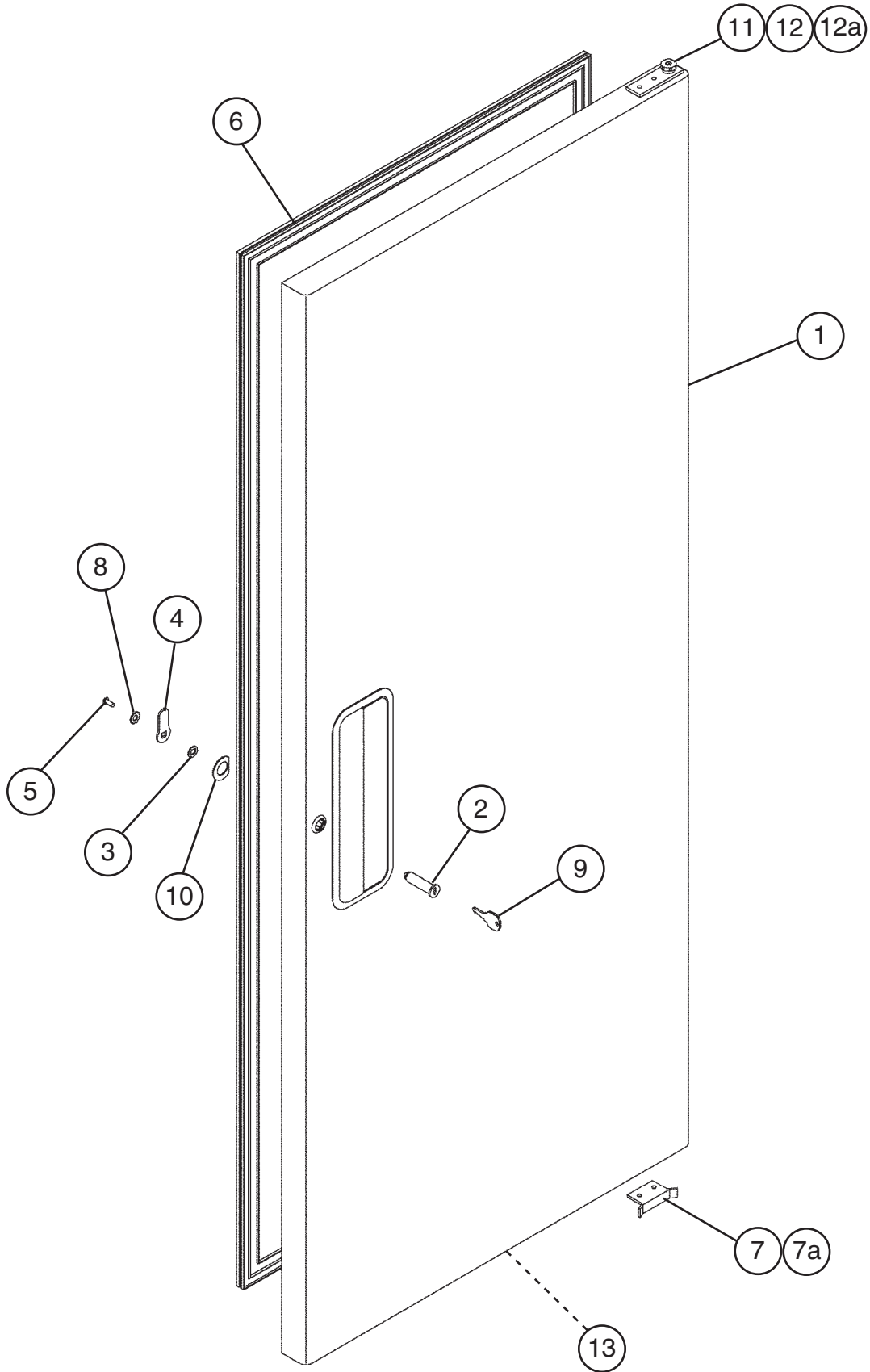


| Title: L. Body-Prefinal Model: FH1-SSB(-HD) | | | | | | | | | | | | |
|---|------------------------------|--------------------------|-------------|---|-----|-----|------------|---------|---------|------------|---|--|
| Index No. | Description | Material or Model Number | Part Number | Required Number | | | | | | | | |
| | | | | H-0 | J-0 | J-1 | J-2 to M-6 | M-7 N-5 | N-6 P-5 | P-6 to S-6 | | |
| R | Distributor-Air Top Assembly | ABS | 2A0438G01 | 1 | 1 | 1 | 1 | 1 | 1 | 1 | - | |
| | | | 2A3086A01 | | | | | | | | 1 | |
| R1 | T2 Screw | 4x8, SS | 7P32-0408 | 7 | 7 | 7 | 7 | 7 | 7 | 7 | 7 | |
| 1 | Cabinet Prefoam | FH1-SSB | 1A0173G01 | 1 | 1 | 1 | 1 | 1 | 1 | - | | |
| | | | 1A0173G05 | | | | | | | 1 | 1 | |
| | | FH1-SSB-HD | 1A0353G01 | 1 | 1 | 1 | 1 | - | | | | |
| | | | 1A0353G04 | | | | | 1 | 1 | 1 | | |
| 2 | Distributor-Air (Bottom) | SS | 2A0425-01 | 1 | 1 | 1 | 1 | 1 | 1 | 1 | | |
| 3 | Pilaster | SS | 3A0145-01 | 4 | 4 | 4 | 4 | 4 | 4 | 4 | | |
| 3a | Truss Head Screw | 5x10, SS | 7C32-0510 | 12 | 12 | 12 | 12 | 12 | 12 | 12 | | |
| 4 | Bulb-Light | FH1-SSB (GE, 40A15) | 4A0437-01 | 1 | 1 | 1 | 1 | 1 | - | | | |
| | | | 4A2420-01 | | | | | | 1 | 1 | | |
| | | FH1-SSB-HD (GE, 40A15) | 4A0437-01 | 1 | 1 | 1 | 1 | - | | | | |
| | | | 4A2420-01 | | | | | 1 | 1 | 1 | | |
| 5 | Shield-Light | Standard Kiel | 4A0465-01 | 1 | 1 | 1 | 1 | 1 | 1 | 1 | | |
| 5a | Truss Head Screw | 5x10, SS | 7C32-0510 | 2 | 2 | - | | | | | | |
| | Cheese Head Screw | 5x12, SS | 7C52-0512 | | | 2 | 2 | 2 | 2 | 2 | | |
| 6 | Switch-Door | FH1-SSB (Nylon) | 4A0487-01 | 1 | - | | | | | | | |
| | | | 3A1386-01 | | 1 | 1 | 1 | 1 | - | | | |
| | | | 3A1826-01 | | | | | | 1 | 1 | | |
| | | FH1-SSB-HD (Nylon) | 4A0487-01 | 2 | - | | | | | | | |
| | | | 3A1386-01 | | 2 | 2 | - | | | | | |
| | | | 3A1826-01 | | | | 2 | 2 | 2 | 2 | | |
| 7 | Vinyl Hose | L=1700 | 7716-0913 | 1 | - | | | | | | | |
| | | | 773013812 | | 1 | 1 | 1 | 1 | 1 | 1 | | |
| 8 | Heater-Drain | 10758 25W 115V | 4A2975-03 | | | | | | | 1 | | |
| 9 | Lampholder | FH1-SSB | 4A2862-01 | Non-interchangeable part change. If light socket is not operating for these codes, Hoshizaki recommends replacement with HS-3554 (below). | | | | - | 1 | 1 | | |
| | | FH1-SSB-HD | 4A2862-01 | | | | | 1 | 1 | 1 | | |
| 10 | Threaded Insert - Wide | FH1-SSB | 4A0839-01 | | | | | - | | | | |
| | | FH1-SSB-HD | 4A0839-01 | | | | | - | | | | |
| 11 | Divider-Air | - | 2A0199-01 | 1 | 1 | 1 | 1 | 1 | 1 | 1 | | |
| 11a | T2 Screw | 4x8, SS | 7P32-0408 | 4 | 4 | 4 | 4 | 4 | 4 | 4 | | |
| 12 | Bushing | OCB-875 | 428394-04 | 2 | 2 | 2 | - | | | | | |
| 13 | Gasket-PVC | L=375 | 4A0414L01 | 1 | 2 | 2 | - | | | | | |
| | | L=400 | 4A0414L03 | | | | 2 | 2 | 2 | 2 | | |
| 14 | Gasket-PVC | L=575 | 4A0414L01 | 4 | 3 | 3 | - | | | | | |
| | | L=577 | 4A0414L03 | | | | 3 | 3 | 3 | 3 | | |
| 15 | Plate-ABS | - | 4A0758-01 | 1 | 1 | 1 | 1 | 1 | 1 | 1 | | |

| HS-3554-Lampholder Conversion Kit | | | | | |
|-----------------------------------|------------------------|--------------------------|-------------|---------------------------|------------------------------|
| Index No. | Description | Material or Model Number | Part Number | Required Number | |
| | | | | FH1-SSB (M-7 and earlier) | FH1-SSB-HD (M-6 and earlier) |
| HS1 | Plate-Lampholder Mount | SS | 4A2880-01 | 1 | |
| HS1a | Cheese Head Screw | SS | 7C52-0512 | 2 | |
| HS2 | Lampholder | - | 4A2862-01 | 1 | |
| HS2a | Terminal-Flag | DNFR18-250FIBK | 8101-18FJ | 2 | |

M. Door-Right FH1-SSB

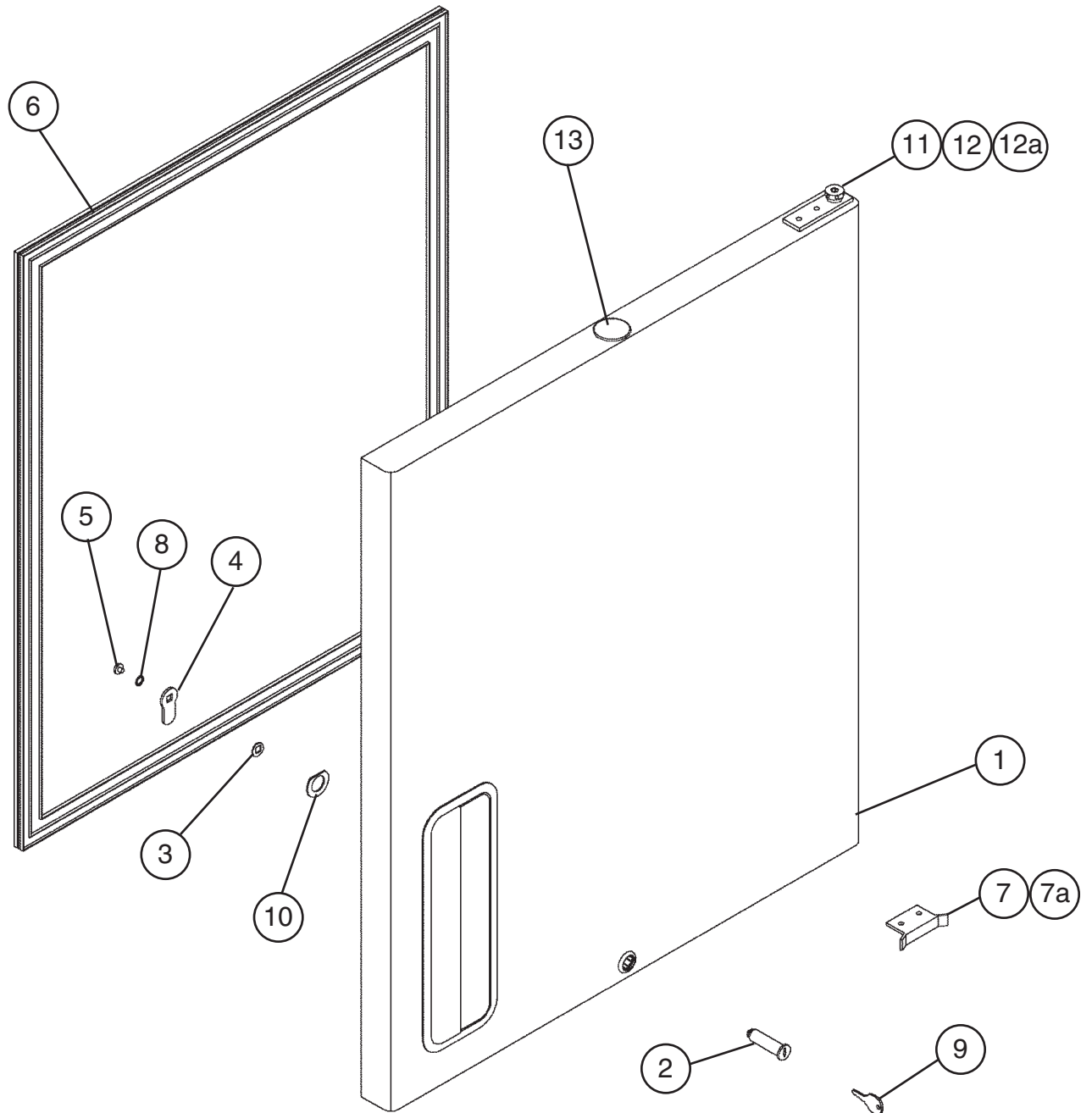
H-0, J-0, J-1, J-2, K-0, K-1, L-5, M-5, M-6, M-7, N-5, N-6, P-5, P-6, P-7, Q-5, R-5, S-6



| Title: M. Door-Right Model: FH1-SSB | | | | | | | | | | | |
|---|--|-----------------------------|-------------|-----------------|------------|------------|--|--|--|--|--|
| Index No. | Description | Material or Model Number | Part Number | Required Number | | | | | | | |
| | | | | H-0 | J-0 to K-1 | L-5 to S-6 | | | | | |
| 1 | Door-Prefoam (R) | - | 1A0317G01 | 1 | 1 | - | | | | | |
| | | | 1A0317G03 | | | 1 | | | | | |
| 2 | Lock-Tumbler | M4-5813-001 | 4A0462-01 | 1 | 1 | 1 | | | | | |
| 3 | Lock-Stop Washer | M5-8060-103 | 4A0458-01 | 1 | 1 | 1 | | | | | |
| 4 | Cam-Door Lock | SS | 4A0228-01 | 1 | 1 | 1 | | | | | |
| 5 | Lock-Screw | SS | 4A0461-01 | 1 | 1 | 1 | | | | | |
| 6 | Gasket-Door | JARROW #P-2209 244A GRAY | 3A0273-01 | 1 | 1 | 1 | | | | | |
| 7 | Stop-Door | SS | 4A0351-01 | 1 | 1 | - | | | | | |
| 7a | Screw-Countersunk | 5x20, SS | 7C42-0520 | 2 | - | | | | | | |
| | Truss Head Screw | 5x20, SS | 7C32-0520 | | 2 | - | | | | | |
| 8 | Lock-Washer | SS | 4A0459-01 | 1 | 1 | 1 | | | | | |
| 9 | Lock-Key | M5-0680-111 | 4A0460-01 | 1 | 1 | 1 | | | | | |
| 10 | Washer-Door Lock | SS | 4A0670-01 | 1 | 1 | 1 | | | | | |
| 11 | Hinge-Spring (R) (Included in item 12: 4A0438-01) | Black | 4A3312-01 | 1 | 1 | 1 | | | | | |
| 12 | Hinge-Spring Cart (R) (Included in item 1: 1A0317G01, 1A0317G03) | - | 4A0438-01 | 1 | 1 | 1 | | | | | |
| 12a | Countersunk Screw (Included in item 1: 1A0317G01, 1A0317G03) | 5x20, SS | 7C42-0520 | 2 | 2 | 2 | | | | | |
| 13 | Locking Hole Plug | - | 4A0586-02 | 1 | - | | | | | | |
| | | | 4A0586-03 | | 1 | - | | | | | |
| | | | 4A0586-06 | | | 1 | | | | | |

N. Door-Half (UR) FH1-SSB-HD

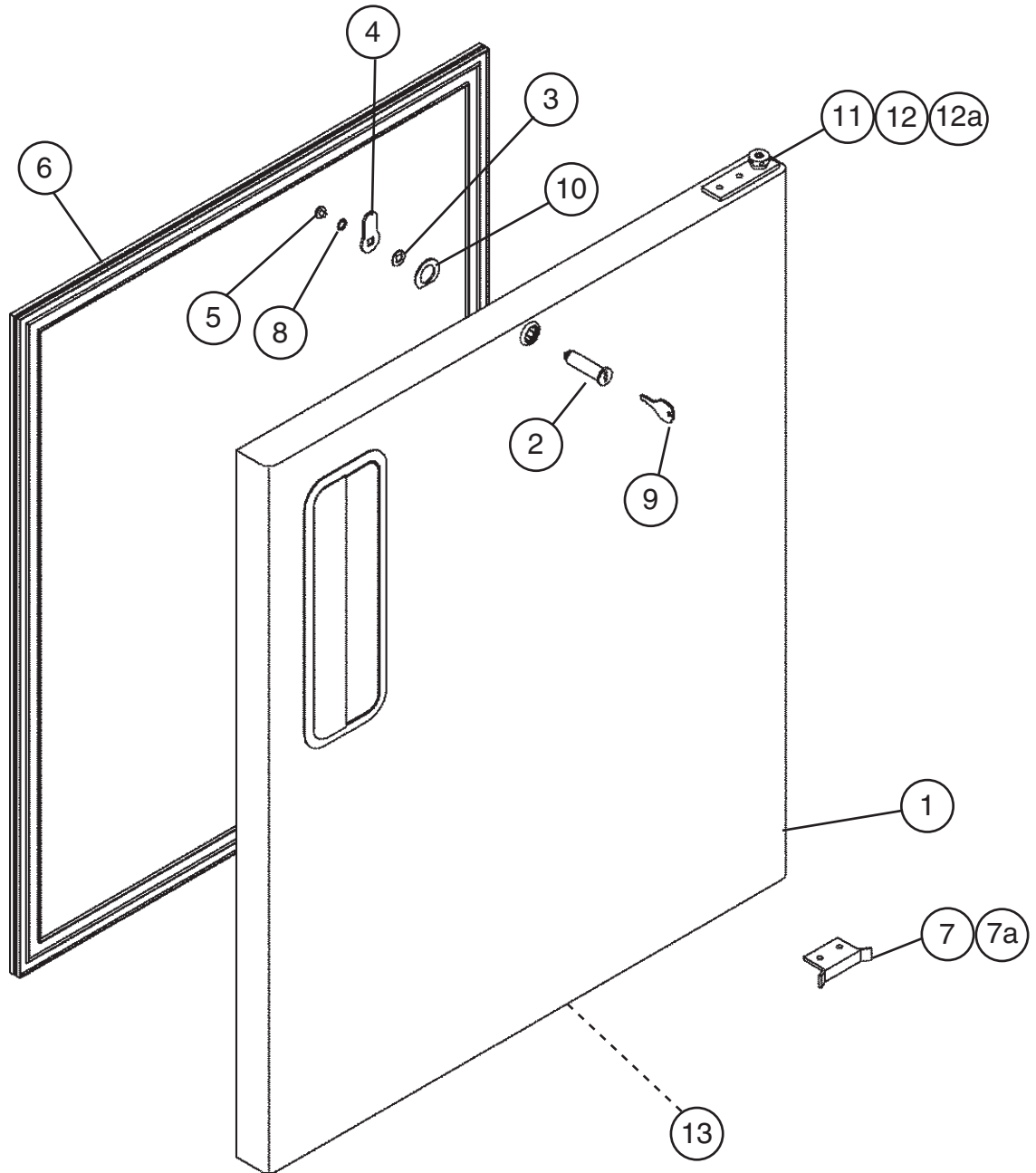
H-0, J-0, J-1, J-2, K-0, K-1, L-5, M-6, M-7, N-6, P-6, Q-5, R-5, S-5, S-6



| Title: N. Door-Half (UR) Model: FH1-SSB-HD | | | | | | | | | | |
|--|--|-----------------------------|-------------|-----------------|------------|------------|--|--|--|--|
| Index No. | Description | Material or Model Number | Part Number | Required Number | | | | | | |
| | | | | H-0 | J-0 to K-1 | L-5 to S-6 | | | | |
| 1 | Door-Prefoam (UR) | - | 1A0325G01 | 1 | 1 | - | | | | |
| | | | 1A0325G03 | | | 1 | | | | |
| 2 | Lock-Tumbler | M4-5813-001 | 4A0462-01 | 1 | 1 | 1 | | | | |
| 3 | Lock-Stop Washer | M5-8060-103 | 4A0458-01 | 1 | 1 | 1 | | | | |
| 4 | Cam-Door Lock | SS | 4A0228-01 | 1 | 1 | 1 | | | | |
| 5 | Lock-Screw | SS | 4A0461-01 | 1 | 1 | 1 | | | | |
| 6 | Gasket-Door (Half) | JARROW #P-2209 244A GRAY | 3A0273-02 | 1 | 1 | 1 | | | | |
| 7 | Stop-Door | SS | 4A0351-01 | 1 | 1 | - | | | | |
| 7a | Screw-Countersunk | 5x20, SS | 7C42-0520 | 2 | - | | | | | |
| | Truss Head Screw | 5x20, SS | 7C32-0520 | | 2 | - | | | | |
| 8 | Lock-Washer | SS | 4A0459-01 | 1 | 1 | 1 | | | | |
| 9 | Lock-Key | M5-0680-111 | 4A0460-01 | 1 | 1 | 1 | | | | |
| 10 | Washer-Door Lock | SS | 4A0670-01 | 1 | 1 | 1 | | | | |
| 11 | Hinge-Spring (R) (Included in item 12: 4A0438-01) | Black | 4A3312-01 | 1 | 1 | 1 | | | | |
| 12 | Hinge-Spring Cart (R) (Included in item 1: 1A0325G01, 1A0325G03) | - | 4A0438-01 | 1 | 1 | 1 | | | | |
| 12a | Countersunk Screw (Included in item 1: 1A0325G01, 1A0325G03) | 5x20, SS | 7C42-0520 | 2 | 2 | 2 | | | | |
| 13 | Locking Hole Plug | DP-1093 | 4A0586-02 | 1 | - | | | | | |
| | | | 4A0586-03 | | 1 | - | | | | |
| | | | 4A0586-06 | | | 1 | | | | |

P. Door-Half (LR)
FH1-SSB-HD

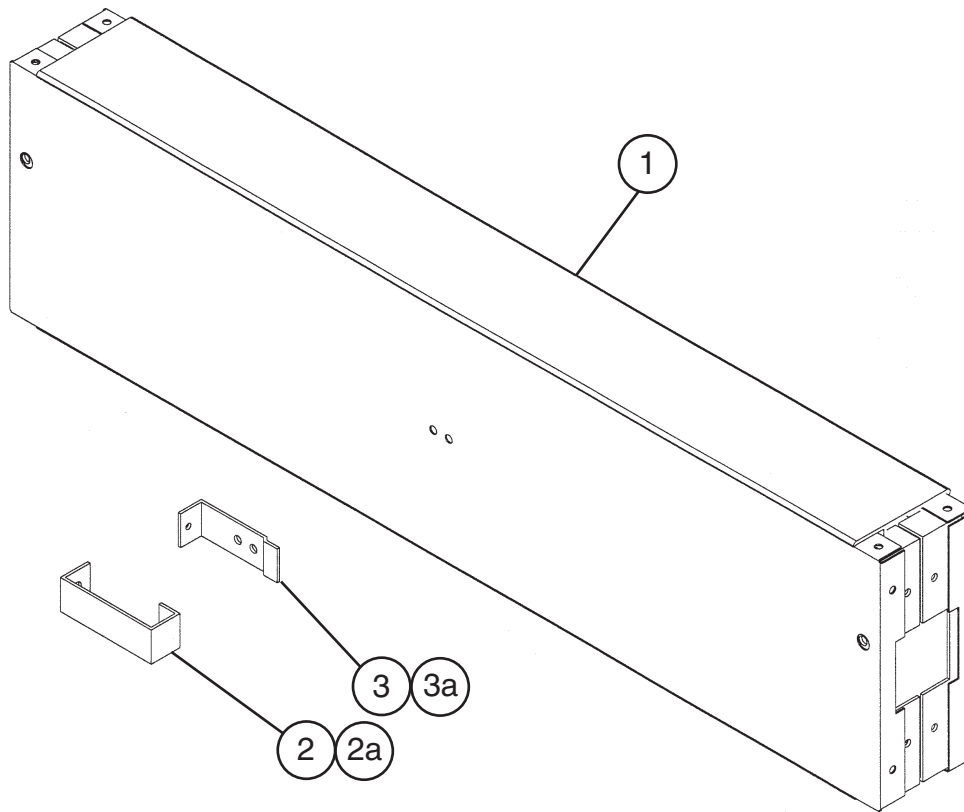
H-0, J-0, J-1, J-2, K-0, K-1, L-5, M-6, M-7, N-6, P-6, Q-5, R-5, S-5, S-6



| Title: P. Door-Half (LR) Model: FH1-SSB-HD | | | | | | | | | | | |
|--|--|-----------------------------|-------------|-----------------|------------|------------|--|--|--|--|--|
| Index No. | Description | Material or Model Number | Part Number | Required Number | | | | | | | |
| | | | | H-0 | J-0 to K-1 | L-5 to S-6 | | | | | |
| 1 | Door-Prefoam (LR) | - | 1A0323G01 | 1 | 1 | - | | | | | |
| | | | 1A0323G03 | | | 1 | | | | | |
| 2 | Lock-Tumbler | M4-5813-001 | 4A0462-01 | 1 | 1 | 1 | | | | | |
| 3 | Lock-Stop Washer | M5-8060-103 | 4A0458-01 | 1 | 1 | 1 | | | | | |
| 4 | Cam-Door Lock | SS | 4A0228-01 | 1 | 1 | 1 | | | | | |
| 5 | Lock-Screw | SS | 4A0461-01 | 1 | 1 | 1 | | | | | |
| 6 | Gasket-Door (Half) | JARROW #P-2209 244A GRAY | 3A0273-02 | 1 | 1 | 1 | | | | | |
| 7 | Stop-Door | SS | 4A0351-01 | 1 | 1 | - | | | | | |
| 7a | Screw-Countersunk | 5x20, SS | 7C42-0520 | 2 | - | | | | | | |
| | Truss Head Screw | 5x20, SS | 7C32-0520 | | 2 | - | | | | | |
| 8 | Lock-Washer | SS | 4A0459-01 | 1 | 1 | 1 | | | | | |
| 9 | Lock-Key | M5-0680-111 | 4A0460-01 | 1 | 1 | 1 | | | | | |
| 10 | Washer-Door Lock | SS | 4A0670-01 | 1 | 1 | 1 | | | | | |
| 11 | Hinge-Spring (R) (Included in item 12: 4A0438-01) | Black | 4A3312-01 | 1 | 1 | 1 | | | | | |
| 12 | Hinge-Spring Cart (R) (Included in item 1: 1A0323G01, 1A0323G03) | - | 4A0438-01 | 1 | 1 | 1 | | | | | |
| 12a | Countersunk Screw (Included in item 1: 1A0323G01, 1A0323G03) | 5x20, SS | 7C42-0520 | 2 | 2 | 2 | | | | | |
| 13 | Locking Hole Plug | DP-1093 | 4A0586-02 | 1 | - | | | | | | |
| | | | 4A0586-03 | | 1 | - | | | | | |
| | | | 4A0586-06 | | | 1 | | | | | |

Q. Mullion-Horizontal FH1-SSB-HD

H-0, J-0, J-1, J-2, K-0, K-1, L-5, M-6, M-7, N-6, P-6, Q-5, R-5, S-5, S-6

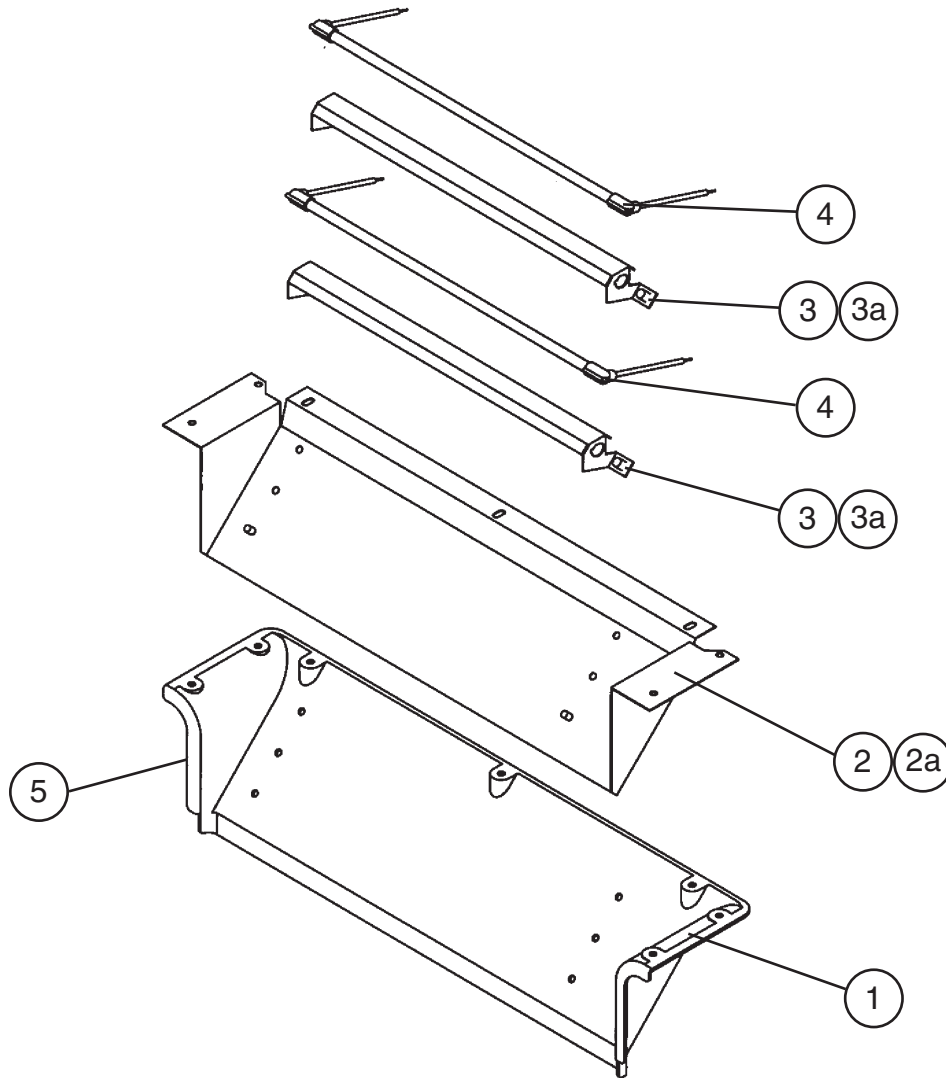


| Title: Q. Mullion-Horizontal Model: FH1-SSB-HD | | | | | | | | | | | |
|--|----------------------|--------------------------|-------------|-----------------|------------------|------------|------------------|--|--|--|--|
| Index No. | Description | Material or Model Number | Part Number | Required Number | | | | | | | |
| | | | | H-0 J-0 | J-1 to K-1 | L-5 M-6 | M-7 to S-6 | | | | |
| 1 | Mullion-Prefoam (H) | Non-Heated | 2A1313G01 | 1 | 1 | - | | | | | |
| | | Heated | 2A1313G04 | | | 1 | 1 | | | | |
| 2 | Plate-Strike (Front) | SS | 4A0355-01 | 1 | 1 | 1 | 1 | | | | |
| 2a | Truss Head Screw | 4x6, SS | 7C32-0406 | 1 | - | | | | | | |
| | T2 Screw | 4x8, SS | 7P32-0408 | | 1 | 1 | - | | | | |
| | Truss Head Screw | 4x8, SS | 7C32-0408 | | | | 1 | | | | |
| 3 | Plate-Strike (Base) | SS | 4A0354-01 | 1 | 1 | 1 | 1 | | | | |
| 3a | T2 Screw | 4x8, SS | 7P32-0408 | 2 | 2 | 2 | 2 | | | | |

R. Distributor-Air Top Assembly

FH1-SSB(-HD)

H-0, J-0, J-1, J-2, K-0, K-1, L-5, M-5, M-6, M-7, N-5, N-6, P-5, P-6, P-7, Q-5, R-5, S-5, S-6



| Title: R. Distributor-Air Top Assembly Model: FH1-SSB(-HD) | | | | | | | | | | |
|--|-----------------------|--------------------------|-------------|-----------------|-----|------------|--|--|--|--|
| Index No. | Description | Material or Model Number | Part Number | Required Number | | | | | | |
| | | | | H-0 to P-5 | P-6 | P-7 to S-6 | | | | |
| 1 | Distributor-Air (Top) | ABS | 2A0610-01 | 1 | - | | | | | |
| | | | 2A0610-03 | | 1 | - | | | | |
| | | | 2A0610-04 | | | 1 | | | | |
| 2 | Shield-Duct | SS | 2A3085-01 | | 1 | - | | | | |
| | | | 2A3392-01 | | | 1 | | | | |
| 2a | Truss Head Screw | 5×12, SS | 7C32-0512 | | 2 | 2 | | | | |
| 3 | Bracket-Heater Supply | - | 3A3096G01 | | 2 | 2 | | | | |
| 3a | Truss Head Screw | 5×12, SS | 7C32-0512 | | 4 | 4 | | | | |
| 4 | Heater-Glass Tube | - | 3A2335-02 | | 2 | 2 | | | | |
| 5 | Gasket | L=1200 | 4A0808L02 | 1 | 1 | 1 | | | | |

S. Accessories & Packaging

FH1-SSB(-HD)

H-0, J-0, J-1, J-2, K-0, K-1, L-5, M-5, M-6, M-7, N-5, N-6, P-5, P-6, P-7, Q-5, R-5, S-5, S-6

| Title: S. Accessories & Packaging Model: FH1-SSB(-HD) | | | | | | | | | | | | |
|---|--|--------------------------|-------------|-----------------|--|--|--|--|--|--|--|--|
| Index No. | Description | Material or Model Number | Part Number | Required Number | | | | | | | | |
| | | | | H-0 to S-6 | | | | | | | | |
| 1 | Instruction Manual | - | 91A34010N | 1 | | | | | | | | |
| 2 | Shelf (3 pack) | HS-3508 | 3A1416A03 | 1 | | | | | | | | |
| 3 | Legs (Box of 4) | HS-3512 | 4A0930-01 | 1 | | | | | | | | |
| - | Packaging (Available only for models currently in production.) | | | | | | | | | | | |
| | FH1-SSB | - | 1A1102A07 | 1 | | | | | | | | |
| | FH1-SSB-HD | - | 1A1102A08 | 1 | | | | | | | | |

Free Manuals Download Website

<http://myh66.com>

<http://usermanuals.us>

<http://www.somanuals.com>

<http://www.4manuals.cc>

<http://www.manual-lib.com>

<http://www.404manual.com>

<http://www.luxmanual.com>

<http://aubethermostatmanual.com>

Golf course search by state

<http://golfingnear.com>

Email search by domain

<http://emailbydomain.com>

Auto manuals search

<http://auto.somanuals.com>

TV manuals search

<http://tv.somanuals.com>