

Hoshizaki America, Inc.

Commercial Refrigerator Roll-In Series

Model
RIR1-SSB



“A Superior Degree
of Reliability”

www.hoshizaki.com

PARTS LIST



Number: 71295
Issued: 1-19-2009

CONTENTS

Auxiliary Codes.....	3
Note About Ordering Parts	3
Material Abbreviations.....	4
A. Roll-In Assembly	5
B. Refrigeration Circuit	7
C. Control Box Assembly.....	11
D. Control Panel Group	12
E. Light Group	13
F. Upper Panel Group	14
G. Interior Group.....	16
H. Door-Right.....	17
J. Evaporator Assembly.....	19
K. Evaporator Fan Assembly.....	20
L. Condenser Assembly	21
M. Common Control Box	23
N. Door Subassembly-Right.....	25
P. Accessories & Packaging.....	26

Auxiliary Codes

RIR1-SSB T-5 June 2008
U-5 January 2009

Auxiliary Code Breakdown

The auxiliary code is the first two characters in the serial number. The first character indicates the year. Years progress or regress in alphabetical order. The series runs from "A" through "V" and the letters "I" and "O" are skipped. The second character indicates significant part changes within a year. Base is "5" and this number advances for each change.

Note About Ordering Parts

Most assemblies cannot be ordered as complete units; parts in the assemblies generally must be ordered separately.

Material Abbreviations

ALUMINUM

AL = Aluminum

COPPER

CU = Copper

PLASTIC

ABS = Acrylonitrile -butadiene - styrene
AC = Polyacetal
EVA = Ethylene vinyl acetate
PA = Polyamide = Nylon
PC = Polycarbonate
PE = Polyethylene
PES = Polyester
PETP = Polyethylene terephthalate = Tetlon
PP = Polypropylene
PS = Polystyrene
PTFE = Polytetrafluoroethylene = Teflon
PUR = Polyurethane
PVC = Polyvinyl chloride

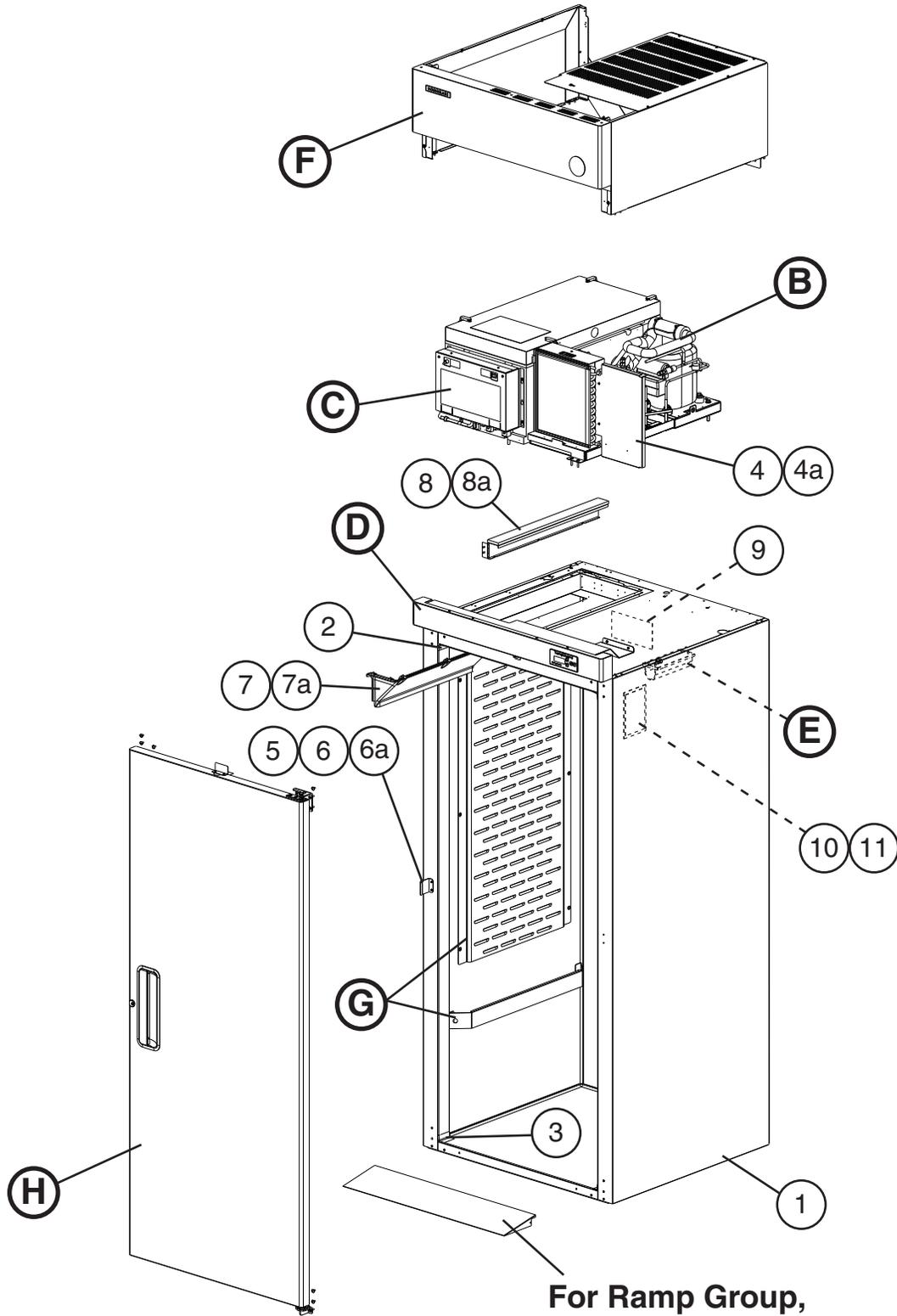
RUBBER

VN = Vinyl Nitrile
EPDM = EP rubber
NBR = Nitrile butadiene rubber
NR = Natural rubber
NP = Neoprene
SI.R = Silicone rubber
SY.R = Synthetic rubber
EPH = Epichlorohydrin

STEEL

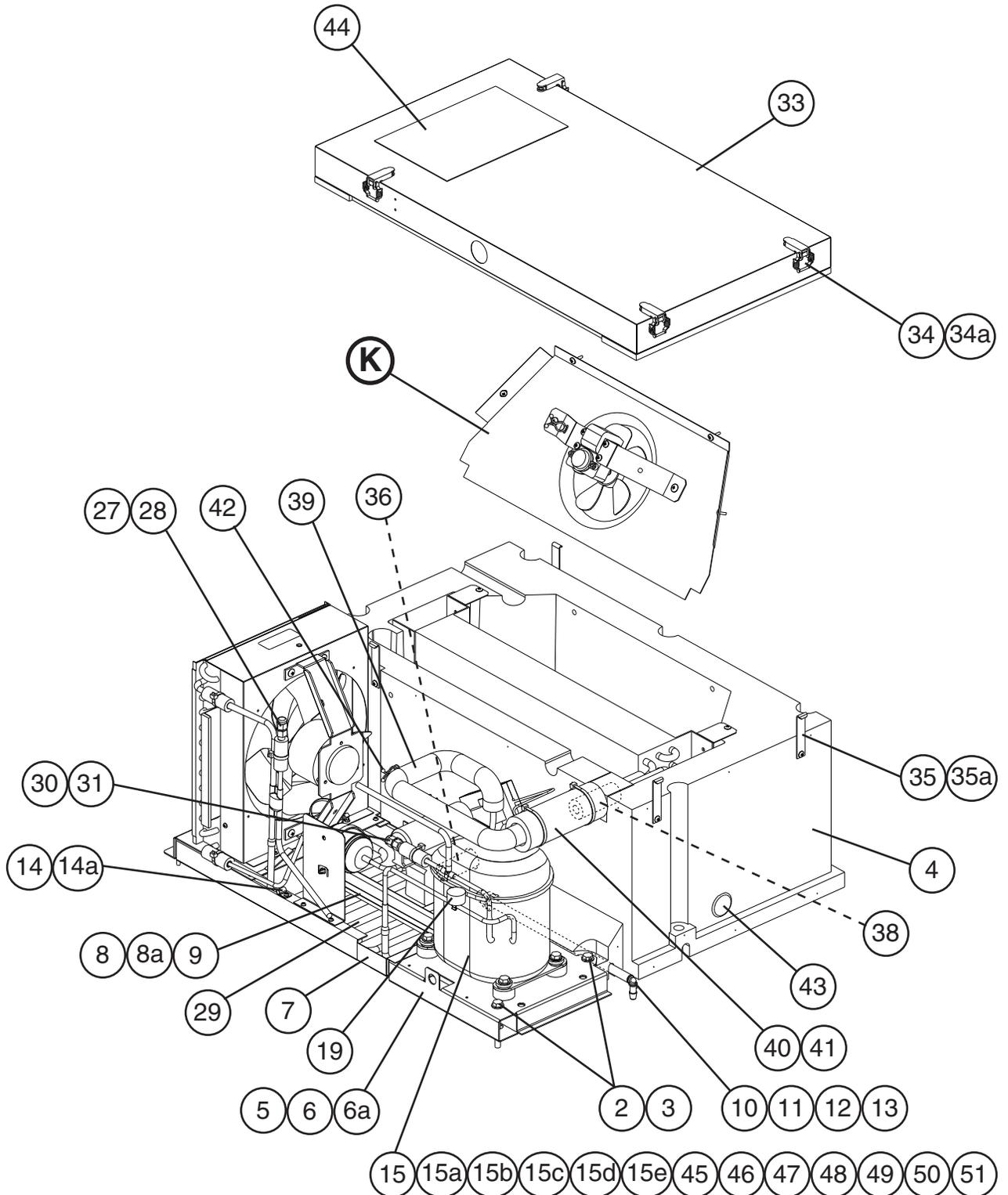
GS = Galvanized steel
SS = Stainless steel
PS = Plated steel
PAS = Primed steel

A. Roll-In Assembly
RIR1-SSB
T-5, U-5



Title: A. Roll-In Assembly Model: RIR1-SSB												
Index No.	Description	Material or Model Number	Part Number	Required Number								
				T-5	U-5							
B	Refrigeration Circuit (For mounting hardware, see section "B" items 1 through 3)		1A1413A01	1								
C	Control Box Assembly (For mounting hardware, see section "M" item 1)		2A4381A01	1								
D	Control Panel Group (For mounting hardware, see section "D" item 1)		3A4709A01	1								
E	Light Group (For mounting hardware, see section "E" item 1a)		3A4735A01	1								
F	Upper Panel Group (For mounting hardware, see section "F" item 1)		2A4492A01	1								
G	Interior Group		2A4486A01	1								
H	Door-Right (For mounting hardware, see section "H" item 1)		2A4759A01	1								
1	Body		1A1490G01	1								
2	Corner Cover		3A1751-01	2								
3	Corner Cover-Shaved		3A4731G01	2								
4	Block-Air	GS	3A4730-01	1								
4a	T2 Screw	4x8, SS	7P32-0408	2								
5	Strike Group (includes items 6 and 6a)		4A4432A01	1								
6	Strike Plate		4A4590-01	1								
6a	T2 Screw	4x8, SS	7P32-0408	2								
7	Upper Air Distributor Group (includes item 7a)		3A4526A01	1								
7a	T2 Screw	4x8, SS	7P32-0408	7								
8	Air Divider Group (includes item 8a)		3A4164A01	1								
8a	T2 Screw	4x8, SS	7P32-0408	4								
9	Caution Label		4A1931-01	1								
10	Nameplate		2A4523-01	1								
11	Cover-Nameplate		4A3727-01	1								

B. Refrigeration Circuit
1/2
RIR1-SSB
 T-5, U-5

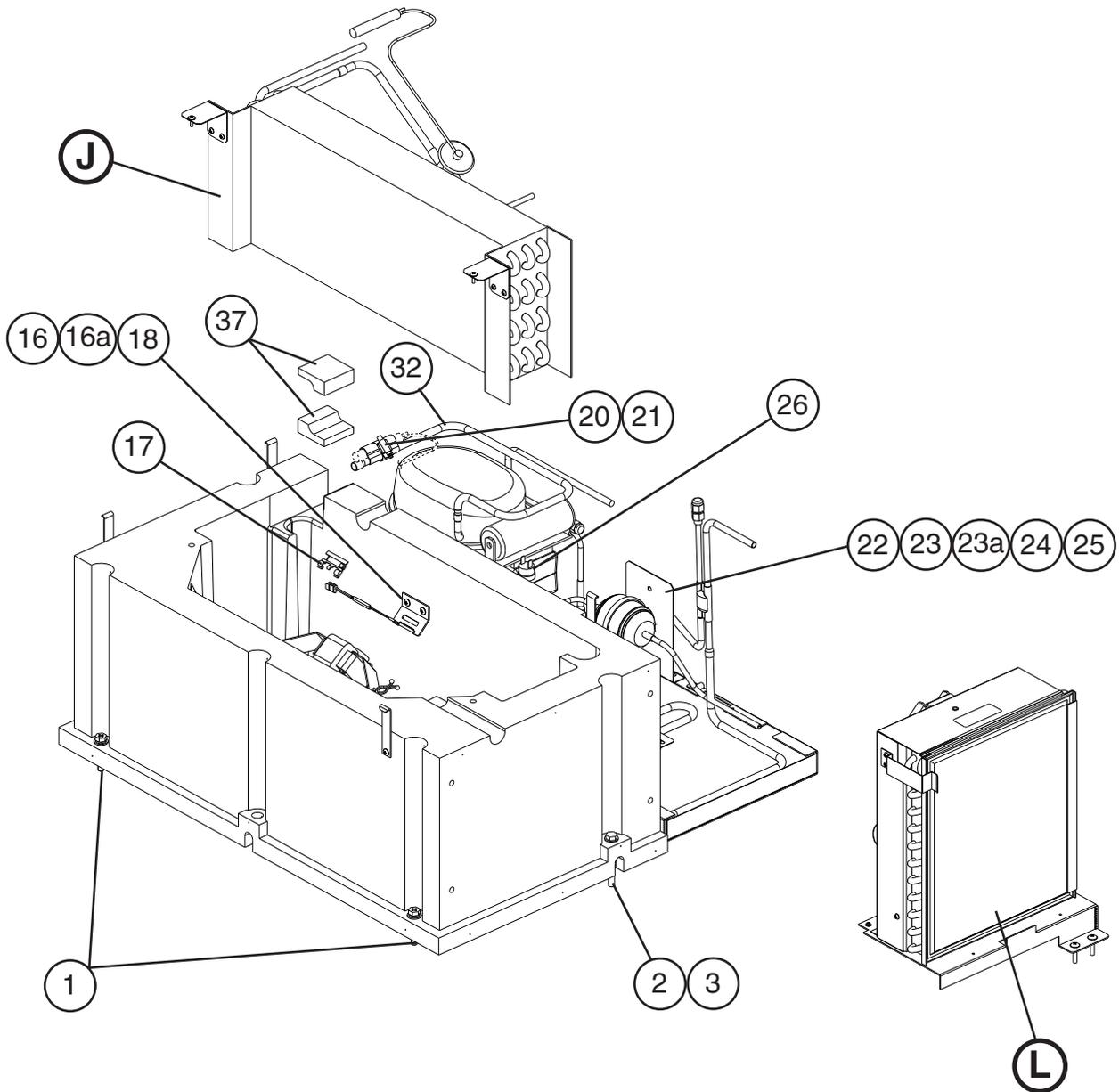


B. Refrigeration Circuit

2/2

RIR1-SSB

T-5, U-5



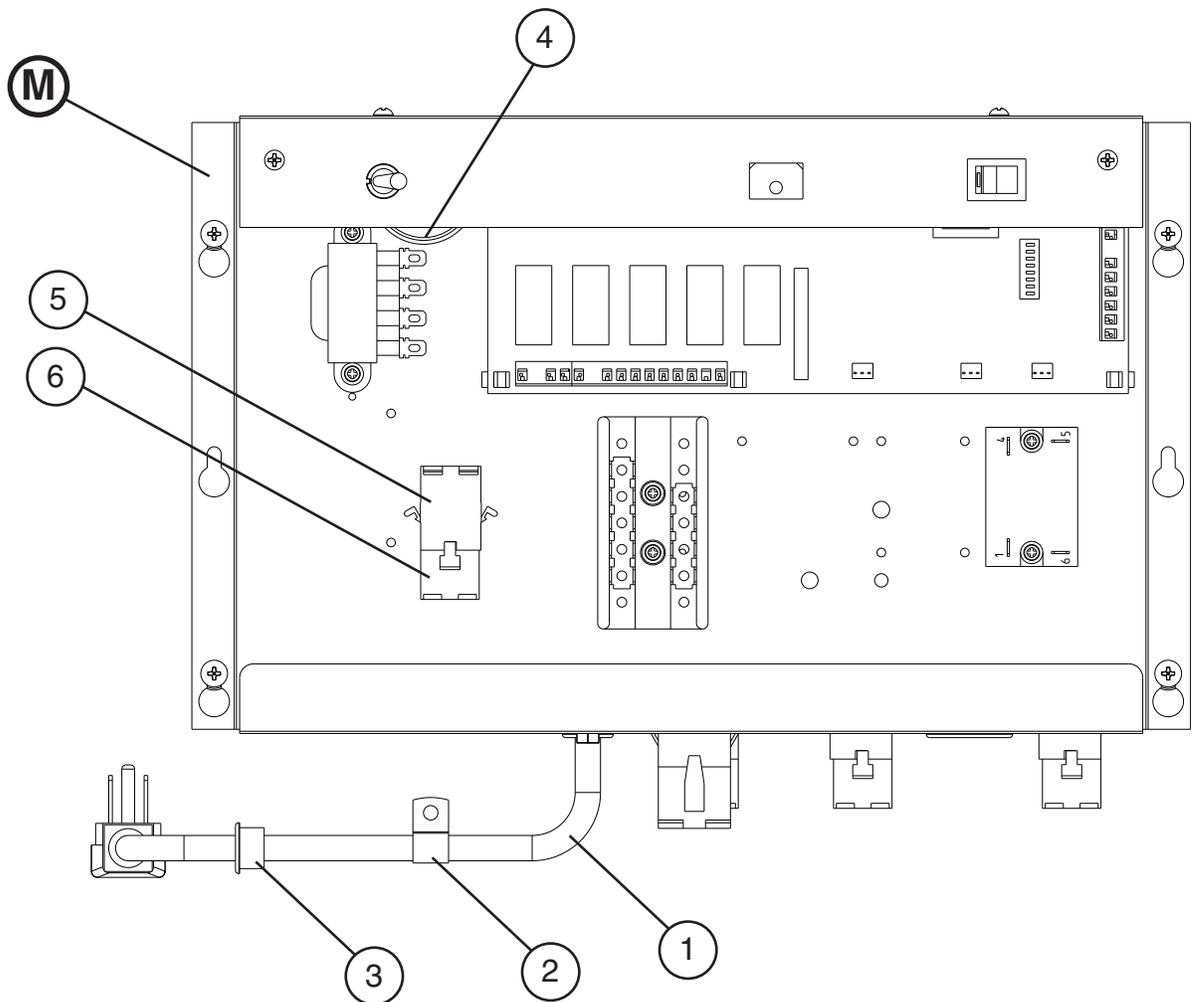
Title: B. Refrigeration Circuit Model: RIR1-SSB												
Index No.	Description	Material or Model Number	Part Number	Required Number								
				T-5	U-5							
J	Evaporator Assembly (includes expansion valve) (For mounting hardware, see section "J" item 1)		2A4375A01	1								
K	Evaporator Fan Assembly (For mounting hardware, see section "K" item 1)		2A4369A01	1								
L	Condenser Assembly (For mounting hardware, see section "L" item 1)		3A4590A01	1								
1	Hex Head Bolt w/Washer	8x45	437889-01	2								
2	Hex Head Bolt	8x70	7B01-0870	3								
3	Flat Washer	M8	7W21-0800	3								
4	Evaporator Case		1A1412G01	1								
5	Compressor Base Assembly (includes items 6 through 14a)		2A4365A01	1								
6	Compressor Base		2A2756G01	1								
6a	Truss Head Screw	4x16, SS	7C32-0416	1								
7	Evaporator Drain Pan		2A2760-01	1								
8	Strap-Condensate Coil		3A0232-03	1								
8a	Truss Head Screw	5x12, SS	7C32-0512	1								
9	Gasket-Condenser Coil		4A0455-03	1								
10	Fitting-Drain Overflow		4A2182-01	1								
11	Rubber Gasket		413854-03	1								
12	Silicone Hose	L=300mm	773013812	1								
13	Elbow-Tubing		4A0711-01	1								
14	Wire Clamp		4A0809-01	1								
14a	T2 Screw	4x8, SS	7P32-0408	1								
15	Compressor (includes items 45 through 49)	AEA9415ZXA	2A1260-01	1								
15a	Hex Head Bolt	8x45	7B01-0845	4								
15b	Split Lock Washer	M8	7L21-0800	4								
15c	Flat Washer	M8	7W21-0800	4								
15d	Grommet		4A1305-01	4								
15e	Sleeve-Grommet		4A0449-01	4								
16	Thermistor Bracket (cabinet)		433964-01	1								
16a	Truss Head Screw	4x16, SS	7C32-0416	2								
17	Thermistor Bracket (cabinet)		433920-01	1								
18	Thermistor-Cabinet		4A1429-01	1								
19	Thermostat-Clogged Filter		4A0484-01	1								
20	Holder-Expansion Valve		3A0107-01	1								
21	Clamp		443461-01	1								
22	Condenser-Drier Assembly (includes items 23 through 26)		2A4370G01	1								
23	Bracket-Drier		4A4282-01	1								
23a	T2 Screw	4x8, SS	7P32-0408	2								
24	Drier		4A0924-01	1								
25	Nylon Tie		8911-0301	1								
26	Pressure Switch		4A2516-02	1								

Title: B. Refrigeration Circuit Model: RIR1-SSB												
Index No.	Description	Material or Model Number	Part Number	Required Number								
				T-5	U-5							
27	Compressor-Condenser Assembly (includes items 28 and 29)		2A1259G01	1								
28	Access Valve		457729-01	1								
29	Coil-Condensate		3A1644-01	1								
30	Process Tube Assembly (includes item 31)		3A1086G01	1								
31	Access Valve		457729-01	1								
32	Tube-Suction		3A1088-01	1								
33	Evaporator Case Cover (includes items 34 and 34a)		2A4376G01	1								
34	Draw-Latch		4A3988-01	4								
34a	T2 Screw	4x8, SS	7P32-0408	8								
35	Catch-Latch	GS	4A3987-01	4								
35a	Truss Head Screw	4x16, SS	7C32-0416	4								
36	Pipe-Evaporator Drain		4A0831-01	1								
37	Seal-Evaporator Tubing		4A3089-01	2								
38	Insulation Tubing	L=75	7762-1330	1								
39	Insulation Tubing	L=590	7762-1330	1								
40	Insulation Tubing	L=150	7762-3555	1								
41	Nylon Ties		8911-0200	2								
42	Wire Tie Twist		4A1223-01	2								
43	Locking Hole Plug		4A0586-02	1								
44	Wiring Label		2A2346-01	1								
45	Start Capacitor		3A4044-01	1								
46	Start Relay		3A4044-12	1								
47	Protector		4A1875-02	1								
48	Cover		3A4044-05	1								
49	Bale Strap-Cover		4A0927-01	1								

C. Control Box Assembly

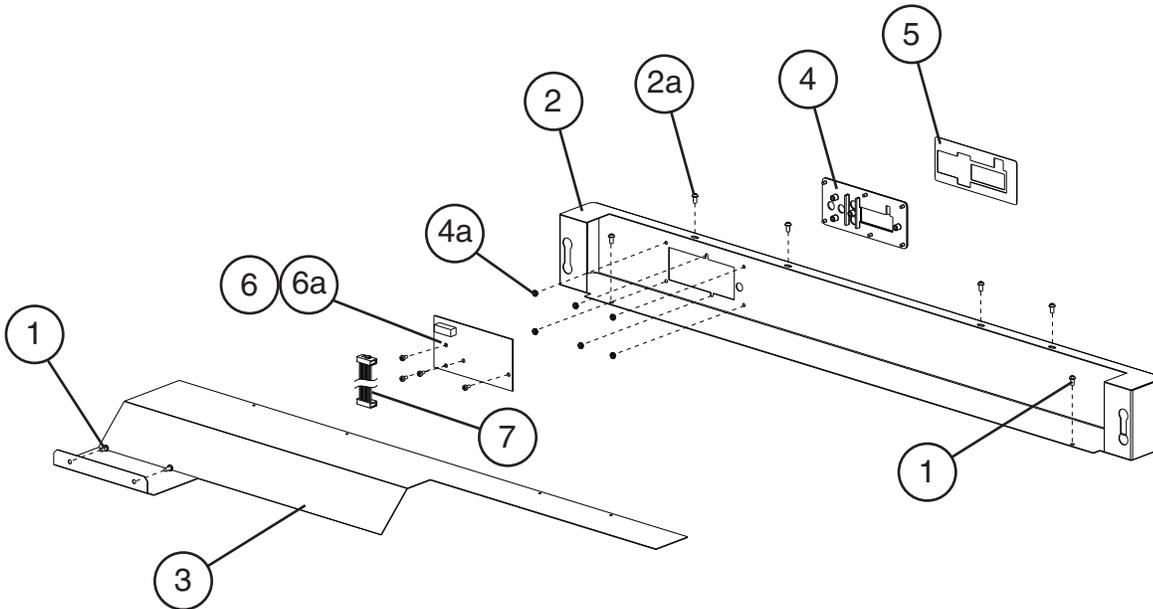
RIR1-SSB

T-5, U-5



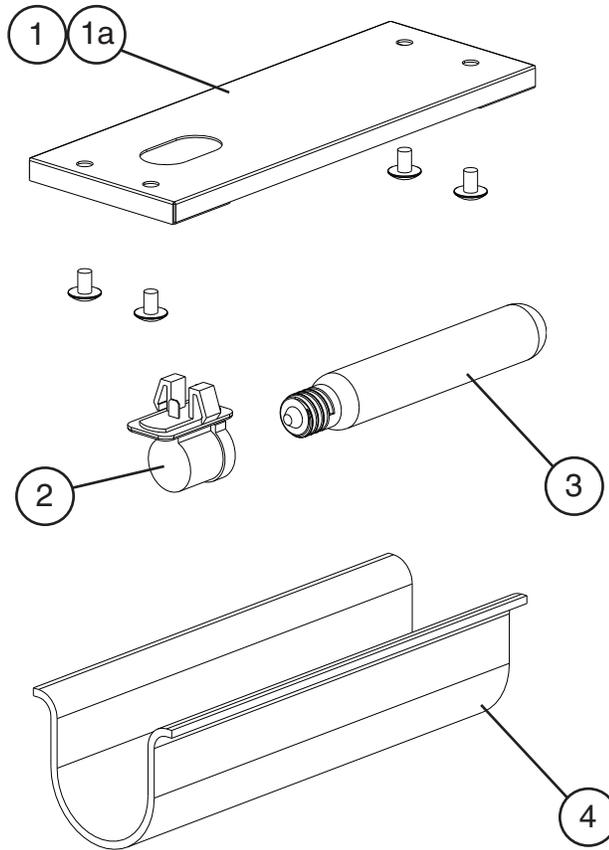
Title: C. Control Box Assembly		Model: RIR1-SSB		Required Number										
Index No.	Description	Material or Model Number	Part Number	T-5										
				U-5										
M	Common Control Box		2A4379A01	1										
1	Power Supply Cord		4A0520-01	1										
2	Wire Clamp		4A0809-03	1										
3	Bushing		420470-01	1										
4	Bushing		420470-06	1										
5	Plug Housing 3P		412832-06	1										
6	Receptacle Housing 3P		412831-06	1										

D. Control Panel Group
RIR1-SSB
 T-5, U-5



Title: D. Control Panel Group Model: RIR1-SSB													
Index No.	Description	Material or Model Number	Part Number	Required Number									
				T-5	U-5								
1	T2 Screw	4x8, SS	7P32-0408	4									
2	Panel-Control	SS	2A4494-01	1									
2a	T2 Screw	4x8, SS	7P32-0408	4									
3	Cover-Wire	GS	2A4495-01	1									
4	Mount-Display Board		3A0823-01	1									
4a	Palnut		4A1398-01	6									
5	Display Label		3A2850-01	1									
6	Display Board		2A0883-01	1									
6a	Nylon Screw		4A1397-01	4									
7	Ribbon Cable	L=1219	4A1106-02	1									

E. Light Group
RIR1-SSB
 T-5, U-5

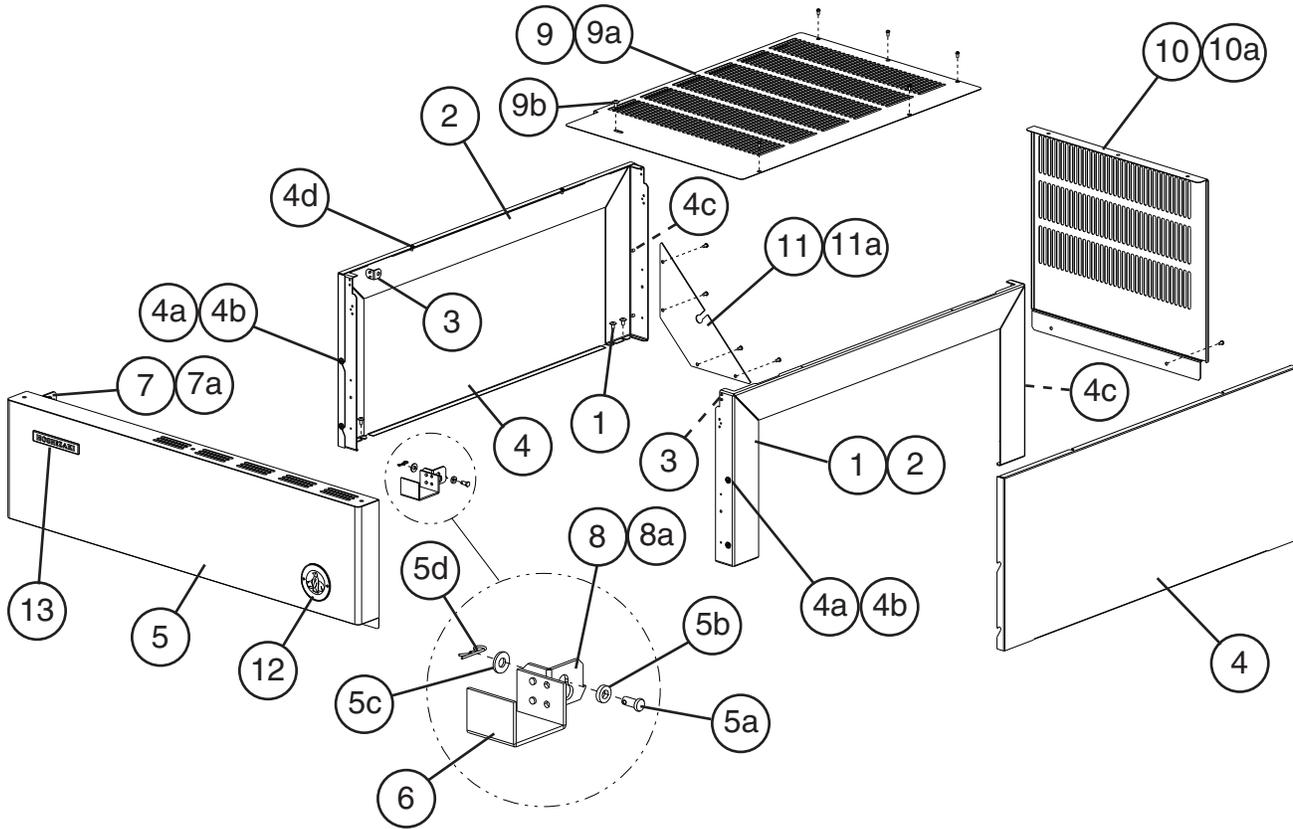


Title: E. Light Group Model: RIR1-SSB													
Index No.	Description	Material or Model Number	Part Number	Required Number									
				T-5	U-5								
1	Plate-Light		3A4732-01	1									
1a	Truss Head Screw	5x8, SS	7C32-0508	4									
2	Light Socket		4A4443-01	1									
3	Light Bulb		4A4444-01	1									
4	Light Cover		3A4733-01	1									

F. Upper Panel Group

RIR1-SSB

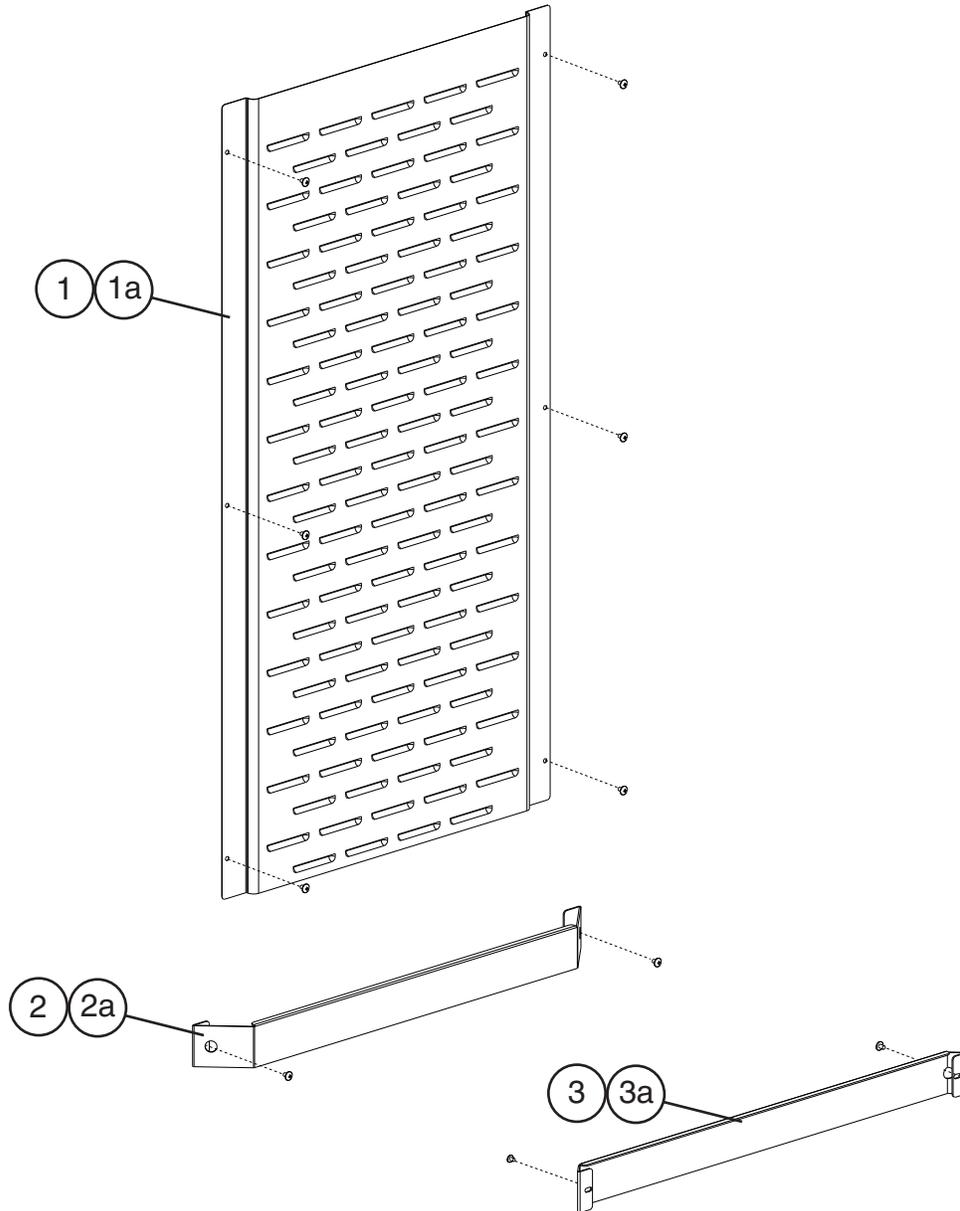
T-5, U-5



Title: F. Upper Panel Group Model: RIR1-SSB																				
Index No.	Description	Material or Model Number	Part Number	Required Number																
				T-5	U-5															
1	Truss Head Screw	5x10, SS	7C32-0510	8																
2	Frame-Side Top	GS	2A4487-01	2																
3	Bracket-Hinge	GS	4A2306-01	2																
4	Panel-Side Top	SS	2A4488-01	2																
4a	Taper Collar	SS	4H0171-01	4																
4b	Countersunk Screw	5x20, SS	7C42-0520	4																
4c	Truss Head Screw	5x8, SS	7C32-0508	4																
4d	T2 Screw	4x8, SS	7P32-0408	2																
5	Panel-Front	SS	1A1482-01	1																
5a	Clevis Pin		8907-0102	2																
5b	Spacer-Hinge		4A2473-01	2																
5c	Flat Washer		4A0655-03	2																
5d	Cotter Pin		8907-0103	2																
6	Channel-Hinge	GS	4A2170-01	2																
7	Hinge-Front Panel (L)	GS	4A2153-01	1																
7a	Truss Head Screw	5x8, SS	7C32-0508	2																
8	Hinge-Front Panel (R)	GS	4A2154-01	1																

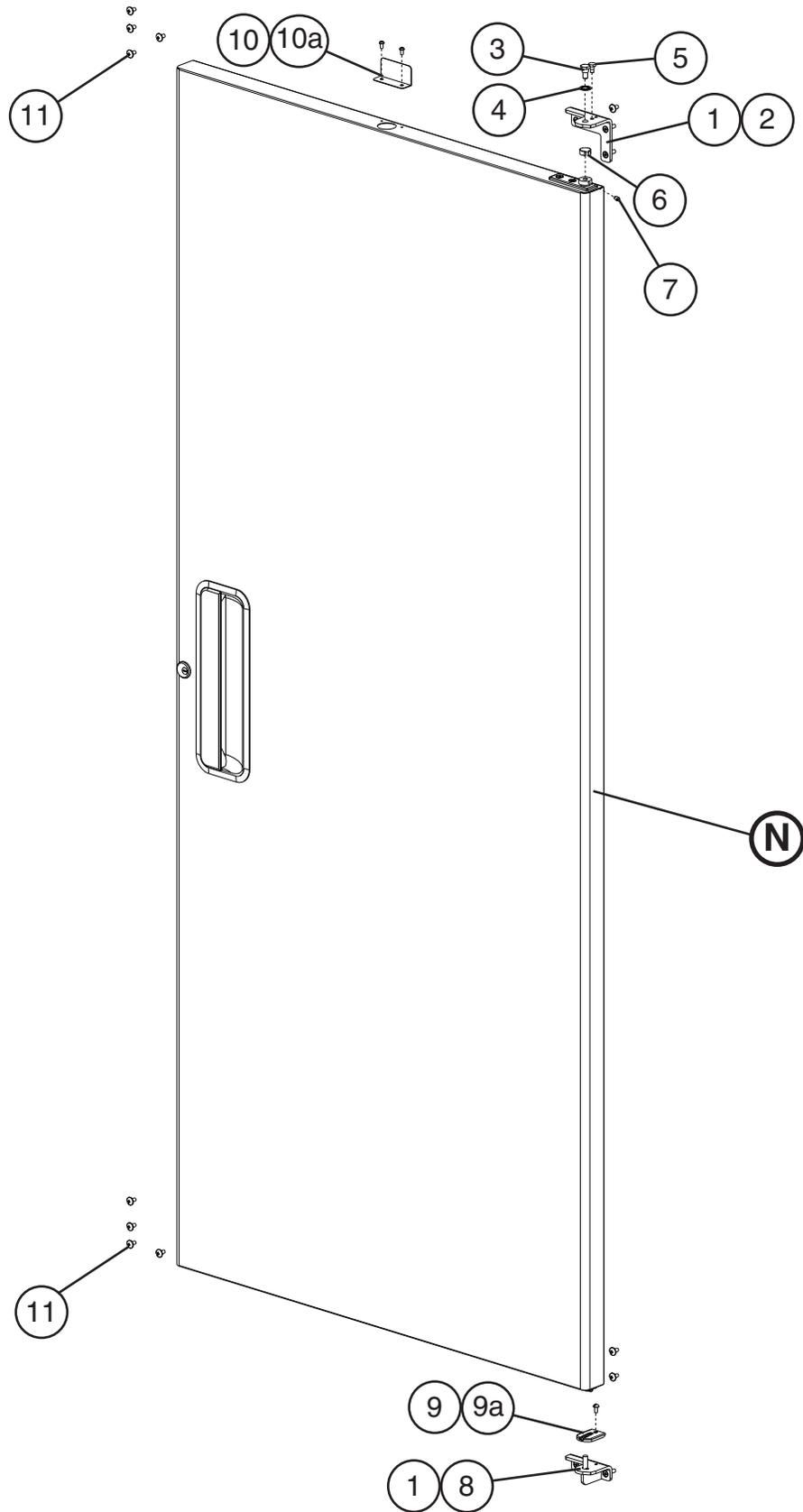
Title: F. Upper Panel Group Model: RIR1-SSB												
Index No.	Description	Material or Model Number	Part Number	Required Number								
				T-5								
8a	Truss Head Screw	5x8, SS	7C32-0508	2								
9	Cover-UL Top	GS	2A4489-01	1								
9a	T2 Screw	4x8, SS	7P32-0408	5								
9b	Truss Head Screw	5x10, SS	7C32-0510	1								
10	Cover-UL Rear	GS	2A4490-01	1								
10a	T2 Screw	4x8, SS	7P32-0408	2								
11	Gusset-Frame	GS	4A3856-01	1								
11a	T2 Screw	4x8, SS	7P32-0408	4								
12	Label-Penguin-HA (L)		4A0526-02	1								
13	Emblem		4A0560-01	1								

G. Interior Group
RIR1-SSB
 T-5, U-5



Title: G. Interior Group Model: RIR1-SSB					Required Number						
Index No.	Description	Material or Model Number	Part Number	T-5							
				U-5							
1	Distributor-Lower Air	SS	2A4485-01	1							
1a	Truss Head Screw	5x8, SS	7C32-0508	6							
2	Guide-Rack (L)	SS	3A4706-01	1							
2a	Truss Head Screw	5x8, SS	7C32-0508	2							
3	Guide-Rack (R)	SS	3A4707-01	1							
3a	Truss Head Screw	5x8, SS	7C32-0508	2							

H. Door-Right
RIR1-SSB
T-5, U-5

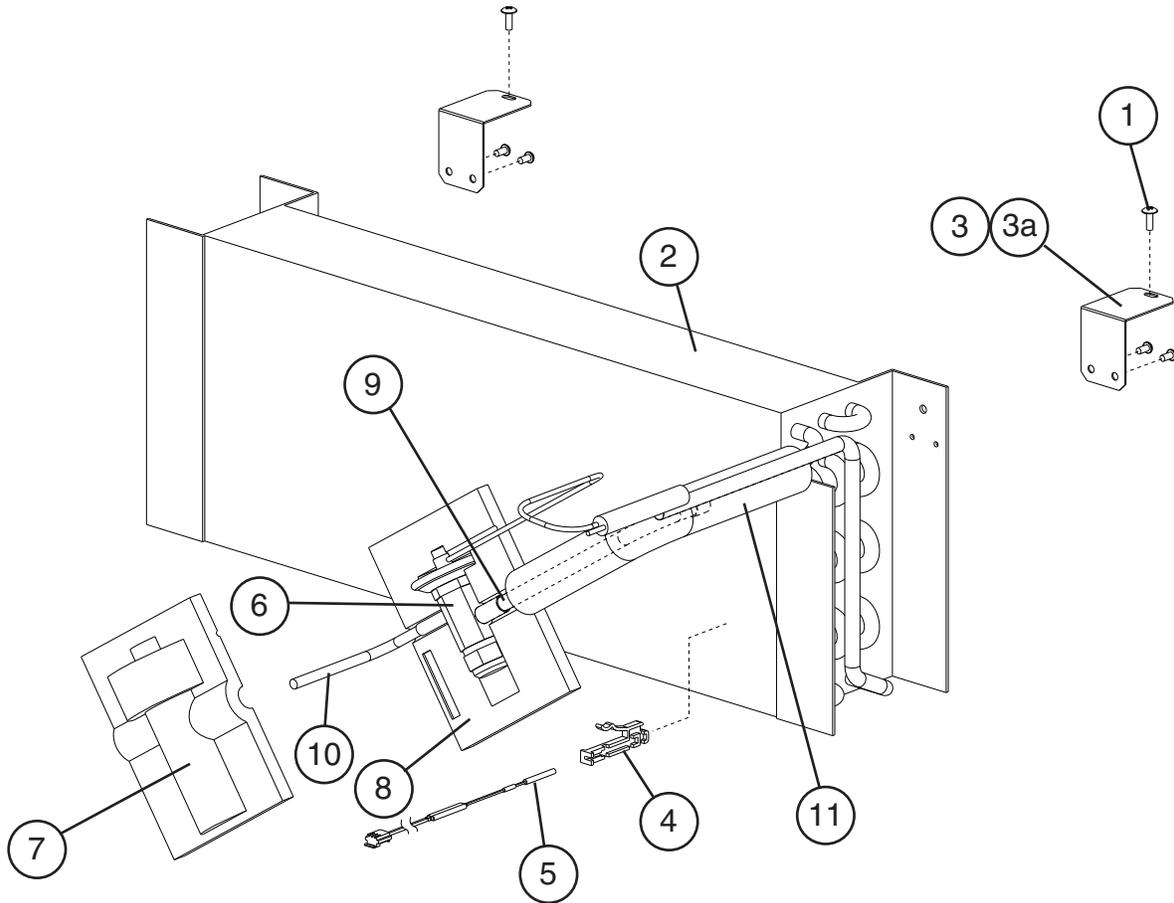


Title: H. Door-Right Model: RIR1-SSB												
Index No.	Description	Material or Model Number	Part Number	Required Number								
				T-5	U-5							
N	Door Subassembly-Right		1A1624G01	1								
1	Countersunk Screw	5x20, SS	7C42-0520	5								
2	Bracket-Door Hinge (UR)		3A1580-01	1								
3	Hinge-Pivot Pin		4A2179-01	1								
4	Hinge-Lock Washer		4A0553-01	1								
5	Hinge-Stop Pin		4A2180-01	1								
6	Hinge-Bushing Cover		4A0445-01	1								
7	Hinge-Tension Screw		4A0446-01	1								
8	Hinge-Door (LR)		3A5132G01	1								
9	Hinge-Bottom Plate Female (R)		4A0441-01	1								
9a	Screw-Stop Plate		4A0483-01	1								
10	Bracket-Door Switch	SS	4A4430-01	1								
10a	T2 Screw	4x8, SS	7P32-0408	2								
11	Truss Head Screw (filler)	5x10, SS	7C32-0510	11								

J. Evaporator Assembly

RIR1-SSB

T-5, U-5

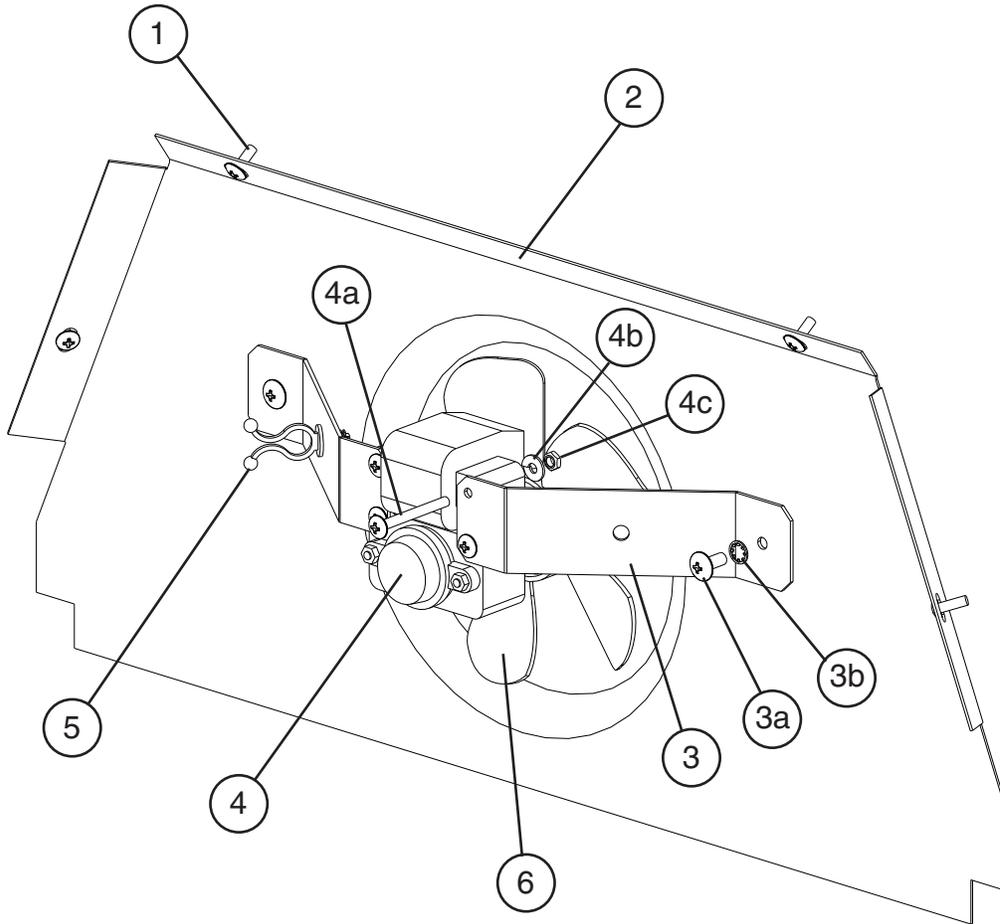


Title: J. Evaporator Assembly Model: RIR1-SSB											
Index No.	Description	Material or Model Number	Part Number	Required Number							
				T-5	U-5						
1	Truss Head Screw	4x12, SS	7C32-0412	2							
2	Evaporator		2A1262-01	1							
3	Bracket-Evaporator	SS	4A2542-01	2							
3a	T2 Screw	4x8, SS	7P32-0408	4							
4	Thermistor Clip		320418-01	1							
5	Thermistor-Defrost	L=2300	4A1428-01	1							
6	Expansion Valve		4A1594-01	1							
7	Expansion Valve Cover (A)		3A0372-01	1							
8	Expansion Valve Cover (B)		3A0372-02	1							
9	Tube-Evaporator Inlet		4A1292-01	1							
10	Tube-Liquid		4A1332-01	1							
11	Insulation Tubing	L=350	7762-1020	1							

K. Evaporator Fan Assembly

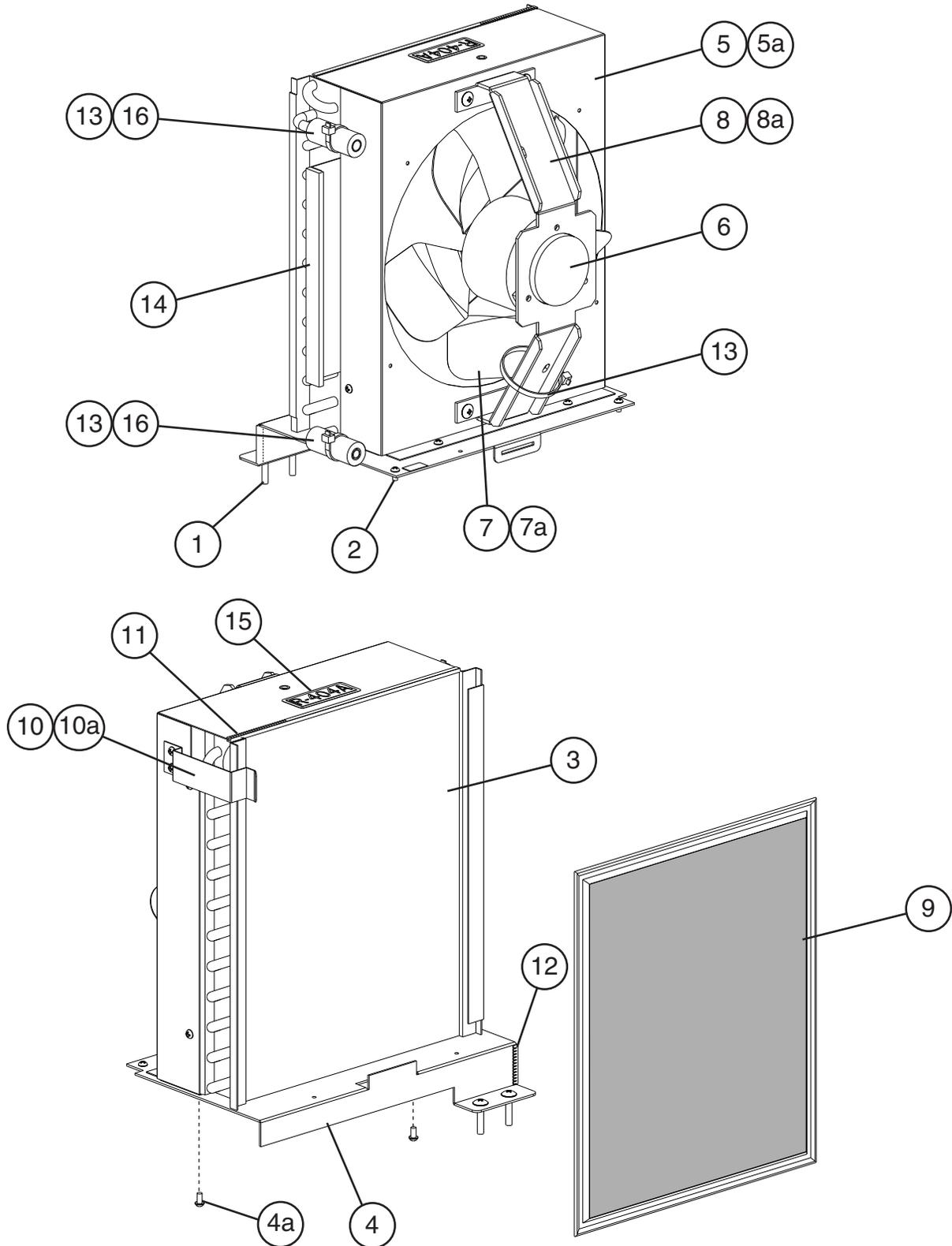
RIR1-SSB

T-5, U-5



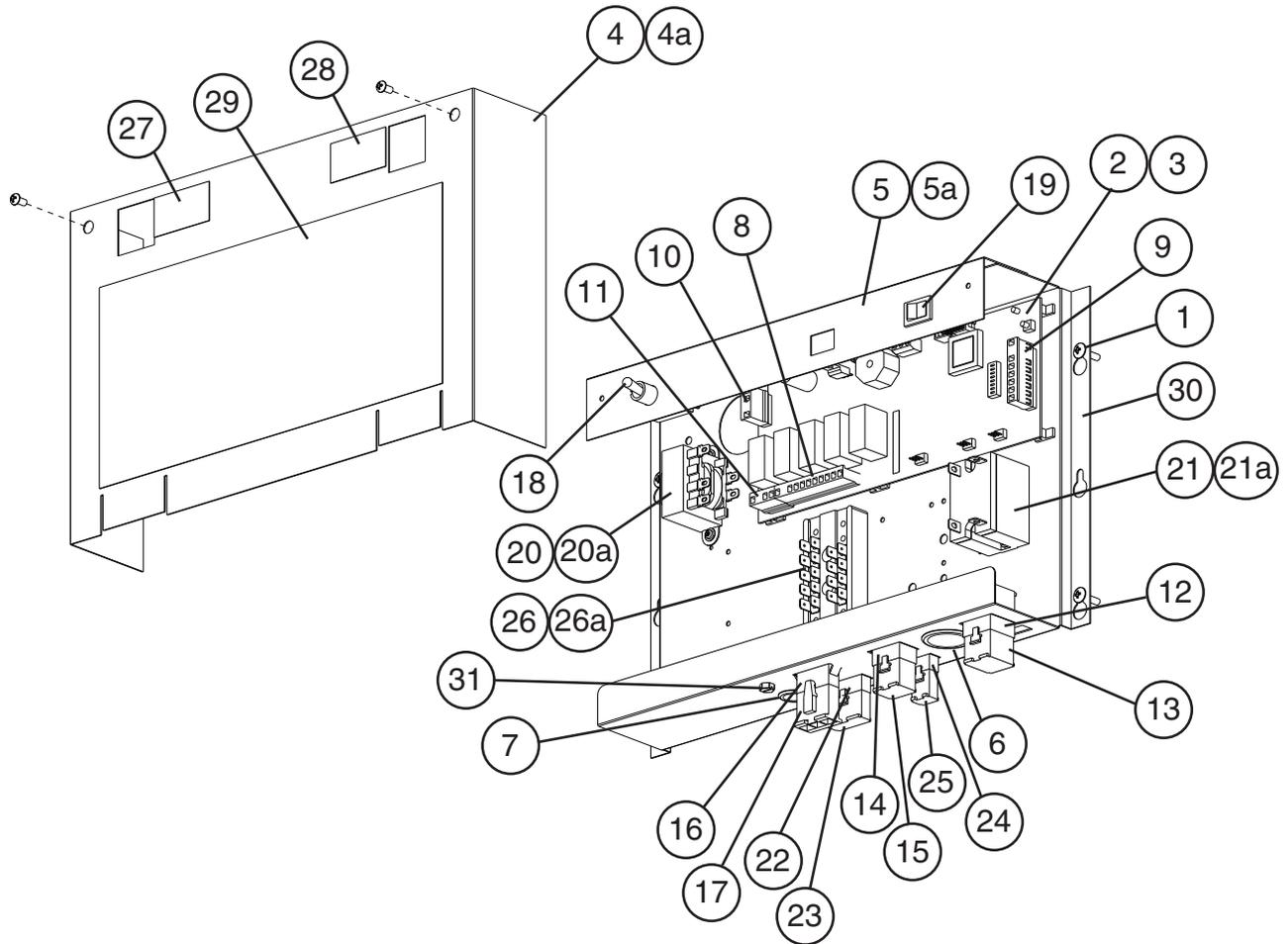
Title: K. Evaporator Fan Assembly Model: RIR1-SSB																		
Index No.	Description	Material or Model Number	Part Number	Required Number														
				T-5	U-5													
1	Truss Head Screw	4x12, SS	7C32-0412	4														
2	Shroud-Evaporator Fan	SS	2A0846-01	1														
3	Bracket-Fan Motor	SS	3A2501-01	2														
3a	Truss Head Screw	5x12, SS	7C32-0512	2														
3b	Lock Washer		4A0459-01	2														
4	Fan Motor (evaporator)		4A2563-01	1														
4a	Truss Head Screw	4x40, SS	7C32-0440	4														
4b	Split Lock Washer	M4, SS	7L22-0400	4														
4c	Hex Nut	M4, SS	7N12-0400	4														
5	Wire Tie		4A1223-01	1														
6	Fan Blade		4A2378-01	1														

L. Condenser Assembly
RIR1-SSB
T-5, U-5



Title: L. Condenser Assembly Model: RIR1-SSB												
Index No.	Description	Material or Model Number	Part Number	Required Number								
				T-5	U-5							
1	Truss Head Screw	5x25, SS	7C32-0525	2								
2	T2 Screw	4x8, SS	7P32-0408	2								
3	Condenser		2A0623-01	1								
4	Base-Condenser	GS	2A2724G01	1								
4a	T2 Screw	4x8, SS	7P32-0408	2								
5	Shroud-Condenser	GS	2A2722-01	1								
5a	T2 Screw	4x8, SS	7P32-0408	6								
6	Fan Motor (mounting screws included)		4A0815-01	1								
7	Fan Blade		3A0436-01	1								
7a	Hex Nut		4A1345-01	1								
8	Bracket-Condenser Fan	GS	3A1564-01	1								
8a	Truss Head Screw	5x12, SS	7C32-0512	4								
9	Air Filter		3A0277-01	1								
10	Retainer-Air Filter	SS	4A0790-01	1								
10a	T2 Screw	4x8, SS	7P32-0408	2								
11	Grommet Strip	L=242	4A1341L01	1								
12	Grommet Strip	L=33	4A1341L01	1								
13	Nylon Tie		8911-0200	3								
14	Tape-Foam	L=185	8208-0005	1								
15	Label-R404A		4A0960-01	1								
16	Insulation Tubing	L=50	7762-1020	2								

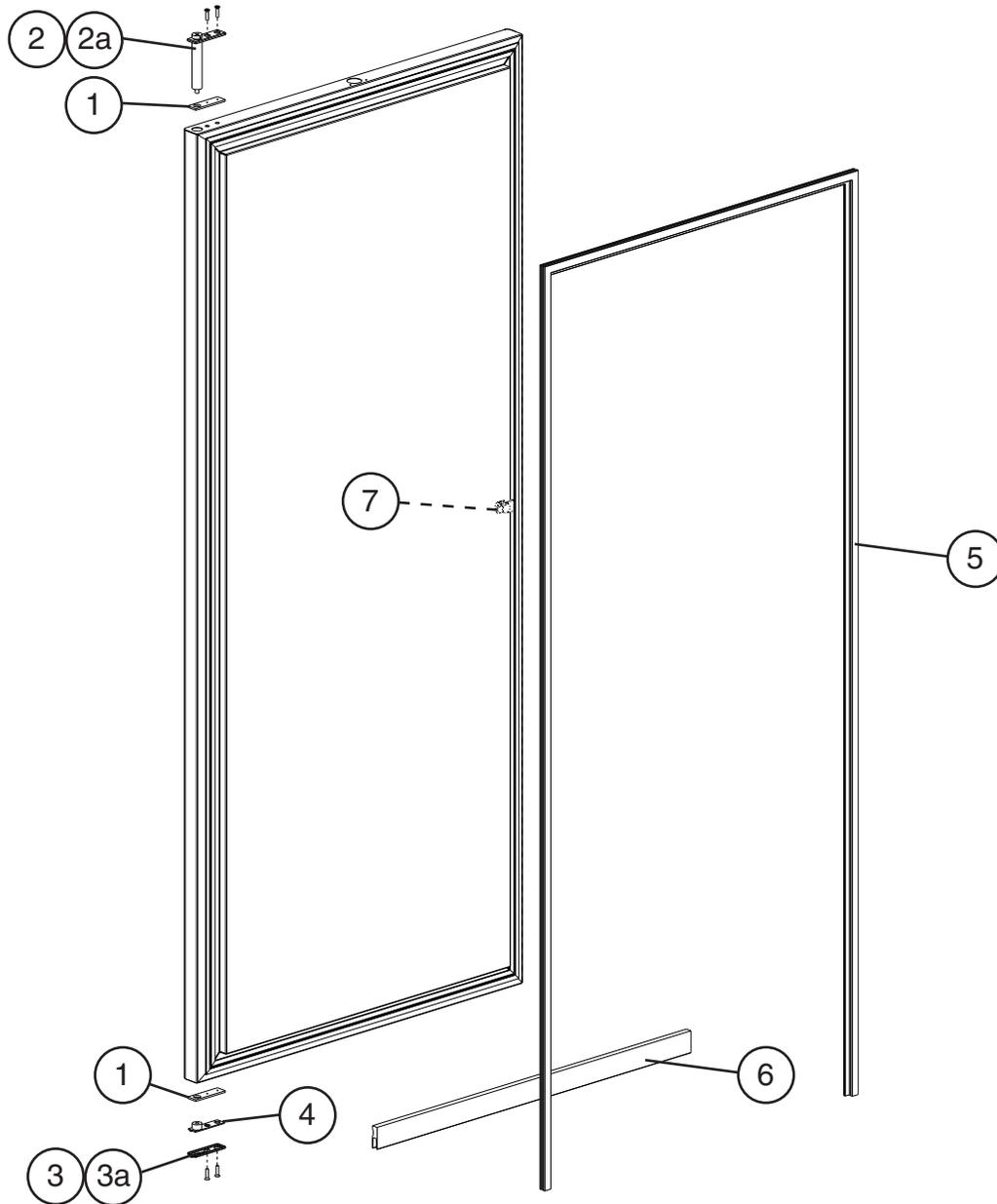
M. Common Control Box
RIR1-SSB
 T-5, U-5



Title: M. Common Control Box Model: RIR1-SSB													
Index No.	Description	Material or Model Number	Part Number	Required Number									
				T-5	U-5								
1	Truss Head Screw	4x16, SS	7C32-0416	4									
2	Control Board		2A2862-23	1									
3	Board Support	CBLS37-M	4A0336-03	6									
4	Cover-Control Box		2A1031-01	1									
4a	T2 Screw	4x8, SS	7P32-0408	2									
5	Switch-Bracket	GS	2A1032-02	1									
5a	T2 Screw	4x8, SS	7P32-0408	2									
6	Bushing	SB-1093-15	420470-03	1									
7	Bushing	SB-625-8	420470-01	1									
8	Board Connector	5198-10	434003-05	1									
9	Board Connector	5198-07	434003-07	1									
10	Board Connector	5198-03	434003-09	1									
11	Board Connector	5198-03 Red	434003-11	1									
12	Plug Housing	9P	412832-02	1									

Title: M. Common Control Box Model: RIR1-SSB												
Index No.	Description	Material or Model Number	Part Number	Required Number								
				T-5	U-5							
13	Receptacle Housing	9P 3191-09R1	412831-02	1								
14	Plug Housing	6P 3191-06-P	412832-03	1								
15	Receptacle Housing	6P	412831-03	1								
16	Plug Housing	3P 03-12-1036	4A0425-01	1								
17	Receptacle Housing	3P 03-12-1035	4A0426-01	1								
18	Toggle Switch		4A0424-01	1								
19	Rocker Switch		4A0418-01	1								
20	Transformer		3A1759-01	1								
20a	Tapping Screw	3x8	431415-01	2								
21	Compressor Relay		4A1307-01	1								
21a	Tapping Screw	3x8	431415-01	2								
22	Plug Housing	4P 3191-04-P	412832-05	1								
23	Receptacle Housing	4P 3191-04R1	412831-05	1								
24	Plug Housing	2P 3191-02P	412832-07	1								
25	Receptacle Housing	2P 3191-02R1	412831-07	1								
26	Terminal Block	ESB2-323-424	4A2619-01	1								
26a	Tapping Screw	3x8	431415-01	2								
27	Label-Power		4A2196-01	1								
28	Label-Door Heater Switch		4A1039-01	1								
29	Label-Display Information		3A1413-01	1								
30	Base-Control Box	GS	2A1146-01	1								
31	Screw-Grounding		433304-02	1								

N. Door Subassembly-Right
RIR1-SSB
 T-5, U-5

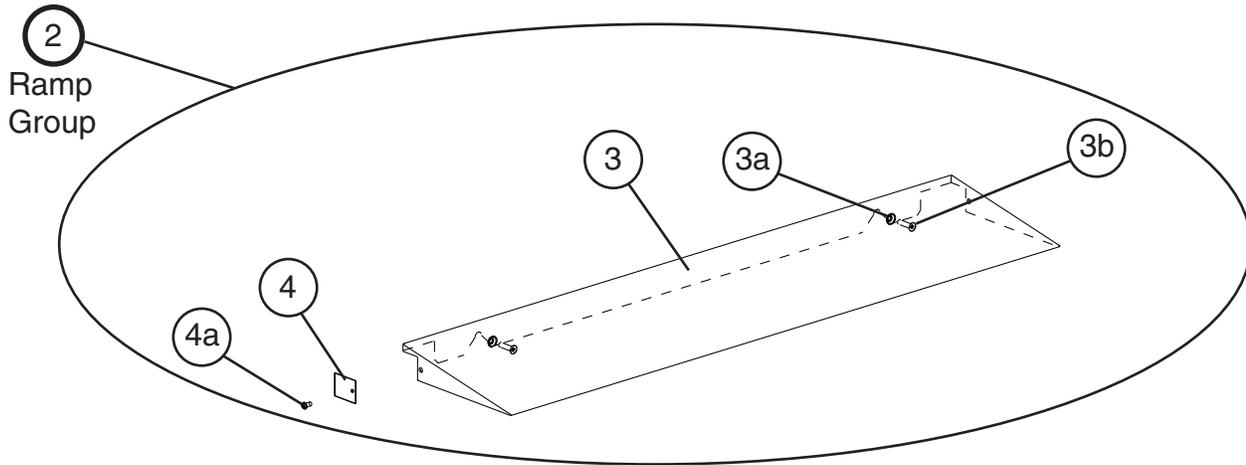


Title: N. Door Subassembly-Right		Model: RIR1-SSB		Required Number									
Index No.	Description	Material or Model Number	Part Number	T-5	U-5								
1	Foam Pad		4A2257-01	2									
2	Hinge-Spring Cartridge (R)		4A0438-01	1									
2a	Screw Countersunk	5x20, SS	7C42-0520	2									
3	Hinge-Bottom Plate Male (R)		4A0440-01	1									
3a	Screw Countersunk	5x20, SS	7C42-0520	2									
4	Hinge-Bottom Bushing (R)		4A0439-01	1									
5	Gasket-3 Sided		2A4482-01	1									
6	Gasket-Sweep		3A4704-01	1									
7	Lock		4A4494-01	1									

P. Accessories & Packaging

RIR1-SSB

T-5, U-5



Title: P. Accessories & Packaging		Model: RIR1-SSB		Required Number										
Index No.	Description	Material or Model Number	Part Number	T-5										
				U-5										
1	Instruction Manual		91A3GM10B	1										
2	Ramp Group (includes items 3 through 4a)		2A4499A01	1										
3	Ramp		2A4832-01	1										
3a	Taper Collar	SS	4H0171-01	2										
3b	Countersunk Screw	5x20, SS	7C42-0520	2										
4	Ramp Filler Bracket		4A4591-01	1										
4a	T2 Screw	4x8, SS	7P32-0408	1										
	Packaging	Refer to 1A1496A01												

Free Manuals Download Website

<http://myh66.com>

<http://usermanuals.us>

<http://www.somanuals.com>

<http://www.4manuals.cc>

<http://www.manual-lib.com>

<http://www.404manual.com>

<http://www.luxmanual.com>

<http://aubethermostatmanual.com>

Golf course search by state

<http://golfingnear.com>

Email search by domain

<http://emailbydomain.com>

Auto manuals search

<http://auto.somanuals.com>

TV manuals search

<http://tv.somanuals.com>