

# Hoshizaki America, Inc.

## Cubelet Icemaker / Dispenser

### Models

DCM-75 IBAH

DCM-75 IBAH-OS

DCM-75 IBWH

DCM-75 IBWH-OS



“A Superior Degree  
of Reliability”

[www.hoshizaki.com](http://www.hoshizaki.com)

## PARTS LIST



Number: 71321  
Issued: 7-18-2011  
Revised: 3-5-2015

## CONTENTS

Auxiliary Codes.....	3
Note About Ordering Parts .....	3
A. Ice Dispenser Assembly .....	4
B. Refrigeration Circuit.....	7
DCM-751BAH(-OS).....	7
DCM-751BWH(-OS).....	9
C. Ice Making Unit .....	11
D. Water Circuit .....	13
E. Control Box Assembly.....	15
F. Shutter Assembly .....	17
G. Dispensing & Agitating Gear Motor Assemblies.....	20
H. Bin Assembly.....	22
J. Accessories & Labels.....	24

## Auxiliary Codes

<b>DCM-751BAH</b>	A-0	March 2011
	B-0	January 2012
	C-0	January 2013
	D-0	January 2014
	D-1	May 2014
E-0	January 2015	
<b>DCM-751BAH-OS</b>	A-0	August 2011
	B-0	January 2012
	C-0	January 2013
	D-0	January 2014
	D-1	May 2014
E-0	January 2015	
<b>DCM-751BWH</b>	A-0	March 2011
	B-0	March 2012
	C-1	March 2013
	D-0	February 2014
	D-1	May 2014
E-0	January 2015	
<b>DCM-751BWH-OS</b>	A-0	June 2011
	B-0	March 2012
	C-1	March 2013
	D-0	February 2014
	D-1	September 2014
E-0	January 2015	

## Auxiliary Code Breakdown

The auxiliary code is the first two characters in the serial number. The first character indicates the year. Years progress or regress in alphabetical order. The series runs from "A" through "V" and the letters "I" and "O" are skipped. The second character indicates significant part changes within a year. Base is "0" and this number advances for each change. In cases where there is a letter in parentheses, this designates the month. This is the last character in the serial number. The series runs from "(A)" through "(M)" and the letter "(I)" is skipped. This designation is only included when identifying a parts change within an auxiliary code.

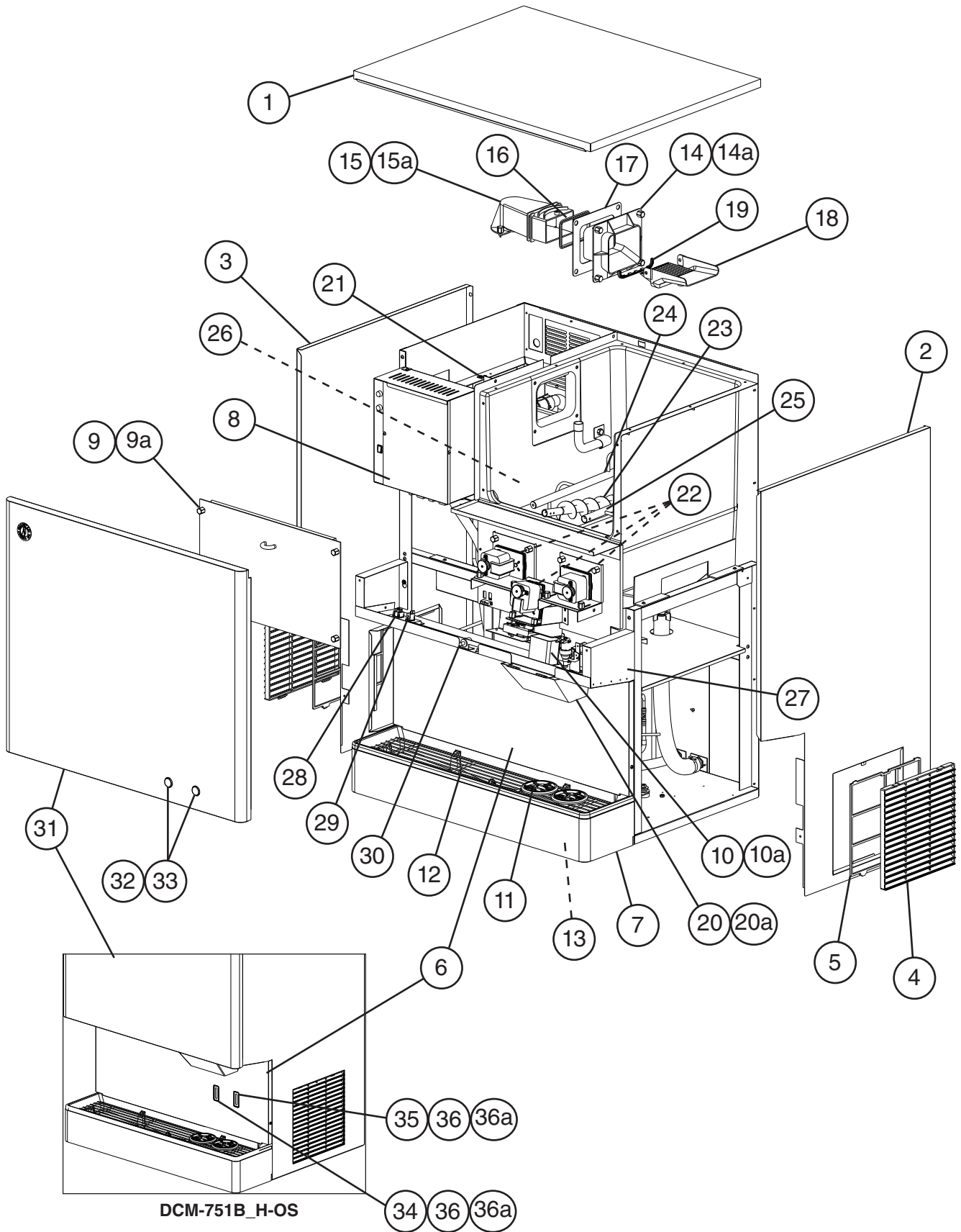
## Note About Ordering Parts

Most assemblies cannot be ordered as complete units; parts in the assemblies generally must be ordered separately.

# A. Ice Dispenser Assembly

## DCM-751B\_H(-OS)

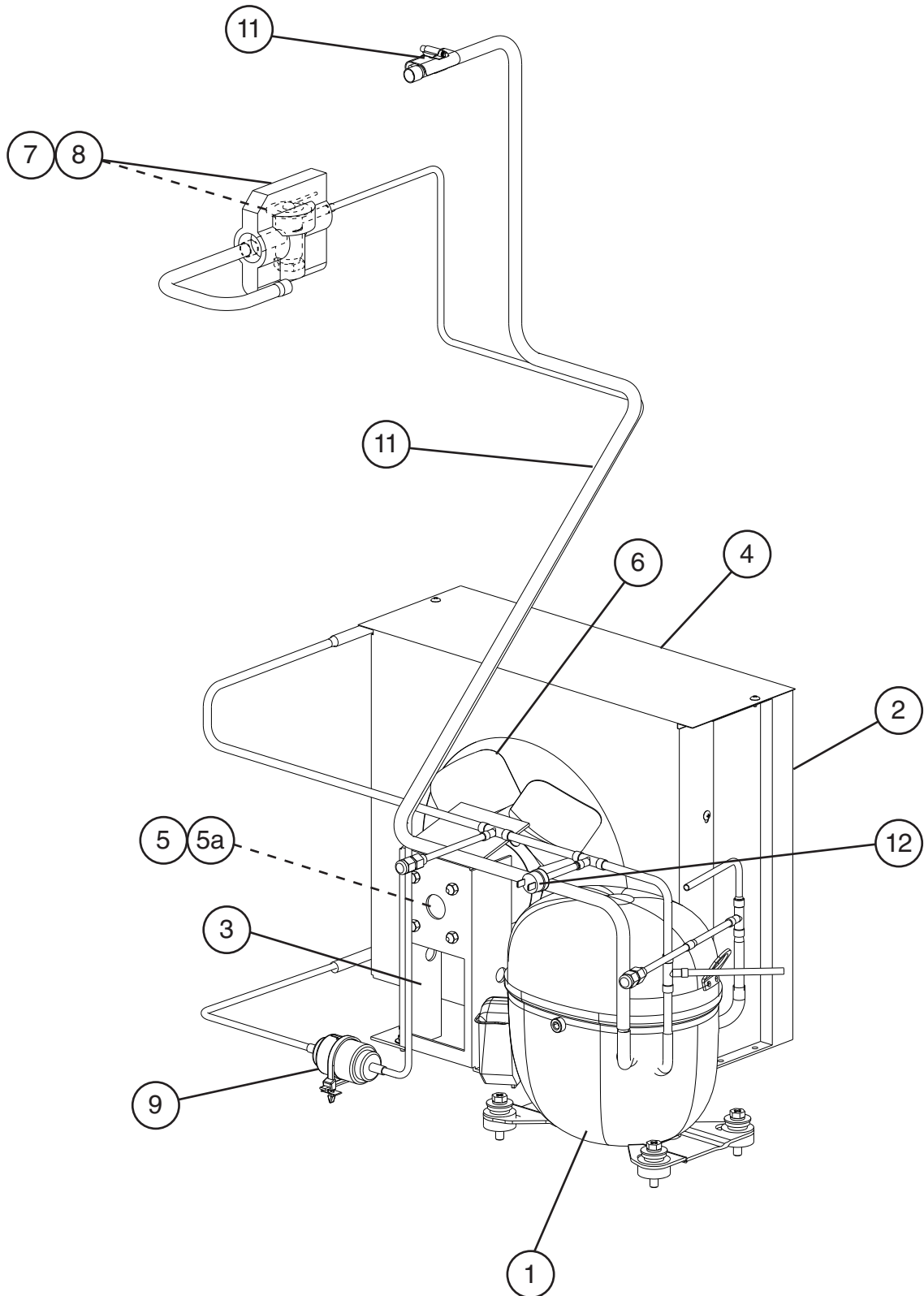
A-0 to E-0



Title: A. Ice Dispenser Assembly Model: DCM-751B H(-OS)												
Index No.	Description	Material or Model Number	Part Number	A-0 to E-0	Required Number							
1	Top Panel		3A2526G01	1								
2	Right Side Panel	DCM-751BAH(-OS)	2A6442-01	1								
		DCM-751BWH(-OS)	2A6442-02	1								
3	Left Side Panel	DCM-751BAH(-OS)	2A6443-01	1								
		DCM-751BWH(-OS)	2A6443-02	1								
4	Louver	DCM-751BAH(-OS)	103121-03	2								
5	Air Filter	DCM-751BAH(-OS)	208283G03	2								
6	Apron Panel	DCM-751B_H	2A6495-01	1								
		DCM-751B_H-OS	3A6512G01	1								
7	Panel (Lower)		228436G01	1								
8	Control Box Panel		4A5054-01	1								
9	Storage Bin Cover		228433A01	1								
9a	Thumbscrew		415949G12	4								
10	Ice Chute		4A2204-01	1								
10a	Thumbscrew		415949G08	2								
11	Cup Guide		326702-01	2								
12	Grille		216100G01	1								
13	Drip Tray		2A2591G02	1								
14	Spout B		208807-01	1								
14a	Thumbscrew		415949G11	4								
15	Spout		103329G01	1								
15a	Thumbscrew		415949G11	3								
16	Spout Packing A		427195-01	1								
17	Spout Packing B		427196-01	1								
18	Guide		211171-01	1								
19	Packing		320668-01	1								
20	Spout Cover		215773-01	1								
20a	Thumbscrew		415949G08	2								
21	Ground Screw		433304-02	1								
22	Gasket		429758-01	3								
23	Auger		3A6535G01	1								
24	Left Agitator		319017G02	1								
25	Right Agitator		321013G01	1								
26	Drain Pan		323765G01	1								
27	Middle Front Frame		2A4756G01	1								
28	Control Switch (rocker)		4A1034-01	1								
29	Dispense Switch (rocker)		4A0558-01	1								
30	Safety Switch (plunger)		4A5034-01	1								

Title: A. Ice Dispenser Assembly    Model: DCM-751B_H(-OS)												
Index No.	Description	Material or Model Number	Part Number	A-0 to E-0	Required Number							
31	Front Panel	<b>DCM-751B_H</b>	3A6515G01	1								
		<b>DCM-751B_H-OS</b>	2A6496-02	1								
32	Push Switch Assembly (includes item 33)	<b>DCM-751B_H</b>	3A4997A01	1								
33	Push Switch	<b>DCM-751B_H</b>	435745-02	2								
34	Ice Sensor Assembly	<b>DCM-751B_H-OS</b>	4A3753G01	1								
35	Water Sensor Assembly	<b>DCM-751B_H-OS</b>	4A3753G02	1								
36	Sensor Latch	<b>DCM-751B_H-OS</b>	4A3848-01	2								
36a	Thumbscrew	<b>DCM-751B_H-OS</b>	415949G10	2								

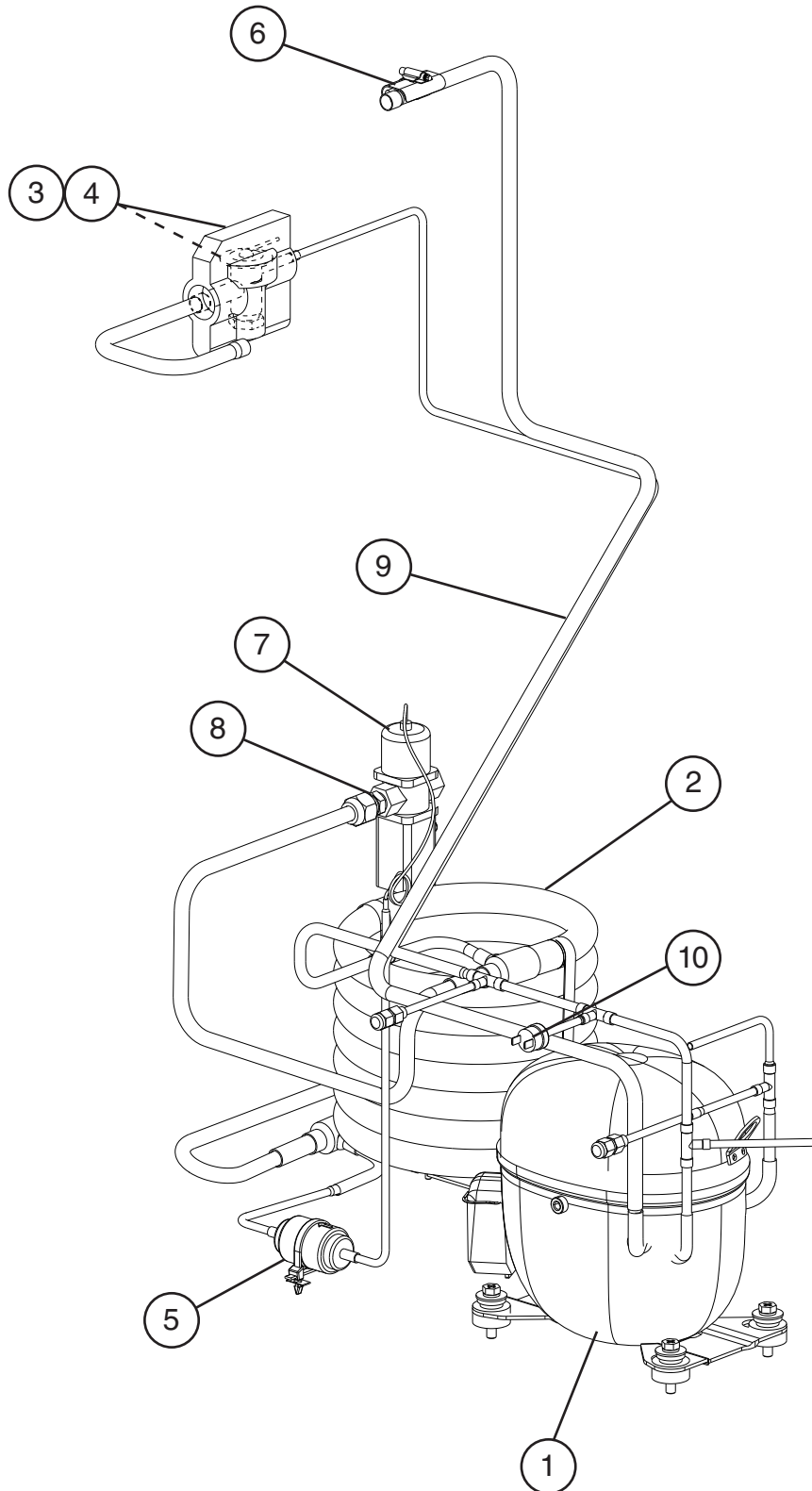
**B. Refrigeration Circuit**  
**DCM-751BAH(-OS)**  
A-0 to E-0



Title: B. Refrigeration Circuit Model: DCM-751BAH(-OS)												
Index No.	Description	Material or Model Number	Part Number	Required Number								
				A-0 to E-0								
1	Compressor	RST61C1E-CFA-202	4A5158-01	1								
2	Condenser		3A0821-01	1								
3	Fan Motor Bracket		3A0650-01	1								
4	Shroud		340990-01	1								
5	Fan Motor		4A3158-01	1								
5a	Self-Locking Nut	8-32	7N2110832	4								
6	Fan Blade		444898-01	1								
7	Thermostatic Expansion Valve		4A1117-01	1								
8	Thermostatic Expansion Valve Cover		4A1168-01	1								
9	Drier		4A1113-01	1								
10	Thermostatic Expansion Valve Bulb Holder		3A0112-01	1								
11	Heat Exchanger		2A6126A01	1								
12	High-Pressure Switch		463180-04	1								

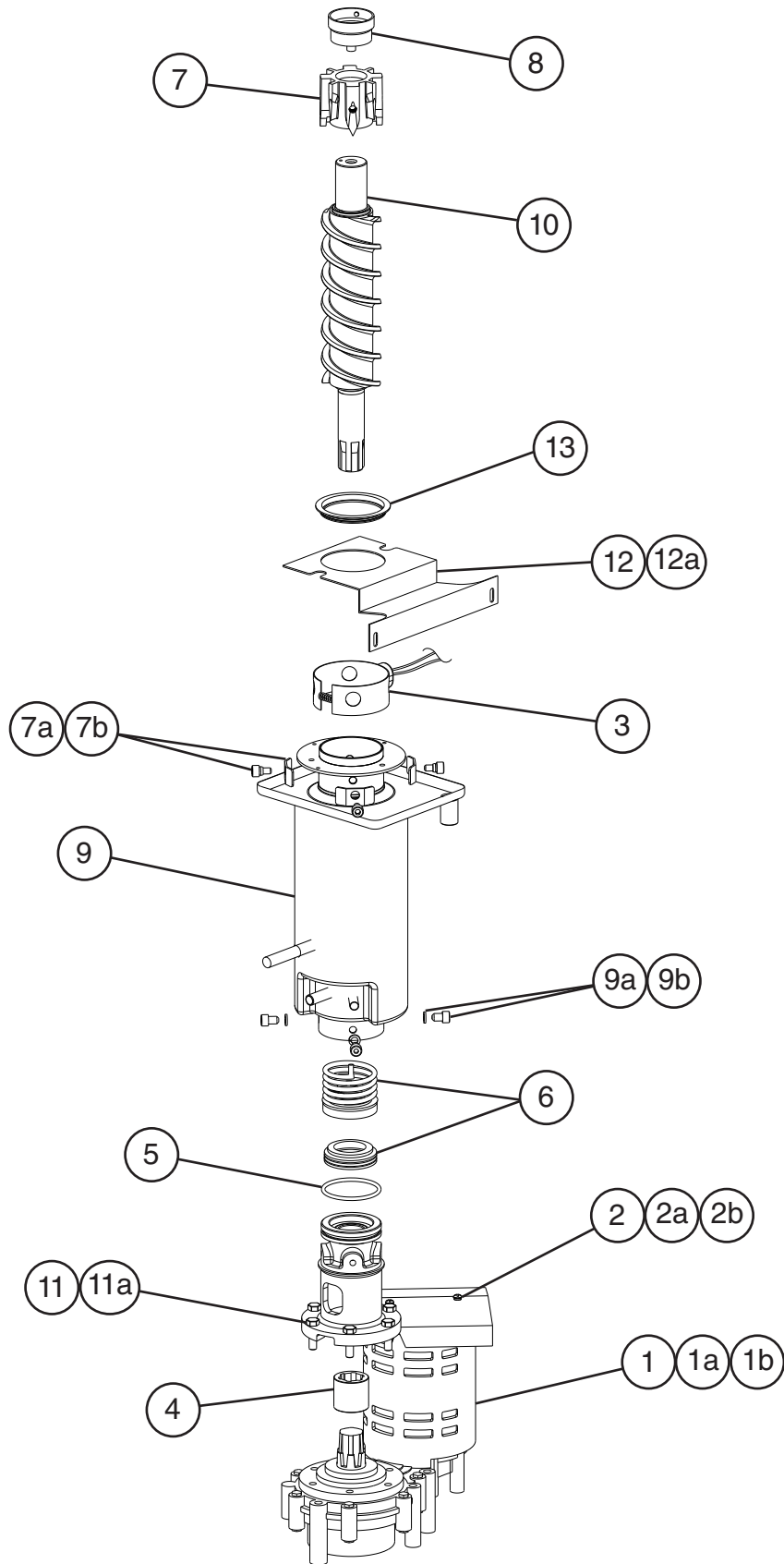


**B. Refrigeration Circuit**  
**DCM-751BWH(-OS)**  
A-0 to E-0



Title: B. Refrigeration Circuit Model: DCM-751BWH(-OS)											
Index No.	Description	Material or Model Number	Part Number	Required Number							
				A-0 to B-0	C-1 to E-0						
1	Compressor	RST61C1E-CFA-202	4A5158-01	1	1						
2	Condenser	HS-5099	2A2359G03	1	-						
			3A7323-01		1						
3	Thermostatic Expansion Valve		4A1117-01	1	1						
4	Thermostatic Expansion Valve Cover		4A1168-01	1	1						
5	Drier		4A1113-01	1	1						
6	Thermostatic Expansion Valve Bulb Holder		3A0112-01	1	1						
7	Water Regulator		4A0911-04	1	1						
8	Male Connector		4A1087-01	1	1						
9	Heat Exchanger		2A6126A01	1	1						
10	High-Pressure Switch		463180-05	1	1						

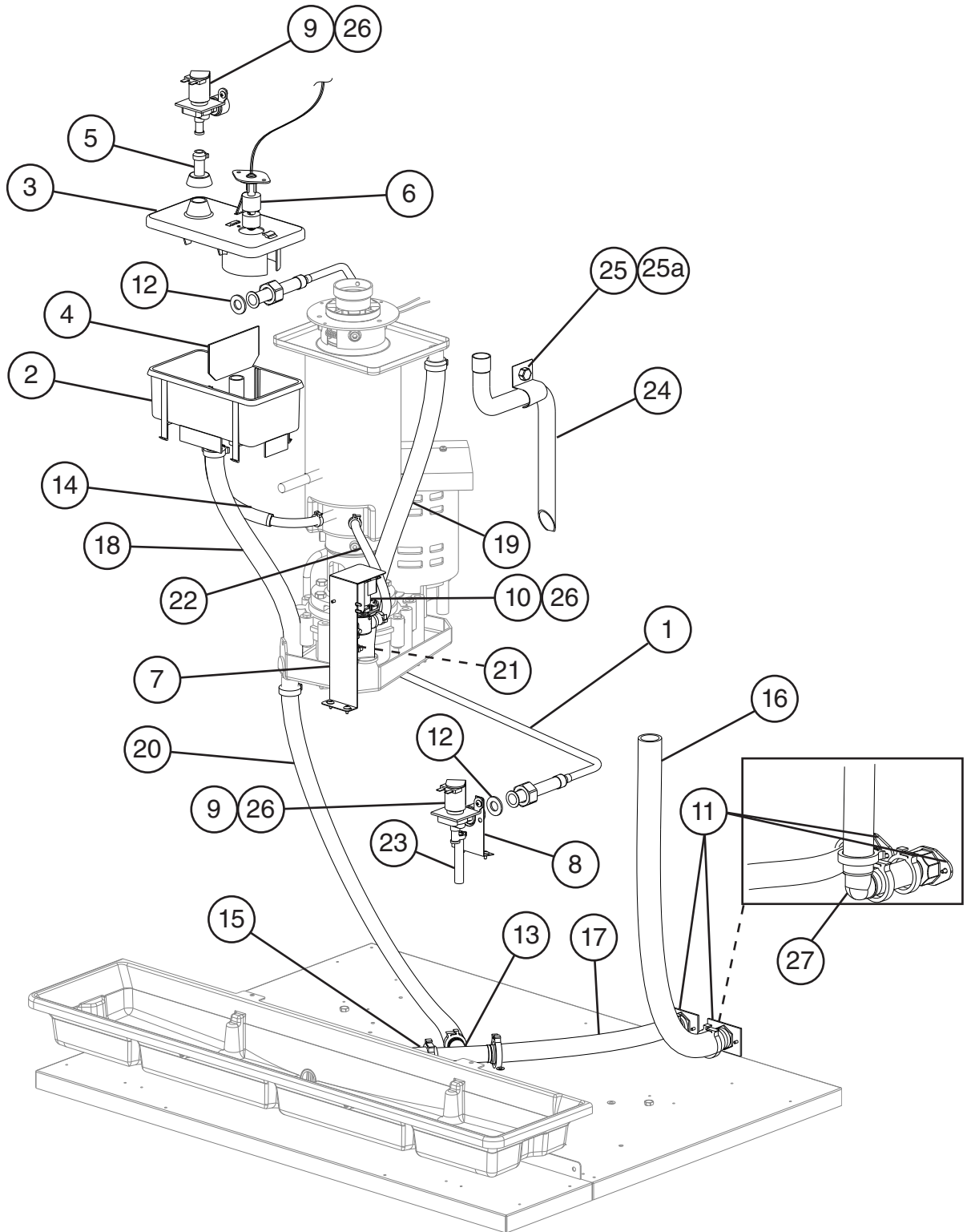
**C. Ice Making Unit**  
**DCM-751B\_H(-OS)**  
A-0 to E-0



**Title: C. Ice Making Unit Model: DCM-751B\_H(-OS)**

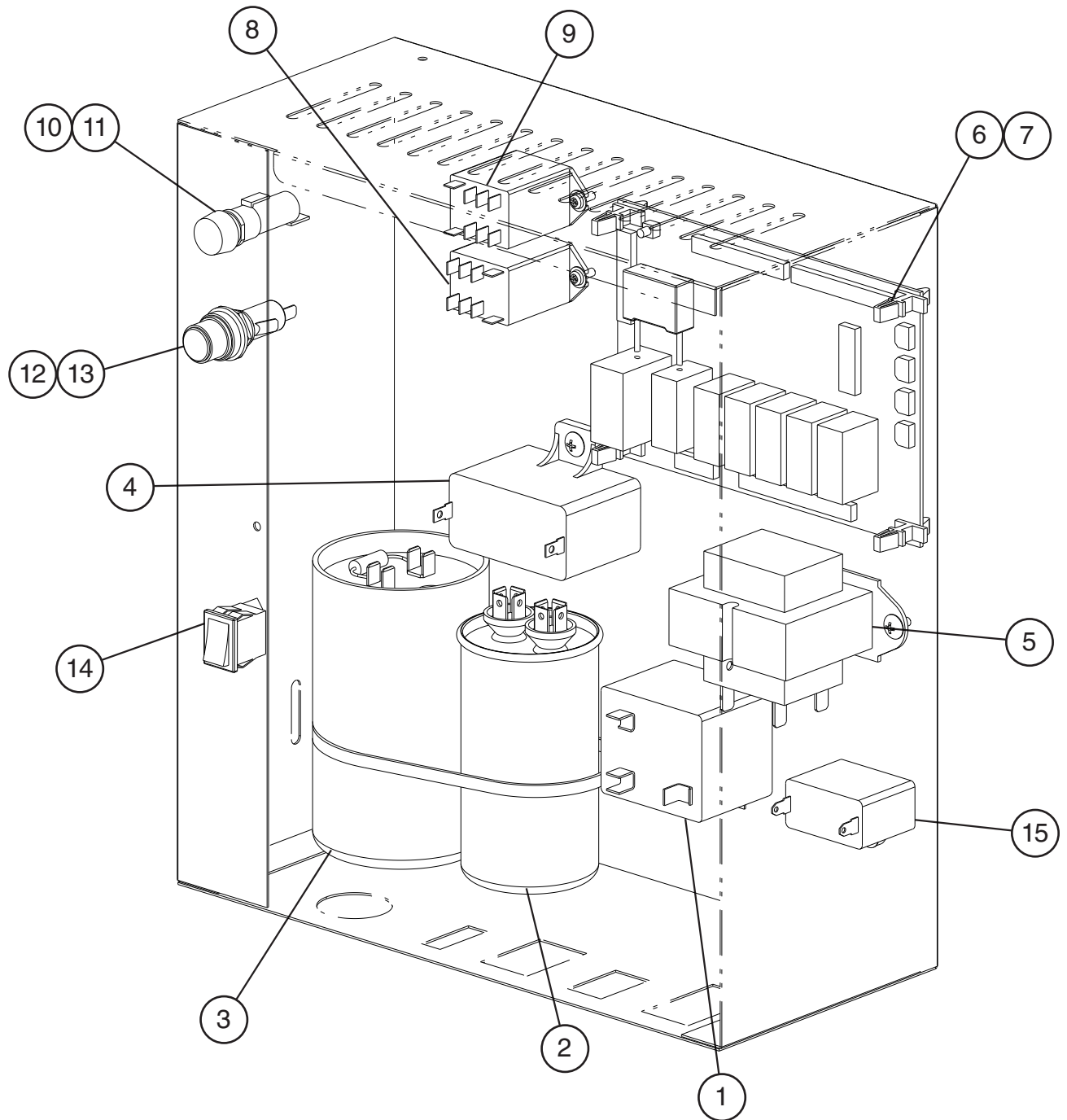
Index No.	Description	Material or Model Number	Part Number	Required Number									
				A-0 to E-0									
1	Gear Motor		4A2007-01	1									
1a	Socket Head Cap Screw	8x110, SS	7S12-0811	3									
1b	Split Lock Washer	M8, SS	7L22-0800	3									
2	Gear Motor Barrier		3A1732-01	1									
2a	Truss Head Screw	4x8	7C31-0408	2									
2b	Rubber Washer		4A5268-01	2									
3	Heater (includes spring)		4A2292-01	1									
4	Spline Coupling		4A3204-01	1									
5	O-ring		4A4755-02	1									
6	Mechanical Seal		432492-01	1									
7	Extruding Head		216530G04	1									
7a	Washer		427184-01	4									
7b	Seal Bolt	M8	P01768-01	4									
8	Cutter		427183G01	1									
9	Evaporator		2A3314G01	1									
9a	Split Lock Washer	M8, SS	7L22-0800	4									
9b	Socket Head Cap Screw	8x12, SS	7S12-0812	4									
10	Auger		120863G02	1									
11	Housing		2A1977G01	1									
11a	Hex Bolt	8x30, SS	7B02-0830	6									
12	Evaporator Bracket		3A0360-01	1									
12a	Hex Head Bolt w/Washer	5x10, SS	7B0230510	2									
13	Packing		427151-02	1									

**D. Water Circuit**  
**DCM-751B\_H(-OS)**  
A-0 to E-0



Title: D. Water Circuit Model: DCM-751B_H(-OS)												
Index No.	Description	Material or Model Number	Part Number	Required Number								
				A-0 to D-1	E-0							
1	Water Supply Pipe		2A6154G01	1	1							
2	Reservoir		2A0753-01	1	1							
3	Reservoir Cover		214810-01	1	1							
4	Reservoir Separator		4A1255-01	1	1							
5	Reservoir Inlet		4A0869-01	1	1							
6	Float Switch		435490-01	1	1							
7	Drain Valve Bracket		3A6111-01	1	1							
8	Dispense Water Valve Bracket		4A0999-01	1	1							
9	Water Valve (inlet and dispense)		4A0865-01	2	-							
			4A5309-01		2							
10	Drain Valve		4A2772-01	1	1							
11	Fitting		4A0776G01	2	-							
			4A5527-01		2							
12	Washer		4A0867-01	2	-							
			413854-03		2							
13	Tee		4A0525-04	1	1							
14	Reservoir Hose		4A1165-02	1	1							
15	Vinyl Hose	L=220 mm	4A0658L01	1	1							
16	Vinyl Hose	L=515 mm	4A0658L01	1	-							
		L=425 mm			1							
17	Vinyl Hose	L=265 mm	7716-2025	1	-							
		L=320 mm			1							
18	Vinyl Hose	L=350 mm	7716-2025	1	-							
			7725-1923		1							
19	Vinyl Hose	L=435 mm	7716-2025	1	-							
			7725-1923		1							
20	Vinyl Hose	L=550 mm	7725-1923	1	-							
		L=585 mm			1							
21	Vinyl Hose	L=75 mm	7725-0912	1	-							
	Silicone Hose	L= 100 mm	7730I3896		1							
22	Vinyl Hose	L=175 mm	7725-0912	1	-							
	Silicone Hose	L=225 mm	7730I3896		1							
23	Vinyl Hose	L=70 mm	7725-0912	1	-							
	Reservoir Inlet		4A0869-01		1							
24	Drain Pipe		320836-01	1	1							
25	Bracket		432496-01	1	1							
25a	Thumbscrew		415949G08	1	-							
			415949G10		1							
26	R-C Capacitor (Noise Killer)	0.2MFD, 250VAC	4A1012-01	3	3							
27	Elbow		4A1016-01		1							
<b>Clamps</b>												
	Hose Clamp	21-26 mm	4A2017-01	4	4							
	Hose Clamp	32-37 mm	4A2017-03	5	6							
	Hose Clamp	12-14 mm	4A2017-04	6	6							
	Hose Clamp	17-21 mm	4A2017-05	1	1							

**E. Control Box Assembly**  
**DCM-751B\_H(-OS)**  
A-0 to E-0



Title: E. Control Box Assembly Model: DCM-751B_H(-OS)												
Index No.	Description	Material or Model Number	Part Number	Required Number								
				A-0 to D-0	D-1 E-0							
1	Start Relay		4A1107-20	1	1							
2	Run Capacitor	40MFD, 440VAC	3A2005-07	1	1							
3	Start Capacitor	243-292MFD, 250VAC	3A0076-21	1	1							
4	Gear Motor Capacitor	24MFD, 250VAC	4A2273-01	1	1							
5	Control Transformer		4A0557-01	1	1							
6	Control Board		2A4296-01	1	1							
7	Board Support		4A0336-03	4	1							
8	Gear Motor Protect Relay		406132-07	1	1							
9	Power Protect Relay		418271-05	1	1							
10	Fuse Holder		4A3449-02	Serial numbers below originally came with a different fuse holder and fuse than those listed at left; replacement of both fuse holder and fuse with those listed are recommended. Refer to Hoshizaki Service Bulletin SB14-0009, available at <a href="http://www.hoshizakiamerica.com">www.hoshizakiamerica.com</a> .								
11	Gear Motor Fuse	GMD-3A, 250VAC (time delay)	4A0893-06	DCM-751BAH: D00221B and earlier DCM-751BAH-OS: D00104C and earlier DCM-751BWH: C10028G and earlier DCM-751BWH-OS: C10012H; B00010F and earlier								
12	Fuse Holder		4A3449-02	1	-							
			4A5443-01		1							
13	Control Board Fuse	AGC-1A, 250VAC	4A0893-01	1	1							
14	Power Switch		4A0558-01	1	1							
15	Fan Motor Capacitor	<b>DCM-751BAH(-OS)</b> 5MFD, 250VAC	443192-02	1	1							

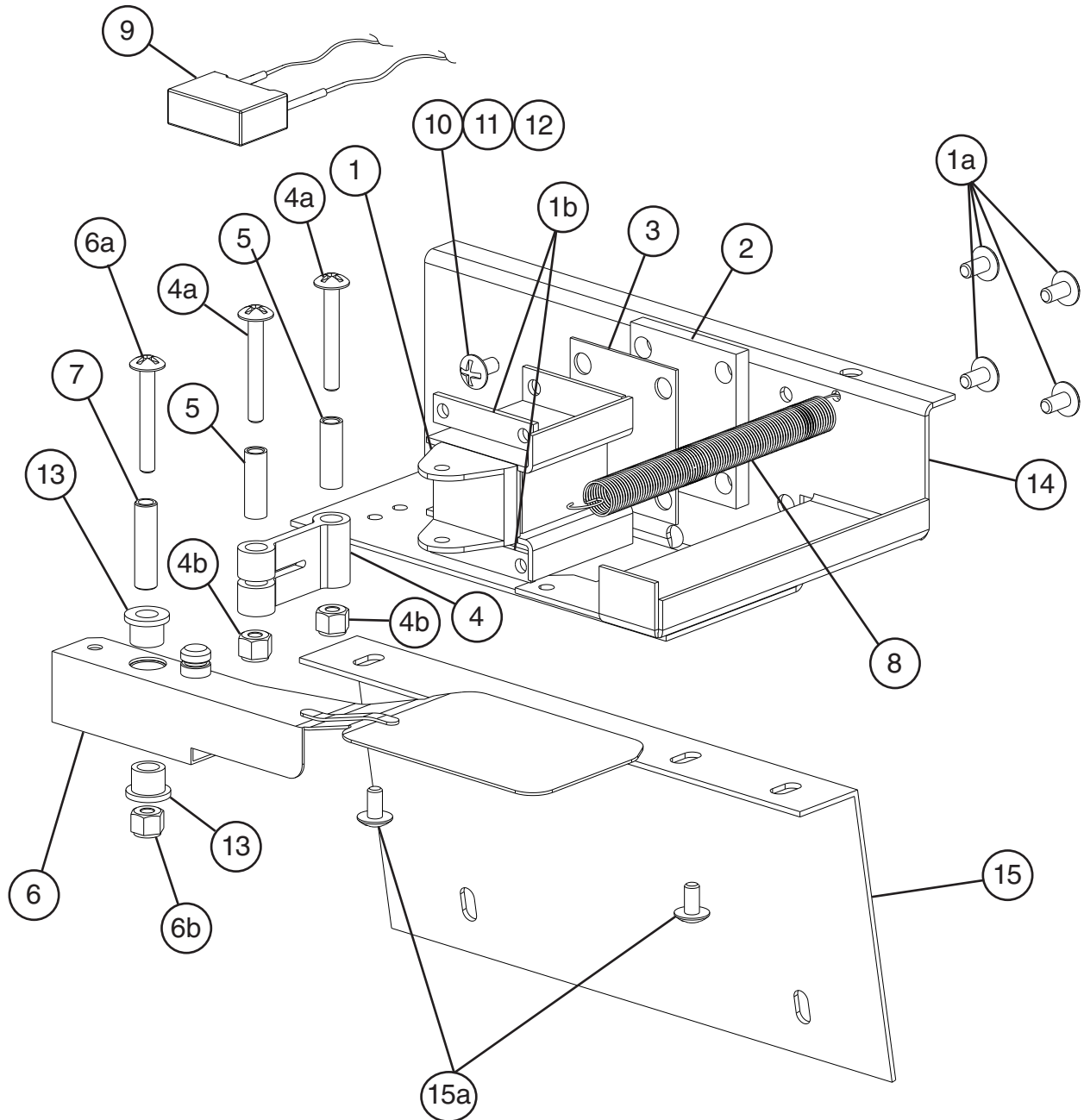


# F. Shutter Assembly DCM-751B\_H(-OS)

1/2

DCM-751BAH(-OS): C-0(L) and Earlier

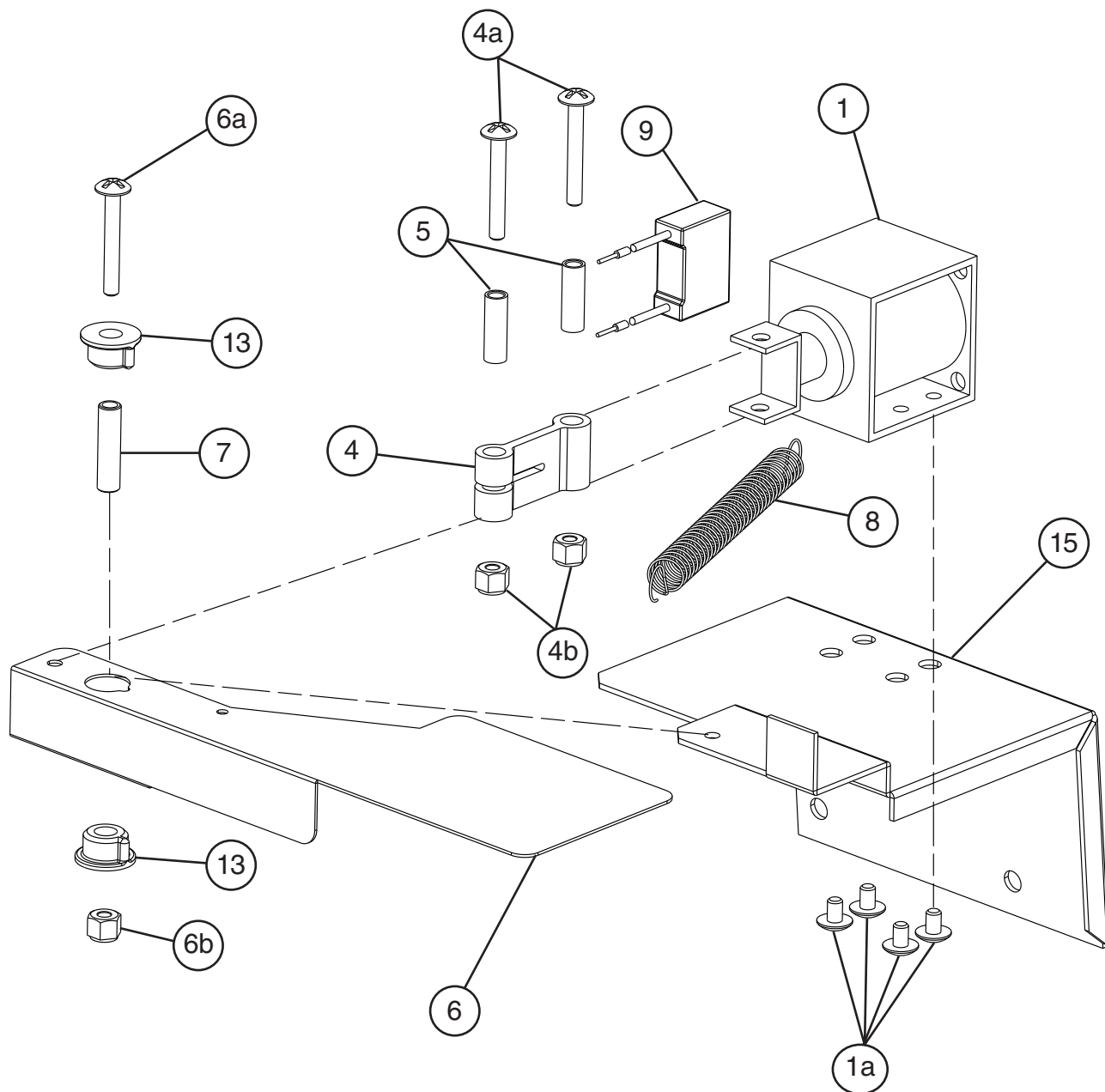
DCM-751BWH(-OS): C-1(L) and Earlier



## F. Shutter Assembly DCM-751B\_H(-OS)

2/2

DCM-751BAH(-OS): C-0(M) and Later  
DCM-751BWH(-OS): C-1(M) and Later

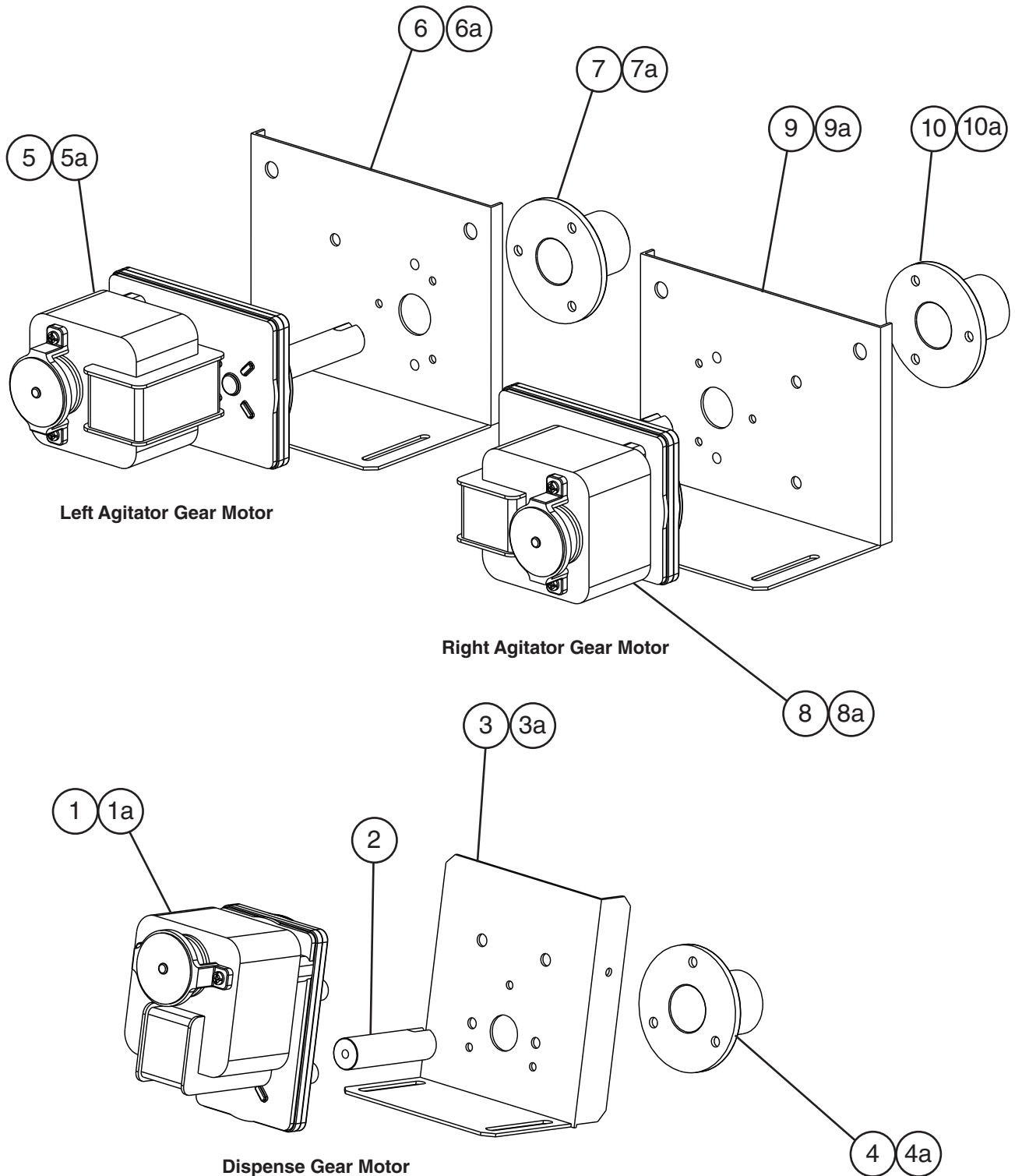


Title: F. Shutter Assembly Model: DCM-751B_H(-OS)										
Index No.	Description	Material or Model Number	Part Number	Required Number						
				A-0 to C-0 (L) C-1 (L)	C-0 (M) C-1 (M) to E-0					
1	Dispense Solenoid		3U0095-01	1	-					
			4A0856-01		1					
1a	Truss Head Screw	4x12, SS	7C32-0412	4	-					
		4x6, SS	7C32-0406		4					
1b	Solenoid Nut		429723-01	2	-					
2	Dispense Solenoid Packing		430380-01	1	-					
3	Packing Cover		431623-01	1	-					
4	Link		432232-01	1	1					
4a	Truss Head Screw	4x30, SS	7C32-0430	2	2					
4b	Self-Locking Nut	4, SS	7N22-0400	2	2					
5	Collar D		432471-01	2	2					
6	Lever		3A1653G01	1	-					
			3A6139-01		1					
6a	Truss Head Screw	4x30, SS	7C32-0430	1	1					
6b	Self-Locking Nut	4, SS	7N22-0400	1	1					
7	Collar E		432240-02	1	1					
8	Spring		432878-01	1	1					
9	R-C Capacitor (Noise Killer)		4A1012-01	1	1					
10	Truss Head Screw (GND)	4x8, SS	7C32-0408	1	-					
11	Tooth Washer (GND)		7R22-0400	1	-					
12	Hex Nut (GND)		7N11-0400	1	-					
13	Plastic Sleeve Insert		432235-01	2	-					
			435533-01		2					
14	Shutter Base		2A2030-02	1	-					
15	Shutter Base B		341011-01	1	-					
			3A6138-01		1					
15a	Truss Head Screw	4x8, SS	7C32-0408	2	-					

# G. Dispensing & Agitating Gear Motor Assemblies

## DCM-751BAH(-OS)

A-0 to E-0

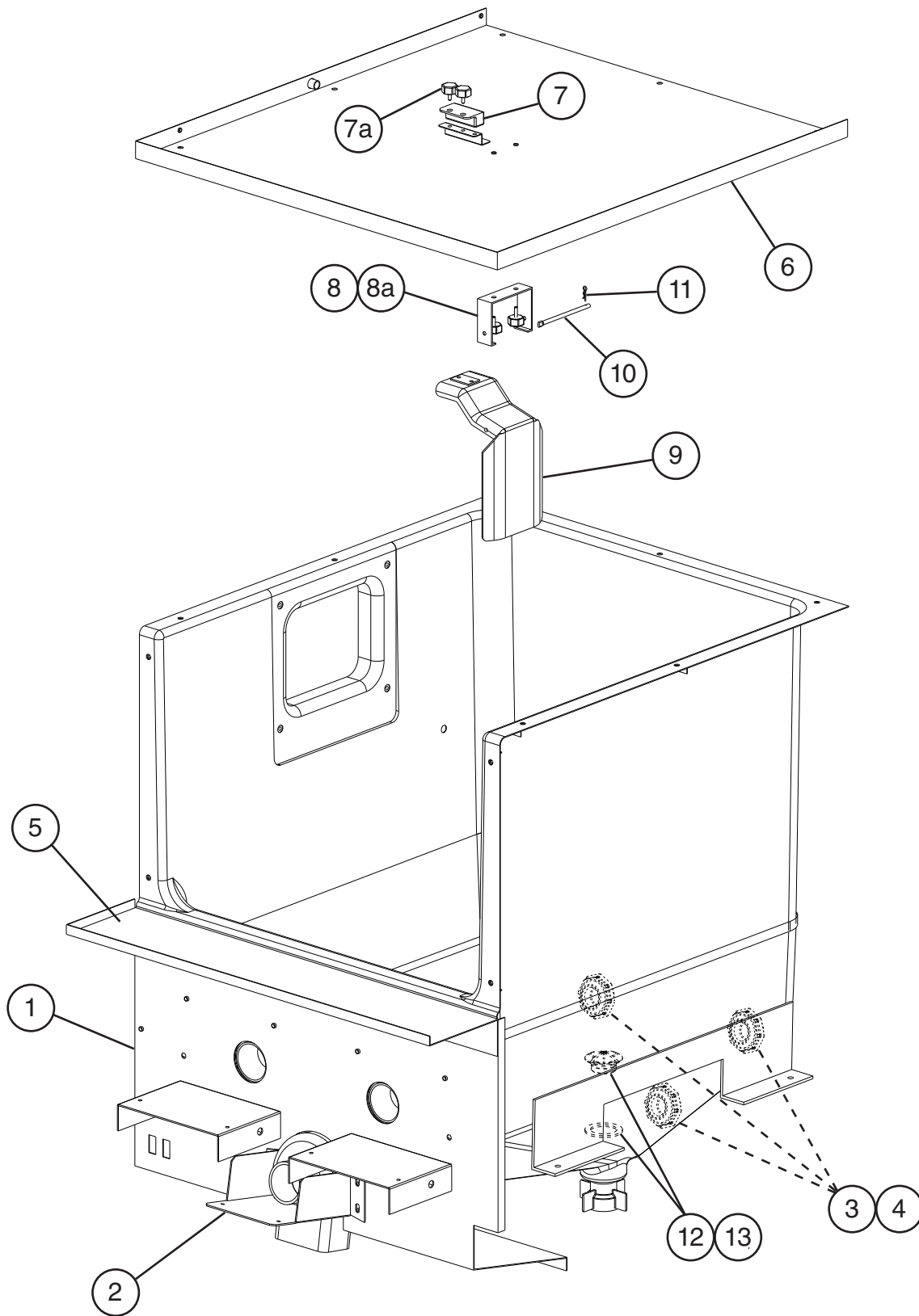


Title: G. Dispensing & Agitating Gear Motor Assemblies Model: DCM-751B_H(-OS)												
Index No.	Description	Material or Model Number	Part Number	Required Number								
				A-0 to E-0								
1	Dispensing Gear Motor		3A6786-03	1								
1a	Flat Head Screw	4x6, SS	7C22-0406	4								
2	Joint		429764-01	1								
3	Center Gear Motor Bracket		340989-01	1								
3a	Thumbscrew		415949G11	3								
4	Plastic Sleeve		429761-01	1								
4a	Flat Head Screw	4x8, SS	7C22-0408	3								
5	Left Agitating Gear Motor		4A3122-01	1								
5a	Flat Head Screw	4x6, SS	7C22-0406	4								
6	Left Gear Motor Bracket		4A3733-01	1								
6a	Thumbscrew		415949G11	4								
7	Plastic Sleeve		429761-01	1								
7a	Flat Head Screw	4x8, SS	7C22-0408	3								
8	Right Agitating Gear Motor		4A3122-01	1								
8a	Flat Head Screw	4x6, SS	7C22-0406	4								
9	Right Gear Motor Bracket		4A3734-01	1								
9a	Thumbscrew		415949G11	3								
10	Plastic Sleeve		429761-01	1								
10a	Flat Head Screw	4x8, SS	7C22-0408	3								

# H. Bin Assembly

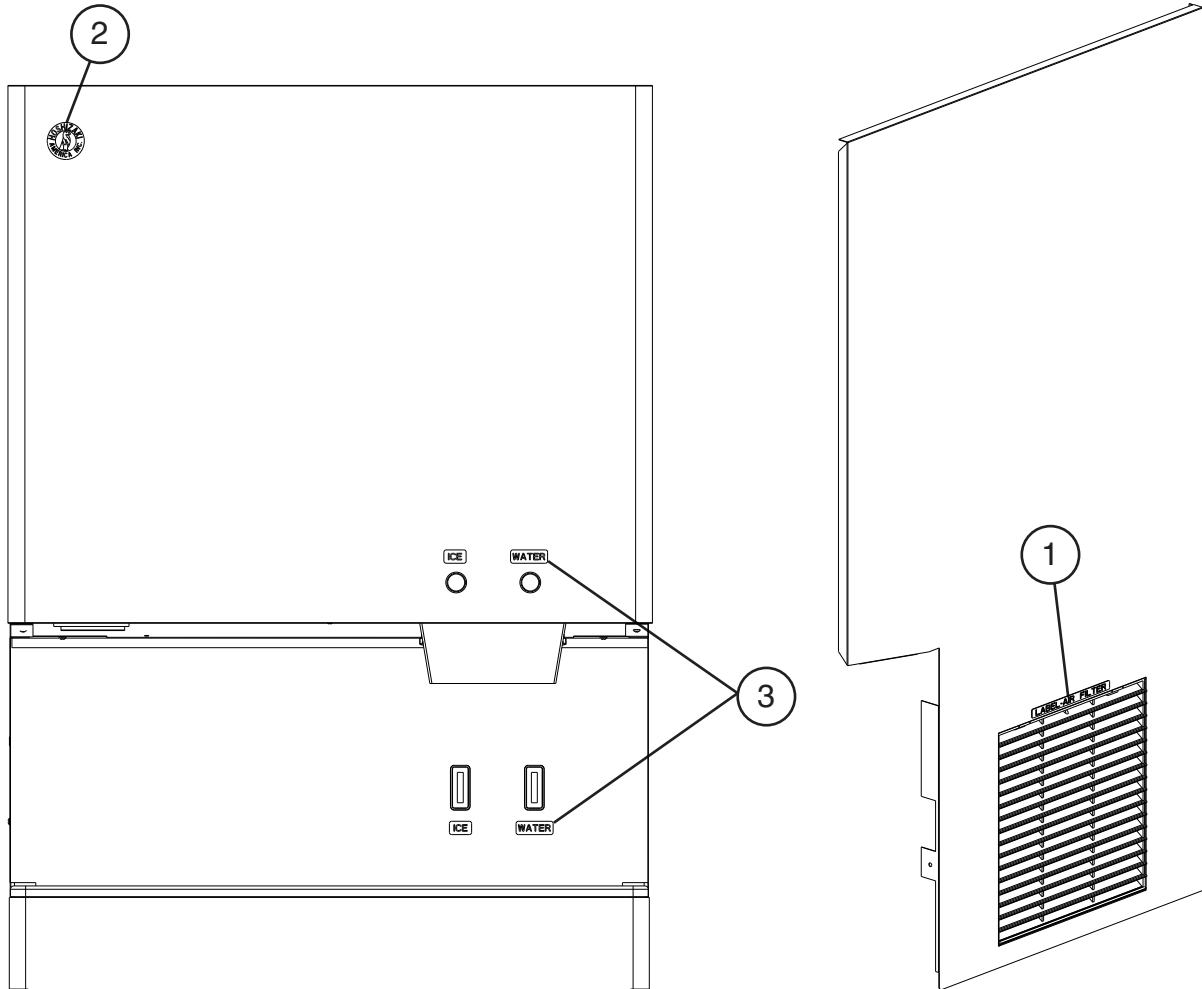
## DCM-751B\_H(-OS)

A-0 to E-0



Title: H. Bin Assembly Model: DCM-751B_H(-OS)												
Index No.	Description	Material or Model Number	Part Number	A-0 to E-0	Required Number							
1	Barrier		228453G01	1								
2	Sliding Bracket		340986-01	1								
3	O-ring		7616-P032	3								
4	Shaft Holder		429818-01	3								
5	Motor Barrier		340984-01	1								
6	Bin Top Cover		2A1713G01	1								
7	Mechanical Bin Control Proximity Switch		4A2033-01	1								
7a	Thumbscrew		415949G08	2								
8	Bin Control Bracket		3A0762-01	1								
8a	Thumbscrew		415949G08	2								
9	Actuator		208795G01	1								
10	Shaft		412337-03	1								
11	Snap Pin		715S-0004	1								
12	Drain Cap		418294-01	1								
13	Rubber Packing (B)		413857-02	1								

**J. Accessories & Labels**  
**DCM-751B\_H(-OS)**  
 A-0 to E-0



Title: J. Accessories & Labels		Model: DCM-751B_H(-OS)		Required Number							
Index No.	Description	Material or Model Number	Part Number	A-0 to E-0							
				1	Air Filter Label	DCM-751BAH(-OS)	426177-01	2			
2	Penguin-HA-R Label		456246-01	1							
3	Ice-Water Label		4A2954-01	1							



## Free Manuals Download Website

<http://myh66.com>

<http://usermanuals.us>

<http://www.somanuals.com>

<http://www.4manuals.cc>

<http://www.manual-lib.com>

<http://www.404manual.com>

<http://www.luxmanual.com>

<http://aubethermostatmanual.com>

Golf course search by state

<http://golfingnear.com>

Email search by domain

<http://emailbydomain.com>

Auto manuals search

<http://auto.somanuals.com>

TV manuals search

<http://tv.somanuals.com>