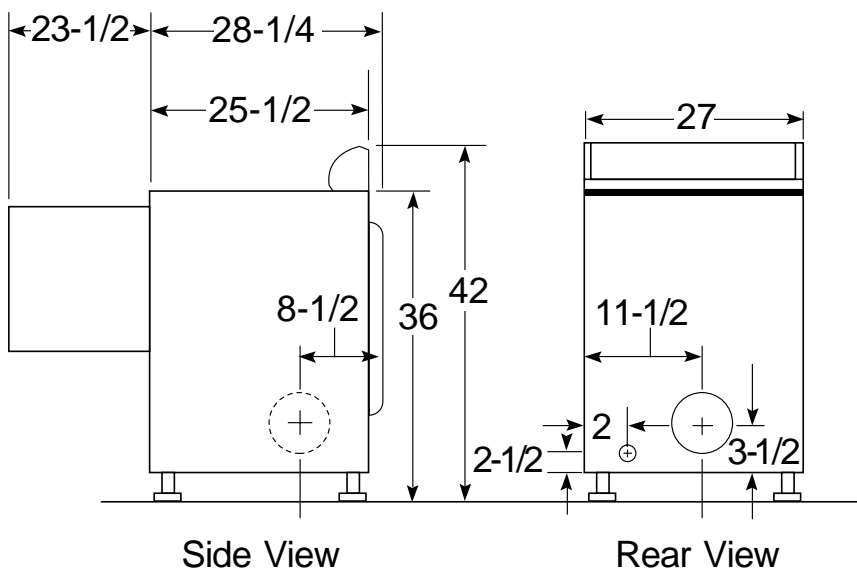


# HOTPOINT

## NBXR453GVWW—Hotpoint 6.0 Cu. Ft. Extra-Large Capacity Gas Dryer

### Dryer Dimensions (in inches)



#### Exhaust Options:

3-way via rear, left and bottom. Dryer is shipped exhausted to the rear. Alternate exhausting knockouts are supplied.

#### Circuit Requirements:

An individual properly-grounded branch circuit, with a three-prong grounding-type receptacle, protected by a 15- or 20-amp circuit breaker or a time-delay fuse is required.

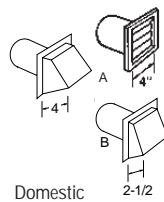
#### Gas Dryer Electric Rating:

120V, 60Hz, 15 Amp

**Gas (BTU/HR):** 22,000. Factory-equipped for natural gas. Tested for LP gas. LP gas supply requires a conversion kit.

Check installation instructions for correct kit and have a qualified gas technician install a conversion kit. See dryer ducting information for proper installation.

**Installation Information:** For complete information, see installation instructions packed with product for current dimensional data.



Domestic  
Dryer Models

	Number of 90° Turns	Best Performance			
		Maximum Length of 4" Dia. Rigid Metal Duct Exhaust Hood Type		Maximum Length of 4" Dia. Flexible Metal Duct Exhaust Hood Type	
		Cat. No. WX8X59 (Preferred) A 4" Opening	B 2-1/2" Opening	Cat. No. WX8X59 (Preferred) A 4" Opening	B 2-1/2" Opening
Domestic Dryer Models	0	90 ft.	60 ft.	55 ft.	45 ft.
	1	60 ft.	45 ft.	40 ft.	30 ft.
	2	45 ft.	35 ft.	30 ft.	20 ft.
	3	35 ft.	25 ft.	20 ft.	15 ft.
Super & Extra-Large Capacity Models	4	25 ft.	15 ft.	15 ft.	10 ft.
	0	45 ft.	30 ft.	30 ft.	15 ft.
	1	35 ft.	20 ft.	20 ft.	10 ft.
	2	25 ft.	10 ft.	10 ft.	—
All Gas Dryers	3	15 ft.	—	—	—
	0	60 ft.	48 ft.	30 ft.	18 ft.
	1	52 ft.	40 ft.	22 ft.	14 ft.
Large Capacity Electric and Gas Dryers	2	44 ft.	32 ft.	14 ft.	10 ft.
	3	32 ft.	24 ft.	—	— ft.
	4	28 ft.	16 ft.	—	— ft.

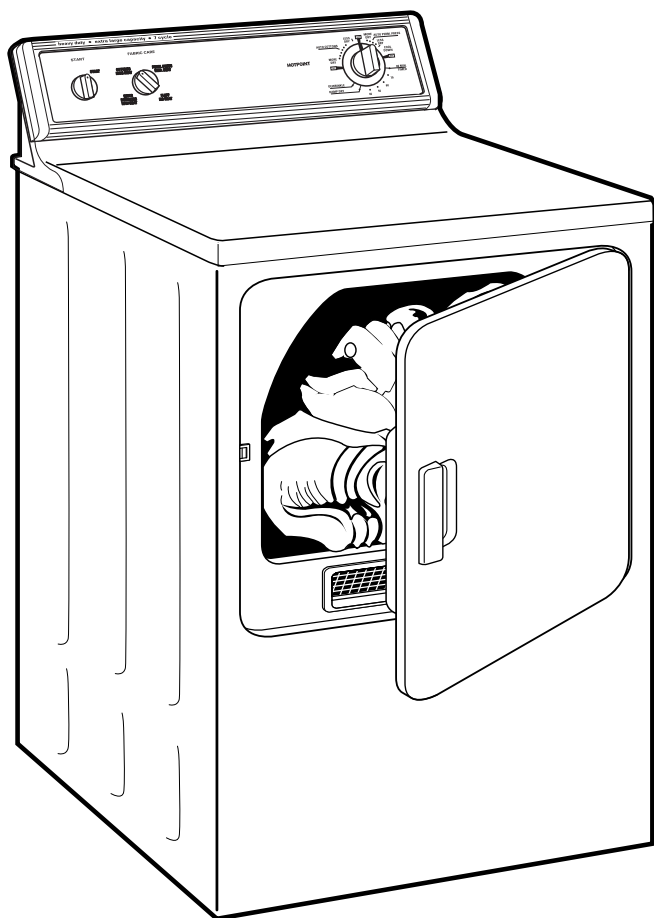


Listed by  
Underwriters  
Laboratories



# HOTPOINT

## NBXR453GVWW—Hotpoint 6.0 Cu. Ft. Extra-Large Capacity Gas Dryer



### Features and Benefits

- 6.0 Cu. Ft. Extra-Large Capacity
- Automatic Dry Control
- 5 Cycles: Cottons, Permanent Press, 80 Minute Timed Dry, Damp Dry and De-Wrinkle
- 4 Heat Selections
- Removable Up-Front Lint Filter
- Double-Coated Drum
- Front Serviceable
- Reversible Door
- Model NBXR453EVWW - White on white
- Model NBXR453EVAA - Almond on almond
- Model NBXR453GVWW - White on white
- Model NBXR453GVAA - Almond on almond

Specification Revised 8/99

## Free Manuals Download Website

<http://myh66.com>

<http://usermanuals.us>

<http://www.somanuals.com>

<http://www.4manuals.cc>

<http://www.manual-lib.com>

<http://www.404manual.com>

<http://www.luxmanual.com>

<http://aubethermostatmanual.com>

Golf course search by state

<http://golfingnear.com>

Email search by domain

<http://emailbydomain.com>

Auto manuals search

<http://auto.somanuals.com>

TV manuals search

<http://tv.somanuals.com>