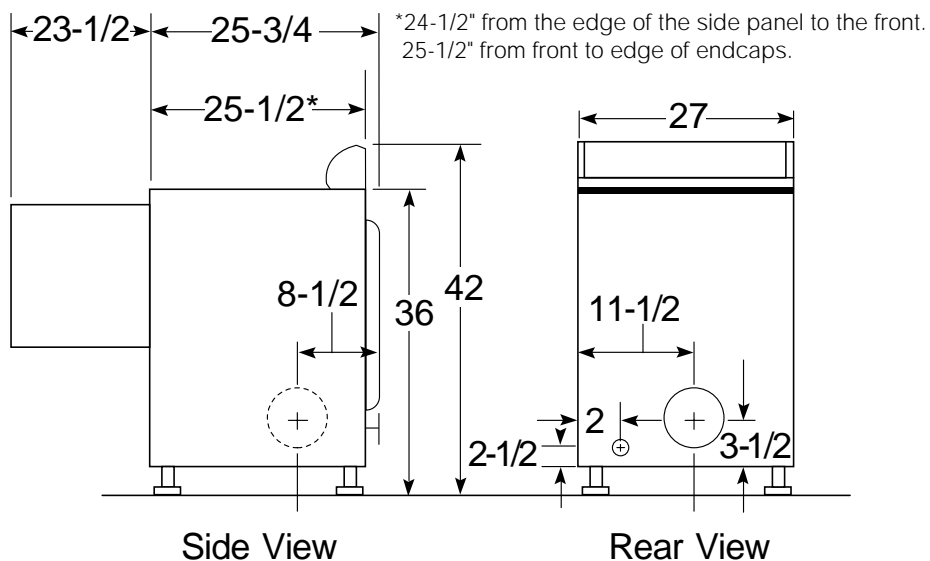


HOTPOINT

NJSR453EWWW - GE Hotpoint 7.0 Cu. Ft. Super Capacity Electric Dryer

Dryer Dimensions (in inches)



Exhaust Options:

4-way via rear, right, left and bottom.

Circuit Requirements:

An individual, properly-grounded branch circuit, protected by a 30-amp circuit breaker or a time-delay fuse, is required.

Electric Dryer Rating:

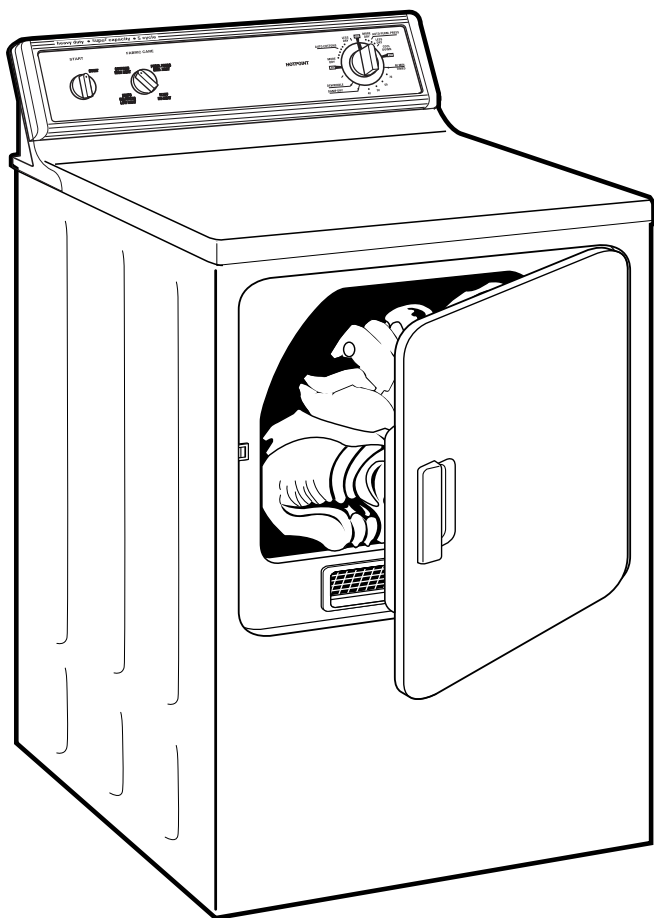
208/240V, 3-wire, 5600W, 60Hz, 30 Amp

Installation Information: For complete information, see installation instructions packed with product for current dimensional data.

		Best Performance			
		Maximum Length of 4" Dia. Rigid Metal Duct		Maximum Length of 4" Dia. Flexible Metal Duct	
		Exhaust Hood Type		Exhaust Hood Type	
Domestic Dryer Models	Number of 90° Turns	Cat. No. WX8X59 (Preferred)	B	Cat. No. WX8X59 (Preferred)	B
		A 4" Opening	2-1/2" Opening	A 4" Opening	2-1/2" Opening
Super & Extra-Large Capacity Models All Electric Dryers	0	90 ft.	60 ft.	55 ft.	45 ft.
	1	60 ft.	45 ft.	40 ft.	30 ft.
	2	45 ft.	35 ft.	30 ft.	20 ft.
	3	35 ft.	25 ft.	20 ft.	15 ft.
Super & Extra-Large Capacity Models All Gas Dryers	4	25 ft.	15 ft.	15 ft.	10 ft.
	0	45 ft.	30 ft.	30 ft.	15 ft.
	1	35 ft.	20 ft.	20 ft.	10 ft.
	2	25 ft.	10 ft.	10 ft.	—
Large Capacity Electric and Gas Dryers	3	15 ft.	—	—	—
	0	60 ft.	48 ft.	30 ft.	18 ft.
	1	52 ft.	40 ft.	22 ft.	14 ft.
	2	44 ft.	32 ft.	14 ft.	10 ft.
3	32 ft.	24 ft.	—	— ft.	
4	28 ft.	16 ft.	—	— ft.	

HOTPOINT

NJSR453EWWW - GE Hotpoint 7.0 Cu. Ft. Super Capacity Electric Dryer



Features and Benefits

- 7.0 Cu. Ft. Capacity
- Automatic Dry Control
- 5 Cycles: Cottons, Permanent Press, 80 Minute Timed Dry,
- Damp Dry and De-Wrinkle
- 4 Heat Selections
- Dryer Interior Light
- Model NJSR453EWWW - White on white
- Model NJSR453EWAA - Almond on almond
- Model NJSR453GWWW - White on white
- Model NJSR453GWAA - Almond on almond

Specification Revised 8/99

Free Manuals Download Website

<http://myh66.com>

<http://usermanuals.us>

<http://www.somanuals.com>

<http://www.4manuals.cc>

<http://www.manual-lib.com>

<http://www.404manual.com>

<http://www.luxmanual.com>

<http://aubethermostatmanual.com>

Golf course search by state

<http://golfingnear.com>

Email search by domain

<http://emailbydomain.com>

Auto manuals search

<http://auto.somanuals.com>

TV manuals search

<http://tv.somanuals.com>