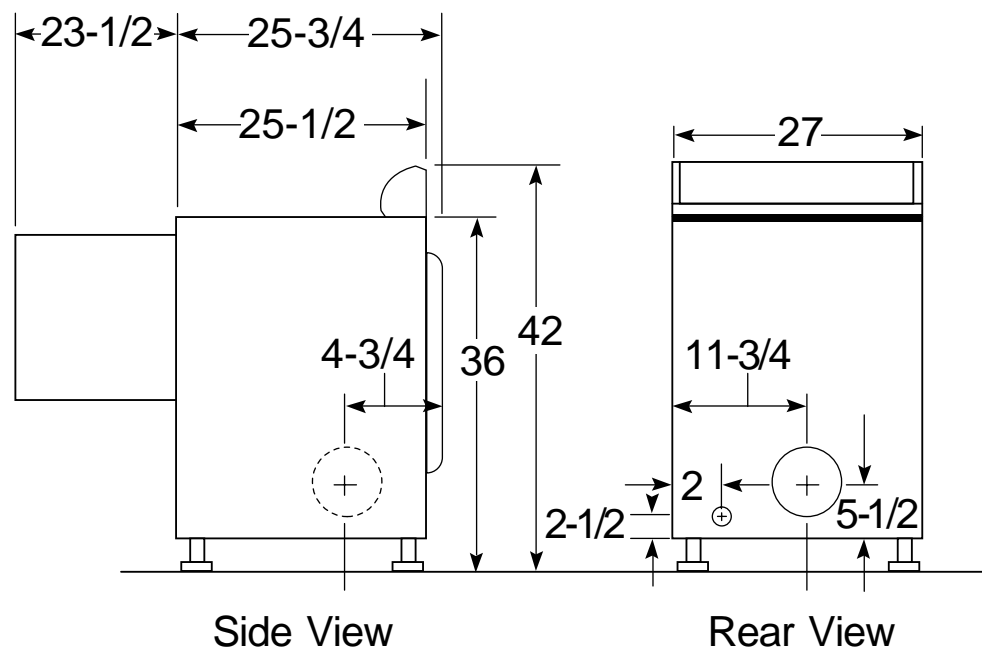


HOTPOINT

NVLR333GVWW—Hotpoint 5.4 Cu. Ft. Large Capacity Gas Dryer

Dryer Dimensions (in inches)



Exhaust Options:

3-way via rear, left and bottom. Dryer is shipped exhausted to the rear. Alternate exhausting knockouts are supplied.

Circuit Requirements:

An individual properly-grounded branch circuit, with a three-prong grounding-type receptacle, protected by a 15- or 20-amp circuit breaker or a time-delay fuse is required.

Gas Dryer Electric Rating:

120V, 60Hz, 15 Amp

Gas (BTU/HR): 22,000. Factory-equipped for natural gas. Tested for LP gas.

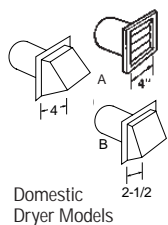
LP gas supply requires a conversion kit. Check installation instructions for correct kit and have a qualified gas technician install a conversion kit. See dryer ducting information for proper installation.

Installation Information: For complete information, see installation instructions packed with product for current dimensional data.

HOTPOINT

NVLR333GVWW—Hotpoint 5.4 Cu. Ft. Large Capacity Gas Dryer

Dryer Exhausting Information—Use Metal Duct Only



	Number of 90° Turns	Best Performance			
		Maximum Length of 4" Dia. Rigid Metal Duct		Maximum Length of 4" Dia. Flexible Metal Duct	
		Exhaust Hood Type		Exhaust Hood Type	
Domestic Dryer Models		Cat. No. WX8X59 (Preferred) A 4" Opening	B 2-1/2" Opening	Cat. No. WX8X59 (Preferred) A 4" Opening	B 2-1/2" Opening
Super & Extra-Large Capacity Models All Electric Dryers	0	90 ft.	60 ft.	55 ft.	45 ft.
	1	60 ft.	45 ft.	40 ft.	30 ft.
	2	45 ft.	35 ft.	30 ft.	20 ft.
	3	35 ft.	25 ft.	20 ft.	15 ft.
Super & Extra-Large Capacity Models All Gas Dryers	0	45 ft.	30 ft.	30 ft.	15 ft.
	1	35 ft.	20 ft.	20 ft.	10 ft.
	2	25 ft.	10 ft.	10 ft.	—
	3	15 ft.	—	—	—
Large Capacity Electric and Gas Dryers	0	60 ft.	48 ft.	30 ft.	18 ft.
	1	52 ft.	40 ft.	22 ft.	14 ft.
	2	44 ft.	32 ft.	14 ft.	10 ft.
	3	32 ft.	24 ft.	—	— ft.
	4	28 ft.	16 ft.	—	— ft.

For complete information, see installation instructions packed with your dryer.

Important Note:

GE Kit Number WE14X70 needed when converting rear exhaust to bottom or side. (On large capacity models.)

Ducting Materials:

For best performance, this dryer should be vented with 4" diameter all rigid metal exhaust duct. If "all rigid metal" duct cannot be used, then "flexible all metal" venting can be used, but it will reduce the maximum recommended duct length.

Exhaust Length Calculation:

- Determine the number of 90° turns needed for your installation. If you exhaust to the side or bottom of dryer, add one turn.
- The maximum length of 4" rigid (aluminum or galvanized) duct which can be tolerated is shown in the table. The maximum length for flexible ducts are less than for rigid duct.

A turn of 45° or less may be ignored. Two 45° turns within the duct length should be treated as a 90° elbow. A turn over 45° should be treated as a 90° elbow.

Exhausting the dryer to the outside is strongly recommended to prevent large amounts of moisture and lint from being blown into the room. Gas dryers or any dryer located in a closet **must** be exhausted to the outside.

Caution: For personal safety do not terminate exhaust into a chimney, under any enclosed house floor (crawl space), or into an attic, since the accumulated lint could create a fire hazard or moisture could cause damage. Never terminate the exhaust into a common duct or plenum with a kitchen exhaust, since the combination of lint and grease could create a fire hazard.

Exhaust ducts should be terminated in a dampered wall cap to prevent back drafts, bird nesting, etc. The wall cap must also be located at least 12" above the ground or any other obstruction with the opening pointed Down.

Other terminations, such as louvered wall boxes, are acceptable provided they are equivalent to a 4" opening dampered wall cap.

Special Installation Requirements

Alcove or Closet Installation:

- If your dryer is approved for installation in an alcove or closet, it will be stated on a label on the dryer back.
- The dryer **MUST** be exhausted to the outside.
- Minimum clearances between dryer cabinet and adjacent walls or other surfaces are:
 - 0" either side
 - 3" front and rear
- Minimum vertical space from floor to overhead cabinets, ceilings, etc. is 52".
- Closet doors must be louvered or otherwise ventilated and must contain a minimum of 60 sq. in. of open area equally distributed. If this closet contains both a washer and a dryer, doors must contain a minimum of 120 sq. in. of open area equally distributed.
- The closet should be vented to the outdoors to prevent gas pocketing in case of a gas leak in the supply line.
- No other fuel-burning appliance shall be installed in the same closet with the dryer.

Bathroom or Bedroom Installation:

- The dryer **MUST** be exhausted to the outdoors.
- The installation must conform with the local codes, or in the absence of local codes, with the National Fuel Gas Code, ANSI Z223.

Minimum Clearances other than Alcove or Closet Installation:

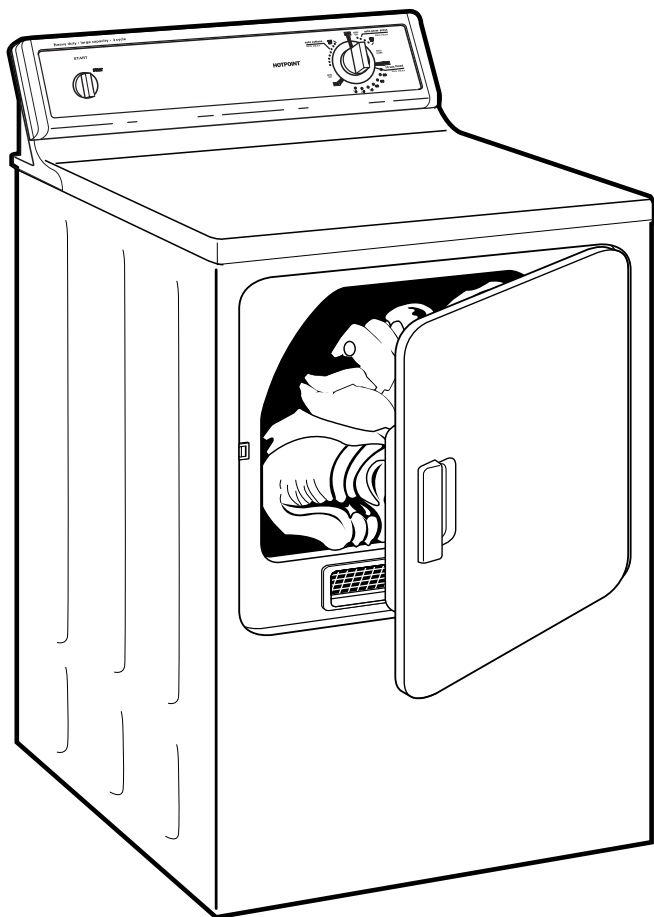
- Minimum clearances to combustible surfaces
 - 0" both sides
 - 3" rear

Specification Revised 8/99



HOTPOINT

NVLR333GVWW—Hotpoint 5.4 Cu. Ft. Large Capacity Gas Dryer



Features and Benefits

- Large Capacity (5.4 Cubic Feet)
- Automatic Dry Control
- 3 Cycle Selections: Cottons, Permanent Press, 70 Minute Timed Dry (No-Heat)
- 3 Heat Selections
- Up-Front Lint Filter
- Porcelain Drum Interior
- Front Serviceable
- Model NVLR333EVWW—White on White (Electric)
- Model NVLR333EVAA—Almond on Almond (Electric)
- Model NVLR333GVWW—White on White (Gas)
- Model NVLR333GVAA—Almond on Almond (Gas)

Free Manuals Download Website

<http://myh66.com>

<http://usermanuals.us>

<http://www.somanuals.com>

<http://www.4manuals.cc>

<http://www.manual-lib.com>

<http://www.404manual.com>

<http://www.luxmanual.com>

<http://aubethermostatmanual.com>

Golf course search by state

<http://golfingnear.com>

Email search by domain

<http://emailbydomain.com>

Auto manuals search

<http://auto.somanuals.com>

TV manuals search

<http://tv.somanuals.com>