

**GB**

English

**GB**

## Index

### Instructions for use

Installation, 4  
Use, 4  
Maintenance, 4

### Instructions for the installer

Installation, 6  
Positioning, 6  
Electrical connection, 6  
Heating elements, 6

### Assistance, 7

**C320IX**

**THIS APPLIANCE IS CONCEIVED FOR DOMESTIC USE ONLY. THE MANUFACTURER SHALL NOT IN ANY WAY BE HELD RESPONSIBLE FOR WHATEVER INJURIES OR DAMAGES ARE CAUSED BY INCORRECT INSTALLATION OR BY UNSUITABLE, WRONG OR ABSURD USE.**

### Dear customer,

We thank you and congratulate you on your choice. This new carefully designed product, manufactured with the highest quality materials, has been carefully tested to satisfy all your cooking demands. We would therefore request you to read and follow these easy instructions which will allow you to obtain excellent results right from the start. May we wish you all the very best with your modern appliance!

**THE MANUFACTURER**

# Instructions for use

GB

## Installation

All operations relative to installation (electric connection) should be carried out by skilled personnel in conformity with the rules in force. As for the specific instructions see part pertaining to installer.

## Use

### Heating elements - Manual control

#### (Fig. 1-2)

Rotate the knob concerned to the position correspondent to the needs of cooking taking into consideration that to a higher number a higher heat supply corresponds, see table "use of heating elements".

When pilot lights are lit, they indicate the top temperature at the indicated spot is higher than 50° C.

**Some types of pilot lights will maintain some slight luminescence even after disconnection. That is quite normal.**

**N.B.** - When one makes use of heating elements, we advise receptacles with flat bottom (Fig. 3) having same diameter or lightly higher than that of the hot area.

- Avoid overflows of liquid, therefore when boiling has happened, or in any case when liquid is heated, reduce the heat supply.
- Don't leave the heating elements on without receptacles on the top or with void pots and pans.

In the event of even a slight fracture on the cooking surface, disconnect the electric power supply immediately.

### Maintenance (Fig. 3)

First of all remove stray food bits and grease drops from the cooking surface with the special scraper (fig. 4). Then clean the hot area as best as possible with SIDOL, STAHLFE or other similar products with a papertowel, then rinse again with water and dry with a dean cloth. Pieces of aluminum foil and plastic material which have inadvertently melted or sugar remains or highly sacchariferous food have to be removed immediately from the hot cooking area with the special scraper (fig. 4) -This is to avoid any possible damage to the surface of the top. Under no circumstances should abrasive sponges or irritating chemical detergents be used such as oven sprays or spot removers.

**DO NOT USE STEAM CLEANERS**

Fig.1

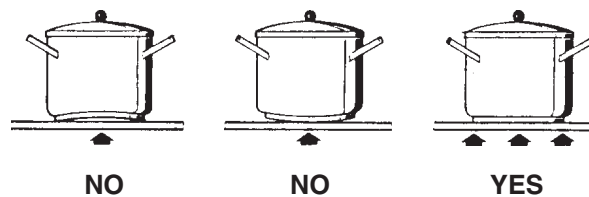
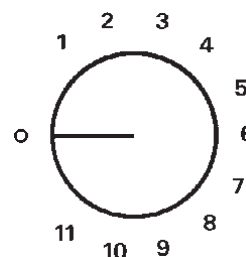


Fig.2



### USE OF THE HEATING ELEMENTS

energy regulator	intensità calore
1 - 2	Weak
3 - 4	Gentle
5 - 6	Slow
7 - 8	Medium
9 - 10	Strong
10 - 11	Bright

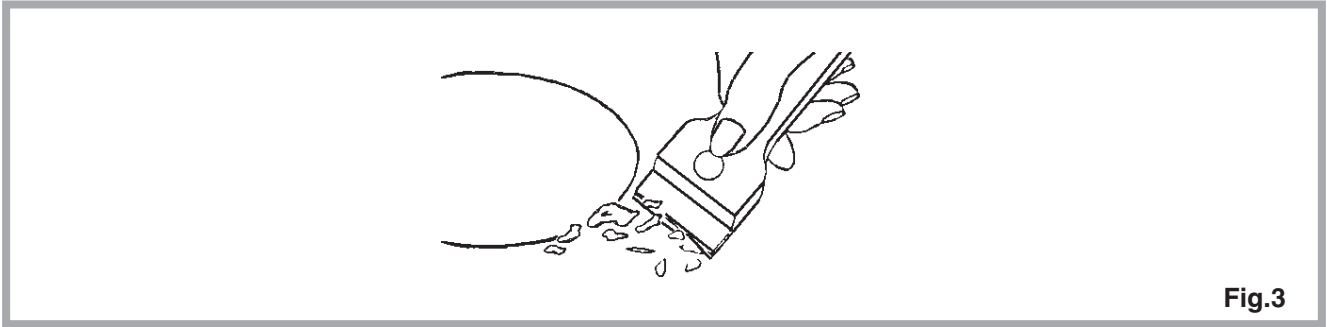


Fig.3

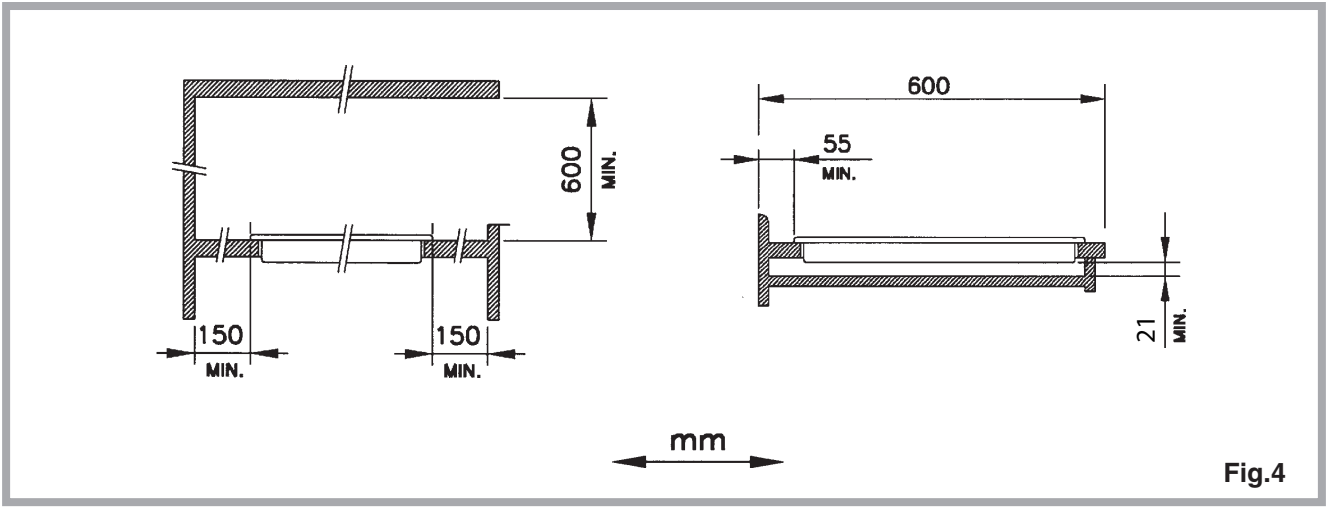


Fig.4

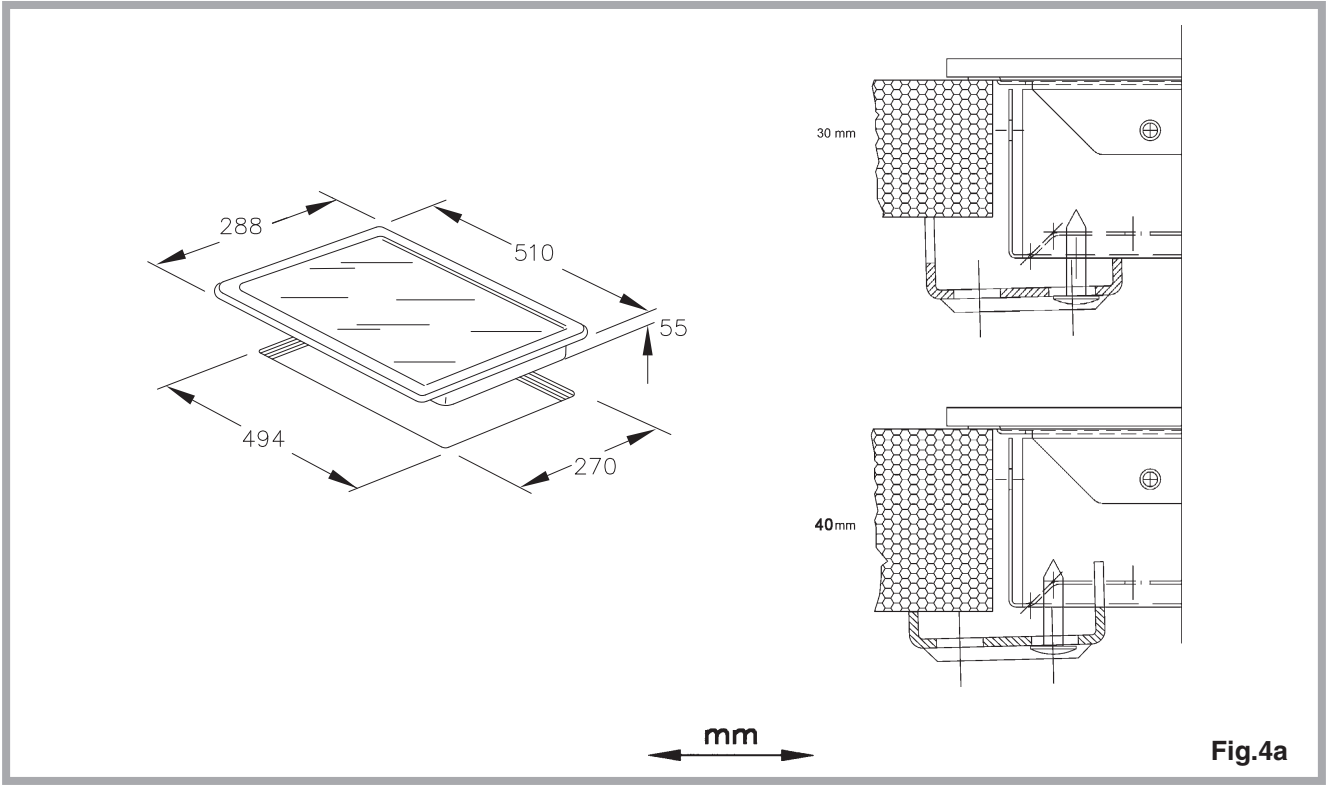


Fig.4a

# Instructions for the installer

GB

## Installation

These Instructions are for the qualified technician, as a guide to the installation, adjustment and maintenance, according to the laws and standards in force. Any of these operations must always be carried out when the appliance has been disconnected from the electric system.

## Positioning (Fig. 4-4a)

The appliance can be fitted into a working area as illustrated on the figure. Apply the seal supplied over the whole perimeter of the working area.

## Electrical connection (Fig. 5)

Prior to carrying out the electrical connection, please ensure that:

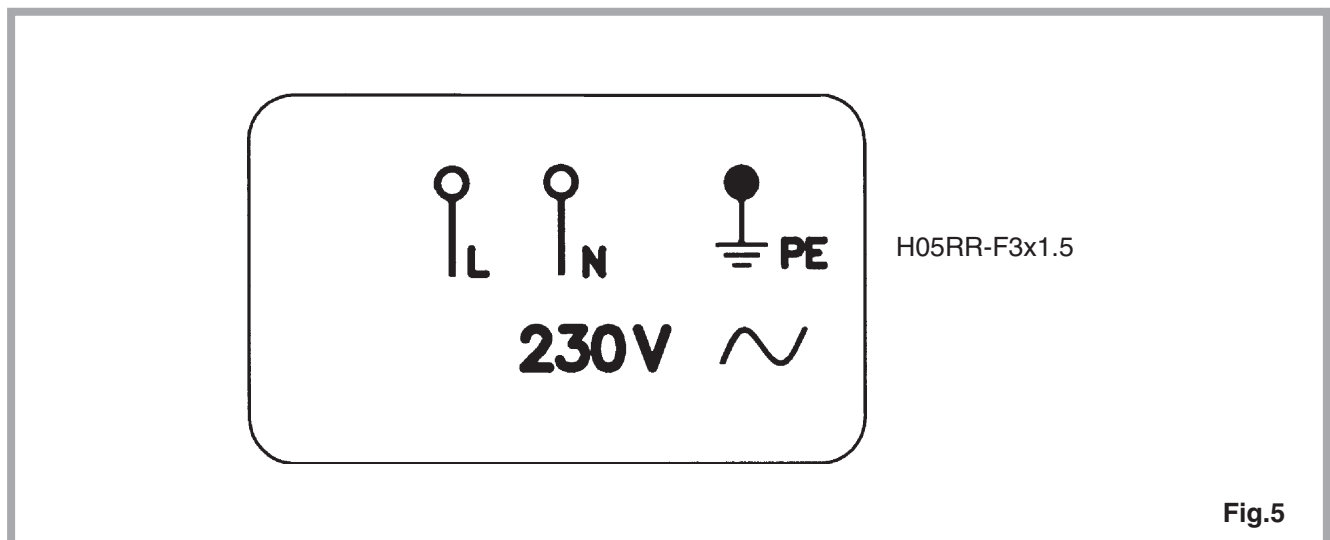
- the plant characteristics are such as to follow what is indicated on the matrix plate placed at the bottom of the working area;
- that the plant is fitted with an efficient earth connection, following the standards and law provisions in force.

The earth connection is compulsory in terms of the law. Should there be no cable and/or plug on the equipment, use suitable absorption material for the working temperature as well, as indicated on the matrix plate. Under no circumstance must the cable reach a temperature above 50°C of the ambient temperature. If connecting directly to the mains power supply, fit a multi-pole switch of a suitable size for the rated capacity with a clearance distance which completely disconnects the power line under overvoltage category III conditions, consistently with the rules of installation (the yellow/green earth wire must not be interrupted). The plug or omnipolar switch must be easily reached on the installed equipment.

**N.B.:** - The manufacturers decline any responsibility in the event of non-compliance with what is described above and the accident prevention norms not being respected and followed.

**To avoid all risk, if the power cable becomes damaged, it must only be replaced by the manufacturer, by an authorised service centre, or by a qualified electrician.**

HEATING ELEMENTS					
V	TYPE		W	REGULATION	
~ 230 V	single-circuit radiant	Ø 145	1200	energy regulator	0+11
	single-circuit radiant	Ø 180 - Ø 195	1700-1900	energy regulator	0+11



## Before contacting After-Sales Service:

1. See if you can solve the problem yourself.
2. Switch the appliance on again to see if the problem has been solved. If it has not, disconnect the appliance from the power supply and wait for about an hour before switching on again.
3. If the problem persists after this course of action, contact After-Sales Service.

## Specify:

- the nature of the fault,
- the model
- the service number (the number after the word SERVICE on the rating plate on the rear of the appliance)
- your full address,
- your telephone number and area code.

**Never call on unauthorized technicians and always refuse to purchase non-original spare parts.**

The manufacturer declines all responsibility for possible inaccuracies contained in this pamphlet, due to printing or copying errors. We reserve the right to make on our own products those changes to be considered necessary or useful, without jeopardizing the essential characteristics.





## Free Manuals Download Website

<http://myh66.com>

<http://usermanuals.us>

<http://www.somanuals.com>

<http://www.4manuals.cc>

<http://www.manual-lib.com>

<http://www.404manual.com>

<http://www.luxmanual.com>

<http://aubethermostatmanual.com>

Golf course search by state

<http://golfingnear.com>

Email search by domain

<http://emailbydomain.com>

Auto manuals search

<http://auto.somanuals.com>

TV manuals search

<http://tv.somanuals.com>