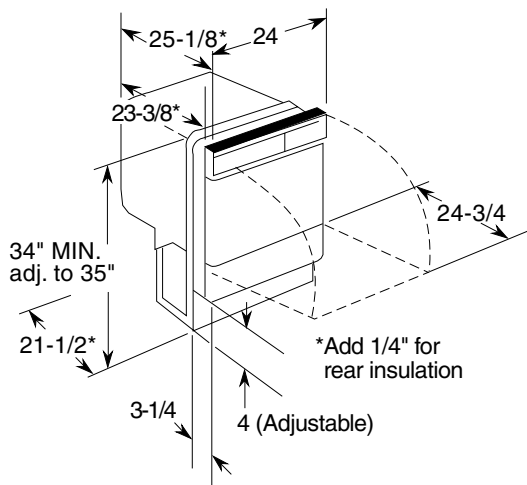


HOTPOINT

HDA3200FAA/BB/WW - Hotpoint Built-In Dishwasher

Dishwasher Dimensions (in inches)

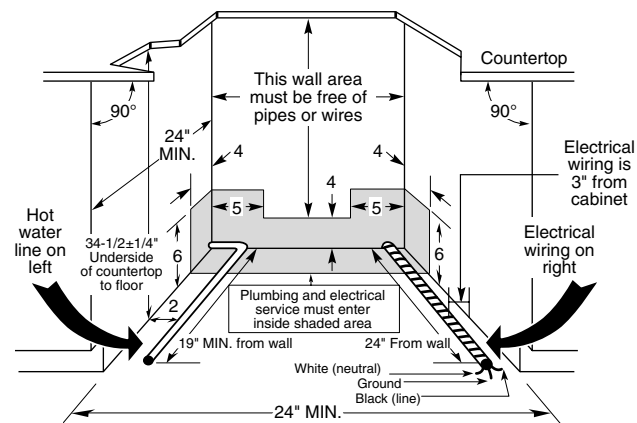


Electrical Rating

Voltage AC.....120
 Hertz60
 Total connected load amperage.....8.6
 Calrod® heater watts.....500
 For use on adequately wired 120-volt, 15-amp circuit having 2-wire service with a separate ground wire. This appliance must be grounded for safe operation.

Specification Created 10/00

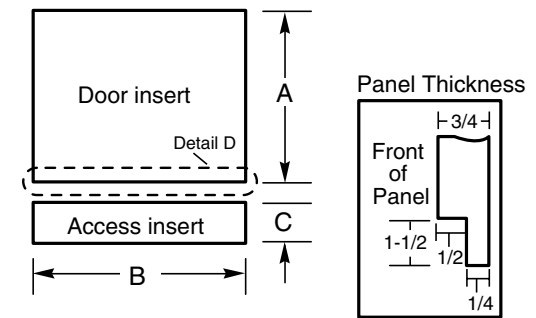
Installation Information (in inches)



Note: Dishwasher must not be installed more than 10' from sink for proper drainage. All plumbing and electrical work must be in accordance with local codes. Dishwasher includes drain hose and leveling legs.

Installation Information: Before installing, consult installation instructions packed with product for current dimensional data.

Wood Insert Cut-Out Dimensions (in inches)



| Models/Kits | A | B | C | Panel Thickness |
|-------------|-----------|----------|---------------------|-----------------|
| GPF325 Kit | 18-7/8" | 23-9/16" | 3-11/16" | 1/4" |
| GPF375 Kit | 18-15/16" | 23-5/8"* | 4-1/4" to 3-3/4"*** | 3/4" |

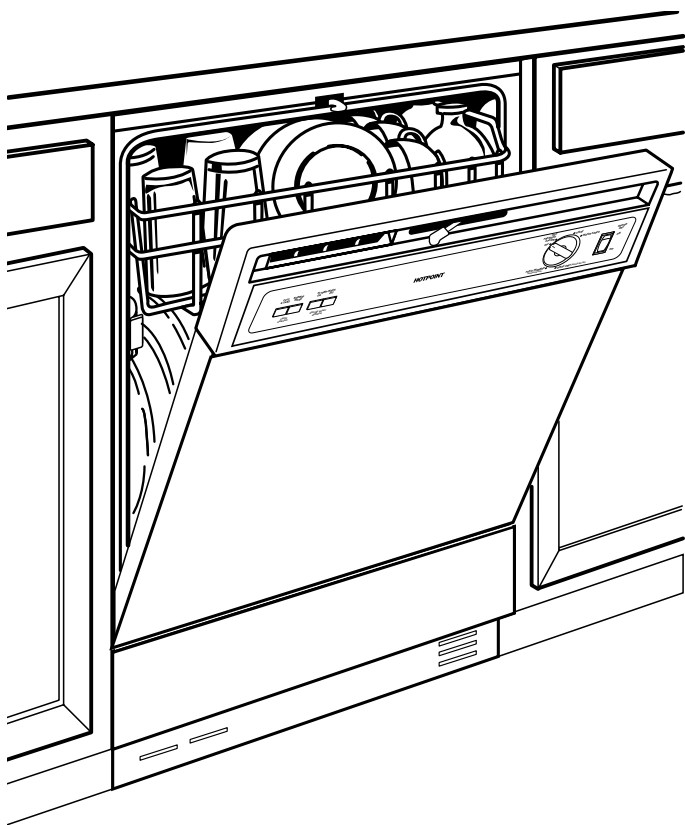
*Bottom of panel must be notched 1-1/2" x 1/2" to clear access panel. (See illustration above)

***Adjustment required to match adjacent cabinets fronts due to leveling leg adjustment, 4" nominal.



HOTPOINT

HDA3200FAA/BB/WW - Hotpoint Built-In Dishwasher



Features and Benefits

- Power Wash II System with Self-Cleaning Filter
- 5 Cycle / 22 Options
- Cycles: Pots & Pans, Normal Wash, Water Saver, Plate Warmer and Rinse Only
- Hi-Temp Wash
- Heated Dry On/Off
- Hot Prewash Option (Dial)
- 3 Wash Levels
- Deluxe Upper Rack
- Deluxe Flat Lower Rack
- Deluxe Silverware Basket
- Rinse Aid Dispenser
- Trimless Appearance
- QuietPower™ Motor
- Standard Sound Insulation Package
- Model HDA3200FWW - White on white
- Model HDA3200FBB - Black on black
- Model HDA3200FAA - Almond on almond

Specification Created 10/00

Free Manuals Download Website

<http://myh66.com>

<http://usermanuals.us>

<http://www.somanuals.com>

<http://www.4manuals.cc>

<http://www.manual-lib.com>

<http://www.404manual.com>

<http://www.luxmanual.com>

<http://aubethermostatmanual.com>

Golf course search by state

<http://golfingnear.com>

Email search by domain

<http://emailbydomain.com>

Auto manuals search

<http://auto.somanuals.com>

TV manuals search

<http://tv.somanuals.com>