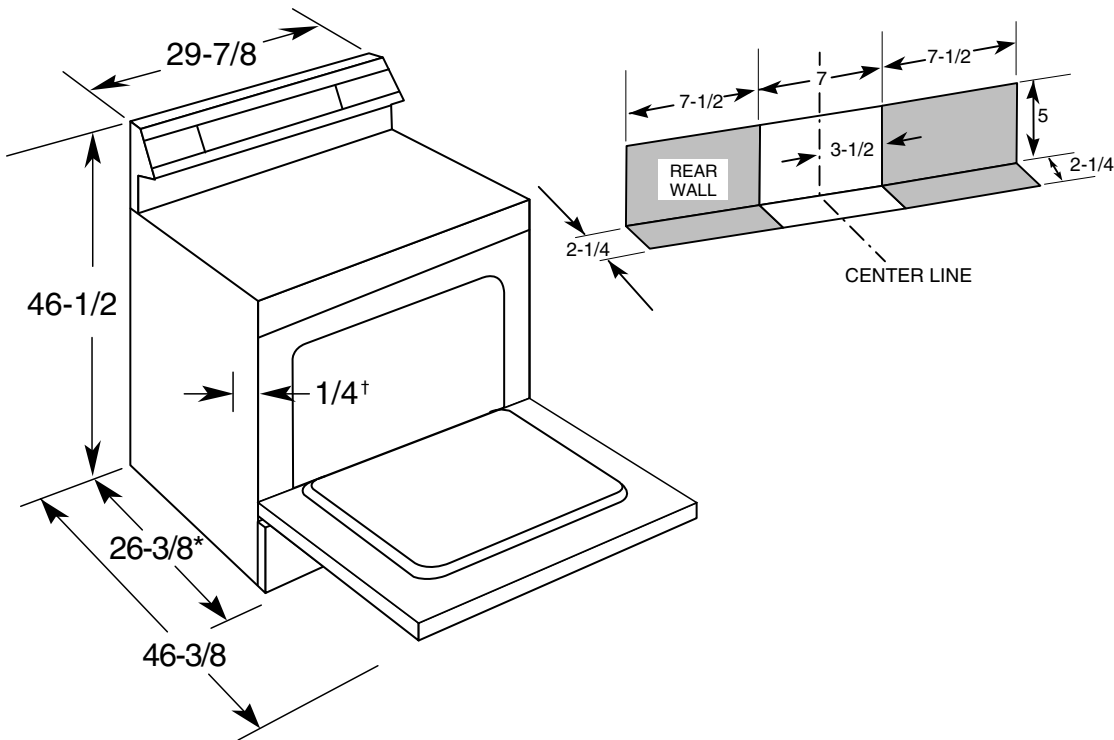


# HOTPOINT

## RB530WCWW—Hotpoint 5.0 Cu. Ft. Free-Standing Electric Range

### Dimensions (in inches)



KW Rating	
240V	12.6
208V	9.9

**Receptacle Locations:** For 30" Free-Standing Ranges locally approved flexible service cord or conduit must be used because terminals are not accessible after range installation. See shaded area in drawing for location of electrical outlet box. Recommended outlet locations allow range to be installed directly against rear wall.

**Note:** 30" Ranges conform to U.L. requirements for 0" spacing from adjacent walls above countertops. However, some kitchen cabinet finishes can be damaged by heat from the range heating elements. It is recommended that a clearance of at least 1-1/2" be maintained to walls. Where varnished wood or plastic film finishes are used, a minimum clearance of 6" should be maintained.

**Installation Information:** Before installing, consult installation instructions packed with product for current dimensional data.

\*Dimensions from wall to front of closed oven door.  
 Dimensions from wall to front of closed oven door handle is 28-1/2".

†The range may be placed with a 0" clearance (flush) at the back walls if the range side trims extend beyond the cabinet fronts at least 1/4".

Self-Clean models only.

Specification Revised 6/00



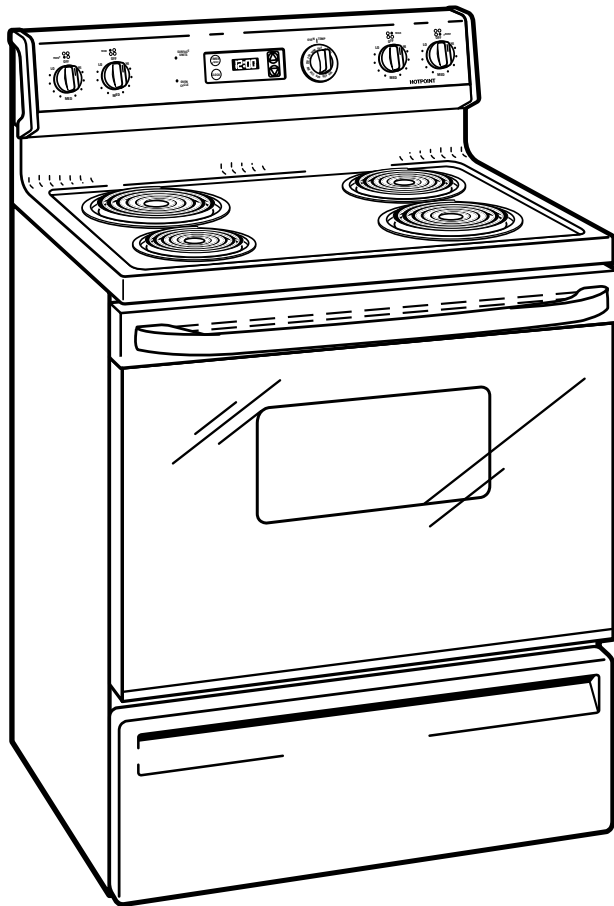
All GE ranges are equipped with an Anti-Tip device. The installation of this device is an important, required step in the installation of the range.



Listed by  
 Underwriters  
 Laboratories

# HOTPOINT

## RB530WCWW—Hotpoint 5.0 Cu. Ft. Free-Standing Electric Range



### Features and Benefits

- Super Large 5.0 cu. ft. Oven Capacity
- Upswept Porcelain-Enameled Cooktop
- Two 8" and Two 6" Plug-In Calrod® Heating Elements
- Electronic Clock and Kitchen Timer
- Standard Clean Oven
- Chrome Removable One-Piece Drip Bowls
- 2 Oven Shelves
- Interior Oven Light
- Surface Element "On" Light
- Oven "On" Light
- Frameless Glass Oven Door With Window
- Designer Style Handle
- Storage Drawer
- Model RB530WCWW - White on white

Specification Revised 6/00

## Free Manuals Download Website

<http://myh66.com>

<http://usermanuals.us>

<http://www.somanuals.com>

<http://www.4manuals.cc>

<http://www.manual-lib.com>

<http://www.404manual.com>

<http://www.luxmanual.com>

<http://aubethermostatmanual.com>

Golf course search by state

<http://golfingnear.com>

Email search by domain

<http://emailbydomain.com>

Auto manuals search

<http://auto.somanuals.com>

TV manuals search

<http://tv.somanuals.com>