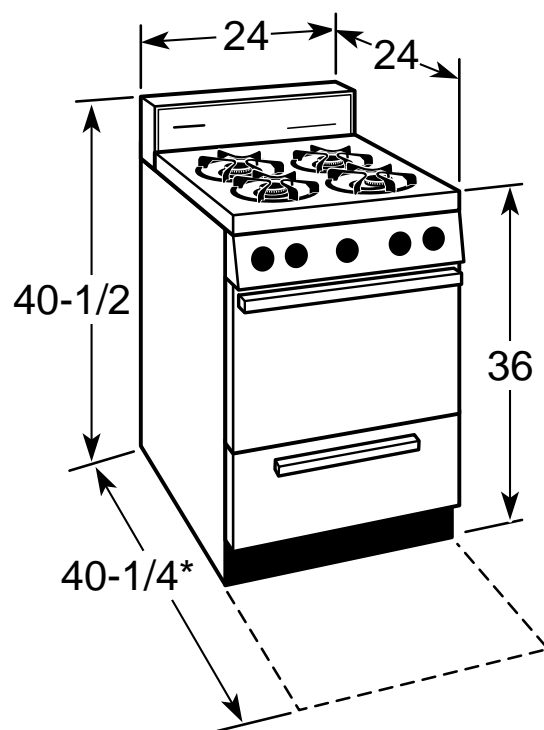


HOTPOINT

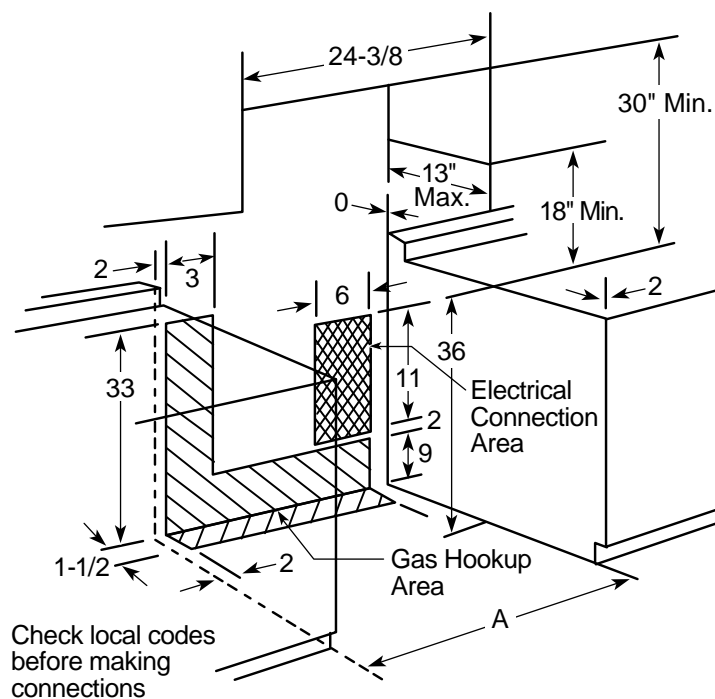
RGA524PW—24" Compact Gas Range

Dimensions (in inches)



*Depth including up-front angled control panel

Installation Information (in inches)



Electrical Rating: 120V, 60Hz, 5A

Installation Information: Before installing, consult installation instructions packed with product for current dimensional data.

For answers to your GE Monogram™, GE Profile™, GE, Hotpoint and RCA appliance questions, call GE Answer Center® service, 800.626.2000.

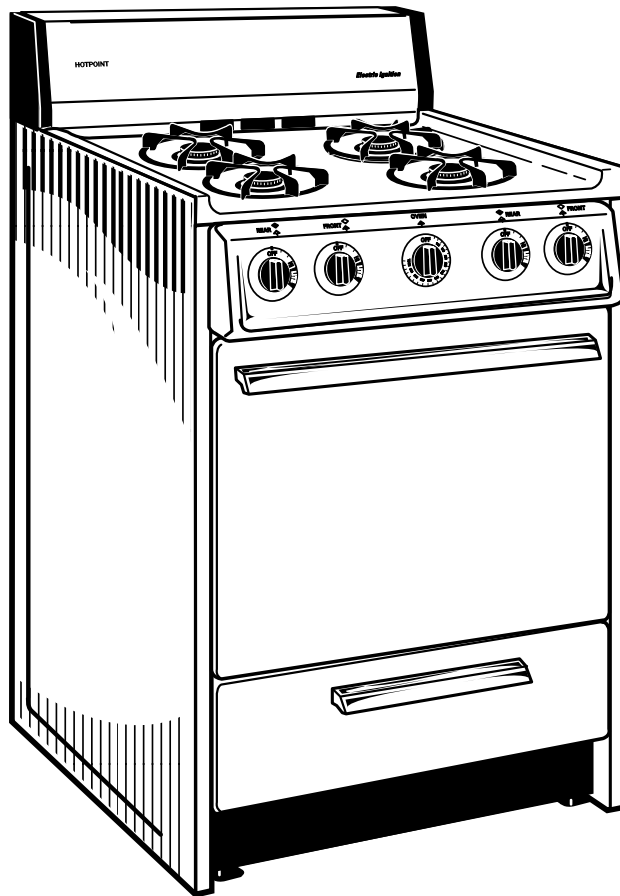


All GE ranges are equipped with an Anti-Tip device. The installation of this device is an important, required step in the installation of the range.



HOTPOINT

RGA524PW—24" Compact Gas Range



Features and Benefits

- Available In White and Almond
- Recessed Lift-Up Cooktop
- Standard Clean Oven
- Standing Pilot Ignition System
- Push-To-Turn Controls
- Round Grates
- Separate Broiler Drawer (With Tip-Down Door)
- Porcelain-Enameled Broiler Pan With Grid
- 2 Oven Shelves
- Solid Color-Matched Porcelain-Enameled Oven Door
- Also Available With Electronic Ignition as Model RGA524EW

Free Manuals Download Website

<http://myh66.com>

<http://usermanuals.us>

<http://www.somanuals.com>

<http://www.4manuals.cc>

<http://www.manual-lib.com>

<http://www.404manual.com>

<http://www.luxmanual.com>

<http://aubethermostatmanual.com>

Golf course search by state

<http://golfingnear.com>

Email search by domain

<http://emailbydomain.com>

Auto manuals search

<http://auto.somanuals.com>

TV manuals search

<http://tv.somanuals.com>