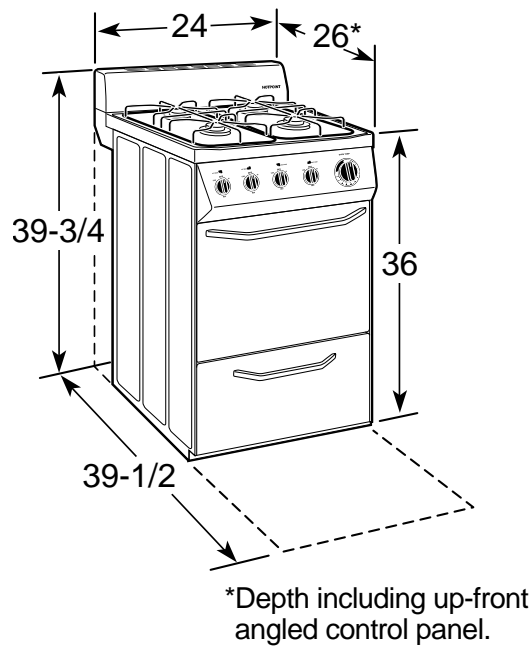


# HOTPOINT®

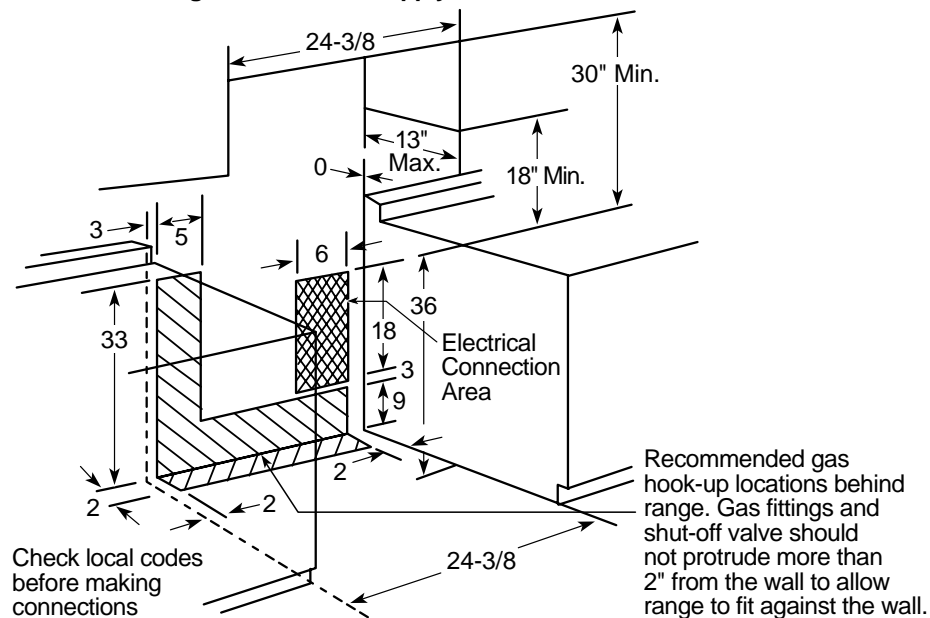
## RGA624PF – Hotpoint 24" Free-Standing Gas Range

### Dimensions (in inches)



### Installation Information (in inches)

#### Recommended gas and electric supply locations.



**Electrical Rating:** 120V, 60Hz, 5A

**Installation Information:** Before installing, consult installation instructions packed with product for current dimensional data.

**Note:** LP conversion kit is NOT required for this model.

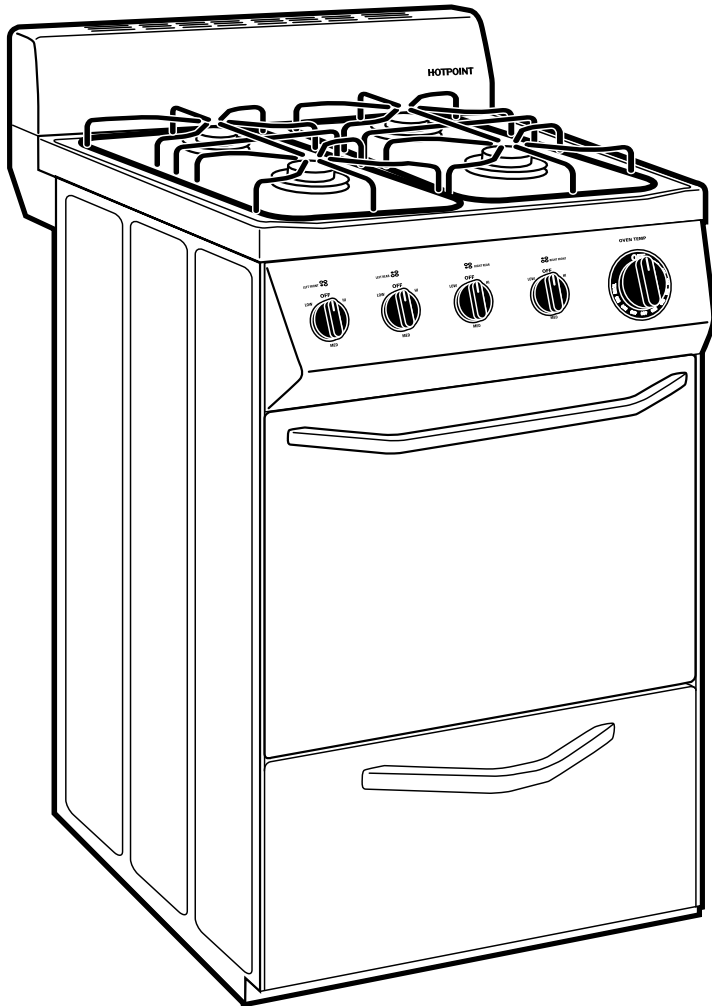


All Hotpoint ranges are equipped with an Anti-Tip device. The installation of this device is an important, required step in the installation of the range.



# HOTPOINT®

## RGA624PF – Hotpoint 24" Free-Standing Gas Range



### Features and Benefits

- Recessed Lift-Up Cooktop with Easy-Clean Subtop
- Standard Clean Oven
- 4 Standard Burners
- Rectangular Burner Grates
- Standing-Pilot Ignition System
- Push-To-Turn Controls
- Separate Broiler Drawer (with Tip-Down Door)
- Model RGA624PFWH – White

## Free Manuals Download Website

<http://myh66.com>

<http://usermanuals.us>

<http://www.somanuals.com>

<http://www.4manuals.cc>

<http://www.manual-lib.com>

<http://www.404manual.com>

<http://www.luxmanual.com>

<http://aubethermostatmanual.com>

Golf course search by state

<http://golfingnear.com>

Email search by domain

<http://emailbydomain.com>

Auto manuals search

<http://auto.somanuals.com>

TV manuals search

<http://tv.somanuals.com>