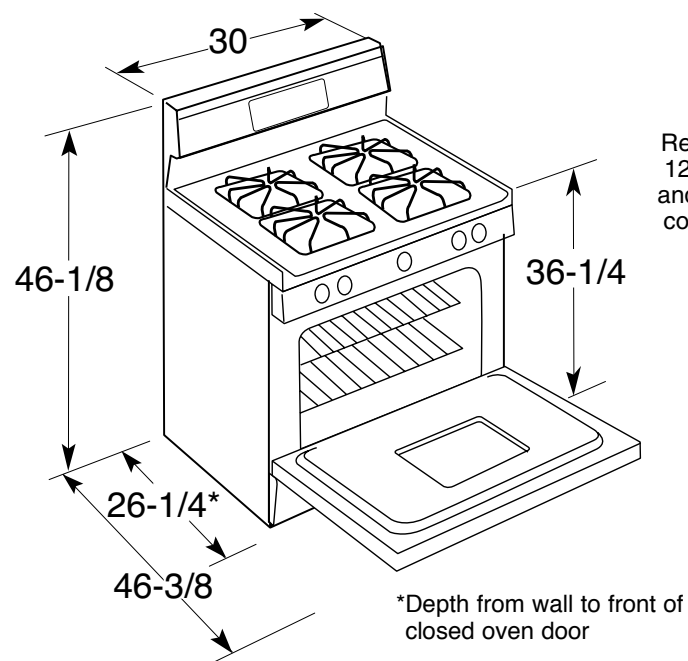


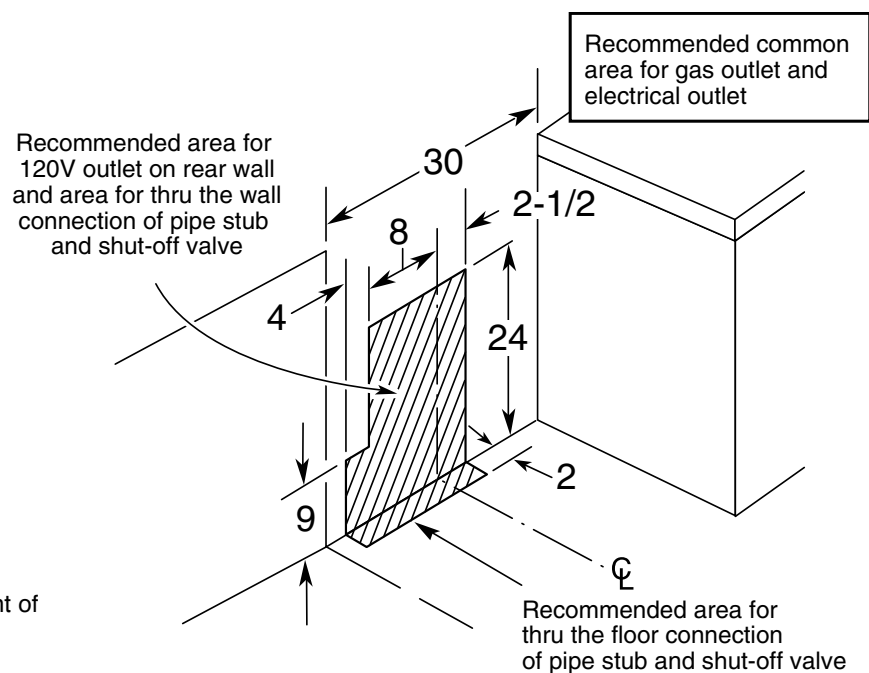
# HOTPOINT®

## RGB526DET – Hotpoint 30" Free-Standing Gas Range

### Dimensions (in inches)



### 30" Gas Range Installation Information (in inches)



**Installation Information:** Before installing, consult installation instructions packed with product for current dimensional data.

**Optional gas range accessory drip pans:**  
(Available at additional cost)  
To order these accessory drip pans, call toll-free 800-626-2002.

Specification Created 5/11  
430167

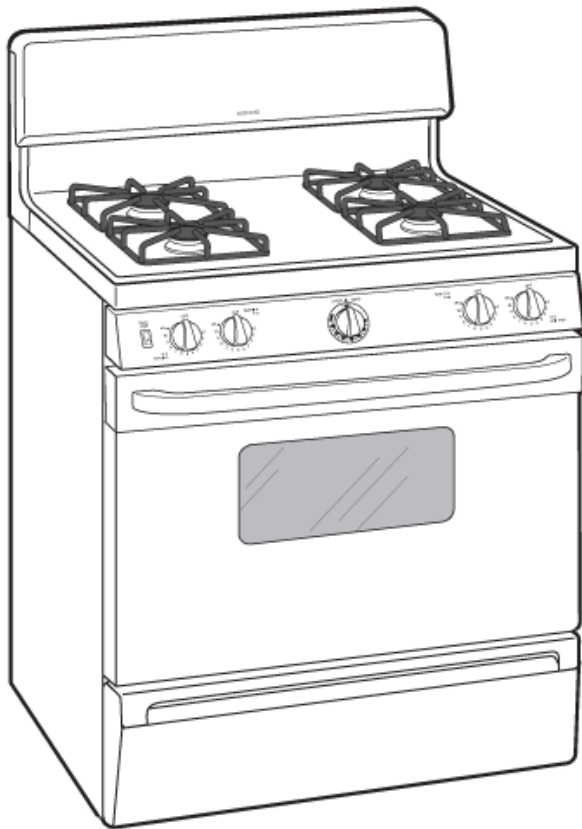


All Hotpoint ranges are equipped with an Anti-Tip device. The installation of this device is an important, required step in the installation of the range.



# HOTPOINT®

## RGB526DET – Hotpoint 30" Free-Standing Gas Range



### Features and Benefits

- 4.8 cu. ft. capacity - More room for cooking more dishes at once
- Sealed cooktop burners - Burner elements are sealed to the cooktop to keep foods and liquid contained on the cooktop, making cleaning painless
- Standard clean oven - Smooth surface and rounded corners make clean-up quick and easy
- All purpose burners - All-purpose burner delivers two levels of BTU output to accommodate virtually all your cooking needs
- Standard grates - Quality grates keep pots and pans securely in place over the burners
- Model RGB526DETVH – White on white
- Model RGB526DETVB – Black on black

Specification Created 6/11

430167

## Free Manuals Download Website

<http://myh66.com>

<http://usermanuals.us>

<http://www.somanuals.com>

<http://www.4manuals.cc>

<http://www.manual-lib.com>

<http://www.404manual.com>

<http://www.luxmanual.com>

<http://aubethermostatmanual.com>

Golf course search by state

<http://golfingnear.com>

Email search by domain

<http://emailbydomain.com>

Auto manuals search

<http://auto.somanuals.com>

TV manuals search

<http://tv.somanuals.com>