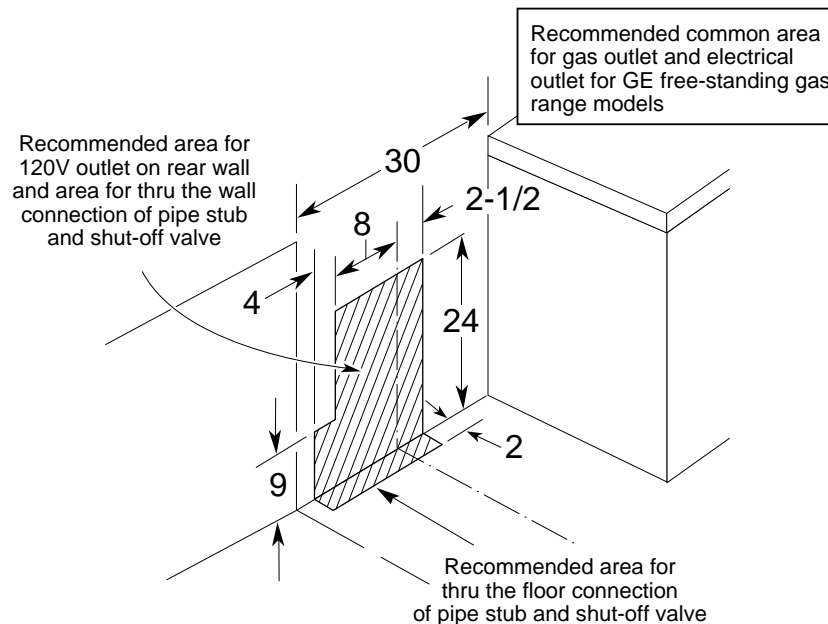
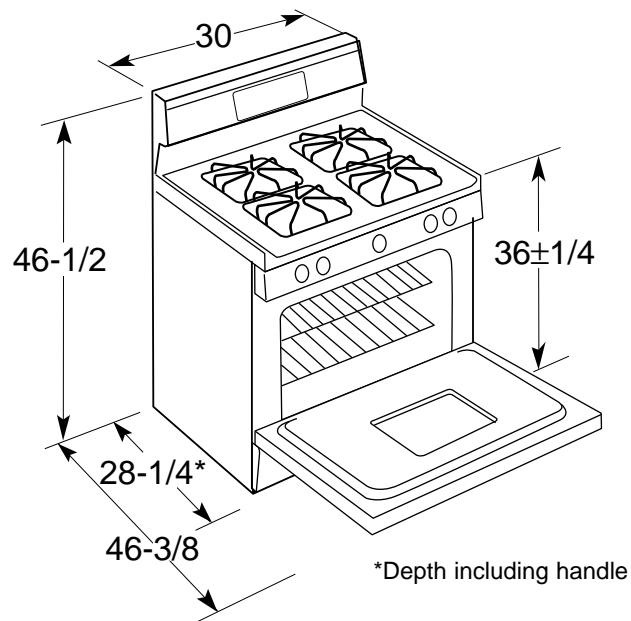


HOTPOINT

RGB533WEW—30" Gas Range

Dimensions (in inches)



Electrical Rating: 120V, 60Hz, 5A

Installation Information:

Dimensions shown here are the same as those shown on the installation instructions at the time this sheet was printed. Before proceeding with installation, see your Hotpoint supplier for latest detailed preparation and installation instructions or install from the instructions packed with each unit.

For answers to your GE Monogram™, GE Profile™, GE, Hotpoint and RCA appliance questions, call GE Answer Center® service, 800.626.2000.

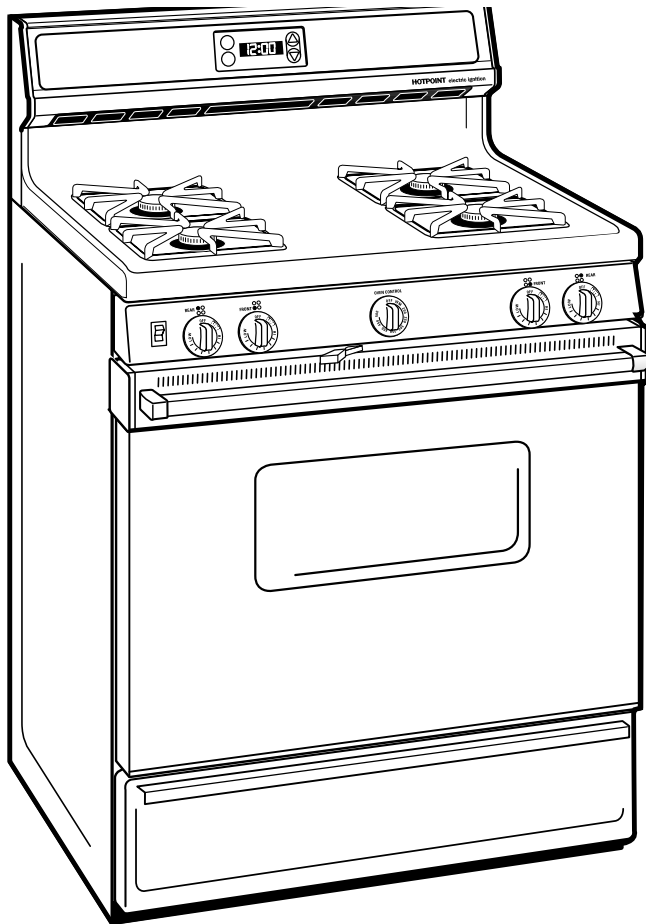


All GE ranges are equipped with an Anti-Tip device. The installation of this device is an important, required step in the installation of the range.



HOTPOINT

RGB533WEW—30" Free-Standing Gas Range



Features and Benefits

- White on white Model
- Upswept Porcelain-Enameled Cooktop
- Sealed Cooktop Burners
 - (1) 12,000/1,000 BTU Performance Plus Burner
 - (1) 5,000/600 BTU Simmer Burner
 - (2) 9,500/850 BTU All-Purpose Burners
- Removable Grey Square Grates
- Extra-Large Standard Cleaning Oven
- Electronic Ignition System
- Electronic Clock and Timer
- Slide-Out Broiler Drawer
- 2 Oven Shelves/6 Embossed Rack Positions
- Frameless White Glass Oven Door With Window
- Visor-Style Handle

Free Manuals Download Website

<http://myh66.com>

<http://usermanuals.us>

<http://www.somanuals.com>

<http://www.4manuals.cc>

<http://www.manual-lib.com>

<http://www.404manual.com>

<http://www.luxmanual.com>

<http://aubethermostatmanual.com>

Golf course search by state

<http://golfingnear.com>

Email search by domain

<http://emailbydomain.com>

Auto manuals search

<http://auto.somanuals.com>

TV manuals search

<http://tv.somanuals.com>