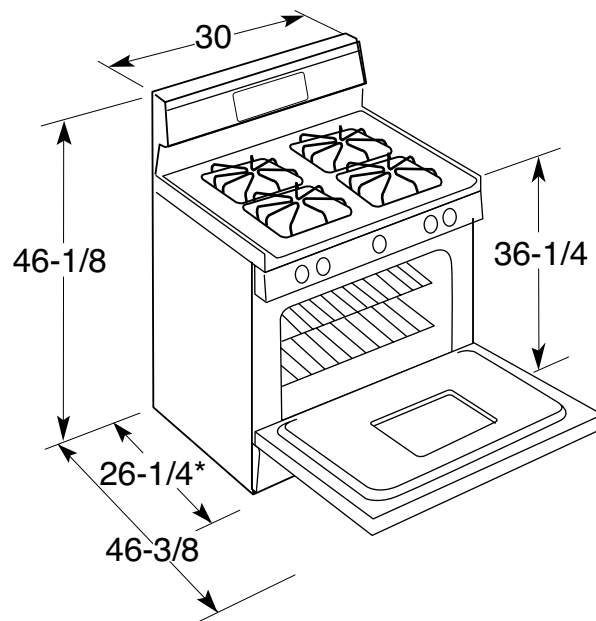


# HOTPOINT®

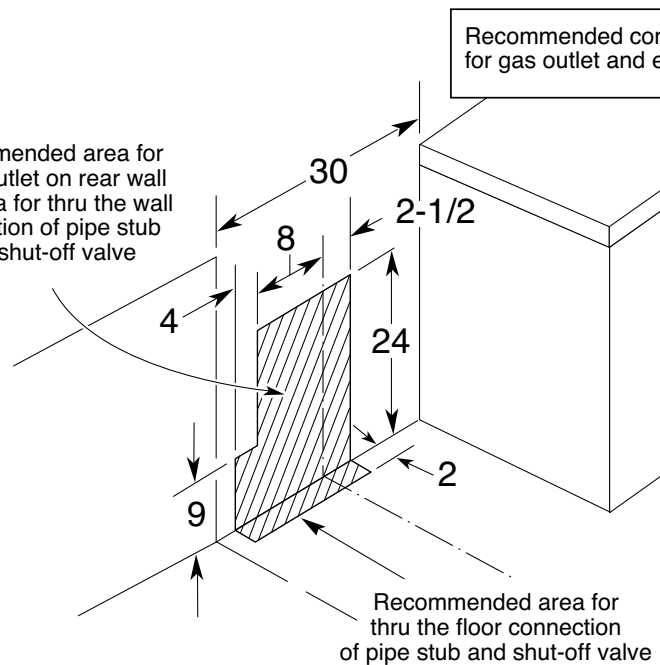
## RGB790SEP – Hotpoint 30" Free-Standing Gas Range

### Dimensions (in inches)



\*Depth from wall to front of closed oven door.

Recommended area for 120V outlet on rear wall and area for thru the wall connection of pipe stub and shut-off valve



**Installation Information:** Before installing, consult installation instructions packed with product for current dimensional data.

**Optional gas range accessory drip pans:**  
(Available at additional cost)  
To order these accessory drip pans, call toll-free 800-626-2002.

Specification Created 12/08

430182

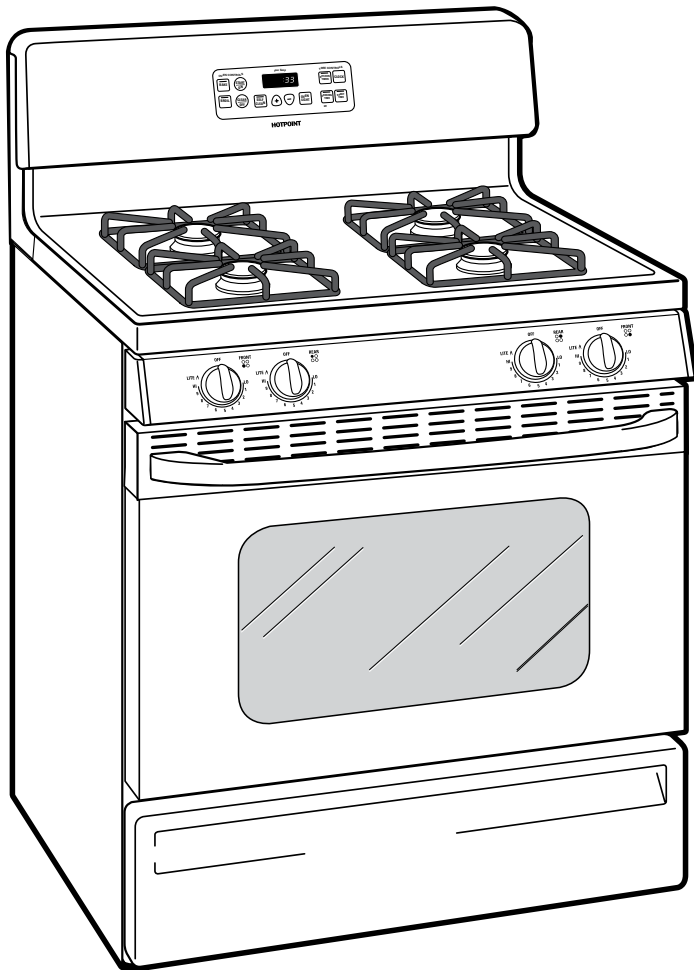


All Hotpoint ranges are equipped with an Anti-Tip device. The installation of this device is an important, required step in the installation of the range.



# HOTPOINT®

## RGB790SEP – Hotpoint 30" Free-Standing Gas Range



### Features and Benefits

- Self-Clean Oven - Conveniently cleans the oven cavity without the need for scrubbing
- Extra-Large Oven Capacity - Provides a large oven interior ideal for cooking more items at once
- Sealed Cooktop Burners - Eliminate the space between the burners and the cooktop to help contain spills and boil over liquids, ensuring easy cleanup
- Performance Plus Burner - Provides a maximum output of 12,000 BTUs for fast heat-up and boiling
- Simmer Burner - Provides low, even heat distribution for delicate foods and sauces
- All Purpose Burners - Deliver a wide range of heat output ideal for most cooking requirements
- Two removable oven racks - Make room for up to six plates or three 9" x 13" casserole dishes
- Porcelain Upswept Cooktop - Features raised edges to help contain spills and make clean-up easy
- Big ClearView™ Window - An extra large clear window makes monitoring the progress of food easy
- Heavy Steel Grates - Constructed from quality steel for long-lasting performance and durability
- EasySet III Controls - Features a smooth glass design that's easy-to-operate and easy-to-clean
- Model RGB790SEPSA – Silver metallic

Specification Created 12/08

430182

## Free Manuals Download Website

<http://myh66.com>

<http://usermanuals.us>

<http://www.somanuals.com>

<http://www.4manuals.cc>

<http://www.manual-lib.com>

<http://www.404manual.com>

<http://www.luxmanual.com>

<http://aubethermostatmanual.com>

Golf course search by state

<http://golfingnear.com>

Email search by domain

<http://emailbydomain.com>

Auto manuals search

<http://auto.somanuals.com>

TV manuals search

<http://tv.somanuals.com>