



kitchen think

Instructions for Installation and Use

**Electric Hood
Model HDI90X**

To the Installer

**Before installation fill in the product details on the back cover of this book.
The information can be found on the rating plate.**

To the User

**You must read the instructions prior to installing and using the appliance and
then retain them for future reference.**

CONTENTS

| | |
|----------------------------------|------------|
| RECOMMENDATIONS AND SUGGESTIONS | 3 |
| INSTALLATION | 4 - 9 |
| ELECTRICAL CONNECTION | 10 |
| GETTING TO KNOW YOUR COOKER HOOD | 11 |
| CARE AND CLEANING | 12 |
| AFTER SALES SERVICE | 14 |
| GUARANTEE | 15 |
| KEY CONTACTS | Back Cover |



CE marking certifies that this appliance conforms to the following EEC directives:-

- Low Voltage Equipment 72/23/EEC
- Electromagnetic Compatibility 89/336/EEC

Retention of this Instruction Book

This Instruction Book must be kept handy for reference as it contains important details on the safe and proper use of the appliance.

If you sell or pass the appliance to someone else, or move house and leave it behind, make sure this Book is also provided so the new owner can become familiar with the appliance and safety warnings.

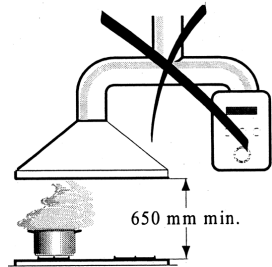
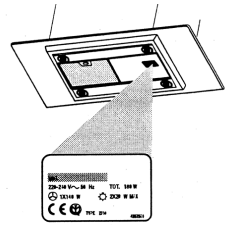
If the Book is lost or damaged a copy may be obtained from:
GDA LTD., Morley Way, Peterborough, PE2 9JB

RECOMMENDATIONS AND SUGGESTIONS

Using your new Cooker Hood is very simple. Nevertheless, to get the best results it is important that you read this manual thoroughly before installing and using your appliance for the first time.

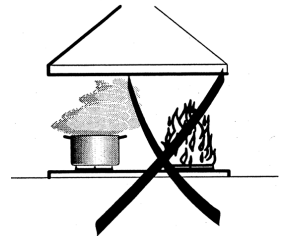
INSTALLATION

- All installation and repairs should be carried out by a qualified technician in accordance to regulations in force.
- The manufacturer will not be held liable for any damage resulting from incorrect or improper installation.
- After having removed the packaging, check the condition of the appliance, if in any doubt, do not use and contact Hotpoint Service (see Key Contacts, back page).
- The minimum safety distance between the hob and the extractor hood is 650 mm.
- Check that the mains voltage corresponds to that indicated on the rating plate fixed to the inside of the hood.
- Connect the extractor to the exhaust flue through a pipe of minimum diameter 120 mm. The route of the flue must be as short as possible.
- Do not connect the extractor hood to exhaust ducts carrying combustion fumes (boilers, fireplaces, etc.).
- If the extractor is used in conjunction with non-electrical appliances (e.g. gas burning appliances), a sufficient degree of ventilation must be guaranteed in the room in order to prevent the backflow of exhaust gas. The kitchen must have a suitable vent to the outside of the building, so that clear fresh air can circulate through the kitchen.



USE

- The extractor hood has been designed exclusively for domestic use to eliminate kitchen smells.
- Never use the hood for purposes other than for which it has been designed.
- Never leave high naked flames under the hood when it is in operation.
- Adjust the flame intensity to direct it onto the bottom of the pan only, making sure that it does not engulf the sides.
- Deep fat fryers must be continuously monitored during use: overheated oil can burst into flames.
- When frying, never leave the pan unattended.
- The hood should not be used by children or persons not instructed in its correct use.

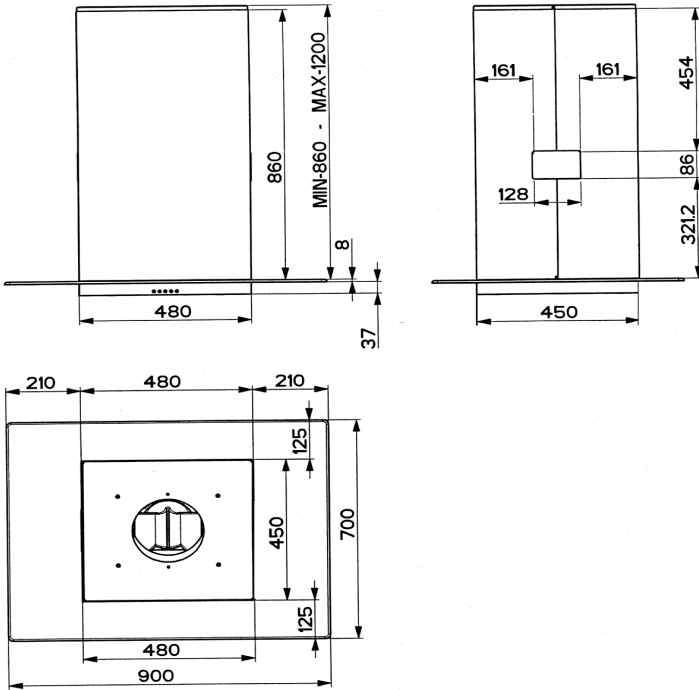


MAINTENANCE

- Switch off and unplug the appliance from the mains supply before carrying out any cleaning or maintenance work.
- Clean regularly (see Care and Cleaning section), build up of dirt and grease could cause a fire hazard.

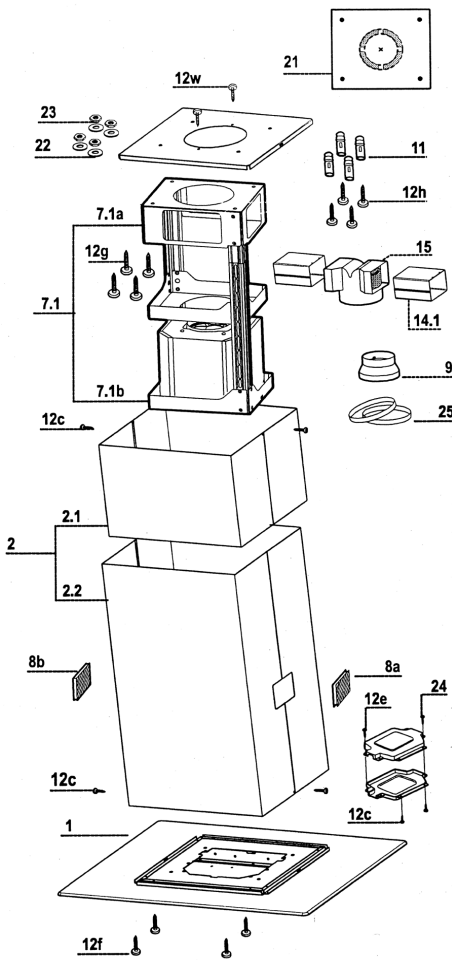
INSTALLATION

Dimensions



INSTALLATION

Components



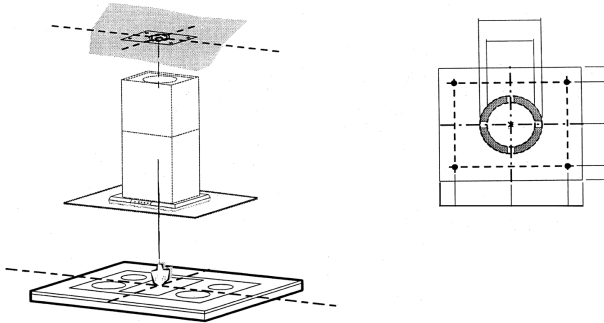
| Ref. | Qty | Product Components |
|------|-----|--|
| 1 | 1 | Hood Body, complete with: Controls, Light, Blower, Filters |
| 2 | 1 | Telescopic Chimney comprising: |
| 2.1 | 1 | Upper Section |
| 2.2 | 1 | Lower Section |
| 7.1 | 1 | Telescopic frame complete with extractor, consisting of: |
| 7.1a | 1 | Upper Frame |
| 7.1b | 1 | Lower Frame |
| 8a | 1 | Right Air Outlet Grill |
| 8b | 1 | Left Air Outlet Grill |
| 9 | 1 | Reducer Flange \varnothing 150-120 mm |
| 14 | 1 | Hood Body Air Outlet Extension Piece consisting of two half shells |
| 14.1 | 1 | Air Outlet Connection Extension |
| 15 | 1 | Air Outlet Connection |
| 24 | 1 | Junction box |
| 25 | 2 | Pipe clamps |
| 26 | 1 | Fixing part of the upper chimney |

| Ref | Qty | Installation Components |
|-----|-----|-----------------------------|
| 11 | 4 | Wall Plugs \varnothing 10 |
| 12c | 6 | Screws 2.9 x 9.5 |
| 12e | 2 | Screws 2.9 x 6.5 |
| 12f | 4 | Screws M6 x 10 |
| 12g | 4 | Screws M6 x 80 |
| 12h | 4 | Screws 5.2 x 70 |
| 12w | 2 | Screws M3 x 8 |
| 21 | 1 | Drilling Template |
| 22 | 4 | 6.4mm int. dia washers |
| 23 | 4 | M6 nuts |

| Qty | Documentation |
|-----|--------------------|
| 1 | Instruction Manual |

INSTALLATION

Drilling the Ceiling/shelf and fixing the frame



DRILLING THE CEILING / SUPPORT SHELF

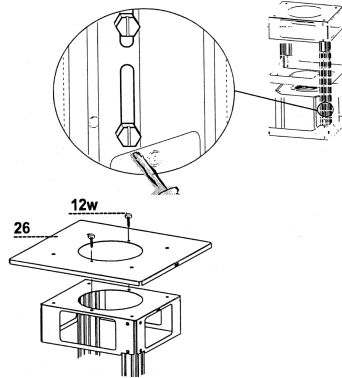
- Use a plumb line to mark the centre of the hob on the ceiling/support shelf.
- Place the drilling template **21** provided on the ceiling/support shelf, making sure that the template is in the correct position by lining up the axes of the template with those of the hob.
- Mark the centres of the holes in the template.
- Drill the holes at the points marked:
 - For concrete ceilings, drill for plugs appropriate to the screw size.
 - For hollow brick ceilings with wall thickness of 20mm: drill \varnothing 10mm.
 - For wooden beam ceilings, drill according to the wood screws to be used.
 - For wooden shelf, drill \varnothing 7mm.
 - For the power supply cable feed, drill \varnothing 10mm.
 - For the air outlet (Ducted version), drill according to the diameter of the external air exhaust duct connection.

INSTALLATION

FIXING THE FRAME

Before fixing, separate the Upper section **2.1** and the Lower section **2.2** from the frame by unscrewing the screws **12c**. Then separate the two sections of the frame (Upper and Lower) by unscrewing the 8 side screws.

Fix the Fixing Part of the Upper Chimney **26** to the hanging kit using the 2 screws **12w** (M3 x 8).



Upper Frame

- Align the power supply cable feed hole.
- Fix the upper frame to the ceiling of shelf using:
 - For concrete ceilings, use the appropriate plugs for the screw size (not provided).
 - For hollow brick ceilings of wall thickness of approximately 20mm: use 4 plugs **11** and 4 screws **12h** (5.2 x 70), provided.
 - For wooden beam ceilings, use 4 wood screws (not provided).
 - For wooden shelf, use 4 screws **12g** (M6 x 80) with washers **22** and nuts **23**, provided.

Lower Frame

- Fix the lower frame using the 8 previously removed screws, adjusting the length according to the installation height (hood body lower fixing surface must be at least 710mm from the hob).
- For the recirculation version, turn the frame in the direction chosen for the recirculated air outlet.

- The frame mounting must be secure to withstand the weight of the hood and any stresses caused by the occasional side thrust applied to the device. On completion, check that the base is stable, even if the frame is subjected to bending.
- In all cases where the ceiling is not strong enough at the suspension point, the installer must provide strengthening, using suitable plates and backing pieces anchored to the structurally sound parts.

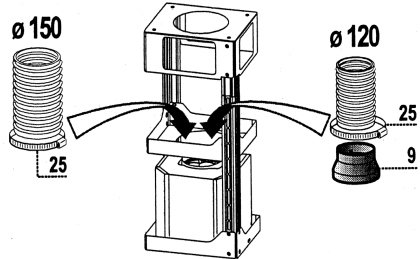
INSTALLATION

Connections

DUCTED VERSION AIR EXHAUST SYSTEM

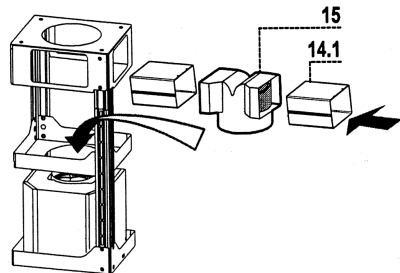
When installing the ducted version, connect the hood to the chimney using either a flexible or rigid pipe \varnothing 150 or 120 mm, the choice of which is left to the installer.

- To install a \varnothing 120 mm air exhaust connection, insert the reducer flange **9** on the hood body outlet.
- Fix the pipe in position using the pipe clamps **25** provided.
- Remove any activated charcoal filters.



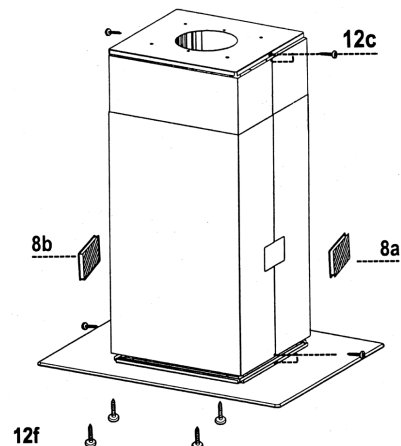
RECIRCULATION VERSION AIR OUTLET

- Push the connection **15** onto the air outlet.
- Insert the connection extension pieces laterally **14** in connection **15**.
- Place the upper chimney section and fix the upper part to the Fixing Part of the Upper Chimney using the 2 screws **12c** (2.9 x 9.5) provided.
- Similarly, position the lower chimney section and fix the lower part to the frame using the 2 screws **12c** (2.9 x 9.5) provided.



Recirculation version

- Make sure that the outlet of the extension pieces **14.1** is horizontally and vertically aligned with the chimney outlets.
- If this is not the case, remove the lower chimney section and adjust the position by either reversing the connection pieces **14.1** or by cutting the hood body extension **14** along one of the thinner section channels denoting the pre-fixed lengths, then reassemble as described previously.
- Fit the directional grids **8a-8b** in their housings making sure that the directional symbols are towards the top. Also make sure that they are correctly inserted in the connection extension pieces **14.1**.



INSTALLATION

Connections

Before fixing the hood body to the frame:

- Remove the grease filters from the hood body.
- Remove any activated charcoal filters.
- From below, use the 4 screws **12f** (M6 x 10) provided, to fix the hood body to the frame.
- Fix the Lower Chimney to the Hood Canopy using the 2 screws **12c** (2.9 x 9.5) provided.

ELECTRICAL CONNECTIONS

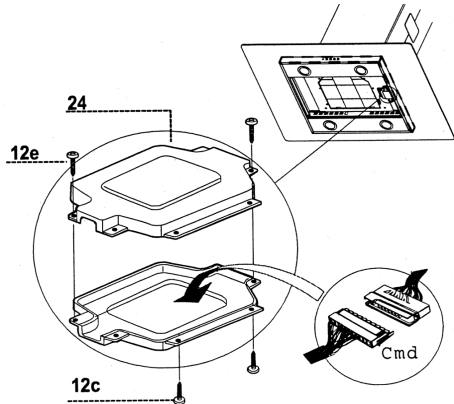
WARNING -

THIS APPLIANCE MUST BE EARTHED

This appliance must be connected by a competent person eg. NICEIC registered contractor, in accordance with latest IEE regulations.

The appliance is supplied with a fitted plug. If the appliance is to be connected to fixed wiring, it must be connected to a double-pole control unit with a minimum switch rating of 5A and protected by a 3A fuse.

- Connect the hood to the mains through a double pole switch having a contact gap of at least 3mm.
- Connect the control connector **Cmd**.
- Place the connector in the junction box **24** and close it using the 2 screws **12e** (2.9 x 6.5) provided.
- Fix the junction box to the hood body using the 2 screws **12c** (2.9 x 9.5) provided.
- For the recirculation version, fit the activated charcoal filter.
- Replace the grease filters.



Electrical Connection

WARNING: This appliance MUST be earthed. Connect to a 230 - 240V A.C. Supply only.

- Connection to the electricity supply should be made via a properly earthed, readily accessible wall socket which is adjacent to and not more than 1.25m away from the appliance and capable of electrical isolation.

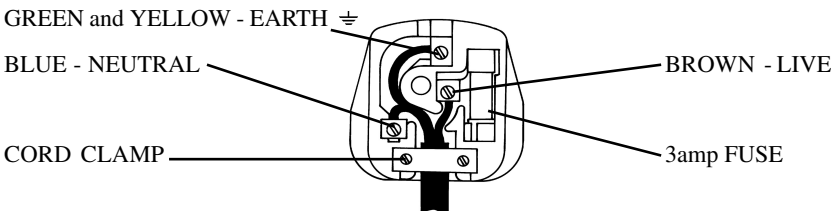
Should this plug not fit the socket outlet in your home it should be cut off and replaced with a suitable plug as outlined below.

Note: The removed plug cannot be used for any other appliance and should therefore be properly disposed of and not left where children might find it and plug it into a supply socket - with the obvious consequent danger.

IF THE FITTED PLUG IS REMOVED

The flexible mains lead must be correctly connected as below, to a three pin plug of not less than 13 amp capacity. If a B.S.1363 fused plug is used, it must be fitted with a 3amp fuse which is approved to B.S.1362.

IMPORTANT: The wires in the mains lead fitted to this appliance are coloured in accordance with the following code:



As the colours of the wires in the mains lead of this appliance may not correspond with the coloured markings identifying the terminals in your plug, proceed as follows:- The wire which is green and yellow must be connected to the terminal in the plug which is marked with the letter E or by the earth symbol ≡ or coloured green or green and yellow. The wire which is coloured blue must be connected to the terminal which is marked with the N or coloured black. The wire which is coloured brown must be connected to the terminal which is marked with the letter L or coloured red. When wiring the plug, ensure that all strands of wire are securely retained in each terminal. Do not forget to tighten the mains lead clamp on the plug. As the appliance must be earthed, **DO NOT use 2-pin socket outlets, if you are in doubt, consult a qualified electrician.**

Should the mains lead ever require replacement, it is essential that this operation be carried out by a qualified electrician and should only be replaced with a flexible cord of the same size ie. 0.75mm² cross sectional area and temperature rating of 85°C eg. heat resisting PVC.

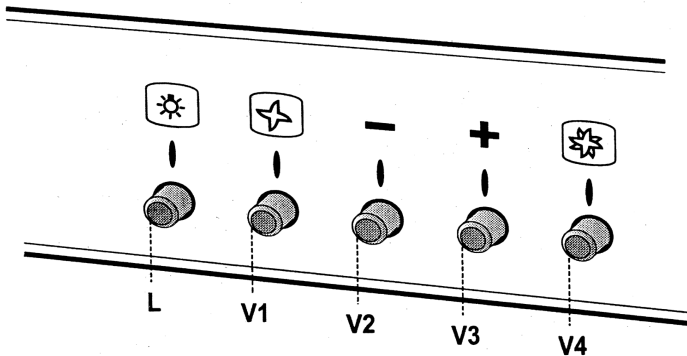
IF A MOULDED PLUG IS FITTED

In the event of replacing a fuse in the plug supplied a 3amp ASTA approved fuse to B.S.1362 must be fitted.

Note: The fuse cover must be refitted when changing the fuse. In the event of losing the fuse cover the plug must not be used until a replacement fuse cover has been obtained and fitted. A new fuse cover can be obtained from your local Electrical Retailer. The colour of the correct replacement fuse cover is that of the coloured marks or inserts in the base of the plug.

GETTING TO KNOW YOUR COOKER HOOD

The Controls



| | | |
|-----------|-----------------|--|
| L | Light | Switches the lighting system on and off. |
| V1 | Motor | Switches the extractor motor off and on at low speed. Used to provide a continuous and silent air change in the presence of light cooking vapours. |
| V2 | Speed | Reduces the operating speed. |
| V3 | Speed | Increases the operating speed. |
| V4 | Intensive Speed | Maximum speed, used to eliminate the highest cooking vapour emission. Switches off automatically after 10 minutes operation. Can also be switched off manually by pressing the button. |

WARNING: Children should not be allowed to play with the appliance or tamper with the controls.

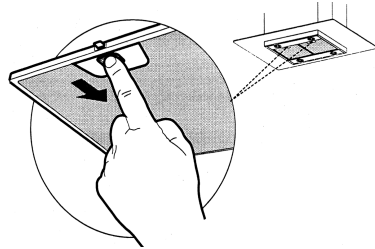
CARE AND CLEANING

Before cleaning your cooker hood or carry out any maintenance, switch off and remove the plug from the socket to disconnect it from the electricity supply.

CLEANING METAL GREASE FILTERS

The filters must be cleaned every 2 months of operation, or more frequently with heavy usage, and can be washed in a dishwasher.

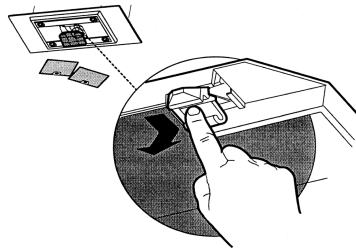
- Remove the filters one at a time by pushing them towards the back and pulling down at the same time.
- Wash the filters, taking care not to bend them. Allow them to dry before refitting.
- When refitting the filters, make sure that the handle is visible on the outside.



REPLACING THE ACTIVATED CHARCOAL FILTER (RECIRCULATION VERSION)

The filter is not washable and must be replaced after every 4 months of operation, or more frequently with heavy usage.

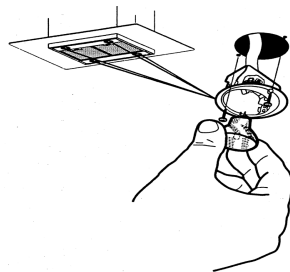
- Remove the metal grease filters.
- Remove the saturated activated charcoal filter by releasing the fixing hooks.
- Dispose of the charcoal filter.
- Fit the new filter by hooking it into its housing.
- Replace the metal grease filters.



LIGHT REPLACEMENT

20W halogen light

- Remove the 2 screws fixing the Lighting support, and pull it out away from the hood.
- Extract the lamp from the support.
- Replace with another of the same type, making sure that the two pins are properly inserted in the lamp holder socket holes.
- Replace the support and fix it in place with the two screws previously removed (above).



CLEANING

- Clean with a sponge soaked in warm water and a sodium bicarbonate solution, which is among other things a good disinfectant. If you do not have any, you can use a neutral soap.
- DO NOT use abrasive detergents, bleach or detergents using ammonia.
- NEVER use solvent based products.

Failure to carry out the basic standards of cleaning and replacement of the filters could cause a fire risk. Therefore you must observe these instructions.

NOTES



After Sales Service

"No company is better positioned to offer an after sales service on a Hotpoint appliance than us - the manufacturer"

As part of our commitment to you, all Hotpoint appliances have the added benefit of a fully inclusive parts and labour guarantee for the first 12 months. In addition to this you also have the advantage of **free replacement parts for the first 5 years** when fitted by a Hotpoint engineer. When the 12 months parts and labour guarantee expires we offer the following after sales service options:

Repair Service and Information Help Desk

UK: 08709 066066

www.theservicecentre.co.uk

Republic of Ireland: 1850 302 200

Note: Our operators will require the Model number and the Serial number of your appliance

Available 364 days a year with a fast, effective and value for money service. We have the largest white goods repair service in the UK with over 1200 of our own fully trained engineers.

All repairs include a parts and labour guarantee for 12 months from the date of the repair. If you require any information or have any questions about your appliance, our operators are on hand with help and advice.

All this ensures that you will receive the best available after sales service possible.

Extended Warranties

UK: 08709 088 088

www.theservicecentre.co.uk

Republic of Ireland: 1850 502 200

Whether you have just one or a number of Hotpoint appliances in your kitchen, we offer two service cover plans to give you total peace of mind.

- Repair Protection Plan - FREE service repairs for a single Hotpoint appliance during the period of cover.
- Kitchen Cover - FREE service repairs for all your Hotpoint appliances less than 8 years old.

Genuine Parts and Accessories

UK: 08709 077 077

www.theservicecentre.co.uk

Republic of Ireland: (01) 842 6836

A wide range of genuine parts and accessories are available from our hotline or through our website.

Genuine parts and accessories, extended warranties and service repairs are all available on our web-site at:



www.theservicecentre.co.uk



Guarantee

"Satisfaction guaranteed or your money back"

We give you a unique 'satisfaction guaranteed' promise - **valid for 90 days** - after you have purchased your Hotpoint appliance. If there is a technical problem simply call Hotpoint Repair service or visit our web-site at www.theservicecentre.co.uk and where necessary, we will arrange for an engineer to call. If the technical problem is not resolved under this guarantee, **we will replace your machine or, if you prefer, give you your money back.**

All Hotpoint appliances carry a fully inclusive 12 month parts and labour guarantee as well as free replacement parts for the first 5 years (except microwaves, selected integrated appliances and cooker hoods, which have a one year guarantee) provided that they are fitted by a Hotpoint engineer.

Guarantee terms and conditions

Your guarantee is only applicable in the United Kingdom or Republic of Ireland and is subject to the following provisions that your appliance:

- Has been installed and used correctly in accordance with this instruction booklet.
- Has been used solely for domestic purposes and is located on domestic premises (ie. not for commercial or trade use).
- Has been properly connected to a suitable electrical supply voltage as stated on the appliance rating plate.
- Has not been subject to misuse, accident, modified or repaired by anyone other than one of our own service engineers.



For pre purchase information on any other Hotpoint product call: 08701 50 60 70
or visit: www.hotpoint.co.uk



Recycling & Disposal Information

As part of Hotpoint's continued commitment to helping the environment, Hotpoint reserves the right to use quality recycled components to keep down customer costs and minimise material wastage.

Please dispose of packaging and old appliances carefully.

To minimise risk of injury to children, remove the plug and cut mains cable off flush with the appliance. Dispose of these parts separately to ensure that the appliance can no longer be plugged into a mains socket.



Key Contacts

After Sales Service

Over 1200 trained specialists, directly employed by us, ensure that you can have complete confidence in both the appliances and services we offer.



Repair Service and Information Desk

UK: 08709 066 066

(Open 8 to 8 Mon - Fri, 8 to 6 Sat, 10 to 4 Sun & Bank Holidays)

www.theservicecentre.co.uk

Republic of Ireland: 1850 302 200

Note: Our operators will require the following information:

Model number:

Serial number:

Extended Warranties

UK: 08709 088 088

(Open 8 to 8 Mon - Sun)

www.theservicecentre.co.uk

Republic of Ireland: 1850 502 200

Genuine Parts and Accessories

UK: 08709 077 077

(Open 8-30 to 5-30 Mon - Fri & 9 to 12 Sat)

www.theservicecentre.co.uk

Republic of Ireland: (01) 842 6836

Free Manuals Download Website

<http://myh66.com>

<http://usermanuals.us>

<http://www.somanuals.com>

<http://www.4manuals.cc>

<http://www.manual-lib.com>

<http://www.404manual.com>

<http://www.luxmanual.com>

<http://aubethermostatmanual.com>

Golf course search by state

<http://golfingnear.com>

Email search by domain

<http://emailbydomain.com>

Auto manuals search

<http://auto.somanuals.com>

TV manuals search

<http://tv.somanuals.com>