



Cooker Hood

HE63

HE73

HE93

Instruction on mounting and use

! It is important to conserve this booklet for consultation at any moment. In the case of sale, cession or move, make sure it is together with the product.

! Read the instructions carefully: there is important information about installation, use and safety.

! Do not carry out electrical or mechanical variations on the product or on the discharge conduits.

Installation

Electric connection

! The power tension must correspond with the tension shown on the characteristics label situated inside the hood. If provided with a plug, attach the hood to a socket conforming to the regulations in force and placed in an accessible zone. If without a plug, (*connected directly to the power supply*), use a regulation bipolar switch with a distance of the contacts on opening not less than 3mm (*accessible*).

! If necessary, the situating of the supply cable must be carried out by the technical assistance service or a qualified person.

! An authorized installer must carry out the electrical connection of the hood.

! The company declines any responsibility whenever these regulations are not respected.

The minimum distance between the supporting surface for the cooking vessels on the hob and the lowest part of the range hood must be not less than 50cm from electric cookers and 70cm from gas or mixed cookers. If the instructions for installation for the gas hob specify a greater distance, this must be adhered to.

Fix the bracket behind the hood near the joining ring (Fig. 4.1a).

Note: The bracket can be adjusted horizontally. This is useful for successive small adjustments of the position of the hood (Fig. 4.1b).

Draw a centerline on the wall from the cooking top to the ceiling (Fig. 5.2).

Taking account of the distance from the cooking top, mark the distance from the cooking top and position the template (if supplied) to the wall on the mark (Fig. 5.3).

Mark the hole to be made, make it and insert the dowel and partially screw 1 screw up (Fig. 5.4).

Fix the flue support to the wall as close as possible to the ceiling (Fig. 6.1). In this phase, for the filter version, also fix the baffle (Fig. 6.2).

Connect the hood to the partially screwed screw (Fig. 6.3a – if necessary the hood can be adjusted horizontally, repositioning the bracket suitably – Fig. 6.3b)

Mark the 4 definitive fixing points of the hood:
2 below: removing the fat filters (Fig. 6.4), 2 above at the sides of the bracket.

Remove the hood, make the holes, insert the dowels (Fig. 6.5), replace the hood, insert and screw all the screws up decisively (Fig.6.6 - Fig. 6.7).

Suction Version: the steam is sucked and sent outside through a discharge tube that is fixed to the joining ring positioned on the upper part of the hood.

Attention! If the hood is provided with a mounted carbon filter, this must be removed.

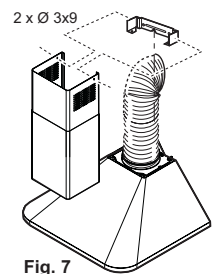
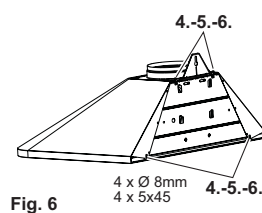
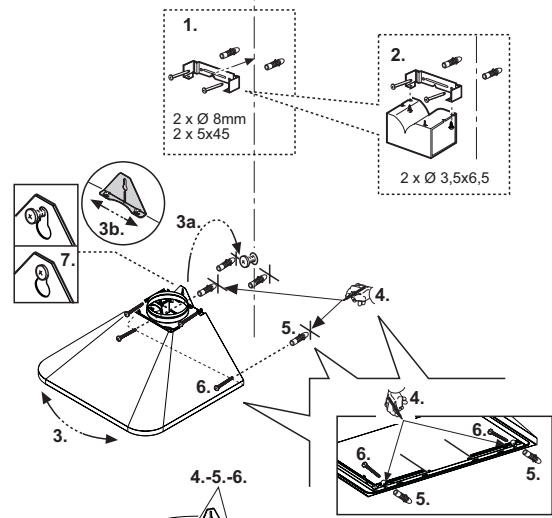
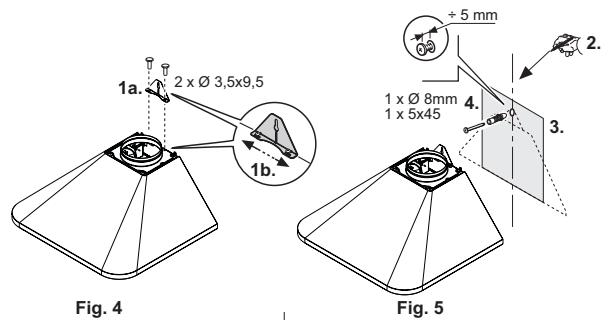
The discharge air must not be discharged in a conduit used for expelling fumes produced by gas or other fuel apparatuses but must have an independent exit. All the national regulations about the discharge of air must be respected.

Filter Version: the filtered air passing through a carbon filter is recycled into the surrounding environment.


Attention! If the hood is not provided with a carbon filter it must be ordered and mounted before use.


Installing the telescopic flue.

Connect the hood to the power supply and fix the telescopic flue to the support with two screws and let the lower part slide until reaching the appropriate seat on the upper side of the hood (Fig. 7).



Control panel

Press  to enable all the functions (ON/OFF key).

Press  to turn the lights on and off.
To increase or diminish the suction speed, press keys 1,2 or 3.
Press O to interrupt the suction function.

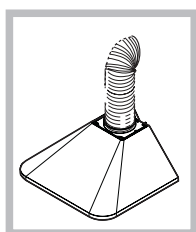
! We advise switching the hood on, at minimum power, before beginning to cook to favour the optimal expulsion of odours. In addition we advise turning it off every time 10/15 minutes after finishing cooking.

! We advise frying under the hood only under constant supervision.

! It is forbidden to cook flambé under the hood because there is the risk of causing a fire.

The best performance of the apparatus is obtained with external expulsion: we advise using the hood in this version if possible.

External exhausting version



In this case the fumes are conveyed outside by means of a special pipe connected with the connection ring located on top of the hood. Diameter of the exhausting pipe must be equal to that of the connection ring = 150mm.

In the horizontal runs the exhausting pipe must be slightly slanted (about 10°) and directed upwards to vent the air easily from the room to the outside. Attention! If the hood is supplied with active charcoal filter, then it must be removed.

Filtering version

One active charcoal filter is needed for this and can be obtained from your usual retailer.

The filter removes the grease and smells from the extracted air before sending it back into the room through the upper outlet grid.

! It is always necessary to isolate the hood from the power supply during cleaning and maintenance. Therefore remove the plug.

We recommend carrying out maintenance regularly (about every 10 days) to ensure efficacious and constant performance of the hood.

Cleaning the hood

The hood should be cleaned frequently, both internally and externally. Use a cloth damped in neutral detergent liquids.

Avoid the use of products containing abrasives.

Attention: failure to observe the cleaning regulations of the hood and the substitution and cleaning of the filters leads to the risk of fire. We therefore recommend keeping to the suggested instructions.

Cleaning the grease filters

The fats filter serves to capture the particles of fat in suspension that come from the cooking.

It must be cleaned once a month with non-aggressive detergents manually or in a dishwasher at low temperature and short cycle.

If washed in a dishwasher it can become opaque over time but its filtering ability is not lessened in any way.

Dismantle it using the corresponding handles, pushing them backward first and then pulling them down.

After having washed it, dry it carefully and assemble it again in its seat, reversing the procedure.

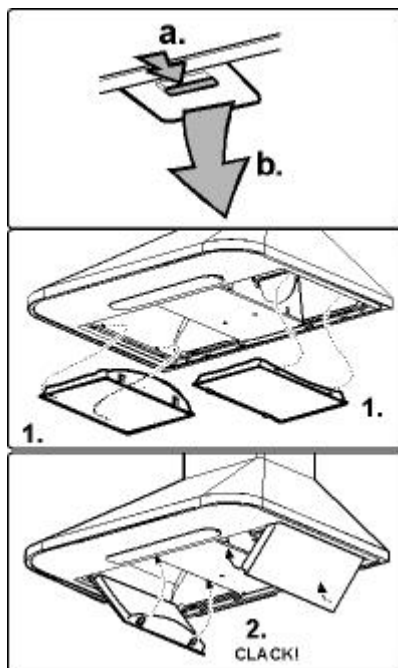
Clean the perimeter suction panel (when envisaged) with the same frequency as the anti-fat filter. Use a cloth and a not too concentrated liquid detergent.

Never use abrasive substances.

Mounting and changing the filter

The carbon filter must be changed every 6 months.

- 1-Remove the fats filter (a.b)
- 2-Mount the filters as illustrated in the figures below.
- 3-To dismantle, proceed inversely.
- 4-Put the anti-fat filters back.



Replacing lamps

Remove the plug!

Bulb/s:

Remove the overhead light and remove the bulb to change. Only use 40W lamps.

Make sure the bulbs are cold before touching them.

Halogen bulbs:

Use a small screwdriver or other tool suitable for prising.

Substitute the halogen bulb with another of equal value. Close with the trigger fixing.

General safety

! The hood has been designed and constructed in conformity with international safety regulations. These warnings are provided for safety reasons and must be carefully read.


- This apparatus has been designed for use by adults.
 - Children and invalids are not allowed to use this apparatus without supervision. Check that children do not play with the apparatus.
 - The premises must have sufficient ventilation when the hood is being used at the same time as other apparatuses that use gas and other fuels. If the hood must be installed in a kitchen where there is a water-heater or a gas heating system we recommend, for safety reasons, not using the suction version. It is therefore necessary to equip the apparatus with an active carbon filter, in this way allowing recycling use.
 - For safe performance, low pressure should not exceed 0.04 mbar: in this way re-suction of the expulsion gas will be avoided. This can be obtained ensuring entry of air into the room through openings that cannot be closed.
 - The sucked air must not be conveyed in a conduit used for the discharge of fumes from apparatuses supplied with energy other than electricity.
 - It is severely forbidden to cook food on the flame under the hood.
 - The use of naked flame damages the filters and can cause fires. It must therefore be avoided in any case.
 - Frying must be carried out under control to avoid the overheated oil catching fire.
 - As far as the technical and safety measures to adopt for the discharge of fumes are concerned, keep strictly to what is envisaged by the regulations of the competent authorities.
 - For any problem regarding the expulsion of fumes, keep to the instructions of the competent authority.
- The company declines any responsibility in the case of damage or fire caused by apparatus resulting from failure to observe the above-mentioned instructions.

Disposal

- Disposing of the packaging material: keep to the local regulations so that the packaging can be re-used.
- European directive 2002/96/CE on electric and electronic apparatus waste provides that domestic appliance should not be disposed of in the normal flow of solid urban waste. The disused apparatuses must be collected separately to make the rate of recovering and recycling of the materials they consist of and prevent potential damage to health and the environment. The symbol of the barred basket is shown on all the products to remind users of the need for separate collection.

- Disused domestic appliances can be delivered to the public collecting service, taken to suitable local authority areas or, if envisaged by national laws on the matter, resold to dealers at the same time as purchasing new, equivalent, types of product.
 - All the main producers of domestic appliances are active in the creation and management of collecting systems of disused apparatuses.
 - ! In case of anomalies apply to the authorized technical assistance service and require original spare parts.
 - ! The information and technical data are subject to change and the producer, in line with technical progress, maintains the right to make modifications that he considers necessary without prior notice.
- This appliance is marked according to the European directive 2002/96/EC on Waste Electrical and Electronic Equipment (WEEE). By ensuring this product is disposed of correctly, you will help prevent potential negative consequences for the environment and human health, which could otherwise be caused by inappropriate waste handling of this product.



The symbol  on the product, or on the documents accompanying the product, indicates that this appliance may not be treated as household waste. Instead it shall be handed over to the applicable collection point for the recycling of electrical and electronic equipment. Disposal must be carried out in accordance with local environmental regulations for waste disposal.

For more detailed information about treatment, recovery and recycling of this product, please contact your local city office, your household waste disposal service or the shop where you purchased the product.



L12S7A

Free Manuals Download Website

<http://myh66.com>

<http://usermanuals.us>

<http://www.somanuals.com>

<http://www.4manuals.cc>

<http://www.manual-lib.com>

<http://www.404manual.com>

<http://www.luxmanual.com>

<http://aubethermostatmanual.com>

Golf course search by state

<http://golfingnear.com>

Email search by domain

<http://emailbydomain.com>

Auto manuals search

<http://auto.somanuals.com>

TV manuals search

<http://tv.somanuals.com>