



kitchen think

# **Instructions for Installation and Use**

## **Electric Hood**

**To the Installer**

**Before installation fill in the product details on the back cover of this book.  
The information can be found on the rating plate.**

**To the User**

**You must read the instructions prior to installing and using the appliance and  
then retain them for future reference.**



CE marking certifies that this appliance conforms to the following EEC directives:-

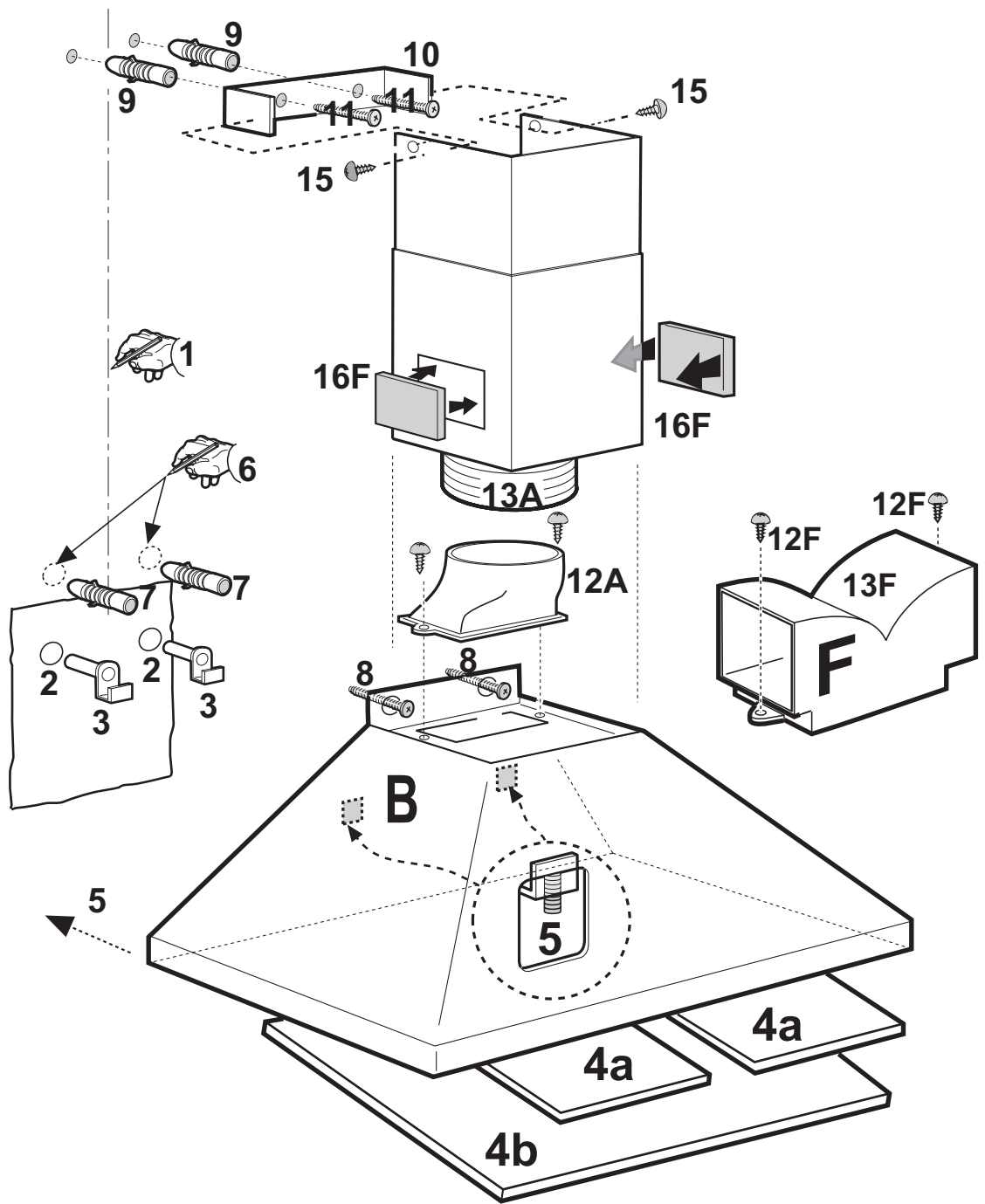
- Low Voltage Equipment                      72/23/EEC
- Electromagnetic Compatibility              89/336/EEC

### **Retention of this Instruction Book**

This Instruction Book must be kept handy for reference as it contains important details on the safe and proper use of the appliance.

If you sell or pass the appliance to someone else, or move house and leave it behind, make sure this Book is also provided so the new owner can become familiar with the appliance and safety warnings.

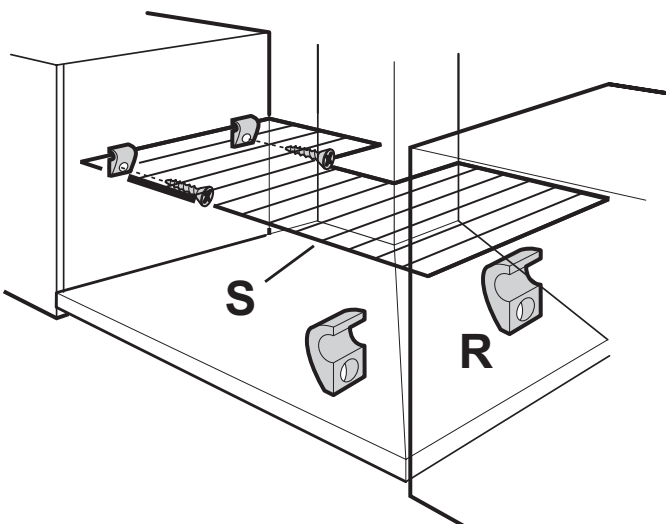
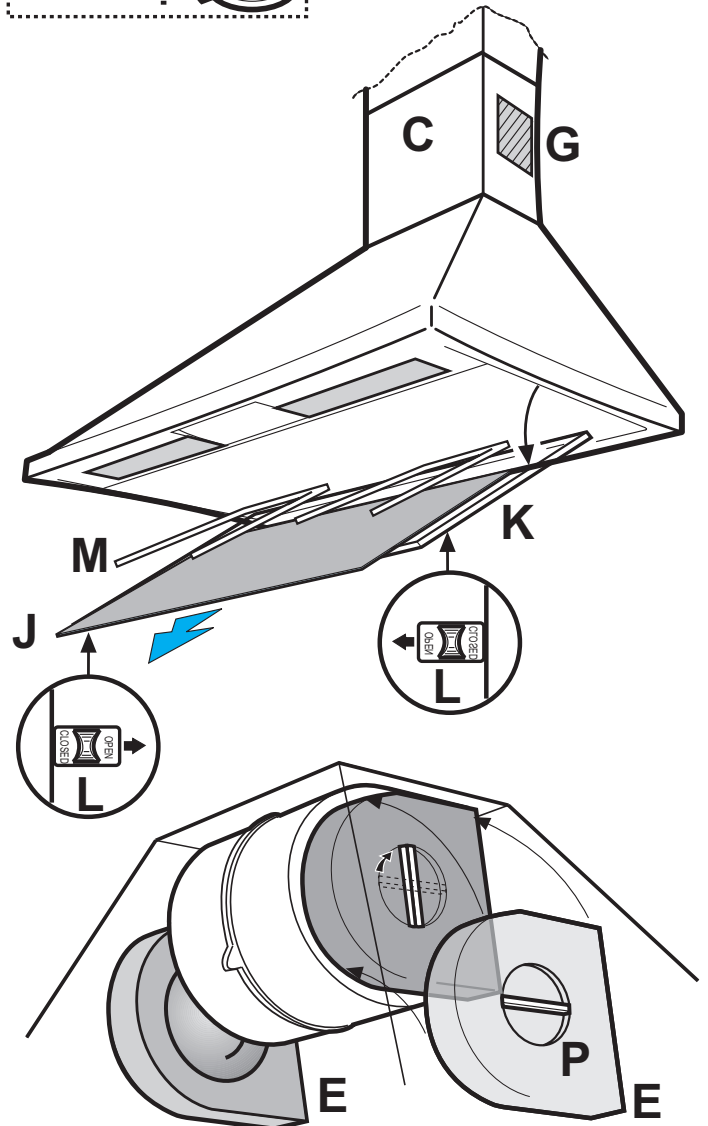
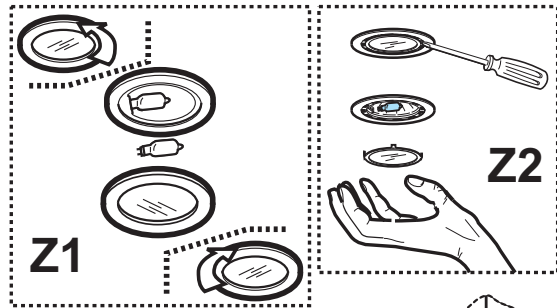
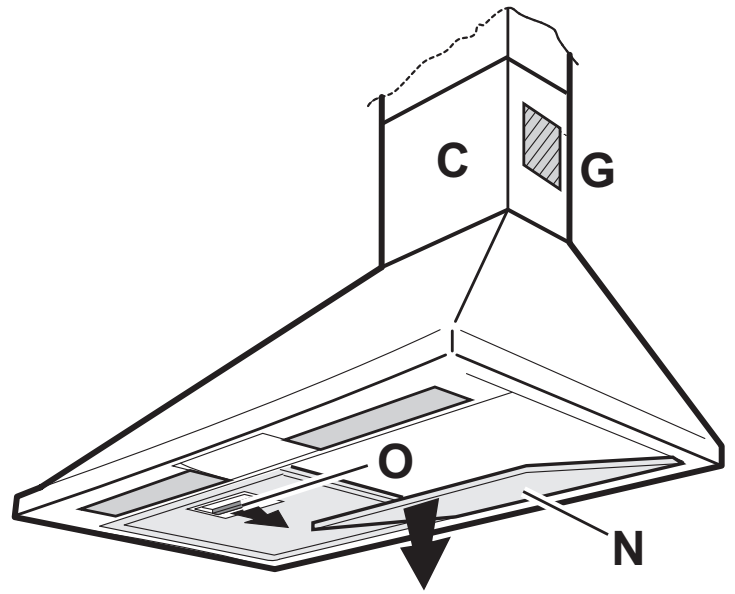
If the Book is lost or damaged a copy may be obtained from:  
Merloni Elettrodomestici UK Ltd., Morley Way , Peterborough, PE2 9JB



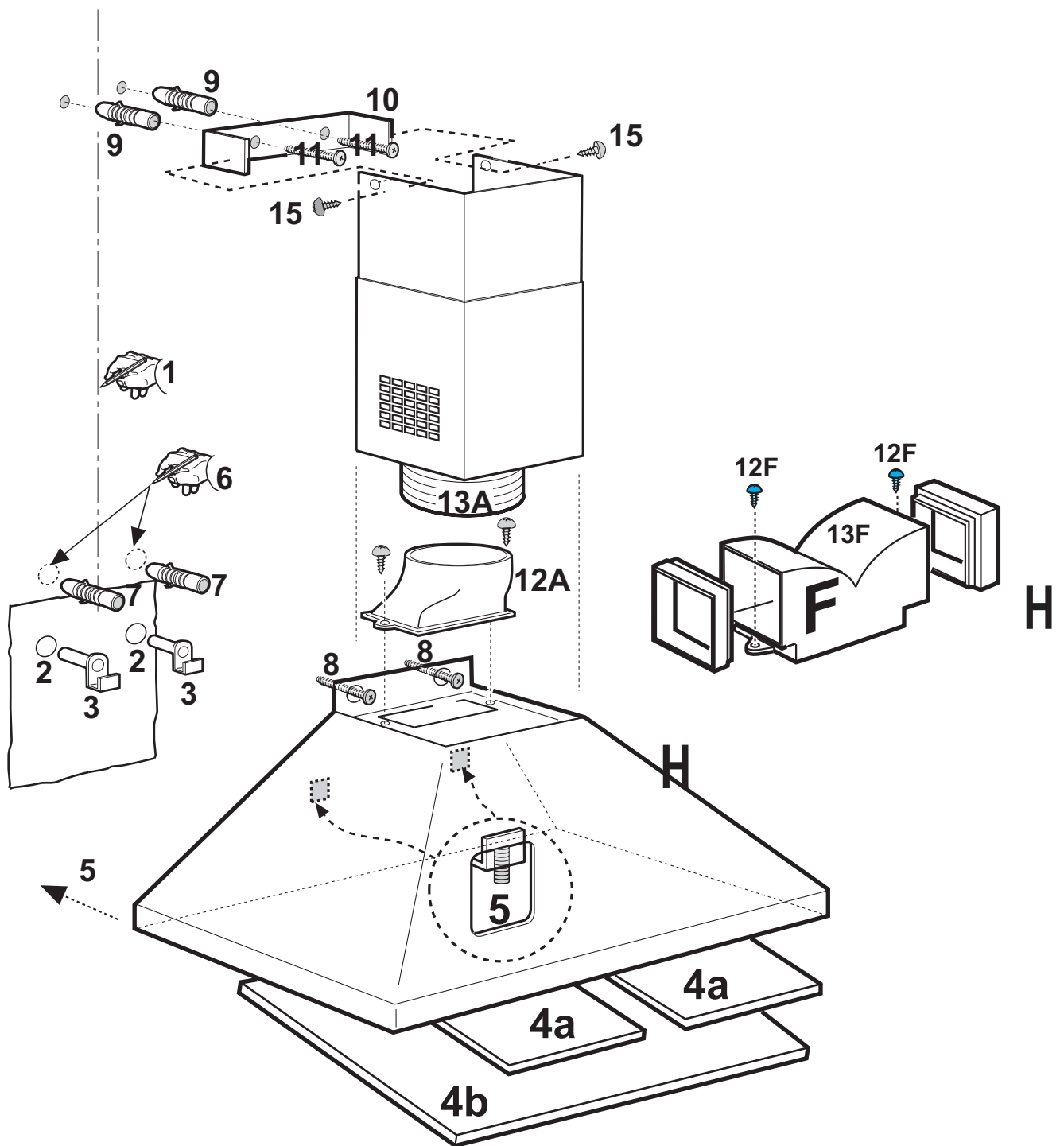
Installation

**Warning!** The position of the hook points (5 – Rectangular perforations) or the compulsory fastening points (8 – circular drill holes) may be inverted! Therefore check the back of the cooker hood in your possession to verify the position.

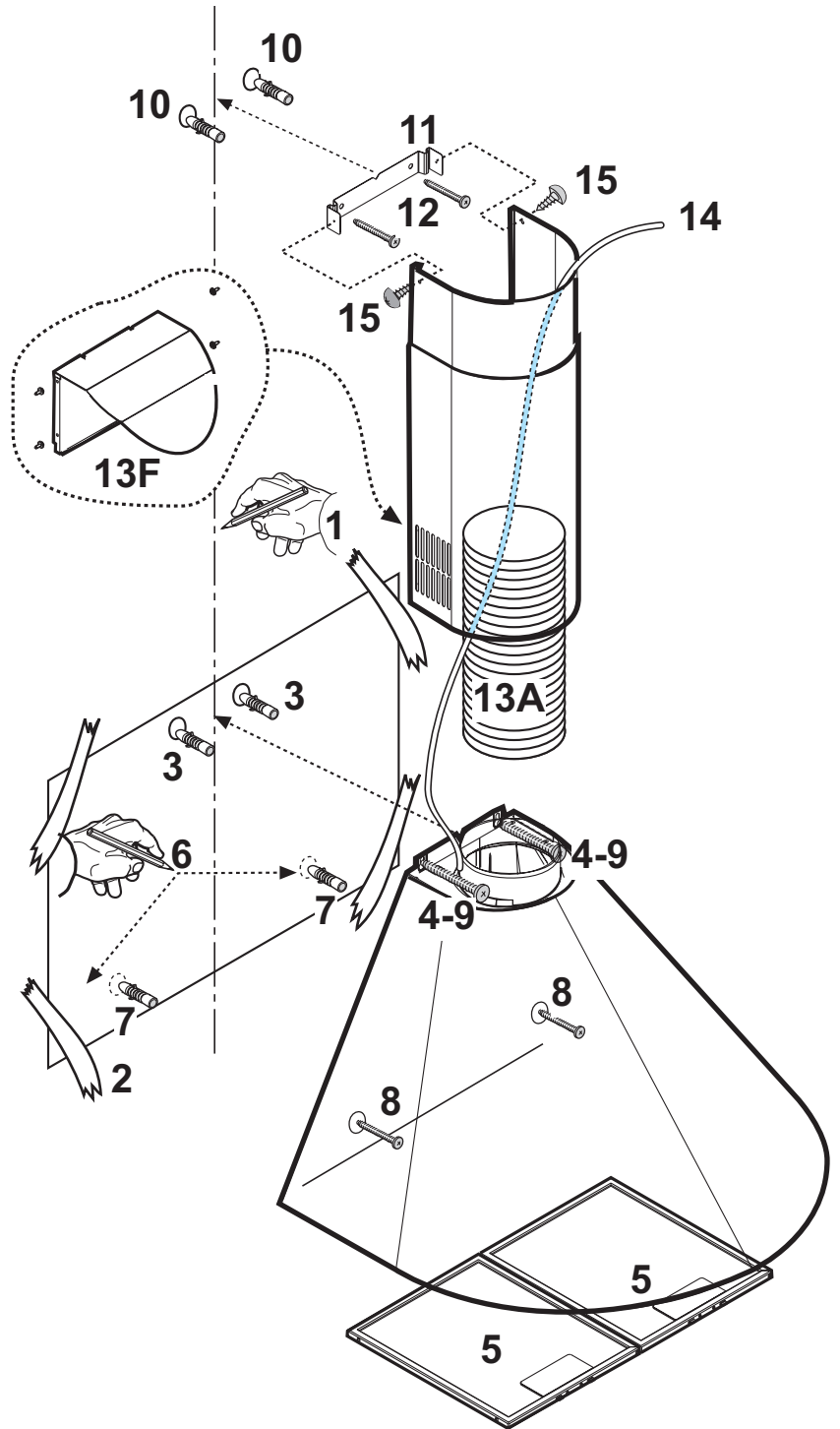
**Fastening of shelves (optional):** Fasten the four side supports R to the adjacent cabinets and place the shelf on the supports S.



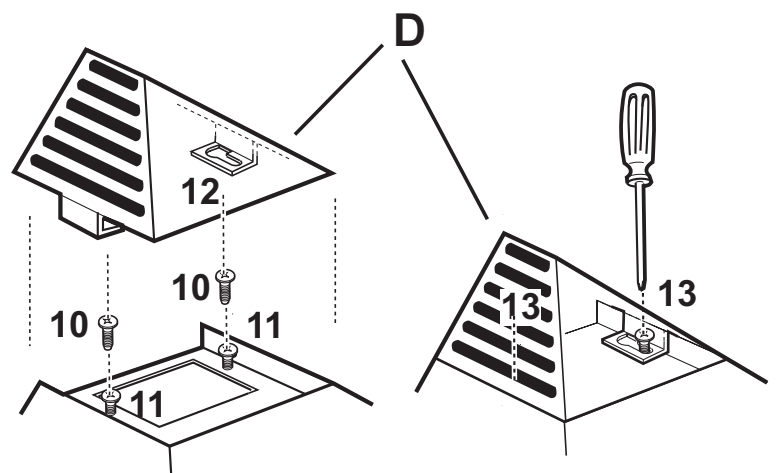
**Installation** - only for model with recirculation version fume outlet slots formed directly on the chimney (with no plastic grills)



## Installation – Model with rounded border



## Model with dome (Filter Version)



# GB INSTRUCTION ON MOUNTING AND USE

Consult the designs in the front pages referenced in the text by alphabet letters. **Closely follow the instructions set out in this manual.** All responsibility, for any eventual inconveniences, damages or fires caused by not complying with the instructions in this manual, is declined.

## Installation

The cooker hood must be placed at a minimum distance of 60 cm from the cooking plane for electric cookers and 70cm for gas or mixed cookers. The hood can be installed above these heights but for optimum performance it should be installed at the distance quoted for the appropriate heat source.

Do not tile, grout or silicone this appliance to the wall. Surface mounting only.

Do not fix chimney flue to furniture or fly over shelves unless the chimney flue can be easily removed, in case maintenance is ever required.

## Use

The cooker hood is provided with an upper air exit **B** for discharging fumes externally for models including chimney flue **C** ( **Suction Version A**- exhaust pipe **13A** not supplied).

In the instance where it is not possible to discharge cooking fumes and vapours externally even if utilising the model with chimney flue **C**, the cooker hood may be used in the **filter version F** by mounting two active carbon filters **E**, the fumes and vapours are then recycled via the upper grill **G** (depending on the model the grill may be directly placed on the chimney flue or via the mounting of two small grills – **16F**).

If in possession of a model with grill placed on chimney flue then two **H** extensions must be placed on the deflector **13F**.

The models provided with small dome **D** may only be used in the **filter version F**.

The models without suction motor and the models with electric valve only function in the suction version and must be connected to a peripheral suction unit (not supplied).

## Electrical connection

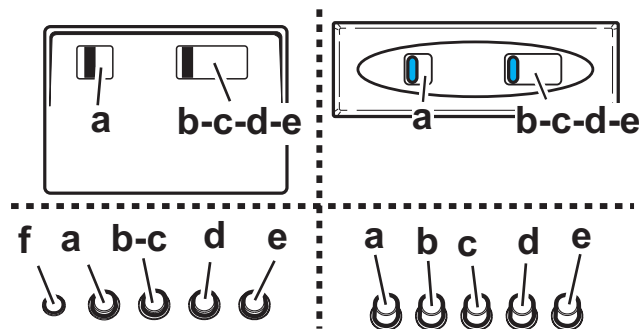
The electrical tension must correspond to the tension noted on the label placed inside the cooker hood. Connect the electrical plug, where provided, to the an easily accessible outlet in conformity with local standards in force.

Where an electrical plug is not provided (for direct connection to electrical network) place a standards approved bipolar switch with an aperture distance of not less than 3mm (accessible) from the contacts.

## Operation

The cooker hood is provided with a key or pushbutton control panel situated of the frontal part of the cooker hood, depending on the basis of the cooker hood type in possession. For proper operation consult the text below and the relative illustration:

- a. ON/OFF lighting
- b. OFF motors/Valve
- c. - d. - e. Minimum suction power/ON Valve (c.), medium (d.), maximum (e.).
- f. Operation warning light (where present).



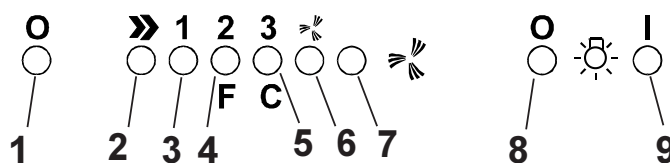
Use the high suction speed in cases of concentrated kitchen vapours. It is recommended that the cooker hood suction is switched on for 5 minutes prior to cooking and to leave in operation during cooking and for another 15 minutes approximately after terminating cooking.

### Only in the case of models with electric valve:

In this case the hood is provided with a control panel placed on the front part of the hood with two keys, one for turning the lamp on and off and one for opening and closing the valve.

Attention: opening and closing the valve is never immediate and takes place after a brief lapse of time.

## Model with electronic controls



- 1- Motor OFF button
- 2- ON button and motor speed selection button 1 - 2 - 3 - 1 - 2 - . . .
- 3- Speed 1 LED
- 4- Speed 2 LED and metal grease filter saturation LED (in this latter case, the LED will flash - See instructions on grease filter cleaning).
- 5- Speed 3 LED and active carbon filter saturation LED (in this latter case, the LED will flash - See instructions on active carbon filter replacement).

### Warning!

The active carbon filter saturation LED is not activated.

In order to activate the active carbon filter saturation indicator, press buttons **2** and **7** simultaneously for 3 seconds. Initially, only **LED 4** will flash, then after the 3 seconds have passed, **LED 5** will also start flashing, indicating that the active carbon filter saturation control system is active.

To switch off the system, re-press the same two buttons: after 3 seconds **LED 5** will stop flashing and the device will be

switched off.

6 - Intensive speed LED

7 - Intensive speed ON switch

This speed should be used when the concentration of cooking fumes or odours is particularly strong (for example when frying, cooking fish etc.). The fast speed will run for about 5 minutes and then return to the speed previously set automatically (1, 2 or 3), or switch off if no speed was selected. To turn off the fast speed, before the end of the 5 minutes, press button 1 or button 2 (see page 13).

8 - OFF lamp button

9 - ON lamp button

If the hood fails to operate correctly, briefly disconnect it from the mains power supply for almost 5 sec. by pulling out the plug. Then plug it in again and try once more before contacting the Technical Assistance Service.

## Maintenance

Prior to any maintenance operation ensure that the cooker hood is disconnected from the electrical outlet.

### Cleaning

The cooker hood should be cleaned regularly internally and externally. For cleaning use a cloth moistened with denatured alcohol or neutral liquid detergents. Avoid abrasive detergents.

### Warning:

Failure to carry out the basic standards of the cleaning of the cooker hood and replacement of the filters may cause fire risks. Therefore we recommend observing these instructions.

### Anti-grease Filter –

If situated inside the support grill, it may be one of the following types: **Paper filter** must be replaced once a month or if colouring appears on upper side, in such cases the colouring is evident through the grill openings.

**Sponge filter** should be washed with hot soapy water once a month and replaced every 5 to 6 washes.

**Metallic filter** must be cleaned once a month, with non abrasive detergents, by hand or in dishwasher on low temperature and short cycle.

To obtain access to the grease filter **J** open the grill **K** via the hooks **L** and free the grill from the stoppers **M**.

Some models are provided with a **metal filter N without support grill**, this filter should be washed as instructions noted for metallic filter above and is removed from its placing by pushing the handles **O** towards the back and sliding the filter **N** downwards.

When washed in a dish-washer, the grease filter may discolour slightly, but this does not affect its filtering capacity.

### Only for model with electronic control panel:

Once the grease filters have been cleaned, press button 1 (see preceding page) for about 3 seconds until you hear the acoustic signal (beep): the **LED 4** will now stop flashing.

### Carbon Filter

(2 pieces – only for filter version)

The active carbon filters **E** are not washable nor regenerative.

It should be changed every 6 months in normal use.

*The active carbon filters capture unpleasant cooking odours.*

Apply one on each side covering both grills protecting the motor propeller, then turn the filter central handles **P** clockwise.

In order to dismantle turn the central handle **P** anti-clockwise for each filter.

### Only for model with electronic control panel:

Once you have replaced the charcoal filter, press button 1 (see preceding page) for about 3 seconds until you hear the acoustic signal (beep).

LED 5 will now stop flashing.

## Replacing lightbulbs

Remove the anti-grease filter support grill or the anti-grease filter to attain access to the lightbulb area. Remove the damaged lightbulb and replace with an incandescent oval bulb max. 40W E14.

If the cooker-hood comes with a halogen light, take off its protection by unscrewing (**Z1**) or by removing it (**Z2** lifting with a small flat edged screwdriver). Remove the damaged bulb and substitute it with a max 20W halogen bulb (G4).

## Caution

This appliance is designed to be operated by adults. Children should not be allowed to tamper with the controls or play with the appliance. Do not use the cooker hood where the grill is not correctly fixed! The suctioned air must not be conveyed in the same channel used for fumes discharged by appliances powered by other than electricity. The environment must always be adequately aerated when the cooker hood and other appliances powered by other than electricity are used at the same time. Flambé cooking with a cooker hood is prohibited. The use of a free flame is damaging to the filters and may cause fire accidents, therefore free flame cooking must be avoided. Frying of foods must be kept under close control in order to avoid overheated oil catching fire. Carry out fumes discharging in accordance with the regulations in force by local laws for safety and technical restrictions.









## After Sales Service

**"No company is better positioned to offer an after sales service on a Hotpoint appliance than us - the manufacturer"**

As part of our commitment to you, all Hotpoint appliances have the added benefit of a fully inclusive parts and labour guarantee for the first 12 months. In addition to this you also have the advantage of **free replacement parts for the first 5 years** when fitted by a Hotpoint engineer. When the 12 months parts and labour guarantee expires we offer the following after sales service options:

### Repair Service and Information Help Desk

UK: 08709 066066

[www.hotpointservice.co.uk](http://www.hotpointservice.co.uk)

Republic of Ireland: 1850 302 200

Note: Our operators will require the Model number and the Serial number of your appliance

Available 364 days a year with a fast, effective and value for money service. We have the largest white goods repair service in the UK with over 1000 of our own fully trained engineers. All repairs include a parts and labour guarantee for 12 months from the date of the repair. If you require any information or have any questions about your appliance, our operators are on hand with help and advice.

All this ensures that you will receive the best available after sales service possible.

### Extended Warranties

UK: 08709 088 088

[www.hotpointservice.co.uk](http://www.hotpointservice.co.uk)

Republic of Ireland: 1850 502 200

Whether you have just one or a number of Hotpoint appliances in your kitchen, we offer two service cover plans to give you total peace of mind.

- Repair Protection Plan - FREE service repairs for a single Hotpoint appliance during the period of cover.
- Kitchen Cover - FREE service repairs for all your Hotpoint appliances less than 8 years old.

### Genuine Parts and Accessories

UK: 08709 077 077

[www.hotpointservice.co.uk](http://www.hotpointservice.co.uk)

Republic of Ireland: (01) 842 6836

A wide range of genuine parts and accessories are available from our hotline or through our website.

**Genuine parts and accessories, extended warranties and service repairs are all available on our web-site at:**



## Key Contacts

### After Sales Service

Over 1200 trained specialists, directly employed by us, ensure that you can have complete confidence in both the appliances and services we offer.



### Repair Service and Information Desk

UK: 08709 066 066

(Open 8 to 8 Mon - Fri, 8 to 6 Sat, 10 to 4 Sun & Bank Holidays)

[www.hotpointservice.co.uk](http://www.hotpointservice.co.uk)

Republic of Ireland: 1850 302 200

Note: Our operators will require the following information:

Model number:

Serial number:

### Extended Warranties

UK: 08709 088 088

(Open 8 to 8 Mon - Sun)

[www.hotpointservice.co.uk](http://www.hotpointservice.co.uk)

Republic of Ireland: 1850 502 200

### Genuine Parts and Accessories

UK: 08709 077 077

(Open 8-30 to 5-30 Mon - Fri & 9 to 12 Sat)

[www.hotpointservice.co.uk](http://www.hotpointservice.co.uk)

Republic of Ireland: (01) 842 6836

Indesit Company, Morley Way , Peterborough, PE2 9JB

## Free Manuals Download Website

<http://myh66.com>

<http://usermanuals.us>

<http://www.somanuals.com>

<http://www.4manuals.cc>

<http://www.manual-lib.com>

<http://www.404manual.com>

<http://www.luxmanual.com>

<http://aubethermostatmanual.com>

Golf course search by state

<http://golfingnear.com>

Email search by domain

<http://emailbydomain.com>

Auto manuals search

<http://auto.somanuals.com>

TV manuals search

<http://tv.somanuals.com>