



kitchen think

Instructions for Installation and Use

Electric Hood

To the Installer

**Before installation fill in the product details on the back cover of this book.
The information can be found on the rating plate.**

To the User

**You must read the instructions prior to installing and using the appliance and
then retain them for future reference.**



CE marking certifies that this appliance conforms to the following EEC directives:-

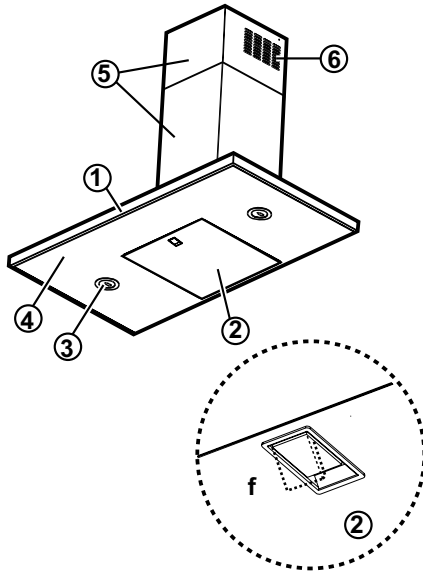
- Low Voltage Equipment 72/23/EEC
- Electromagnetic Compatibility 89/336/EEC

Retention of this Instruction Book

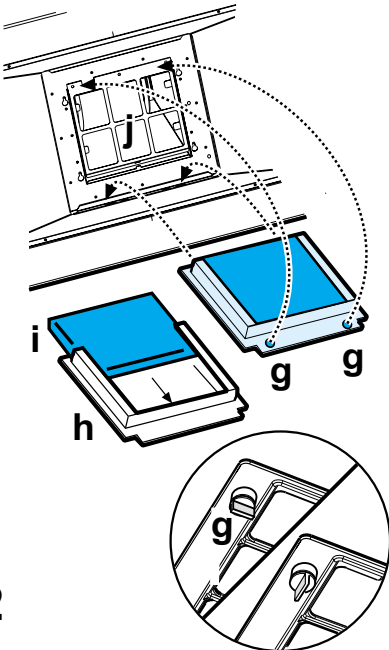
This Instruction Book must be kept handy for reference as it contains important details on the safe and proper use of the appliance.

If you sell or pass the appliance to someone else, or move house and leave it behind, make sure this Book is also provided so the new owner can become familiar with the appliance and safety warnings.

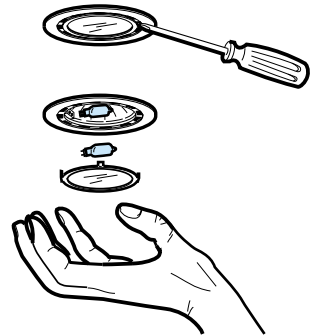
If the Book is lost or damaged a copy may be obtained from:
Merloni Elettrodomestici UK Ltd., Morley Way , Peterborough, PE2 9JB



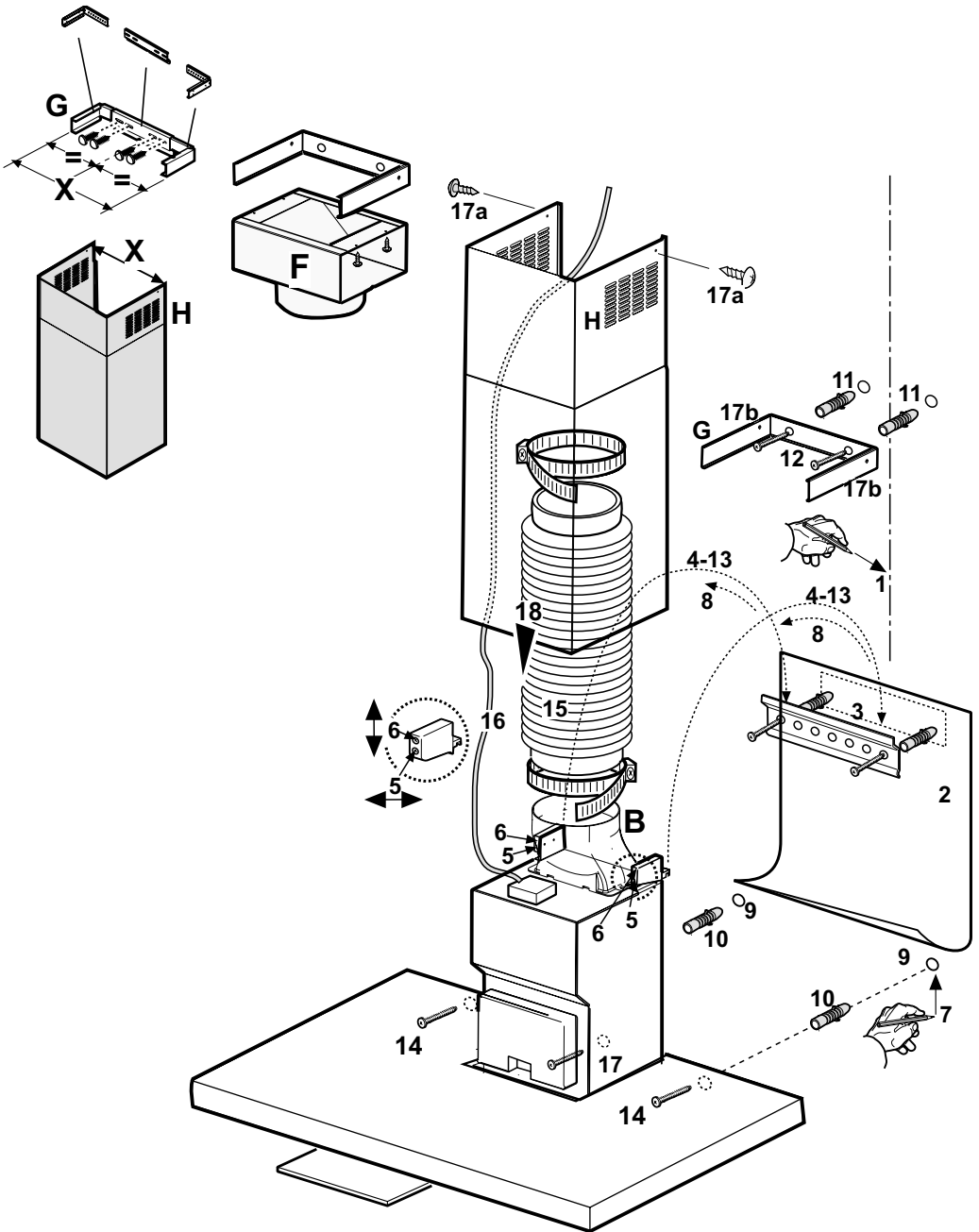
1



2



3



Consult the designs in the front pages referenced in the text by alphabet letters. **Closely follow the instructions set out in this manual.** All responsibility, for any eventual inconveniences, damages or fires caused by not complying with the instructions in this manual, is declined.

The cooker hood must be placed at a minimum distance of 50 cm from the cooking plane for electric cookers and 65cm for gas or mixed cookers.

If the appliance is installed above a gas cooking device with installation instructions specifying a greater clearance, you must take this into account.

Do not tile, grout or silicone this appliance to the wall. Surface mounting only.

The hood is equipped with a top air outlet **B** for discharge of fumes to the outside (**Ducting version** – exhaust pipe and pipe fixing clamps not provided).

Should it not be possible to discharge cooking fumes and vapour to the outside, the hood can be used in the **filter version**, fitting an activated carbon filter and the deflector **F**

on the support (bracket) **G**, fumes and vapours are recycled through the top grille **H** by means of an exhaust pipe connected to the top air outlet **B** and the connection ring mounted on the deflector **F** (exhaust pipe and pipe fixing clamps not provided).

The models with no suction motor only operate in ducting mode, and must be connected to an external suction device (not supplied).

Installation - Fig. 4

Preliminary information for installation of the hood:

Disconnect the hood during electrical connection, by turning the home mains switch off. Expansion wall plugs are provided to secure the hood to most types of walls/ceilings. However, a qualified technician must verify suitability of the materials in accordance with the type of wall/ceiling. The wall/ceiling must be strong enough to take the weight of the hood.

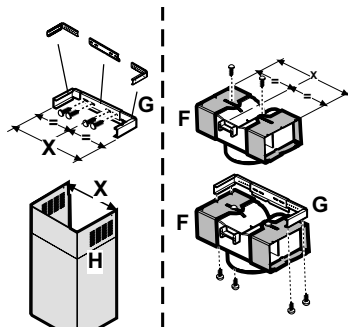
Do not tile, grout or silicone this appliance to the wall. Surface mounting only.

Do not fix chimney flue to furniture or fly over shelves unless the chimney flue can be easily removed, in case maintenance is ever required.

Where foreseen remove the grease collecting panels.

Remove the grease filter/s

Do not tile, grout or silicone this appliance to the wall. Surface mounting only. Do not fix chimney flue to furniture or fly over shelves unless the chimney flue can be easily removed, in case maintenance is ever required.



Assembling the chimney flue support/bracket (3 parts):

The three parts should be fixed with 4 screws, the support extension is adjustable and should correspond to the width of the

telescopic chimney flue.

Assembling the deflector (only when a deflector composed of 3 parts is supplied – the deflector should be only for the filter version):

The three parts should be fixed with 2 screws, the deflector extension is adjustable and should correspond to the width of the chimney flue support, to which it is then fixed.

- Using a pencil, draw a line on the wall, extending up to the ceiling, to mark the centre. This will facilitate installation.
- Rest the drilling template against the wall: the vertical centre line printed on the drilling template must correspond to the centre line drawn on the wall, and the bottom edge of the drilling template must correspond to the bottom edge of the hood: bear in mind that, when installation is complete, the underside of the hood must be at least 50 cm above the cooker top in the case of electric cookers, and at least 65 cm above the cooker top in the case of gas or mixed cookers.
- Rest the support bracket on the drilling template so that it coincides with the dotted rectangle, mark the two outer holes and drill them, remove the drilling template, insert 2 wall plugs and fix the hood support bracket into place using two 5x45mm screws.
- Hang the hood on the bracket.
- Adjust the distance of the hood from the wall.
- Adjust the horizontal position of the hood.
- Using a pencil mark the cooker hood permanent drill hole inside the suction group (two drill holes are necessary for fastening).
- Remove the hood from the bracket.
- Drill at the point marked (Ø8mm - see operation 7).
- Insert 2 wall plugs.
- Rest the chimney support bracket „G“ against the wall, touching the ceiling. Use the support bracket as a drilling template (the small slot formed on the support must coincide with the line drawn on the wall as above – operation 1) and mark 2 holes with a pencil, drill the holes (Ø8mm), insert 2 wall plugs.
- Fix the chimney support bracket to the wall using two 5x45mm screws.
- Hook the hood onto the bottom bracket.
- Fix the hood into its final position on the wall (ABSOLUTELY ESSENTIAL).
- Connect a pipe (pipe and pipe clamps not provided, to be purchased separately) for discharge of fumes to the connection ring located over the suction motor unit.
If the hood is to be used in ducting version, the other end of the pipe must be connected to a device expelling the fumes to the outside. If the hood is to be used in filter version, then fix the deflector **F** to the chimney support bracket **G** and connect the other extremity of the pipe to the connection ring placed on the deflector **F**.
- Make the electrical connections.
- Apply the chimney stacks and fasten them at the top to the chimney support „G“ (**17b**) using 2 screws (**17a**).
- Slide the bottom section of the chimney down until it completely covers the suction unit and slots into the housing provided on top of the hood.

Replace the grease filter/s (and where foreseen the grease collecting panels) and check that the hood is operating correctly.

Electrical connection

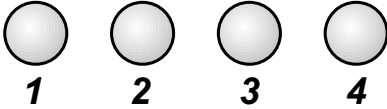
The electrical tension must correspond to the tension noted on the label placed inside the cooker hood. Connect the electrical plug, where provided, to the an easily accessible outlet in conformity with local standards in force.

Where an electrical plug is not provided (for direct connection to electrical network) place a standards approved bipolar switch with an aperture distance of not less than 3mm (accessible) from the contacts.

Description of the hood - Fig. 1

- 1 Control panel
- 2 Grease filter
- 3 Lamp
- 4 Vapour screen
- 5 Telescopic chimney
- 6 Air outlet (used for filter version only)

Operation



1. on/off light switch
2. key OFF/ON suction and power selection of suction 1
2. + 3. power selection of suction 2
2. + 3. + 4. power selection of suction 3

Use the high suction speed in cases of concentrated kitchen vapours. It is recommended that the cooker hood suction is switched on for 5 minutes prior to cooking and to leave in operation during cooking and for another 15 minutes approximately after terminating cooking.

If the hood fails to operate correctly, briefly disconnect it from the mains power supply for almost 5 sec. by pulling out the plug. Then plug it in again and try once more before contacting the Technical Assistance Service.

Maintenance

Prior to any maintenance operation ensure that the cooker hood is disconnected from the power supply.

Cleaning the hood

The cooker hood should be cleaned regularly internally and externally. For cleaning use a cloth moistened with denatured alcohol or neutral liquid detergents. Avoid abrasive detergents.

Warning:

Failure to carry out the basic standards of the cleaning of the cooker hood and replacement of the filters may cause fire risks. Therefore we recommend observing these instructions.

Grease filter

This must be cleaned once a month using non aggressive detergents, either by hand or in the dish-washer, which must be set to a low temperature and a short cycle.

When washed in a dish-washer, the grease filter may discolour slightly, but this does not affect its filtering capacity.

To remove the grease filter, pull the spring release handle (f) - (Fig. 1).

Charcoal filter (filter version only)

It absorbs unpleasant odours caused by cooking.

The charcoal filter can be washed once every two months using hot water and a suitable detergent, or in a dish-washer at 65°C (if the dish-washer is used, select the full cycle function and leave dishes out). Eliminate excess water without damaging the filter, then remove the mattress located inside the plastic frame and put it in the oven for 10 minutes at 100° C to dry completely. Replace the mattress every 3 years and when the cloth is damaged.

Remove the filter holder frame by turning the knobs (g) 90° that affix

the chimney to the cooker hood (Fig. 2).

Insert the pad (i) of activated carbon into the frame (h) and fit the whole back into its housing (j).

Replacing lamps - Fig. 3

Warning!

Prior to touching the light bulbs ensure they are cooled down.

1. Extract the guard by levering it off with a small screwdriver or similar tool.
2. Replace the damaged light bulb.
Only use halogen bulbs of 20W max (G4), making sure you do not touch them with your hands.
3. Close the lamp cover (it will snap shut).

If the lights do not work, make sure that the lamps are fitted properly into their housings before you call for technical assistance.

Caution

The appliance is not intended for use by young children or infirm persons without supervision.

Young children should be supervised to ensure that they do not play with the appliance.

WARNING - Ensure that the appliance is switched off before replacing the lamp to avoid the possibility of electric shock.

Do not use the cooker hood where the grill is not correctly fixed! The suctioned air must not be conveyed in the same channel used for fumes discharged by appliances powered by other than electricity. The environment must always be adequately aerated when the cooker hood and other appliances powered by other than electricity are used at the same time. Flambé cooking with a cooker hood is prohibited. The use of a free flame is damaging to the filters and may cause fire accidents, therefore free flame cooking must be avoided. Frying of foods must be kept under close control in order to avoid overheated oil catching fire. Carry out fumes discharging in accordance with the regulations in force by local laws for safety and technical restrictions.



After Sales Service

"No company is better positioned to offer an after sales service on a Hotpoint appliance than us - the manufacturer"

As part of our commitment to you, all Hotpoint appliances have the added benefit of a fully inclusive parts and labour guarantee for the first 12 months. In addition to this you also have the advantage of **free replacement parts for the first 5 years** when fitted by a Hotpoint engineer. When the 12 months parts and labour guarantee expires we offer the following after sales service options:

Repair Service and Information Help Desk

UK: 08709 066066

www.hotpointservice.co.uk

Republic of Ireland: 1850 302 200

Note: Our operators will require the Model number and the Serial number of your appliance

Available 364 days a year with a fast, effective and value for money service. We have the largest white goods repair service in the UK with over 1000 of our own fully trained engineers. All repairs include a parts and labour guarantee for 12 months from the date of the repair. If you require any information or have any questions about your appliance, our operators are on hand with help and advice.

All this ensures that you will receive the best available after sales service possible.

Extended Warranties

UK: 08709 088 088

www.hotpointservice.co.uk

Republic of Ireland: 1850 502 200

Whether you have just one or a number of Hotpoint appliances in your kitchen, we offer two service cover plans to give you total peace of mind.

- Repair Protection Plan - FREE service repairs for a single Hotpoint appliance during the period of cover.
- Kitchen Cover - FREE service repairs for all your Hotpoint appliances less than 8 years old.

Genuine Parts and Accessories

UK: 08709 077 077

www.hotpointservice.co.uk

Republic of Ireland: (01) 842 6836

A wide range of genuine parts and accessories are available from our hotline or through our website.

Genuine parts and accessories, extended warranties and service repairs are all available on our web-site at:



Key Contacts

After Sales Service

Over 1200 trained specialists, directly employed by us, ensure that you can have complete confidence in both the appliances and services we offer.



Repair Service and Information Desk

UK: 08709 066 066

(Open 8 to 8 Mon - Fri, 8 to 6 Sat, 10 to 4 Sun & Bank Holidays)

www.hotpointservice.co.uk

Republic of Ireland: 1850 302 200

Note: Our operators will require the following information:

Model number:

Serial number:

Extended Warranties

UK: 08709 088 088

(Open 8 to 8 Mon - Sun)

www.hotpointservice.co.uk

Republic of Ireland: 1850 502 200

Genuine Parts and Accessories

UK: 08709 077 077

(Open 8-30 to 5-30 Mon - Fri & 9 to 12 Sat)

www.hotpointservice.co.uk

Republic of Ireland: (01) 842 6836

Free Manuals Download Website

<http://myh66.com>

<http://usermanuals.us>

<http://www.somanuals.com>

<http://www.4manuals.cc>

<http://www.manual-lib.com>

<http://www.404manual.com>

<http://www.luxmanual.com>

<http://aubethermostatmanual.com>

Golf course search by state

<http://golfingnear.com>

Email search by domain

<http://emailbydomain.com>

Auto manuals search

<http://auto.somanuals.com>

TV manuals search

<http://tv.somanuals.com>