

# Instructions for use

## WASHING MACHINE

**GB**

**English, 1**

**F**

Français, 13

**CIS**

РУССКИЙ, 25

**ES**

Español, 37

**IT**

Italiano, 49

**GR**

ΕΛΛΗΝΙΚΑ, 61

**AVTL 83**

### Contents

#### Installation, 2-3

Unpacking and levelling, 2  
Electric and water connections, 2-3  
The first wash cycle, 3  
Technical details, 3

#### Washing machine description, 4-5

Control panel, 4  
How to open and shut the drum, 5  
Leds, 5

#### Starting and Programmes, 6

Briefly: how to start a programme, 6  
Programme table, 6

#### Personalisations, 7

Setting the temperature, 7  
Setting the spin cycle, 7  
Functions, 7

#### Detergents and laundry, 8

Detergent dispenser, 8  
Bleach cycle, 8  
Preparing your laundry, 8  
Special items, 8  
Woolmark Platinum Care, 8

#### Precautions and advice, 9

General safety, 9  
Disposal, 9  
Saving energy and respecting the environment, 9

#### Care and maintenance, 10

Cutting off the water or electricity supply, 10  
Cleaning your appliance, 10  
Caring for your appliance door and drum, 10  
Cleaning the pump, 10  
Checking the water inlet hose, 10  
Cleaning the detergent dispenser, 10

#### Troubleshooting, 11

#### Service, 12

Before calling for Assistance, 12

 **Hotpoint**  

---

**ARISTON**

**GB**

# Installation

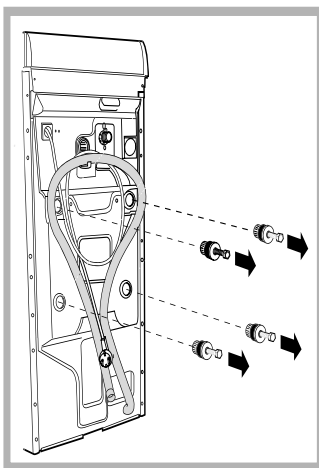
GB

! Keep this instruction manual in a safe place for future reference. Should the appliance be sold, transferred or moved, make sure the instruction manual accompanies the washing machine to inform the new owner as to its operation and features.

! Read these instructions carefully: they contain vital information on installation, use and safety.

## Unpacking and levelling

### Unpacking



1. Unpack the washing machine.
2. Check whether the washing machine has been damaged during transport. If this is the case, do not install it and contact your retailer.
3. Remove the four protective screws and the rubber washer with the respective spacer, situated on the rear of the appliance (see figure).

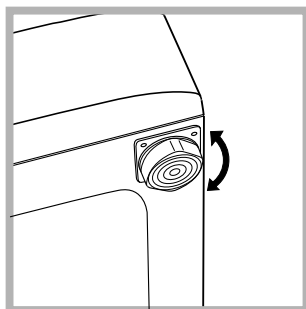
4. Seal the gaps using the plastic plugs provided.
5. Keep all the parts: you will need them again if the washing machine needs to be moved to another location.

Warning: should the screws be re-used, make sure you fasten the shorter ones at the top.

! Packaging materials are not children's toys.

### Levelling

Your machine may make a considerable amount of noise if the two front feet have not been adjusted correctly.



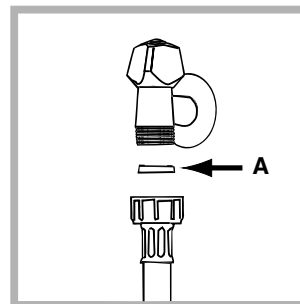
1. Install the washing machine on a flat sturdy floor, without resting it up against walls, furniture cabinets or other.
2. If the floor is not perfectly level, compensate for any unevenness by tightening or

loosening the adjustable front feet (see figure); the angle of inclination, measured according to the worktop, must not exceed 2°.

Levelling your appliance correctly will provide it with stability and avoid any vibrations, noise and shifting during operation. If it is placed on a fitted or loose carpet, adjust the feet in such a way as to allow enough room for ventilation beneath the washing machine.

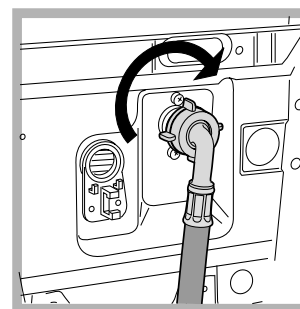
## Electric and water connections

### Connecting the water inlet hose



1. Insert seal A into the end of the inlet hose and screw the latter onto a cold water tap with a 3/4 gas threaded mouth (see figure).

Before making the connection, allow the water to run freely until it is perfectly clear.

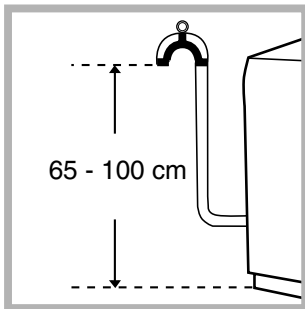


2. Connect the other end of the water inlet hose to the washing machine, screwing it onto the appliance's cold water inlet, situated on the top right-hand side on the rear of the appliance (see figure).

3. Make sure there are no kinks or bends in the hose.

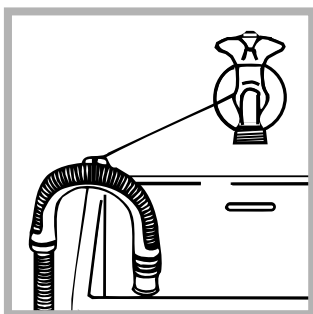
! The water pressure at the tap must be within the values indicated in the Technical details table (on the next page).

! If the water inlet hose is not long enough, contact a specialist store or an authorised serviceman.



**Connecting the drain hose**

Connect the drain hose, without bending it, to a draining duct or a wall drain situated between 65 and 100 cm from the floor;



alternatively, place it over the edge of a basin, sink or tub, fastening the duct supplied to the tap (see figure). The free end of the hose should not be

underwater.

! We advise against the use of hose extensions; in case of absolute need, the extension must have the same diameter as the original hose and must not exceed 150 cm in length.

**Electric connection**

Before plugging the appliance into the mains socket, make sure that:

- the socket is earthed and in compliance with the applicable law;
- the socket is able to sustain the appliance's maximum power load indicated in the Technical details table (on the right);
- the supply voltage is included within the values indicated on the Technical details table (on the right);
- the socket is compatible with the washing machine's plug. If this is not the case, replace the socket or the plug.

! The washing machine should not be installed in an

outdoor environment, not even when the area is sheltered, because it may be very dangerous to leave it exposed to rain and thunderstorms.

! When the washing machine is installed, the main socket must be within easy reach.

! Do not use extensions or multiple sockets.

! The power supply cable must never be bent or dangerously compressed.



! The power supply cable must only be replaced by an authorised serviceman.

Warning! The company denies all liability if and when these norms are not respected.

**The first wash cycle**

Once the appliance has been installed, and before you use it for the first time, run a wash cycle with detergent and no laundry, setting the 90°C programme without a pre-wash cycle.

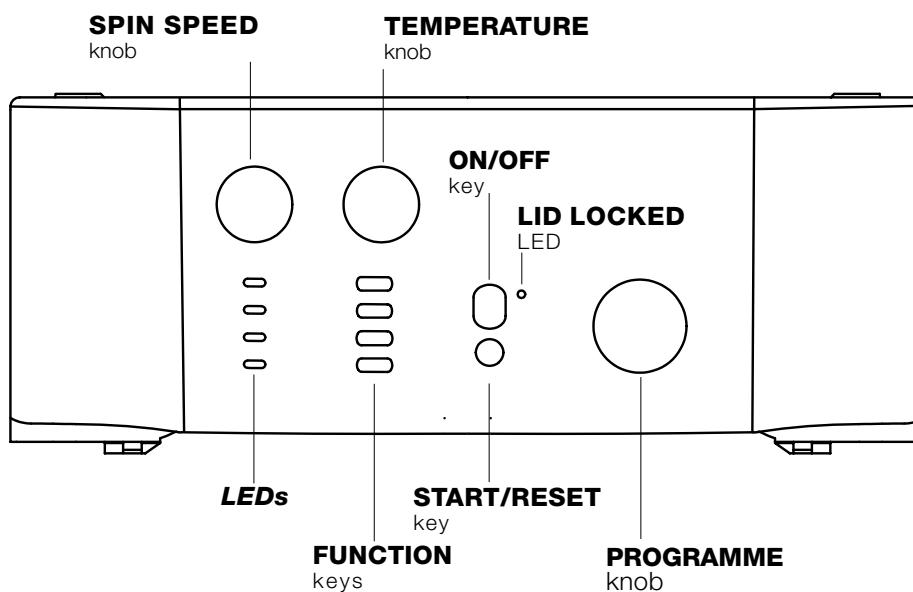
**Technical details**

<b>Model</b>	AVTL 83
<b>Dimensions</b>	40 cm wide 85 cm high 60 cm deep
<b>Capacity</b>	from 1 to 5 kg
<b>Electric connections</b>	Please refer to the technical data plate fixed to the machine.
<b>Water connections</b>	maximum pressure 1 MPa (10 bar) minimum pressure 0.05 MPa (0.5 bar) drum capacity 42 litres
<b>Spin speed</b>	up to 800 rpm
<b>Control programmes according to EN 60456 directive</b>	programme 3; temperature 60°C; run with a load of 5 kg.
 	This appliance is compliant with the following European Community Directives: - 89/336/CEE of 03/05/89 (Electromagnetic Compatibility) and subsequent amendments - 2006/95/CE (Low voltage) - 2002/96/CE

# Washing machine description

GB

## Control panel



**Detergent dispenser** to add detergent and fabric softener (see page 8).

**LEDs** to find out which wash cycle phase is under way. If the Delay Timer function has been set, the time left until the programme starts will be indicated (see page 5).

**SPIN SPEED** knob to set the spin speed or exclude the spin cycle completely (see page 7).

**FUNCTION** keys to select the functions available. The button corresponding to the function selected will remain on.

**TEMPERATURE** knob to set the temperature or the cold wash cycle (see page 7).

**ON/OFF** key to turn the washing machine on and off.

**START/RESET** key to start the programmes or cancel incorrect settings.

**ON-OFF/LID LOCK** led ,to find out whether the washing machine is on (flashing) and if the lid may be opened (see page 5).

**PROGRAMME** knob to set the programmes (see page 6).  
The knob stays still during the cycle.

### **ON-OFF/LID LOCK led:**

If this LED is on, the appliance Lid is locked to prevent it from being opened accidentally; to avoid any damages, you must wait for the lamp to flash before you open the Lid.

**!** The rapid flashing of the ON-OFF/LID LOCK Led together with the flashing of at least one other LED indicates there is an abnormality (see page 11).

## How to open and to close the drum

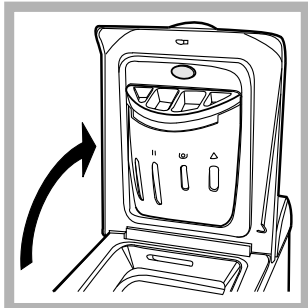


Fig. 1

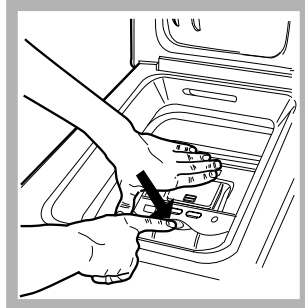


Fig. 2

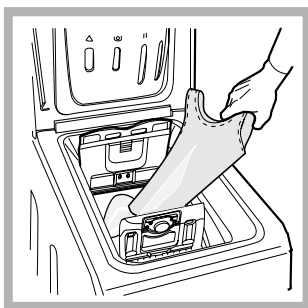


Fig. 3

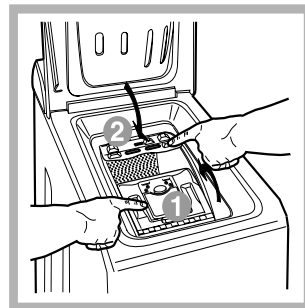


Fig. 4

### A) Opening (Fig. 1).

Lift the external lid and open it completely.

### B) Then open the drum using both hands as shown in Fig. 2:

- press the button indicated by the arrow in Fig. 2 lightly downwards, with one hand firmly resting on the doors to prevent them from suddenly opening and hurting your fingers;
- therefore follow the appliance doors along as these unhook and open easily.

### C) Loading the washing machine. (Fig. 3).

### D) Shutting (Fig. 4).









- close the drum fully by first shutting the front door followed by the rear one;
- then ensure the hooks on the front door are perfectly housed within the seat of the rear door;
- after the hooks have clicked into position, press both doors lightly downwards to make sure they do not come loose;
- finally shut the external lid.

## Leds

The LEDS provide important information. This is what they can tell you:

### Cycle phase under way:

During the wash cycle, the LEDs gradually illuminate on to indicate the cycle phase under way:

		Prewash
		Wash
		Rinse
		Spin cycle

Note: during draining, the LED corresponding to the Spin cycle phase will be turned on.

## Function keys

The FUNCTION KEYS also act like LEDS.

When a function is selected, the corresponding button is illuminated.



If the function selected is incompatible with the programme set, the button will flash and the function will not be enabled.

If you set a function that is incompatible with another function you selected previously, only the last one selected will be enabled.





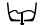
# Starting and Programmes

GB

## Briefly: starting a programme

- Switch the washing machine on by pressing button . All the LEDs will light up for a few seconds and the ON-OFF/DOOR LOCK Led will begin to flash.
- Load your laundry into the washing machine, add the detergent and any fabric softener (see page 8) and shut the appliance door.
- Set the PROGRAMME knob to the programme required.
- Set the wash temperature (see page 7).
- Set the spin speed (see page 7).
- Start the programme by pressing the START/RESET button.  
To cancel it, keep the START/RESET button pressed for at least 2 seconds.
- When the programme is finished, the ON-OFF/DOOR LOCK Led will flash to indicate that the appliance door can be opened. Take out your laundry and leave the appliance door ajar to allow the drum to dry thoroughly. Turn the washing machine off by pressing button .

## Programme table

Type of fabric and degree of soil	Programmes	Wash temperature	Detergent		Fabric softener	Bleaching /option Bleach	Cycle length (minutes)	Description of wash cycle
			Pre-wash	Wash				
<b>Cotton</b>								
Extremely soiled whites (sheets, tablecloths, etc.)	1	90°C	•	•	•		155	Pre-wash, wash cycle, rinse cycles, intermediate and final spin cycles
Extremely soiled whites (sheets, tablecloths, etc.)	2	90°C		•	•	Delicate/Traditional	147	Wash cycle, rinse cycles, intermediate and final spin cycles
Heavily soiled whites and fast colours	3	60°C		•	•	Delicate/Traditional	157	Wash cycle, rinse cycles, intermediate and final spin cycles
Heavily soiled whites and fast colours	4	40°C		•	•	Delicate/Traditional	96	Wash cycle, rinse cycles, intermediate and final spin cycles
Slightly soiled whites and delicate colours (shirts, jumpers, etc.)	5	30°C		•	•	Delicate/Traditional	88	Wash cycle, rinse cycles, intermediate and final spin cycles
<b>Synthetics</b>								
Heavily soiled fast colours (baby linen, etc.)	6	60°C		•	•	Delicate	97	Wash cycle, rinse cycles, anti-crease or delicate spin cycle
Heavily soiled fast colours (baby linen, etc.)	7	50°C		•	•	Delicate	93	Wash cycle, rinse cycles, anti-crease or delicate spin cycle
Delicate colours (all types of slightly soiled garments)	8	40°C		•	•	Delicate	83	Wash cycle, rinse cycles, anti-crease or delicate spin cycle
Delicate colours (all types of slightly soiled garments)	9	30°C		•	•		33	Wash cycle, rinse cycles and delicate spin cycle
<b>Delicate</b>								
Wool	10	40°C		•	•	Delicate	48	Wash cycle, rinse cycles and delicate spin cycle
Very delicate fabrics (curtains, silk, viscose, etc.)	11	30°C		•	•		55	Wash cycle, rinse cycles, anti-crease or draining cycle
<b>PARTIAL PROGRAMMES</b>								
Rinse					•			Rinse cycles and spin cycle
Delicate rinse cycle					•			Rinse cycles, anti-crease or draining
Spin cycle								Draining and heavy duty spin cycle
Delicate spin cycle								Draining and delicate spin cycle
Draining								Draining

## Notes


For the anti-crease function: see Easy iron, *opposite page*. The information contained in the table is purely indicative.

## Special programme

*Daily 30'* (programme 9 for Synthetics) is designed to wash lightly soiled garments in a short amount of time: it only lasts 30 minutes and allows you to save on both time and energy. By setting this programme (9 at 30°C), you can wash different fabrics together (except for woollen and silk items), with a maximum load of 3 kg.

*We recommend the use of liquid detergent.*


## **Setting the temperature**

Turn the TEMPERATURE knob to set the wash temperature (see Programme table on page 6).  
The temperature can be lowered, or even set to a cold wash .

## **Setting the spin speed**

Turn the SPIN SPEED knob to set the spin speed for the programme selected.  
The maximum spin speeds for each programme are as follows:

Programmes	Maximum spin speed
Cottone	800 rpm
Synthetics	800 rpm
Wool	600 rpm
Silk	no

The spin speed can be lowered, or the spin cycle can be excluded altogether by selecting symbol . The washing machine will automatically prevent you from selecting a spin speed higher than the maximum speed for each programme.



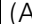



**!** To avoid excessive vibrations, before every spin cycle the machine distributes the load in a uniform manner by continuously rotating the drum at a speed which is slightly faster than the normal washing speed. When, despite repeated attempts, the load is still not evenly distributed, the machine spins at a lower speed than the set frequency. If the load is excessively unbalanced, the machine attempts to distribute it instead of spinning. The balancing attempts may extend the total duration of the cycle, up to a maximum of 10 minutes.

## **Functions**

To enable a function:

1. press the button corresponding to the desired function, according to the table below;
2. the function is enabled when the corresponding button is illuminated.

Note: The rapid flashing of the button indicates that the corresponding function cannot be selected for the programme set.

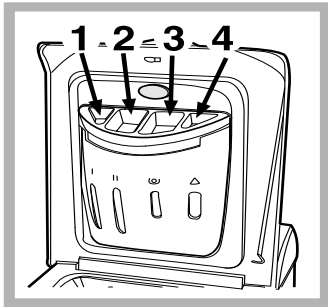
Function	Effect	Comments	Enabled with programmes:
<b>Super Wash</b> 	Allows for an impeccable wash, visibly whiter than a standard Class A wash.	This function is incompatible with the RAPID function.	1, 2, 3, 4, 5, 6, 7, 8
<b>Easy iron</b> 	This option reduces the amount of creasing on fabrics, making them easier to iron.	When this function is set, programmes 6, 7, 8, 11 and Delicate rinse will end with the laundry left to soak (Anti-crease) and the Rinse cycle phase LED  will flash. - to conclude the cycle, press the START/RESET button; - to run the draining cycle alone, set the knob to the relative symbol  and press the START/RESET button.	All programmes except for 1, 2, 9, 10 and Draining.
<b>Rapid</b> 	Cuts the duration of the wash cycle by 30%.	This function is incompatible with the SUPER WASH function.	1, 2, 3, 4, 5, 6, 7, 8 Rinses
<b>Extra Rinse</b> 	Increases the efficiency of the rinse.	Recommended when the appliance has a full load or with large quantities of detergent.	1, 2, 3, 4, 5, 6, 7, 8, and Rinse cycles.

# Detergents and laundry

GB

## Detergent dispenser

Good washing results also depend on the correct dose of detergent: adding too much detergent won't necessarily make for a more efficient wash, and may in fact cause build up on the interior of your appliance and even pollute the environment.



Open up the detergent dispenser and pour in the detergent and fabric softener, as follows.

### compartment 1: Detergent for pre-wash

### compartment 2: Detergent for the wash cycle (powder or liquid)

It is recommended that you place liquid detergent directly into the compartment using the appropriate dosing cup.

### compartment 3: Additives (softener, etc.)


When pouring the softener in compartment 3, avoid exceeding the "max" level indicated. The softener is added automatically into the machine during the last wash. At the end of the wash programme, some water will be left in compartment 3. This is used for the inlet of denser fabric softeners into the machine, i.e. to dilute the more concentrated softeners. Should more than a normal amount of water remain in compartment 3, this means the emptying device is blocked. For cleaning instructions, see page 10.

### compartment 4: Bleach

**!** Do not use hand wash detergent because it may form too much foam.

## Bleach cycle

**Traditional** bleach should be used on sturdy white fabrics, and **delicate** bleach for coloured fabrics, synthetics and for wool.

When pouring in the bleach, be careful not to exceed the "max" level indicated on compartment 4 .. To run the bleach cycle alone, pour the bleach into compartment 4 and set the Extra Rinse option .

## Preparing your laundry

- Divide your laundry according to:
  - the type of fabric/the symbol on the label.
  - the colours: separate coloured garments from whites.
- Empty all pockets and check for loose buttons.
- Do not exceed the weight limits stated below, which refer to the weight when dry:
  - Sturdy fabrics: max 5 kg
  - Synthetic fabrics: max 2.5 kg
  - Delicate fabrics: max 2 kg
  - Wool: max 1 kg

### How much does your laundry weigh?

- 1 sheet 400-500 g
- 1 pillow case 150-200 g
- 1 tablecloth 400-500 g
- 1 bathrobe 900-1,200 g
- 1 towel 150-250 g

## Special items

**Curtains:** fold curtains and place them in a pillow case or mesh bag. Wash them separately without exceeding half the appliance load. Use programme 11 which excludes the spin cycle automatically.

**Quilted coats and windbreakers:** if they are padded with goose or duck down, they can be machine-washed. Turn the garments inside out and load a maximum of 2-3 kg, repeating the rinse cycle once or twice and using the delicate spin cycle.

**Trainers:** remove any mud. They can be washed together with jeans and other tough garments, but not with whites.

**Wool:** for best results, use a specific detergent, taking care not to exceed a load of 1 kg.

## Woolmark Platinum Care

### As gentle as a hand wash.



Hotpoint Ariston sets a new standard of superior performance that has been endorsed by The Woolmark Company with the prestigious Woolmark Platinum Care brand. Look for the Woolmark Platinum Care logo on the washing machine to ensure you can safely and effectively wash wool garments labelled as "hand wash" (M.0303):

Set programme 10 for all "Hand wash"  garments, using the appropriate detergent (max load 1 kg).



! The washing machine was designed and built in compliance with the applicable international safety regulations. The following information is provided for your safety and should consequently be read carefully.

## General safety

- This appliance has been designed for non-professional, household use and its functions must not be changed.
- This washing machine should only be used by adults and in accordance with the instructions provided in this manual.
- Never touch the washing machine when barefoot or with wet or damp hands or feet.
- Do not pull on the power supply cable to unplug the appliance from the electricity socket. Pull the plug out yourself.
- Do not open the detergent dispenser while the appliance is in operation.
- Do not touch the drain water as it could reach very high temperatures.
- Never force the washing machine door: this could damage the safety lock mechanism designed to prevent any accidental openings.
- In the event of a malfunction, do not under any circumstances touch internal parts in order to attempt repairs.
- Always keep children well away from the appliance while in operation.
- The appliance door tends to get quite hot during the wash cycle.
- Should it have to be moved, proceed with the help of two or three people and handle it with the utmost care. Never try to do this alone, because the appliance is very heavy.
- Before loading your laundry into the washing machine, make sure the drum is empty.

## Disposal

- Disposing of the packaging material: observe local regulations, so the packaging can be re-used.
- Disposal of old electrical appliances  
The European Directive 2002/96/EC on Waste Electrical and Electronic Equipment (WEEE), requires that old household electrical appliances must not be disposed of in the normal unsorted municipal waste stream. Old appliances must be collected

separately in order to optimise the recovery and recycling of the materials they contain and reduce the impact on human health and the environment. The crossed out "wheeled bin" symbol on the product reminds you of your obligation, that when you dispose of the appliance it must be separately collected.

Consumers should contact their local authority or retailer for information concerning the correct disposal of their old appliance.

- Disposing of an old washing machine:  
before scrapping your appliance, cut the power supply cable and remove the appliance door.

## Saving energy and respecting the environment

### Environmentally-friendly technology

If you only see a little water through your appliance door, this is because thanks to the latest technology, your washing machine only needs less than half the amount of water to get the best results: an objective reached to respect the environment.

### Saving on detergent, water, energy and time

- To avoid wasting resources, the washing machine should be used with a full load. A full load instead of two half loads allows you to save up to 50% on energy.
- The pre-wash cycle is only necessary on extremely soiled garments. Avoiding it will save on detergent, time, water and between 5 and 15% energy.
- Treating stains with a stain remover or leaving them to soak before washing will cut down the need to wash them at high temperatures. A programme at 60°C instead of 90°C or one at 40°C instead of 60°C will save up to 50% on energy.
- Use the correct quantity of detergent depending on the water hardness, how soiled the garments are and the amount of laundry you have, to avoid wastage and to protect the environment: despite being biodegradable, detergents do contain ingredients that alter the natural balance of the environment. In addition, avoid using fabric softener as much as possible.
- If your laundry has to be dried in a tumble dryer, select a high spin speed. Having the least water possible in your laundry will save you time and energy in the drying process.

# Care and maintenance

GB

## Cutting off the water or electricity supply

- Turn off the water tap after every wash. This will limit the wear of your appliance's water system and also prevent leaks.
- Unplug your appliance when cleaning it and during all maintenance operations.

## Cleaning your appliance

The exterior and rubber parts of your appliance can be cleaned with a soft cloth soaked in lukewarm soapy water. Do not use solvents or abrasives.

## Cleaning the detergent dispenser

Remove the dispenser by raising it and pulling it out (see figure). Wash it under running water; this operation should be repeated frequently.

## Caring for your appliance door and drum

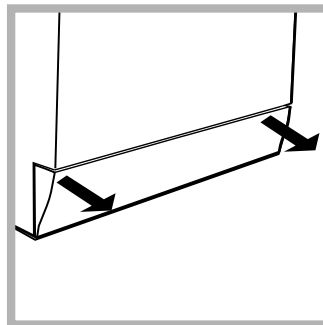
- Always leave the appliance door ajar to prevent unpleasant odours from forming.

## Cleaning the pump

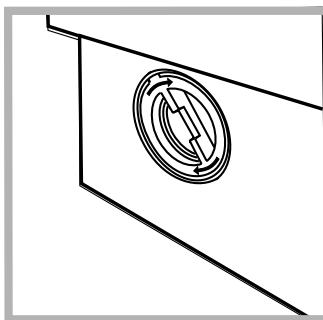
The washing machine is fitted with a self-cleaning pump that does not require any maintenance. Sometimes, small items (such as coins or buttons) may fall into the pre-chamber that protects the pump, situated in the lower part of the same.

! Make sure the wash cycle has ended and unplug the appliance.

To recover any objects that have fallen into the pre-chamber:



1. remove the plinth at the bottom on the front side of the washing machine by pulling from the side with your hands (see diagram); (see figure);
2. unscrew the lid rotating it anticlockwise (see figure): a little water may trickle out. This is perfectly normal;
3. clean the interior thoroughly;
4. screw the lid back on;
5. reposition the panel, making sure the hooks are securely in place before you push it onto the appliance.



## Checking the water inlet hose

Check the water inlet hose at least once a year. If you see any cracks, replace it immediately: during the wash cycles, water pressure is very strong and a cracked hose could easily split open.

! Never use hoses that have already been used.

## How to clean the detergent dispenser

### Disassembly:

Press lightly on the large button on the front of the detergent dispenser and pull it upwards (fig. 1).

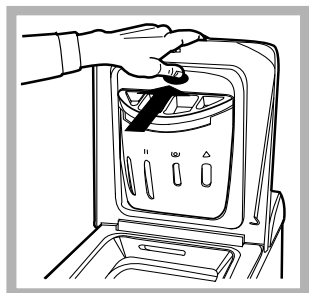


Fig. 1

### Cleaning:

Then clean the dispenser under a tap (fig. 3) using an old toothbrush and, once the pair of siphons inserted in the top of compartments 1 and 2 (fig. 4) have been pulled out, check whether the same are not clogged and then rinse them.

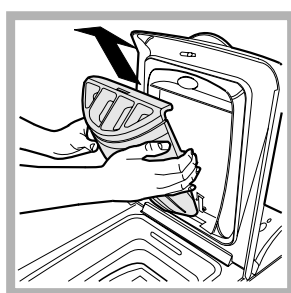


Fig. 2

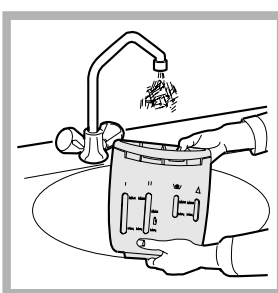


Fig. 3

### Reassembly:

Do not forget to reinsert the pair of siphons into the special housings and then to replace the dispenser into its seat, clicking it into place (fig. 4, 2 and 1).

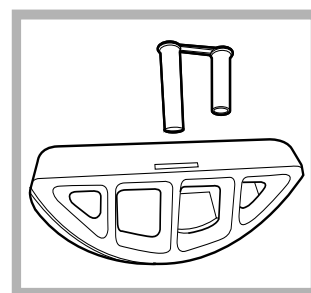


Fig. 4

Your washing machine could fail to work. Before calling for Assistance (see page 12), make sure the problem can't easily be solved by consulting the following list.


## Problem

## Possible causes/Solution:

**The washing machine won't start.**

- The appliance is not plugged into the socket, or not enough to make contact.
- There has been a power failure.

**The wash cycle won't start.**

- The appliance Lid is not shut properly. The Lid locked Led flashes.
- The  button has not been pressed.
- The START/RESET button has not been pressed.
- The water tap is not turned on.

**The washing machine fails to load water.**

- The water inlet hose is not connected to the tap.
- The hose is bent.
- The water tap is not turned on.
- There is a water shortage.
- The water pressure is insufficient.
- The START/RESET button has not been pressed.

**The washing machine continuously loads and unloads water.**

- The drain hose is not fitted between 65 and 100 cm from the floor (see page 3).
- The free end of the hose is underwater (see page 3).
- The wall drainage system doesn't have a breather pipe.

If the problem persists even after these checks, turn off the water tap, switch the appliance off and call for Assistance. If the dwelling is on one of the upper floors of a building, there may be drain trap problems causing the washing machine to load and unload water continuously. In order to avoid such an inconvenience, special anti-drain trap valves are available in shops.

**The washing machine does not drain or spin.**

- The programme does not foresee the draining: some programmes require enabling the draining manually (see page 6).
- The Easy iron option is enabled: to complete the programme, press the START/RESET button (see page 7).
- The drain hose is bent (see page 3).
- The drain duct is clogged.

**The washing machine vibrates too much during the spin cycle.**

- When the machine is installed, the locking screws for the oscillating assembly are still in place. Remove the screws (see page 2).
- The washing machine is not level (see page 2).
- The washing machine is closed in between furniture cabinets and the wall (see page 2).

**The washing machine leaks.**

- The water inlet hose is not screwed on correctly (see page 2).
- The detergent dispenser is obstructed (to clean it, see page 10).
- The drain hose is not secured properly (see page 3).

**The ON-OFF/DOOR LOCK Led flashes rapidly at the same time as at least one other LED.**

- Switch off the machine and unplug the appliance; wait for approximately 1 minute then switch it on again.  
If the problem persists, contact Assistance.

**There is too much foam.**

- The detergent is not suitable for machine washing (it should bear the definition "for washing machines" or "hand and machine wash", or the like).
- You used too much detergent.

**Before calling for Assistance:**

- Check whether you can solve the problem on your own (*see page 11*);
- Restart the programme to check whether the problem has been solved;
- If this is not the case, contact an authorised Technical Service Centre on the telephone number provided on the guarantee certificate.

! If the machine has been installed or used incorrectly, you may be charged for the maintenance callout service.

! Always request the assistance of authorised servicemen.

**Notify the operator of:**

- the type of problem;
- the appliance model (Mod.);
- the serial number (S/N);

This information can be found on the data plate situated on the rear of the washing machine.

F

Français

AVTL 83

 **Hotpoint**  
ARISTON

## Sommaire

### Installation, 14-15

Déballage et mise à niveau, 14  
Raccordements hydrauliques et électriques, 14-15  
Premier cycle de lavage, 15  
Caractéristiques techniques, 15

### Description du lave-linge, 16-17

Bandeau de commandes, 16  
Comment ouvrir et fermer le tambour, 17  
Ecran, 17

### Mise en marche et Programmes, 18

En bref: démarrage d'un programme, 18  
Tableau des programmes, 18

### Personnalisations, 19

Réglage de la température, 19  
Réglage de l'essorage, 19  
Options, 19

### Produits lessiviels et linge, 20

Tiroir à produits lessiviels, 20  
Cycle blanchissage, 20  
Triage du linge, 20  
Pièces de linge particulières, 20  
Woolmark Platinum Care, 20

### Précautions et conseils, 21

Sécurité générale, 21  
Mise au rebut, 21  
Economies et respect de l'environnement, 21

### Entretien et soin, 22

Coupure de l'arrivée d'eau et de courant, 22  
Nettoyage du lave-linge, 22  
Entretien du couvercle et du tambour, 22  
Nettoyage de la pompe, 22  
Nettoyage du tiroir à produits lessiviels, 22  
Contrôle du tuyau d'arrivée de l'eau, 22

### Anomalies et remèdes, 23

### Assistance, 24

Avant d'appeler le service après-vente, 24

F

# Installation

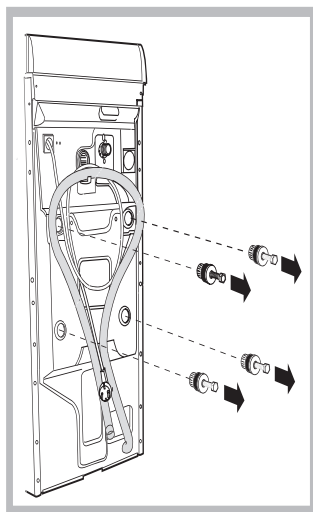
F

! Conservez ce mode d'emploi pour pouvoir le consulter à tout moment. En cas de vente, de cession ou de déménagement, veillez à ce qu'il suive toujours le lave-linge pour que son nouveau propriétaire soit informé sur son mode de fonctionnement et puisse profiter des conseils correspondants.

! Lisez attentivement les instructions: elles fournissent d'importantes informations sur l'installation, l'utilisation et la sécurité.

## Déballage et mise à niveau

### Déballage: enlever les 4 vis



1. Déballez le lave-linge.
2. Contrôlez que le lave-linge n'a pas été endommagé pendant le transport. S'il est abîmé, ne le raccordez pas et contactez votre revendeur.
3. Enlevez les quatre vis de protection pour le transport, le caoutchouc et la cale, placés dans la partie arrière (voir figure).

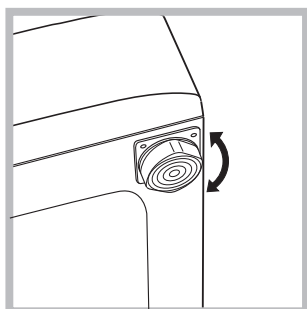
4. Bouchez les trous à l'aide des bouchons plastique fournis.
5. Conservez bien toutes ces pièces: il faudra les remonter en cas de transport du lave-linge.

! **Attention:** en cas de réutilisation, les vis plus courtes doivent être montées dessus.

! Les emballages ne sont pas des jouets pour enfants.

### Mise à niveau

Votre appareil peut s'avérer bruyant si vous n'avez pas bien réglé ses deux pieds avant.



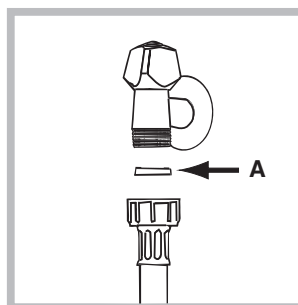
1. Installez le lave-linge sur un sol plat et rigide, sans l'appuyer contre des murs, des meubles ou autre.
2. Si le sol n'est pas parfaitement horizontal, vissez ou dévissez les petits pieds avant (voir figure) pour niveler l'appareil; son angle d'incli-

naison, mesuré sur le plan de travail, ne doit pas dépasser 2°.

Une bonne mise à niveau garantit la stabilité de la machine et évite qu'il y ait des vibrations, du bruit et des déplacements en cours de fonctionnement. Si la machine est posée sur de la moquette ou un tapis, réglez les petits pieds de manière à ce qu'il y ait suffisamment d'espace pour assurer une bonne ventilation.

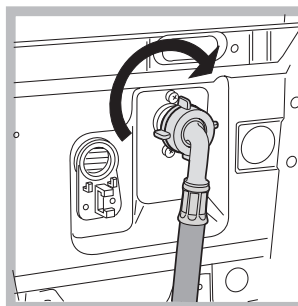
## Raccordements hydrauliques et électriques

### Raccordement du tuyau d'arrivée de l'eau



1. Montez le joint A sur l'extrémité du tuyau d'alimentation et vissez-le à un robinet d'eau froide à embout fileté 3/4 gaz (voir figure).

Faites couler l'eau jusqu'à ce qu'elle soit limpide et sans impuretés avant de raccorder.



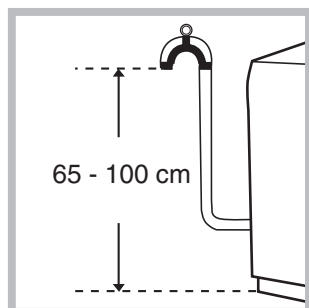
2. Raccordez le tuyau d'alimentation au lave-linge en le vissant à la prise d'eau prévue, dans la partie arrière en haut à droite (voir figure).

3. Faites attention à ce que le tuyau ne soit ni plié ni écrasé.

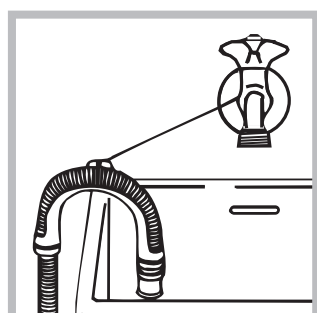
! La pression de l'eau doit être comprise entre les valeurs indiquées dans le tableau des Caractéristiques techniques (voir page ci-contre).

! Si la longueur du tuyau d'alimentation ne suffit pas, adressez-vous à un magasin spécialisé ou à un technicien agréé.

## Raccordement du tuyau de vidange



Raccordez le tuyau d'évacuation, sans le plier, à un conduit d'évacuation ou à une évacuation murale placés à une distance du sol comprise entre 65 et 100 cm;



ou bien accrochez-le à un évier ou à une baignoire, dans ce cas, fixez le support en plastique fourni avec l'appareil au robinet (voir figure). L'extrémité libre du tuyau d'évacuation ne doit pas être plongée dans l'eau.

! L'utilisation de tuyaux de rallonge est absolument déconseillée, si vous ne pouvez vraiment pas faire autrement vous devrez utiliser un tuyau de même diamètre et de longueur maximum de 150 cm.

## Branchement électrique

Avant de brancher la fiche dans la prise de courant, contrôlez que:

- la prise dispose de mise à la terre et est conforme aux normes;
- la prise est bien apte à supporter la puissance maximale de la machine indiquée dans le tableau des Caractéristiques techniques (voir ci-contre);
- la tension d'alimentation est bien comprise entre les valeurs figurant dans le tableau des Caractéristiques techniques (voir ci-contre);
- la prise est bien compatible avec la fiche du lave-linge. Autrement, remplacez la prise ou la fiche.

! Votre lave-linge ne doit pas être installé dehors, même à l'abri, car il est très dangereux de le laisser exposé à la pluie et aux orages.

! Après installation du lave-linge, la prise de courant doit être facilement accessible.

! N'utilisez ni rallonges ni prises multiples.

! Le câble ne doit être ni plié ni écrasé.

! Le câble d'alimentation ne doit être remplacé que par des techniciens agréés.

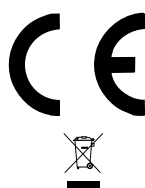
Attention! Nous déclinons toute responsabilité en cas de non respect des normes énumérées ci-dessus.

## Premier cycle de lavage

Avant la première utilisation de la machine, effectuez un cycle de lavage avec un produit lessiviel mais sans linge et sélectionnez le programme à 90°C sans pré-lavage.

### Caractéristiques techniques

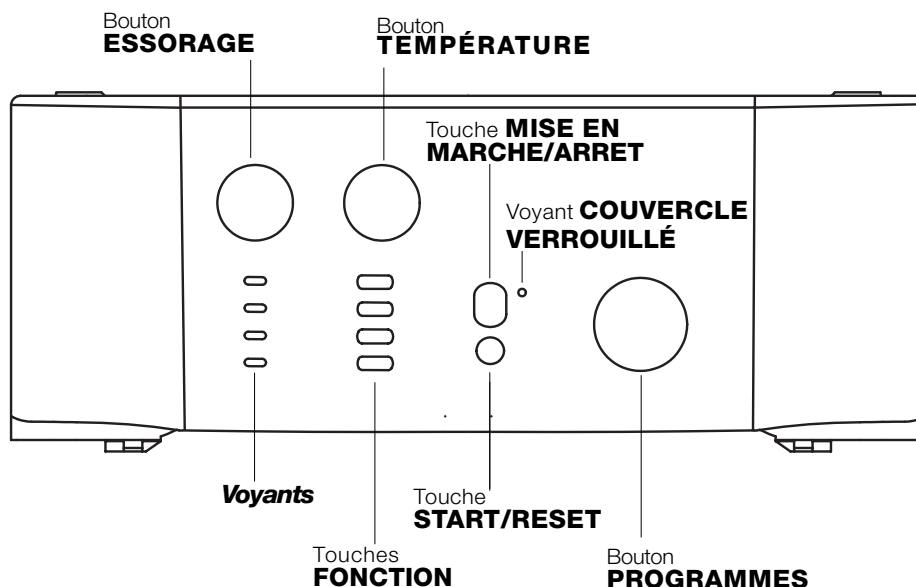
<b>Modèle</b>	AVTL 83
<b>Dimensions</b>	largeur 40 cm hauteur 85 cm profondeur 60 cm
<b>Capacité</b>	de 1 à 5 kg
<b>Raccordements électriques</b>	Voir la plaque signalétique appliquée sur la machine.
<b>Raccordements hydrauliques</b>	pression maximale 1 MPa (10 bar) pression minimale 0,05 MPa (0,5 bar) capacité du tambour 42 litres
<b>Vitesse d'essorage</b>	jusqu'à 800 tours minute
<b>Programmes de contrôle selon la norme EN 60456</b>	programme 3; température 60°C; effectué avec une charge de 5 kg.



Cet appareil est conforme aux Directives Communautaires suivantes:  
- 89/336/CEE du 03/05/89 (Compatibilité électromagnétique) et modifications suivantes  
- 2006/95/CE (Basse Tension)  
- 2002/96/CE

# Description du lave-linge

## Bandeau de commandes



**Tiroir à produits lessiviels** pour charger produits lessiviels et additifs (voir page 20).

**Voyants** pour suivre le stade d'avancement du programme de lavage.  
Si la fonction Delay Timer (départ différé) a été sélectionnée, ils indiquent le temps restant avant le démarrage du programme (voir page 17).

Bouton **ESSORAGE**: réglage de la vitesse d'essorage ou exclusion (voir page 19).

Bouton **TEMPÉRATURE**: modification de la température de lavage de 90° à 0° (voir page 19).

Touches **FONCTION** pour sélectionner les fonctions disponibles. La touche correspondant à la fonction sélectionnée restera allumée.

Touche **MISE EN MARCHÉ/ARRÉT**: mise en marche ou arrêt du lave-linge. (voir page 18).

Touche **START/RESET**: démarrage des programmes ou annulation (en cas d'erreur).

Voyant **MARCHE/COUVERCLE VERROUILLE** pour comprendre si le lave-linge est allumé (clignotant) et si le couvercle peut être ouvert (fixe) (voir page 17).

Bouton **PROGRAMMES** pour sélectionner les programmes (voir page 18).

Pendant le programme, le bouton ne bouge pas.

### **Voyant MARCHE/COUVERCLE VERROUILLE:**

Le symbole éclairé indique que le couvercle est verrouillé pour éviter toute ouverture accidentelle; attendez que le voyant clignote avant de l'ouvrir.

! Le clignotement rapide du voyant MARCHE/COUVERCLE VERROUILLE en même temps qu'un autre signale une anomalie (voir page 18).



## Comment ouvrir et fermer le tambour

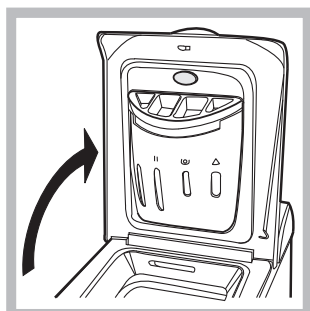


Fig. 1



Fig. 2



Fig. 3

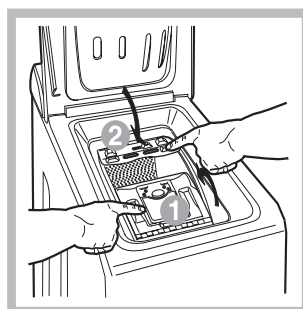


Fig. 4

**A) Ouvrez le couvercle. (Fig. 1).** Soulevez le Couvercle externe et ouvrez le complètement;

**B) Ouvrez ensuite les Portes du tambour à l'aide de vos deux mains comme indiqué sur la Fig. 2):**

- appuyez sur la touche indiquée par la flèche sur la Fig. 2) et tout en appuyant légèrement vers le bas posez une main pour éviter que les portes ne vous fassent mal aux doigts en s'ouvrant soudainement;
- accompagnez dans leur mouvements les portes qui se décrocheront et s'ouvriront facilement.

**C) INTRODUISEZ LE LINGE. (Fig. 3).**

**D) FERMEZ. (Fig. 4).**

- refermez bien le tambour en baissant d'abord la porte antérieure et posez ensuite la porte postérieure;
- faites attention à parfaitement positionner les crochets de la porte antérieure dans leur siège dans la porte postérieure;
- vous entendrez un " clac " qui confirmera la bonne fixation; appuyez alors légèrement vers le bas sur les deux portes qui ne doivent pas se décrocher;
- fermez enfin le couvercle externe.

## Voyants

Les voyants fournissent des informations importantes. Voilà ce qu'ils signalent:

### Phases en cours:

Pendant le cycle de lavage, les voyants s'allument progressivement pour indiquer son stade d'avancement:

- |  |            |
|--|------------|
|  | Pré-lavage |
|  | Lavage     |
|  | Rinçage    |
|  | Essorage   |

Remarque: pendant la phase de vidange, le voyant correspondant à la phase Essorage s'allume.

## Touches fonction

La sélection d'une fonction entraîne l'allumage du voyant correspondant.


Si la fonction sélectionnée est incompatible avec le programme sélectionné, la touche clignote et la fonction n'est pas activée.


En cas de sélection d'une fonction incompatible avec une autre précédemment sélectionnée, la seule à être activée sera la dernière validée.

# Mise en marche et Programmes




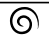

F

## En bref: démarrage d'un programme

1. Pour allumer le lave-linge appuyez sur la touche .  
Tous les voyants s'allument pendant quelques secondes puis s'éteignent et le voyant ALLUMAGE/ COUVERCLE VERROUILLE commence à clignoter.
2. Chargez le lave-linge, versez le produit lessiviel et les additifs (voir page 20) et fermez les portes et le couvercle.
3. Sélectionnez à l'aide du bouton PROGRAMMES le programme désiré.

4. Sélectionnez la température de lavage (voir page 19).
5. Sélectionnez la vitesse d'essorage (voir page 19).
6. Appuyez sur la touche START/RESET pour lancer le programme.  
Pour annuler, poussez sur la touche START/RESET pendant 2 secondes au moins.
7. A la fin du programme de lavage, le voyant ALLUMAGE/ COUVERCLE VERROUILLE clignote pour indiquer que le couvercle peut être ouvert. Sortez le linge et laissez le couvercle entrouvert pour faire sécher le tambour.  
Eteignez le lave-linge en appuyant sur la touche .

## Tableau des programmes

Nature des tissus et degré de salissure	Programmes	Temp. lavage	Lessive		Assouplissant	Option Anti-tâches/ Eau de Javel	Durée du cycle (minutes)	Description du cycle de lavage
			prélav.	lavage.				
<b>Coton</b>								
Blancs extrêmement sales (draps, nappes, etc.)	1	90° C	•	•	•		155	Prélavage, lavage, rinçages, essorages intermédiaires et finaux
Blancs extrêmement sales (draps, nappes, etc.)	2	90° C		•	•	Délicate/ Traditionnelle	147	Lavage, rinçages, essorages intermédiaires et finaux
Blancs et couleurs résistantes très sales	3	60° C		•	•	Délicate/ Traditionnelle	157	Lavage, rinçages, essorages intermédiaires et finaux
Blancs peu sales et couleurs délicates (chemises, pulls, etc.)	4	40° C		•	•	Délicate/ Traditionnelle	96	Lavage, rinçages, essorages intermédiaires et finaux
Couleurs délicates peu sales	5	30° C		•	•	Délicate/ Traditionnelle	88	Lavage, rinçages, essorages intermédiaires et finaux
<b>Synthétiques</b>								
Couleurs résistantes très sales (linge de bébé, etc.)	6	60° C		•	•	Délicate	97	Lavage, rinçages, anti-froissement ou essorage délicat
Couleurs résistantes très sales (linge de bébé, etc.)	7	50° C		•	•	Délicate	93	Lavage, rinçages, anti-froissement ou essorage délicat
Couleurs délicates (linge en tout genre légèrement sale)	8	40° C		•	•	Délicate	83	Lavage, rinçages, anti-froissement ou essorage délicat
Couleurs délicates (linge en tout genre légèrement sale)	9	30° C		•	•		33	Lavage, rinçages et essorage délicat
<b>Délicats</b>								
Laine	10	40° C		•	•	Délicate	48	Lavage, rinçages et essorage délicat
Tissus particulièrement délicats (rideaux, soie, viscose, etc.)	11	30° C		•	•		55	Lavage, rinçages, anti-froissement ou vidange
<b>PROGRAMMES PARTIAUX</b>								
Rinçage					•			Rinçages et essorage
Rinçage délicat					•			Rinçages, anti-froissement ou vidange
Essorage								Vidange et essorage énergique
Essorage délicat								Vidange et essorage délicat
Vidange								Vidange

### Remarque

Pour la fonction anti-froissement: voir Repassage facile, page ci-contre. Les données reportées dans le tableau sont à titre indicatif.

### Programme spécial

*Quotidien 30'* (programme 9 pour Synthétiques) spécialement conçu pour laver du linge peu sale en un rien de temps: il ne dure que 30 minutes et permet ainsi de faire des économies d'énergie et de temps. Choisissez le programme (9 à 30°C), vous pourrez laver ensemble des textiles différents (sauf laine et soie) en ne dépassant pas 3 kg de charge. *Nous vous conseillons d'utiliser des lessives liquides.*

## Sélection de la température

Tournez le bouton TEMPERATURE pour sélectionner la température de lavage (voir Tableau des programmes page 18). Vous pouvez réduire la température jusqu'au lavage à froid ( ).

## Sélection de l'essorage

Tournez le bouton ESSORAGE pour sélectionner la vitesse d'essorage du programme sélectionné. Les vitesses maximales prévues pour les programmes sont:

Programmes	Vitesse maximale
Coton	800 tours minute
Synthétiques	800 tours minute
Laine	600 tours minute
Soie	no

Vous pouvez réduire la vitesse d'essorage ou bien même supprimer ce dernier en sélectionnant le symbole .

La machine interdira automatiquement tout essorage à une vitesse supérieure à la vitesse maximale prévue pour chaque programme.

**!** Pour éviter des vibrations excessives, avant toute phase d'essorage, l'appareil imprime au tambour une série de rotations continues à une vitesse légèrement supérieure à la vitesse de lavage pour distribuer le linge de façon uniforme.

Si, malgré plusieurs tentatives, le linge n'est pas parfaitement réparti distribué, l'appareil effectue l'essorage à une vitesse inférieure à la vitesse prévue.

En cas de déséquilibre excessif, l'appareil procède à la répartition distribution du linge au lieu de l'essorage.

Les tentatives éventuelles d'équilibrage peuvent prolonger la durée totale du cycle de 10 minutes maximum.

## Fonctions

Les différentes fonctions de lavage prévues par le lave-linge permettent d'obtenir la propreté et le blanc souhaités. Pour activer les fonctions:

1. appuyez sur la touche correspondant à la fonction désirée, d'après le tableau ci-dessous;
2. l'allumage de la touche correspondante signale que la fonction est activée.

Remarque: Le clignotement rapide de la touche signale que la fonction correspondante n'est pas disponible pour le programme sélectionné.

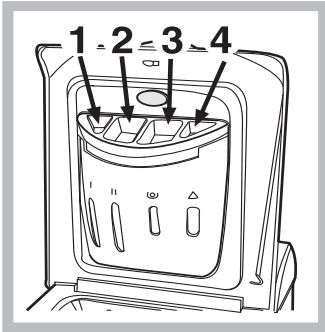
Fonctions	Effet	Mode d'emploi	Activée avec les programmes:
<b>Super Lavage</b> 	Pour obtenir un linge d'une propreté impeccable, visiblement plus blanc par rapport au standard de lavage de la Classe A.	Elle est incompatible avec l'option PEU SALE.	1, 2, 3, 4, 5, 6, 7, 8.
<b>Repassage facile</b> 	Pour moins froisser les tissus et simplifier leur repassage.	Si cette fonction est sélectionnée, les programmes 6, 7, 8, 11 s'arrêteront en laissant le linge tremper dans l'eau (Anti-froissement) et le voyant de la phase Rinçage  se mettra à clignoter: - pour compléter le cycle appuyez sur la touche START/RESET; - pour n'effectuer que la vidange amenez le bouton sur le symbole correspondant  et appuyez sur la touche START/RESET	Tous sauf 1, 2, 9, 10, Vidange.
<b>Peu sale</b> 	Pour réduire de 30% environ la durée du cycle de lavage.	Elle est incompatible avec l'option SUPER LAVAGE.	1, 2, 3, 4, 5, 6, 7, 8 Rinçages
<b>Rinçage plus</b> 	Pour augmenter l'efficacité du rinçage.	Utilisation conseillée en cas de pleine charge ou de doses élevées de produit lessiviel.	1, 2, 3, 4, 5, 6, 7, 8 Rinçages.

F

# Produits lessiviels et linge

F

## Tiroir à produits lessiviels



Un bon résultat de lavage dépend aussi d'un bon dosage de produit lessiviel: un excès de lessive ne lave pas mieux, il incruste l'intérieur de votre lave-linge et pollue l'environnement. Sortez le tiroir à produits lessiviels et versez la lessive ou l'additif comme suit.

### **bac 1: Lessive pré lavage (en poudre)**

### **bac 2: Lessive lavage (en poudre ou liquide)**

En cas d'utilisation de lessive liquide, il est conseillé d'introduire la boule doseuse directement dans la cuve.

### **bac 3: Additifs (adoucissant, etc.)**

L'assouplissant ne doit pas déborder de la grille (max). Le lave-linge prélève automatiquement l'assouplissant lors du dernier rinçage.

A la fin du programme de lavage il reste dans le bac 3 un résidu d'eau. Cette eau sert au prélèvement des assouplissants très denses ou à dissoudre les assouplissants concentrés.

Si dans le bac 3 il reste un peu plus d'eau que d'habitude, cela signifie que le dispositif de vidange est bouché et empêche l'effet aspirant du dispositif.


### **bac 4: Eau de javel**

! N'utilisez pas de lessives pour lavage à la main, elles génèrent trop de mousse.

## Cycle blanchissage

N'utilisez de l'eau de Javel traditionnelle que pour les tissus blancs résistants et des détachants délicats pour les couleurs, les synthétiques et la laine.

Lorsque vous versez l'eau de Javel, attention à ne pas dépasser le niveau "max" indiqué sur le bac 4 (voir figure).

Si vous ne voulez que blanchir, versez l'eau de Javel dans le bac supplémentaire 4 et enfin sélectionnez l'option Rinçage plus .

## Triage du linge

- Triez correctement votre linge d'après:
  - le type de textile / le symbole sur l'étiquette.
  - les couleurs: séparez le linge coloré du blanc.
- Videz les poches et contrôlez les boutons.
- Ne dépassez pas les valeurs indiquées correspondant au poids de linge sec:
  - Textiles résistants: 5 kg max.
  - Textiles synthétiques: 2,5 kg max.
  - Textiles délicats: 2 kg max.
  - Laine: 1 kg max.

### **Combien pèse le linge ?**

- 1 drap 400-500 g
- 1 taie d'oreiller 150-200 g
- 1 nappe 400-500 g
- 1 peignoir 900-1.200 g
- 1 serviette éponge 150-250 g

## Pièces de linge particulières

**Rideaux:** pliez-les bien et glissez-les dans une taie d'oreiller ou dans un sac genre filet. Lavez-les seuls sans dépasser la demi-charge. Sélectionnez le programme 11 qui supprime automatiquement l'essorage.

**Doudounes et anoraks:** s'ils sont en duvet d'oie ou de canard, ils peuvent être lavés à la machine. Lavez les vêtements sur l'envers. La charge ne doit pas excéder 2-3 kg. Prévoyez 2, voire 3 rinçages et un essorage léger.


**Chaussures de tennis:** débarrassez-les de la boue. Lavez-les en même temps que jeans et vêtements résistants, jamais avec du linge blanc.

**Laine:** pour obtenir d'excellents résultats utilisez un produit lessiviel spécial et ne dépassez pas une charge de 1 kg.

## Woolmark Platinum Care

### **Délicat comme le lavage à la main.**



Ariston a introduit un nouveau standard de performances supérieures, reconnu par The Woolmark Company qui lui a attribué le prestigieux label Woolmark Platinum Care. Si le logo Woolmark Platinum Care est appliqué sur votre lave-linge, vous pouvez laver avec d'excellents résultats vos vêtements en laine portant l'étiquette "laver à la main" (M.0303): Sélectionnez le programme 10 pour tous les vêtements portant l'étiquette "Laver à la main"  et utilisez un produit lessiviel spécial, (charge max 1 Kg).

! Ce lave-linge a été conçu et fabriqué conformément aux normes internationales de sécurité. Ces avertissements sont fournis pour des raisons de sécurité, lisez-les attentivement.

## Sécurité générale

- Cet appareil a été conçu pour une utilisation domestique, non professionnelle et ses fonctions ne doivent pas être altérées.
- Ce lave-linge ne doit être utilisé que par des adultes en suivant les instructions reportées dans ce mode d'emploi.
- N'utilisez pas l'appareil si vous êtes pieds nus. ne touchez jamais l'appareil si vous avez les pieds ou les mains humides.
- Ne tirez jamais sur le câble pour débrancher la fiche de la prise de courant.
- Ne touchez pas à l'eau de vidange, elle peut atteindre des températures très élevées.
- Ne forcez pas pour ouvrir le couvercle: le verrouillage de sécurité qui protège contre les ouvertures accidentelles pourrait s'endommager.
- En cas de panne, n'essayez en aucun cas d'accéder aux mécanismes internes pour tenter de la réparer.
- Veillez à ce que les enfants ne s'approchent pas de la machine pendant son fonctionnement.
- Deux ou trois personnes sont nécessaires pour la déplacer en faisant très attention. Ne jamais la déplacer seul car la machine est très lourde.
- Avant d'introduire votre linge, contrôlez si le tambour est bien vide.

## Enlèvement des appareils ménagers usagés

- Mise au rebut du matériel d'emballage: se conformer aux réglementations locales de manière à ce que les emballages puissent être recyclés.
- La Directive Européenne 2002/96/EC sur les Déchets des Equipements Electriques et Electroniques (DEEE), exige que les appareils ménagers usagés ne soient pas jetés dans le flux normal des déchets municipaux. Les

appareils usagés doivent être collectés séparément afin d'optimiser le taux de récupération et le recyclage des matériaux qui les composent et réduire l'impact sur la santé humaine et l'environnement. Le symbole de la "poubelle barrée" est apposée sur tous les produits pour rappeler les obligations de collecte séparée.

Les consommateurs devront contacter les autorités locales ou leur revendeur concernant la démarche à suivre pour l'enlèvement de leur vieil appareil.

## Economies et respect de l'environnement

### Economie de produit lessiviel, d'eau, d'électricité et de temps

- Pour ne pas gaspiller de ressources, utilisez le lave-linge à sa charge maximale. Mieux vaut une pleine charge que deux demies, vous économiserez jusqu'à 50% d'électricité.
- Un prélavage n'est nécessaire qu'en cas de linge très sale. S'en passer permet de faire des économies de produit lessiviel, de temps, d'eau et entre 5 et 15% d'électricité.
- Si vous traitez les taches avec un produit détachant ou si vous les laissez tremper avant de les laver, vous éviterez d'avoir à laver à de hautes températures. Un programme à 60°C au lieu de 90°C ou un à 40°C au lieu de 60°C, fait économiser jusqu'à 50% d'électricité.
- Bien doser la quantité de produit lessiviel en fonction de la dureté de l'eau, du degré de salissure et de la quantité de linge à laver évite les gaspillages et protège l'environnement: bien que biodégradables, les produits lessiviels contiennent des éléments qui altèrent l'équilibre de la nature. Evitez le plus possible l'utilisation d'assouplissant.
- Si le linge doit être séché dans un sèche-linge, sélectionnez une haute vitesse d'essorage. Du linge qui contient moins d'eau fait économiser du temps et de l'électricité dans le programme de séchage.

# Entretien et soin

F

## Coupage de l'arrivée d'eau et de courant

- Fermez le robinet de l'eau après chaque lavage: vous limiterez ainsi l'usure de l'installation hydraulique de votre lave-linge et éliminerez le danger de fuites.
- Débranchez la fiche de la prise de courant quand vous nettoyez votre lave-linge et pendant tous vos travaux d'entretien.

## Nettoyage du lave-linge

Pour nettoyer l'extérieur et les parties en caoutchouc, utilisez un chiffon imbibé d'eau tiède et de savon. N'utilisez ni solvants ni abrasifs.

## Nettoyage du tiroir à produits lessiviels

Pour sortir le tiroir, soulevez-le et tirez-le vers vous (voir fig.). Lavez-le à l'eau courante, effectuez cette opération assez souvent.

## Entretien du couvercle et du tambour

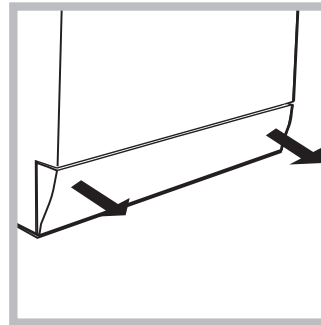
- Quand vous n'utilisez pas votre lave-linge, laissez toujours le hublot entrouvert pour éviter la formation de mauvaises odeurs.

## Nettoyage de la pompe

Le lave-linge est équipé d'une pompe autonettoyante qui n'exige aucune opération d'entretien. Il peut toutefois arriver que de menus objets (pièces de monnaie, boutons) tombent dans la préchambre qui protège la pompe, placée en bas de cette dernière.

! Contrôlez que le cycle de lavage est bien terminé et débranchez la fiche.

Pour récupérer les objets qui pourraient être tombés dans la préchambre :



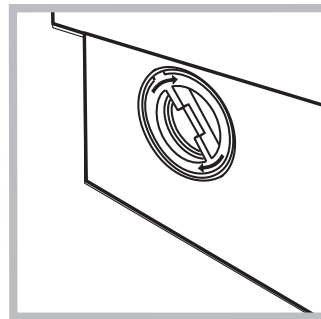
1. déposez la base à l'avant de votre lave-linge en la saisissant sur les côtés et en la tirant des deux mains (voir figure);

2. dévissez le couvercle en le faisant tourner dans le sens inverse des aiguilles d'une montre (voir figure); il est normal qu'un peu d'eau s'écoule;

3. nettoyez soigneusement à l'intérieur;

4. revissez le couvercle;

5. remontez le panneau en veillant à bien enfiler les crochets dans les fentes prévues avant de le pousser contre la machine.



## Contrôle du tuyau d'arrivée de l'eau

Contrôlez le tuyau d'alimentation au moins une fois par an. Remplacez-le dès que vous remarquez des craquements et des fissures: les fortes pressions subies pendant le lavage pourraient provoquer des cassures.

! N'utilisez jamais de tuyaux usés.

## Comment nettoyer le tiroir à produits lessiviels

### Démontage:

Appuyez légèrement sur la grosse touche située sur la partie antérieure du tiroir à produits lessiviels et tirez vers le haut (fig. 1).

### Nettoyage:

Nettoyez le tiroir sous le robinet (fig. 3) à l'aide par exemple d'une vieille brosse à dents; tirez sur les deux petits siphons placés dans la partie supérieure des bacs 1 et 2 (fig. 4), contrôlez qu'ils ne soient pas bouchés et rincez-les.

### Remontage:

N'oubliez pas de replacer les deux petits siphons dans leurs emplacements spéci-aux et remettez enfin le tiroir dans son siège en le fixant (fig. 4, 2, 1).



Fig. 1

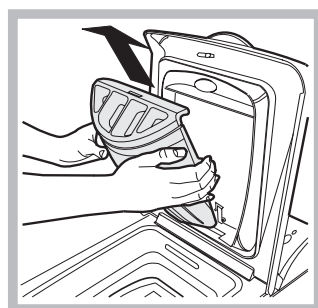


Fig. 2

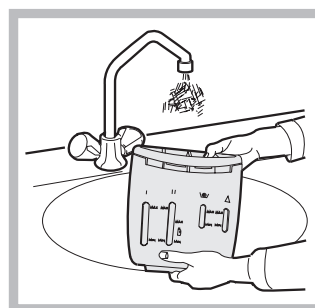


Fig. 3

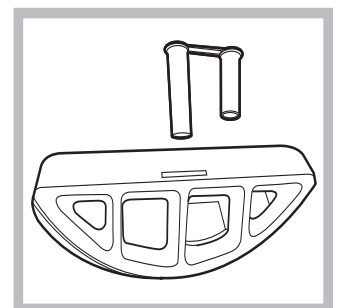


Fig. 4



Il peut arriver que le lave-linge ne fonctionne pas bien. Avant de appelez le Service après-vente (*voir page 24*), contrôlez s'il ne s'agit pas d'un problème facile à résoudre grâce à la liste suivante.

F


## Anomalies:

## Causes / Solutions possibles:

### Le lave-linge ne s'allume pas.

- La fiche n'est pas branchée dans la prise de courant ou mal branchée.
- Il y a une panne de courant.

### Le cycle de lavage ne démarre pas.

- Le couvercle n'est pas bien fermé (le voyant Couvercle Verrouillé clignote).
- La touche  n'a pas été actionnée.
- La touche START/RESET n'a pas été actionnée.
- Le robinet de l'eau n'est pas ouvert.

### Il n'y a pas d'arrivée d'eau .

- Le tuyau d'arrivée de l'eau n'est pas raccordé au robinet.
- Le tuyau est plié.
- Le robinet de l'eau n'est pas ouvert.
- Il y a une coupure d'eau.
- La pression n'est pas suffisante.
- La touche START/RESET n'a pas été actionnée.

### Le lave-linge prend l'eau et vidange continuellement.

- le tuyau de vidange n'est pas installé à une distance du sol comprise entre 65 et 100 cm (*voir page 15*).
- L'extrémité du tuyau de vidange est plongée dans l'eau (*voir page 15*).
- L'évacuation murale n'a pas d'évent.

Si après ces vérifications, le problème persiste, fermez le robinet de l'eau, éteignez la machine et appelez le service Assistance. Si vous habitez en étage dans un immeuble, il peut y avoir des phénomènes de siphonnement qui font que votre lave-linge prend et évacue l'eau continuellement. Pour supprimer cet inconvénient, vous pouvez trouver dans le commerce des valves spéciales anti-siphonnement.

### Votre lave-linge ne vidange pas et n'essore pas.

- Le programme ne prévoit pas de vidange: pour certains programmes, il faut intervenir pour la faire démarrer (*voir page 18*).
- L'option Repassage facile est activée: pour compléter le programme, appuyez sur la touche START/RESET (*voir page 19*).
- Le tuyau de vidange est plié (*voir page 15*).
- La conduite de l'installation de vidage est bouchée.

### Votre lave-linge vibre beaucoup pendant l'essorage.

- Les vis de fixation du groupe oscillant n'ont pas été enlevées lors de l'installation de l'appareil. Enlevez les vis (*voir page 14*).
- Le lave-linge n'est pas posé à plat (*voir page 14*).
- Le lave-linge est coincé entre des meubles et le mur (*voir page 14*).

### Le lave-linge a des fuites.

- Le tuyau d'arrivée de l'eau n'est pas bien vissé (*voir figure page 14*).
- Le tiroir à produits lessiviels est bouché (pour le nettoyer *voir pag. 22*).
- Le tuyau de vidange n'est pas bien fixé (*voir page 15*).

### Le voyant ALLUMAGE COUVERCLE VERROUILLE clignote rapidement en même temps qu'un autre voyant.

- Eteindre l'appareil et débrancher la fiche de la prise de courant, attendre 1 minute environ avant de rallumer.  
Si l'anomalie persiste, appeler le service d'assistance.

### Il y a un excès de mousse.

- Le produit de lavage utilisé n'est pas une lessive spéciale machine (il faut qu'il y ait l'inscription "pour lave-linge", "main et machine", ou autre semblable).
- La quantité utilisée est excessive.

# Assistance

F

## **Avant d'appeler le service après-vente:**

- Vérifiez si vous ne pouvez pas résoudre vous-même le problème (*voir page 23*);
- Remettez le programme en marche pour contrôler si le dysfonctionnement a disparu;
- Autrement, appelez le Service après-vente de votre revendeur;

**!** En cas d'installation erronée ou d'utilisation incorrecte, vous pouvez être appelé à payer l'intervention.

**!** Ne vous adressez jamais à des techniciens non agréés.

## **Communiquez:**

- le type de panne;
- le modèle de la machine (Référence);
- le numéro de série (S/N);

Vous trouverez tous ces renseignements sur la plaquette signalétique située sur le panneau arrière de votre lave-linge.



**CIS**

РУССКИЙ

AVTL 83

### Содержание

#### Установка, 26-27

Распаковка и выравнивание, 26  
Подключение к водопроводной и электрической сети, 26-27  
Пробный цикл стирки, 27  
Технические характеристики, 27

#### Описание стиральной машины, 28-29

Панель управления, 28  
Как открыть и закрыть барабан, 29  
Индикаторы, 29

#### Запуск машины. Программы, 30

Краткие инструкции: Порядок запуска программы, 30  
Таблица программ, 30

#### Персонализация стирки, 31

Выбор температуры, 31  
Выбор скорости отжима, 31  
Функции, 31

#### Моющие средства и белье, 32

Распределитель моющих средств, 32  
Цикл отбеливания, 32  
Подготовка белья, 32  
Особенности стирки отдельных изделий, 32  
Woolmark Platinum Care, 32

#### Предупреждения и рекомендации, 33

Общие правила безопасности, 33  
Утилизация, 33  
Экономия и охрана окружающей среды, 33

#### Обслуживание и уход, 34

Отключение воды и электричества, 34  
Уход за стиральной машиной, 34  
Уход за дверцей машины и барабаном, 34  
Как чистить распределитель моющих средств, 34  
Чистка насоса, 34  
Проверка заливного шланга, 34

#### Устранение неисправностей, 35

#### Сервисное обслуживание, 36



**Hotpoint**  
**ARISTON**

# Установка

CIS

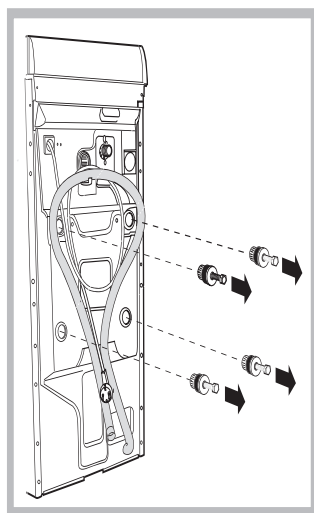
**!** Сохраните данное руководство. Оно должно быть в комплекте со стиральной машиной в случае продажи, передачи оборудования или при переезде на новую квартиру, чтобы новый владелец оборудования мог ознакомиться с правилами его функционирования и обслуживания.

**!** Внимательно прочитайте руководство: в нем содержатся важные сведения по установке и безопасной эксплуатации стиральной машины.

## Распаковка и выравнивание

### Распаковка

1. Распакуйте стиральную машину.
2. Убедитесь, что оборудование не было повреждено во время транспортировки. При обнаружении повреждений – не подключайте машину – свяжитесь с поставщиком немедленно.



3. Удалите четыре транспортировочных винта и резиновые пробки с прокладками, расположенные в задней части стиральной машины (см. рис.).

4. Закройте отверстия прилегающими пластиковыми заглушками.

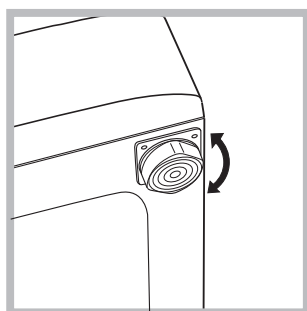
5. Сохраняйте все детали: они Вам понадобятся при

последующей транспортировке стиральной машины.

**болты, резиновые шайбы и большую металлическую поперечную планку. Закройте образовавшиеся отверстия пластмассовыми заглушками.**

**!** Не разрешайте детям играть с упаковочными материалами.

### Выравнивание



1. Установите стиральную машину на ровном и прочном полу, так чтобы она не касалась стен, мебели и прочих предметов.

2. После установки машины на место отрегулируйте ее устойчивое положение путем вращения передних ножек

(см. рис.). Для этого сначала ослабьте контргайку, после завершения регулировки контргайку затяните.

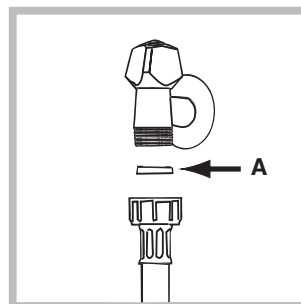
После установки машины на место проверьте по уровню горизонтальность верхней крышки корпуса, отклонение горизонтали должно быть не более 2°.

Правильное выравнивание оборудования поможет избежать шума, вибраций и смещений во время работы машины.

Если стиральная машина стоит на полу, покрытом ковром, убедитесь, что ее основание возвышается над ковром. В противном случае вентиляция будет затруднена или вовсе невозможна.

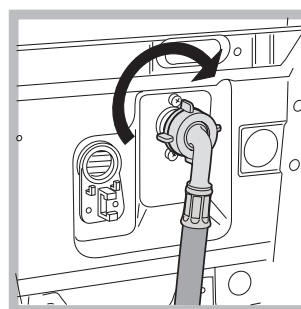
## Подключение к водопроводной и электрической сети

### Подсоединение заливного шланга



1. Вставьте прокладку А в конец заливного шланга и наверните его на вывод водопровода холодной воды с резьбовым отверстием 3/4 дюйма (см. рис.).

Перед подсоединением откройте водопроводный кран и дайте стечь грязной воде.



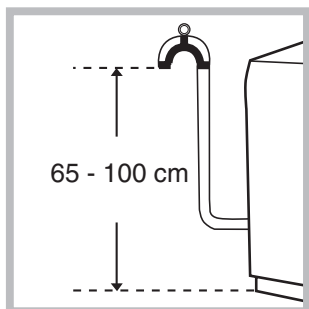
2. Подсоедините заливной шланг к стиральной машине, навинтив его на водоприемник, расположенный в задней верхней части справа (см. рис.).

3. Убедитесь, что шланг не перекручен и не пережат.

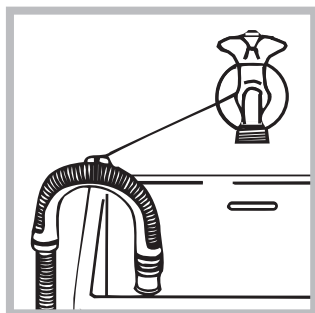
**!** Давление воды должно быть в пределах значений, указанных в таблице Технических характеристик (см. с. 3).

**!** Если длина водопроводного шланга окажется недостаточной, обратитесь в Авторизованный Сервисный центр.

### Подсоединение сливного шланга



Повесьте загнутый конец сливного шланга на край раковины, ванны, или поместите в специальный вывод канализации. Шланг не должен перегибаться. Верхняя точка сливного шланга должна находиться на высоте 65-100 см от пола. Расположение сливного шланга должно обеспечивать разрыв струи при сливе (конец шланга не должен быть опущен в воду). В случае крепления на край ванной или раковины, шланг вешается с помощью направляющей (входит в комплект поставки), которая крепится к крану (рис.).



! Не рекомендуется применение удлинителей для сливного шланга, при необходимости допускается его наращивание шлангом такого же диаметра и длиной не более 150 см.

### Подсоединение к электросети

Внимание! Оборудование обязательно должно быть заземлено!

1. Машина подключается к электрической сети при помощи двухполюсной розетки с заземляющим контактом (розетка не поставляется с машиной). Фазный провод должен быть подключен через автомат защиты сети, рассчитанный на максимальный ток (ток срабатывания) 16 А, и имеющий время срабатывания не более 0,1 с.
2. При наличии вблизи от предполагаемого места установки машины розетки с заземляющим контактом, имеющей трехпроводную подводку кабеля с медными жилами сечением не менее 1,5 кв. мм (или алюминиевыми жилами сечением не менее 2,5 кв. мм), доработка электросети не производится. При отсутствии указанной розетки и проводки следует провести их монтаж.
3. Прокладка заземления отдельным проводом не допускается.
4. Для доработки электрической сети рекомендуется применять провод типа ППВ 3x1,5 380 ГОСТ 6223-79. Допускается применение других марок кабеля, обеспечивающих пожаро- и электробезопасность при эксплуатации машины.

Перед включением машины в сеть убедитесь, что:

- розетка и проводка соответствуют требованиям, изложенным в данном разделе инструкции;
- напряжение и частота тока сети соответствуют данным машины;
- розетка и вилка одного типа;

- розетка заземлена в соответствии с нормами безопасности, описанными в данном разделе инструкции (допускается организация заземления рабочим нулем, при условии, что защитная линия не имеет разрыва и подключена напрямую в обвод каких-либо приборов (например, электрического счетчика).

Если вилка не подходит к розетке, ее следует заменить на новую, соответствующую розетке, или заменить питающий кабель. Замена кабеля должна производиться только квалифицированным персоналом.

Запрещается использование переходников, двойных и более розеток и удлинителей (они создают опасность возгорания). Если Вы считаете их использование необходимым, применяйте один единственный удлинитель, удовлетворяющий требованиям безопасности.

*Оборудование, подключенное с нарушением требований безопасности бытовых приборов большой мощности, изложенных в данной инструкции, является потенциально опасным.*

*Производитель не несет ответственности за ущерб здоровью и собственности, если он вызван несоблюдением указанных норм установки.*

### Первый цикл стирки

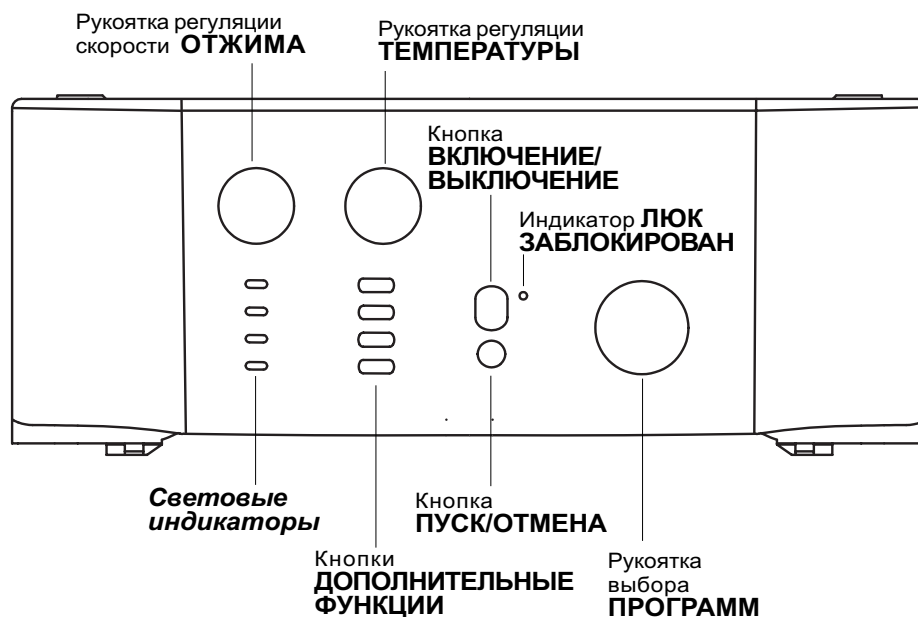
По завершении установки, перед началом эксплуатации необходимо произвести один цикл стирки со стиральным порошком, но без белья, по программе 90°C без предварительной стирки.

Технические характеристики	
<b>Модель</b>	AVTL 83
<b>Размеры</b>	ширина 40 см высота 85 см глубина 60 см
<b>Загрузка</b>	1 - 5 кг
<b>Электрические параметры</b>	Смотрите паспортную табличку с техническими характеристиками на машине
<b>Гидравлические параметры</b>	max давление 1 Мпа (10 бар) min давление 0,05 Мпа (0,5 бар) объем барабана 42 л
<b>Скорость отжима</b>	до 800 об/мин
<b>Контрольные программы согласно нормативу EN 60456</b>	программа 3; температура 60°C; при загрузке до 5 кг.
<b>CE</b>	Машина соответствует следующим Директивам Европейского Экономического сообщества: - 89/336 /ЕЕС от 03.05.89 (электромагнитной совместимости) и последующие модификации - 2006/95/CE (низкого напряжения)

# Описание стиральной машины

CIS

## Панель управления



**Ячейка для стирального порошка**, наполняемая стиральным порошком и добавками (смотреть стр. 32).

**Световые индикаторы** служат для контроля за выполнением программы стирки.

Если была включена функция Таймер задержки, индикаторы показывают время, остающееся до запуска программы (смотреть стр. 29).

Рукоятка **ОТЖИМ** служит для регуляции скорости отжима или для его исключения (смотреть стр. 31).

Кнопки **ДОПОЛНИТЕЛЬНЫЕ ФУНКЦИИ** служат для подключения имеющихся дополнительных функций. Кнопка выбранной функции останется включенной.

Рукоятка **ТЕМПЕРАТУРА** служит для регуляции температуры или для стирки в холодной воде (смотреть стр. 31).

Кнопка **ВКЛЮЧЕНИЕ/ВЫКЛЮЧЕНИЕ** служит для включения и выключения стиральной машины.

Кнопка **ПУСК/ОТМЕНА** служит для запуска программ или для отмены ошибочного программирования.

Индикатор **ВКЛЮЧЕНИЕ/ЛЮК ЗАБЛОКИРОВАН** мигает, когда стиральная машина включена, и горит, не мигая, если люк не заблокирован (смотреть стр. 29).

Рукоятка выбора **ПРОГРАММ** служит для выбора программ (смотреть стр. 30).

В процессе выполнения программы рукоятка остается неподвижной.

### ☞○ Индикатор **ВКЛЮЧЕНИЕ/ЛЮК ЗАБЛОКИРОВАН**:

Горящий индикатор означает, что люк заблокирован во избежание его случайного открывания. во избежание повреждений перед тем как открыть люк, необходимо дождаться, когда замигает индикатор.

**!** Частое мигание индикатора **ВКЛЮЧЕНИЕ/ЛЮК ЗАБЛОКИРОВАН** одновременно с любым другим индикатором означает неисправность (смотреть стр. 35).

## Как открыть и закрыть барабан

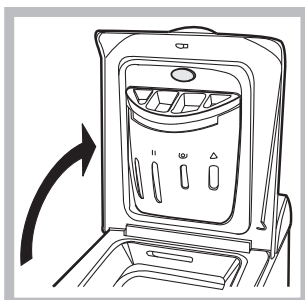


Fig. 1



Fig. 2



Fig. 3

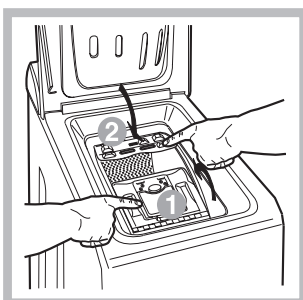


Fig. 4

### А) ОТКРЫВАНИЕ (рис. 1).

Поднимите внешнюю крышку и полностью ее откройте.

### Б) Затем, используя обе руки, откройте барабан, как показано на рис. 2:

- Нажмите кнопку, обозначенную стрелкой на рис. 2, слегка вниз,
- другой рукой придерживая дверцы (так вы избежите внезапного открывания дверок и защемления пальцев);
- дверцы расцепятся и легко откроются.

### В) ЗАГРУЗКА СТИРАЛЬНОЙ МАШИНЫ (рис. 3).

### Г) ЗАКРЫВАНИЕ (рис. 4).

- закройте полностью барабан, опуская сначала переднюю дверцу, а затем заднюю;
- затем удостоверьтесь, что крюки передней дверцы точно вошли в предназначенные места на задней дверце;
- после того, как крюки защелкнулись, нажмите обе дверцы слегка вниз, чтобы убедиться они закрыты плотно;
- и, наконец, закройте внешнюю крышку.









## Индикаторы

Индикаторы сообщают пользователю важные сведения.

Значение индикаторов:

### Текущая фаза цикла:

В процессе цикла стирки индикаторы будут загораться один за другим, показывая фазу выполнения программы:

- |   |   |                        |
|---|---|------------------------|
|  |  | Предварительная стирка |
|  |  | Стирка                 |
|  |  | Полоскание             |
|  |  | Отжим                  |

Примечание: в процессе слива загорится индикатор, соответствующий циклу Отжима.

### Кнопки выбора функции

КНОПКИ ВЫБОРА ФУНКЦИИ также являются индикаторами.

При выборе функции загорается соответствующая кнопка.


Если выбранная функция является несовместимой с заданной программой, кнопка будет мигать, и такая функция не будет активирована.


Если будет выбрана функция, несовместимая с другой, ранее выбранной функцией, останется включенной только последняя выбранная функция.

# Запуск машины. Программы






CIS

## Краткие инструкции: Порядок запуска программы

1. Включите стиральную машину, нажав на кнопку . Все индикаторы загорятся на несколько секунд, затем погаснут, и индикатор ВКЛЮЧЕНИЕ/ЛЮК ЗАБЛОКИРОВАН начнет мигать.
2. Загрузите белье в барабан, засыпьте стиральное вещество и добавки (смотрите стр. 32), закройте крышки барабана и внешний люк.
3. Выбрать при помощи рукоятки выбора ПРОГРАММ

- нужную программу.
4. Выбрать температуру стирки (см. стр. 31).
5. Выбрать скорость отжима (см. стр. 31).
6. Запустите программу, нажав кнопку ПУСК/СБРОС (Start/Reset).  
Для отмены запуска держите нажатой кнопку ПУСК/СБРОС (Start/Reset) в течение 2-х секунд.
7. По завершении программы индикатор ВКЛЮЧЕНИЕ/ЛЮК ЗАБЛОКИРОВАН замигает, сигнализируя, что можно открыть люк. Вынуть белье и оставить люк полуоткрытым для сушки барабана. Выключить стиральную машину, нажав кнопку .

## Таблица программ

Ткань и степень загрязнения	Про-грамма	Темпе-ратура	Моющее средство		Смягч-итель	тбеливание (Функция)/Отбеливат-ель	Длите-льность цикла, мин	Описание цикла стирки
			предв. стирка	основная стирка				
<b>Хлопок</b>								
Сильным загрязнением	1	90°C	•	•	•		155	Предварительная стирка, стирка при высокой температуре, полоскание, промежуточный и окончательный отжим
Очень сильно загрязненное белое белье (простыни, скатерти и т.д.)								
Очень сильно загрязненное белое белье (простыни, скатерти и т.д.)								
Сильно загрязненное белое и прочно окрашенное цветное белье								
Слабо загрязненное белое и линяющее цветное белье (рубашки, маки и пр.)								
Слабо загрязненное линяющее цветное белье	5	30°C		•	•	Деликат./Обычный	88	Стирка при 30°C, полоскание, промежуточный и окончательный отжим
<b>Синтетика</b>								
Сильно загрязненная, прочно окрашенная цветная (детская одежда и пр.)	6	60°C		•	•	Деликатн.	97	Стирка при 60°C, полоскание, остановка с водой или деликатный отжим
Сильно загрязненная, прочно окрашенная цветная (детская одежда и пр.)	7	50°C		•	•	Деликатн.	93	Стирка при 50°C, полоскание, остановка с водой или деликатный отжим
Слабо загрязненная, деликатная цветная (любая одежда)	8	40°C		•	•	Деликатн.	83	Стирка при 40°C, полоскание, остановка с водой или деликатный отжим
Слабо загрязненная, деликатная цветная (любая одежда)	9	30°C		•	•		33	Стирка при 30°C, полоскание и деликатный отжим
<b>Деликатные ткани</b>								
Шерсть	10	40°C		•	•	Деликатн.	48	Стирка при 40°C, полоскание и деликатный отжим
Особо деликатные ткани и одежда (занавеси, шелк, вискоза и пр.)	11	30°C		•	•		55	Стирка при 30°C, полоскание, остановка с водой или слив
<b>ЧАСТИЧНЫЕ ПРОГРАММЫ</b>								
Полоскание					•			Полоскание и отжим
Деликатное полоскание					•			Полоскание, остановка с водой или слив
Отжим								Слив и сильный отжим
Деликатный отжим								Слив и деликатный отжим
Слив								Слив

### Примечание

«Остановка с водой»: см. дополнительную функцию «Легкая глажка» на с. 31. Данные в таблице, являются справочными и могут меняться в зависимости от конкретных условий стирки (объем стирки, температура воды в водопроводной системе, температура в помещении и др.).

### Специальная программа

Повседневная стирка 30' мин (программа 9 для Синтетических тканей) предназначена для быстрой стирки слабозагрязненного белья: цикл длится всего 30 минут, что позволяет экономить время и электроэнергию. Установив эту программу (9 при температуре 30°C), Вы можете стирать различные виды тканей вместе (за исключением шерсти и шелка) при максимальной загрузке белья 3 кг. Мы рекомендуем использовать жидкое моющее средство.



## Выбор температуры

Выбор температуры стирки производится при помощи рукоятки ТЕМПЕРАТУРА (см. Таблицу программ на стр. 30).

Значение температуры может быть уменьшено вплоть до стирки в холодной воде .

## Выбор скорости отжима

Выбор скорости отжима выбранной программы производится при помощи рукоятки ОТЖИМ.

Для разных программ предусматривается разная максимальная скорость отжима:

Программы	Максимальная скорость отжима
Хлопок	800 оборотов в минуту
Синтетика	800 оборотов в минуту
Шерсть	600 оборотов в минуту
Шелк	без отжима

Скорость отжима может быть уменьшена или же можно совсем исключить отжим, повернув рукоятку в положение .

Машина автоматически не допускает установку скорости отжима, превышающую максимальную скорость, предусмотренную для каждой программы.

**!** Во избежание чрезмерных вибраций перед каждым отжимом машина равномерно распределяет белье в барабане. Это происходит за счет непрерывного вращения барабана со скоростью, слегка превышающей скорость стирки.

Если после нескольких попыток белье не распределяется равномерно, машина производит отжим с более низкой скоростью.

При невозможности балансировки машина заменяет отжим операцией балансировки.

Возможные попытки балансировки могут продлить общую продолжительность цикла макс. на 10 минут.

## Функции

Различные функции стирки машины позволяют достичь желаемой чистоты и белизны вашего белья. Порядок выбора функций:

1. нажать кнопку нужной функции в соответствии с приведенной ниже таблицей;
2. включение соответствующей кнопки означает, что функция активирована.

Примечание: Частое мигание кнопки означает, что данная функция не может быть активирована для заданной программы.

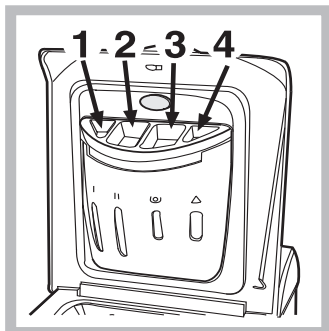
Функции	Назначение	Использование	Доступна с программами:
 Супер стирка	Позволяет получить безупречно чистое белье, заметно более белое по сравнению со стандартом <i>Класса А</i> .	Опция не используется с функцией «БЫСТРАЯ СТИРКА».	1, 2, 3, 4 5, 6, 7, 8
 Легкая глажка	Уменьшение степен сминаемости тканей, облегчение последующего глажения.	При выборе этой функции программы 6, 7, 8, 11 прерываются без слива воды (остановка с водой) и сигнальная лампочка фазы Ополаскивания  мигает: – Чтобы завершить цикл, нажмите кнопку ПУСК/СБРОС (Start/Resert). – Чтобы закончить программу сливом установите рукоятку программатора на соответствующий символ  и нажмите кнопку ПУСК/СБРОС (Start/Resert).	Все программы кроме 1, 2, 9, 10 Слив.
 Быстрая стирка	Сокращает продолжительность цикла стирки примерно на 30%.	Опция не используется с функцией «СУПЕР СТИРКА».	1, 2, 3, 4 5, 6, 7, 8 Полоскание.
 Дополнительное полоскание	Повышает эффективность полоскания.	Применение этой функции рекомендуется при полной загрузке машины или при использовании большого количества моющего средства.	1, 2, 3, 4, 5, 6, 7, 8, Полоскание.

# Моющие средства и белье

CIS

## Распределитель моющих средств

Хороший результат стирки зависит также от правильной дозировки моющего средства: его избыток не гарантирует более эффективную стирку, напротив может привести к образованию налетов внутри машины и загрязнению окружающей среды.



Выдвиньте распределитель и заполните его отделения моющим средством и смягчителем:

**Отделение 1: моющее средство для предварительной стирки (порошок)**

**ячейка 2: Стиральное вещество (порошок или жидкость)**

Жидкое стиральное вещество следует помещать непосредственно в барабан в специальном круглом пластмассовом дозаторе.

**ячейка 3: Добавки (ополаскиватель и т.д.)**


Когда вы наливаете ополаскиватель в ячейку 3, обращайте внимание, чтобы не превысить максимальный уровень, указанный отметкой «max».

Ополаскиватель автоматически подается в барабан в процессе последнего ополаскивания. По завершении программы стирки в ячейке 3 остается вода. Она необходима для подачи в барабан очень густых ополаскивателей, т.е. для разбавления концентрированных ополаскивателей. Если в ячейке 3 останется воды больше нормального, это значит, что канал слива ополаскивателя в барабан засорился. Смотрите описание чистки ячеек на стр.34.

**ячейка 4: Цикл отбеливания**

**Обычный** отбеливатель используется для прочных белых тканей, **деликатный** - для цветных, синтетических тканей и для шерсти.

Не заливайте отбеливатель в ячейку-дозатор 4 выше отметки «макс.» (смотрите рисунок).

Для осуществления только отбеливания налейте отбеливатель в ячейку 4 и выберите Функции Дополнительное полоскание .

**!** Не используйте моющие средства, предназначенные для ручной стирки – образующаяся обильная пена ухудшает результат стирки и может вывести из строя стиральную машину.

## Подготовка белья

- Разберите белье:
  - в соответствии с типом ткани / обозначения на этикетке
  - по цвету: отделите цветное белье от белого.
- Выньте из карманов все предметы и проверьте хорошо ли держатся пуговицы.
- Не превышайте максимальные нормы загрузки барабана, указанные для сухого белья:
  - Прочные ткани: макс. 5 кг
  - Синтетические ткани: макс. 2,5 кг
  - Деликатные ткани: макс. 2 кг
  - Шерсть: макс. 1 кг

## Вес белья

- 1 простыня 400 – 500 г
- 1 наволочка 150 -200 г
- 1 скатерть 400 – 500 г
- 1 халат 900 –1,200 г
- 1 полотенце 150 -250 г

## Особенности стирки отдельных изделий

**Занавески:** сверните и положите в наволочку или в сетчатый мешочек. Стирайте отдельно, не превышая половины загрузки барабана. Выберите программу 11, автоматически исключающую отжим.

**Стеганные куртки и пуховики:** если пуховик на утином или гусином пуху, его можно стирать в стиральной машине. Выверните куртку наизнанку, загрузите в барабан не более 2-3 кг изделий. Повторите полоскание 1-2 раза, используйте деликатный отжим.


**Парусиновые туфли:** Парусиновые туфли предварительно очистите от грязи и стирайте с прочными тканями или джинсами, если позволяет цвет. Не стирайте с белыми вещами.

**Шерсть:** Для достижения наилучших результатов стирки загружайте не более 1 кг белья и используйте специальные жидкие средства, предназначенные для стирки шерстяных изделий.

## Woolmark Platinum Care (деликатность ручной стирки)



Hotpoint Ariston установил новый стандарт высокоэффективной стирки, признанный Компанией Woolmark с престижной маркой Woolmark Platinum Care. Если на вашей стиральной машине имеется логотип Woolmark Platinum Care, в ней можно стирать с отличным результатом шерстяные изделия на этикетке которых написано «только ручная стирка» (M.0303).

Выберите программу **10** для всех изделий с этикеткой «Ручная стирка» () и используйте специальные средства для стирки шерсти (макс 1 кг).



! Стиральная машина спроектирована и изготовлена в соответствии с международными нормами безопасности. Внимательно прочитайте настоящие предупреждения, составленные в целях вашей безопасности.

## Общие правила безопасности

- Для домашнего использования. Данное изделие является бытовым электроприбором, не предназначенным для профессионального использования. Запрещается модифицировать его функции.
- Стиральная машина должна использоваться только взрослыми лицами, соблюдающими инструкции, приведенные в данном руководстве.
- Не касайтесь работающей машины, если ваши руки или ноги сырые; не пользуйтесь оборудованием босиком.
- Не тяните за питающий кабель, чтобы вынуть вилку из розетки: беритесь за вилку.
- Не открывайте распределитель мощных средств во время работы машины.
- Не касайтесь сливаемой воды, ее температура может быть очень высокой.
- При остановке машины разблокировка замка дверцы срабатывает с трехминутной задержкой. Не пытайтесь открыть дверцу в этом промежуток времени (а тем более во время работы оборудования!): это может повредить механизм блокировки.
- В случае неисправности при любых обстоятельствах не касайтесь внутренних частей машины, пытайтесь починить ее.
- Следите, чтобы дети не приближались к работающей стиральной машине.
- В процессе стирки дверца стиральной машины может нагреваться.
- Если необходимо переместить стиральную машину, выполняйте эту операцию вдвоем или втроем с предельной осторожностью. Никогда не пытайтесь поднять машину в одиночку — оборудование чрезвычайно тяжелое.
- Перед помещением в стиральную машину белья убедитесь, чтобы барабан был пуст.

## Утилизация

- Уничтожение упаковочного материала: соблюдайте действующие требования по утилизации упаковочных материалов.

- Утилизация старой стиральной машины: перед сдачей машины в утиль обрежьте питающий кабель и снимите дверцу.

CIS

## Экономия энергии и охрана окружающей среды

### Экологичная технология

С новой технологией Ariston вы затратите воды в два раза меньше, а эффект от стирки будет в два раза выше! Вот почему вы не можете видеть воду через дверцу: ее очень мало. Это забота об окружающей среде без отказа от максимальной чистоты. И вдобавок ко всему, вы экономите электричество.

### Экономия мощных средств, воды, электроэнергии и времени

- Для экономии ресурсов следует максимально загружать стиральную машину. Один цикл стирки при полной загрузке вместо двух циклов с наполовину загруженным барабаном позволяет сэкономить до 50% электроэнергии.
- Цикл предварительной стирки необходим только для очень грязного белья. При цикле предварительной стирки расходуется больше стирального порошка, времени, воды и на 5 – 15% больше электроэнергии.
- Если вы обрабатываете пятна пятновыводителем или замочите белье перед стиркой, это поможет избежать стирки при высоких температурах. Использование программы стирки при 60°C вместо 90°C, или 40°C вместо 60°C позволяет сэкономить до 50% электроэнергии.
- Правильная дозировка стирального порошка в зависимости от жесткости воды, степени загрязнения и объема загружаемого белья помогает избежать нерационального расхода мощного средства и загрязнения окружающей среды: хотя стиральные порошки и являются биоразлагаемыми, они содержат вещества, отрицательно влияющие на экологию. Кроме того, по возможности избегайте использовать ополаскиватели.
- Использование стиральной машины утром или вечером уменьшит пиковую нагрузку на электросеть.
- Если белье должно сушиться в автоматической сушилке, необходимо выбрать большую скорость отжима. Интенсивный отжим экономит время и электроэнергию при автоматической сушке.

# Обслуживание и уход

CIS

## Отключение воды и электричества

- Перекрывайте водопроводный кран после каждой стирки. Таким образом сокращается износ водопроводной системы стиральной машины и устраняется вероятность протечек.
- Всегда вынимайте вилку из розетки перед мойкой и обслуживанием машины.

## Уход за стиральной машиной

Внешние и резиновые части машины очищайте мягкой тканью с теплой мыльной водой. Не используйте растворители или абразивные чистящие средства.

## Уход за дверцей машины и барабаном

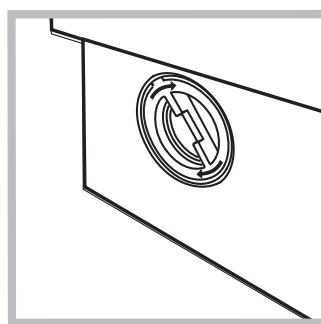
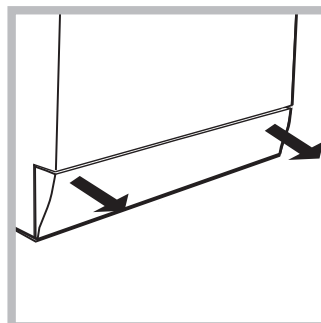
- После каждой стирки оставляйте дверцу машины полуоткрытой во избежание образования в барабане неприятных запахов и плесени.

## Чистка насоса

Стиральная машина имеет сливной насос самоочищающегося типа, который не требует очистки или особого обслуживания. Однако мелкие предметы (монеты, пуговицы и др.) могут случайно попасть в насос. Для их извлечения насос оборудован «уловителем» — фильтром, доступ к которому закрыт нижней передней панелью.

! Убедитесь, что цикл стирки закончился, и отключите оборудование от сети.

Как достать предметы, упавшие в пространство между барабаном и кожухом машины:



1. снимите нижний плинтус в передней части стиральной машины, потянув обеими руками за его края (смотрите рисунок);

2. выверните крышку фильтра, вращая ее против часовой стрелки (см. рис.): из насоса может вылиться немного воды — это нормальное явление.

3. тщательно прочистите фильтр изнутри;

4. заверните крышку обратно;

5. установите на место переднюю панель, предварительно убедившись, что крюки вошли в соответствующие петли.

## Проверка заливного шланга

Проверяйте шланг не реже одного раза в год. При любых признаках течи или повреждения немедленно замените шланг. Во время работы машины неисправный шланг, находящийся под давлением воды, может внезапно лопнуть.

! Никогда не используйте шланги, бывшие в употреблении.

## Как чистить распределитель моющих средств

### Разборка:

Слегка нажмите на большую кнопку на передней стороне распределителя и вытяните его вверх (рис. 1).



Рис. 1

### Чистка:

Затем промойте распределитель под струей воды (рис. 3), используя старую зубную щетку. Выньте пару сифонов, вставленных в вершину отделений 1 и 2 (рис. 4), проверьте не забиты ли они и промойте их.

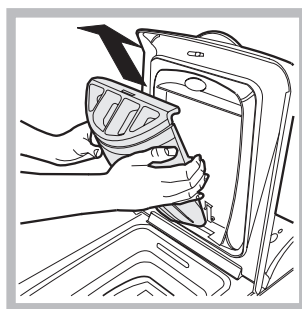


Рис. 2

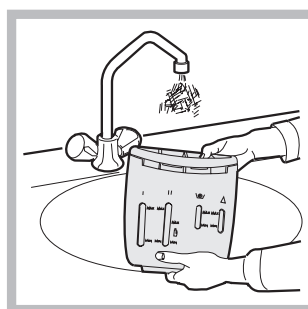


Рис. 3

### Сборка:

Установите пару сифонов в специальные отверстия и затем поместите распределитель на место, вставляя его до щелчка (рис. 4, 2 и 1).

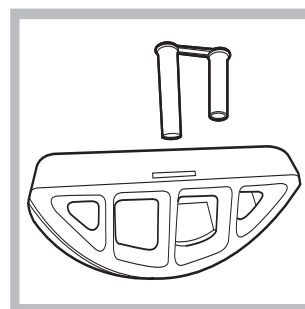


Рис. 4

В случае неудовлетворительных результатов стирки или возникновения неисправностей, прежде чем обратиться в Авторизованный Сервисный центр (см. с. 36), прочитайте этот раздел. В большинстве случаев Вы можете решить возникшие проблемы сами.

## Обнаруженная неисправность:

**Стиральная машина не включается.**

**Цикл стирки не запускается.**

**Стиральная машина не заливает воду.**

**Стиральная машина непрерывно заливает и сливает воду.**

**Стиральная машина не производит слив и отжим.**

**Сильная вибрация при отжиге.**


**Протечки воды из стиральной машины.**

**Индикатор ВКЛЮЧЕНИЕ/ЛЮК ЗАБЛОКИРОВАН часто мигает одновременно с любым другим индикатором.**

**Избыточное пенообразование.**

## Возможные причины / Методы устранения:

- Вилка не вставлена в розетку или вставлена плохо, не обеспечивая контакта.
- В доме отключено электричество.

- Люк плохо закрыт (мигает индикатор Блокировки люка).
- Не была нажата кнопка .
- Не была нажата кнопка ПУСК/СБРОС (Start/Reset).
- Закрыт кран подачи воды.

- Заливной шланг не подсоединен к крану.
- Шланг пережат.
- Закрыт кран подачи воды.
- В доме нет воды.
- Недостаточное водопроводное давление.
- Не была нажата кнопка ПУСК/СБРОС (Start/Reset).

- Сливной шланг расположен ниже 65 или выше 100 см. от пола (см. с. 27).
- Конец сливного шланга погружен в воду (см. с. 27).
- Настенный слив не имеет сливной трубы.

Если сливной шланг встроен в канализацию, имейте в виду, что на верхних этажах может создаваться «сифонный эффект» — машина одновременно сливает и заливает воду. Для предотвращения подобного эффекта устанавливается специальный клапан (антисифон).

- Выбранная программа не предусматривает слив воды — для некоторых программ необходимо включить слив вручную (см. с. 30).
- Активизирована дополнительная функция Легкая глажка: для завершения программы нажмите кнопку ПУСК/СБРОС (Start/Reset) (см. с. 31).
- Сливной шланг пережат (см. с. 27) или засорен.
- Засор в канализации.

- При установке стиральной машины барабан был разблокирован неправильно (см. с. 26).
- Стиральная машина плохо выровнена (см. с. 26).
- Зазор между машиной и стеной/мебелью недостаточен (см. с. 26).

- Плохо закреплен заливной шланг (гайка на конце шланга неплотно затянута и неправильно установлена прокладка (см. с. 26).
- Распределитель моющих средств забит остатками моющих средств (о чистке распределителя см. с. 34).
- Плохо закреплен сливной шланг (см. с. 27).

- Выключите машину и выньте штепсельную вилку из электророзетки, подождите 1 минуту и вновь включите машину.  
Если неисправность не устраняется, обратитесь в Технический Сервис.

- Используется моющее средство, неподходящее для автоматических стиральных машин с фронтальной загрузкой.
- Передозировка моющего средства.

*Если после проверки машина продолжает работать не должным образом, обратитесь в Авторизованный Сервисный центр за помощью. (см. с. 36)*

# Сервисное обслуживание

CIS

## Перед тем как обратиться в Авторизованный Сервисный центр:

- Убедитесь, что вы не можете устранить неисправность самостоятельно (см. с. 35).
- Запустите программу повторно для проверки исправности машины.
- В противном случае обратитесь в Авторизованный Сервисный центр по телефону, указанному в гарантийном документе.

**!** *Не пользуйтесь услугами лиц, не уполномоченных Производителем.  
При ремонте требуйте использования оригинальных запасных частей.*

## При обращении в Авторизованный Сервисный центр сообщите:

- тип неисправности;
- номер гарантийного документа (сервисной книжки, сервисного сертификата и т.п.);
- модель машины (Мод.) и серийный номер (S/N), указанные в информационной табличке, расположенной на задней панели стиральной машины.

### Sumario

#### **Instalación, 38-39**

Desembalaje y nivelación, 38  
Conexiones hidráulicas y eléctricas, 38-39  
Primer ciclo de lavado, 39  
Datos técnicos, 39

#### **Descripción de la lavadora, 40-41**

Panel de control, 40  
Cómo abrir y cerrar el cesto, 41  
Luces testigo, 41

#### **Puesta en marcha y Programas, 42**

En la práctica: poner en marcha un programa, 42  
Tabla de programas, 42

#### **Personalizaciones, 43**

Seleccione la temperatura, 43  
Seleccionar el centrifugado, 43  
Funciones, 43

#### **Detergentes y ropa, 44**

Cajón de detergentes, 44  
Ciclo de blanqueo, 44  
Preparar la ropa, 44  
Prendas especiales, 44  
Woolmark Platinum care, 44

#### **Precauciones y consejos, 45**

Seguridad general, 45  
Eliminaciones, 45  
Ahorrar y respetar el ambiente, 45

#### **Mantenimiento y cuidados, 46**

Excluir el agua y la corriente eléctrica, 46  
Limpiar la lavadora, 46  
Limpiar el contenedor de detergentes, 46  
Cuidar la puerta y el cesto, 46  
Cómo limpiar la cubeta de detergente, 46  
Limpiar la bomba, 46  
Controlar el tubo de alimentación de agua, 46

#### **Anomalías y soluciones, 47**

#### **Asistencia, 48**

Antes de llamar a la Asistencia Técnica, 48

# Instalación

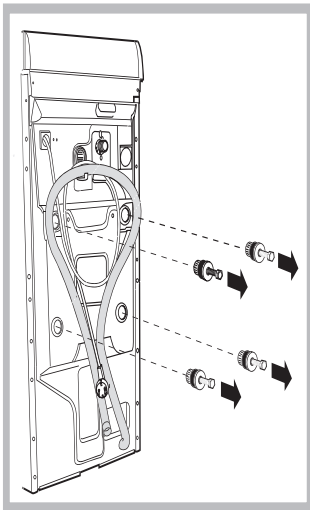
ES

! Es importante conservar este manual para poder consultarlo en cualquier momento. En caso de venta, de cesión o de traslado, verifique que permanezca junto con la lavadora para informar al nuevo propietario sobre el funcionamiento y brindar las correspondientes advertencias.

! Lea atentamente las instrucciones: ellas contienen importante información sobre la instalación, el uso y la seguridad.

## Desembalaje y nivelación

### Desembalaje



1. Desembale la lavadora.
2. Controle que la lavadora no haya sufrido daños durante el transporte. Si estuviera dañada no la conecte y llame al revendedor.
3. Quite los cuatro tornillos de protección para el transporte y la arandela de goma con el correspondiente distanciador, ubicados en la parte posterior (ver la figura).

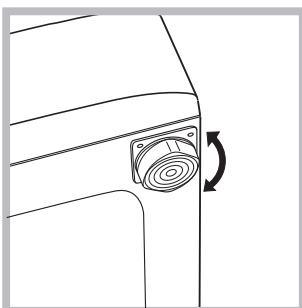
4. Cierre los orificios con los tapones de plástico suministrados con el aparato.

5. Conserve todas las piezas: cuando la lavadora deba ser transportada nuevamente, deberán volver a colocarse.

Atención: si vuelve a utilizar los tornillos más cortos, se deben colocar arriba.

! Los embalajes no son juguetes para los niños.

### Nivelación



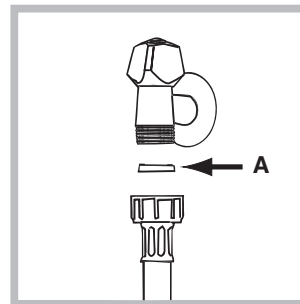
1. Instale la lavadora sobre un piso plano y rígido, sin apoyarla en las paredes, muebles ni en ningún otro aparato.
2. Si el piso no está perfectamente horizontal, compense las irregularidades desenroscando o

enroscando los pies delanteros (véase la figura); el ángulo de inclinación medido sobre la superficie de trabajo, no debe superar los 2°.

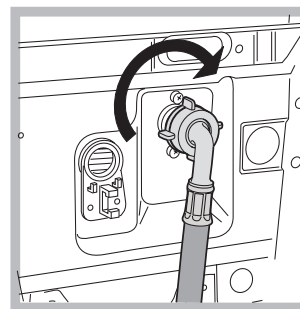
Una cuidadosa nivelación brinda estabilidad a la máquina y evita vibraciones, ruidos y desplazamientos durante el funcionamiento. Cuando se instala sobre moquetas o alfombras, regule los pies para conservar debajo de la lavadora un espacio suficiente para la ventilación.

## Conexiones hidráulicas y eléctricas

### Conexión del tubo de alimentación de agua



1. Introduzca la junta A en el extremo del tubo de alimentación y enrósquelo a un grifo de agua fría con boca roscada de 3/4 gas (véase la figura). Antes de conectarlo, haga correr el agua hasta que salga limpia.



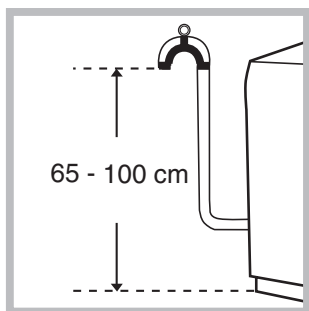
2. Conecte el tubo de alimentación a la lavadora enrósquendolo en la toma de agua correspondiente ubicada en la parte posterior arriba y a la derecha (véase la figura).

3. Verifique que el tubo no tenga pliegues ni estrangulaciones.

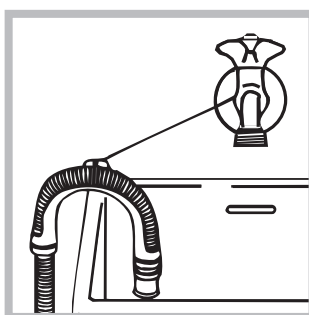
! La presión de agua del grifo debe estar comprendida dentro de los valores contenidos en la tabla de Datos técnicos (ver la página del costado).

! Si la longitud del tubo de alimentación no fuera suficiente, diríjase a una tienda especializada o a un técnico autorizado.

### Conexión del tubo de descarga



Conecte el tubo de descarga, sin plegarlo, a un desagüe de pared ubicado a una distancia del piso comprendida entre 65 y 100 cm;



o apóyelo al borde de un lavabo o de una bañera, uniendo la guía suministrada con el aparato, al grifo (véase la figura). El extremo libre del tubo de descarga no debe permanecer sumergido en el agua.

! No se aconseja utilizar tubos de prolongación, de todos modos, si es indispensable, la prolongación debe tener el mismo diámetro del tubo original y no superar los 150 cm.

### Conexión eléctrica

Antes de enchufar el aparato, verifique que:

- la toma tenga la conexión a tierra y haya sido hecha según las normas legales;
- la toma sea capaz de soportar la carga máxima de potencia de la máquina indicada en la tabla de Datos técnicos (ver al costado);
- la tensión de alimentación esté comprendida dentro de los valores indicados en la tabla de Datos técnicos (ver al costado);
- la toma sea compatible con el enchufe de la lavadora. Si no es así, sustituya la toma o el enchufe.

! La lavadora no debe ser instalada al aire libre, ni siquiera si el lugar está preparado, ya que es muy peligroso dejarla expuesta a la lluvia o a las tormentas.

! Una vez instalada la lavadora, la toma de corriente debe ser fácilmente accesible.

! No utilice alargadores ni conexiones múltiples.

! El cable no debe estar plegado ni sufrir compresiones.

! El cable de alimentación debe ser sustituido sólo por técnicos autorizados.

¡Atención! La empresa fabricante declina toda responsabilidad en caso de que estas normas no sean respetadas.

### Primer ciclo de lavado

Después de la instalación y antes del uso, realice un ciclo de lavado con detergente y sin ropa, seleccionando el programa a 90°C sin prelavado.

### Datos técnicos

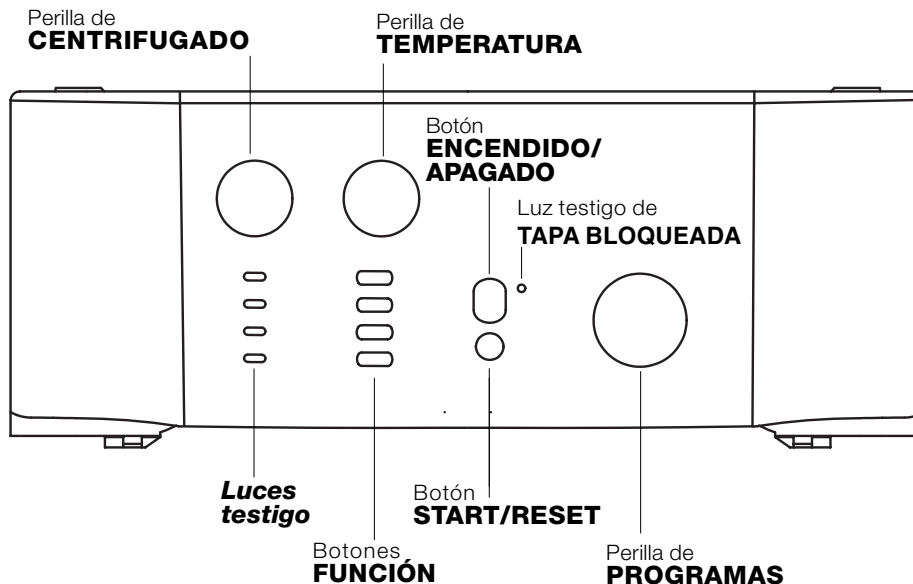
<b>Modelo</b>	AVTL 83
<b>Dimensiones</b>	ancho 40 cm. altura 85 cm. profundidad 60 cm.
<b>Capacidad</b>	de 1 a 5 kg.
<b>Conexiones eléctricas</b>	Ver la placa de características técnicas aplicada en la máquina
<b>Conexiones hídricas</b>	presión máxima 1 MPa (10 bar) presión mínima 0,05 MPa (0,5 bar) capacidad del cesto 42 litros
<b>Velocidad de centrifugado</b>	máxima 800 r.p.m.
<b>Programas de control según la norma EN 60456</b>	programa 3; temperatura 60°C; efectuado con 5 kg. de carga.
	Esta máquina cumple con lo establecido por las siguientes Directivas de la Comunidad: - 89/336/CEE del 03/05/89 (Compatibilidad Electromagnética) y sucesivas modificaciones - 2006/95/CE - 2002/96/CE



# Descripción de la lavadora

ES

## Panel de control



**Contenedor de detergentes** para cargar detergentes y aditivos (véase la *pág. 44*).

**Luces testigo** para seguir el estado de avance del programa de lavado. Si se seleccionó la función Delay Timer, indicarán el tiempo que falta para la puesta en marcha del programa (ver la *pág. 41*).

Perilla de **CENTRIFUGADO** para seleccionar el centrifugado o excluirlo (ver la *pág. 43*).

Botones de **FUNCIÓN** para seleccionar las funciones disponibles. El botón correspondiente a la función seleccionada permanecerá encendido.

Perilla de **TEMPERATURA** para seleccionar la temperatura o el lavado en frío (ver la *pág. 43*).

Botón de **ENCENDIDO/APAGADO** para encender y apagar la lavadora.

Botón **START/RESET** para poner en marcha los programas o anular las selecciones incorrectas.

Luz testigo de **ENCENDIDO/TAPA BLOQUEADA** para saber si la lavadora está encendida (centelleante) y si la tapa se puede abrir (fija) (véase la *pág. 41*).

Perilla de **PROGRAMAS** para seleccionar los programas (véase la *pág. 42*). Durante el programa la perilla no se mueve.

### 🚫 Luz indicadora de **ENCENDIDO/PUERTA BLOQUEADA**:

La luz testigo encendida indica que la puerta está bloqueada para impedir aperturas accidentales; para evitar daños es necesario esperar que la luz testigo centellee antes de abrirla.

! El centelleo rápido de la luz indicadora de **ENCENDIDO/PUERTA BLOQUEADA** simultáneamente con, al menos, el de otra luz testigo, indica una anomalía. Llame a la Asistencia Técnica.



## Cómo abrir y cerrar el cesto

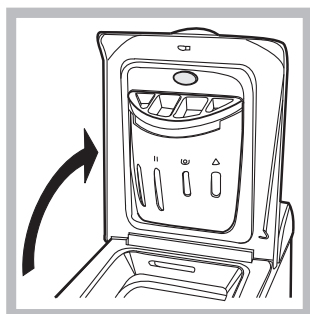


Fig. 1



Fig. 2



Fig. 3

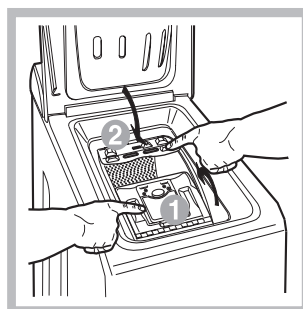


Fig. 4

**A) ABERTURA (Fig. 1)** Levante la tapa externa y ábrala completamente

**B) Abra luego el cesto usando ambas manos, como se indica en la Fig. 2:**

- presione el botón indicado por la flecha en la Fig. 2, ejerciendo una leve presión hacia abajo, mantenga apoyada una mano, para evitar que las puertas se abran repentinamente haciendo mal a los dedos;
- luego acompañe las pueritas que se desengancharán y se abrirán fácilmente.

**C) INTRODUCCIÓN DE LA ROPA (Fig. 3)**

**D) CIERRE (Fig. 4)**

- cierre bien el cesto bajando primero la puerta delantera y apoyando luego la posterior;
- luego verifique que los ganchos de la puerta delantera estén perfectamente alojados en la sede de la puerta posterior;
- después de haber escuchado el "clac" correspondiente al enganche, ejerza una leve presión hacia abajo sobre ambas puertas que no se deben desenganchar;
- por último cierre la tapa externa.

## Luces testigo

Las luces testigo suministran información importante. He aquí lo que nos dicen:

### Fase en curso:

Durante el ciclo de lavado, las luces testigo se encenderán progresivamente para indicar su estado de avance.

	Prelavado
	Lavado
	Aclarado
	Centrifugado

Nota: durante la fase de descarga se iluminará la luz testigo correspondiente a la fase de Centrifugado.

### Botones de FUNCIÓN

Los BOTONES DE FUNCIÓN también actúan como luces testigo.

Al seleccionar una función, el botón correspondiente se iluminará.


Si la función seleccionada no es compatible con el programa elegido, el botón centelleará y la función no se activará.


Cuando se seleccione una función incompatible con otra seleccionada precedentemente, permanecerá activa sólo la última selección realizada.

# Puesta en marcha y Programas




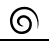

ES

## En la práctica: poner en marcha un programa

1. Encienda la lavadora pulsando el botón . Todas las luces testigo se encenderán durante algunos segundos, luego se apagarán y la luz indicadora de ENCENDIDO/PUERTA BLOQUEADA comenzará a centellear.
2. Cargue la ropa, vierta el detergente y los aditivos (véase la pág. 44) y por último cierre las puertas y la tapa.
3. Seleccione el programa deseado con el mando de PROGRAMAS.

4. Fije la temperatura de lavado (ver la pág. 43).
5. Fije la velocidad de centrifugado (ver la pág. 43).
6. Ponga en marcha el programa pulsando el botón START/RESET.  
Para anular, mantenga presionado el botón START/RESET durante 2 segundos como mínimo.
7. Al finalizar el programa, la luz indicadora de ENCENDIDO/PUERTA BLOQUEADA centelleará indicando que la puerta se puede abrir. Extraiga la ropa y deje la puerta semicerrada para permitir que el cesto se seque. Apague la lavadora pulsando el botón .

## Tabla de programas

Tipos de tejidos y de suciedad	Programas	Temperatura	Detergente		Suavizante	Opción blanqueo / Blanqueador	Duración del ciclo (minutos)	Descripción del ciclo de lavado
			Prelav.	Lavado				
<b>Algodón</b>								
Blancos extremadamente sucios (sábanas, manteles, etc.)	1	90°C	•	•	•		155	Prelavado, lavado, aclarados, centrifugados intermedios y final
Blancos extremadamente sucios (sábanas, manteles, etc.)	2	90°C		•	•	Delicado / Tradicional	147	Lavado, aclarados, centrifugados intermedios y final
Blancos y de color resistentes muy sucios	3	60°C		•	•	Delicado / Tradicional	157	Lavado, aclarados, centrifugados intermedios y final
Blancos poco sucios y colores delicados (camisas, camisetitas, etc.)	4	40°C		•	•	Delicado / Tradicional	96	Lavado, aclarados, centrifugados intermedios y final
Colores delicados poco sucios	5	30°C		•	•	Delicado / Tradicional	88	Lavado, aclarados, centrifugados intermedios y final
<b>Sintéticos</b>								
Colores resistentes muy sucios (ropa para recién nacidos, etc.)	6	60°C		•	•	Delicado	97	Lavado, aclarados, antiarrugas o centrifugado delicado
Colores resistentes muy sucios (ropa para recién nacidos, etc.)	7	50°C		•	•	Delicado	93	Lavado, aclarados, antiarrugas o centrifugado delicado
Colores delicados (ropa de todo tipo poco sucia)	8	40°C		•	•	Delicado	83	Lavado, aclarados, antiarrugas o centrifugado delicado
Colores delicados (ropa de todo tipo poco sucia)	9	30°C		•	•		33	Lavado, aclarados y centrifugación delicada
<b>Delicados</b>								
Lana	10	40°C		•	•	Delicado	48	Lavado, aclarados y centrifugación delicada
Tejidos muy delicados (cortinas, seda, viscosa, etc.)	11	30°C		•	•		55	Lavado, aclarados, antiarrugas o desagüe
<b>PROGRAMAS PARCIALES</b>								
Aclarado					•	•		Aclarados y centrifugado
Aclarado delicado					•	•		Aclarados, antiarrugas o desagüe
Centrifugado								Desagüe y centrifugado energético
Centrifugado delicado								Desagüe y centrifugación delicada
Desagüe								Desagüe

## Notas

Para la descripción del antiarrugas: consulte Plancha fácil, *página siguiente*. Los datos contenidos en la tabla tienen un valor indicativo.

## Programa especial

*Diario 30'* (programa 9 para Sintéticos) fue estudiado para lavar prendas ligeramente sucias y en poco tiempo: dura sólo 30 minutos y de esa manera hace ahorrar energía y tiempo. Seleccionando el programa (9 a 30°C) es posible lavar conjuntamente tejidos de distinto tipo (excluidas lana y seda), con una carga máxima de 3 kg. *Se aconseja el uso de detergente líquido.*

## **Seleccione la temperatura**

Girando el mando de la TEMPERATURA se selecciona la temperatura de lavado (ver la Tabla de programas en la *pág. 42*). La temperatura se puede disminuir hasta el lavado en frío .

## **Seleccionar el centrifugado**

Girando el mando de CENTRIFUGADO se selecciona la velocidad de centrifugado del programa seleccionado. Las velocidades máximas previstas para los programas son:

Programa	Velocidad máxima
Algodón	800 r.p.m.
Sintéticos	800 r.p.m.
Lana	600 r.p.m.
Seda	no

Se puede disminuir la velocidad de centrifugado o excluirlo seleccionando el símbolo .

La máquina impedirá automáticamente efectuar un centrifugado a una velocidad mayor que la máxima prevista para cada programa.

**!** Para evitar vibraciones excesivas, antes de cada centrifugado, la máquina distribuye la carga de modo uniforme, esto se produce efectuando rotaciones continuas del cesto a una velocidad ligeramente superior a la del lavado. Aún cuando después de repetidos intentos, la carga no se distribuye perfectamente, la máquina realiza el centrifugado a una velocidad inferior a la prevista.

Cuando existe un excesivo desequilibrado, la máquina efectúa la distribución en lugar del centrifugado.

Los intentos de equilibrado pueden aumentar la duración total del ciclo hasta un máximo de 10 minutos.

## **Funciones**

Las distintas funciones de lavado previstas por la lavadora permiten obtener la limpieza y el blanco deseados. Para activar las funciones:

1. pulse el botón correspondiente a la función deseada de acuerdo con la tabla que se encuentra debajo;
2. el encendido del botón correspondiente indica que la función está activa.

Nota: El centelleo rápido del botón indica que la función correspondiente no se puede seleccionar para el programa elegido.

Funciones	Efecto	Notas para el uso	Activa con los programas:
<b>Super Wash</b> 	Permite una limpieza impecable, visiblemente más blanco del estándar en Clase A.	No es compatible con la función RÁPIDO.	1, 2, 3, 4, 5, 6, 7, 8
<b>Plancha fácil</b> 	Reduce las arrugas en los tejidos, facilitando el planchado.	Seleccionando esta función, los programas 6, 7, 8, 11 y Aclarado delicado se interrumpirán con la ropa en remojo (Antiarrugas) y la luz indicadora de la fase de Aclarado  centelleará: - para completar el ciclo pulse el botón START/RESET; - para efectuar sólo la descarga coloque la perilla en el símbolo correspondiente  y pulse el botón START/RESET.	<b>Todos excepto 1, 2, 9, 10 y Desagüe.</b>
<b>Rápido</b> 	Disminuye en un 30% aproximadamente la duración del ciclo de lavado.	No es compatible con la función SUPER WASH.	1, 2, 3, 4, 5, 6, 7, 8 <b>Aclarados</b>
<b>Enjuague Extra</b> 	Aumenta la eficacia del enjuague.	Es aconsejable con la lavadora a plena carga o con dosis elevadas de detergente.	1, 2, 3, 4, 5, 6, 7, 8, <b>Aclarados.</b>

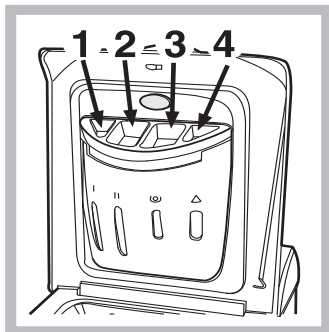
# Detergentes y ropa

ES

## Cajón de detergentes

El buen resultado del lavado depende también de la correcta dosificación del detergente: si se excede la cantidad, no se lava de manera más eficaz, sino

que se contribuye a encostrar las partes internas de la lavadora y a contaminar el ambiente.



Extraiga el cajón de detergentes e introduzca el detergente o el aditivo de la siguiente manera:

### **cupeta 1: Detergente para prelavado (en polvo)**

### **cupeta 2: Detergente para lavado (en polvo o líquido)**

El detergente líquido es conveniente colocarlo directamente en la cuba utilizando la correspondiente bola de dosificación.

### **cupeta 3: Aditivos (suavizante, etc.)**

Cuando vierta el suavizante en el compartimiento 3, tenga cuidado de no superar el nivel "max" indicado. El suavizante se introduce automáticamente en la máquina durante el último aclarado. Al finalizar el programa de lavado, en el compartimiento 3 permanece una cantidad residual de agua. La función de la misma es la introducción de suavizantes muy densos o diluir a aquellos concentrados. Si en el compartimiento 3 permaneciera más agua de la normal, esto significa que el dispositivo de vaciado está obstruido. Para la limpieza, véase la pág. 46.


### **cupeta 4: Blanqueador**

**!** No use detergentes para el lavado a mano ya que producen demasiada espuma.

## Ciclo de blanqueo

El blanqueador **tradicional** debe utilizarse para los tejidos resistentes blancos, mientras que el **delicado** debe utilizarse para la lana y los tejidos coloreados y sintéticos.

Al verter el blanqueador no debe superar el nivel "máx." indicado en la cubeta 4 (véase la figura). Para realizar sólo el blanqueo, vierta el blanqueador en la cubeta 4 y seleccione la función

Enjuague extra .

## Preparar la ropa

- Subdivida la ropa según:
  - el tipo de tejido / el símbolo en la etiqueta.
  - los colores: separe las prendas de color y las blancas.
- Vacíe los bolsillos y controle los botones.
- No supere los valores indicados, referidos al peso de la ropa seca:
  - Tejidos resistentes: max 5 kg.
  - Tejidos sintéticos: max 2,5 kg.
  - Tejidos delicados: max 2 kg.
  - Lana: max 1 kg.

### **¿Cuánto pesa la ropa?**

- 1 sábana 400/500 g
- 1 funda 150/200 g
- 1 mantel 400/500 g
- 1 albornoz 900/1.200 g
- 1 toalla 150/250 g

## Prendas especiales

**Cortinas:** pliéguelas y colóquelas dentro de una funda o de una bolsa de red. Lávelas solas sin superar la media carga. Utilice el programa 11 que excluye automáticamente el centrifugado.

**Cazadoras acolchadas con plumas y anoraks:** si el relleno es de pluma de ganso o de pato, se pueden lavar en la lavadora. Poner las prendas del revés y realizar una carga máxima de 2-3 kg. repitiendo el enjuague una o dos veces y utilizando el centrifugado delicado.


**Zapatillas de tenis:** quíteles el lodo. Se pueden lavar con los jeans y con prendas resistentes pero no con prendas blancas.

**Lana:** para obtener los mejores resultados, utilice un detergente específico y no supere 1 kg. de carga.

## Cachemire Platinum

### **Delicado como el lavado a mano.**



Hotpoint Ariston introdujo un nuevo estándar de prestaciones superiores reconocido por The Woolmark Company con la prestigiosa marca Woolmark Platinum Care. Si en la lavadora está el logo Woolmark Platinum Care, se pueden lavar las prendas de lana que posean la etiqueta "Lavar a mano" (M.0303) obteniendo excelentes resultados: Seleccione el programa 10 para todas las prendas con "Lavar a mano" , utilizando detergentes específicos, (carga max 1 kg.).

! La lavadora fue proyectada y fabricada en conformidad con las normas internacionales de seguridad. Estas advertencias se suministran por razones de seguridad y deben ser leídas atentamente.

## Seguridad general

- Este aparato fue fabricado para uso doméstico.
- La lavadora debe ser utilizada sólo por personas adultas y siguiendo las instrucciones contenidas en este manual.
- No toque la máquina con los pies desnudos ni con las manos o los pies mojados o húmedos.
- No desenchufe la máquina tirando del cable, sino tomando el enchufe.
- No abra el contenedor de detergentes mientras la máquina está en funcionamiento.
- No toque el agua de desagüe ya que puede alcanzar temperaturas elevadas.
- En ningún caso fuerce la puerta: podría dañarse el mecanismo de seguridad que la protege de aperturas accidentales.
- En caso de avería, no acceda nunca a los mecanismos internos para intentar una reparación.
- Controle siempre que los niños no se acerquen a la máquina cuando está en funcionamiento.
- Durante el lavado, la puerta tiende a calentarse.
- Si debe ser trasladada, deberán intervenir dos o más personas, procediendo con el máximo cuidado. La máquina no debe ser desplazada nunca por una persona sola ya que es muy pesada.
- Antes de introducir la ropa controle que el cesto esté vacío.

## Eliminaciones

- Eliminación del material de embalaje: respete las normas locales, de ese modo, los embalajes podrán volver a ser utilizados.
- **Eliminación del electrodoméstico viejo**  
En base a la Norma europea 2002/96/CE de Residuos de aparatos Eléctricos y Electrónicos (RAEE), los electrodomésticos viejos no pueden ser

arrojados en los contenedores municipales habituales; tienen que ser recogidos selectivamente para optimizar la recuperación y reciclado de los componentes y materiales que los constituyen, y reducir el impacto en la salud humana y el medioambiente. El símbolo del cubo de basura tachado se marca sobre todos los productos para recordar al consumidor la obligación de separarlos para la recogida selectiva.

El consumidor debe contactar con la autoridad local o con el vendedor para informarse en relación a la correcta eliminación de su electrodoméstico viejo

- Eliminación de la vieja lavadora:  
antes de desguazarla, inutilícela cortando el cable de alimentación eléctrica y quitando la puerta.

## Ahorrar y respetar el medio ambiente

### Tecnología a servicio del medio ambiente

Si en la puerta se ve poca agua es porque con la nueva tecnología Indesit basta menos de la mitad del agua para alcanzar la mayor limpieza: un objetivo alcanzado para respetar el medio ambiente.

### Ahorrar detergente, agua, energía y tiempo

- Para no derrochar recursos es necesario utilizar la lavadora con la máxima carga. Una carga completa en lugar de dos medias cargas permite ahorrar hasta el 50% de energía.
- El prelavado es necesario sólo para ropa muy sucia. Evitarlo permite ahorrar detergente, tiempo, agua y entre el 5 y el 15% de energía.
- Tratar las manchas con un quitamanchas o dejarlas en remojo antes del lavado, disminuye la necesidad de lavar a altas temperaturas. Un programa a 60°C en vez de 90°C o uno a 40°C en vez de 60°C, permite ahorrar hasta un 50% de energía.
- Dosificar bien el detergente en base a la dureza del agua, al grado de suciedad y a la cantidad de ropa evita derroches y protege el ambiente: aún siendo biodegradables, los detergentes contienen elementos que alteran el equilibrio de la naturaleza. Además, si es posible, evite utilizar el suavizante.
- Si el lavado debe ser secado en una secadora, seleccione una velocidad de centrifugado alta. Poca agua en el lavado, permite ahorrar tiempo y energía en el programa de secado.

# Mantenimiento y cuidados

ES

## Excluir agua y corriente eléctrica

- Cierre el grifo de agua después de cada lavado. De este modo se limita el desgaste de la instalación hidráulica de la lavadora y se elimina el peligro de pérdidas.
- Desenchufe la máquina cuando la deba limpiar y durante los trabajos de mantenimiento.

## Limpiar la lavadora

La parte externa y las partes de goma se pueden limpiar con un paño embebido en agua tibia y jabón. No use solventes ni productos abrasivos.

## Limpiar el cajón de los detergentes

Extraiga el contenedor levantándolo y tirando hacia fuera (ver la figura). Lávelo debajo del agua corriente, esta limpieza se debe realizar frecuentemente.

## Cuidar la puerta y el cesto

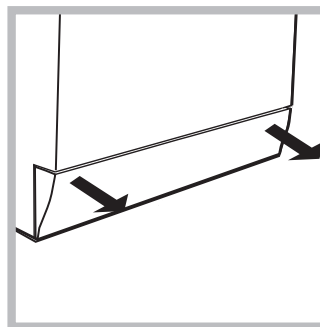
- Deje siempre semicerrada la puerta para evitar que se formen malos olores.

## Limpiar la bomba

La lavadora posee una bomba autolimpiante que no necesita mantenimiento. Pero puede suceder que objetos pequeños (monedas, botones) caigan en la precámara que protege la bomba, situada en la parte inferior de la misma.

! Verifique que el ciclo de lavado haya terminado y desenchufe la máquina.

Para recuperar los objetos caídos en la precámara:



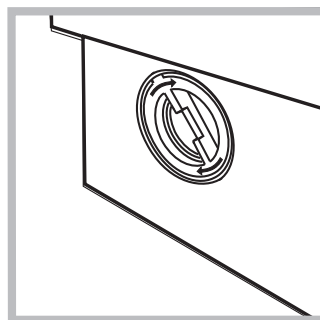
1. quite el zócalo ubicado en la parte inferior delantera de la lavadora tirando de los costados con las manos (ver la figura);

2. desenrosque la tapa girándola en sentido antihorario (ver la figura); es normal que se vuelque un poco de agua;

3. limpie con cuidado el interior;

4. vuelva a enroscar la tapa;

5. vuelva a montar el panel verificando, antes de empujarlo hacia la máquina, que los ganchos se hayan introducido en las correspondientes ranuras.



## Controle el tubo de alimentación de agua

Controle el tubo de alimentación al menos una vez al año. Si presenta grietas o rozaduras se debe sustituir: durante los lavados, las fuertes presiones podrían provocar roturas imprevistas.

! No utilice nunca tubos ya usados.

## Cómo limpiar la cubeta de detergente

### Desmontaje:

Ejerza una ligera presión sobre el botón grande en la parte delantera de la cubeta de detergente y tírelo hacia arriba (fig. 1).

### Limpeza:

Limpeze luego la cubeta bajo el grifo (fig.3) utilizando un viejo cepillo de dientes y, una vez extraído el par de sifones ubicados en la parte superior de los compartimientos 1 y 2 (fig. 4), controle que los mismos no estén obstruidos y enjuáguelos.

### Reinstalación:

No olvide volver a introducir el par de sifones en sus correspondientes alojamientos y por último volver a colocar la cubeta en su lugar, enganchándola (fig. 4, 2, 1).

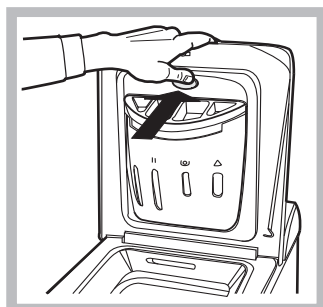


Fig. 1

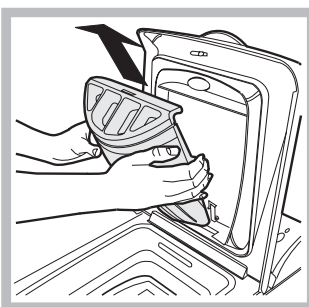


Fig. 2

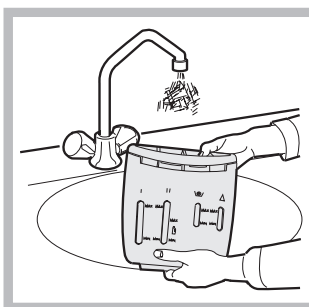


Fig. 3

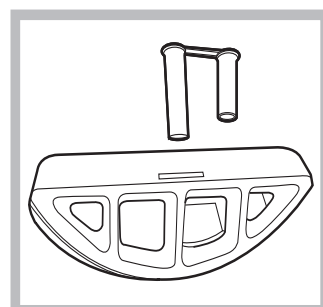


Fig. 4



Puede suceder que la lavadora no funcione. Antes de llamar a la Asistencia Técnica (*ver la pág. 48*), controle que no se trate de un problema de fácil solución ayudándose con la siguiente lista.


## **Anomalías:**

## **Posibles causas / Solución:**

### **La lavadora no se enciende.**

- El enchufe no está introducido en la toma de corriente, o no hace contacto.
- En la casa no hay corriente.

### **El ciclo de lavado no comienza.**

- La puerta no está bien cerrada (la luz que indica Puerta Bloqueada centellea).
- El botón  no fue pulsado.
- El botón START/RESET no fue pulsado.
- El grifo del agua no está abierto.

### **La lavadora no carga agua.**

- El tubo de alimentación de agua no está conectado al grifo.
- El tubo está plegado.
- El grifo de agua no está abierto.
- En la casa falta el agua.
- No hay suficiente presión.
- El botón START/RESET no fue pulsado.

### **La lavadora carga y descarga agua continuamente.**

- El tubo de desagüe no está instalado entre los 65 y 100 cm. del suelo (*ver la pág. 39*).
- El extremo del tubo de descarga está sumergido en el agua (*ver la pág. 39*).
- La descarga de pared no posee un respiradero.

Si después de estas verificaciones el problema no se resuelve, cierre el grifo de agua, apague la lavadora y llame a la Asistencia. Si la vivienda se encuentra en uno de los últimos pisos de un edificio, es posible que se verifiquen fenómenos de sifonaje, por ello la lavadora carga y descarga agua de modo continuo. Para eliminar este inconveniente se encuentran disponibles en el comercio válvulas especiales que permiten evitar el sifonaje.

### **La lavadora no descarga o no centrifuga.**

- El programa no prevé la descarga: con algunos programas es necesario activarlo manualmente (*ver la pág. 42*).
- La opción Plancha fácil está activa: para completar el programa, pulse el botón START/RESET (*ver la pág. 43*).
- El tubo de descarga está plegado (*ver la pág. 39*).
- El conducto de descarga está obstruido.

### **La lavadora vibra mucho durante la centrifugación.**

- El cesto, en el momento de la instalación, no fue desbloqueado correctamente (*ver la pág. 38*).
- La lavadora no está instalada en un lugar plano (*ver la pág. 38*).
- Existe muy poco espacio entre la lavadora, los muebles y la pared (*ver la pág. 38*).

### **La lavadora pierde agua.**

- El tubo de alimentación de agua no está bien enroscado (*ver la pág. 38*).
- El cajón de detergentes está obstruido (para limpiarlo *ver la pág. 46*).
- El tubo de descarga no está bien fijado (*ver la pág. 39*).

### **La luz indicadora de ENCENDIDO/ PUERTA BLOQUEADA centillea de modo rápido simultáneamente con, al menos, otra luz testigo:**

- Apague la máquina y desenchúfela, espere aproximadamente 1 minuto y luego vuelva a encenderla. Si la anomalía persiste, llame al Servicio de Asistencia Técnica.

### **Se forma demasiada espuma.**

- El detergente no es específico para la lavadora (debe contener algunas de las frases "para lavadora", "a mano o en lavadora" o similares).
- La dosificación fue excesiva.

**Antes de llamar a la Asistencia Técnica:**

- Verifique si la anomalía la puede resolver solo (*ver la pág. 47*);
  - Vuelva a poner en marcha el programa para controlar si el inconveniente fue resuelto;
  - Si no es así, llame a la Asistencia técnica autorizada, al número de teléfono indicado en el certificado de garantía.
- ! No recurra nunca a técnicos no autorizados.

**Comunicar:**

- el tipo de anomalía;
- el modelo de la máquina (Mod.);
- el número de serie (S/N ).

Estas informaciones se encuentran en la placa que está fijada en la parte posterior de la lavadora.



I

Italiano

AVTL 83

### Sommario

#### **Installazione, 50-51**

Disimballo e livellamento, 50  
Collegamenti idraulici ed elettrici, 50-51  
Primo ciclo di lavaggio, 51  
Dati tecnici, 51

#### **Descrizione della lavabiancheria, 52-53**

Pannello di controllo, 52  
Come aprire e chiudere il cestello, 53  
Spie, 53

#### **Avvio e Programmi, 54**

In breve: avviare un programma, 54

#### **Personalizzazioni, 55**

Impostare la temperatura, 55  
Impostare la centrifuga, 55  
Funzioni, 55

#### **Detersivi e biancheria, 56**

Cassetto dei detersivi, 56  
Preparare la biancheria, 56  
Capi particolari, 56  
Woolmark Platinum Care, 56

#### **Precauzioni e consigli, 57**

Sicurezza generale, 57  
Smaltimento, 57  
Risparmiare e rispettare l'ambiente, 57

#### **Manutenzione e cura, 58**

Escludere acqua e corrente elettrica, 58  
Pulire la lavabiancheria, 58  
Pulire il cassetto dei detersivi, 58  
Curare sportello e cestello, 58  
Pulire la pompa, 58  
Controllare il tubo di alimentazione dell'acqua, 58

#### **Anomalie e rimedi, 59**

#### **Assistenza, 60**

 **Hotpoint**  
ARISTON

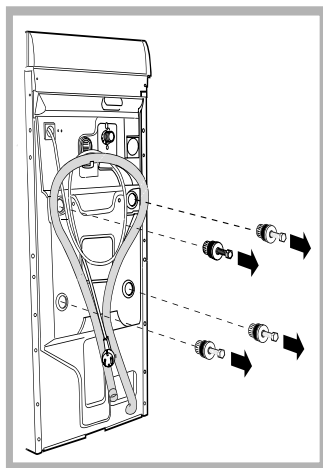
# Installazione

! È importante conservare questo libretto per poterlo consultare in ogni momento. In caso di vendita, di cessione o di trasloco, assicurarsi che resti insieme alla lavabiancheria per informare il nuovo proprietario sul funzionamento e sui relativi avvertimenti.

! Leggere attentamente le istruzioni: ci sono importanti informazioni sull'installazione, sull'uso e sulla sicurezza.

## Disimballo e livellamento

### Disimballo



1. Disimballare la lavabiancheria.
2. Controllare che la lavabiancheria non abbia subito danni nel trasporto. Se fosse danneggiata non collegarla e contattare il rivenditore.
3. Rimuovere le quattro viti di protezione per il trasporto e il gommino con il relativo distanziale, posti nella parte posteriore (vedi figura).

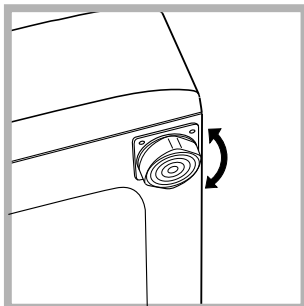
4. Chiudere i fori con i tappi di plastica in dotazione.
5. Conservare tutti i pezzi: qualora la lavabiancheria debba essere trasportata, dovranno essere rimontati.

**Attenzione.** In caso di riutilizzo le viti più corte devono essere montate in alto.

! Gli imballaggi non sono giocattoli per bambini.

### Livellamento

La vostra macchina potrà essere rumorosa se i due piedini anteriori non sono stati regolati correttamente.



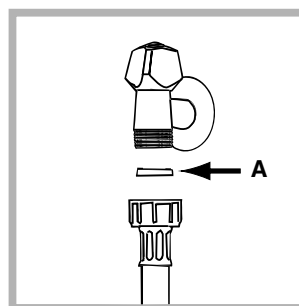
1. Installare la lavabiancheria su un pavimento piano e rigido, senza appoggiarla a muri, mobili o altro.
2. Se il pavimento non fosse perfettamente orizzontale, compensare le irregolarità svitando o

avvitando i piedini anteriore e/o posteriori (vedi figura); l'angolo di inclinazione, misurato sul piano di lavoro, non deve superare i 2°.

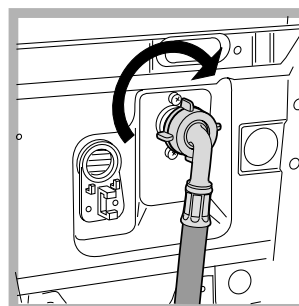
Un accurato livellamento dà stabilità alla macchina ed evita vibrazioni, rumori e spostamenti durante il funzionamento. In caso di moquette o di un tappeto, regolare i piedini in modo da conservare sotto la lavabiancheria uno spazio sufficiente per la ventilazione.

## Collegamenti idraulici ed elettrici

### Collegamento del tubo di alimentazione dell'acqua



1. Inserire la guarnizione A nell'estremità del tubo di alimentazione e avvitarlo a un rubinetto d'acqua fredda con bocca filettata da 3/4 gas (vedi figura). Prima di allacciare, far scorrere l'acqua finché non sia limpida.



2. Collegare il tubo di alimentazione alla lavabiancheria avvitandolo all'apposita presa d'acqua, nella parte posteriore in alto a destra (vedi figura).

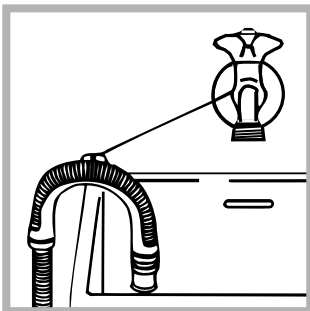
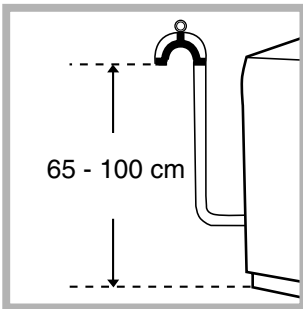
3. Fare attenzione che nel tubo non ci siano né pieghe né strozzature.

! La pressione idrica del rubinetto deve essere compresa nei valori della tabella Dati tecnici (vedi pagina a fianco).

! Se la lunghezza del tubo di alimentazione non fosse sufficiente, rivolgersi a un negozio specializzato o a un tecnico autorizzato.

### Collegamento del tubo di scarico

Collegare il tubo di scarico, senza piegarlo, a una conduttura di scarico o a uno scarico a muro posti tra 65 e 100 cm da terra; oppure appoggiarlo al bordo di un lavandino o di una vasca, legando la guida in dotazione al rubinetto (vedi figura). L'estremità libera del tubo di scarico non deve rimanere immersa nell'acqua.



! È sconsigliato usare tubi di prolunga; se indispensabile, la prolunga deve avere lo stesso diametro del tubo originale e non superare i 150 cm.

### Collegamento elettrico

Prima di inserire la spina nella presa della corrente, accertarsi che:

- la presa abbia la messa a terra e sia a norma di legge;
- la presa sia in grado di sopportare il carico massimo di potenza della macchina, indicato nella tabella Dati tecnici (vedi a fianco);
- la tensione di alimentazione sia compresa nei valori indicati nella tabella Dati tecnici (vedi a fianco);
- la presa sia compatibile con la spina della lavabiancheria. In caso contrario sostituire la presa o la spina.

! La lavabiancheria non va installata all'aperto, nemmeno se lo spazio è riparato, perché è molto pericoloso lasciarla esposta a pioggia e temporali.

! A lavabiancheria installata, la presa della corrente deve essere facilmente raggiungibile.

! Non usare prolunghe e multiple.

! Il cavo non deve subire piegature o compressioni.

! Il cavo di alimentazione deve essere sostituito solo da tecnici autorizzati.

Attenzione! L'azienda declina ogni responsabilità qualora queste norme non vengano rispettate. Qualsiasi modifica apportata all'attacco predisposto dalla fabbrica o un irregolare collegamento elettrico, una qualsiasi modifica elettromeccanica o idraulica della macchina farà decadere la garanzia e solleverà il costruttore ed il venditore da eventuali responsabilità.

### Primo ciclo di lavaggio

Dopo l'installazione, prima dell'uso, effettuare un ciclo di lavaggio con detersivo e senza biancheria impostando il programma a 90°C senza prelavaggio.

### Dati tecnici

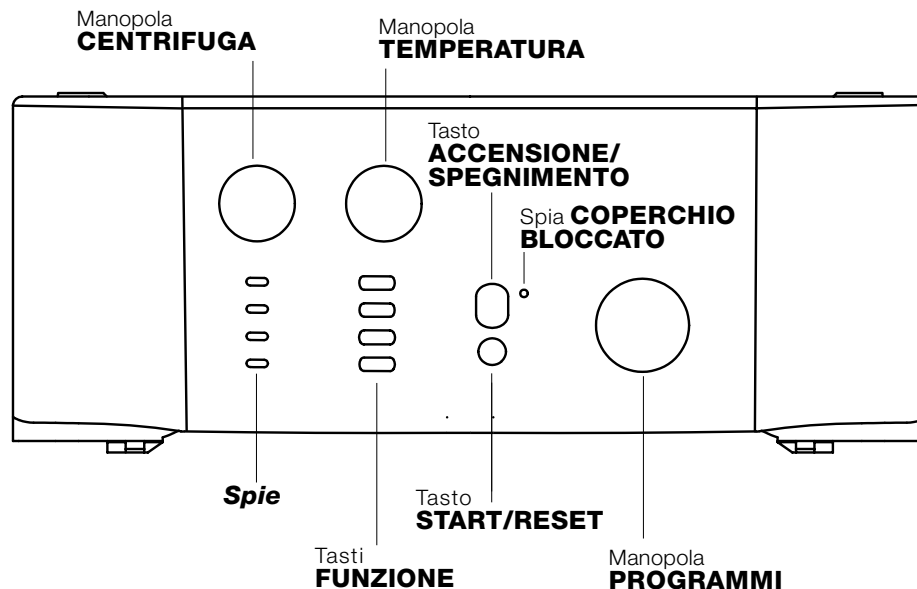
<b>Modello</b>	AVTL 83
<b>Dimensioni</b>	larghezza cm 40 altezza cm 85 profondità cm 60
<b>Capacità</b>	da 1 a 5 kg
<b>Collegamenti elettrici</b>	Vedi targhetta caratteristiche tecniche applicata sulla macchina
<b>Collegamenti idrici</b>	pressione massima 1 MPa (10 bar) pressione minima 0,05 MPa (0,5 bar) capacità del cesto 42 litri
<b>Velocità di centrifuga</b>	sino a 800 giri al minuto
<b>Programmi di controllo secondo la norma EN 60456</b>	programma 3; temperatura 60°C; effettuato con 5 kg di carico.



Questa apparecchiatura è conforme alle seguenti Direttive Comunitarie:  
- 89/336/CEE del 03/05/89 (Compatibilità Elettromagnetica) e successive modificazioni  
- 2006/95/CE  
- 2002/96/CE

# Descrizione della lavabiancheria

## Pannello di controllo



**Cassetto dei detersivi** per caricare detersivi e additivi (vedi pag. 56).

**Spie** per seguire lo stato di avanzamento del programma di lavaggio. Se è stata impostata la funzione Delay Timer, indicheranno il tempo mancante all'avvio del programma (vedi pag. 53).

Manopola **CENTRIFUGA** per impostare la centrifuga o escluderla (vedi pag. 55).

Tasti **FUNZIONE** per selezionare le funzioni disponibili. Il tasto relativo alla funzione selezionata rimarrà acceso.

Manopola **TEMPERATURA** per impostare la temperatura o il lavaggio a freddo (vedi pag. 55).

Tasto **ACCENSIONE/SPEGNIMENTO** per accendere e spegnere la lavabiancheria.

Tasto **START/RESET** per avviare i programmi o annullare quanto erroneamente impostato.

Spia **ACCENSIONE/COPERCHIO BLOCCATO** per capire se la lavabiancheria è accesa (lampeggiante) e se il coperchio è apribile (fissa) (vedi pag. 53).

Manopola **PROGRAMMI** per impostare i programmi (vedi pag. 54). Durante il programma la manopola resta ferma.

### ☞ Spia **ACCENSIONE/SPORTELLO BLOCCATO**:

La spia accesa indica che lo sportello è bloccato per impedire aperture accidentali; per evitare danni è necessario attendere che la spia lampeggi prima di aprirlo.

! Il lampeggio veloce della spia **ACCENSIONE/SPORTELLO BLOCCATO** contemporaneo a quello di almeno un'altra spia segnala un'anomalia (vedi pag. 59).

## Come aprire e chiudere il cestello

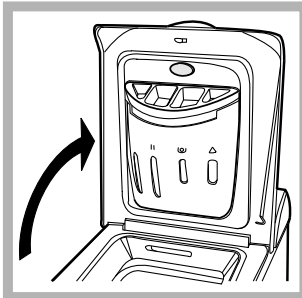


Fig. 1

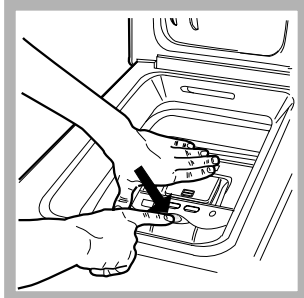


Fig. 2

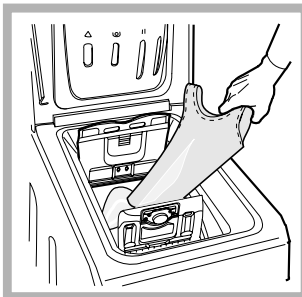


Fig. 3

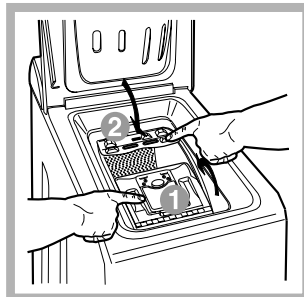


Fig. 4

### A) Apertura coperchio superiore (Fig. 1):

Sollevare il coperchio esterno ed aprirlo completamente.

### B) Apertura cestello, usando ambedue le mani come indicato (Fig. 2) :

- premere il pulsante indicato dalla freccia nella fig. 2 ed esercitando una lieve pressione verso il basso, tenere appoggiata una mano, ad evitare che gli sportelli aprendosi repentinamente facciano male alle dita;
- accompagnare quindi gli sportelli che si sganceranno ed apriranno facilmente.

### C) Introduzione biancheria (Fig. 3).

### D) Chiusura (Fig. 4).

- richiudere bene il cestello abbassando prima lo sportello anteriore ed appoggiandovi quindi quello posteriore;
- assicurarsi quindi che i ganci dello sportello anteriore siano perfettamente alloggiati nella sede dello sportello posteriore;
- dopo aver sentito il “clac” dell’venuto aggancio, esercitare una lieve pressione verso il basso su entrambi gli sportelli che non devono sganciarsi;
- chiudere infine il coperchio esterno.

## Spie

Le spie forniscono informazioni importanti. Ecco che cosa dicono:

### Fase in corso:

Durante il ciclo di lavaggio le spie si accenderanno progressivamente per indicarne lo stato di avanzamento:

	Prelavaggio
	Lavaggio
	Risciacquo
	Centrifuga

Nota: durante la fase di scarico si illuminerà la spia relativa alla fase Centrifuga.


### Tasti funzione


Selezionando una funzione il relativo tasto si illuminerà. Se la funzione selezionata non è compatibile con il programma impostato il tasto lampeggerà e la funzione non verrà attivata.

Nel caso venga impostata una funzione incompatibile con un'altra precedentemente selezionata rimarrà attiva solo l'ultima scelta.






# Avvio e Programmi

## In breve: avviare un programma

1. Accendere la lavabiancheria premendo il tasto . Tutte le spie si accenderanno per qualche secondo, poi si spengono e la spia ACCENSIONE/SPORTELLO BLOCCATO inizierà a lampeggiare.
2. Caricare la biancheria, versare detersivo e additivi (vedi pag. 56) e chiudere gli sportelli e coperchio.
3. Impostare con la manopola PROGRAMMI il programma desiderato.

4. Impostare la temperatura di lavaggio (vedi pag. 55).
5. Impostare la velocità di centrifuga (vedi pag. 55).
6. Avviare il programma premendo il tasto START/RESET.  
Per annullare il ciclo impostato premere il tasto START/RESET per 2 secondi.
7. Al termine del programma la spia ACCENSIONE/SPORTELLO BLOCCATO lampeggerà indicando che lo sportello è apribile. Estrarre la biancheria e lasciare lo sportello socchiuso per far asciugare il cestello.  
Spegnere la lavabiancheria premendo il tasto .

## Tabella dei programmi

Natura dei tessuti e dello sporco	Programmi	Temperatura	Detersivo		Ammorbidente	Durata del ciclo (minuti)	Descrizione del ciclo di lavaggio
			prelav.	lavag.			
<b>Cotone</b>							
Bianchi estremamente sporchi (lenzuola, tovaglie, ecc.)	1	90°C	•	•	•	155	Prelavaggio, lavaggio, risciacqui, centrifughe intermedie e finale
Bianchi estremamente sporchi (lenzuola, tovaglie, ecc.)	2	90°C		•	•	147	Lavaggio, risciacqui, centrifughe intermedie e finale
Bianchi e colorati resistenti molto sporchi	3	60°C		•	•	157	Lavaggio, risciacqui, centrifughe intermedie e finale
Bianchi poco sporchi e colori delicati (camice, maglie, ecc.)	4	40°C		•	•	96	Lavaggio, risciacqui, centrifughe intermedie e finale
Colorati delicati poco sporchi	5	30°C		•	•	88	Lavaggio, risciacqui, centrifughe intermedie e finale
<b>Sintetici</b>							
Colori resistenti molto sporchi (biancheria per neonati, ecc.)	6	60°C		•	•	97	Lavaggio, risciacqui, antipiega o centrifuga delicata
Colori resistenti molto sporchi (biancheria per neonati, ecc.)	7	50°C		•	•	93	Lavaggio, risciacqui, antipiega o centrifuga delicata
Colori delicati (biancheria di tutti i tipi leggermente sporca)	8	40°C		•	•	83	Lavaggio, risciacqui, antipiega o centrifuga delicata
Colori delicati (biancheria di tutti i tipi leggermente sporca)	9	30°C		•	•	33	Lavaggio, risciacqui, e centrifuga delicata
<b>Delicati</b>							
Lana	10	40°C		•	•	48	Lavaggio, risciacqui e centrifuga delicata
Tessuti molto delicati (tende, seta, viscosa, ecc.)	11	30°C		•	•	55	Lavaggio, risciacqui, antipiega o scarico
<b>PROGRAMMI PARZIALI</b>							
Risciacquo					•		Risciacqui e centrifuga
Risciacquo delicato					•		Risciacqui, antipiega o scarico
Centrifuga							Scarico e centrifuga energica
Centrifuga delicata							Scarico e centrifuga delicata
Scarico							Scarico

### Note

Per la descrizione dell'antipiega: vedi Stira meno, pagina a fianco. I dati riportati nella tabella hanno valore indicativo.

### Programma speciale

**Giornaliero 30'** (programma 9 per Sintetici) è studiato per lavare capi leggermente sporchi in poco tempo: dura solo 30 minuti e fa così risparmiare energia e tempo. Impostando il programma (9 a 30°C) è possibile lavare insieme tessuti di diversa natura (esclusi lana e seta) con un carico massimo di 3 kg. *Si consiglia l'uso di detersivo liquido.*

## **Impostare la temperatura**

Ruotando la manopola TEMPERATURA si imposta la temperatura di lavaggio (vedi Tabella dei programmi a pag. 54). La temperatura si può ridurre sino al lavaggio a freddo ( ).

## **Impostare la centrifuga**

Ruotando la manopola CENTRIFUGA si imposta la velocità di centrifuga del programma selezionato. Le velocità massime previste per i programmi sono:

Programmi	Velocità massima
Cotone	800 giri al minuto
Sintetici	800 giri al minuto
Lana	600 giri al minuto
Seta	no

La velocità di centrifuga può essere ridotta, oppure esclusa selezionando il simbolo .

La macchina impedirà automaticamente di effettuare una centrifuga maggiore a quella massima prevista per ogni programma.

**!** Per evitare vibrazioni eccessive prima di ogni centrifuga la macchina distribuisce il carico in modo uniforme, questo avviene effettuando delle rotazioni continue del cesto ad una velocità leggermente superiore a quella di lavaggio. Quando nonostante ripetuti tentativi il carico non viene perfettamente distribuito, la macchina effettua la centrifuga ad una velocità inferiore a quella prevista.

In presenza di eccessivo sbilanciamento la macchina effettua la distribuzione al posto della centrifuga.

Gli eventuali tentativi di bilanciamento possono allungare la durata totale del ciclo fino ad un massimo di 10 minuti.

## **Funzioni**

Le varie funzioni di lavaggio previste dalla lavabiancheria permettono di ottenere la pulizia e il bianco desiderati. Per attivare le funzioni:

1. premere il tasto relativo alla funzione desiderata, secondo la tabella sottostante;
2. l'accensione del tasto relativo segnala che la funzione è attiva.

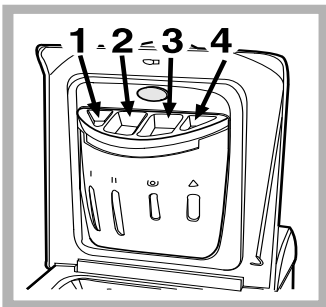
Nota: Il lampeggio veloce del tasto indica che la funzione relativa non è selezionabile per il programma impostato.

Funzioni	Effetto	Note per l'uso	Attiva con i programmi:
<b>Super wash</b> 	Consente un pulito impeccabile, visibilmente più bianco dello standard in Classe A.	Non è compatibile con la funzione RAPIDO	1, 2, 3, 4, 5, 6, 7, 8.
<b>Stira meno</b> 	Riduce le pieghe sui tessuti, agevolando la stiratura.	La funzione è attivabile nei programmi 3, 4, 5, 6, 7, 8 e 11. Nei programmi 6, 7, 8 e 11 il risciacquo si interromperà con il bucato in ammollo (Antipiega) e la spia della fase Risciacquo  lampeggerà: - per completare il ciclo premere il tasto START/RESET; - per effettuare solo lo scarico posizionare la manopola sul simbolo relativo  e premere il tasto START/RESET.	Tutti tranne 1, 2, 9, 10 e Scarico.
<b>Rapido</b> 	Riduce del 30% circa la durata del ciclo di lavaggio.	Non è compatibile con la funzione SUPER WASH.	1, 2, 3, 4, 5, 6, 7, 8. Risciacqui
<b>Extra-risciacquo</b> 	Aumenta l'efficacia del risciacquo	E' consigliata con lavabiancheria a pieno carico o con dosi elevate di detersivo	1, 2, 3, 4, 5, 8, 9, 10, 12, 13 Risciacquo

# Detersivi e biancheria

## Cassetto dei detersivi

Il buon risultato del lavaggio dipende anche dal corretto dosaggio del detersivo: eccedendo non si lava in modo più efficace e si contribuisce a incrostare le parti interne della lavabiancheria e a inquinare l'ambiente.



Alzare il coperchio al di sotto del quale è collocato il cassetto dei detersivi e inserire il detersivo o l'additivo come segue.

### vaschetta 1: Detersivo per prelavaggio (in polvere)

### vaschetta 2: Detersivo per lavaggio (in polvere o liquido)

E' opportuno immettere direttamente il detersivo liquido in vasca a mezzo dell'apposita pallina.

### vaschetta 3: Additivi (ammorbidente, ecc.)


Quando si versa l'ammorbidente nel comparto 3, far attenzione a non superare il livello "max" indicato. L'ammorbidente viene automaticamente immesso in macchina durante l'ultimo risciacquo. Al termine del programma di lavaggio nello scomparto 3 rimane un residuo d'acqua. Questa serve per l'immissione di ammorbidenti molto densi, ovvero per diluire quelli concentrati. Se nel comparto 3 rimanesse più acqua del normale, ciò significa che il dispositivo di svuotamento è intasato. Per la pulizia vedi pag. 58.

### vaschetta 4: Candeggina

! Non usare detersivi per il lavaggio a mano, perché formano troppa schiuma.

## Ciclo candeggina

La candeggina **tradizionale** si usa per i tessuti resistenti bianchi, quella **delicata** per i tessuti colorati, i sintetici e per la lana.

Nel dosare la candeggina non superare il livello "max" indicato sulla vaschetta 4 (vedi figura). Per effettuare solo il candeggina versare la candeggina nella vaschetta 4 e impostare la funzione Extra Risciacquo .

## Preparare la biancheria

- Suddividere la biancheria secondo:
  - il tipo di tessuto / il simbolo sull'etichetta.
  - i colori: separare i capi colorati da quelli bianchi.
- Vuotare le tasche e controllare i bottoni.
- Non superare i valori indicati, riferiti al peso della biancheria asciutta:

Tessuti resistenti: max 5 kg  
Tessuti sintetici: max 2,5 kg  
Tessuti delicati: max 2 kg  
Lana: max 1 kg

### Quanto pesa la biancheria?

1 lenzuolo 400-500 gr.  
1 federa 150-200 gr.  
1 tovaglia 400-500 gr.  
1 accappatoio 900-1.200 gr.  
1 asciugamano 150-250 gr.

## Capi particolari

**Tende:** piegarle e sistemarle dentro una federa o un sacchetto a rete. Lavarle da sole senza superare il mezzo carico. Utilizzare il programma 11 che esclude in automatico la centrifuga.

**Piumini e giacche a vento:** se l'imbottitura è d'oca o d'anatra si possono lavare nella lavabiancheria. Rivoltare i capi e fare un carico massimo di 2-3 kg, ripetendo il risciacquo una o due volte e utilizzando la centrifuga delicata.


**Scarpe da tennis:** pulirle dal fango. Si possono lavare con i jeans e i capi resistenti, ma non con i capi bianchi.

**Lana:** per ottenere i migliori risultati utilizzare un detersivo specifico e non superare 1 kg di carico.

## Woolmark Platinum Care

### Delicato come il lavaggio a mano.



Hotpoint Ariston ha introdotto un nuovo standard di prestazioni superiori riconosciuto da The Woolmark Company con il prestigioso marchio Woolmark Platinum Care. Se sulla lavabiancheria c'è il logo Woolmark Platinum Care, si possono lavare con risultati eccellenti i capi in lana recanti l'etichetta "Lavare a mano" (M. 0303): impostare il programma 10 per tutti i capi con l'indicazione "Lavare a mano" , facendo uso di detersivi specifici (carico max 1 kg).



! La lavabiancheria è stata progettata e costruita in conformità alle norme internazionali di sicurezza. Queste avvertenze sono fornite per ragioni di sicurezza e devono essere lette attentamente.

## Sicurezza generale

- La lavabiancheria deve essere usata solo da persone adulte e secondo le istruzioni riportate in questo libretto.
- Non toccare la macchina a piedi nudi o con le mani o i piedi bagnati o umidi.
- Non staccare la spina dalla presa della corrente tirando il cavo, bensì afferrando la spina.
- Non aprire il cassetto dei detersivi mentre la macchina è in funzione.
- Non toccare l'acqua di scarico, che può raggiungere temperature elevate.
- Non forzare in nessun caso l'oblò: potrebbe danneggiarsi il meccanismo di sicurezza che protegge da aperture accidentali.
- In caso di guasto, in nessun caso accedere ai meccanismi interni per tentare una riparazione.
- Controllare sempre che i bambini non si avvicinino alla macchina in funzione.
- Durante il lavaggio l'oblò tende a scaldarsi.
- Se dev'essere spostata, lavorare in due o tre persone con la massima attenzione. Mai da soli perché la macchina è molto pesante.
- Prima di introdurre la biancheria controlla che il cestello sia vuoto.

## Smaltimento

- Smaltimento del materiale di imballaggio: attenersi alle norme locali, così gli imballaggi potranno essere riutilizzati.
- La Direttiva Europea 2002/96/CE sui rifiuti di apparecchiature elettriche ed elettroniche, prevede che gli elettrodomestici non debbano essere smaltiti nel normale flusso dei rifiuti solidi urbani. Gli apparecchi dismessi devono essere raccolti separatamente per ottimizzare il tasso di recupero e riciclaggio dei materiali che li compongono ed impedire potenziali danni per la salute e l'ambiente.

Il simbolo del cestino barrato è riportato su tutti i prodotti per ricordare gli obblighi di raccolta separata.

Si potranno consegnare gli elettrodomestici dismessi al servizio di raccolta pubblico, portarli presso le apposite aree comunali o, se previsto dalla legge nazionale in materia, renderli ai rivenditori contestualmente all'acquisto di nuovi prodotti di tipo equivalente.

Tutti i principali produttori di elettrodomestici sono attivi nella creazione e gestione di sistemi di raccolta e smaltimento degli apparecchi dismessi.

## Risparmiare e rispettare l'ambiente

### Tecnologia a servizio dell'ambiente

Se nell'oblò si vede poca acqua è perché con la nuova tecnologia Ariston basta meno della metà dell'acqua per raggiungere il massimo pulito: uno scopo raggiunto per rispettare l'ambiente.

### Risparmiare detersivo, acqua, energia e tempo

- Per non sprecare risorse bisogna utilizzare la lavabiancheria con il massimo carico. Un carico pieno al posto di due mezzi fa risparmiare fino al 50% di energia.
- Il prelavaggio è necessario solo per biancheria molto sporca. Evitarlo fa risparmiare detersivo, tempo, acqua e tra il 5 e il 15% di energia.
- Trattando le macchie con uno scioglimacchia o lasciandole in ammollo prima del lavaggio, si riduce la necessità di lavare ad alte temperature. Un programma a 60°C invece di 90°C o uno a 40°C invece di 60°C, fa risparmiare fino al 50% di energia.
- Dosare bene il detersivo in base alla durezza dell'acqua, al grado di sporco e alla quantità di biancheria evita sprechi e protegge l'ambiente: pur biodegradabili, i detersivi contengono elementi che alterano l'equilibrio della natura. Inoltre evitare il più possibile l'ammorbidente.
- Effettuando i lavaggi dal tardo pomeriggio fino alle prime ore del mattino si collabora a ridurre il carico di assorbimento delle aziende elettriche.
- Se il bucato deve essere asciugato in un asciugatore, selezionare un'alta velocità di centrifuga. Poca acqua nel bucato fa risparmiare tempo ed energia nel programma di asciugatura.

# Manutenzione e cura

## Escludere acqua e corrente elettrica

- Chiudere il rubinetto dell'acqua dopo ogni lavaggio. Si limita così l'usura dell'impianto idraulico della lavabiancheria e si elimina il pericolo di perdite.
- Staccare la spina della corrente quando si pulisce la lavabiancheria e durante i lavori di manutenzione.

## Pulire la lavabiancheria

- La parte esterna e le parti in gomma possono essere puliti con un panno imbevuto di acqua tiepida e sapone. Non usare solventi o abrasivi.

## Curare Coperchio e cestello

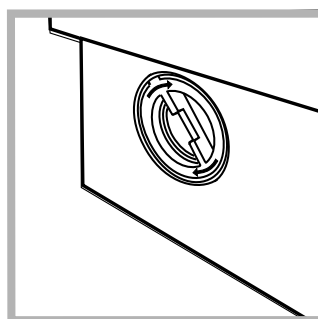
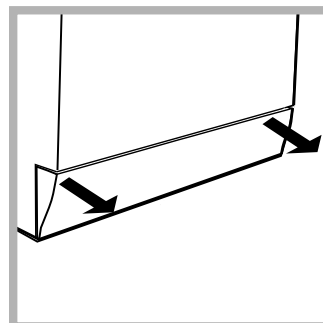
- Lasciare sempre socchiuso il coperchio per evitare che si formino cattivi odori.

## Pulire la pompa

La lavabiancheria è dotata di una pompa autopulente che non ha bisogno di manutenzione. Può però succedere che piccoli oggetti (monete, bottoni) cadano nella precamera che protegge la pompa, situata nella parte inferiore di essa.

- ! Assicurarsi che il ciclo di lavaggio sia terminato e staccare la spina.

Per recuperare eventuali oggetti caduti nella precamera:



1. rimuovere il pannello di copertura sul lato anteriore della lavabiancheria tirando con le mani dai lati dello zoccolo (vedi figura);
2. svitare il coperchio ruotandolo in senso antiorario (vedi figura); è normale che fuoriesca un pò d'acqua;
3. pulire accuratamente l'interno;
4. riavvitare il coperchio;
5. rimontare il pannello assicurandosi, prima di spingerlo verso la macchina, di aver inserito i ganci nelle apposite asole.

## Controllare il tubo di alimentazione dell'acqua

- ! Non utilizzare mai tubi già usati.

Controllare il tubo di alimentazione almeno una volta all'anno. Se presenta screpolature e fessure va sostituito: durante i lavaggi le forti pressioni potrebbero provocare improvvise spaccature.

## Come pulire la vaschetta del detersivo

### Smontaggio:

Esercitare una leggera pressione sul pulsante sulla parte anteriore del cassetto detersivo e tirarlo verso l'alto (fig. 1).

### Pulizia:

Pulire quindi il cassetto sotto il rubinetto (fig.3) utilizzando anche un semplice spazzolino da denti e, sfilata la coppia di sifoncini inseriti nella parte superiore degli scomparti 1 e 2 (fig. 4), controllare che gli stessi non siano ostruiti e risciacquarli.

### Rimontaggio:

Non dimenticare di reinserire la coppia di sifoncini negli appositi alloggiamenti e rimettere infine il cassetto nella sua sede agganciandolo (fig.4,2, 1).



Fig. 1

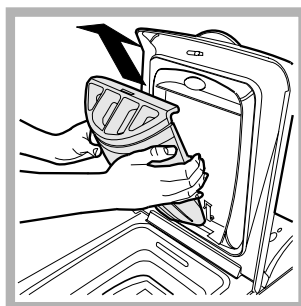


Fig. 2

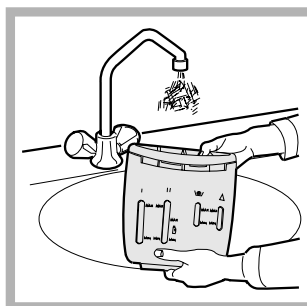


Fig. 3

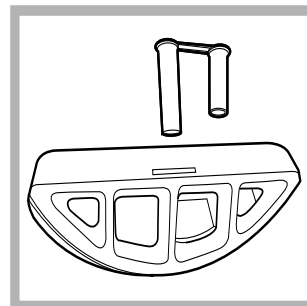


Fig. 4

Può accadere che la lavabiancheria non funzioni. Prima di telefonare all'Assistenza (*vedi pag. 60*), controllare che non si tratti di un problema facilmente risolvibile aiutandosi con il seguente elenco.


## **Anomalie:**

### **La lavabiancheria non si accende.**

## **Possibili cause / Soluzione:**

- La spina non è inserita nella presa della corrente, o non abbastanza da fare contatto.
- In casa non c'è corrente.

### **Il ciclo di lavaggio non inizia.**

- Lo sportello non è ben chiuso (la spia Porta Bloccata lampeggia).
- Il tasto  non è stato premuto.
- Il tasto START/RESET non è stato premuto.
- Il rubinetto dell'acqua non è aperto.

### **La lavabiancheria non carica acqua.**

- Il tubo di alimentazione dell'acqua non è collegato al rubinetto.
- Il tubo è piegato.
- Il rubinetto dell'acqua non è aperto.
- In casa manca l'acqua.
- Non c'è sufficiente pressione.
- Il tasto START/RESET non è stato premuto.

### **La lavabiancheria carica e scarica acqua di continuo.**

- Il tubo di scarico non è installato fra 65 e 100 cm da terra (*vedi pag. 51*).
- L'estremità del tubo di scarico è immersa nell'acqua (*vedi pag. 51*).
- Lo scarico a muro non ha lo sfiato d'aria.

Se dopo queste verifiche il problema non si risolve, chiudere il rubinetto dell'acqua, spegnere la lavabiancheria e chiamare l'Assistenza. Se l'abitazione si trova agli ultimi piani di un edificio, è possibile che si verifichino fenomeni di sifonaggio, per cui la lavabiancheria carica e scarica acqua di continuo. Per eliminare l'inconveniente sono disponibili in commercio apposite valvole anti-sifonaggio.

### **La lavabiancheria non scarica o non centrifuga.**

- Il programma non prevede lo scarico: con alcuni programmi occorre avviarlo manualmente (*vedi pag. 54*).
- È attiva la funzione Stira meno: per completare il programma premere il tasto START/RESET (*vedi pag. 55*).
- Il tubo di scarico è piegato (*vedi pag. 51*).
- La condotta di scarico è ostruita.

### **La lavabiancheria vibra molto durante la centrifuga.**

- Le viti di bloccaggio del gruppo oscillante non sono state rimosse al momento dell'installazione. Rimuovere le viti (*vedi pag. 50*).
- La lavabiancheria non è in piano (*vedi pag. 50*).
- La lavabiancheria è stretta tra mobili e muro (*vedi pag. 50*).

### **La lavabiancheria perde acqua.**

- Il tubo di alimentazione dell'acqua non è ben avvitato (*vedi pag. 50*).
- Il cassetto dei detersivi è intasato (per pulirlo *vedi pag. 58*).
- Il tubo di scarico non è fissato bene (*vedi pag. 51*).

### **La spia ACCENSIONE/SPORTELLO BLOCCATO lampeggia in modo veloce contemporaneamente ad almeno un'altra spia.**

- Stà segnalando un'anomalia. Spegnere la lavatrice ed estrarre la spina dalla presa elettrica; attendere per circa 1 minuto e quindi riallacciare il collegamento elettrico e riaccendere la macchina. Se dopo questa operazione persiste il difetto, chiamare l'Assistenza.

### **Si forma troppa schiuma.**

- Il detersivo non è specifico per lavabiancheria (deve esserci la dicitura "per lavatrice", "a mano e in lavatrice", o simili).
- Il dosaggio è stato eccessivo.

## **Prima di contattare l'Assistenza:**

- Verificare se l'anomalia può essere risolta da soli (*vedi pag. 59*);
- Riavviare il programma per controllare se l'inconveniente è stato avviato;
- In caso negativo, contattare l' Assistenza Tecnica;

! In caso di errata installazione o uso non corretto potrete essere chiamati al pagamento dell'intervento.

! Non ricorrere mai a tecnici non autorizzati.

## **Comunicare:**

- il tipo di anomalia;
- il modello della macchina (Mod.);
- il numero di serie (S/N);

Queste informazioni si trovano sulla targhetta applicata nella parte posteriore della lavabiancheria.

GR

ΕΛΛΗΝΙΚΑ

AVTL 83

 **Hotpoint**  
ARISTON

GR

## Περιεχόμενα

### Εγκατάσταση, 62-63

Αποσυσκευασία και οριζοντίωση, 62  
Υδραυλικές και ηλεκτρικές συνδέσεις, 62-63  
Πρώτος κύκλος πλυσίματος, 63  
Τεχνικά στοιχεία, 63

### Περιγραφή του πλυντηρίου, 64-65

Ταμπλό ελέγχου, 64  
Πως ανοίγει και κλείνει ο κάδος, 65  
Ενδεικτικές λυχνίες λειτουργίας, 65

### Εκκίνηση και Προγράμματα, 66

Εν συντομία: εκκίνηση ενός προγράμματος, 66  
Πίνακας των προγραμμάτων, 66

### Προσωπικές Ρυθμίσεις, 67

Επιλέξτε τη θερμοκρασία, 67  
Επιλέξτε την ταχύτητα στύψιματος, 67  
Λειτουργίες, 67

### Απορρυπαντικά και ρούχα, 68

Θήκη απορρυπαντικών, 68  
Κύκλος λεύκανσης, 68  
Προετοιμασία της πλύσης, 68  
Ειδικά ρούχα, 68  
Woolmark Platinum Care, 68

### Προφυλάξεις και συμβουλές, 69

Γενική ασφάλεια, 69  
Διάθεση, 69  
Εξοικονόμηση ενέργειας και σεβασμός του περιβάλλοντος, 69

### Συντήρηση και φροντίδα, 70

Κλείσιμο παροχών νερού και ηλεκτρικού ρεύματος, 70  
Καθαρισμός του πλυντηρίου, 70  
Καθαρισμός του συρταριού απορρυπαντικών, 70  
Φροντίδα της πόρτας και του κάδου, 70  
Πως καθαρίζεται η θήκη απορρυπαντικού, 70  
Έλεγχος του σωλήνα τροφοδοσίας του νερού, 70

### Προβλήματα και λύσεις, 71

### Τεχνική Υποστήριξη, 72

Πριν καλέσετε την τεχνική υποστήριξη, 72

# Εγκατάσταση

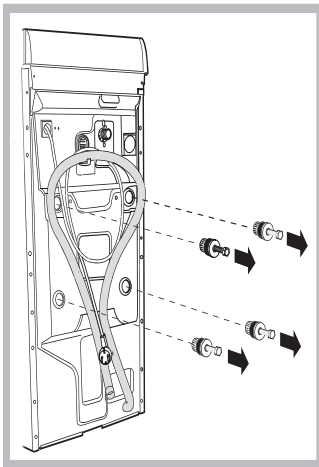
GR

**!** Είναι σημαντικό να φυλάξετε το εγχειρίδιο αυτό για να μπορείτε να το συμβουλευέστε οποιαδήποτε στιγμή. Σε περίπτωση πώλησης, παραχώρησης ή μετακόμισης, βεβαιωθείτε ότι παραμένει μαζί με το πλυντήριο για να πληροφορεί τον νέο ιδιοκτήτη για τη λειτουργία και τις σχετικές προειδοποιήσεις.

**!** Διαβάστε προσεκτικά τις οδηγίες: υπάρχουν σημαντικές πληροφορίες για την εγκατάσταση, τη χρήση και την ασφάλεια.

## Αποσυσκευασία και οριζοντίωση

### Αποσυσκευασία



1. Αποσυσκευάστε το πλυντήριο.
2. Ελέγξτε αν το πλυντήριο έχει υποστεί ζημιές κατά τη μεταφορά. Αν έχει υποστεί ζημιές μην το συνδέετε και επικοινωνήστε με τον μεταπωλητή.
3. Αφαιρέστε τις τέσσερις βίδες μεταφοράς και το λαστιχάκι με το σχετικό διαχωριστικό, που βρίσκονται στο πίσω

μέρος (βλέπε εικόνα).

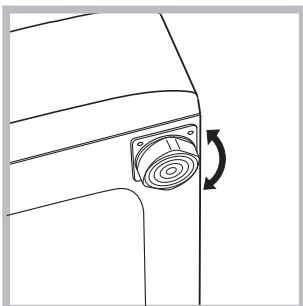
4. Κλείστε τις οπές με τα πλαστικά πώματα που σας παρέχονται.

5. Διατηρήστε και τα τρία τεμάχια: αν το πλυντήριο χρειαστεί να μεταφερθεί, θα πρέπει να ζαναμονταριστούν.

**Προσοχή:** σε περίπτωση επαναχρησιμοποίησης οι πιο κοντές βίδες πρέπει να μονταριστούν επάνω.

**!** Οι συσκευασίες δεν είναι παιχνίδια για μικρά παιδιά.

### Οριζοντίωση



1. Εγκαταστήστε το πλυντήριο σε ένα δάπεδο επίπεδο και ανθεκτικό, χωρίς να το ακουμπήσετε σε τοίχους, έπιπλα ή άλλο.

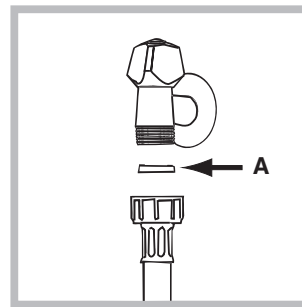
2. Αν το δάπεδο δεν είναι απόλυτα επίπεδο, οριζοντιώστε την συσκευή βιδώνοντας ή

ξεβιδώνοντας τις ειδικές βάσεις στο μπροστινό τμήμα της συσκευής (βλέπε εικόνα). Η γωνία κλίσης, μετρημένη στην επιφάνεια εργασίας, δεν πρέπει να ξεπερνάει τις 2°.

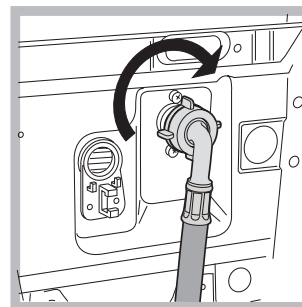
Η σωστή οριζοντίωση προσδίδει σταθερότητα στο μηχάνημα και αποσοβεί δονήσεις, θορύβους και μετατοπίσεις κατά τη λειτουργία. Αν το πλυντήριο τοποθετηθεί πάνω σε μοκέτα ή τάπητα, ρυθμίστε τα ποδαράκια έτσι ώστε να υπάρχει κάτω από το πλυντήριο αρκετός χώρος για τον αερισμό.

## Υδραυλικές και ηλεκτρικές συνδέσεις

### Σύνδεση του σωλήνα τροφοδοσίας νερού



1. Εισάγετε την τσιμουχά A στο άκρο του σωλήνα τροφοδοσίας και βιδώστε τη μια βρύση κρύου νερού με στόμιο σπειρώματος 3/4 gas (βλέπε εικόνα). Πριν την σύνδεση αφήστε το νερό να τρέξει μέχρι αυτό να είναι διαυγές.



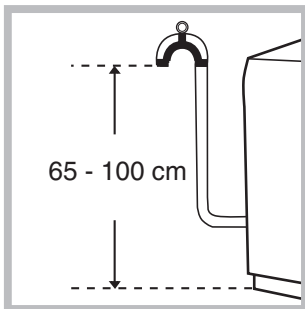
2. Συνδέστε το σωλήνα τροφοδοσίας στο πλυντήριο βιδώνοντας το στην αντίστοιχη είσοδο νερού, στο πίσω μέρος επάνω δεξιά (βλέπε εικόνα).

3. Βεβαιωθείτε ότι ο σωλήνας δεν είναι τσακισμένος σε κανένα σημείο του.

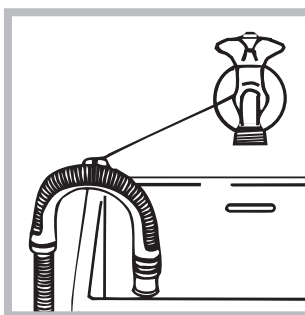
**!** Η πίεση του νερού πρέπει να κυμαίνεται μεταξύ των τιμών του πίνακα με τα τεχνικά στοιχεία (βλέπε επόμενη σελίδα).

**!** Αν το μήκος του σωλήνα τροφοδοσίας νερού δεν επαρκεί, θα πρέπει να απευθυνθείτε σε ειδικευμένο κατάστημα ή σε εξουσιοδοτημένο τεχνικό.

### Σύνδεση του σωλήνα αδειάσματος νερού



Συνδέστε τον σωλήνα αδειάσματος νερού χωρίς να τον τσακίσετε σε μια αποχέτευση ή σε μια επιτοίχια αποχέτευση σε ύψος από το έδαφος μεταξύ 65 και 100 cm.



Μπορείτε επίσης να στηρίξετε τον σωλήνα αδειάσματος νερού στο χείλος ενός νιπτήρα δένοντάς τον στην βρύση (βλέπε εικόνα). Το ελεύθερο άκρο του σωλήνα δεν θα πρέπει να βυθίζεται στο νερό.

! Δεν συνιστάται η χρήση προεκτάσεων σωλήνων. Αν απαιτείται, η προέκταση πρέπει να έχει την ίδια διάμετρο του αρχικού σωλήνα και να μην ξεπερνάει τα 150 cm.

### Ηλεκτρική σύνδεση

Πριν εισάγετε το βύσμα στην ηλεκτρική πρίζα, βεβαιωθείτε ότι:

- η πρίζα διαθέτει γείωση και συμμορφώνεται με τις ισχύουσες προδιαγραφές.
- η πρίζα είναι κατάλληλη για το μέγιστο φορτίο που αναγράφεται στον πίνακα τεχνικών στοιχείων (βλέπε πίνακα).
- Η τάση τροφοδοσίας να κυμαίνεται μεταξύ των τιμών που αναφέρονται στον πίνακα τεχνικών στοιχείων (βλέπε δίπλα).
- Η πρίζα να είναι συμβατή με το βύσμα του πλυντηρίου. Σε αντίθετη περίπτωση, αντικαταστήστε την πρίζα ή το βύσμα.

! Το πλυντήριο δεν πρέπει να εγκαθίσταται σε ανοικτούς χώρους, ακόμα και αν είναι στεγασμένοι γιατί είναι επικίνδυνο να μένει εκτεθειμένο σε βροχή και υγρασία.

! Η πρόσβαση στην πρίζα τροφοδοσίας του πλυντηρίου πρέπει να είναι εύκολη.

! Μη χρησιμοποιείτε προεκτάσεις και πολύπριζα.

! Μην τσακίζετε και μην τοποθετείτε βαριά αντικείμενα πάνω στο καλώδιο τροφοδοσίας.

! Το καλώδιο τροφοδοσίας πρέπει να αντικαθίσταται μόνο από εξουσιοδοτημένους τεχνικούς.

Προσοχή! Η επιχείρηση αποποιείται κάθε ευθύνης σε περίπτωση που οι κανόνες αυτοί δεν τηρούνται.

### Πρώτος κύκλος πλυσίματος

Μετά την εγκατάσταση, πριν τη χρήση, πραγματοποιήστε ένα κύκλο πλυσίματος με απορρυπαντικό και χωρίς ρούχα θέτοντας το πρόγραμμα σε 90°C χωρίς πρόπλυση.

### Τεχνικά στοιχεία

<b>Μοντέλο</b>	AVTL 83
<b>Διαστάσεις</b>	πλάτος cm 40 ύψος cm 85 βάθος cm 60
<b>Χωρητικότητα</b>	από 1 έως 5 kg
<b>Ηλεκτρικές συνδέσεις</b>	Βλέπε την πινακίδα χαρακτηριστικών επί της μηχανής.
<b>Συνδέσεις νερού</b>	μέγιστη πίεση 1 MPa (10 bar) Ελάχιστη πίεση 0,05 MPa (0,5 bar) χωρητικότητα του κάδου 42 λίτρα
<b>Ταχύτητα στυψίματος</b>	μέχρι 800 στροφές το λεπτό
<b>Προγράμματα ελέγχου σύμφωνα με τον κανονισμό EN 60456</b>	πρόγραμμα 3; θερμοκρασία 60°C; εκτελούμενο με 5 kg πουργάδας.

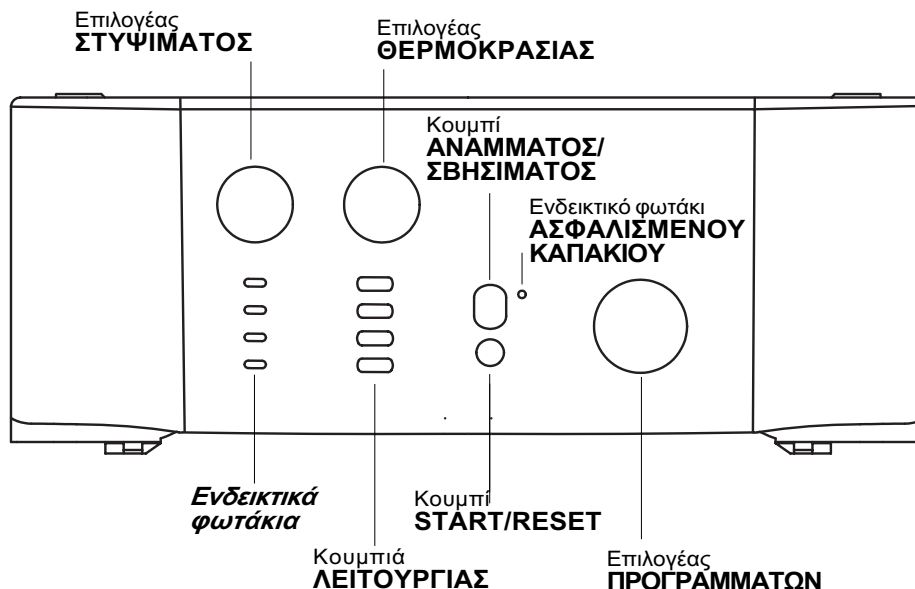


Η συσκευή αυτή είναι σύμφωνη με τις ακόλουθες Κινητικές Οδηγίες:  
- 89/336/CEE της 03/05/89 (Ηλεκτρομαγνητική Συμβατότητα) και μεταγενέστερες τροποποιήσεις  
- 2006/95/CE (Χαμηλή Τάση)  
- 2002/96/CE

# Περιγραφή του πλυντηρίου

GR

## Πίνακας χειρισμού



**Θήκη απορρυπαντικών** για προσθήκη απορρυπαντικών και πρόσθετων (βλέπε σελ. 68).

**Ενδεικτικά φωτάκια** για την παρακολούθηση της κατάστασης διεξαγωγής του προγράμματος πλύσης. Αν τέθηκε η λειτουργία Delay Timer, θα δείχνουν τον χρόνο που υπολείπεται για την έναρξη του προγράμματος (βλέπε σελ. 65).

Επιλογέας **ΣΤΥΨΙΜΑΤΟΣ** για την ενεργοποίηση ή τον αποκλεισμό του στυψίματος (βλέπε σελ. 67).

Κουμπιά **ΛΕΙΤΟΥΡΓΙΑΣ** για την επιλογή των διαθέσιμων λειτουργιών. Το σχετικό κουμπι με την επιλεγμένη λειτουργία θα παραμείνει αναμμένο.

Επιλογέας **ΘΕΡΜΟΚΡΑΣΙΑΣ** για τη ρύθμιση της θερμοκρασίας ή του πλυσίματος σε κρύο νερό (βλέπε σελ. 67).

Κουμπι **ΑΝΑΜΜΑΤΟΣ/ΣΒΗΣΙΜΑΤΟΣ** για άναμμα και σβήσιμο του πλυντηρίου.

Κουμπι **ΣΤΑΡΤ/ΡΕΣΕΤ** για την εκκίνηση των προγραμμάτων ή την ακύρωση των όσων τέθηκαν εσφαλμένα.

Ενδεικτικό φωτάκι **ΑΝΑΜΜΑΤΟΣ/ΑΣΦΑΛΙΣΜΕΝΟΥ ΚΑΠΑΚΙΟΥ** για να καταλάβετε αν το πλυντήριο είναι αναμμένο (αναβοσβήνει) και αν το καπάκι μπορεί να ανοίξει (σταθερό) (βλέπε σελ. 65).

Επιλογέας **ΠΡΟΓΡΑΜΜΑΤΩΝ** για τη ρύθμιση των προγραμμάτων (βλέπε σελ. 66). Κατά το πρόγραμμα ο επιλογέας παραμένει ακινητοποιημένος.

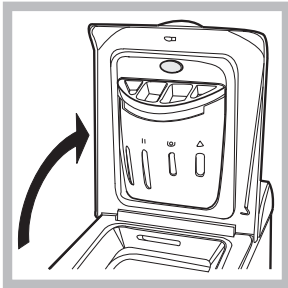
### ☞ Ενδεικτική λυχνία ΕΝΕΡΓΟΠΟΙΗΣΗ/ΠΟΡΤΑ ΑΣΦΑΛΙΣΜΕΝΗ:

Η αναμμένη ενδεικτική λυχνία δείχνει ότι η πόρτα είναι ασφαλισμένη για την αποφυγή τυχαιών ανοιγμάτων. Για την αποσόβηση βλαβών πρέπει να περιμένετε, πριν το ανοίξετε, το αναβοσβήσιμό του.

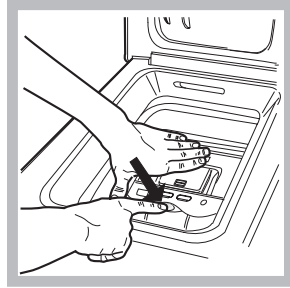
! Το γρήγορο αναβοσβήσιμο της ενδεικτικής λυχνίας ΕΝΕΡΓΟΠΟΙΗΣΗ/ΠΟΡΤΑ ΑΣΦΑΛΙΣΜΕΝΗ όταν γίνεται ταυτόχρονα με μια άλλη ενδεικτική λυχνία υποδεικνύει ύπαρξη ανωμαλίας (βλέπε σελ. 71).



## Πως ανοίγει και κλείνει ο κάδος



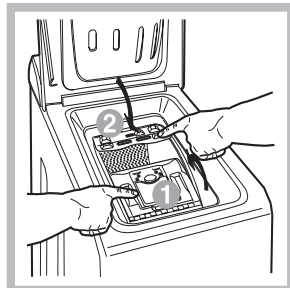
Εικ. 1



Εικ. 2



Εικ. 3



Εικ. 4

### A) ΑΝΟΙΓΜΑ. (Εικ. 1).

Ανασηκώστε το εξωτερικό καπάκι και ανοίξτε τελείως

### B) Ανοίξτε συνεπώς τον κάδο χρησιμοποιώντας και τα δύο χέρια όπως φαίνεται από την Εικ. 2):

- πιέστε το κουμπί που δείχνει το βέλος της Εικ. 2) και εξασκώντας μια ελαφρά πίεση προς τα κάτω, κρατήστε ακουμπισμένο το ένα χέρι, ώστε με το απότομο άνοιγμα της πόρτας να μην χτυπήσουν τα δάχτυλα
- συνοδέψτε κατόπιν τις πόρτες που απασφαλίζονται και ανοίγουν εύκολα.

### C) ΕΙΣΑΓΩΓΗ ΡΟΥΧΩΝ. (Εικ. 3)

### D) ΚΛΕΙΣΙΜΟ. (Εικ. 4)

- κλείστε καλά τον κάδο χαμηλώνοντας πρώτα την πρόσθια πόρτα και αποθέτοντας κατόπιν την πίσω
- βεβαιωθείτε κατόπιν ότι οι γάντζοι της πρόσθιας πόρτας είναι άψογα τοποθετημένοι στην έδρα της πίσω πόρτας
- αφού ακούσετε το “κλακ” του κουμπώματος, εξασκήστε μια ελαφρά πίεση προς τα κάτω σε αμφότερες τις πόρτες που δεν πρέπει να απασφαλιστούν
- τέλος, κλείστε το εξωτερικό καπάκι.

## Ενδεικτικές λυχνίες λειτουργίας



Οι ενδεικτικές λυχνίες παρέχουν σημαντικές πληροφορίες. Να τι μας λένε:

### Φάση σε εξέλιξη:

Κατά τον κύκλο πλυσίματος οι ενδεικτικές λυχνίες θα ανάψουν προοδευτικά για να δείξουν την πρόοδο της πλύσης:

  Πρόπλυση

  Πλύσιμο

  Ξέβγαλμα

  Στύψιμο

Σημείωση: κατά τη φάση αδειάσματος θα ανάψει η ενδεικτική λυχνία που σχετίζεται με τη φάση Στυψίματος.

### Πλήκτρα λειτουργίας

ΤΑ ΠΛΗΚΤΡΑ ΛΕΙΤΟΥΡΓΙΑΣ χρησιμεύουν επίσης και σαν ενδεικτικές λυχνίες.

Επιλέγοντας μια λειτουργία θα ανάψει το αντίστοιχο πλήκτρο.


Αν η επιλεγμένη λειτουργία δεν είναι συμβατή με το επιλεγμένο πρόγραμμα, το πλήκτρο θα αναβοσβήνει και η λειτουργία δεν θα ενεργοποιηθεί.


Στην περίπτωση που επιλεγεί μια λειτουργία μη συμβατή με μια άλλη που επιλέχθηκε προηγουμένως θα παραμείνει ενεργή μόνο η τελευταία επιλογή.

# Εκκίνηση και Προγράμματα

GR

## Εν συντομία: εκκίνηση ενός προγράμματος

1. Θέστε σε λειτουργία το πλυντήριο πιέζοντας το πλήκτρο . Όλες οι ενδεικτικές λυχνίες θα ανάψουν για μερικά δευτερόλεπτα, κατόπιν θα σβήσουν και η ενδεικτική λυχνία ΕΝΕΡΓΟΠΟΙΗΣΗ/ΠΟΡΤΑ ΑΣΦΑΛΙΣΜΕΝΗ θα αρχίσει να αναβοσβήνει.
2. Φορτώστε τη μπουγάδα, βάλτε απορρυπαντικό και πρόσθετα (βλέπε σελ. 68) και τέλος κλείστε τις θυρίδες και το καπάκι.
3. Με το πλήκτρο επιλογής ΠΡΟΓΡΑΜΜΑΤΩΝ επιλέξτε το επιθυμητό πρόγραμμα.

4. Επιλέξτε την θερμοκρασία πλυσίματος (βλέπε σελ. 67).
5. Επιλέξτε την ταχύτητα στυσίματος (βλέπε σελ. 67).
6. Εκκινήστε το πρόγραμμα πιέζοντας το κουμπί START/RESET.  
Για την ακύρωση κρατήστε πατημένο το κουμπί START/RESET για τουλάχιστον 2 δευτερόλεπτα.
7. Στο τέλος του προγράμματος η ενδεικτική λυχνία ΕΝΕΡΓΟΠΟΙΗΣΗ/ΠΟΡΤΑ ΑΣΦΑΛΙΣΜΕΝΗ αναβοσβήνει υποδεικνύοντας ότι η πόρτα μπορεί να ανοίξει. Βγάλε τα ρούχα και αφήστε την πόρτα μισόκλειστη για να στεγνώσει ο κάδος. Θέστε το πλυντήριο εκτός λειτουργίας πιέζοντας το πλήκτρο .

## Πίνακας των προγραμμάτων

Τύπος υφασμάτων και λεκέδων	Προγράμματα	Θερμοκρασία	Απορρυπαντικό		Μαλακτικό	Διάρκεια του κύκλου (λεπτά)	Περιγραφή του κύκλου πλυσίματος.
			πρόπλ.	Πλύσ.			
<b>Βαμβακερά</b>							
Λευκά εξαιρετικά λερωμένα (σεντόνια, τραπεζομάντιλα, κλπ.)	1	90°C	•	•	•	155	Πρόπλυση, πλύσιμο, ξεβγάλματα, ενδιάμεσα στυψίματα και τελικό
Λευκά εξαιρετικά λερωμένα (σεντόνια, τραπεζομάντιλα, κλπ.)	2	90°C		•	•	147	Πλύσιμο, ξεβγάλματα, ενδιάμεσα στυψίματα και τελικό
Λευκά και χρωματιστά ανθεκτικά, πολύ λερωμένα	3	60°C		•	•	157	Πλύσιμο, ξεβγάλματα, ενδιάμεσα στυψίματα και τελικό
Λευκά λίγο λερωμένα και ευαίσθητα χρώματα (πουκάμισα, μπλούζες, κλπ.)	4	40°C		•	•	96	Πλύσιμο, ξεβγάλματα, ενδιάμεσα στυψίματα και τελικό
Χρωματιστά ευαίσθητα λίγο λερωμένα	5	30°C		•	•	88	Πλύσιμο, ξεβγάλματα, ενδιάμεσα στυψίματα και τελικό
<b>Συνθετικά</b>							
Χρώματα ανθεκτικά, πολύ λερωμένα (ασπρόρουχα για νεογέννητα, κλπ.)	6	60°C		•	•	97	Πλύσιμο, ξεβγάλματα, ατσαλάκωτα ή απαλό στύψιμο
Χρώματα ανθεκτικά, πολύ λερωμένα (ασπρόρουχα για νεογέννητα, κλπ.)	7	50°C		•	•	93	Πλύσιμο, ξεβγάλματα, ατσαλάκωτα ή απαλό στύψιμο
Χρώματα ευαίσθητα (ασπρόρουχα όλων των τύπων ελαφρά λερωμένα)	8	40°C		•	•	83	Πλύσιμο, ξεβγάλματα, ατσαλάκωτα ή απαλό στύψιμο
Χρώματα ευαίσθητα (ασπρόρουχα όλων των τύπων ελαφρά λερωμένα)	9	30°C		•	•	33	Πλύσιμο, ξεβγάλματα, και απαλό στύψιμο
<b>Ευαίσθητα</b>							
Μάλλινα	10	40°C		•	•	48	Πλύσιμο, ξεβγάλματα και απαλό στύψιμο
Υφάσματα πολύ ευαίσθητα (κουρτίνες, μεταξωτά, βισκόζη, κλπ.)	11	30°C		•	•	55	Πλύσιμο, ξεβγάλματα, ατσαλάκωτα ή άδειασμα
<b>ΕΠΙ ΜΕΡΟΥΣ ΠΡΟΓΡΑΜΜΑΤΑ</b>							
Ξέβγαλμα					•		Ξεβγάλματα και στύψιμο
Ξέβγαλμα απαλό					•		Ξεβγάλματα, ατσαλάκωτα ή άδειασμα
Στύψιμο							Άδειασμα και ενεργητικό στύψιμο
Στύψιμο απαλό							Άδειασμα και απαλό στύψιμο
Άδειασμα							Άδειασμα

## Σημειώσεις

Για την περιγραφή του «ατσαλάκωτα»: βλέπε λιγότερο Σιδέρωμα, *σελίδα δίπλα*. Τα στοιχεία που αναφέρονται στον πίνακα είναι ενδεικτικά.

## Ειδικό πρόγραμμα

**Ημερήσιο 30'** (πρόγραμμα 9 για Συνθετικά) μελετήθηκε για το πλύσιμο ρούχων ελαφρά λερωμένων σε σύντομο χρόνο: διαρκεί μόνο 30 λεπτά και σας εξοικονομεί χρόνο και ενέργεια. Θέτοντας το πρόγραμμα (9 σε 30°C) μπορείτε να πλύνετε μαζί υφάσματα διαφορετικής φύσης (εκτός μάλλινων και μεταξωτών) με ένα μέγιστο φορτίο 3 kg. *Συνιστάται η χρήση υγρού απορρυπαντικού.*

## Επιλέξτε τη θερμοκρασία

Στρέφοντας το πλήκτρο επιλογής ΘΕΡΜΟΚΡΑΣΙΑΣ μπορείτε να επιλέξετε την θερμοκρασία πλύσης (βλέπε Πίνακα προγραμμάτων στη σελ. 66).

Η θερμοκρασία μπορεί να μειωθεί μέχρι το πλύσιμο σε κρύο νερό .

## Επιλέξτε την ταχύτητα στυψίματος

Στρέφοντας το πλήκτρο επιλογής ΣΤΥΨΙΜΟ μπορείτε να επιλέξετε την ταχύτητα στυψίματος του επιλεγμένου προγράμματος.

Οι μέγιστες προβλεπόμενες ταχύτητες για τα προγράμματα είναι:

Προγράμματα	Μέγιστη ταχύτητα
Βαμβακερά	800 στροφές ανά λεπτό
Συνθετικά	800 στροφές ανά λεπτό
Μάλλινα	600 στροφές ανά λεπτό
Μεταξωτά	όχι

Η ταχύτητα στυψίματος μπορεί να ελαττωθεί ή να αποκλειστεί επιλέγοντας το σύμβολο .

Το μηχάνημα θα παρεμποδίσει αυτόματα τη διενέργεια στυψίματος μεγαλύτερου του προβλεπόμενου επιτρεπτού για κάθε πρόγραμμα.

Για την αποφυγή υπερβολικών δονήσεων πριν από κάθε φυγοκέντρηση το πλυντήριο κατανέμει το φορτίο ομοιόμορφα, κι αυτό γίνεται κάνοντας συνεχείς περιστροφές του κάδου σε ταχύτητα ελαφρά μεγαλύτερη εκείνης του πλυσίματος.

Όταν παρά τις συνεχείς προσπάθειες το φορτίο δεν κατανέμεται απόλυτα ομοιόμορφα, η μηχανή κάνει το στύψιμο σε ταχύτητα μικρότερη της προβλεπόμενης.

Παρουσία υπερβολικής ανισοκατανομής η μηχανή διενεργεί την κατανομή στη θέση του στυψίματος.

Οι ενδεχόμενες προσπάθειες ισοστάθμισης μπορεί να επιμηκύνουν την ολική διάρκεια του κύκλου μέχρι ένα μέγιστο 10 λεπτών.

## Λειτουργίες

Οι διάφορες λειτουργίες πλυσίματος που προβλέπονται από το πλυντήριο επιτρέπουν την επίτευξη του καθαρισμού και του λευκού που επιθυμείτε. Για την ενεργοποίηση των λειτουργιών:

- πιέστε το πλήκτρο που αντιστοιχεί στην επιθυμητή λειτουργία, σύμφωνα με τον παρακάτω πίνακα;
- Το άναμμα του σχετικού πλήκτρου σηματοδοτεί ότι η λειτουργία είναι ενεργή.

Σημείωση: Το γρήγορο αναβοσβήσιμο του πλήκτρου δείχνει ότι η σχετική λειτουργία δεν μπορεί να επιλεγεί για το επιλεγμένο πρόγραμμα.

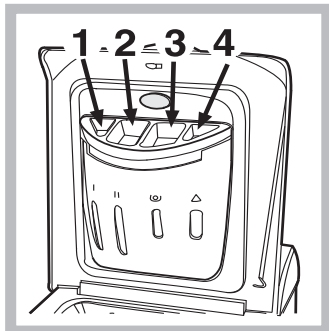
Λειτουργίες	Αποτέλεσμα	Παρατηρήσεις για τη χρήση	Ενεργή με τα προγράμματα:
Super Wash	Επιτρέπει τέλειο πλύσιμο, αισθητά πιο λευκό από το στάνταρ της Κατηγορίας A.	δεν είναι συμβατή η λειτουργία <b>Ταχύ</b>	1, 2, 3, 4, 5, 6, 7, 8
Λιγότερο σιδέρωμα	Μειώνει τις πτυχώσεις στα υφάσματα, διευκολύνοντας το σιδέρωμα.	Επιλέγοντας τη λειτουργία αυτή, τα προγράμματα 6, 7, 8, 11 και Ευαίσθητο Ξέπλυμα θα διακοπούν με τη μπουγάδα σε μούλιασμα (Ατσαλάκωτα) και η ενδεικτική λυχνία της φάσης Ξέπλυμα  θα αναβοσβήνει: - για την ολοκλήρωση του κύκλου πιέστε το κουμπί START/RESET; - για τη διενέργεια μόνο του αδειάσματος τοποθετήστε τον επιλογέα στο σχετικό σύμβολο  και πιέστε το κουμπί START/RESET.	Όλα πλην των 1, 2, 9, 10, Αδειασμα.
Ταχύ	Μειώνει κατά 30% περίπου τη διάρκεια του κύκλου πλυσίματος.	δεν είναι συμβατή η λειτουργία <b>Super Wash</b>	1, 2, 3, 4, 5, 6, 7, 8, Ξεβγάλματα.
Extra Ξέβγαλμα	Αυξάνει την αποτελεσματικότητα του Ξεβγάλματος.	Προτείνεται με το πλυντήριο τελείως γεμάτο ή με υψηλές δόσεις απορρυπαντικού.	1, 2, 3, 4, 5, 6, 7, 8, Ξεβγάλματα.

# Απορρυπαντικά και ρούχα

GR

## Θήκη απορρυπαντικών

Το καλό αποτέλεσμα του πλυσίματος εξαρτάται επίσης και από τη σωστή δοσολογία του απορρυπαντικού: υπερβάλλοντας δεν πλένουμε αποτελεσματικότερα και



επιπλέον συντελούμε στη δημιουργία κρούστας στα εσωτερικά μέρη του πλυντηρίου και στη μόλυνση του περιβάλλοντος.

Βγάλτε τη θήκη απορρυπαντικών και εισάγετε το απορρυπαντικό ή το πρόσθετο ως εξής.

**λεκανίτσα 1: Απορρυπαντικό για πρόπλυση (σε σκόνη)**

**λεκανίτσα 2: Απορρυπαντικό για πλύσιμο (σε σκόνη ή σε υγρό)**

το υγρό απορρυπαντικό είναι καλό να το εγχύετε απ' ευθείας στη λεκάνη μέσω της αντίστοιχης μπαλίστας δοσομέτρησης.

**λεκανίτσα 3: Πρόσθετα (μαλακτικό, κλπ.)**

Όταν χύνετε το μαλακτικό στο διαμέρισμα 3, προσέξτε να μην ξεπεράσει την υποδεικνυόμενη στάθμη "max".

Το μαλακτικό εισάγεται αυτόματα στη μηχανή κατά το τελευταίο ξέβγαλμα. Στο τέλος του προγράμματος πλύσης στο διαμέρισμα 3 παραμένει υπόλειμμα νερού. Αυτό χρησιμεύει για την εισχώρηση πολύ πυκνών μαλακτικών, δηλαδή για να αραιώσει τα συμπυκνωμένα. Αν στο διαμέρισμα 3 παραμείνει νερό περισσότερο από το κανονικό, αυτό σημαίνει ότι η διάταξη εκκένωσης είναι βουλωμένη. Για τον καθαρισμό βλέπε σελ. 70.


**λεκανίτσα 4: Χλωρίνη**

! Μη χρησιμοποιείτε απορρυπαντικά για το πλύσιμο στο χέρι, διότι παράγουν πολύ αφρό.

## Κύκλος λεύκανσης

Η **παραδοσιακή** χλωρίνη χρησιμοποιείται για τα λευκά ανθεκτικά υφάσματα, ενώ εκείνη η **απαλή** για τα χρωματιστά υφάσματα, τα συνθετικά και τα μάλλινα.

Όταν δοσομετρείτε τη χλωρίνη να μην ξεπερνάτε τη στάθμη "max" που εμφανίζεται στη λεκανίτσα 4 (βλέπε εικόνα).

Για τη διενέργεια μόνο της λεύκανσης χύστε τη χλωρίνη στη λεκανίτσα 4 και θέστε το Λειτουργίες Ξέβγαλμα .

## Προετοιμασία της πλύσης

- Χωρίστε τα ρούχα ανάλογα:
  - με το είδος του υφάσματος/ το σύμβολο της ετικέτας.
  - τα χρώματα: χωρίστε τα χρωματιστά ρούχα από τα λευκά.
- Αδειάστε τις τσέπες και ελέγξτε τα κουμπιά.
- Μην ξεπερνάτε τις υποδεικνυόμενες τιμές, σε σχέση με το βάρος των ρούχων που πρόκειται να πλυθούν:
  - Ανθεκτικά υφάσματα: max 5 kg
  - Συνθετικά υφάσματα: max 2,5 kg
  - Ευαίσθητα υφάσματα: max 2 kg
  - Μάλλινα: max 1 kg

## Πόσο ζυγίζουν τα ρούχα?

- 1 σεντόνι 400-500 gr.
- 1 μαξιλαροθήκη 150-200 gr.
- 1 τραπεζομάντιλο 400-500 gr.
- 1 μπουρνούζι 900-1.200 gr.
- 1 πετσέτα 150-250 gr.

## Ειδικά ρούχα

**Κουρτίνες:** διπλώστε τις μέσα σε ένα μαξιλάρι ή σε ένα δικτυωτό σακούλι. Πλύνετε τις μόνες χωρίς να ξεπεράσετε το μισό φορτίο. Χρησιμοποιήστε το πρόγραμμα 11 που αποκλείει αυτόματα το στύψιμο.

**Παπλώματα και μπουφάν:** αν το γέμισμα είναι χήνας ή πάπιας μπορούν να πλυθούν στο πλυντήριο. Γυρίστε τα ρούχα από την ανάποδη και επιλέξτε μέγιστο φορτίο 2-3 kg, επαναλαμβάνοντας το ξέβγαλμα μια ή δύο φορές και χρησιμοποιώντας το απαλό στύψιμο.

**Παπούτσια τένις:** καθαρίστε τα από τη λάσπη. Μπορούν να πλυθούν με τα τζιν και τα ανθεκτικά ρούχα, αλλά όχι με τα λευκά ρούχα.

**Μάλλινα:** για καλύτερα αποτελέσματα χρησιμοποιήστε ειδικό απορρυπαντικό και μην ξεπερνάτε το 1kg φορτίο.


## Woolmark Platinum Care

### Ντελικάτο όπως το πλύσιμο στο χέρι.



Η Hotpoint Ariston εισήγαγε ένα νέο στάνταρ ανώτερων επιδόσεων αναγνωρισμένο από την The Woolmark Company με το σήμα Woolmark

Platinum Care. Αν στο πλυντήριο υπάρχει το λογότυπο Woolmark Platinum Care, μπορούν να πλυθούν με εξαιρετικά αποτελέσματα τα μάλλινα ρούχα που φέρουν την ετικέτα "Πλύσιμο στο χέρι" (M.0303):

Θέστε το πρόγραμμα 10 για όλα τα ρούχα με "Πλύσιμο στο χέρι" , χρησιμοποιώντας ειδικά απορρυπαντικά (max 1 kg).

! Το πλυντήριο σχεδιάστηκε και κατασκευάστηκε σύμφωνα με τους διεθνείς κανόνες ασφαλείας. Αυτές οι προειδοποιήσεις παρέχονται για λόγους ασφαλείας και πρέπει να διαβάζονται προσεκτικά.

## Γενική ασφάλεια

- Η συσκευή αυτή σχεδιάστηκε για οικιακή χρήση, μη επαγγελματική και οι λειτουργίες της δεν πρέπει να αλλοιωθούν.
- Το πλυντήριο πρέπει να χρησιμοποιείται μόνο από ενήλικα άτομα και σύμφωνα με τις οδηγίες που αναφέρονται στο παρόν εγχειρίδιο.
- Μην αγγίζετε το μηχάνημα με γυμνά πόδια ή με τα χέρια ή τα πόδια βρεγμένα.
- Μην βγάζετε το βύσμα από την ηλεκτρική πρίζα τραβώντας το καλώδιο, αλλά να πιάνετε την πρίζα.
- Μην ανοίγετε το συρταράκι απορρυπαντικών ενώ το μηχάνημα είναι σε λειτουργία.
- Μην αγγίζετε το νερό αδειάματος, αφού μπορεί να φτάσει σε υψηλές θερμοκρασίες.
- Μην ζορίζετε σε καμία περίπτωση την πόρτα: θα μπορούσε να χαλάσει ο μηχανισμός ασφαλείας που προστατεύει από τυχαία ανοίγματα.
- Σε περίπτωση βλάβης, σε καμία περίπτωση να μην επεμβαίνετε στους εσωτερικούς μηχανισμούς για να προσπαθείτε να την επισκευάσετε.
- Να ελέγχετε πάντα τα παιδιά να μην πλησιάζουν στο μηχάνημα όταν αυτό λειτουργεί.
- Κατά το πλύσιμο η πόρτα τείνει να θερμαίνεται.
- Αν το πλυντήριο πρέπει να μετατοπιστεί, συνεργαστείτε δύο ή τρία άτομα με τη μέγιστη προσοχή. Ποτέ μόνοι σας γιατί το μηχάνημα είναι πολύ βαρύ.
- Πριν εισάγετε τα ρούχα για πλύσιμο, ελέγξτε αν ο κάδος είναι άδειος.

## Διάθεση

- Διάθεση του υλικού συσκευασίας: τηρείστε τους τοπικούς κανονισμούς, ώστε οι συσκευασίες να μπορούν να επαναχρησιμοποιηθούν.
- **Η διάθεση των παλαιών ηλεκτρικών συσκευών**  
Η ευρωπαϊκή οδηγία 2002/96/ΕΚ για τα Απόβλητα Ηλεκτρικού και Ηλεκτρονικού Εξοπλισμού (ΑΗΗΕ), απαιτεί ότι οι παλαιές οικιακές ηλεκτρικές συσκευές δεν πρέπει να αποβάλλονται μαζί με τα υπόλοιπα απόβλητα του δημοτικού δικτύου. Οι παλαιές συσκευές πρέπει να συλλεχθούν χωριστά προκειμένου να βελτιστοποιηθούν η αποκατάσταση και η ανακύκλωση των υλικών που περιέχουν και με

σκοπό τη μείωση των βλαβερών επιπτώσεων στην ανθρώπινη υγεία και το περιβάλλον. Το σύμβολο με το διεγραμμένο "δοχείο αποβλήτων" στο προϊόν υπενθυμίζει σε σας την υποχρέωσή σας, πως όταν επιθυμείτε να πετάξετε τη συσκευή, πρέπει να συλλεχθεί χωριστά.

Οι καταναλωτές θα πρέπει να απευθύνονται στις τοπικές αρχές ή στα καταστήματα λιανικής για πληροφορίες που αφορούν τη σωστή διάθεση των παλαιών ηλεκτρικών συσκευών.

- Διάθεση του παλιού πλυντηρίου: πριν το πετάξετε, καταστήστε το μη χρησιμοποιήσιμο κόβοντας το καλώδιο ηλεκτρικής τροφοδοσίας και βγάζοντας την πόρτα.

## Εξοικονόμηση ενέργειας και σεβασμός του περιβάλλοντος

### Τεχνολογία στην υπηρεσία του περιβάλλοντος

Αν στην πόρτα φαίνεται λίγο νερό είναι γιατί με τη νέα τεχνολογία φτάσει λιγότερο από το μισό του νερού για να έχετε το βέλτιστο πλύσιμο: ένας στόχος που επιτεύχθηκε για το σεβασμό του περιβάλλοντος.

### Εξοικονόμηση απορρυπαντικού, νερού, ενέργειας και χρόνου

- Για να μην ξοδεύετε πόρους θα πρέπει να χρησιμοποιείτε το πλυντήριο με το μέγιστο φορτίο. Ένα πλήρες φορτίο στη θέση δύο μισών σας εξοικονομεί μέχρι το 50% ενέργειας.
- Η πρόπλυση είναι αναγκαία μόνο τα ασπρόρουχα που είναι πολύ λερωμένα. Αποφεύγοντάς τη εξοικονομείτε απορρυπαντικό, χρόνο, νερό και από 5 έως 15% ενέργειας.
- Περνώντας τους λεκέδες με ένα καθαριστικό ή αφήνοντάς τους σε μούλιασμα πριν το πλύσιμο, μειώνεται η αναγκαιότητα πλυσίματος σε υψηλές θερμοκρασίες. Ένα πρόγραμμα σε 60°C αντί των 90°C ή ένα σε 40°C αντί των 60°C, σας εξοικονομεί μέχρι 50% ενέργειας.
- Να δοσολογείτε καλά το απορρυπαντικό με βάση την σκληρότητα του νερού, το βαθμό βρωμιάς και την ποσότητα της μπουγάδας ώστε να αποσοβείτε σπατάλες και να προστατεύετε το περιβάλλον: ακόμα και τα βιοδιασπώμενα απορρυπαντικά περιέχουν στοιχεία που αλλοιώνουν την ισορροπία στην φύση. Επιπλέον να αποφεύγετε το μέγιστο δυνατόν το μαλακτικό.
- Αν η μπουγάδα πρέπει να στεγνώσει σε ένα στεγνωτήριο, επιλέξτε υψηλή ταχύτητα στουψίματος. Λίγο νερό στην μπουγάδα σας εξοικονομεί χρόνο και ενέργεια στο πρόγραμμα στεγνώματος.



# Συντήρηση και φροντίδα

GR

## Κλείσιμο παροχών νερού και ηλεκτρικού ρεύματος

- Κλείνετε την βρύση μετά από κάθε πλύσιμο. Έτσι περιορίζεται η φθορά της υδραυλικής εγκατάστασης του πλυντηρίου και αποσοβείται ο κίνδυνος απωλειών.
- Βγάλετε το βύσμα από το ρεύμα όταν καθαρίζετε το πλυντήριο και κατά τις εργασίες συντήρησης.

## Καθαρισμός του πλυντηρίου

Το εξωτερικό μέρος και τα λαστιχένια μέρη μπορούν να καθαρίζονται με ένα πανί βρεγμένο με χλιαρό νερό και σαπούνι. Μη χρησιμοποιείτε διαλύτες ή αποξυστικά.

## Φροντίδα της πόρτας και του κάδου

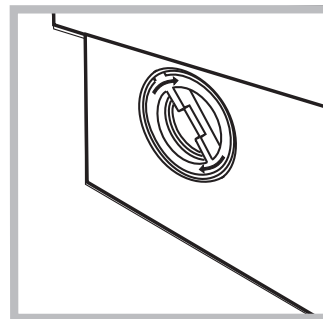
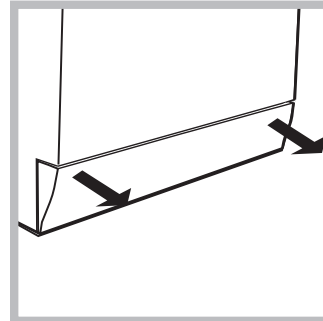
- Να αφήνετε πάντα μισόκλειστη την πόρτα για να μην παράγονται δυσοσμίες.

## Καθαρισμός της αντλίας

Το πλυντήριο διαθέτει μια αντλία αυτοκαθαριζόμενη που δεν χρειάζεται συντήρηση. Μπορεί όμως να τύχει να πέσουν μικρά αντικείμενα (κέρματα, κουμπιά) στον προθάλαμο που προστατεύει την αντλία, που βρίσκεται στο κάτω μέρος αυτής.

! Βεβαιωθείτε ότι ο κύκλος πλυσίματος έχει τελειώσει και βγάλετε το βύσμα.

Για να ανακτήσετε ενδεχόμενα πεσμένα αντικείμενα στον προθάλαμο:



στις αντίστοιχες εσοχές.

1. απομακρύνετε το ποδαράκι κάτω στο πρόσθιο πλευρό του πλυντηρίου τραβώντας με τα χέρια από τα πλαϊνά (βλέπε εικόνα).

2. ξεβιδώστε το καπάκι στρέφοντας το αριστερόστροφα (βλέπε εικόνα): είναι φυσικό να βγαίνει λίγο νερό.

3. καθαρίστε επιμελώς το εσωτερικό.

4. ξαναβιδώστε το καπάκι.

5. ξαναμοντάρετε το ταμπλό όντας σίγουροι, πριν το σπρώξετε προς το μηχάνημα, ότι έχετε εισάγει τα γαντζάκια

## Έλεγχος του σωλήνα τροφοδοσίας του νερού

Ελέγχετε το σωλήνα τροφοδοσίας τουλάχιστον μια φορά ετησίως. Αν παρουσιάζει σκασίματα και σχισμές αντικαθίσταται: κατά τα πλυσίματα οι ισχυρές πιέσεις θα μπορούσαν να προκαλέσουν ξαφνικά σπασίματα.

! Μη χρησιμοποιείτε ποτέ σωλήνες χρησιμοποιημένους.

## Πως καθαρίζεται η θήκη απορρυπαντικού

### Αποσυαρμολόγηση:

Εξασκήστε μια ελαφρά πίεση στο μεγάλο κουμπί στο πρόσθιο μέρος της θήκης απορρυπαντικού και τραβήξτε την προς τα πάνω (εικ. 1).

### Καθαρισμός:

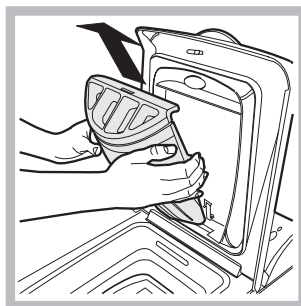
Κατόπιν, καθαρίστε τη θήκη κάτω από τη βρύση (εικ. 3) χρησιμοποιώντας μια οδοντόβουρτσα και, αφού τραβήξετε το ζευγάρι των σιφονίων που είναι βαλμένα στο επάνω μέρος των διαμερισμάτων 1 και 2 (εικ. 4), ελέγξτε αν τα ίδια είναι βουλωμένα και ξεπλύνετε τα.

### Επανασυναρμολόγηση:

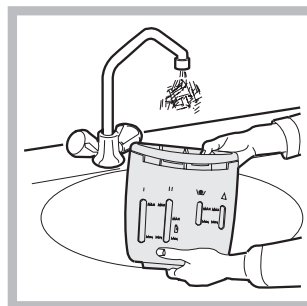
Μην ξεχνάτε να επανεισάγετε το ζευγάρι των σιφονίων στις αντίστοιχες έδρες και, τέλος, να ξαναβάλετε τη θήκη στην έδρα της εφαρμόζοντάς τη (εικ. 4, 2, 1).



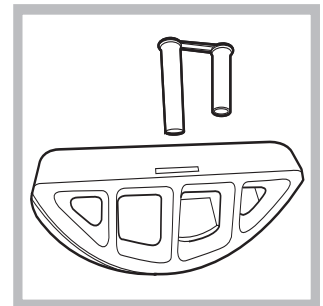
Εικ. 1



Εικ. 2



Εικ. 3



Εικ. 4

Μπορεί να συμβεί το πλυντήριο να μη λειτουργεί. Πριν τηλεφωνήσετε στην Υποστήριξη (βλέπε σελ. 72), ελέγξτε αν δεν πρόκειται για ένα πρόβλημα που επιλύεται εύκολα με τη βοήθεια του ακόλουθου καταλόγου.

GR


## Ανωμαλίες:

## Πιθανά αίτια / Λύση:

**Το πλυντήριο δεν ανάβει.**

- Το βύσμα δεν έχει εισαχθεί στην ηλεκτρική πρίζα, ή τουλάχιστον όχι αρκετά για να κάνει επαφή.
- Στο σπίτι δεν υπάρχει ρεύμα.

**Ο κύκλος πλυσίματος δεν ξεκινάει.**

- Η πόρτα δεν είναι καλά κλειστή (το φως Καπάκι Μπλοκαρισμένο αναβοσβήνει).
- Το κουμπί  δεν πατήθηκε.
- Το κουμπί START/RESET δεν πατήθηκε.
- η βρύση δεν είναι ανοικτή.

**Το πλυντήριο δεν φορτώνει νερό.**

- Ο σωλήνας τροφοδοσίας του νερού δεν είναι συνδεδεμένος στον κρουνό.
- Ο σωλήνας είναι διπλωμένος.
- η βρύση δεν είναι ανοικτή.
- Στο σπίτι λείπει το νερό.
- Δεν υπάρχει αρκετή πίεση.
- Το κουμπί START/RESET δεν πατήθηκε.

**Το πλυντήριο φορτώνει και αδειάζει νερό συνεχώς.**

- Ο σωλήνας αδειάσματος δεν έχει εγκατασταθεί μεταξύ 65 και 100 cm από το έδαφος (βλέπε σελ. 63).
- Το άκρο του σωλήνα αδειάσματος είναι βυθισμένο στο νερό (βλέπε σελ. 63).
- Το επιτοίχιο άδειασμα δεν έχει απαέρωση.

Αν μετά από αυτούς τους ελέγχους το πρόβλημα δεν λύνεται, κλείστε τον κρουνό του νερού, σβήστε το πλυντήριο και καλέστε την Υποστήριξη. Αν η κατοικία βρίσκεται στους τελευταίους ορόφους ενός κτιρίου, μπορεί να διαπιστωθούν φαινόμενα σιφωνισμού, οπότε το πλυντήριο φορτώνει και αδειάζει νερό συνεχώς. Για την αντιμετώπιση του προβλήματος διατίθενται στο εμπόριο κατάλληλες βαλβίδες αντι-σιφωνισμού.

**Το πλυντήριο δεν φορτώνει ή δεν στύβει.**

- Το πρόγραμμα δεν προβλέπει το άδειασμα: με ορισμένα προγράμματα πρέπει να το ενεργοποιείτε χειροκίνητα (βλέπε σελ. 66).
- Είναι ενεργή η δυνατότητα λιγότερο Σιδέρωμα: για την ολοκλήρωση του προγράμματος πιέστε το κουμπί START/RESET (βλέπε σελ. 67).
- Ο σωλήνας αδειάσματος είναι διπλωμένος (βλέπε σελ. 63).
- Ο αγωγός αδειάσματος είναι βουλωμένος.

**Το πλυντήριο δονείται πολύ κατά το στύψιμο.**

- Ο κάδος, τη στιγμή της εγκατάστασης, δεν απασφαλίστηκε σωστά (βλέπε σελ. 62).
- Το πλυντήριο δεν είναι οριζοντιωμένο (βλέπε σελ. 62).
- Το πλυντήριο είναι στενά μεταξύ επίπλων και τοίχου (βλέπε σελ. 62).

**Το πλυντήριο χάνει νερό.**

- Ο σωλήνας τροφοδοσίας του νερού δεν είναι καλά βιδωμένος (βλέπε σελ. 62).
- Το συρταράκι απορρυπαντικών είναι βουλωμένο (για να το καθαρίσετε βλέπε σελ. 70).
- Ο σωλήνας αδειάσματος δεν έχει στερεωθεί καλά (βλέπε σελ. 63).

**Η ενδεικτική λυχνία ΕΝΕΡΓΟΠΟΙΗΣΗ/ ΠΟΡΤΑ ΑΣΦΑΛΙΣΜΕΝΗ αναβοσβήνει γρήγορα και ταυτόχρονα με τουλάχιστον ένα άλλο ενδεικτική λυχνία.**

- Σβήστε τη πλυντήριο και βγάλτε το βύσμα από την πρίζα, περιμένετε περίπου 1 λεπτό μετά ξανανάψτε τη. Αν η ανωμαλία επιμένει, καλέστε την Υποστήριξη.

**Σχηματίζεται πολύς αφρός.**

- Το απορρυπαντικό δεν είναι ειδικό για πλυντήριο (πρέπει να υπάρχει η ένδειξη "για πλυντήριο", "για πλύσιμο στο χέρι και στο πλυντήριο", ή παρόμοια).
- Η δοσολογία υπήρξε υπερβολική.

## Πριν καλέσετε την τεχνική υποστήριξη:

- Βεβαιωθείτε ότι δεν μπορείτε να επιλύσετε μόνοι σας το πρόβλημα (*βλέπε σελ. 71*)
  - Επανεκκινήστε το πρόγραμμα για να ελέγξετε αν το πρόβλημα αντιμετωπίστηκε
  - Σε αντίθετη περίπτωση, επικοινωνήστε με το εξουσιοδοτημένο τμήμα τεχνικής υποστήριξης που αναγράφεται στο πιστοποιητικό εγγύησης.
- ! Μην καταφεύγετε ποτέ σε μη εξουσιοδοτημένους τεχνικούς.

## Γνωστοποιήστε:

- το είδος του προβλήματος
  - το μοντέλο του μηχανήματος (Mod.)
  - τον αριθμό σειράς (S/N).
- Οι πληροφορίες αυτές βρίσκονται στην ταμπελίτσα που υπάρχει στο πίσω μέρος του πλυντηρίου.



## Free Manuals Download Website

<http://myh66.com>

<http://usermanuals.us>

<http://www.somanuals.com>

<http://www.4manuals.cc>

<http://www.manual-lib.com>

<http://www.404manual.com>

<http://www.luxmanual.com>

<http://aubethermostatmanual.com>

Golf course search by state

<http://golfingnear.com>

Email search by domain

<http://emailbydomain.com>

Auto manuals search

<http://auto.somanuals.com>

TV manuals search

<http://tv.somanuals.com>