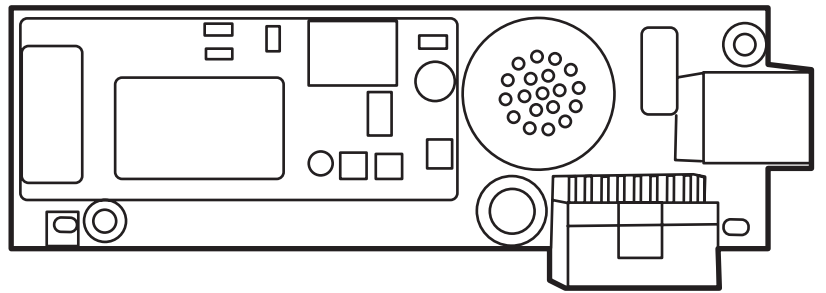


# HP LaserJet MFP Analog Fax Accessory 300 Fax Guide





# HP LaserJet MFP Analog Fax Accessory 300 Fax Guide



## Copyright and License

© 2008 Copyright Hewlett-Packard Development Company, L.P.

Reproduction, adaptation, or translation without prior written permission is prohibited, except as allowed under the copyright laws.

The information contained herein is subject to change without notice.

The only warranties for HP products and services are set forth in the express warranty statements accompanying such products and services. Nothing herein should be construed as constituting an additional warranty. HP shall not be liable for technical or editorial errors or omissions contained herein.

Edition 1, 04/2008

Part number: Q3701-91070

## Trademark Credits

Microsoft® and Windows® are U.S. registered trademarks of the Microsoft Corporation.

All products mentioned herein may be trademarks of their respective companies.

Local country/region laws may prohibit the use of this product outside of the countries/regions specified. It is strictly forbidden by law in most countries/regions to connect nonapproved telecommunications equipment (fax machines) to public telephone networks.

ENERGY STAR® and the ENERGY STAR® logo are U.S. registered marks of the United States Environmental Protection Agency.



---

# Table of contents

## 1 Setup

Parts included with the fax accessory .....	2
Installing the fax accessory .....	3
Installing/replacing the fax accessory in the HP LaserJet 9040/9050mfp .....	3
Installing/replacing the fax accessory in the HP LaserJet 4345mfp .....	6
Installing/replacing the fax accessory in the HP LaserJet M4345 MFP .....	10
Installing/replacing the fax accessory in the HP Color LaserJet 4730mfp and HP Color LaserJet CM4730 MFP .....	12
Installing/replacing the fax accessory in the HP LaserJet M5025 MFP and M5035 MFP .....	20
Installing/replacing the fax accessory in the HP Color LaserJet CM6040 MFP Series .....	23
Installing/replacing the fax accessory in the HP LaserJet M9040 MFP / M9050 MFP .....	31
Verifying fax operation .....	35
Required fax settings .....	36
Fax Configuration Wizard .....	36
Accessing fax settings menu .....	36
Set or verify the date and time for the HP LaserJet 4345mfp and 9040/9050mfp, and the HP Color LaserJet 4730mfp and 9500mfp .....	36
Set or verify the date and time on the HP LaserJet M3035 MFP, M3027 MFP, M4345 MFP, M5025 MFP, M5035 MFP, M9040 MFP, M9050 MFP and HP Color LaserJet CM4730 MFP and CM6040 MFP Series .....	37
Set, verify, or change the MFP/fax accessory country/region .....	37
Set the fax header .....	38

## 2 Set fax settings

Remote fax configuration .....	42
Web browser .....	42
HP Web Jetadmin .....	42
HP MFP Digital Sending Software Configuration Utility .....	43
Send fax settings .....	44
Set the dial tone detection .....	44
Set the overlay header (outgoing faxes) .....	44
Set the dialing mode .....	45
Set a dialing prefix .....	45
Set the redial rules .....	46

Set redial-on-busy .....	46
Set redial-on-no-answer .....	47
Set redial interval .....	48
Set the outgoing fax resolution .....	48
Set billing codes .....	49
Set the JBIG compression mode .....	50
Change the sharpness setting .....	51
Change the background setting .....	51
Change the light/dark setting .....	52
Activate Fax Number Confirmation .....	52
Activate Fax Number Speed Dial Matching .....	53
Receive fax settings .....	54
Set rings-to-answer .....	54
Stamp received faxes (incoming faxes) .....	54
Set fit-to-page .....	55
Set the paper tray .....	55
Set the destination bin .....	56
Blocking incoming faxes .....	57
Create a blocked-fax list .....	57
Remove numbers from the blocked-fax list .....	57
Clear all numbers from the blocked-fax list .....	58
Initiate polling receive .....	59
Changing notification settings .....	59
Set the error correction mode .....	61
Set the modem volume .....	62
Set the ringer volume .....	63

### 3 Use Fax

Fax feature screen .....	66
HP LaserJet 4345mfp and 9040/9050mfp, and HP Color LaserJet 4730mfp and 9500mfp fax feature screen .....	66
HP LaserJet M3035 MFP, M3027 MFP, M4345 MFP, M5025 MFP, M5035 MFP, M9040 MFP, M9050 MFP and HP Color LaserJet CM4730 MFP and CM6040 MFP Series fax feature screen .....	67
Status message bar .....	69
Send a fax .....	70
Send a fax - enter number(s) manually .....	70
Send a fax using speed dial .....	73
Sending a fax using one touch speed dial .....	74
Search a speed-dial list by name .....	75
Sending a fax using phone book numbers .....	76
DSS fax phone book search .....	78
Canceling a fax .....	80
Cancel the current fax transmission .....	80

Cancel all pending faxes .....	80
Receiving faxes .....	82
Creating and deleting speed dial lists .....	83
Create a speed dial list .....	83
Delete a speed dial list .....	83
Delete a single number from the speed dial list .....	84
Add a number to an existing speed dial list .....	85
Assigning speed dial lists to one-touch keys .....	86
Assign a speed dial to a one-touch key for the HP LaserJet 4345mfp and 9040/9050mfp, and the HP Color LaserJet 4730mfp and 9500mfp .....	86
Clear or reassign speed dial lists to one-touch keys for the HP LaserJet 4345mfp and 9040/9050mfp, and the HP Color LaserJet 4730mfp and 9500mfp .....	86
Voice Calls and Retries .....	87
Fax Call Report .....	87
Fax Activity Log .....	87
T.30 Report .....	87
Secure settings .....	88
Change your PIN .....	88
Set fax forwarding .....	90
Scheduling fax printing (memory lock) .....	91
Fax-printing behavior .....	91
Enable or disable the schedule for printing of faxes .....	92
Create a fax printing schedule .....	93
Using Fax over VoIP networks .....	95

#### 4 Solve fax problems

Is your fax set up correctly? .....	98
What type of phone line are you using? .....	98
Are you using a surge-protection device? .....	98
Are you using a phone company voice-messaging service or an answering machine? .....	98
Checking fax accessory status .....	99
Fax feature is not operating .....	100
General fax problems .....	101
Receiving fax problems .....	102
Sending fax problems .....	104
Error codes .....	105
Fax error messages .....	106
Send-fax messages .....	107
Receive-fax messages .....	108
Fax logs and reports .....	109
Printing the fax call report (include thumbnail) .....	109
To schedule fax call report printing .....	110
Printing the fax activity log .....	111

Printing the billing code report .....	112
Clearing the fax activity log and billing code report .....	112
Printing the blocked fax list report .....	113
Printing the speed dial list report .....	113
Service settings .....	115
Firmware upgrades .....	117

## Appendix A Service and support

Hewlett-Packard limited warranty statement .....	120
HP Customer Care .....	121
World Wide Web .....	121
E-mail .....	121
Phone .....	121

## Appendix B Specifications

Fax accessory product specifications .....	124
Replacement parts and accessories .....	125

## Appendix C Regulatory Information

Environmental Product Stewardship Program .....	128
Declaration of conformity .....	129
US Federal Communications Commission .....	130
FCC Part 15 Compliance Statement .....	130
FCC Part 68 Telecom .....	130
Telephone Consumer Protection Act (US) .....	131
Canadian Department of Communications .....	132
Canadian Limitations Notice .....	132
Other regulatory information .....	133
Regulatory information for EU countries/regions .....	133
New Zealand Telecom Warning Notice .....	133
South African Notice .....	134
TAIWAN BSMI Class A Warning .....	134

<b>Index .....</b>	<b>135</b>
--------------------	------------



---

# 1 Setup


The HP LaserJet MFP Analog Fax Accessory 300 enables the HP multifunction product (MFP) to function as a standalone analog fax machine.

This guide describes the fax functions of this product in the following sections:

- [Parts included with the fax accessory](#)
- [Installing the fax accessory](#)
- [Verifying fax operation](#)
- [Required fax settings](#)

In addition, this guide provides information on product specifications and regulatory information.


---

 **NOTE:** In addition to the analog fax feature, the MFP also supports LAN faxing. LAN faxing is managed by the HP MFP Digital Sending Software Configuration Utility which is a separate product and is not covered in this document. For information about LAN faxing, see the **HP MFP Digital Sending Software User Guide** or the **HP MFP Digital Sending Software Support Guide**. If both the analog fax accessory and the LAN fax are installed, only one fax can be enabled at a time.

---

You should save this guide so that you can refer back to instructions on specific fax features.

---

 **NOTE:** If the MFP did not come with the fax accessory installed, you need to install it as described in this chapter.

**NOTE:** If the MFP came with the fax accessory installed, you need to remove the fax connection cover, connect the phone cord, and then perform the initial fax configuration that is also described in this chapter. The fax connection cover is located on the phone connector on the formatter rear panel.

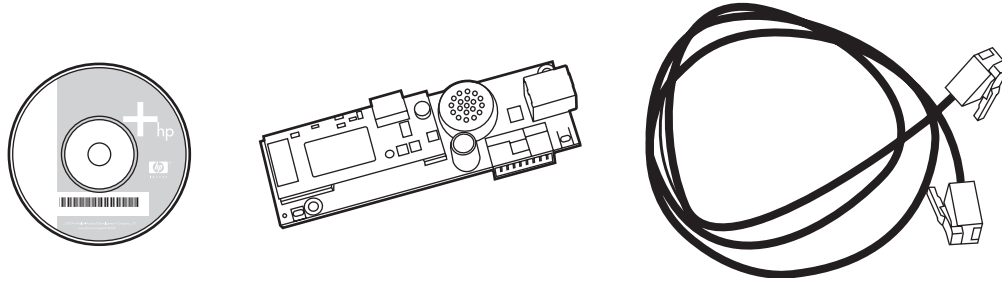
---

## Parts included with the fax accessory


The following components are included with the fax accessory:

- Fax guide (this document) (on CD)
- Send Fax Driver and Send Fax Driver Guide (on CD)
- Fax accessory hardware card
- Phone cord(s) (cords vary depending on the country/region)

**Figure 1-1** HP LaserJet MFP Analog Fax Accessory 300 contents



---

 **NOTE:** The **Send Fax Driver** allows a user to send a fax directly from their PC to a network connected MFP. Installation of this driver is optional. (See **Send Fax Driver Guide** on the CD for further instructions).

---


# Installing the fax accessory

- [Installing/replacing the fax accessory in the HP LaserJet 9040/9050mfp](#)
- [Installing/replacing the fax accessory in the HP LaserJet 4345mfp](#)
- [Installing/replacing the fax accessory in the HP LaserJet M4345 MFP](#)
- [Installing/replacing the fax accessory in the HP Color LaserJet 4730mfp and HP Color LaserJet CM4730 MFP](#)
- [Installing/replacing the fax accessory in the HP LaserJet M5025 MFP and M5035 MFP](#)
- [Installing/replacing the fax accessory in the HP Color LaserJet CM6040 MFP Series](#)
- [Installing/replacing the fax accessory in the HP LaserJet M9040 MFP / M9050 MFP](#)

## Installing/replacing the fax accessory in the HP LaserJet 9040/9050mfp

This procedure provides information on how to install or replace the fax card in the HP LaserJet 9040/9050mfp.


---

 **NOTE:** If you purchased the MFP with the fax accessory installed, you do not need to perform this hardware installation; however, you will need to connect the phone cord as described in steps 10 and 11 of this procedure and you will also need to make the required configuration settings. See [Required fax settings on page 36](#).

---

The fax accessory card is installed on the MFP formatter board which must be removed to install the fax card. To install or to replace an existing fax card, complete the following steps.

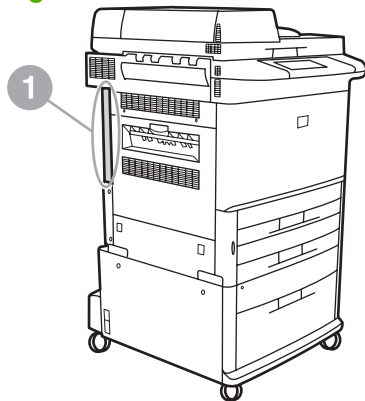
---

 **NOTE:** The Fax Accessory is also supported on the M3035xs MFP and the M3027x MFP, and it is factory installed. This also applies to the Color LaserJet 9500mfp.


---

1. Unpack the fax card from the box. Do not remove the fax card from its antistatic pouch.
2. Set the MFP's power switch to off and disconnect the AC power cord.
3. Locate the formatter board. The formatter board is attached to a sheet-metal plate (1) located on the left side of the MFP towards the back.

**Figure 1-2** HP LaserJet 9040/9050mfp formatter location



4. Disconnect all the cables (2) from the formatter (1). Remember where the cables are removed from to ensure that you reinstall them in the same locations.

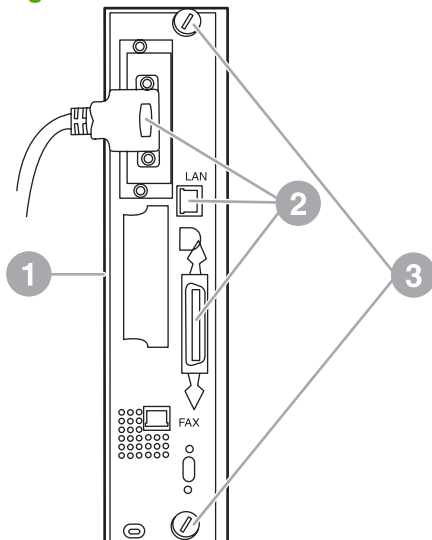
 **NOTE:** If this is the first time the fax is installed, remove the small cover over the opening for the phone jack on the rear panel of the formatter before inserting the fax card into the formatter.




The formatter board contains parts that are sensitive to electrostatic discharge (ESD). When handling the formatter board, use static protection, such as a grounding wrist strap connected to the metal frame of the MFP or hold the metal frame with your hand. Also, avoid touching the components on the board.

5. Loosen two captive thumb-screws (3) at the top and bottom of the formatter plate, and pull the formatter plate and board (1) out of the MFP. Set the formatter board on a flat, non-conductive surface.

**Figure 1-3** HP LaserJet 9040/9050mfp formatter removal



The fax card contains parts that are sensitive to electrostatic discharge (ESD). When removing the fax card from its antistatic pouch and while installing it, use static protection such as a grounding wrist strap connected a grounded metal component such as the metal frame of the MFP, or touch the grounded metal frame with your hand. Also, avoid touching the components on the board.

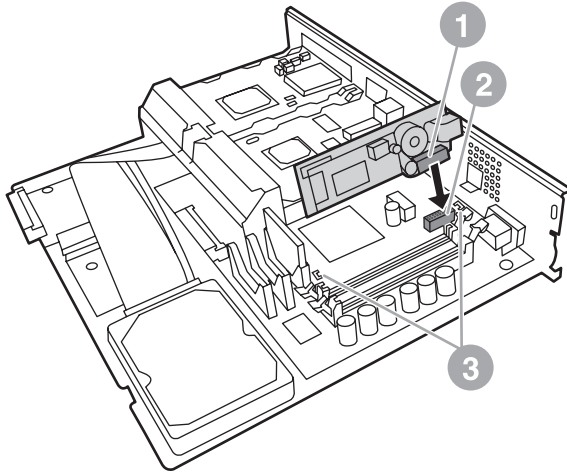
 **NOTE:** If you are replacing an existing fax card, remove the card that is to be replaced from the formatter.

**NOTE:** While handling the fax card, do not press on the yellow component on the card because this could damage it and result in a fax malfunction.

6. Remove the fax accessory from its antistatic pouch.
7. Insert the fax card connector (1) into the formatter fax connector (2). The connector on the formatter board is labeled "FAX ACCESSORY." When inserting the card into the connector, the ends of the card should slide into the two board guides (3) and "snap" into place when it is fully seated in the connector.

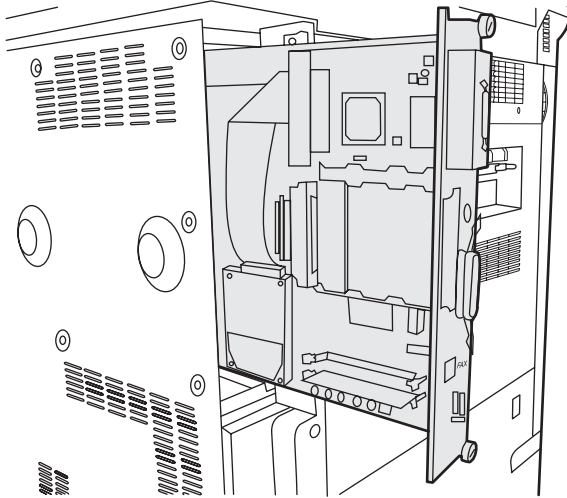
Verify that the accessory is securely seated. The phone connector on the fax card should be aligned with the opening in the back of the formatter cage.

**Figure 1-4** Installing the fax card on the HP LaserJet 9040/9050mfp formatter board



Install the formatter back into the MFP.

**Figure 1-5** Reinstalling the formatter into the HP LaserJet 9040/9050mfp




8. Reconnect any cables (4) removed from the formatter in step 4.

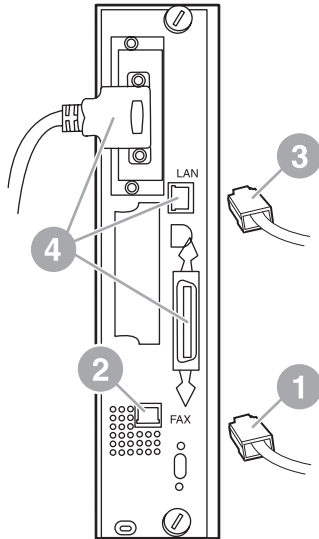
**NOTE:** When connecting the fax card to a phone line, ensure that the phone line being used is a dedicated, single-channel analog line that is not used by any other devices. This line should be an analog line because the fax will not function correctly if connected to some digital PBX systems. If you are unsure of what type of line you have, contact your telecom provider. Also, HP recommends using the phone cord that comes with the fax accessory to ensure the accessory functions correctly.

**NOTE:** The phone wall jack is electrified and you might receive an electric shock if you touch the wall jack. When installing the phone cable, do not touch the wall phone jack or, if you connect the phone cable into the wall phone jack first, do not touch the wires on the phone cable connector at other end.

9. Connect the phone cord connector (1) into the FAX connector (2) on the formatter plate. Push the connector in until it "clicks".

 **NOTE:** The LAN connector and the phone cord connector are similar. Ensure that you connect the LAN cable plug (3) into the LAN connector and the phone cord connector (1) into the FAX connector (2). Note that the LAN connector is wider than the phone connector.

**Figure 1-6** Making cabling connections to the formatter for the HP LaserJet 9040/9050mfp



10. Connect the other end of the phone cord into the phone jack on the wall. Push the connector until you hear a click or until the connector is securely seated. Because there are different types of connectors, depending on the country/region, the connector might make an audible click when connected or might not make an audible click.
11. Plug in the MFP AC power cord and set the power switch to on.

This completes the installation of the fax card. Next, you need to verify that the fax has been installed correctly and is operating. See [Verifying fax operation on page 35](#).


## Installing/replacing the fax accessory in the HP LaserJet 4345mfp

This procedure provides information on how to install the fax card in the HP LaserJet 4345mfp.

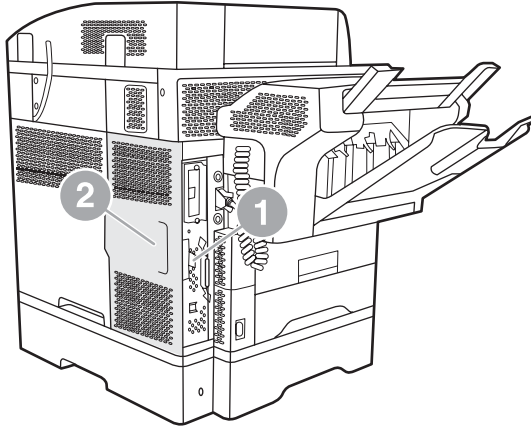
The fax card is installed on the MFP formatter board, which is accessed by removing a MFP side panel. To install the fax card, complete the following steps.

1. Unpack the fax card from the box, but do not remove it from its antistatic pouch.
2. Set the MFP's power switch to off and disconnect the AC power cord.
3. Locate the formatter board (1) on the back of the printer.
4. To access the formatter board, locate the removable cover (2) on the side of the MFP.

5. Remove the side cover by placing your fingers in the cover's indented area (2) and pulling, to slide it back and remove it from the printer.

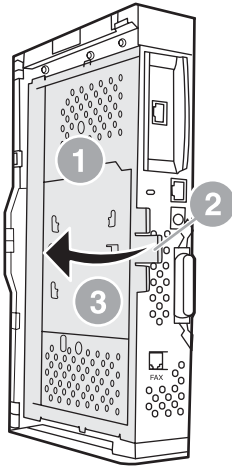
 **NOTE:** You do not need to remove any cables from the formatter for this procedure.

**Figure 1-7** MFP formatter cover - HP LaserJet 4345mfp (rear view)



6. Open the formatter cage door (1) by pulling out on the door tab (2) and swing (3) the door open.

**Figure 1-8** Formatter cage door - HP LaserJet 4345mfp



The fax card contains parts that are sensitive to electrostatic discharge (ESD). When removing the fax accessory from its antistatic pouch and while installing it, use static protection, such as a grounding wrist strap connected to a grounded metal frame of the MFP or touch the metal frame of the MFP with your hand while installing the fax card.

---

**NOTE:** If this is the first time the fax is installed, remove the small cover over the opening for the phone jack on the rear panel of the formatter before inserting the fax card into the formatter.

**NOTE:** If you are replacing an existing fax card, remove the card that is to be replaced from the formatter.

**NOTE:** While handling the fax card, do not press on the yellow component on the card because this could damage it and cause a fax malfunction.

---

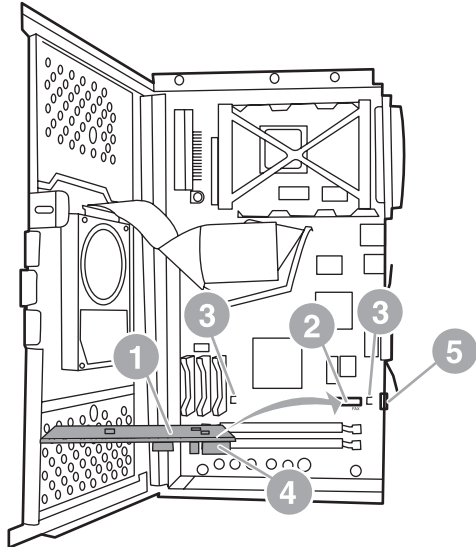
7. Remove the fax card from its antistatic pouch.




8. Insert the fax card connector (1) into the formatter fax connector (2). The connector (2) on the formatter board is labeled "FAX ACCESSORY." The ends of the card should slide into the two guides (3) and the card should "snap" into place when it is fully seated.

Verify that the accessory is securely seated. The phone connector (4) on the fax card should be aligned with the opening (5) in the back of the formatter cage.

**Figure 1-9** Installing the fax card on the formatter - HP LaserJet 4345mfp



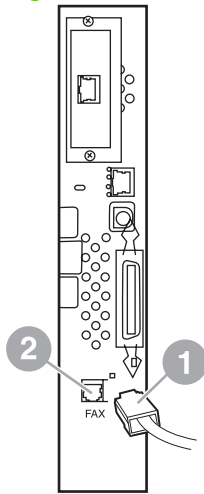
9. Close the formatter cage door and replace the MFP formatter cover.

 **NOTE:** When connecting the fax accessory to a phone line, ensure that the phone line being used for the fax accessory is a dedicated line that is not used by any other devices. This line should be an analog line, because the fax will not function correctly if connected to some digital PBX systems. If you are unsure of what type of line you have, contact your telecom provider. Also, HP recommends using the phone cord that comes with the fax accessory to ensure that the accessory functions correctly.

**NOTE:** The phone wall jack is electrified and you might receive an electric shock if you touch the connector wires. When installing the phone cable, do not touch the wall phone jack or, if you connect the phone cable into the wall phone jack first, do not touch the wires on the phone cable connector at other end.

10. Connect one phone cord connector (1) into the FAX connector (2). Push it in until it "clicks."

**Figure 1-10** Making cabling connections - HP LaserJet 4345mfp



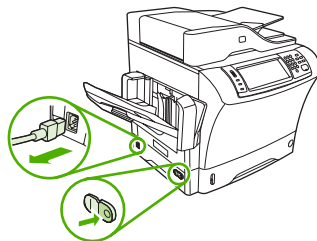
11. Connect the other end of the phone cord into the phone jack on the wall. Push the connector until you hear a click or until the connector is securely seated. Because there are different types of connectors, depending on the country/region, the connector might make an audible click when connected or might not make an audible click.
12. Plug the MFP AC power cord in and set the power switch to on.

This completes the installation of the fax card. Next, you need to verify that the fax has been installed correctly and is operating, see, [Verifying fax operation on page 35](#).

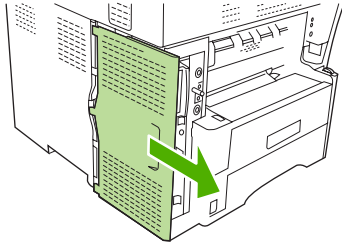
## Installing/replacing the fax accessory in the HP LaserJet M4345 MFP

If your device does not have the HP LaserJet Analog Fax Accessory 300 installed, use the following procedure to install it.

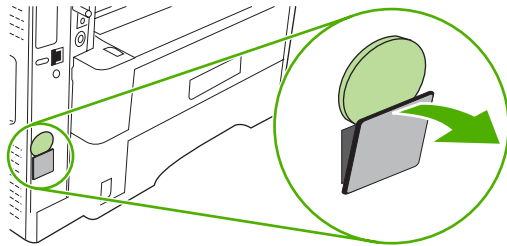
1. Unpack the fax accessory from the box, but do not remove it from the antistatic pouch.
2. Turn off the device, and unplug the power cable.



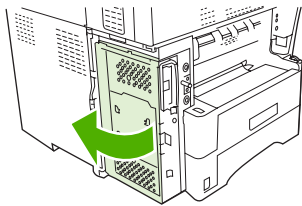
3. At the back of the device, remove the side cover by placing your fingers in the indented area and sliding the cover off.



4. If necessary, remove the plastic fax-accessory cover from the formatter. Insert a coin into the groove at the top of the cover, and use it to pry the cover away from the formatter.



5. Open the formatter-cage door by grasping the metal tab and pulling the door open.

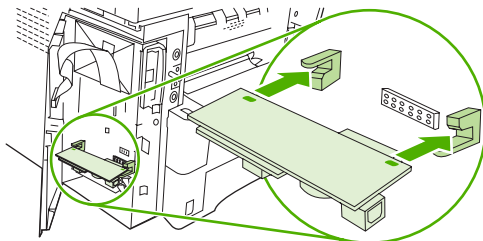


6. If you are replacing an existing fax accessory, remove the old card from the formatter by pulling it out of the slot.
7. Remove the new fax accessory from the antistatic pouch.

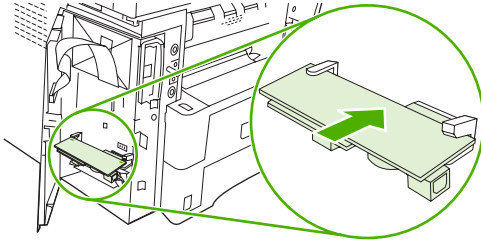
△ **CAUTION:** The fax accessory contains parts that are sensitive to electrostatic discharge (ESD). When handling the fax accessory, use static protection such as a grounding wrist strap that is connected to the metal frame of the device, or touch the metal frame of the device with your other hand.

**CAUTION:** When handling the fax accessory, do not press the yellow component on the card. Doing so can damage the card and cause a fax malfunction.

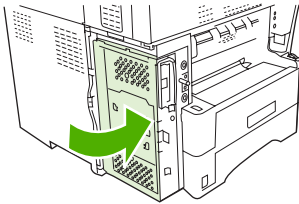
8. Align the two cutouts on the new fax accessory with the two fax-accessory guides on the formatter.



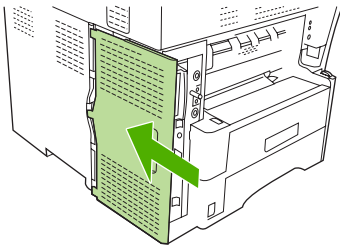
9. Push the fax accessory into place, and then verify that it is securely connected to the formatter. The phone connector on the fax accessory should be aligned with the square opening in the formatter cage.



10. Close the formatter-cage door.



11. Replace the formatter cover.



12. Plug the power cable into the device, and turn on the device.

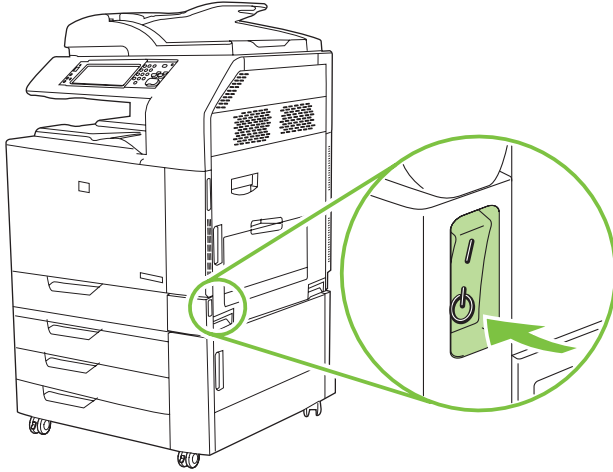
## Installing/replacing the fax accessory in the HP Color LaserJet 4730mfp and HP Color LaserJet CM4730 MFP

The HP Color LaserJet 4730 and HP Color LaserJet CM4730 MFP are not equipped with the analog fax accessory installed. The HP Color LaserJet 4730x, 4730xs, and 4730xm MFP models come with an Analog Fax Accessory 300 already installed. Windows users can also install the optional HP Digital Sending Software (DSS), which provides digital faxing services.

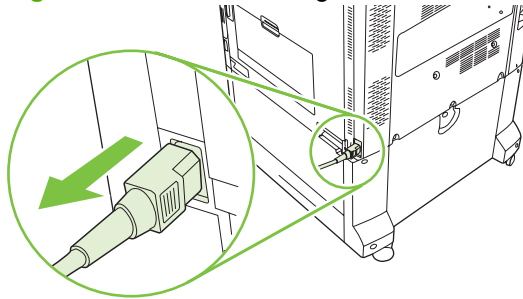
Use this procedure to install the analog fax accessory for the HP Color LaserJet 4730mfp and HP Color LaserJet CM4730 MFP if it is not already installed.

1. Turn off the MFP, and disconnect all cables.

**Figure 1-11** Turning the power off

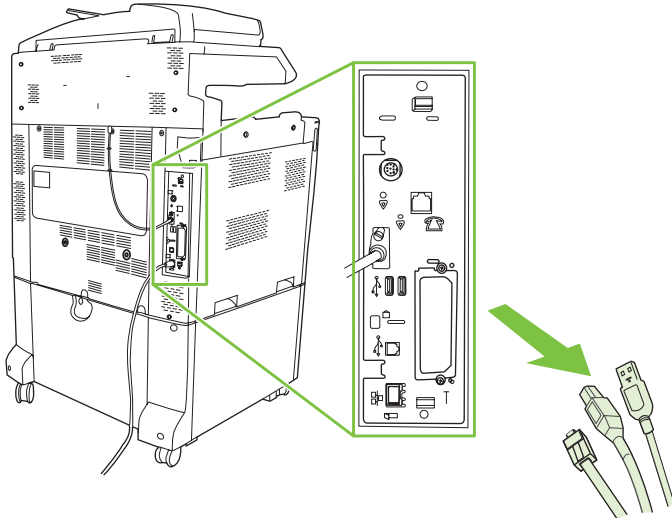


**Figure 1-12** Disconnecting the cables



2. Locate the formatter board in the back of the MFP.

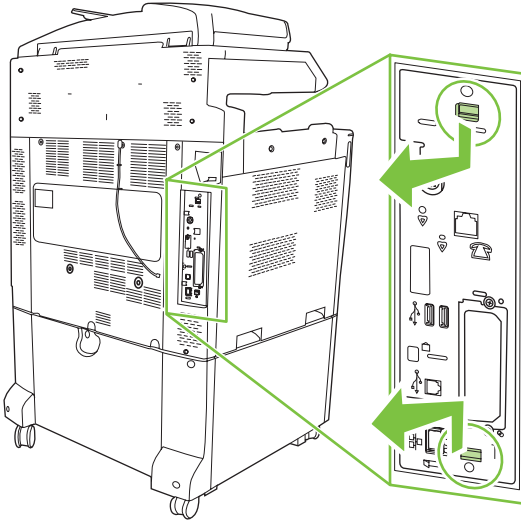
**Figure 1-13** Locating the formatter board



**NOTE:** If this is the first time the fax is installed, remove the small cover over the opening for the phone jack on the rear panel of the formatter before inserting the fax card into the formatter.

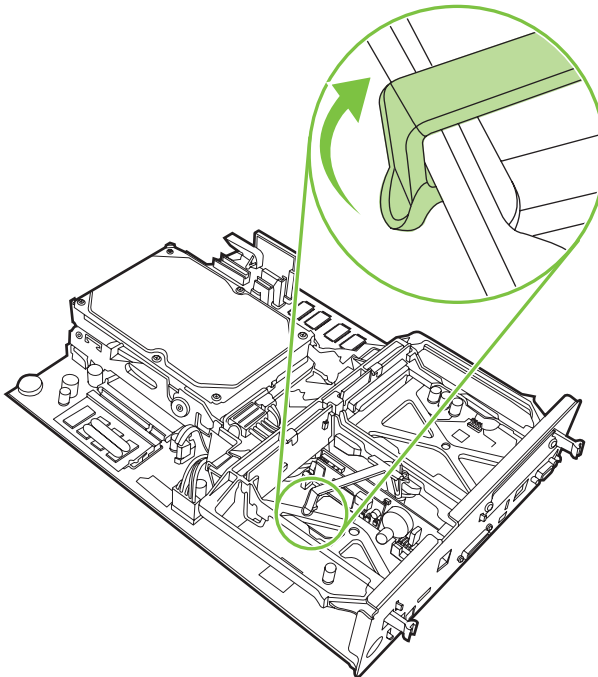
3. Gently pull on the black tabs at the top and bottom of the formatter board to pull the board from the MFP. Place the formatter board on a clean, flat, grounded surface.

**Figure 1-14** Pulling the black tabs



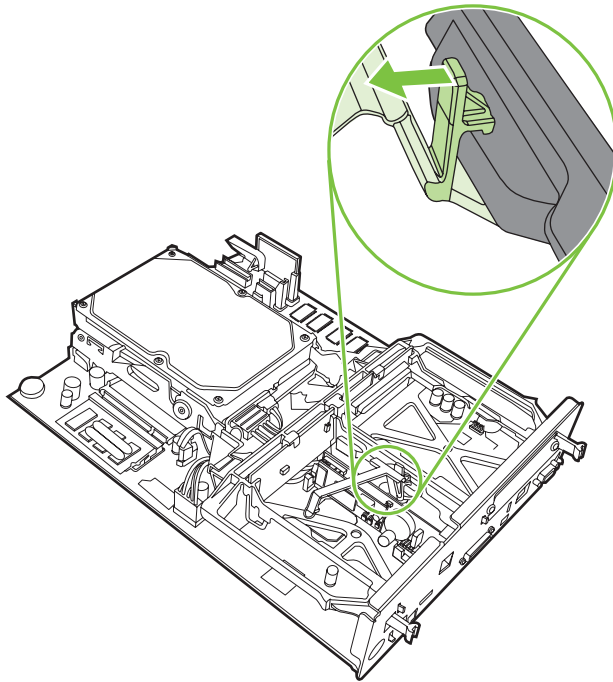
4. Lift up on the left side of the fax card strap.

**Figure 1-15** Lifting up the left side of the fax card strap



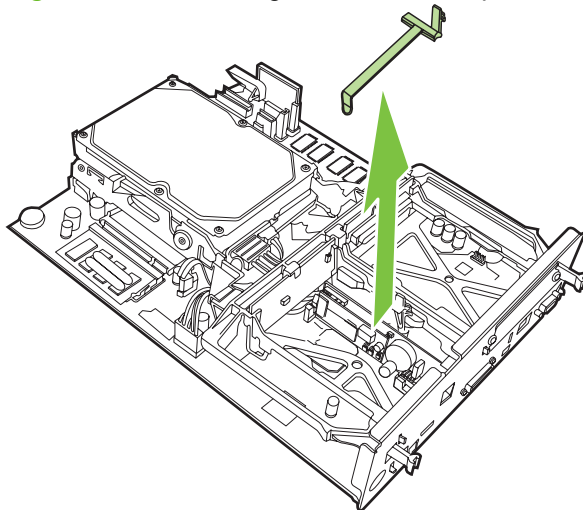
5. Push the tab on the right side of the fax card strap to the left.

**Figure 1-16** Releasing the tab to the left side of the fax card strap



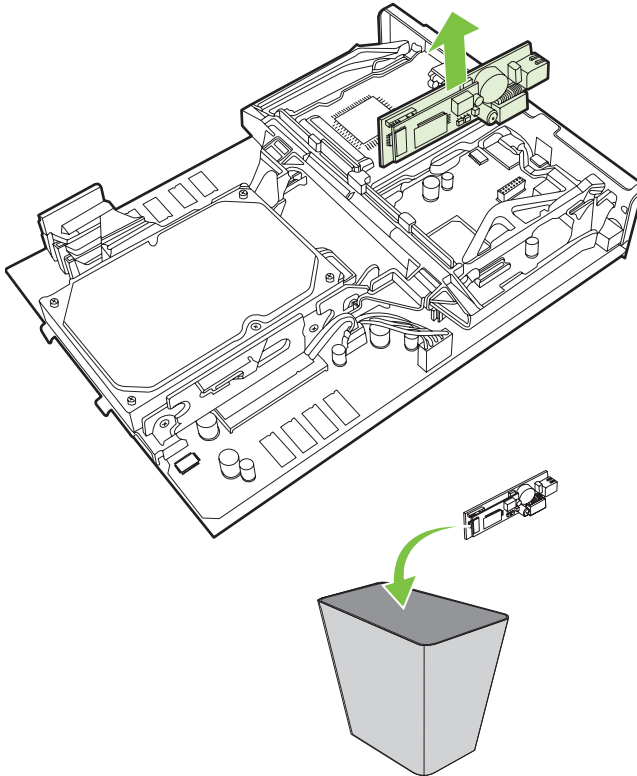
6. Lift up to remove the fax card strap.

**Figure 1-17** Removing the fax card strap



7. If you are replacing an existing fax accessory, pull up to remove it.

**Figure 1-18** Replacing an existing fax accessory



8. Remove the fax accessory from its antistatic pouch.

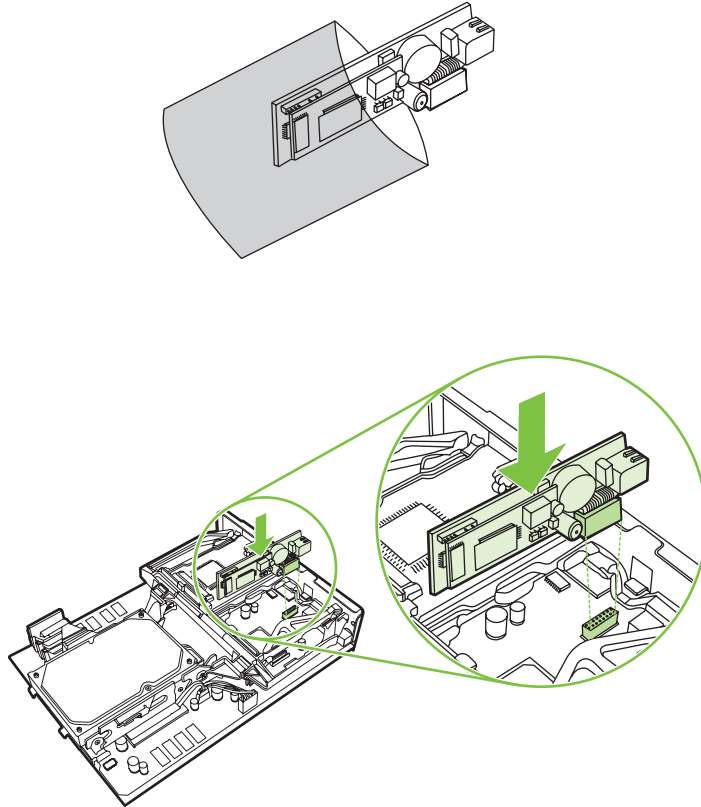


The fax accessory contains parts that are sensitive to electrostatic discharge (ESD). When removing the fax accessory from its antistatic pouch and while installing it, use static protection, such as a grounding wrist strap that is connected to the metal frame of the MFP, or touch the metal frame of the MFP with your other hand.



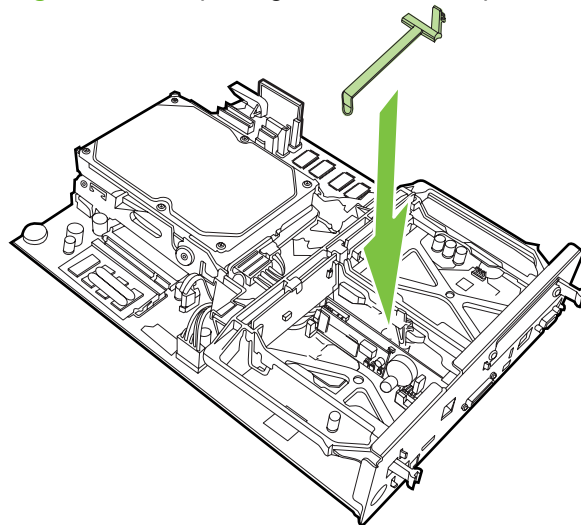
9. Align the fax accessory with the two guides. Make sure that the connector pins are aligned, and then push the fax accessory into place. Make sure that the fax accessory is securely connected to the formatter.

**Figure 1-19** Inserting the fax accessory



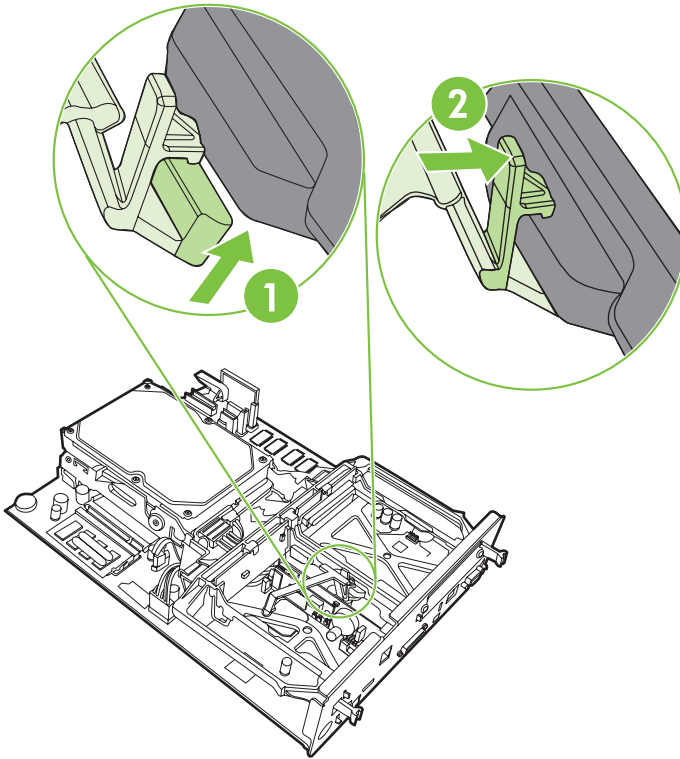
10. Replace the fax card strap.

**Figure 1-20** Replacing the fax card strap



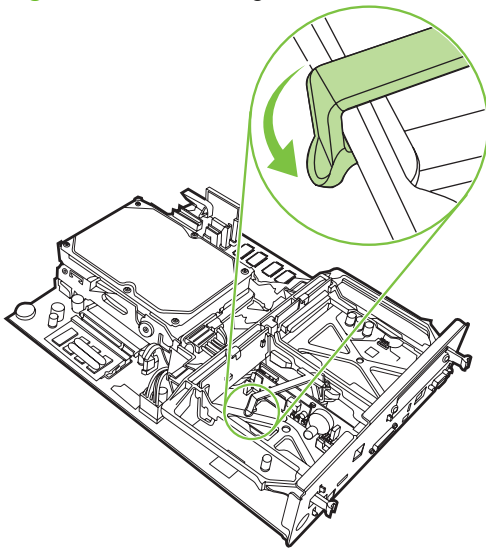
11. Secure the tab on the right side of the fax card strap.

**Figure 1-21** Securing the right side of the fax card strap tab



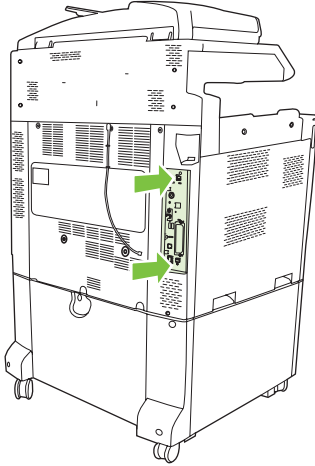
12. Secure the tab on the left side of the fax card strap.

**Figure 1-22** Securing the left side of the fax card strap tab



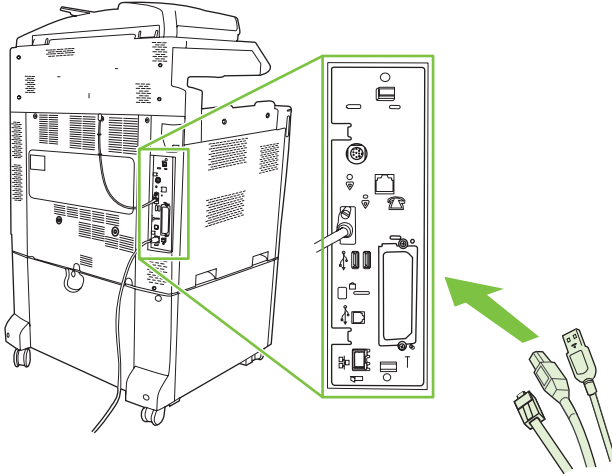
13. Align the formatter board in the tracks at the top and bottom, and slide the board back into the MFP.


**Figure 1-23** Aligning the formatter board



14. Reconnect all the cables, and turn on the MFP.

**Figure 1-24** Reconnecting the cables

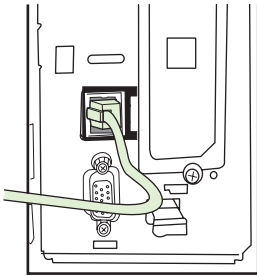


 **NOTE:** When connecting the fax accessory to a phone line, ensure that the phone line being used for the fax accessory is a dedicated line that is not used by any other devices. Also, this line should be an analog line because the fax will not function correctly if it is connected to some digital PBX systems. If you are not sure whether you have an analog or digital phone line, contact your telecom provider.

**NOTE:** HP recommends using the phone cord that comes with the fax accessory to ensure that the accessory functions correctly.

15. Locate the phone cord that is included with the fax accessory kit. Connect one end of the phone cord into the fax accessory phone jack that is on the formatter. Push the connector until you hear a click.

**Figure 1-25** Connecting the phone cord



---

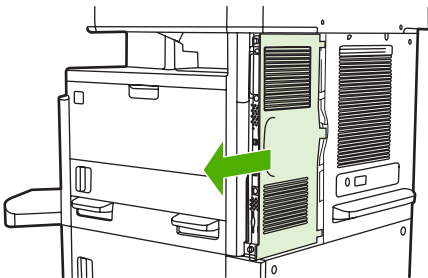
**NOTE:** Be sure to connect the phone line to the fax accessory port, which is near the top of the formatter. Do not connect the phone line to the HP Jetdirect LAN port, which is nearer the bottom of the formatter.

---

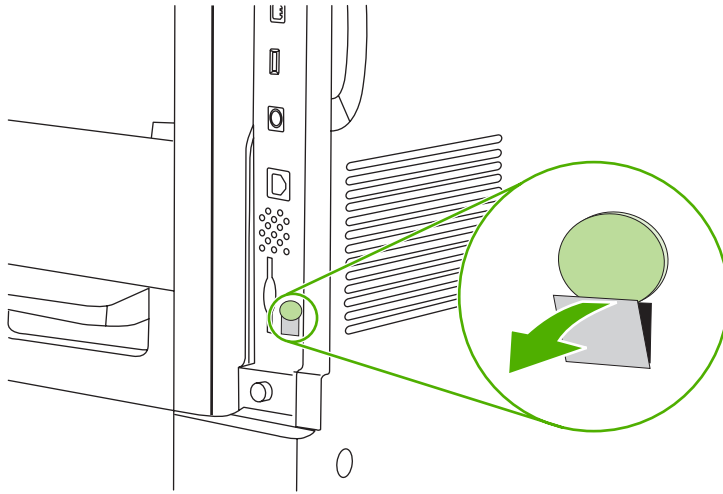
16. Connect the other end of the phone cord into the phone jack on the wall. Push the connector until you hear a click or until the connector is securely seated. Because there are different types of connectors, depending on the country/region, the connector might make an audible click when connected or might not make an audible click.

## Installing/replacing the fax accessory in the HP LaserJet M5025 MFP and M5035 MFP

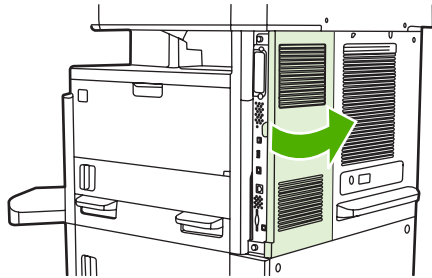
1. Unpack the fax accessory from the box, but do not remove it from the antistatic pouch.
2. Turn off the device, and unplug the power cable.
3. At the back of the device, remove the side cover by placing your fingers in the indented area and sliding the cover off.



4. If necessary, remove the plastic fax-accessory cover from the formatter. Insert a coin into the groove at the top of the cover, and then pry the cover away from the formatter.



5. Open the formatter-cage door by grasping the metal tab and pulling the door open.

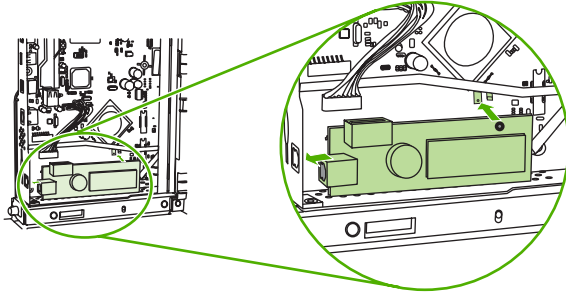


6. If you are replacing an existing fax accessory, unplug the fax cable and remove the accessory from the device.
7. Remove the new fax accessory from the antistatic pouch.

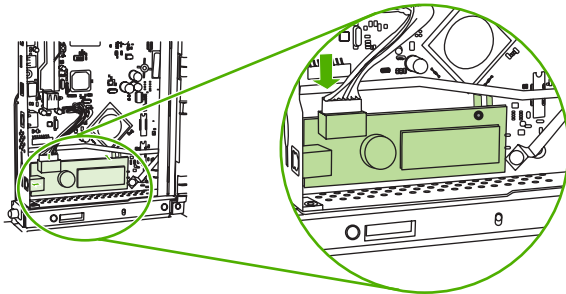
△ **CAUTION:** The fax accessory contains parts that are sensitive to electrostatic discharge (ESD). When handling the fax accessory, use static protection such as a grounding wrist strap that is connected to the metal frame of the device, or touch the metal frame of the device with your other hand.

**CAUTION:** When handling the fax accessory, do not press the yellow component on the card. Doing so can damage the card and cause a fax malfunction.

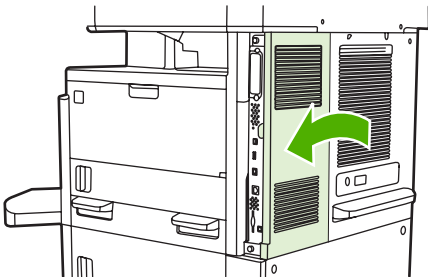
- Align the new fax accessory with the black fax-accessory guides at the bottom of the formatter. The phone connector on the fax accessory should be aligned with the square opening in the formatter cage.



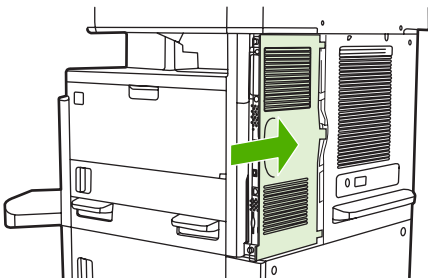
- Push the fax accessory into place, and verify that the fax accessory is securely connected to the formatter.
- Connect the fax cable to the new fax accessory.



- Close the formatter-cage door.



- Replace the formatter cover.



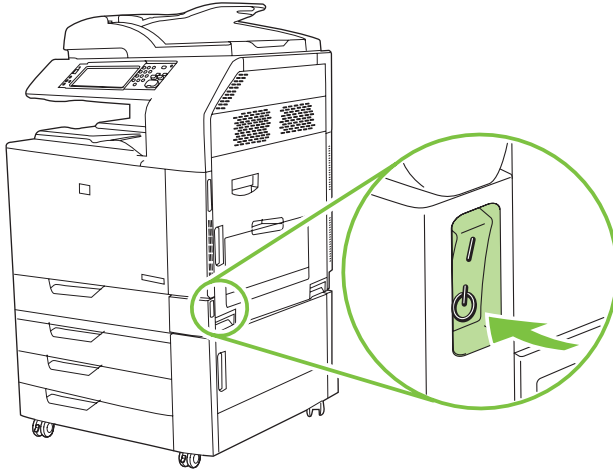
- Plug the power cable into the device, and turn on the device.

# Installing/replacing the fax accessory in the HP Color LaserJet CM6040 MFP Series

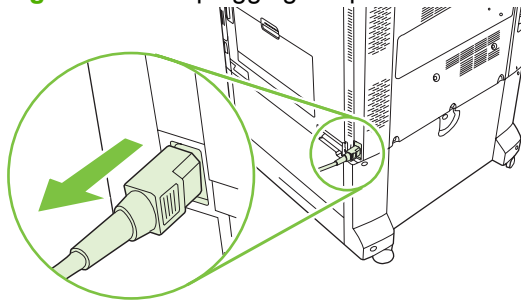
Use this procedure to install the analog fax accessory in the HP Color LaserJet CM6040 MFP Series.

1. Turn off the MFP, and unplug the power cord from the MFP

**Figure 1-26** Turning the power off

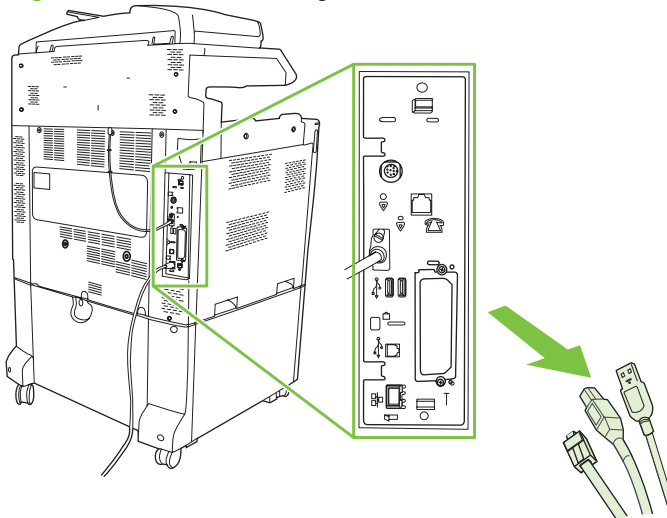


**Figure 1-27** Unplugging the power



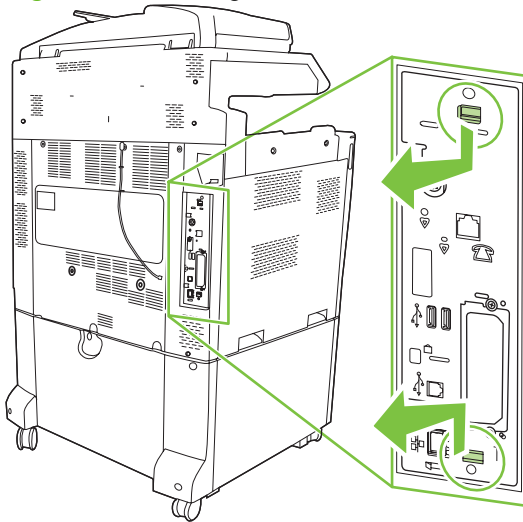
2. Disconnect all cables from the MFP.

**Figure 1-28** Disconnecting the cables



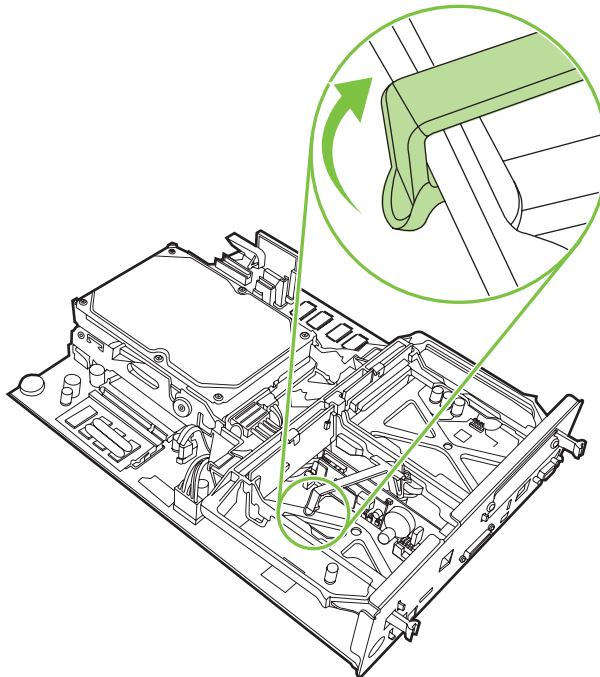
3. Pinch the black tabs at the top and bottom towards the center of the formatter board and then gently pull the board from the MFP. Place the formatter board on a clean, flat, grounded surface.

**Figure 1-29** Pulling the black tabs



4. Lift up on the left side of the fax card strap.

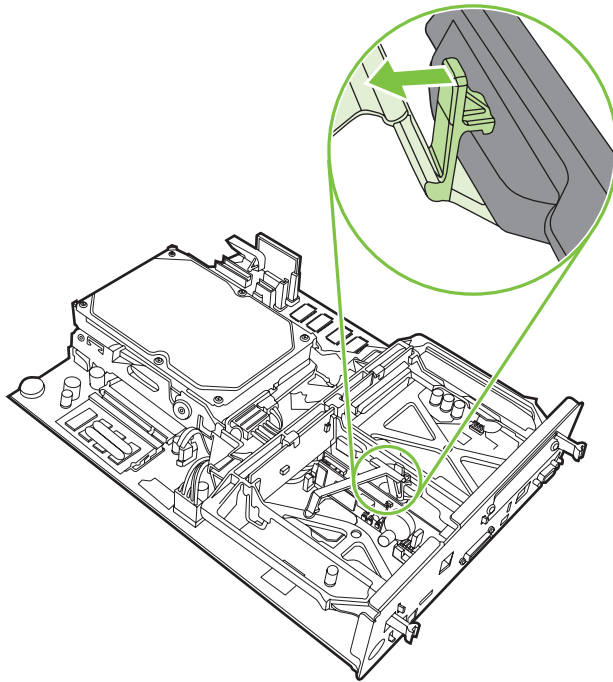
**Figure 1-30** Lifting up the left side of the fax card strap





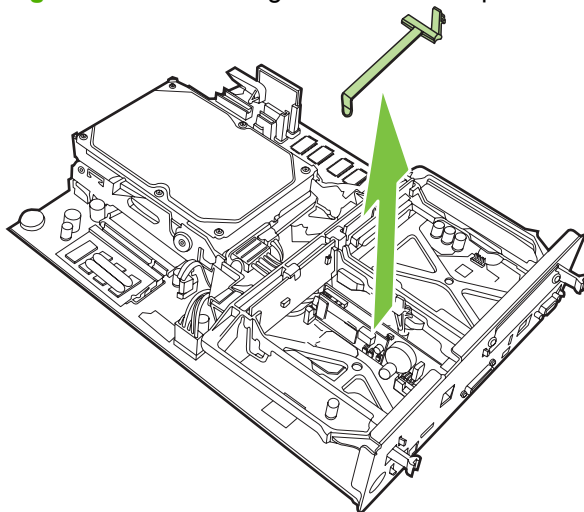
5. Push the tab on the right side of the fax card strap to the left.

**Figure 1-31** Releasing the tab to the left side of the fax card strap



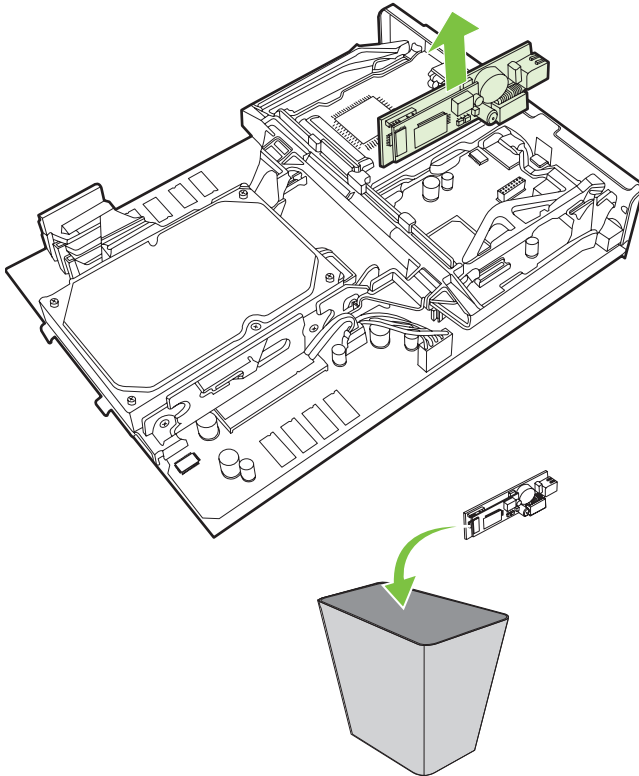
6. Lift up to remove the fax card strap.

**Figure 1-32** Removing the fax card strap



7. If you are replacing an existing fax accessory, pull up to remove it.

**Figure 1-33** Replacing an existing fax accessory



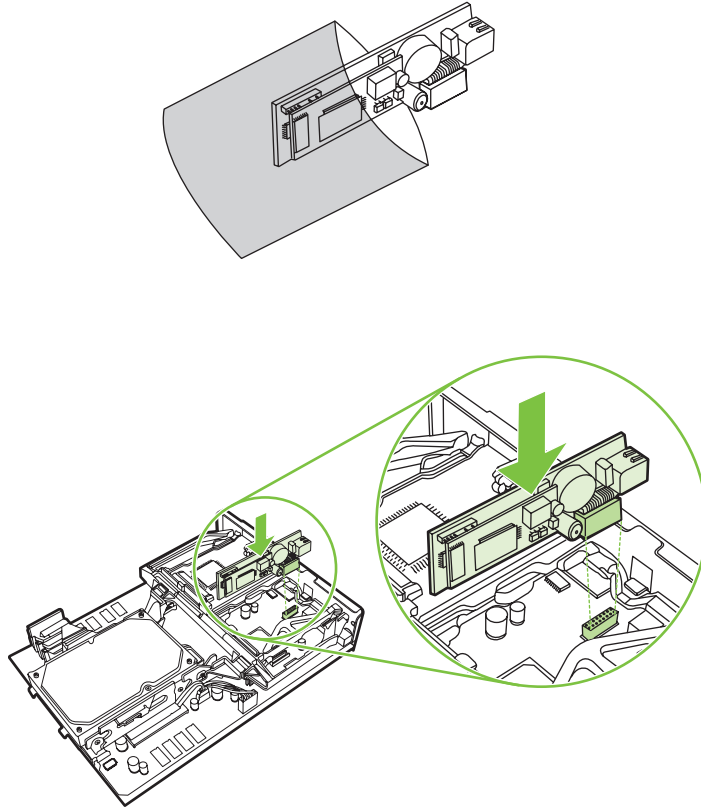
8. Remove the fax accessory from its antistatic pouch.



The fax accessory contains parts that are sensitive to electrostatic discharge (ESD). When removing the fax accessory from its antistatic pouch and while installing it, use static protection, such as a grounding wrist strap that is connected to the metal frame of the MFP, or touch the metal frame of the MFP with your other hand.

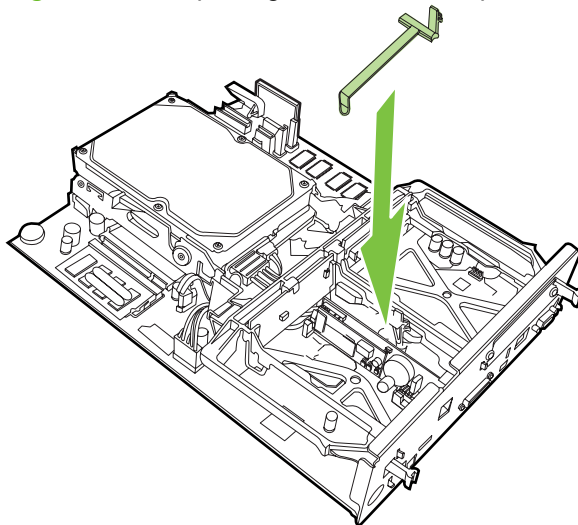
9. Align the fax accessory with the two guides. Make sure that the connector pins are aligned, and then push the fax accessory into place. Make sure that the fax accessory is securely connected to the formatter.

**Figure 1-34** Inserting the fax accessory



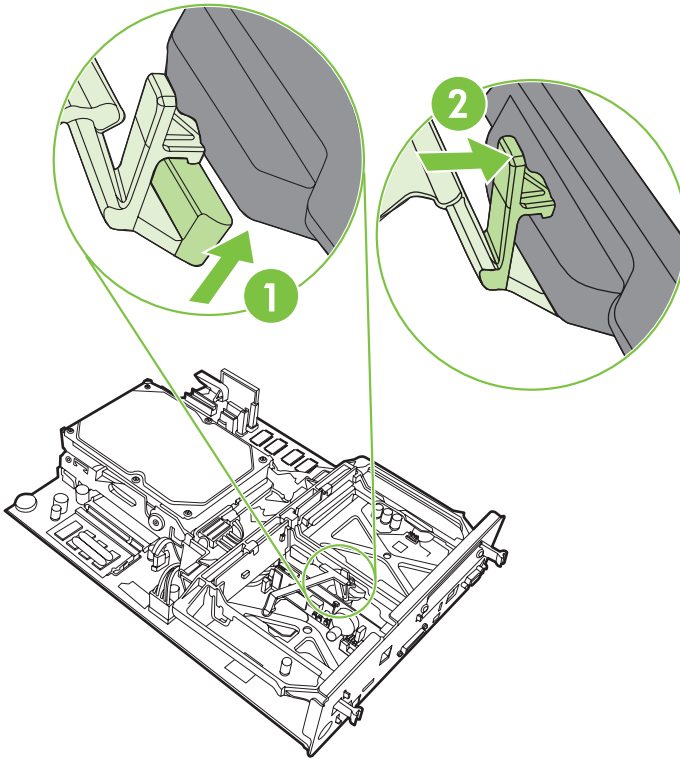
10. Replace the fax card strap.

**Figure 1-35** Replacing the fax card strap



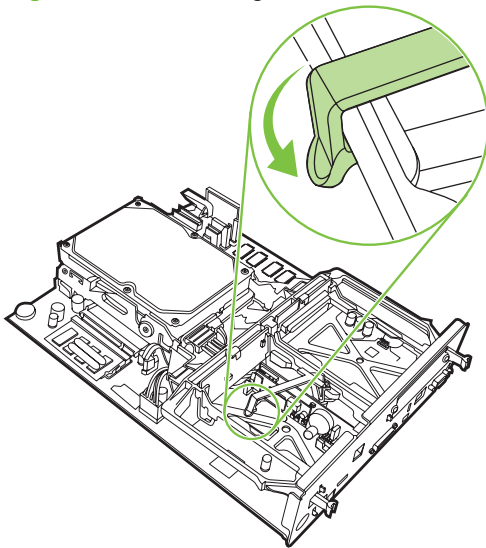
11. Secure the tab on the right side of the fax card strap.

**Figure 1-36** Securing the right side of the fax card strap tab



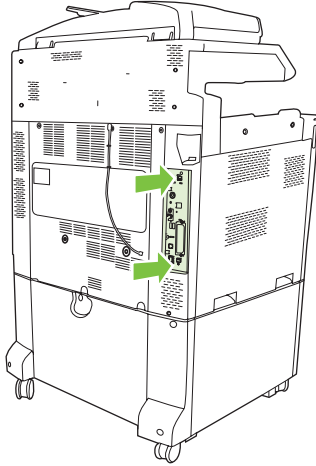
12. Secure the tab on the left side of the fax card strap.

**Figure 1-37** Securing the left side of the fax card strap tab



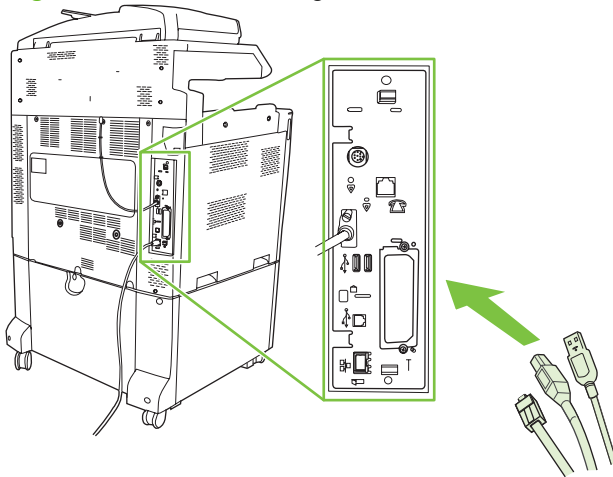
- Align the formatter board in the tracks at the top and bottom, and slide the board back into the MFP. Push black tabs on the formatter board outward until they click back into position.

**Figure 1-38** Aligning the formatter board



- Reconnect all the cables, and turn on the MFP.

**Figure 1-39** Reconnecting the cables

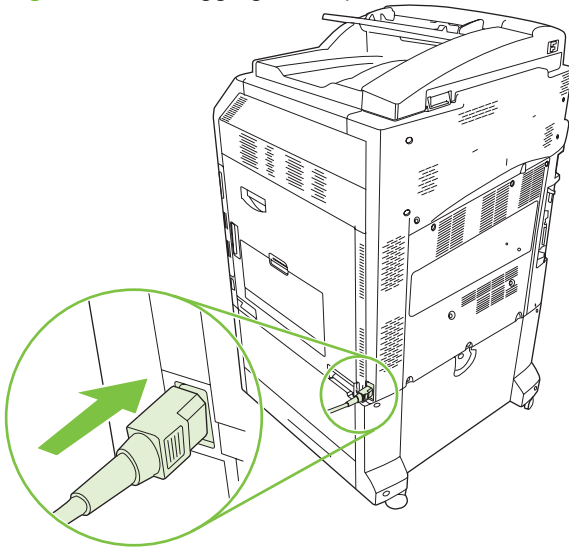


**NOTE:** When connecting the fax accessory to a phone line, ensure that the phone line being used for the fax accessory is a dedicated line that is not used by any other devices. Also, this line should be an analog line because the fax will not function correctly if it is connected to some digital PBX systems. If you are not sure whether you have an analog or digital phone line, contact your telecom provider.

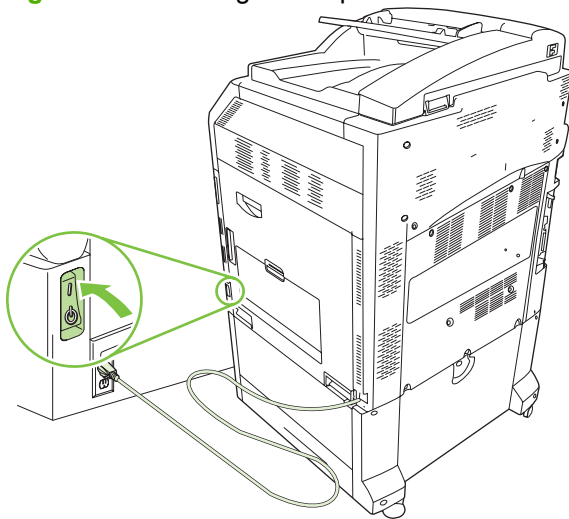
**NOTE:** HP recommends using the phone cord that comes with the fax accessory to ensure that the accessory functions correctly.

15. Plug the power cord into the MFP, and then turn on the power.

**Figure 1-40** Plugging in the power cord

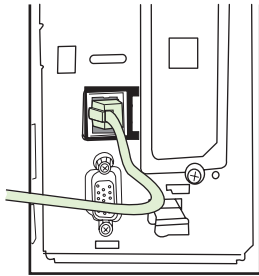


**Figure 1-41** Turning on the power



16. Locate the phone cord that is included with the fax accessory kit. Connect one end of the phone cord into the fax accessory phone jack that is on the formatter. Push the connector until you hear a click.

**Figure 1-42** Connecting the phone cord



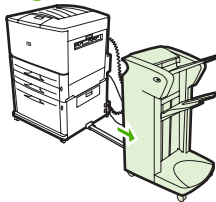
17. Connect the other end of the phone cord into the phone jack on the wall. Push the connector until you hear a click or until the connector is securely seated. Because there are different types of connectors, depending on the country/region, the connector might make an audible click when connected or might not make an audible click.

## Installing/replacing the fax accessory in the HP LaserJet M9040 MFP / M9050 MFP

Use this procedure to install the analog fax accessory in the HP LaserJet M9040 MFP / M9050 MFP.

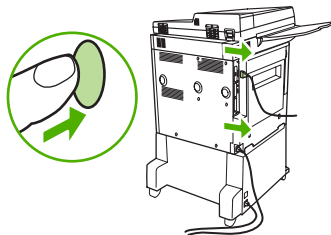
1. Slide the optional output device away from the print engine.

**Figure 1-43** Sliding away the output device



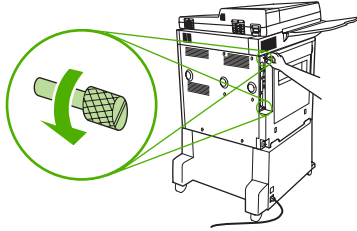
2. Turn off the MFP, and then disconnect the power cord and all cables.

**Figure 1-44** Turning the power off and disconnecting cables



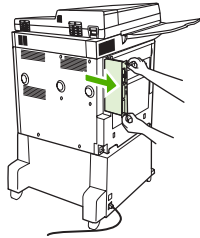
3. Loosen the two captive thumb screws on the back of the MFP.

**Figure 1-45** Loosening the screws



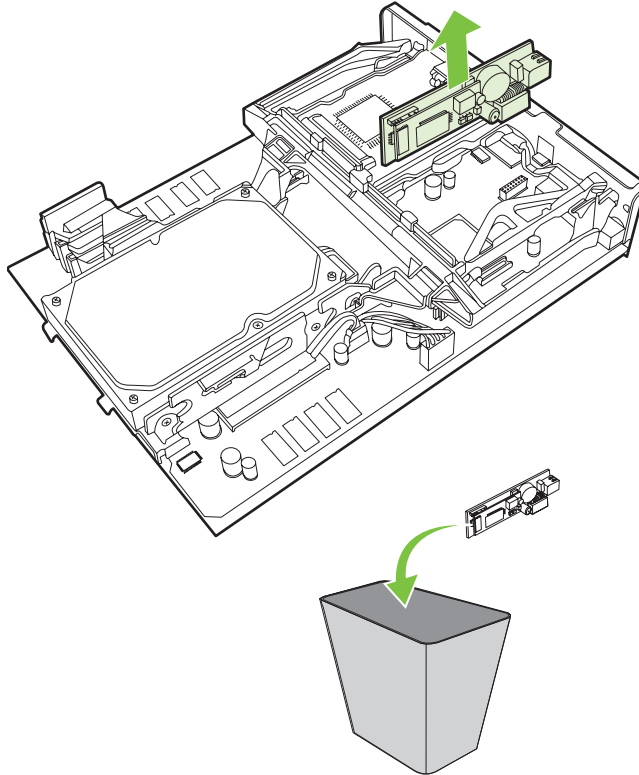
4. Grasp the screws and pull the formatter board out of the MFP. Place it on a flat, non-conductive surface.

**Figure 1-46** Removing the formatter



5. If you are replacing an existing fax accessory, pull up to remove it.

**Figure 1-47** Replacing an existing fax accessory





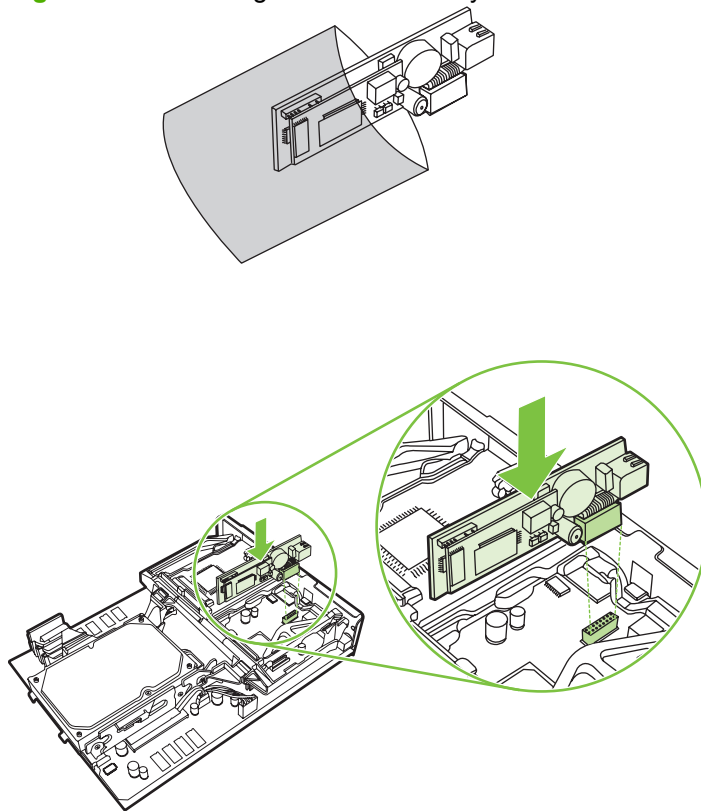
6. Remove the fax accessory from its antistatic pouch.



The fax accessory contains parts that are sensitive to electrostatic discharge (ESD). When removing the fax accessory from its antistatic pouch and while installing it, use static protection, such as a grounding wrist strap that is connected to the metal frame of the MFP, or touch the metal frame of the MFP with your other hand.

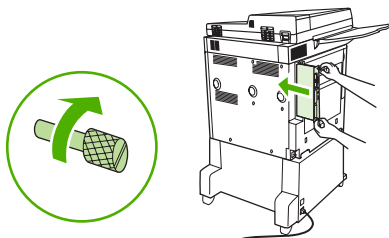
7. Align the fax accessory with the two guides. Make sure that the connector pins are aligned, and then push the fax accessory into place. Make sure that the fax accessory is securely connected to the formatter.

**Figure 1-48** Inserting the fax accessory



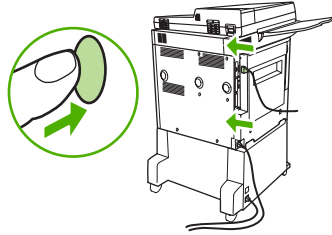
8. Slide the formatter board back into the MFP and tighten the two screws.

**Figure 1-49** Inserting the formatter



9. Reconnect the power cord and all cables, and then turn on the MFP.

**Figure 1-50** Reconnecting cables and turning on the MFP



---

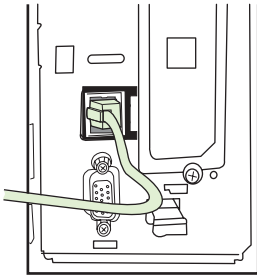
**NOTE:** When connecting the fax accessory to a phone line, ensure that the phone line being used for the fax accessory is a dedicated line that is not used by any other devices. Also, this line should be an analog line because the fax will not function correctly if it is connected to some digital PBX systems. If you are not sure whether you have an analog or digital phone line, contact your telecom provider.

**NOTE:** HP recommends using the phone cord that comes with the fax accessory to ensure that the accessory functions correctly.

---

10. Locate the phone cord that is included with the fax accessory kit. Connect one end of the phone cord into the fax accessory phone jack that is on the formatter. Push the connector until you hear a click.

**Figure 1-51** Connecting the phone cord



---

**NOTE:** Be sure to connect the phone line to the fax accessory port, which is near the top of the formatter. Do not connect the phone line to the HP Jetdirect LAN port, which is nearer the bottom of the formatter.


---

11. Connect the other end of the phone cord into the phone jack on the wall. Push the connector until you hear a click or until the connector is securely seated. Because there are different types of connectors, depending on the country/region, the connector might make an audible click when connected or might not make an audible click.

## Verifying fax operation

When the fax accessory is installed and operating correctly, the fax icon displays on the MFP control panel. If the fax accessory has just been installed but has not been configured, the fax icon is grayed-out and (depending on the MFP model) may have **Not Configured** written across it. If this occurs, the fax accessory needs to be configured, see [Required fax settings on page 36](#).


## Required fax settings

 **NOTE:** A Fax Configuration Wizard is available to guide you through the steps to make the required fax settings. For more information, see [Fax Configuration Wizard on page 36](#).

After the fax accessory is installed, you must configure certain settings before you can use the accessory. If these settings are not configured, the fax icon is grayed-out. These settings include:

- Date and time
- Location (country/region)
- Fax header (phone number and company name)

This information is used in the fax header, which is printed on all outgoing faxes.

 **NOTE:** When first installed, the fax accessory might read some of these settings from the MFP; therefore, a value may already be set. You should check the values to verify that they are set and correct.

**NOTE:** In the U.S. and many other countries/regions, setting the date, time, location, phone number, and company name is a legal requirement for fax.


## Fax Configuration Wizard

The Fax Configuration Wizard guides users through a step-by-step procedure to configure fax settings that are required to use the fax feature. If the settings are not configured, the fax feature is disabled. The following is a list of fax settings that are configured using the wizard:

- Location (country/region)
- Fax phone number
- Company name


This information is used in the fax header, which is printed on all outgoing faxes.

The wizard starts when the device is turned on. You can choose to use the wizard or exit the wizard to configure the settings at a later date.

 **NOTE:** The settings configured using the wizard on the control panel override any settings made in the embedded Web server.

## Accessing fax settings menu

The required fax settings are set by accessing the appropriate menu for your MFP.

 **NOTE:** If the fax menu settings do not appear in the menu listing, LAN fax may be enabled. When LAN fax is enabled, the analog fax accessory is disabled and the fax menu does not display. Only one fax feature, either LAN fax or analog fax, can be enabled at a time. The fax icon displays for either fax feature. If you wish to use analog fax when LAN fax is enabled, use the HP MFP Digital Sending Software Configuration Utility to disable LAN fax.

## Set or verify the date and time for the HP LaserJet 4345mfp and 9040/9050mfp, and the HP Color LaserJet 4730mfp and 9500mfp

The date and time setting for the fax accessory is the same value as the MFP date and time setting. If this is the first time you are powering up the MFP, you will be prompted for this information.

To verify or change the date and time settings, complete the following steps.

1. On the control panel, press the **Menu** button to display the main menu.
2. Touch **FAX** to display the fax menu.
3. Touch **FAX SETUP REQUIRED** to display the required settings menu.
4. Touch **DATE/TIME** to display the settings.
5. Select the date format and then enter the date.
6. Select the time format and then enter the time.
7. Touch **OK** to accept the settings.

## **Set or verify the date and time on the HP LaserJet M3035 MFP, M3027 MFP, M4345 MFP, M5025 MFP, M5035 MFP, M9040 MFP, M9050 MFP and HP Color LaserJet CM4730 MFP and CM6040 MFP Series**

The date and time setting for the fax accessory is the same value as the MFP date and time setting. If this is the first time you are powering up the MFP, you will be prompted for this information.

To verify or change the date and time settings, complete the following steps.

1. On the control panel, scroll to and touch the **Administration** icon to open the Administration menu.
2. Scroll to and touch **Initial Setup** to display the setup settings menu and then touch **Fax Setup**.
3. Touch **Required Settings**.
4. Select the date format and then enter the date.
5. Select the time format and then enter the time.
6. Touch **Save** to accept the settings.

## **Set, verify, or change the MFP/fax accessory country/region**

The location setting identifies the country/region where the MFP/fax accessory is located. This setting also sets the date/time format and minimum/maximum rings-to-answer range for the country/region. Because this setting is a legal requirement in some countries/regions, it must be set for the fax accessory to operate. If this is the first time you are powering up the printer, you will be prompted for this information.

### **Set, verify, or change the MFP/fax country/region on the HP LaserJet 4345mfp and 9040/9050mfp, and the HP Color LaserJet 4730mfp and 9500mfp**

1. On the control panel, press the **Menu** button to display the main menu.
2. Touch **FAX** to display the fax menu.
3. Touch **FAX SETUP REQUIRED** to display the required settings menu.
4. Touch **Fax Header** to display the header settings.
5. Touch **Location** to display the list of countries/regions.
6. Scroll through the list until your country/region is displayed, and then touch the country/region to select it.

## Set, verify, or change the MFP/fax location on the HP LaserJet M3025 MFP, M3027 MFP, M4345 MFP, M5025 MFP, M5035 MFP, M9040 MFP, M9050 MFP, and HP Color LaserJet CM4730 MFP and CM6040 MFP Series

1. On the control panel, scroll to and touch the **Administration** icon to open the Administration menu.
2. Scroll to and touch **Initial Setup** to display the setup settings menu.
3. Touch **Fax Setup** to display the Fax Setup menu and touch **Required Settings**.
4. Touch **Location** to display the list of countries/regions.
5. Scroll through the list until your country/region is displayed, and then touch the country/region to select it.
6. Touch **Save** to save the settings.

## Set the fax header

The fax header setting is used to set a phone number and company name that are placed in the fax header. This information is required and must be set.

If the fax icon is displayed on the control panel screen and does not have **Not Configured** written across and/or is not grayed, you have completed all necessary setup. To send a fax, see [Use Fax on page 65](#) for information about sending faxes.

## Set, verify, or change the fax header on the HP LaserJet 4345mfp and 9040/9050mfp, and the HP Color LaserJet 4730mfp and 9500mfp outgoing faxes

1. On the control panel, press the **Menu** button to display the main menu.
2. Touch **FAX** to display the fax menu.
3. Touch **FAX SETUP REQUIRED** to display the required settings menu.
4. Touch **Fax Header** to display the settings.
5. Touch **Phone Number** to display the keyboard.
6. Enter a phone number, and then touch **OK** to return to the Fax Header menu.
7. Touch **Company Name** to display the keyboard.
8. Type the company name, and then touch **OK** to complete the setting.

## Set, verify, or change the fax header on the HP LaserJet M3025 MFP, M3027 MFP, M4345 MFP, M5025 MFP, M5035 MFP, M9040 MFP, M9050 MFP and HP Color LaserJet CM4730 MFP and CM6040 MFP Series

1. On the control panel, scroll to and touch the **Administration** icon to open the Administration menu.
2. Scroll to and touch **Initial Setup** to display the Initial Setup menu.
3. Touch **Fax Setup** to display the Fax Setup menu.
4. Touch **Required Settings** to display the Required Settings menu.
5. Touch **Fax Header Information** to display the header information.
6. Touch **Phone Number** to display the Phone Number screen.
7. Touch the text box to display the keyboard.

8. Using the keyboard, type the phone number, and then touch **OK**.
9. Touch **Save** to save the header phone number.
10. Touch **Company Name** and repeat the process.






---

## 2 Set fax settings

This chapter describes the configuration settings for the MFP fax accessory that you access through the fax menu on the control panel. In addition to the control panel, you can access these settings through remote configuration tools.


---

 **NOTE:** For information about the following settings, see [Setup on page 1](#). The following fax settings are described in the first chapter and are not included here: Canceling faxes; Setting the date and time; Setting the location; Setting the header.

---

## Remote fax configuration

In addition to using the MFP control panel, you can configure the fax accessory remotely by using various software tools. Because the MFP contains an embedded Web server (EWS), you can configure the fax accessory across the Web by using either a Web browser or HP Web Jetadmin (WJA). In addition, you can configure the fax accessory across the network with a network-connected computer by using the HP MFP Digital Sending Software Configuration Utility (DSS). These tools provide access to most of the fax accessory configuration settings that available from the MFP fax menu, as described in this document.


 **NOTE:** The DSS configuration utility can disable or enable the analog-fax feature on the MFP. If the DSS configuration utility disables the analog fax and then the MFP is detached from the configuration utility, you will not see Send to Fax in the EWS or WJA Digital Sending menu. If this happens, enable the analog fax for the MFP by using the DSS configuration utility.

### Web browser

The MFP contains an embedded Web server (EWS). The EWS allows you to use a Web browser to access and set the analog-fax settings, described in this chapter.

To use a Web browser to access the EWS fax setting screens, perform the following steps.

1. Type the IP address of the MFP in the browser URL address bar and press **Enter** to open the EWS Configure MFP screen. To get the IP address of the MFP, print an MFP Configuration page.

 **NOTE:** If DSS is being used, a message appears on EWS indicating that DSS is in control. The only way to change settings is through DSS.

2. Click the **Digital Sending** tab.
3. Click the **Send Fax** tab to open the Fax configuration settings screen.
4. On the Fax Settings screen make any changes to the settings and click **OK** to accept the settings. Select **Advanced** to open the Advanced MFP Modem Settings screen for additional fax settings. For information about the settings, see the setting descriptions in this guide.
5. After you have made changes to the settings, click **OK** to accept the settings.

### HP Web Jetadmin

To access the MFP analog-fax settings by using HP Web Jetadmin, perform the following steps. For detailed information about HP Web Jetadmin, see the **HP Web Jetadmin Reference Manual**.

1. Start HP Web Jetadmin.
2. In the **At a Glance** text box, type the IP address of the MFP in the **Quick Device Find** text box, and then click **Go** to see the device status in the right pane. Select **Digital Sending and Fax** from the status drop-down menu in that pane.
3. Configure the options in the **Fax Settings** or the **Advanced Fax Settings** sections. For information about a specific setting, select the context help next to the setting.
4. After you have made changes to the settings, click **Apply** to accept the settings.

In addition to configuring a single MFP, you can also perform multiple device configuration. Multiple device mode configures several MFPs at once. For information about this feature, see the **HP Web Jetadmin Reference Manual**.

## HP MFP Digital Sending Software Configuration Utility

To access the analog MFP fax settings by using the DSS configuration utility, perform the following steps.


1. Start the utility (on the computer or server) to open the main screen.
2. Select the MFP and click the **Configure MFP** button on the main screen, and then click the Send to Fax tab to open the Fax Settings screen.
3. To enable the fax capabilities on the MFP, select **Enable Send to Fax**. To access Analog-fax settings, select directly from the MFP's internal modem in the **Send Faxes** drop-down list. On the Fax Settings screen make any changes to the settings and click **OK** to accept the settings. Select **Advanced** to open the Advanced MFP Modem Settings screen for additional fax settings.

For information about these settings, see the setting descriptions in this guide.

4. After you have made changes to the settings, click **OK** to accept the settings.

In addition to configuring a single MFP, you can also configure multiple devices. For more information about the HP MFP Digital Sending Software Configuration Utility, see the **HP MFP Digital Sending Software User Guide** or the **HP MFP Digital Sending Software Support Guide**.

---

 **NOTE:** Depending on the capabilities and settings of your fax method, some of these options might not be available or configurable.

---

# Send fax settings

## Set the dial tone detection

The detect dial tone setting determines whether the fax checks for a dial tone before sending a fax.

### Set the dial tone detection on the HP LaserJet 4345mfp and 9040/9050mfp, and the HP Color LaserJet 4730mfp and 9500mfp


1. On the control panel, press the **Menu** button to open the main menu.
2. Touch **FAX** to open the fax menu.
3. Scroll to and touch **FAX SEND**.
4. Scroll to and touch **Detect Dial Tone** to see the detect dial tone settings.
5. Touch **OFF** (default) to disable dial tone detection, or touch **ON** to enable dial tone detection.

### Set the dial tone detection on the HP LaserJet M3025 MFP, M3027 MFP, M4345 MFP, M5025 MFP, M5035 MFP, M9040 MFP, M9050 MFP and HP Color LaserJet CM4730 MFP and CM6040 MFP Series

1. On the control panel, scroll to and touch the **Administration** icon to open the Administration menu.
2. Scroll to touch **Initial Setup** to open the initial setup menu.
3. Touch **Fax Setup** to open the fax setup menu.
4. Touch **Fax Send Settings** and use the down arrow key to scroll to **Detect Dial Tone**.
5. Touch **Enabled** (default) to enable dial tone detection, or touch **Disabled** to disable dial tone detection.

## Set the overlay header (outgoing faxes)

The overlay header consists of the date, time, company name, phone number, and page number and is printed at the top of the page on outgoing faxes. This setting determines whether the header is appended to the top of the page or is printed as an overlay. If the header is appended to the top of a page, it moves page data down which can result in data at the bottom of a page being pushed to another page, possibly printing an additional page. If the header is printed as an overlay, it does not push any page data, but might print over data at the top of the page.

 **NOTE:** When fax forwarding is enabled, the overlay header is always appended to the top of the page, even if overlay is enabled.

### Set the overlay header for outgoing faxes on the HP LaserJet 4345mfp and 9040/9050mfp, and the HP Color LaserJet 4730mfp and 9500mfp

1. On the control panel, press the **Menu** button to open the main menu.
2. Touch **FAX** to open the fax menu.
3. Scroll to and touch **FAX SEND**.
4. Touch **OVERLAY HEADER** to see the header settings.
5. Touch **Yes** to print the header as an overlay, or touch **No** (default) to append the header to the top of the page.

### Set the overlay header for outgoing faxes on the HP LaserJet M3025 MFP, M3027 MFP, M4345 MFP, M5025 MFP, M5035 MFP, M9040 MFP, M9050 MFP and HP Color LaserJet CM4730 MFP and CM6040 MFP Series

1. On the control panel, touch the **Administration** icon to open the Administration menu.
2. Scroll to and touch **Default Job Options**
3. Scroll to and touch **Default Fax Options**.
4. Scroll to and touch **FAX SEND**.
5. Touch **Fax Header** to see the header settings.
6. Touch **Overlay** to print the header as an overlay, or touch **Prepend** (default) to append the header to the top of the page.
7. Touch **Save**.

### Set the dialing mode

The dialing mode setting sets the type of dialing that is used: either tone (touch-tone phones) or pulse (rotary-dial phones).

To set the dialing mode, perform the following steps.

### Set the dialing mode on the HP LaserJet 4345mfp and 9040/9050mfp, and the HP Color LaserJet 4730mfp and 9500mfp

1. On the control panel, press the **Menu** button to open the main menu.
2. Touch **FAX** to open the fax menu.
3. Scroll to and touch **FAX SEND**. Use the down arrow key to scroll to **Dialing Mode**.
4. Touch **Dialing Mode** to see the dialing mode settings.
5. Touch **Tone** (default) to set the fax for tone dialing, or touch **Pulse** to set the fax for pulse dialing.


### Set the dialing mode on the HP LaserJet M3025 MFP, M3027 MFP, M4345 MFP, M5025 MFP, M5035 MFP, M9040 MFP, M9050 MFP and HP Color LaserJet CM4730 MFP and CM6040 MFP Series

1. On the control panel, scroll to and touch the **Administration** icon to open the Administration menu.
2. Scroll to touch **Initial Setup** to open the initial setup menu.
3. Touch **Fax Setup** to open the fax setup menu.
4. Touch **Fax Send Settings** and use the down arrow key to scroll to **Dialing Mode**.
5. Touch **Dialing Mode** to see the dialing mode settings.
6. Touch **Tone** (default) to set the fax for tone dialing, or touch **Pulse** to set the fax for pulse dialing.
7. Touch **Save**.

### Set a dialing prefix

The dialing prefix setting allows you to enter a prefix number (such as a "9" to access an outside line) when dialing. This prefix number is automatically added to all phone numbers when dialed.

---

 **NOTE:** You might need a pause between the prefix and the phone number. To insert a 2-second pause, enter a comma (,). For more information on using a comma see [Send a fax on page 70](#).

---


### Set a dialing prefix on the HP LaserJet 4345mfp and 9040/9050mfp, and the HP Color LaserJet 4730mfp and 9500mfp

1. On the control panel, press the **Menu** button to open the main menu.
2. Touch **FAX** to open the fax menu.
3. Scroll to and touch **FAX SEND**.
4. Scroll to and touch **DIAL PREFIX** to see the prefix settings.
5. Touch **OFF** (default) to disable dialing prefix, or touch **Custom** to make the keyboard available, and type a prefix.
6. Type the prefix number(s), and then touch **OK**.

### Set a dialing prefix on the HP LaserJet M3025 MFP, M3027 MFP, M4345 MFP, M5025 MFP, M5035 MFP, M9040 MFP, M9050 MFP and HP Color LaserJet CM4730 MFP and CM6040 MFP Series

1. On the control panel, scroll to and touch the **Administration** icon to open the Administration menu.
2. Scroll to touch **Initial Setup** to open the initial setup menu.
3. Touch **Fax Setup** to open the fax setup menu.
4. Touch **Fax Send Settings** and use the down arrow key to scroll to **Dialing Prefix** to see the dialing prefix settings.
5. Touch **Custom** to enter a dialing prefix number.

---

 **NOTE:** If you want to disable the dialing prefix, touch **OFF** (default), touch **Save**, and then skip the remaining steps.

---

6. Touch **Save** to open the **Set Dialing Prefix** screen.
7. Touch **Dialing Prefix Number**.
8. Touch the text box to display the keyboard.
9. Type the dialing prefix number and touch **OK**.
10. Touch **Save**.

## Set the redial rules

### Set redial-on-busy

The redial-on-busy setting selects the number of times (0 through 9) the fax accessory redials a number when the number is busy. The interval between retries is set by the Redial Interval setting.

### Set the redial-on-busy setting on the HP LaserJet 4345mfp and 9040/9050mfp, and the HP Color LaserJet 4730mfp and 9500mfp

1. On the control panel, press the **Menu** button to open the main menu.
2. Touch **FAX** to open the fax menu.

3. Scroll to and touch **FAX SEND**.
4. Touch **Redial on Busy** to open the redial-on-busy setting screen.
5. Use the up and down arrows to select the number (default=3), and then touch **OK**.

**Set the redial-on-busy setting on the HP LaserJet M3025 MFP, M3027 MFP, M4345 MFP, M5025 MFP, M5035 MFP, M9040 MFP, M9050 MFP and HP Color LaserJet CM4730 MFP and CM6040 MFP Series**

1. On the control panel, scroll to and touch the **Administration** icon to open the Administration menu.
2. Scroll to touch **Initial Setup**.
3. Scroll to touch **Fax Setup**.
4. Touch **Fax Send Settings** and use the down arrow key to scroll to **Redial on Busy**.
5. Touch the text box to display the keyboard.
6. Enter the value (0–9) and touch **OK**.
7. Touch **Save**.

### Set redial-on-no-answer

The redial-on-no-answer setting selects the number of times the fax accessory redials if the number dialed does not answer. The number of retries is either 0 to 1 (used in the U.S.) or 0 to 2, depending on the country/region setting. The interval between retries is set by the redial interval setting.

**Set the redial-on-no-answer setting on the HP LaserJet 4345mfp and 9040/9050mfp, and the HP Color LaserJet 4730mfp and 9500mfp**

1. On the control panel, press the **Menu** button to open the main menu.
2. Touch **FAX** to open the fax menu.
3. Scroll to and touch **FAX SEND**.
4. Scroll to and touch **Redial on No Answer** to open the setting screen.
5. Use the up and down arrows to select the number (default=0), and then touch **OK**.


**Set the redial-on-busy setting on the HP LaserJet M3025 MFP, M3027 MFP, M4345 MFP, M5025 MFP, M5035 MFP, M9040 MFP, M9050 MFP and HP Color LaserJet CM4730 MFP and CM6040 MFP Series**

1. On the control panel, scroll to and touch the **Administration** icon to open the Administration menu.
2. Scroll to touch **Initial Setup** to open the initial setup menu.
3. Scroll to touch **Fax Setup** to open the fax setup menu.
4. Touch **Fax Send Settings** and use the down arrow key to scroll to **Redial on No Answer**.
5. Touch **Never** or **Once**.
6. Touch **Save**.

## Set redial interval

The redial interval setting selects the number of minutes between retries if the number dialed is busy or not answering.

---

 **NOTE:** You might observe a redial message on the control panel when both the **Redial-on-Busy** and **Redial-on-No-Answer** settings are set to off. This occurs when the fax accessory dials a number, establishes a connection, and then loses the connection. As a result of this error condition, the fax accessory performs two automatic redial attempts regardless of the redial settings (the first one at 26,400 bps and, if that fails, a second one at 14,400 bps). During this redial operation, a message appears on the control panel to indicate that a redial is in progress.

---

### Set the redial-interval on the HP LaserJet 4345mfp and 9040/9050mfp, and the HP Color LaserJet 4730mfp and 9500mfp

1. On the control panel, press the **Menu** button to open the main menu.
2. Touch **FAX** to open the fax menu.
3. Scroll to and touch **FAX SEND**.
4. Scroll to and touch **Redial Interval** to open the setting screen.
5. Use the up and down arrows to select the number (1 through 5 minutes; default=5), and then touch **OK**.


### Set the redial interval on the HP LaserJet M3025 MFP, M3027 MFP, M4345 MFP, M5025 MFP, M5035 MFP, M9040 MFP, M9050 MFP and HP Color LaserJet CM4730 MFP and CM6040 MFP Series

1. On the control panel, scroll to and touch the **Administration** icon to open the Administration menu.
2. Scroll to touch **Initial Setup** to open the initial setup menu.
3. Touch **Fax Setup** to open the fax setup menu.
4. Touch **Fax Send Settings** and use the down arrow key to scroll to **Redial Interval**.
5. Touch the text box to display the keyboard.
6. Enter the value (1–5) and touch **OK**.
7. Touch **Save**.

## Set the outgoing fax resolution

The outgoing fax resolution setting determines the maximum resolution supported by the receiving fax. The fax accessory uses the highest possible resolution (as limited by this setting) and the maximum resolution of the receiving fax.

---

 **NOTE:** Faxes wider than 21.25 cm (8.5 inches) are automatically sent by using standard or fine resolution, to reduce phone time.

**NOTE:** The default resolution setting is a lower dpi than previous MFP model default resolution settings. For example, previous MFP models had a default resolution of FINE (200 x 200 dpi).

**NOTE:** The higher the resolution, the longer the transmission time required.

---



### Set the resolution for outgoing faxes on the HP LaserJet 4345mfp and 9040/9050mfp, and the HP Color LaserJet 4730mfp and 9500mfp

1. On the control panel, press the **Menu** button to open the main menu.
2. Touch **FAX** to open the fax menu.
3. Scroll to and touch **FAX SEND**.
4. Touch **DEFAULT RESOLUTION** to see the resolution settings.
5. Touch **Standard** (200 x 100 dpi, default), **Fine** (200 x 200 dpi), or **Superfine** (300 x 300 dpi) to select the resolution.

### Set the resolution for outgoing faxes on the HP LaserJet M3025 MFP, M3027 MFP, M4345 MFP, M5025 MFP, M5035 MFP, M9040 MFP, M9050 MFP, and HP Color LaserJet CM4730 MFP and CM6040 MFP Series

1. On the control panel, scroll to and touch the **Administration** icon to open the Administration menu.
2. Touch **Default Job Options**
3. Touch **Default Fax Options**
4. Scroll to and touch **FAX SEND**.
5. Touch **Resolution** to see the resolution settings.
6. Touch **Standard** (200 x 100 dpi, default), **Fine** (200 x 200 dpi), or **Superfine** (300 x 300 dpi) to select the resolution.
7. Touch **Save**.

## Set billing codes

The billing-code setting, when enabled, prompts the user to enter a number when sending a fax. This number is placed in the billing-code report. To view the billing-code report, either print the report or query it by using an application.

### Set billing codes on the HP LaserJet 4345mfp and the HP Color LaserJet 4730mfp, 9040/9050mfp, and 9500mfp


1. On the control panel, press the **Menu** button to open the main menu.
2. Touch **FAX** to open the fax menu.
3. Scroll to and touch **FAX SEND** to see the Fax Send settings.
4. Scroll to and touch **BILLING CODE** to see the billing code settings.
5. Touch **Custom** to open the billing-code screen. Use the up and down arrows to select the minimum number of digits that you want in the billing code, and then touch **OK** to enable billing codes. To disable billing codes, touch **OFF** (default).

### Set billing codes on the HP LaserJet M3025 MFP, M3027 MFP, M4345 MFP, M5025 MFP, M5035 MFP, M9040 MFP, M9050 MFP and HP Color LaserJet CM4730 MFP and CM6040 MFP Series

1. On the control panel, scroll to and touch the **Administration** icon to open the Administration menu.
2. Scroll to and touch **Initial Setup** and then **Fax Setup** to open the fax menu.

3. Touch **Fax Send Settings** to see the Fax Send settings.
4. Scroll to and touch **Billing Codes** to see the billing code settings.
5. Touch **Custom** to enable billing codes.

---

 **NOTE:** If you want to disable billing codes, touch **OFF**, touch **Save**, and then skip the remaining steps.


---

6. Touch **Save** to open the **Billing Code** screen.
7. Touch the text box to display the keyboard.
8. Type the minimum number of digits you want in the billing code, and then touch **OK**.
9. Touch **Save**.

## Set the JBIG compression mode

Enabling JBIG compression can reduce phone-call charges by reducing fax transmission time and is, therefore, the preferred setting. However, JBIG might cause compatibility problems when communicating with some older fax machines, in which case you might need to disable it.

---

 **NOTE:** JBIG compression only works when both the sending and receiving machines have JBIG compression.

---

To enable or disable JBIG compression, perform the following steps.

### Set the JBIG compression mode on the HP LaserJet 4345mfp and 9040/9050mfp, and the HP Color LaserJet 4730mfp and 9500mfp

1. On the control panel, press the **Menu** button to open the main menu.
2. Touch **FAX** to open the fax menu.
3. Touch **FAX SETUP OPTIONAL** to see the optional setup items.
4. Touch **JBIG Compression** to see the settings.
5. Touch **ON** (default) to enable JBIG compression, or touch **OFF** to disable JBIG compression.

### Set the JBIG compression mode on the HP LaserJet M3025 MFP, M3027 MFP, M4345 MFP, M5025 MFP, M5035 MFP, M9040 MFP, M9050 MFP and HP Color LaserJet CM4730 MFP and CM6040 MFP Series

1. On the control panel, scroll to and touch the **Administration** icon to open the Administration menu.
2. Scroll to and touch **Initial Setup**.
3. Scroll to and touch **Fax Setup**.
4. Scroll to and touch **Fax Send Settings**.
5. Touch **JBIG Compression** to see the settings.
6. Touch **Enable** (default) to enable JBIG compression, or touch **Disabled** to disable JBIG compression.

## Change the sharpness setting

The Sharpness setting specifies the sharpness that the scanner uses when the MFP scans your original. Sharpness enhances the edges of the original so that faint or fine text and graphics are reproduced more sharply. Increasing sharpness increases resolution which also increases transmission time.

### Change the sharpness setting on the HP LaserJet 4345 MFP and 9040/9050mfp, and the HP Color LaserJet 4730mfp and 9500mfp

1. On the control panel main screen, touch the **FAX** icon to open the Fax screen.
2. Touch **Settings** to open the Settings screen.
3. Touch the **Fax Settings** icon to open the Fax Settings screen.
4. On the ENHANCE tab, touch the left arrow to decrease the sharpness or touch the right arrow to increase the sharpness of the image.
5. Touch **OK** to accept the setting.

### Change the sharpness setting on the HP LaserJet M3025 MFP, M3027 MFP, M4345 MFP, M5025 MFP, M5035 MFP, M9040 MFP, M9050 MFP and HP Color LaserJet CM4730 MFP and CM6040 MFP Series

1. On the control panel, touch the **FAX** icon to display the Fax screen.
2. Scroll to and touch **More Options**.
3. Scroll to and touch **Image Adjustment**.
4. Scroll to and touch **Sharpness**.
5. Touch the left arrow to decrease the sharpness or touch the right arrow to increase the sharpness of the image.
6. Touch **OK** to accept the setting.

## Change the background setting

If you are faxing a document that is printed on colored paper, you can enhance your fax copy quality by removing the background that might cause your fax copy to streak or blur.

### Change the background setting on the HP LaserJet 4345mfp and 9040/9050mfp, and the HP Color LaserJet 4730mfp and 9500mfp

1. On the control panel main screen, touch the **FAX** icon to open the Fax screen.
2. Touch **Settings** to open the Settings screen.
3. Touch the **Fax Settings** icon to open the Fax Settings screen.
4. On the ENHANCE tab, touch the left arrow to increase background or touch the right arrow to decrease the background.
5. Touch **OK** to accept the setting.

### **Change the background setting on the HP LaserJet M3025 MFP, M3027 MFP, M4345 MFP, M5025 MFP, M5035 MFP, M9040 MFP, M9050 MFP and HP Color LaserJet CM4730 MFP and CM6040 MFP Series**

1. On the control panel, touch the **FAX** icon to display the Fax screen.
2. Scroll to and touch **More Options**.
3. Scroll to and touch **Image Adjustment**.
4. Scroll to and touch **Background Cleanup**.
5. Touch the left arrow or touch the right arrow to change the background setting.
6. Touch **OK** to accept the setting.

## **Change the light/dark setting**

The light/dark setting adjusts how light or dark the transmitted image appears on the recipient fax machine.

### **Change the light/dark setting on the HP LaserJet 4345mfp and 9040/9050mfp, and the HP Color LaserJet 4730mfp and 9500mfp**

1. On the control panel main screen, touch the **FAX** icon to open the Fax screen.
2. Touch **Settings** to open the Settings screen.
3. Touch the **Light** arrow to lighten the image or touch the **Dark** arrow to darken the image.
4. Touch **OK** to accept the setting.

### **Change the light/dark setting on the HP LaserJet M3025 MFP, M3027 MFP, M4345 MFP, M5025 MFP, M5035 MFP, M9040 MFP, M9050 MFP and HP Color LaserJet CM4730 MFP and CM6040 MFP Series**

1. On the control panel, touch the **FAX** icon to display the Fax screen.
2. Scroll to and touch **More Options**.
3. Scroll to and touch **Image Adjustment**.
4. Scroll to and touch **Darkness**.
5. Touch the left arrow to make the image lighter and touch the right arrow to make the image darker.
6. Touch **OK** to accept the setting.

## **Activate Fax Number Confirmation**

When fax number confirmation is enabled, the fax number must be entered twice to ensure that it was entered correctly. The default setting for this feature is **Disabled**.

### **Activate Fax Number Confirmation on the HP LaserJet M3025 MFP, M3027 MFP, M4345 MFP, M5025 MFP, M5035 MFP, M9040 MFP, M9050 MFP and HP Color LaserJet CM4730 MFP and CM6040 MFP Series**

1. On the control panel, touch the **Administration** icon to open the Administration menu.
2. Scroll to and touch **Initial Setup** and then **Send Setup**.
3. Scroll to and touch **Fax Number Confirmation**.

4. Touch **Enable**.
5. Touch **Save**.

## Activate Fax Number Speed Dial Matching

If this feature is enabled, the MFP tries to match any fax number entered with existing entries in the speed dial list. If a match is found, you can confirm the match and have the MFP complete the faxing action automatically. The default setting for this feature is **Disabled**.


### Activate Fax Number Speed Dial Matching on the HP LaserJet M3025 MFP, M3027 MFP, M4345 MFP, M5025 MFP, M5035 MFP, M9040 MFP, M9050 MFP and HP Color LaserJet CM4730 MFP and CM6040 MFP Series

1. On the control panel, touch the **Administration** icon to open the Administration menu.
2. Scroll to and touch **Initial Setup** and then **Send Setup**.
3. Scroll to and touch **Fax Number Speed Dial Matching**.
4. Touch **Enable**.
5. Touch **Save**.

# Receive fax settings

## Set rings-to-answer

The rings-to-answer setting determines the number of times the phone rings before the call is answered by the fax accessory.

 **NOTE:** The default setting range for rings-to-answer is country/region-specific.

---

### Set the number of rings-to-answer on the HP LaserJet 4345mfp and 9040/9050mfp, and the HP Color LaserJet 4730mfp and 9500mfp

1. On the control panel, press the **Menu** button to open the main menu.
2. Touch **FAX** to open the fax menu.
3. Scroll to and touch **FAX RECEIVE**.
4. Touch **Rings To Answer** to open the rings-to-answer screen.
5. Use the up and down arrows to select the number of rings, and then touch **OK**.

### Set the number of rings-to-answer on the HP LaserJet M3025 MFP, M3027 MFP, M4345 MFP, M5025 MFP, M5035 MFP, M9040 MFP, M9050 MFP and HP Color LaserJet CM4730 MFP and CM6040 MFP Series

1. On the control panel, touch the **Administration** icon to open the Administration menu.
2. Scroll to and touch **Initial Setup** and then **Fax Setup** to open the fax menu.
3. Scroll to and touch **Fax Receive Settings**.
4. Touch **Rings To Answer** to open the rings-to-answer screen.
5. Use the up and down arrows to select the number of rings (the default is 2), and then touch **OK**.
6. Touch the text box to display the keyboard.
7. Type the number of rings (1–9), and then touch **OK**.
8. Touch **Save**.

## Stamp received faxes (incoming faxes)

The stamp received faxes setting enables or disables stamping incoming faxes. The stamp prints the date, time, phone number, and page number on each incoming page.

### Stamp received faxes (incoming faxes) on the HP LaserJet 4345mfp and 9040/9050mfp, and the HP Color LaserJet 4730mfp and 9500mfp

1. On the control panel, press the **Menu** button to open the main menu.
2. Touch **FAX** to open the fax menu.
3. Scroll to and touch **FAX RECEIVE** to see the Fax Receive setting.
4. Scroll to and touch **Stamp Received Faxes** to see the settings.
5. Touch **No** (default) to disable the stamp, or touch **Yes** to enable the stamp.

### Stamp received faxes (incoming faxes) on the HP LaserJet M3025 MFP, M3027 MFP, M4345 MFP, M5025 MFP, M5035 MFP, M9040 MFP, M9050 MFP and HP Color LaserJet CM4730 MFP CM6040 MFP Series

1. On the control panel, scroll to and touch the **Administration** icon to open the Administration menu.
2. Touch **Default Job Options** and then **Default Fax Options**.
3. Touch **Fax Receive** to see the Fax Receive setting.
4. Touch **Stamp Received Faxes** to see the settings.
5. Touch **Disabled** (default) to disable the stamp, or touch **Enabled** to enable the stamp.
6. Touch **Save**.

## Set fit-to-page

When selecting a page size to print a fax, the MFP determines the closest page size that matches the intended size from sizes available in the MFP. If the fit-to-page setting is enabled and the received image is larger than that page size, the MFP attempts to scale the image to fit the page. If this setting is disabled, an incoming image larger than the page splits across pages.

### Set fit-to-page on the HP LaserJet 4345mfp and 9040/9050mfp, and the HP Color LaserJet 4730mfp and 9500mfp

1. On the control panel, press the **Menu** button to open the main menu.
2. Touch **FAX** to open the fax menu.
3. Scroll to and touch **FAX RECEIVE**.
4. Touch **Fit to Page** to see the fit-to-page settings.
5. Touch **ON** to enable fit-to-page, or touch **OFF** (default) to disable fit-to-page.

### Set fit-to-page on the HP LaserJet M3025 MFP, M3027 MFP, M4345 MFP, M5025 MFP, M5035 MFP, M9040 MFP, M9050 MFP and HP Color LaserJet CM4730 MFP and CM6040 MFP Series

1. On the control panel, scroll to and touch the **Administration** icon to open the Administration menu.
2. Touch **Default Job Options** and then **Default Fax Options**.
3. Scroll to and touch **Fax Receive** to see the Fax Receive setting.
4. Touch **Fit to Page** to see the fit-to-page settings.
5. Touch **Enabled** (default) to enable fit-to-page, or touch **Disabled** to disable fit-to-page.
6. Touch **Save**.

## Set the paper tray

The paper tray setting selects the MFP paper tray to pull paper from for printing faxes.

### Set the paper tray on the HP LaserJet 4345mfp and 9040/9050mfp, and the HP Color LaserJet 4730mfp and 9500mfp

1. On the control panel, press the **Menu** button to display the main menu.
2. Touch **FAX** to display the fax menu.

3. Scroll down and touch **FAX RECEIVE**.
4. Touch **Fax Paper Tray** to display the settings screen.
5. Use the up and down arrows to select the number for the tray (default=0), and then touch **OK**.

**Set the paper tray on the HP LaserJet M3025 MFP, M3027 MFP, M4345 MFP, M5025 MFP, M5035 MFP, M9040 MFP, M9050 MFP and HP Color LaserJet CM4730 MFP and CM6040 MFP Series**

1. On the control panel, scroll to and touch the **Administration** icon to open the Administration menu.
2. Touch **Default Job Options**.
3. Touch **Default Fax Options**.
4. Touch **Fax Receive** to display the Fax Receive menu.
5. Touch **Fax Paper Tray** to display the Fax Paper Tray menu.
6. Touch the text box to enter the desired paper tray value, **0** (default) - **2**. (Other values may be displayed depending on installed paper trays)
7. Touch **Save** to save the paper tray value.

## Set the destination bin

The destination bin setting specifies the MFP output bin to receive the printed fax.

**Set the destination bin on the HP LaserJet 4345mfp and 9040/9050mfp, and the HP Color LaserJet 4730mfp and 9500mfp**

1. On the control panel, press the **Menu** button to display the main menu.
2. Touch **FAX** to display the fax menu.
3. Scroll down and touch **FAX RECEIVE**.
4. Scroll down and touch **FAX DESTINATION BIN** to display the settings screen.
5. Use the up and down arrows to select the number of the bin (default=0), and then touch **OK**.

**Set the output bin on the HP LaserJet M3025 MFP, M3027 MFP, M4345 MFP, M5025 MFP, M5035 MFP, M9040 MFP, M9050 MFP and HP Color LaserJet CM4730 MFP and CM6040 MFP Series**

---

 **NOTE:** Some menu items (such as **Output Bin**) are not present if there is only a single selection available.


---

1. On the control panel, scroll to and touch the **Administration** icon to open the Administration menu.
2. Touch **Default Job Options** to display the Default Job Options menu.
3. Touch **Default Fax Options** to display the Fax Receive menu.
4. Touch **Output Bin** to display the Output Bin menu.
5. Touch the text box to enter the desired paper tray value, **0** (default) - **2**. (Other values may be displayed depending on installed paper trays)
6. Touch **Save**.



## Blocking incoming faxes

Use the fax block list setting to create a list of blocked phone numbers. When a fax is received from a blocked phone number, the fax is not printed and is immediately deleted from memory.

 **NOTE:** Only numbers can be used in the fax block list. Do not use dashes or spaces. If a fax is sent from a blocked phone number and the sender uses a dash or a space in the number, the fax will not be blocked.

---

### Create a blocked-fax list

#### Create a blocked fax list on the HP LaserJet 4345mfp and 9040/9050mfp, and the HP Color LaserJet 4730mfp and 9500mfp

1. On the control panel, press the **Menu** button to open the main menu.
2. Touch **FAX** to open the fax menu.
3. Scroll to and touch **FAX RECEIVE**.
4. Scroll to and touch **Blocked Fax List** to open the blocked fax menu.
5. Touch **Add Blocked Number** to make the keyboard available.
6. Type a number and touch **OK**.
7. To add additional numbers, repeat steps 5 and 6.

#### Create a blocked fax list on the HP LaserJet M3025 MFP, M3027 MFP, M4345 MFP, M5025 MFP, M5035 MFP, M9040 MFP, M9050 MFP and HP Color LaserJet CM4730 MFP and CM6040 MFP Series

1. On the control panel, scroll to and touch the **Administration** icon to open the Administration menu.
2. Scroll to and touch **Initial Setup**.
3. Touch **Fax Setup**.
4. Scroll to and touch **Fax Receive Settings**.
5. Scroll to and touch **Blocked Fax List** to open the blocked fax menu.
6. Touch **Add Blocked Number** to make the keyboard available.
7. Type a number and touch **OK**.
8. To add additional numbers, repeat steps 5 and 6.

### Remove numbers from the blocked-fax list

#### Remove numbers from the blocked-fax list on the HP LaserJet 4345mfp and 9040/9050mfp, and the HP Color LaserJet 4730mfp and 9500mfp

1. On the control panel, press the **Menu** button to open the main menu.
2. Touch **FAX** to open the fax menu.
3. Scroll to and touch **FAX RECEIVE**.
4. Touch **Blocked Fax List** to open the blocked fax menu.

5. Touch **Remove Blocked Number** to see the list of blocked phone numbers.
6. Scroll through the numbers to highlight one you want to remove, and then touch the phone number to remove it. Repeat this step for any numbers you want to remove.
7. Touch **OK** to exit.

**Remove numbers from the blocked-fax list on the HP LaserJet M3025 MFP, M3027 MFP, M4345 MFP, M5025 MFP, M5035 MFP, M9040 MFP, M9050 MFP and HP Color LaserJet CM4730 MFP and CM6040 MFP Series**

1. On the control panel, scroll to and touch the **Administration** icon to open the Administration menu.
2. Scroll to and touch **Initial Setup**.
3. Touch **Fax Setup**.
4. Scroll to and touch **Fax Receive Settings**.
5. Scroll to and touch **Blocked Fax List** to open the blocked fax menu.
6. Touch **Remove Blocked Number** to make the keyboard available.
7. Type a number and touch **OK**.
8. To add additional numbers, repeat steps 5 and 6.

## **Clear all numbers from the blocked-fax list**

**Clear all numbers from the blocked-fax list on the HP LaserJet 4345mfp and 9040/9050mfp, and the HP Color LaserJet 4730mfp and 9500mfp**

1. On the control panel, press the **Menu** button to open the main menu.
2. Touch **FAX** to open the fax menu.
3. Scroll to and touch **FAX RECEIVE**.
4. Scroll to and touch **Blocked Fax List** to see the blocked fax list menu.
5. Touch **Clear all Blocked Numbers** to open the settings screen.
6. Touch **Yes** to clear all numbers from the list, or touch **No** to exit and retain the numbers.

**Clear all numbers from the blocked-fax list on the HP LaserJet M3025 MFP, M3027 MFP, M4345 MFP, M5025 MFP, M5035 MFP, M9040 MFP, M9050 MFP and HP Color LaserJet CM4730 MFP and CM6040 MFP Series**

1. On the control panel, scroll to and touch the **Administration** icon to open the Administration menu.
2. Scroll to and touch **Initial Setup**.
3. Touch **Fax Setup**.
4. Scroll to and touch **Fax Receive Settings**.
5. Scroll to and touch **Blocked Fax Numbers** to open the blocked fax menu.
6. Touch **Clear all Blocked Numbers** to make the keyboard available.
7. Touch **Yes** to clear all numbers from the list, or touch **No** to exit and retain the numbers.

## Initiate polling receive

Some fax machines can hold a fax until another fax machine requests that the fax be sent. When an MFP polls another fax machine that is holding a fax and requests that the held fax be sent to the MFP, this is known as polling receive.

### Initiate polling receive for the HP LaserJet 4345mfp and 9040/9050mfp, and the HP Color LaserJet 4730mfp and 9500mfp

1. On the control panel, press the **Menu** button to access the main menu.
2. Touch **FAX** to display the fax menu.
3. Scroll to and touch **FAX FUNCTIONS**.
4. Touch **INITIATE POLLING RECEIVE** to display the keyboard.
5. Use the keyboard to type a polling receive number, and then touch **OK**.
6. Using the keypad, type a polling receive number, and then touch **Start**.
7. The number entered is dialed. If a stored fax is being held at the fax machine dialed, that fax is transmitted to the mfp and printed. If no fax is held, a **No Fax is Available** message will be displayed. If the fax machine does not support the polling feature, a **Poll Invalid** error message will be shown.

### Initiate polling receive on the HP LaserJet M3025 MFP, M3027 MFP, M4345 MFP, M5025 MFP, M5035 MFP, M9040 MFP, M9050 MFP and HP Color LaserJet CM4730 MFP and CM6040 MFP Series


1. On the control panel, touch the **FAX** icon to display the Fax screen.
2. Touch **More Options** to display the options screen.
3. Scroll to page 3.
4. Touch **Fax Polling** to display the Fax Polling screen.
5. Touch the text box to display the keyboard.
6. Using the keypad, type a polling receive number, and then touch **Start**.
7. The number entered is dialed. If a stored fax is being held at the fax machine dialed, that fax is transmitted to the mfp and printed. If no fax is held, a **No Fax is Available** message will be displayed. If the fax machine does not support the polling feature, a **Poll Invalid** error message will be shown.

## Changing notification settings

Notification selects when and how you are notified of the status of an outgoing fax. This setting applies to the current fax only. To change the setting permanently, change the default setting.

### Change notification settings on the HP LaserJet 4345mfp and 9040/9050mfp, and the HP Color LaserJet 4730mfp and 9500mfp

1. On the control panel main screen, touch the **FAX** icon to display the Fax screen.
2. Touch **NOTIFY**

3. Under the **NOTIFY** tab:
    - Touch **None** to turn off notification, and then touch **OK**, to complete the setting and return to the Fax feature screen.
    - Touch **This Job** or **On Error** to enable notification and continue to the next step.
  4. Touch **Print** to receive a printed notification and complete the notification process, or, touch **E-MAIL** to display the keyboard.
- 
-  **NOTE:** E-mail notification works if e-mail has been configured. If the e-mail icon on the MFP screen has "Not Available" across it, e-mail is not configured. To configure e-mail, use the MFP e-mail menu settings, see the MFP user documentation for detailed information on configuring e-mail.
- 
5. If you selected e-mail, use the keyboard to type an e-mail address, and then touch **OK** to complete the notification setting and to return to the Fax menu.

**Change notification settings on the HP LaserJet M3025 MFP, M3027 MFP, M4345 MFP, M5025 MFP, M5035 MFP, M9040 MFP, M9050 MFP and HP Color LaserJet CM4730 MFP and CM6040 MFP Series**

1. On the control panel, touch the **FAX** icon to open the Fax screen.
2. Touch **More Options**.
3. Touch **Notification**.
4. Select a notification setting:
  - Touch **None** to turn off notification.
  - Touch **This Job** to enable notification for the current job.
  - Touch **On Error** to enable error notification only for the current job.
5. Touch **Print** to receive a printed notification, or touch **E-MAIL** to receive an e-mail notification.
6. If you selected **Print**, touch **OK** to complete the notification setup.

**-or-**

If you selected **E-MAIL**, use the keyboard to type an e-mail address. Then touch **OK** to complete the notification setup.

## Set the error correction mode

Normally, the fax accessory monitors the signals on the telephone line while it is sending or receiving a fax. If the fax accessory detects an error during the transmission and the error correction setting is on, the fax accessory can request that the error portion of the fax be sent again.

You should turn off error correction only if you are having trouble sending or receiving a fax and if you are willing to accept the errors in the transmission. Turning off the setting might be useful when you are trying to send a fax overseas or receive one from overseas, or if you are using a satellite telephone connection.

### Set the error correction mode on the HP LaserJet 4345mfp and 9040/9050mfp, and the HP Color LaserJet 4730mfp and 9500mfp

1. On the control panel, press the **Menu** button to open the main menu.
2. Touch **FAX** to open the fax menu.
3. Touch **FAX SETUP OPTIONAL** to see the optional setup items.
4. Touch **Error Correction Mode** to see the settings.
5. Touch **ON** (default) to enable error correction mode, or touch **OFF** to disable correction mode.

### Set the error correction mode on the HP LaserJet M3025 MFP, M3027 MFP, M4345 MFP, M5025 MFP, M5035 MFP, M9040 MFP, M9050 MFP and HP Color LaserJet CM4730 MFP and CM6040 MFP Series

1. On the control panel, scroll to and touch the **Administration** icon to open the Administration menu.
2. Touch **Initial Setup** to open the setup settings menu and then touch **Fax Setup**.
3. Touch **Fax Send Settings** to see the settings.
4. Touch **Error Correction Mode** to see the settings.
5. Touch **Enabled** (default) to enable error correction mode, or touch **Disabled** to disable correction mode.

## Set the modem volume

**Set the modem volume on the HP LaserJet 4345mfp and 9040/9050mfp, and the HP Color LaserJet 4730mfp and 9500mfp**

1. On the control panel, press the **Menu** button to display the main menu.
2. Touch **FAX** to display the fax menu.
3. Touch **FAX SETUP OPTIONAL** to display the optional settings menu.
4. Touch **MODEM VOLUME** to display the volume settings.
5. Touch **OFF**, **Medium** (default), or **LOUD** to set the volume.

**Set the modem volume on the HP LaserJet M3025 MFP, M3027 MFP, M4345 MFP, M5025 MFP, M5035 MFP, M9040 MFP, M9050 MFP and HP Color LaserJet CM4730 MFP and CM6040 MFP Series**

1. On the control panel, scroll to and touch the **Administration** icon to open the Administration menu.
2. Scroll to and touch **Initial Setup** to display the Initial Setup menu.
3. Touch **Fax Setup** to display the Fax Setup menu.
4. Touch **Fax Send Settings** to display the Fax Send Settings menu.
5. Touch **Fax Dial Volume** to display the Fax Dial Volume menu.
6. Touch **OFF**; **Low** (default), or **High** to set the volume.
7. Touch **Save** to save the volume setting.

# Set the ringer volume

**Set the ringer volume on the HP LaserJet 4345mfp and 9040/9050mfp, and the HP Color LaserJet 4730mfp and 9500mfp**

1. On the control panel, press the **Menu** button to open the main menu.
2. On the control panel, touch the **Administration** icon to open the Administration menu.
3. Touch **FAX** to open the fax settings menu.
4. Touch **FAX SETUP OPTIONAL**.
5. Touch **Ringer Volume** to see the settings.
6. Touch **OFF**, **Medium** (default), or **LOUD** to set the volume.

**Set the ringer volume on the HP LaserJet M3025 MFP, M3027 MFP, M4345 MFP, M5025 MFP, M5035 MFP, M9040 MFP, M9050 MFP and HP Color LaserJet CM4730 MFP and CM6040 MFP Series**

1. On the control panel, scroll to and touch the **Administration** icon to open the Administration menu.
2. Scroll to and touch **Initial Setup** to display the Initial Setup menu.
3. Touch **Fax Setup** to display the Fax Setup menu.
4. Touch **Fax Receive Settings** to display the Fax Receive Settings menu.
5. Touch **Ringer Volume** to display the Ringer Volume menu.
6. Touch **OFF**; **Low** (default), or **High** to set the volume.
7. Touch **Save** to save the volume setting.





---

## 3 Use Fax

This chapter provides information about fax setup, sending faxes, and receiving faxes in the following sections:

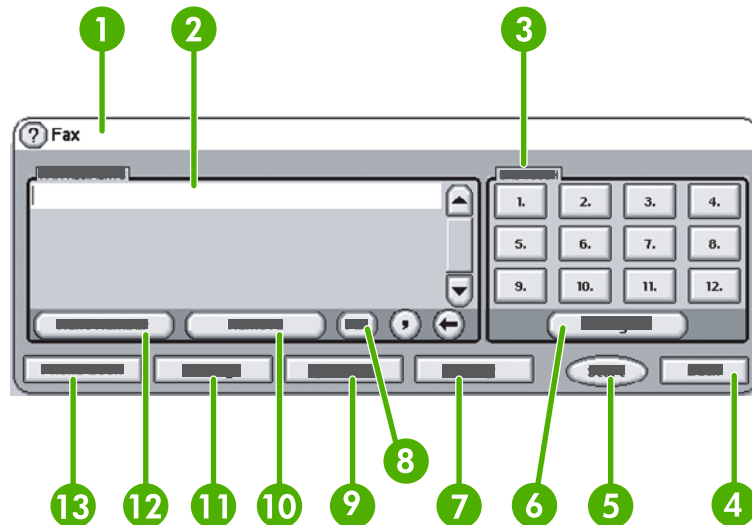
- [Fax feature screen](#)
- [Status message bar](#)
- [Send a fax](#)
- [Canceling a fax](#)
- [Receiving faxes](#)
- [Creating and deleting speed dial lists](#)
- [Assigning speed dial lists to one-touch keys](#)
- [Voice Calls and Retries](#)
- [Secure settings](#)
- [Set fax forwarding](#)
- [Scheduling fax printing \(memory lock\)](#)
- [Using Fax over VoIP networks](#)

## Fax feature screen

The Fax feature screen is used to send faxes. To access this screen, press the **FAX** icon displayed on the control panel Home screen.

### HP LaserJet 4345mfp and 9040/9050mfp, and HP Color LaserJet 4730mfp and 9500mfp fax feature screen

**Figure 3-1** HP LaserJet 4345mfp and 9040/9050mfp, and the HP Color LaserJet 4730mfp and 9500mfp fax feature screen



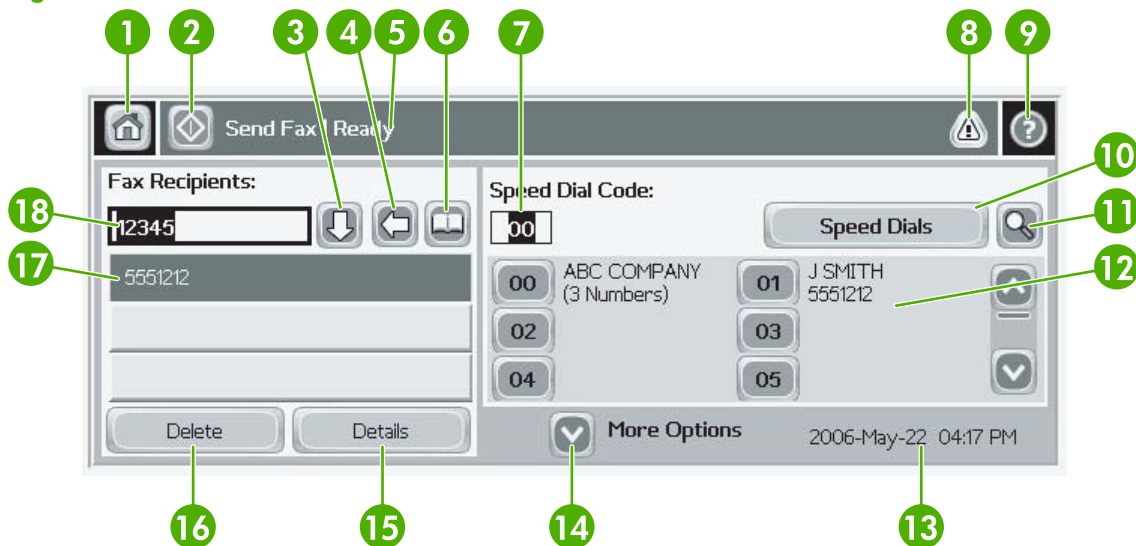
1	Status Message Bar
2	Fax Recipients
3	One Touch keys
4	Back <sup>1</sup>
5	Start
6	Configure (one touch keys)
7	Notify
8	PIN <sup>2</sup>
9	Speed Dial
10	Remove
11	Settings
12	Next Number
13	Phone Book

<sup>1</sup> Displays only if configured using HP MFP Digital Sending Software Configuration Utility

<sup>2</sup> This button is also used to add the special character brackets [ and ] to hide a PIN number.

# HP LaserJet M3035 MFP, M3027 MFP, M4345 MFP, M5025 MFP, M5035 MFP, M9040 MFP, M9050 MFP and HP Color LaserJet CM4730 MFP and CM6040 MFP Series fax feature screen

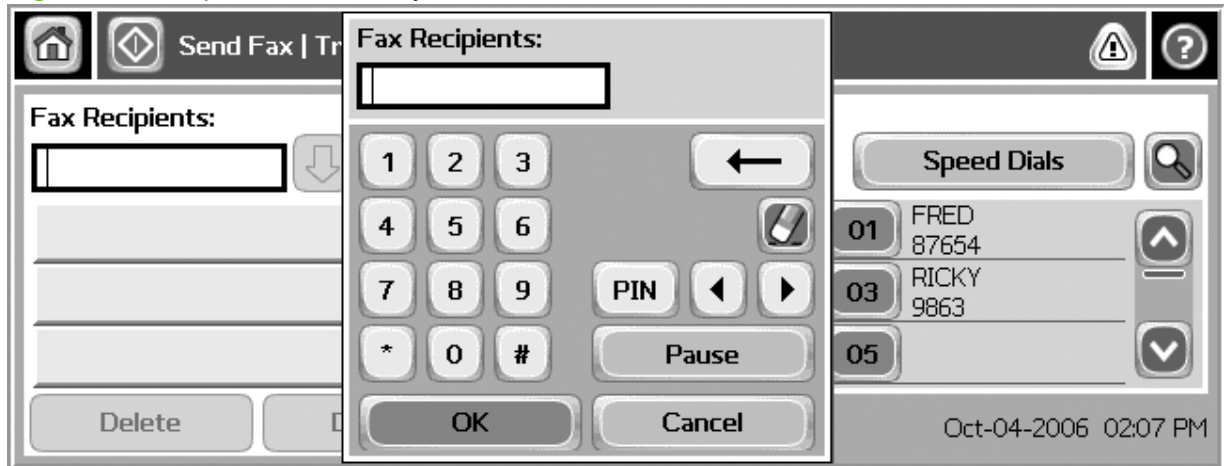
Figure 3-2 Fax feature screen



1	Home Key - return to main screen
2	Send Fax - press to send fax to recipients
3	Enter Number into Recipient List
4	Backspace/Delete Number
5	Status Message Bar
6	Access Phone Book
7	Speed Dial Search by Number
8	Alert Message - touch to display
9	Help - touch to display help selections
10	Speed Dial - Edit Key
11	Speed Dial - Search by Name
12	Speed Dial List (scroll to display other entries)
13	Current Date and Time
14	Touch to access additional Fax Settings for current job
15	Press for Details of Selected Recipient
16	Press to Delete Selected Recipient from List
17	Recipient List
18	Recipient Number Entry Box - Touch for keyboard or enter from control panel keypad <sup>1</sup>

<sup>1</sup> When the **Recipient Number Entry Box** is pressed, a pop up is displayed which includes the **PIN** button for adding special character brackets ( [ ] ) to hide a PIN number, and a **Pause** button to insert a comma for a two second pause. See the figure below:

**Figure 3-3** Recipient number entry box



## Status message bar


While sending and receiving faxes, status information will display in the status bar located at the top of some touch screens. This status includes such information as: **Ready**, **Receiving call**, **Page sent**, and others.

## Send a fax

To send a fax, you can use one of three basic methods to enter numbers:

- Enter number(s) manually.
- Enter number(s) using speed dial.
- Enter number(s) using the phone book (available only if HP MFP Digital Sending Software Configuration Utility is installed and the phone book has been populated).


---

 **NOTE:** For online information about sending a fax, touch ? on the screen to access the help menu, and then touch **Send a fax** under the list of help topics.

---

When entering a phone number from the numeric keypad, include any pauses or other numbers, such as area codes, access codes for numbers outside a PBX system (usually a 9 or 0), or a long-distance prefix. A two second pause may be included by typing a comma (,). If the fax prefix setting has been set to automatically include the dialing prefix, you will not need to enter it.

---

 **NOTE:** When a fax is sent, it is first scanned and stored into memory. After the entire document is stored, it is sent and then deleted from memory. Faxes that fail to send, because the number was busy or did not answer, are deleted from memory. If Redial-On-Busy or Redial-On-No-Answer are set, the fax will not be deleted until all retries fail or the fax is sent successfully.

---

## Send a fax - enter number(s) manually


**Send a fax - enter number(s) manually on the HP LaserJet 4345mfp and 9040/9050mfp, and the HP Color LaserJet 4730mfp and 9500mfp**

1. Place the document in the automatic document feeder (ADF) or on the scanner glass.
2. From the main screen, touch the **FAX** icon. You may be prompted to type a user name and password if authentication is required by your administrator.
3. Touch **Settings**. Verify that the Describe Original settings match those of your original. These settings include:
  - **Page size** (such as letter or A4)
  - **1-sided or 2-sided printing**
  - **Page content** (text, mixed text and graphics, or graphics and photos) Sending graphics and photos in text mode results in lower quality images.
  - **Orientation** (portrait or landscape)
  - **Job Mode** combines multiple scans into a single job.

If the settings do not match, complete the following steps.

- a. Touch **Describe Original** to display the Original Setting screen.
- b. Make any required changes to match your original.
- c. When all settings are completed, touch **OK** to return to the Settings screen.


---

 **NOTE:** All settings made on the Settings screen are temporary settings, enabled for the current fax only.

---

4. On the Settings screen touch **Fax Settings** to make adjustments to the following settings:
  - **Sharpness**--enhances text and graphic edges.
  - **Background**--removes a background that might be a result from copying color paper.
  - **Notify/Notification**--changes how you are notified of the status of the fax transmission (that is, if the fax was sent or if an error occurred and the fax was not sent).

---


 **NOTE:** Notify/Notification changes the notification setting for the current fax only.

---

5. When all settings are completed, touch **OK** to return to the Settings screen.
6. On the Settings screen, to adjust the lightness/darkness of the fax you are sending, touch the **Light** or **Dark** arrows.
7. When all settings are completed on the Settings screen, touch **OK** to return to the Fax screen.
8. Using the keyboard, enter a phone number. To enter additional numbers, touch **Next Number** and continue entering numbers.

To remove a number from the list, use the arrow keys to highlight a number and then touch **Remove**.

---


 **NOTE:** If needed, enter a comma (,) to provide a two second pause after a prefix number (such as a "9" or "0" ) to allow the internal phone system time to access an outside line before the remainder of the number is dialed.

You can also use the **PIN** button to add the special character brackets (**[I]** and **[J]**) to hide a PIN number.

---

9. Touch **Start** to send the fax. You can either touch the **Start** button on the touch screen or press the green **Start** button on the control panel.

---

 **NOTE:** If you have made any changes to the settings on the Settings screen (such as changing notification or 1-sided to 2-sided), a Processing Job screen displays asking **Would you like to keep your current settings?** If you press **Yes**, the MFP returns you to the Fax screen and the settings you made are retained. This allows you to send another fax using the same settings. If you press **No**, the settings are cleared (returned to their default values) and the MFP home screen displays.

---

### Send a fax - enter number(s) manually on the HP LaserJet M3025 MFP, M3027 MFP, M4345 MFP, M5025 MFP, M5035 MFP, M9040 MFP, M9050 MFP and HP Color LaserJet CM4730 MFP and CM6040 MFP Series

1. Place the document in the automatic document feeder (ADF) or on the scanner glass.
2. From the main screen, touch the **FAX** icon. You may be prompted to type a user name and password.
3. Touch **More Options**. Verify that the Describe Original settings match those of your original. These settings include:
  - **Original size** (such as letter or A4)
  - **Original sides - 1-sided or 2-sided printing**
  - **Optimize text/picture** (text, mixed text and graphics, or graphics and photos) Sending graphics and photos in text mode results in lower quality images.

- **Content Orientation** (portrait or landscape)
- **Job Build** combines multiple scans into a single job.
- **Image adjustment**
- **Sharpness** enhances text and graphic edges.
- **Darkness**
- **Background** removes a background that might be a result from copying color paper.
- **Notification** changes how you are notified of the status of the fax transmission (that is, if the fax was sent or if an error occurred and the fax was not sent).

---


 **NOTE:** Notification changes the notification setting for the current fax only.

---

4. When all settings are completed, touch **OK** to return to the Settings menu.
5. On the Settings screen, touch the **Light** or **Dark** arrow to adjust the lightness/darkness of the fax you are sending.
6. When all settings are completed on the Settings screen, touch **OK** to return to the Fax screen.
7. Using the keyboard, enter a phone number. To enter additional numbers, touch **Next Number** and continue entering numbers.

To remove a number from the list, use the arrow keys to highlight a number and then touch **Remove**.

---

 **NOTE:** If needed, enter a comma (,) to provide a two second pause after a prefix number (such as a "9" or "0" ) to allow the internal phone system time to access an outside line before the remainder of the number is dialed. To enter a comma, use the keypad on the control panel that pops up when you touch the Recipient Number Entry Box


---

To enter a PIN as part of the recipient number, use the keypad on the control panel. Touch the **Recipient** field, and then touch the **PIN** button. This inserts a left bracket ([). Type the PIN, and then touch the **PIN** button again to insert the right (]) bracket. The number within the brackets is not displayed in the fax number that appears on fax reports.

8. Touch **Start** to send the fax. You can either touch the **Start** icon on the touch screen or press the green **Start** button on the control panel.
9. If the fax recipient number matches one or more saved speed dials, the matched speed dials are displayed and you are asked if you want to continue sending the fax to the indicated recipient(s). Touch **Yes** to confirm the number and send the fax, or touch **No** to cancel the fax. Note that this step is not required if the Fax Number Speed Dial Matching feature is disabled.

If the fax recipient number does not match any saved speed dials, a number confirmation screen appears and you must re-type the fax number. After re-typing the number, touch **OK** to send the fax. Note that this step is not required if the Fax Number Confirmation feature is disabled.


---

 **NOTE:** If you have made any changes to the settings on the Settings screen (such as changing notification or 1-sided to 2-sided), a Processing Job screen displays asking "Would you like to keep your current settings?". If you press **Yes**, the MFP returns you to the Fax screen and the settings you made are retained. This allows you to send another fax using the same settings. If you press **No**, the settings are cleared (returned to their default values) and the MFP home screen displays.

---



## Send a fax using speed dial

 **NOTE:** Prior to sending a fax using speed dial, you must create a speed dial. To create a speed dial, see [Creating and deleting speed dial lists on page 83](#).


---

### Send a fax using the speed dial on the HP LaserJet 4345mfp and 9040/9050mfp, and the HP Color LaserJet 4730mfp and 9500mfp

1. Place the document in the automatic document feeder (ADF) or on the scanner glass.
2. From the main screen, touch the **FAX** icon. You may be prompted to type a user name and password.
3. Touch **Settings**. Verify that the Describe Original settings match those of your original. These settings include:
  - **Page size** (such as letter or A4)
  - **1-sided or 2-sided printing**
  - **Page content** (text, mixed text and graphics, or graphics and photos) Sending graphics and photos in text mode results in lower quality images.
  - **Orientation** (portrait or landscape)
  - **Job Mode** combines multiple scans into a single job.


If the settings do not match, complete the following steps.

- a. Touch **Describe Original** to display the Original Setting screen.
- b. Make any required changes to match your original.
- c. When all settings are completed, touch **OK** to return to the Settings screen.

 **NOTE:** All settings made on the Settings screen are temporary settings, enabled for the current fax only.

---

4. On the Settings screen touch **Fax Settings** to make adjustments to the following settings:
  - **Sharpness**--enhances text and graphic edges.
  - **Background**--removes a background that might be a result from copying color paper.
  - **Notify/Notification**--changes how you are notified of the status of the fax transmission (that is, if the fax was sent or if an error occurred and the fax was not sent). For the HP LaserJet 4345mfp and the 4730mfp, access to the notification settings is through the **NOTIFY** button located on the main fax screen.


 **NOTE:** Notify/Notification changes the notification setting for the current fax only.

---

5. When all settings are completed, touch **OK** to return to the Settings screen.
6. On the Settings screen, to adjust the lightness/darkness of the fax you are sending, touch the **Light** or **Dark** arrows.
7. When all settings are completed on the Settings screen, touch **OK** to return to the Fax screen.
8. Touch **Speed Dial** to display the Speed Dial screen.

9. Touch the check box in front of the speed dial name you wish to use.
10. Touch **OK** to return to the Fax screen. The speed dial number(s) will be listed in the Fax Recipient screen.
11. Touch **Start** to send the fax. You can either touch the **Start** button on the touch screen or press the green **Start** button on the control panel.

---

 **NOTE:** If you have made any changes to the settings on the Settings screen (such as changing notification or 1-sided to 2-sided), a Processing Job screen displays asking "Would you like to keep your current settings?". If you press **Yes**, the MFP returns you to the Fax screen and the settings you made are retained which allows you to send another fax using the same settings. If you press **No**, the settings are cleared (returned to their default values) and the MFP home screen is displayed.


---

### Send a fax using the speed dial on the HP LaserJet M3025 MFP, M3027 MFP, M4345 MFP, M5025 MFP, M5035 MFP, M9040 MFP, M9050 MFP and HP Color LaserJet CM4730 MFP and CM6040 MFP Series

1. Place the document in the automatic document feeder (ADF) or on the scanner glass.
2. On the control panel, touch the **FAX** icon to display the Fax screen.
3. Touch **Speed Dials** to display the Speed Dial screen.
4. Touch a **Speed Dial** number for the speed dial name you wish to use.
5. The speed dial name will appear in the **Fax Recipients** section of the Fax screen.
6. Touch the fax recipient name to highlight.
7. Touch **Start** to send the fax. You can either touch the **Start** button on the touch screen or press the green **Start** button on the control panel.

## Sending a fax using one touch speed dial

---

 **NOTE:** Prior to sending a fax using a one touch speed dial key, you must first create a speed dial, see [Creating and deleting speed dial lists on page 83](#). Then, set up the one touch keys, see [Assign a speed dial to a one-touch key for the HP LaserJet 4345mfp and 9040/9050mfp, and the HP Color LaserJet 4730mfp and 9500mfp on page 86](#).

**NOTE:** If you have made any changes to the settings on the Settings screen (such as changing notification or 1-sided to 2-sided ), a Processing Job screen displays asking "Would you like to keep your current settings?". If you press **Yes**, the MFP returns you to the Fax screen and the settings you made are retained which allows you to send another fax using the same settings. If you press **No**, the settings are cleared (returned to their default values) and the MFP home screen is displayed.

---

### Send a fax using one touch speed dial from the HP LaserJet 4345mfp and 9040/9050mfp, and the HP Color LaserJet 4730mfp and 9500mfp


1. Place the document in the automatic document feeder (ADF) or on the scanner glass.
2. From the main screen, touch the **FAX** icon. You may be prompted to type a user name and password.

3. Touch **Settings**. Verify that the Describe Original settings match those of your original. These settings include:
  - **Page size** (such as letter or A4)
  - **1-sided or 2-sided printing**
  - **Page content** (text, mixed text and graphics, or graphics and photos) Sending graphics and photos in text mode results in lower quality images.
  - **Orientation** (portrait or landscape)
  - **Job Mode** combines multiple scans into a single job.


If the settings do not match, complete the following steps.

- a. Touch **Describe Original** to display the Original Setting screen.
- b. Make any required changes to match your original.
- c. When all settings are completed, touch **OK** to return to the Settings screen.

---

 **NOTE:** All settings made on the Settings screen are temporary settings, enabled for the current fax only.


---

4. On the Settings screen touch **Fax Settings** to make adjustments to the following settings:
    - **Sharpness**--enhances text and graphic edges.
    - **Background Removal**--removes a background that might be a result from copying color paper.
  5. When all settings are completed, touch **OK** to return to the Settings screen.
  6. On the Settings screen, to adjust the lightness/darkness of the fax you are sending, touch the **Light** or **Dark** arrows and touch **OK** to return to the Settings screen.
  7. When all settings are completed on the Settings screen, touch **OK** to return to the Fax screen.
  8. To change notification, touch **NOTIFY**. Make changes to notification settings and then touch **OK** to return to the Settings screen.
- 
-  **NOTE:** Notify/Notification changes the notification setting for the current fax only.
- 
9. Touch the one touch speed dial key for the speed dial you want.
  10. Touch **Start** to send the fax. You can either touch the **Start** button on the touch screen or press the green **Start** button on the control panel.


## Search a speed-dial list by name

Use this feature to search an existing speed dial by name.

## Search a speed-dial list by name on the HP LaserJet 4345mfp, HP Color LaserJet 4730mfp, HP LaserJet 9040/9050mfp, and HP Color LaserJet 9500mfp

 **NOTE:** This feature is new for these models.

1. On the control-panel main screen, touch the **FAX** icon to display the Fax screen.
2. Touch **Speed Dial** to open the Speed Dial screen.
3. Touch **Search** to make the onscreen keyboard available.
4. Type the speed-dial name. As you type, the remaining letters of the first matching speed-dial name are automatically filled in. If necessary, type additional letters to refine your search.
5. Touch **OK** when you have located your speed dial on the search screen. The speed-dial list appears with the speed dial that you specified at the top of the list.
6. Select the speed-dial name from the list and touch **OK** to place the speed dial in the recipient list on the fax screen. You can select more than one speed dial before clicking **OK**.

 **NOTE:** If you do not know the unique name of the speed dial, type a letter to select any portion of the list. For example, to view speed-dial names that begin with the letter N, type the letter N. If no matching entries exist, a message appears before the search shows the entry that is closest to the letter N.


## Search a speed-dial list by name on the HP LaserJet M5035, M5025, M3035, M3027, M4345, M9040 MFP, M9050 MFP and HP Color LaserJet CM4730 MFP and CM6040 MFP Series

1. On the control-panel main screen, touch the **FAX** icon to display the Fax screen.
2. Touch the **Speed Dial Search** button. This button looks like a magnifying glass and is located to the right of the **Speed Dial** button.
3. Type the first letters of the name to search for. As matches are found, the list at the top of the search screen is populated. If necessary, scroll to see all the entries, or type more letters to narrow the search.
4. Select the appropriate name from the list and touch **OK**. The speed-dial list on the main fax screen shows the selected entry at the top of the list.
5. Touch the selected entry to add it into the recipients list.
6. Select or search for additional names as needed.

## Sending a fax using phone book numbers

The fax phone book feature is available when the MFP is configured to use the HP MFP Digital Sending Configuration software. If the MFP has not been configured for use with this software, the Phone Book button will not display. To configure the MFP for use with the HP MFP Digital Sending Configuration software, see the **HP MFP Digital Sending Software User Guide** or the **HP MFP Digital Sending Software Support Guide**.

Also, when Authentication is enabled from the HP MFP Digital Sending Configuration software, your personal fax numbers from your Microsoft® Exchange contact list appear in the phone book.

 **NOTE:** Fax numbers cannot be added or deleted from the phone book from this device. Fax numbers can only be added or deleted using the Address Book Manager (ABM) running on the Digital Send Server or by changing the entries in your contact list.


## Send a fax using the phone book from the HP LaserJet 4345mfp and 9040/9050mfp, and the HP Color LaserJet 4730mfp and 9500mfp

1. Place the document in the automatic document feeder (ADF) or on the scanner glass.
2. From the main screen, touch the **FAX** icon. You may be prompted to type a user name and password.
3. Touch **Settings**. Verify that the Describe Original settings match those of your original. These settings include:
  - **Page size** (such as letter or A4)
  - **1-sided or 2-sided printing**
  - **Page content** (text, mixed text and graphics, or graphics and photos) Sending graphics and photos in text mode results in lower quality images.
  - **Orientation** (portrait or landscape)
  - **Job Mode** combines multiple scans into a single job.

If the settings do not match, complete the following steps.

- a. Touch **Describe Original** to display the Original Setting screen.
- b. Make any required changes to match your original.
- c. When all settings are completed, touch **OK** to return to the Settings screen.


---

 **NOTE:** All settings made on the Settings screen are temporary settings, enabled for the current fax only.

---

4. On the Settings screen touch **Fax Settings** to make adjustments to the following settings:
  - **Sharpness**--enhances text and graphic edges.
  - **Background Removal**--removes a background that might be a result from copying color paper.
  - **Notify/Notification**--changes how you are notified of the status of the fax transmission (that is, if the fax was sent or if an error occurred and the fax was not sent). For the HP LaserJet 4345mfp and the 4730mfp, access to the notification settings is through the **NOTIFY** button located on the main fax screen.


---

 **NOTE:** Notify/Notification changes the notification setting for the current fax only.

---

5. When all settings are completed, touch **OK** to return to the Settings screen.
6. On the Settings screen, to adjust the lightness/darkness of the fax you are sending, touch the **Light** or **Dark** arrows.
7. When all settings are completed on the Settings screen, touch **OK** to return to the Fax screen.

---

 **NOTE:** When you use the Phone Book, names instead of numbers appear in the fax recipients list.


---

8. Touch **Phone Book** to display the Fax Phone Book screen.
9. Use the scroll arrows to highlight a name or a number in the list, and then touch **Add** to enter the name/number in the window. You can add as many names/numbers as you want.

The **Details** button displays the fax number or list of fax numbers for the selected phone book entry. The **Personal** button shows only entries from the user's contact list in the phone book. The **All** button provides a merged list of the public fax entries and the personal entries from the contact list.

10. Touch **OK** to return to the Fax screen. The list of fax names is displayed in the Recipients window.
11. Touch **Start** to send the fax. You can either touch the **Start** button on the touch screen or press the green **Start** button on the control panel.

---

 **NOTE:** If you have made any changes to the settings on the Settings screen (such as changing notification or 1-sided to 2-sided), a Processing Job screen displays asking "Would you like to keep your current settings?". If you press **Yes**, the MFP returns you to the Fax screen and the settings you made are retained, which allows you to send another fax using the same settings. If you press **No**, the settings are cleared (returned to their default values) and the MFP home screen is displayed.

---

### Send a fax using the phone book on the HP LaserJet M3025 MFP, M3027 MFP, M4345 MFP, M5025 MFP, M5035 MFP, M9040 MFP, M9050 MFP and HP Color LaserJet CM4730 MFP and CM6040 MFP Series


1. On the control panel, touch the **FAX** icon to display the Fax screen.
2. Touch **Address Book** icon to display the Address Book screen.
3. Select a phone book source from the drop down menu.
4. Touch the names to highlight and touch the **Right Arrow** icon to move the highlighted names to the Fax Recipients section.
5. Touch **OK** to return to the Fax screen.
6. Touch **Start** to send the fax. You can either touch the **Start** button on the touch screen or press the green **Start** button on the control panel.

## DSS fax phone book search

Use the fax phone book search feature to complete a name search of the fax phone book that is supplied through the Digital Sending Service (DSS) and the Address Book Manager (ABM).

Check the HP Web site to determine if firmware updates are available for your MFP model.

---

 **NOTE:** If you are not using DSS, the fax phone book does not appear on the MFP display. The DSS phone book is not the same as the speed-dial list.

---

### Use the fax phone book search feature on the HP LaserJet 4345mfp, HP Color LaserJet 4730mfp, HP LaserJet 9040/9050mfp, and HP Color LaserJet 9500mfp

1. Touch the **FAX** icon on the display.
2. Touch **Phone Book** to make the onscreen keyboard available.
3. Type the name of the fax destination. As you type, the remaining letters of the first matching name are automatically filled in. If necessary, type additional letters to refine your search. If no match is found, the entry will not auto-complete.
4. As entries are located, use a semicolon (;) to separate names and search for additional entries without leaving the search screen. Touch **OK** to return to the main fax screen.

5. If you do not know the unique name of the destination, press the phone-book icon at the top of the screen to see the phone-book listing. Scroll to the entry that you want, touch **Add**, and then touch **OK**. The name appears in the Search Phone Book entry list.
6. Touch **OK** to place the entry in the Fax Recipients list on the Fax screen.

**Use the fax phone book search feature on the HP LaserJet M5035 MFP, M5025 MFP, M3035 MFP, M3027 MFP, M4345 MFP, M9040 MFP, M9050 MFP and HP Color LaserJet CM4730 MFP and CM6040 MFP Series**

1. Touch the **FAX** icon on the display.
2. Touch the **Phone Book** icon (located to the right of the fax recipients box).
3. Select the phone book source or **All** in the pull-down menu at the top of the phone book screen.
4. Select the recipient name from the phone book list.

For long lists, a name search is available by pressing the **Search** icon (magnifying glass) at the bottom of the phone book screen. In the search screen, type the first letter or letters of the name; matching recipients appear as letters are typed. Type more letters to further refine the search. Select from the name(s) found at the top of the screen, and then touch **OK**. The screen returns to the Fax Phone Book.

5. Touch the right arrow to enter the selected name into the Fax Recipients list.
6. Touch **OK** to return to the Send Fax job screen.

---

 **NOTE:** Use the Address Book Manager (part of DSS) to create/add content to the Fax Address Book.

**NOTE:** To import/export the local fax phone book to the EWS, refer to the EWS documentation.


---

# Canceling a fax

## Cancel the current fax transmission

The Cancel Current Transmission menu item only appears if an outgoing fax call is in progress.

---


 **NOTE:** The cancel operation may require up to 30 seconds to complete.

---

### Cancel the current fax transmission using the menus on the HP LaserJet 4345mfp and 9040/9050mfp, and the HP Color LaserJet 4730mfp and 9500mfp

1. On the control panel, press the **Menu** button to display the main menu.
2. Touch **FAX** to display the fax menu.
3. Touch **CANCEL CURRENT TRANSMISSION** to cancel the fax.

---


 **NOTE:** While a fax or faxes are being deleted, a canceling fax message displays in the status bar.

---

### Cancel the current fax transmission using the Stop button on the HP LaserJet 4345mfp and 9040/9050mfp, and the HP Color LaserJet 4730mfp and 9500mfp

1. On the MFP control panel, press the **FAX** icon.
2. Press the red **Stop/Cancel** button.

---


 **NOTE:** The status message **Processing job** displays on the MFP when the red **Stop/Cancel** is pressed to cancel the fax.

---

### Cancel the current fax transmission on the HP LaserJet M3025 MFP, M3027 MFP, M4345 MFP, M5025 MFP, M5035 MFP, M9040 MFP, M9050 MFP and HP Color LaserJet CM4730 MFP and CM6040 MFP Series

1. On the control panel, press the red **Stop** button to display the Cancel Fax menu.

---

 **NOTE:** All current and pending Fax jobs on the device will continue progress until the cancellation is confirmed with **OK**

---

2. Touch **Cancel current fax job** to cancel the current fax job.
3. Touch **OK** to cancel the current fax transmission.

## Cancel all pending faxes

This deletes all outgoing faxes stored in memory. However, if a fax is in the process of being transmitted, that fax is not deleted and will be sent.

---

 **NOTE:** If other outgoing faxes are waiting in memory, they will also be deleted.

---

### Cancel all pending faxes on the HP LaserJet 4345mfp and 9040/9050mfp, and the HP Color LaserJet 4730mfp and 9500mfp


1. On the control panel, press the **Menu** button to display the main menu.
2. Touch **FAX** to display the fax menu.
3. Touch **CANCEL ALL PENDING TRANSMISSIONS** to cancel all stored faxes.



**Cancel all pending faxes on the HP LaserJet M3025 MFP, M3027 MFP, M4345 MFP, M5025 MFP, M5035 MFP, M9040 MFP, M9050 MFP and HP Color LaserJet CM4730 MFP and CM6040 MFP Series**

1. On the control panel, press the red **Stop** button to display the Cancel Fax menu.

---

 **NOTE:** All current and pending Fax jobs on the device will continue progress until the cancellation is confirmed with **OK**.

---

2. Touch **Cancel all fax jobs** to cancel all current and pending fax jobs.
3. Touch **OK** to cancel all current and pending fax jobs.

## Receiving faxes


When the fax accessory receives incoming faxes, it stores them in memory before printing. After the entire fax is stored, it is printed and then deleted from memory. Faxes print when received unless Schedule Printing of Faxes is enabled. If Schedule Printing of Faxes is enabled, all incoming faxes are stored in memory and not printed. When Schedule Printing of Faxes is disabled, all stored faxes print. For more information, see [Scheduling fax printing \(memory lock\) on page 91](#).

You can change the fax-receive default settings to modify the way a fax is received. These settings include the following options:

- Selecting the number of rings-to-answer
- Printing date, time, and page number on faxes (stamp)
- Selecting input paper tray and destination bin
- Forwarding faxes to another number
- Blocking faxes from certain numbers
- Schedule the printing of faxes (memory lock)

For information about changing these menu settings, see [Set fax settings on page 41](#).

---

 **NOTE:** You cannot cancel incoming faxes.

---

# Creating and deleting speed dial lists

Speed dial allows you to assign a speed dial name to a single number or a group of numbers and then send a fax to that number or numbers by selecting the speed dial name.

## Create a speed dial list

**Create a speed dial list on the HP LaserJet 4345mfp and 9040/9050mfp, and the HP Color LaserJet 4730mfp and 9500mfp**

1. On the control panel main screen, touch the **FAX** icon to display the Fax screen.
2. Touch **Speed Dial** to display the Speed Dial screen.
3. Touch **Add** to display the New Speed Dial screen.
4. Type a number using the keypad. If you wish to enter more than one number, touch **Next Number** and enter another number. Repeat this step to enter all the numbers for the speed dial.
5. Touch the **Name** button to display the keyboard.
6. Type a name for the speed dial using the keyboard, and then touch **OK** to return to the New Speed Dial screen.
7. Touch **OK** to accept the speed dial.

**Create a speed dial list on the HP LaserJet M3025 MFP, M3027 MFP, M4345 MFP, M5025 MFP, M5035 MFP, M9040 MFP, M9050 MFP and HP Color LaserJet CM4730 MFP and CM6040 MFP Series**

1. On the control panel, touch the **FAX** icon to display the Fax screen.
2. Touch **Speed Dials** to display the Speed Dial screen.
3. Touch a **Speed Dial number**.
4. Touch the **Speed Dial Name** box to display the keyboard.
5. Type a name for the speed dial and touch **OK** to return to the **Speed Dials** screen.
6. Touch the **Fax Numbers** box to display the keyboard.
7. Type a fax number for the **Speed Dial Name** and touch **OK** to return to the **Speed Dials** screen.
8. Touch the **Speed Dial** number selected for the Speed Dial Name to save. The name and fax number will appear next to the **Speed Dial number**.
9. Repeat steps 3-8 to enter all the numbers for the speed dial
10. When finished, press **OK** to return to the Fax screen

## Delete a speed dial list

**Delete a speed dial list on the HP LaserJet 4345mfp, 9040/9050mfp, and 5035mfp, and the HP Color LaserJet 4730mfp and 9500mfp**

1. On the control panel main screen, touch the **FAX** icon to display the Fax screen.
2. Touch **Speed Dial** to display the Speed Dial screen.

3. Select a speed dial name in the speed dial list.
4. Touch **Delete** to delete the speed dial list.
5. Touch **Yes** to confirm the deletion; or, touch **No** to retain the list.
6. Touch **OK** to return to the Fax screen.

**Delete a speed dial list on the HP LaserJet M3025 MFP, M3027 MFP, M4345 MFP, M5025 MFP, M5035 MFP, M9040 MFP, M9050 MFP and HP Color LaserJet CM4730 MFP and CM6040 MFP Series**

1. On the control panel main screen, touch the **FAX** icon to display the Fax screen.
2. Touch **Speed Dial** to display the Speed Dial screen.
3. Touch a **Speed Dial** number of the list to be deleted.
4. Touch **Delete**.
5. The next screen will ask to confirm the deletion.
6. Touch **Yes** to delete the speed dial list.
7. Touch **Yes** again to return to the Fax screen.

## Delete a single number from the speed dial list

**Delete a single number from a speed dial list on the HP LaserJet 4345mfp, 9040/9050mfp, and 5035mfp, and the HP Color LaserJet 4730mfp, and 9500mfp**

1. On the control panel main screen, touch the **FAX** icon to display the Fax screen.
2. Touch **Speed Dial** to display the Speed Dial screen.
3. Touch the check box in front of the speed dial which holds the number you wish to delete. You may need to use the scroll arrows to display the speed dial name.
4. Touch **Details** to display the list of numbers for the speed dial.
5. Use the up and down scroll arrows to highlight a number to delete.
6. Touch **Remove** or **Remove All**.
7. Touch **OK** or **Cancel**.

**Delete a single number from a speed dial list on the HP LaserJet M3025 MFP, M3027 MFP, M4345 MFP, M5025 MFP, M5035 MFP, M9040 MFP, M9050 MFP and HP Color LaserJet CM4730 MFP and CM6040 MFP Series**

1. On the control panel, touch the **FAX** icon to display the Fax screen.
2. Touch **Speed Dials** to display the Speed Dial screen.
3. Touch the **Speed Dial** number of the list to be edited.
4. Touch the Fax Numbers box to display the keyboard.
5. Scroll through the list of fax numbers and touch the screen to the right of last digit of the fax number to be deleted. Use the backspace key to delete the fax number.

6. Touch **OK** to return to the **Speed Dials** screen.
7. Touch **OK** to return to the Fax screen.


## Add a number to an existing speed dial list

**Add a number to an existing speed dial list on the HP LaserJet 4345mfp, 9040/9050mfp, and 5035mfp, and the HP Color LaserJet 4730mfp and 9500mfp**

1. On the control panel main screen, touch the **FAX** icon to display the Fax screen.
2. Touch **Speed Dial** to display the Speed Dial screen.
3. Touch the check box in front of the speed dial. You may need to use the scroll arrows to display the speed dial name.
4. Touch **Details** to display the list of numbers for the speed dial.
5. Touch **Next Number**.
6. Type a number using the keypad. Repeat this step to enter all the numbers for the speed dial.
7. Touch **OK** to accept the speed dial.

**Add a number to an existing speed dial list on the HP LaserJet M3025 MFP, M3027 MFP, M4345 MFP, M5025 MFP, M5035 MFP, M9040 MFP, M9050 MFP and HP Color LaserJet CM4730 MFP and CM6040 MFP Series**

1. On the control panel, touch the **FAX** icon to display the Fax screen.
2. Touch **Speed Dials** to display the Speed Dial screen.
3. Touch the **Speed Dial** number of the list to be edited.
4. Touch the **Fax Numbers** box to display the keyboard.
5. Using the keyboard, type the fax number to add to the speed dial list.

 **NOTE:** The cursor defaults to the next open space below the last entered fax number of the speed dial list.

---

6. Touch **OK** to return to the **Speed Dials** screen.
7. Touch **OK** to return to the Fax screen.

## Assigning speed dial lists to one-touch keys

The one-touch keypad allows you to send a fax to a speed dial list simply by touching a one-touch key. However, before using the one-touch keys, you must create a speed dial list and assign the speed dial name to a one-touch key.

### Assign a speed dial to a one-touch key for the HP LaserJet 4345mfp and 9040/9050mfp, and the HP Color LaserJet 4730mfp and 9500mfp

1. Create a speed dial. For more information, see [Creating and deleting speed dial lists on page 83](#).
2. Touch **Configure** on the fax screen to open the One-Touch Button Configuration screen.
3. Touch any **(Available)** number you want to assign to the speed dial.
4. On the **Speed Dial List**, select the speed dial check box you want to assign to the key.
5. Touch **OK**.
6. Touch **OK** to accept the settings.

### Clear or reassign speed dial lists to one-touch keys for the HP LaserJet 4345mfp and 9040/9050mfp, and the HP Color LaserJet 4730mfp and 9500mfp

If you want to remove a speed dial list from a one-touch button, perform the following steps.

1. Touch **Configure** on the one-touch keypad to open the One-Touch Button Configuration screen.
2. Touch the number key with the speed dial name that you want to remove.
3. The **Button is already configured** screen opens. Touch **Clear** to remove the speed dial name from the one-touch button, or touch **Reassign** to assign a different speed dial name to the key, or touch **Cancel** to return to the One-Touch Button Configuration screen.
4. Touch **OK** to accept the settings.

## Voice Calls and Retries


Voice calls are not included in the Fax Activity log and do not generate a T.30 report. The following sections provide information on retries of a fax job.

### Fax Call Report

When all fax attempts have been exhausted, a Fax Call Report will be printed for a fax send. It shows the fax job log ID. The result of the final attempt is printed on the Fax Call Report.

A Fax Call Report does not print for voice calls.

---

 **NOTE:** A Fax Call Report only generates Job numbers for final attempts. If one of these reports is printed manually from the menu and the last call was neither the final attempt nor a Voice call the Job number will be zero.

---

### Fax Activity Log

Voice Calls are not included in the Fax Activity Log by default. Only the final attempt will be displayed in the Fax Activity Log.

### T.30 Report

Voice Calls will not cause a T.30 report to print. All retry attempts will cause a T.30 report to print.

## Secure settings

Two settings, fax forwarding and fax printing, are secure features and require a PIN. The first time you access either setting, you will be required to create a PIN. After you create that PIN, it is used to access both features. That is, if a PIN that has been created for fax forwarding it is also used to access fax printing, or if the PIN was first created for fax printing, it must be used to access fax forwarding. Only one PIN can be created to access these secure settings.

If fax call report is enabled with thumbnails, a report prints with a thumbnail of the first page of the fax when fax printing or fax forwarding is enabled. If you want secure fax printing, disable printing the thumbnail on the fax call report.

## Change your PIN

This procedure describes how to change your existing PIN.

- △ **CAUTION:** Always save your PIN in a secure place. If you lose your PIN, you must contact HP Service Support for information about how to reset the PIN. For more information, see [HP Customer Care on page 121](#).

### Change your PIN on the HP LaserJet 4345mfp and 9040/9050mfp, and the HP Color LaserJet 4730mfp and 9500mfp

1. On the control panel, press the **Menu** button to open the main menu.
2. Touch **FAX** to open the fax menu.
3. Scroll to and touch **FAX RECEIVE**.
4. Scroll to and touch **FORWARD FAX** or **Fax Printing** to open the settings screen.
5. Touch **Change PIN** to open the PIN screen.
6. Using the keypad, type the PIN (at least four digits), and then touch **OK** to open the **Change PIN** screen.
7. Type a new PIN by using the keypad, and then press **OK**.
8. Verify the PIN by typing it again, and then touch **OK** to save the new PIN.

### Change your PIN on the HP LaserJet M3025 MFP, M3027 MFP, M4345 MFP, M5025 MFP, M5035 MFP, M9040 MFP, M9050 MFP and HP Color LaserJet CM4730 MFP and CM6040 MFP Series


1. On the control panel, scroll to and touch the **Administration** icon to open the Administration menu.
2. Touch **Default Job Options** to display the Default Job Options menu.
3. Touch **Default Fax Options** to display the Default Fax Options menu.
4. Touch **Fax Receive** to display the Fax Receive screen.
5. Touch **Fax Forwarding** to display the PIN screen.
6. Using the keypad, type the PIN (at least four digits), and then touch **OK** to display the Fax Forwarding screen.
7. Touch **Change PIN** to display the PIN screen.
8. Using the keypad, type the new PIN (at least four digits), and then touch **OK**.



9. Using the keypad, confirm the new PIN, and then touch **OK**.
10. Touch **OK** again.


## Set fax forwarding

Use the forward fax setting to forward all received faxes to another fax number. When forward fax is enabled, the receiving MFP prints the fax (if fax printing is disabled, the fax prints when the printing is enabled), and also forwards the fax to the fax forward number.

 **NOTE:** If the fax fails to forward to another phone number, the device will not attempt to forward the fax again. All faxes are forwarded in fine or standard resolution.

### Set fax forwarding from the HP LaserJet 4345mfp and 9040/9050mfp, and the HP Color LaserJet 4730mfp and 9500mfp

1. On the control panel, press the **Menu** button to open the main menu.
2. Touch **FAX** to open the fax menu.
3. Scroll to and touch **FAX RECEIVE**.
4. Scroll to and touch **FORWARD FAX** to open the PIN screen.
5. Using the keypad, type your PIN (must be at least four digits) and touch **OK**. If you have an existing PIN, the **Forward to Number** screen opens. If a PIN has not been created, you are prompted to verify the new PIN by typing it again, and then press **OK**.

 **NOTE:** Always save your PIN in a secure place. If you lose your PIN, you must contact HP Service Support for information about how to reset the PIN. For more information, see [HP Customer Care on page 121](#).

6. Touch **Fax Forwarding** to open the FAX FORWARDING settings screen.
7. Touch **Forward to Number** to make the keypad available.
8. Type the fax forward phone number, and then touch **OK** to enable fax forwarding.


### Set fax forwarding on the HP LaserJet M3025 MFP, M3027 MFP, M4345 MFP, M5025 MFP, M5035 MFP, M9040 MFP, M9050 MFP and HP Color LaserJet CM4730 MFP and CM6040 MFP Series

1. On the control panel, scroll to and touch the **Administration** icon to open the Administration menu.
2. Touch **Default Job Options** to display the Default Job Options menu.
3. Touch **Default Fax Options** to display the Default Fax Options menu.
4. Touch **Fax Receive** to display the Fax Receive screen.
5. Touch **Fax Forwarding** to display the PIN screen.
6. Using the keypad, type the PIN (at least four digits), and then touch **OK** to display the Fax Forwarding screen.
7. Touch **Fax Forwarding**.
8. Touch **Custom** and touch **save** to display the Set Fax Forwarding screen.
9. Touch **Forward to Number** to display the Forward to Number screen.
10. Touch the text box to enter the fax forward phone number and touch **OK**.

## Scheduling fax printing (memory lock)


Use the fax printing feature to specify when faxes print. There are three fax printing modes that can be selected. The selections are [Store all received faxes](#), [Print all received faxes](#), or [Use fax printing schedule](#).

If [Store all received faxes](#) is selected, then all incoming faxes will be stored in memory and not printed. It is possible to access fax jobs stored in memory through the [MFP Retrieve Job](#) menu. Using this menu, you can print or delete print jobs while they are stored in memory. For additional information about this feature, see the Retrieve Job menu description in the MFP user guide.

 **NOTE:** The [MFP Retrieve Job](#) option is only available to the HP LaserJet 4345mfp and the HP Color LaserJet 4730mfp, 9040/9050mfp, and 9500mfp. For the HP LaserJet M3035 MFP, M3027 MFP, M4345 MFP, M5025 MFP, M5035 MFP, M9040 MFP, M9050 MFP and HP Color LaserJet CM4730 MFP and CM6040 MFP Series, retrieved stored faxes can be accessed by entering the [Fax Printing](#) menu and changing the mode to [Print all received faxes](#).

If [Print all received faxes](#) is selected, then all incoming faxes will be printed. Any faxes that are currently stored in memory will also be printed.

If [Use fax printing schedule](#) is selected, then faxes will be only printed per the fax printing schedule. The fax printing schedule can be set to lockout an entire day (24 hours) or lockout a time period during the day. Only one lockout period can be set, but it can be applied to any number of days. The lockout period is setup under the [Fax Printing](#) menu. For more information, see [Create a fax printing schedule on page 93](#).


 **NOTE:** When the lockout time ends, any faxes that were received and stored during the lockout period are printed automatically.

## Fax-printing behavior

To increase fax security, the behavior of the Fax Printing feature changed with the release of the HP LaserJet M5035 MFP, M5025 MFP, M3035 MFP, M3027 MFP, M4345 MFP, M9040 MFP, M9050 MFP and HP Color LaserJet CM4730 MFP and CM6040 MFP Series. The key differences are how call reports, T.30 reports, report menus, and the control panel status line are handled or displayed. The following table assumes that Fax Printing is enabled.

	Menu setting for call report and/or T.30 Report	When fax is received, how are call report/T.30 report handled?	What happens when a stored fax is printed?	What happens to menus for fax reports & T.30 report?	Does the control panel show incoming telephone number?
Legacy MFP Operation (9500, 9040/50, 4345, 4730)	Never	Not printed	Fax prints	Shown	Yes
	Every fax	Not printed	Fax prints	Shown	Yes
M5035, M5025, M3035, M3027, M4345, M9040, M9050, CM4730, CM6040 MFPs	Never	Not printed	Fax prints	Hidden	Hidden
	Every fax	Not printed and stored with fax	Fax prints, call report(s) prints	Hidden	Hidden


## Enable or disable the schedule for printing of faxes

 **NOTE:** Before enabling a fax-printing schedule, a schedule must be created. For more information, see [Create a fax printing schedule on page 93](#).

---

### Enable/disable the schedule for printing of faxes on the HP LaserJet 4345mfp and 9040/9050mfp, and the HP Color LaserJet 4730mfp and 9500mfp

1. On the control panel, press the **Menu** button to display the main menu.
2. Touch **FAX** to display the fax menu.
3. Scroll to and touch **FAX RECEIVE**.
4. Scroll to and touch **Fax Printing** to display the PIN menu.
5. Type your PIN (must be at least four digits) and touch **OK** to display the **Fax Printing** menu. If you do not have a PIN, you will be prompted to create one.

 **NOTE:** Always save your PIN in a secure place. If you lose your PIN, you must contact HP Service Support for information on how to reset the PIN. For more information, see [HP Customer Care on page 121](#).


---

6. Touch **Fax Printing Mode**.
7. Select a fax printing mode:
  - Touch **Store all received faxes** to disable printing of faxes and store all received faxes to memory.
  - Touch **Print all received faxes** to allow all stored faxes to print and to print all faxes as received.
  - Touch **Create Fax Printing Schedule** to use the fax printing schedule to automatically turn on and off the printing of faxes.
8. Touch **OK** to exit.

### Enable/disable the schedule for printing of faxes on the HP LaserJet M3025 MFP, M3027 MFP, M4345 MFP, M5025 MFP, M5035 MFP, M9040 MFP, M9050 MFP and HP Color LaserJet CM4730 MFP and CM6040 MFP Series

1. On the control panel, scroll to and touch the **Administration** icon to open the Administration menu.
2. Scroll to and touch **Time/Scheduling** to display the Time/Scheduling screen.
3. Scroll to and touch **Fax Printing** to display the PIN menu.
4. Touch the text box to display the keyboard.
5. Using the keypad, type the PIN (at least four digits), and then touch **OK** to display the Fax Printing menu.

If you do not have a PIN, you will be prompted to create one.


 **NOTE:** Always save your PIN in a secure place. If you lose your PIN, you must contact HP Service Support for information on how to reset the PIN. For more information, see [HP Customer Care on page 121](#).

---

6. Scroll to and touch **Fax Printing Mode**.

7. Select a fax printing mode:
  - Scroll to and touch **Store all received faxes** to disable printing of faxes and store all received faxes to memory.
  - Scroll to and touch **Print all received faxes** to allow all stored faxes to print and to print all faxes as received.
  - Scroll to and touch **Use fax printing schedule** to use the fax printing schedule to automatically turn on and off the printing of faxes.
8. Scroll to and touch **Save** to exit.

---

 **NOTE:** Fax printing and fax forwarding use the same PIN. If you have created a PIN for fax forwarding, use that PIN here.

---

## Create a fax printing schedule

### Create a fax printing schedule for the HP LaserJet 4345mfp and 9040/9050mfp, and the HP Color LaserJet 4730mfp and 9500mfp

1. On the control panel, press the **Menu** button to display the main menu.
2. Touch **FAX** to display the fax menu.
3. Scroll to and touch **FAX RECEIVE**.
4. Scroll to and touch **Fax Printing** to display the PIN menu.
5. Type your PIN and touch **OK** to display the **Fax Printing** menu. If you do not have a PIN, you will be prompted to create one.
6. Touch **Create Fax Printing Schedule** to display the schedule settings.
7. Touch **Print End Time** to set the scheduled time when faxes will not print (begin the lockout period when faxes store to memory), select a time, and then touch **OK**.
8. Touch **Print Start Time** to set the scheduled time when faxes will start printing (end the lockout period when faxes are not stored to memory), select a time, and then touch **OK**.
9. Touch **Schedule Days** to display the list of days.
10. Touch **STORE ALL FAXES** to lockout the day (24 hours)
11. Touch **OK** to exit.


### Create a fax printing schedule on the HP LaserJet M3025 MFP, M3027 MFP, M4345 MFP, M5025 MFP, M5035 MFP, M9040 MFP, M9050 MFP and HP Color LaserJet CM4730 MFP and CM6040 MFP Series

1. On the control panel, scroll to and touch the **Administration** icon to open the Administration menu.
2. Touch **Time/Scheduling** to display the Time/Scheduling screen.
3. Touch **Fax Printing** to display the PIN menu.
4. Touch the text box to display the keyboard.
5. Using the keypad, type the PIN (at least four digits), and then touch **OK** to display the Fax Printing menu.

If you do not have a PIN, you will be prompted to create one.

6. Touch **Fax Printing Mode**, then touch **Use fax printing schedule**.
7. Touch **Create Fax Printing Schedule** to display the schedule settings. To edit the start/stop times, select a day, select **As Scheduled**, then touch **Save**.

---

 **NOTE:** The following menu allows you to edit the print start time or the print end time. To edit both, touch **Back** after editing one to return to the previous menu and then select the other.

---

8. Touch **Print Start Time** to set the scheduled time when faxes will start printing (end the lockout period when faxes are not stored to memory).
  - a. Touch the text box to display the keyboard.
  - b. Type a value for the hour, and then touch **OK**.
  - c. Touch **Save** to save the hour setting.
  - d. Touch the text box to display the keyboard.
  - e. Type a value (1–59) for the minutes, and then touch **OK**.
  - f. Touch **Save** to save the minutes setting.
  - g. Touch **AM** or **PM**.
  - h. A prompt appears asking to apply the changes to all scheduled days. Touch **Yes**, to apply the changes to all scheduled days, or touch **No** to apply the changes only to the currently selected scheduled date.
  - i. Touch **Save**.
9. Touch **Print End Time** to set the scheduled time when faxes will not print (begin the lockout period when faxes store to memory).
  - a. Touch the text box to display the keyboard.
  - b. Type a value for the hour, and then touch **OK**.
  - c. Touch **Save** to save the hour setting.
  - d. Touch the text box to display the keyboard.
  - e. Type a value (1–59) for the minutes, and then touch **OK**.
  - f. Touch **Save** to save the minutes setting.
  - g. Touch **AM** or **PM**.
  - h. A prompt appears asking to apply the changes to all scheduled days. Touch **Yes**, to apply the changes to all scheduled days, or touch **No** to apply the changes only to the currently selected scheduled date.
  - i. Touch **Save**.

## Using Fax over VoIP networks

VoIP technology converts the analog phone signal into digital bits. These are then assembled into packets which travel on the Internet. The packets are converted and transmitted back to analog signals at or near the destination.

The transmission of the information on the Internet is done digitally instead of analog. Therefore, there are different constraints on the fax transmission that may require different fax settings than the analog Public Switched Telephone Network (PSTN). Fax is very dependent upon timing and signal quality, so a fax transmission is more sensitive to a VoIP environment.

**The following are suggested changes in settings for the Analog Fax Accessory 300 when it is connected to a VoIP service:**

- Start off with the fax set in V.34 mode and with Error Correction Mode (ECM) turned on. The V.34 protocol handles any changes in transmission speed needed to accommodate VoIP networks.
- If numerous errors or retries occur with the unit set to V.34, set V.34 Off and set Maximum Baud Rate to 14,400 bps.
- If errors and retries persist, set a lower fax speed as some VoIP systems cannot handle the higher signal rates associated with fax. Set the Maximum Baud Rate to 9,600 bps.
- In rare cases, if errors persist, turn off ECM on the product. The image quality might decrease. Ensure that the image quality is acceptable with ECM off before using this setting.
- If the preceding setting changes have not improved the VoIP fax reliability, contact your VoIP provider for help.





---

## 4 Solve fax problems


Use the information in this chapter to troubleshoot general fax issues.

Before you can use your fax accessory, you must complete the following tasks:

- Select a location
- Set the date, time, and fax header

When the fax accessory is installed for the first time, the settings must be entered manually by the administrator through the menus, or the fax configuration wizard at initial power up.

---

 **NOTE:** In the U.S. and many other countries/regions, setting the date, time, and other fax header information is a legal requirement.


---


## Is your fax set up correctly?

Use the following checklist to help identify the cause of any fax related problems you are encountering:

- **Are you using the phone cord supplied with the fax accessory?** This fax accessory has been tested with the supplied phone cord to meet RJ11 specifications. Do not substitute another phone cord; the analog-fax accessory requires an analog phone cord. It also requires an analog phone connection.
- **Is the fax/phone line connector seated in the socket on the fax accessory?** Make sure that the phone jack is well seated in the socket. The connector should be inserted into the socket until it "clicks."
- **Is the phone wall jack working properly?** Verify that a dial tone exists by attaching a phone to the wall jack. Can you hear a dial tone, and can you make a phone call?

## What type of phone line are you using?

- **Dedicated line:** A standard fax/phone number assigned to receive or send faxes.
- 
-  **NOTE:** The phone line should be for mfp fax use only and not shared with other types of telephone devices. Examples include alarm systems that use the phone line for notifications to a monitoring companies.
- 
- **PBX system:** A business-environment phone system. Standard home phones and the fax accessory use an analog phone signal. Some PBX systems are digital and might not be compatible with the fax accessory. You need to have access to a standard analog phone line to be able to send and receive faxes.
  - **Roll-over lines:** A phone system feature where a new call "rolls over" to the next available line when the first incoming line is busy. Try attaching the fax accessory to the first incoming phone line. The fax accessory will answer the phone after it rings the number of times set in the rings-to-answer setting.

 **NOTE:** Roll-over lines can cause problems with the fax accessory's ability to receive faxes. Using roll-over lines with this product is not recommended.

---

## Are you using a surge-protection device?

A surge-protection device can be used between the wall jack and the fax accessory to protect the fax accessory against electrical power passed through the phone lines. These devices can cause some fax communication problems by degrading the quality of the phone signal. If you are having problems sending or receiving faxes and are using one of these devices, connect the fax accessory directly to the phone jack on the wall to determine whether the problem is with the surge-protection device.

## Are you using a phone company voice-messaging service or an answering machine?

If the rings-to-answer setting for the messaging service is lower than the rings-to-answer setting for the fax accessory, the messaging service answers the call, and the fax accessory is not able to receive faxes. If the rings-to-answer setting for the fax accessory is lower than that of the messaging service, the fax accessory answers all calls, and no calls are routed to the messaging service.

# Checking fax accessory status

If the analog-fax accessory does not appear to be functioning, print a Fax Accessory Page to check the status.

## Print the Fax Accessory Page on the HP LaserJet 4345mfp and 9040/9050mfp, and the HP Color LaserJet 4730mfp and 9500mfp

1. On the control panel, press the **Menu** button to open the main menu.
2. Touch **INFORMATION PAGE** to open the information menu.
3. Touch **PRINT CONFIGURATION** to print the configuration pages.

## Print the Fax Accessory Page on the HP LaserJet M3025 MFP, M3027 MFP, M4345 MFP, M5025 MFP, M5035 MFP, M9040 MFP, M9050 MFP and HP Color LaserJet CM4730 MFP and CM6040 MFP Series

1. On the control panel, scroll to and touch the **Administration** icon to open the Administration menu.
2. Scroll to and touch **Information**.
3. Scroll to and touch **Configuration/Status Pages**.
4. Scroll to and touch **Configuration Page** to print the configuration pages.

On the Fax Accessory Page of the Information Page, under the **HARDWARE INFORMATION** heading, check the **MODEM STATUS**. The following table identifies the status conditions and possible solutions.

OPERATIONAL / ENABLED <sup>1</sup>	The analog-fax accessory is installed and ready.
OPERATIONAL / DISABLED <sup>1</sup>	The fax accessory is installed and operational, however, HP Digital Sending utility has either disabled the MFP fax feature or has enabled LAN fax. When LAN fax is enabled, the analog-fax feature is disabled. Only one fax feature, either LAN fax or analog fax, can be enabled at a time.
NON-OPERATIONAL / ENABLED/DISABLED <sup>1</sup>	A firmware failure has been identified. The firmware should be updated, see <a href="#">Firmware upgrades on page 117</a> .
DAMAGED / ENABLED/DISABLED <sup>1</sup>	Fax accessory has failed; reseal the fax accessory card and check for bent pins. If the status is still DAMAGED, replace the analog-fax accessory card.

<sup>1</sup> ENABLED indicates that the analog fax accessory is enabled, turned on; DISABLED indicates that LAN fax is enabled (analog fax is turned off).

# Fax feature is not operating

Use the table in this section to identify and solve fax malfunctions.

## The fax accessory is installed but the icon does not appear on the MFP main screen.

Cause	Solution
HP MFP Digital Sending Software Configuration utility has disabled the analog-fax feature.	Use the HP MFP Digital Sending Software Configuration utility to enable the analog-fax feature.
The accessory is not operating correctly.	Check the fax accessory status, see <a href="#">Checking fax accessory status on page 99</a> . If the status is  NON-OPERATIONAL, new firmware might need to be installed.  If the status is DAMAGED and you just installed the card, try reseating the card and check for bent pins.  If the status is DAMAGED and the card is installed correctly, the card might need to be replaced.
Faulty formatter board.	Contact your HP service representative for service, see <a href="#">HP Customer Care on page 121</a> .

## The MFP is not displaying the fax menus.

Cause	Solution
LAN fax is enabled.	This is normal operation. When the HP Digital Sending Software enables LAN fax, the analog fax is disabled and the fax menu, which is used for the analog fax only, does not open.

# General fax problems

Use the table in this section to solve fax problems.

Problem	Cause	Solution
Fax failed to send.	JBIG is enabled and receiving fax does not have JBIG capability.	Set JBIG off.
An "Out of Memory" status message appears on the status message bar.	The MFP storage disk is full.	Delete some files from the disk, see the MFP user guide for information about managing the disk.
Print quality of a photo is poor or prints as a gray box.	Wrong Page Content mode setting.	Try setting the Page Content mode to Graphics or Text and Graphics, see <a href="#">Send a fax - enter number(s) manually on page 70</a> , or refer to Page Content mode in the MFP user guide.
Pressed the Cancel button on the MFP keyboard to cancel a fax transmission and the fax was still sent.	The <b>Cancel</b> button only is functional on some mfps (9040, 9050, 4345, 4730, 9500) if the fax job screen is being displayed. Also, there can be a delay of up to 30 seconds before the cancellation takes place. On newer MFPs (M5035, M3025 MFP, M3027 MFP, M4345 MFP, M5025 MFP, M5035 MFP, M9040 MFP, M9050 MFP and HP CM4730 MFP and CM6040 MFP Series) cancellation takes place after making a selection in the cancellation menu (displayed after pressing red <b>Stop</b> button) and acknowledging with <b>OK</b> .	Cancel faxes using the fax menu, see <a href="#">Canceling a fax on page 80</a> .
No Phone Book button appears.	The Phone Book feature has not been enabled.	Use the HP MFP Digital Sending Software Configuration utility to enable the phone book feature.
Not able to locate the Fax settings in HP Web Jetadmin.	Fax settings in HP Web Jetadmin are located under the device's status page drop-down menu.	Select <b>Digital Sending and Fax</b> from the drop-down menu. For more information, see <a href="#">HP Web Jetadmin on page 42</a> .
The header is being appended to the top of the page when I have overlay enabled.	The fax will append the overlay header to the top of a page when overlay is set, when the fax has been forwarded.	This is normal operation.
Have a mix of names and numbers in the recipients box.	This is normal for both names and numbers to appear, depending on where they are from, the phone book lists names, and all other databases list numbers.	Normal, no action required.
My one page fax prints as two pages.	The fax header is being appended to the top of the fax, pushing text to a second page.	If you want your one page fax to print on one page, set the overlay header to overlay mode.
Document stops feeding in the middle of faxing.	There might be a jam in the ADF.	If there is a jam, see the MFP user guide for instructions on clearing jams.
The volume for sounds coming from the fax accessory is too high or too low.	The volume setting needs to be adjusted.	See <a href="#">Set the ringer volume on page 63</a> for information about changing the sound volume settings.

# Receiving fax problems

Use the table in this section to solve problems that might occur when receiving faxes.

## Incoming fax calls are not being answered by the fax accessory (no fax detected).

Cause	Solution
The rings-to-answer setting might not be set correctly.	Check the rings-to-answer setting.
The phone cord might not be connected properly, or the phone cord is not working.	Check the installation. Make sure you are using the phone cord that came with the fax accessory.
The phone line might not be working.	Disconnect the fax accessory from the phone jack, and connect a phone. Try to make a phone call to ensure the phone line is working.
A voice-messaging service might be interfering with the fax accessory's ability to answer calls.	Do one of the following: <ul style="list-style-type: none"><li>● Discontinue the messaging service.</li><li>● Get a phone line dedicated to fax calls.</li><li>● Decrease the rings-to-answer for the fax accessory to a number less than the rings-to-answer for the voice mail.</li></ul>

## Faxes are transmitting or being received very slowly.

Cause	Solution
You might be sending or receiving a very complex fax, such as one with many graphics.	Complex faxes take longer to be sent or received.
The receiving fax machine might have a slow modem speed.	The fax accessory only sends the fax at the fastest modem speed the receiving fax machine can use.

## Faxes are transmitting or being received very slowly (continued).

Cause	Solution
The resolution at which the fax was sent or is being received is very high. A higher resolution typically results in better quality, but also requires a longer transmission time.	If you are receiving the fax, call and ask the sender to decrease the resolution and resend the fax. If you are sending, decrease the resolution and change the Page Content mode setting described under <a href="#">Send a fax - enter number(s) manually on page 70</a> .
If there is a poor phone-line connection, the fax accessory and the receiving fax machine slow down the transmission to adjust for errors.	Cancel and resend the fax. Have the phone company check the phone line.

## Faxes are not printing on the MFP.

Cause	Solution
There is no media in the media input tray.	Load media. Any faxes received while the input tray is empty are stored and will print after the tray has been refilled.

**Faxes are not printing on the MFP.**

<b>Cause</b>	<b>Solution</b>
Schedule Printing of Faxes is set.	If Schedule Printing of Faxes is enabled, faxes will not print until it is disabled. If you want to print your faxes, see <a href="#">Enable or disable the schedule for printing of faxes on page 92</a> .
The MFP is either low on toner or has run out of toner.	The MFP stops printing as soon as it is low on toner or runs out of toner. Any faxes received are stored in memory and print after the toner has been replaced. For other MFP printing problems, see the MFP user guide.
Incoming call may be a voice call.	Incoming voice calls usually show up in the call report as a <b>Communication Error (17)</b> As these are voice calls and not a fax error, no action is needed to be taken. Ensure that those calling you have a voice number that is different from the fax number.

## Sending fax problems

Use the table in this section to solve problems that might occur when sending faxes.

Problem	Cause	Solution
<b>Faxes quit during sending.</b>	The fax machine to which you are sending might be malfunctioning.	Try sending to another fax machine.
	Your phone line might not be working.	Disconnect the fax accessory from the phone jack, and connect a phone. Try to make a phone call to ensure the phone line is working.
	Your phone line might be noisy or poor quality	Try using a lower baud rate to improve the reliability of transmission. See maximum baud rate setting.
<b>The fax accessory is receiving faxes but is not sending them.</b>	If the fax accessory is on a PBX system, the PBX system might be generating a dial tone the fax accessory cannot detect.	Disable the detect dial tone setting.
	There might be a poor phone connection.	Try again later.
	The fax machine to which you are sending might be malfunctioning.	Try sending to another fax machine.
<b>Outgoing fax calls keep dialing.</b>	Your phone line might not be working.	Disconnect the fax accessory from the phone jack, and connect a phone. Try to make a phone call to ensure the phone line is working.
	The fax accessory automatically redials a fax number if the Redial on Busy option is set to on or if the Redial On No Answer is set on.	This is normal operation. If you do not want the fax to retry, set Redial on Busy to 0 and set Redial On No Answer to 0.
<b>Faxes you send are not arriving at the receiving fax machine.</b>	The receiving fax machine might be turned off or might have an error condition, such as being out of paper.	Call the recipient to make sure the fax machine is turned on and ready to receive faxes.
	A fax might be in memory because it is waiting to redial a busy number, or there are other jobs ahead of it waiting to be sent.	If a fax job is in memory for either of these reasons, an entry for the job appears in the fax log. Print the fax activity log, and check the <b>Result</b> column for jobs with a <b>Pending</b> designation.



## Error codes

If a fax problem occurs which prevents or interrupts sending or receiving of a fax, an error code is generated that will help in determining the cause of the problem. Error codes show up in the fax activity log, the fax call report, and the T.30 Protocol Trace (see [Service settings on page 115](#)). Print one of these three reports to obtain the error code. A detailed description of the error codes and the appropriate action can be found at <http://www.hp.com> by searching for the Q3701A or HP LaserJet MFP Analog Fax Accessory 300.

## Fax error messages

When an analog fax is sent or received on a LaserJet MFP, any errors that occur during the fax process will be displayed on the MFP control panel and entered into the fax reports. Fax errors can occur for many reasons and often they are due to interruptions or noise on the telephone connection. Any error that takes place during the fax process regardless of where it originates will be displayed by the MFP.

If the fax process is interrupted or an error occurs during a fax transmission or reception, a two part status/error description is generated by the fax subsystem on the MFP. Normal or successful faxes also generate messages indicating success. The message information consists of a text description and a numeric code (a few messages don't include numeric codes). Only the text part of the message will be displayed on the MFP control panel; however, both the text message and numeric code will be listed in the Fax Activity Report, Fax Call Report, and the Fax T.30 Trace (these fax reports can be printed out individually from the MFP control panel – under the **Administration > Information** and **Administration > Troubleshooting** menus). The numeric code is shown in parentheses after the text part of the message in the reports. For example, if a communication error occurred, the control panel display would show **Fax Failed: Communication Error**. The same error would be shown in the Result field in the Fax Activity Report as **Communication Error (17)**. For this example, the numeric code associated with this communication error is '17'.

The numeric code is generated by the fax modem. Usually a numeric code of (0) indicates a normal modem response. Some messages will always display a numeric code of (0), whereas other messages can have a range of numeric codes depending on the circumstances, and a few messages will have no numeric code. Usually a numeric code of (0) indicates an error was not associated with the fax modem, but occurred in another part of the fax subsystem. Non-zero error codes give further detail into the particular action or process that the modem is executing, and they don't necessarily indicate that there is a problem with the modem.

In the [Send-fax messages on page 107](#) and [Receive-fax messages on page 108](#) tables, the fax messages with the most common number codes are given with recommended corrective action. Several messages that are normal or indicate a normal event are also included in tables. For example, if a fax was not able to be sent to a busy number, a **Fail Busy** message will be shown. Nothing is wrong with the fax subsystem; the message indicates the fax was not completed due to a busy telephone number at the receiving end. Further troubleshooting information is available in the HP MFP Analog Fax 300 User Guide (available at <http://www.hp.com/go/mfpfaxaccessory300>).

Persistent error messages with numeric codes different than those listed here require assistance of customer support. A more detailed listing of the last fax call can be printed out before contacting customer support to help identify the problem. The detailed fax listing is called a Fax T.30 Trace and can be printed for the last fax, or it can be set to print whenever a fax error occurs. To print or configure the Fax T.30 Trace, press **Administration, Troubleshooting**, and then **Fax T.30 Trace**. You can then print the report for the last fax or configure when to print the T.30 trace.

## Send-fax messages

**Table 4-1 Send-fax messages**

Message	Error No.	Description	Action(s)
<b>Cancelled</b>	0	Fax was cancelled by user at control panel of MFP.	None.
<b>Success</b>	n/a	Fax sent successfully.	None.
<b>Fail Busy</b>	0	The receiving fax machine is busy.	The fax will be retired automatically (if configured), otherwise try resending fax later.
<b>No Answer</b>	0	The receiving fax machine is not answering the call.	The receiving fax machine may be disconnected or turned off; contact the receiver to check the machine. Try resending.
<b>Compression Error</b>	Any	Fax may be corrupted or not sent.	Try resending fax.
<b>No Dial</b>	0	No dial tone is detected when sending the fax.	Verify the phone line is active; set the sending fax to "not" to detect a dial tone.
<b>Modem Fail</b>	Any	Unexpected or bad response from the internal fax modem to MFP.	Try resending fax; if the error persists, contact service.
<b>Communication Error</b>	17 or 36	Lost telephone connection between sender and receiver.	Try resending the fax.
<b>Communication Error</b>	Any besides 17 or 36	General communications issue where the fax transmission was interrupted or did not proceed as expected.	Try resending fax; if the error persists, contact service.
<b>Space Fail</b>	0	Unable to read or write the fax image file to disk; could be corrupt MFP disk or no space available on the MFP's disk.	Try resending fax; if the error persists, contact service.
<b>Page Fail</b>	0	Incompatible page width, or page had too many bad lines.	Try resending fax; if the error persists, contact service.
<b>Memory Error</b>	0	Out of RAM memory on MFP.	If error persists, may need to add RAM to MFP.
<b>Job Fail</b>	Any	Fax failure; the fax job did not complete.	Try resending fax; if the error persists, contact service.
<b>Power Failure</b>	0	A power failure occurred during the fax transmission on the sending fax MFP.	Try resending the fax.
<b>No Fax Detected</b>	17 or 36	No fax machine was detected at receiving end.	Verify fax number and have receiver verify fax machine is on and connected; then try resending fax.

## Receive-fax messages

**Table 4-2 Receive-fax messages**

Message	Error No.	Description	Action(s)
<b>Success</b>	n/a	Fax received ok.	None.
<b>Blocked</b>	n/a	Fax reception was blocked by receiving fax machine using blocked number feature.	None.
<b>Modem Fail</b>	Any	Unexpected or bad response from the internal modem to the MFP - example is trying to send a fax just as another fax is arriving.	Have fax resent; if the error persists, contact service.
<b>Communication Error</b>	17, 36	Lost telephone connection or interruption between sender/receiver.	Have the sender resend the fax (if the sending machine does not automatically retry).
<b>Communication Error</b>	Any besides 17 or 36	General communications issue where the fax transmission was interrupted or did not proceed as expected.	Have fax resent; if the error persists, contact service.
<b>Space Fail</b>	0	Unable to read or write image file to disk; could be corrupt MFP disk or no space on disk.	Have fax resent; if the error persists, contact service.
<b>Page Fail</b>	0	Incompatible page width or page had too many bad lines.	Have fax resent; if the error persists, contact service.
<b>Memory Error</b>	0	Out of RAM memory on MFP.	If error persists, may need to add additional RAM memory to MFP.
<b>Compression Error</b>	0	Corrupted fax - the received image file cannot be decoded.	Have fax resent; enable ECM (Error Correction Mode) if not already.
<b>Print Fail</b>	0	Corrupted fax - the received image file cannot be decoded.	Have fax resent; enable ECM (Error Correction Mode) if not already.
<b>Poll Invalid</b>	0	The fax polling feature attempted to retrieve a fax from another machine but no fax was available.	Contact the administrator of the fax machine being polled and verify a fax is available, and then retry.
<b>Job Fail</b>	Any	Fax failure; this includes all non-specific failures.	Have fax resent; if the error persists, contact service.
<b>Power Failure</b>	0	A power failure occurred during the fax reception.	Have the sender resend the fax.
<b>No Fax Detected</b>	17, 36	A voice call was made to the fax.	None

# Fax logs and reports

## Printing the fax call report (include thumbnail)

The fax call report is a brief report that indicates the status of the last fax that was sent or received. If you want a thumbnail (a 62 percent reduction of the first page) of the fax printed on this report, select the Thumbnail on Report setting.


### Print the fax call report (include thumbnail) on the HP LaserJet 4345mfp and 9040/9050mfp, and the HP Color LaserJet 4730mfp and 9500mfp

1. On the control panel, press the **Menu** button to open the main menu.
2. Touch **FAX** to open the fax menu.
3. Scroll to and touch **REPORTS** to open the reports menu.
4. Touch **FAX CALL REPORT**.
5. If you want a thumbnail of first page of the fax, touch **THUMBNAIL ON REPORT**, and then complete *one* of these actions:
  - Touch **Yes** to include a thumbnail of the first page.
  - Touch **No** to disable printing a thumbnail on the report.
6. Touch **PRINT FAX CALL REPORT** to print a report for the most recent fax transmission.

### Print the fax call report (include thumbnail) on the HP LaserJet M3025 MFP, M3027 MFP, M4345 MFP, M5025 MFP, M5035 MFP, M9040 MFP, M9050 MFP and HP Color LaserJet CM4730 MFP and CM6040 MFP Series

1. On the control panel, touch the **Administration** icon to open the Administration menu.
2. Touch **Information** to display the Information menu.
3. Touch **Fax Reports** to display the Fax Reports menu.
4. Touch **Fax Call Report** to display the Fax Call Report screen.
5. If you want a thumbnail of first page of the fax, touch **THUMBNAIL ON REPORT**, and then:
  - Touch **Yes** to include a thumbnail of the first page.
  - Touch **No** to disable printing a thumbnail on the report.
6. Touch **Fax Call Report** to print the fax call report.
7. Touch **Auto Print** to set when the printer prints the **Fax Call Report**.
  - Touch **Never auto print** to never print a Fax Call Report.

---

 **NOTE:** If you select **Never auto print**, you will have no printed indication other than the touchscreen status bar message, that a fax failed to be transmitted, unless you print a fax activity log.

---

- Touch **Print after any fax job** to print a **Fax Call Report** after a fax is sent or received.
- Touch **Print after fax send jobs** to print a **Fax Call Report** after a fax is sent.

- Touch **Print after any fax error** (default) to print a **Fax Call Report** after the device detects a fax error.
- Touch **Print after receive errors only** to print a **Fax Call Report** after the device detects a fax receive error.

## To schedule fax call report printing

Use the When To Print Report setting to specify under what conditions you want to print the fax call report.


### Schedule fax call report printing for the HP LaserJet 4345mfp and 9040/9050mfp, and the HP Color LaserJet 4730mfp and 9500mfp

1. On the control panel, press the **Menu** button to open the main menu.
2. Touch **FAX** to open the fax menu.
3. Scroll to and touch **REPORTS** to open the reports menu.
4. Touch **FAX CALL REPORT**.
5. To enable or disable the thumbnail of each fax first page, touch **THUMBNAIL ON REPORT**, and then perform *one* of these actions:
  - Touch **Yes** to include a thumbnail of the first page report.
  - Touch **No** to disable printing a thumbnail on the report.
6. Touch **WHEN TO PRINT REPORT** to specify when to print this report, and then select the following options:
  - Every fax error
  - Send fax error
  - Receive fax error
  - Every fax
  - Send fax only
  - Never (default)

### Schedule fax call report printing on the HP LaserJet M3025 MFP, M3027 MFP, M4345 MFP, M5025 MFP, M5035 MFP, M9040 MFP, M9050 MFP and HP Color LaserJet CM4730 MFP and CM6040 MFP Series

1. On the control panel, scroll to and touch the **Administration** icon to open the Administration menu.
2. Touch **Information** then **Fax Reports**.
3. Touch **Fax Call Report** then **To Print Report**.
  - Touch **Never auto print** to never print a **Fax Call Report**.


---

 **NOTE:** If you select **Never auto print**, you will have no printed indication other than the touchscreen status-bar message, that a fax failed to be transmitted unless you print a fax activity log.

---

  - Touch **After any fax job** to print a **Fax Call Report** after a fax is sent or received.

- Touch **After fax send jobs** to print a **Fax Call Report** after a fax is sent.
- Touch **After any fax error** (default) to print a **Fax Call Report** after the device detects a fax error.
- Touch **After send errors only** to print a **Fax Call Report** after the device detects a fax send error.
- Touch **After receive errors only** to print a **Fax Call Report** after the device detects a fax receive error.

 **NOTE:** If you select Never, you will have no printed indication other than the touchscreen status-bar message, that a fax failed to be transmitted unless you print a fax activity log.

## Printing the fax activity log

- Date and time of all faxes received, sent, or failed to send
- Identification (phone number, if available)
- Duration (off-hook time)
- Number of pages
- Result (successfully sent, pending, or failed to send which includes error type and code)

The database stores the most recent 500 fax entries (older faxes are deleted from the log). The database fax entries include any fax session as an entry. For example, a fax session could be a sent fax, received fax, or firmware upgrades. Depending on the activity, there might be fewer than 500 entries in the report (unless you sent 500 faxes without receiving any faxes or other completing another activity).

If you want to use the log for record keeping purposes, you should print the log periodically (at least every 500 faxes) and then clear it.

To print the fax activity log, complete the following steps.

### Print the fax activity log on the HP LaserJet 4345mfp and 9040/9050mfp, and the HP Color LaserJet 4730mfp and 9500mfp

1. On the control panel, press the **Menu** button to open the main menu.
2. Touch **FAX** to open the fax menu.
3. Scroll to and touch **REPORTS** to open the reports menu.
4. Touch **PRINT FAX ACTIVITY LOG** to print the activity log.

### Print the fax activity log on the HP LaserJet M3025 MFP, M3027 MFP, M4345 MFP, M5025 MFP, M5035 MFP, M9040 MFP, M9050 MFP and HP Color LaserJet CM4730 MFP and CM6040 MFP Series

1. On the control panel, scroll to and touch the **Administration** icon to open the Administration menu.
2. Scroll to and touch **Information**.
3. Scroll to and touch **Fax Reports** then **Fax Activity Log**. (Prints report)

## Printing the billing code report

The billing code report is a list of the most recent 500 faxes that were successfully sent, listed by billing code. The following information is provided in this report.

- Billing code number
- Date and time of all faxes that were successfully sent
- Identification number
- Duration (off hook time)
- Number of pages sent
- Result (success)

The database stores the most recent 500 faxes (older faxes are deleted from the database). If you want to use the report for record keeping purposes, you should print the report periodically (at least every 500 faxes) and then clear it.

### Print the billing code report on the HP LaserJet 4345mfp and 9040/9050mfp, and the HP Color LaserJet 4730mfp and 9500mfp

1. On the control panel, press the **Menu** button to open the main menu.
2. Touch **FAX** to open the fax menu.
3. Scroll to and touch **REPORTS** to open the reports menu.
4. Touch **PRINT BILLING CODES REPORT** to print the report.

### Print the billing code report on the HP LaserJet M3025 MFP, M3027 MFP, M4345 MFP, M5025 MFP, M5035 MFP, M9040 MFP, M9050 MFP and HP Color LaserJet CM4730 MFP and CM6040 MFP Series

1. On the control panel, scroll to and touch the **Administration** icon to open the Administration menu.
2. Scroll to and touch **Information**.
3. Scroll to and touch **Fax Reports**.
4. Scroll to and touch **Billing Codes Report**.
5. Touch **Print** to print the report.

## Clearing the fax activity log and billing code report

The fax activity log and the billing code report use the same database. This setting clears the database and therefore clears both the activity log and the billing report data.

To clear the fax database, complete the following steps.

### Clearing the fax activity log and billing code report on the HP LaserJet 4345mfp and 9040/9050mfp, and the HP Color LaserJet 4730mfp and 9500mfp

1. On the control panel, press the **Menu** button to open the main menu.
2. Touch **FAX** to open the fax menu.
3. Scroll to and touch **FAX FUNCTIONS** to open the functions menu.



4. Touch **CLEAR ACTIVITY LOG**.
5. Touch **Yes** to clear all entries, or touch **No** to exit and retain the entries.

**Clearing the fax activity log and billing code report on the HP LaserJet M3025 MFP, M3027 MFP, M4345 MFP, M5025 MFP, M5035 MFP, M9040 MFP, M9050 MFP and HP Color LaserJet CM4730 MFP and CM6040 MFP Series**

1. On the control panel, touch the **Administration** icon to open the Fax menu.
2. Scroll to and touch **Resets** to open the menu.
3. Scroll to and touch **Clear Fax Activity Log**.
4. Touch **Yes** to clear all entries, or touch **No** to exit and retain the entries.

## Printing the blocked fax list report

**Printing the blocked fax list report on the HP LaserJet 4345mfp and 9040/9050mfp, and the HP Color LaserJet 4730mfp and 9500mfp**

1. On the control panel, press the **Menu** button to open the main menu.
2. Touch **FAX** to open the fax menu.
3. Scroll to and touch **REPORTS** to open the reports menu.
4. Touch **PRINT BLOCKED FAX LIST** to print the report.

**Printing the blocked fax list report on the HP LaserJet M3025 MFP, M3027 MFP, M4345 MFP, M5025 MFP, M5035 MFP, M9040 MFP, M9050 MFP and HP Color LaserJet CM4730 MFP and CM6040 MFP Series**

1. On the control panel, scroll to and touch the **Administration** icon to open the Administration menu.
2. Scroll to and touch **Information**.
3. Scroll to and touch **Fax Reports**
4. Touch **Blocked Fax List** to print the report.

## Printing the speed dial list report

A speed dial list report lists the fax numbers assigned to speed dial names.

**Print the speed dial list report on the HP LaserJet 4345mfp and the HP Color LaserJet 4730mfp, 9040/9050mfp, and 9500mfp**

1. On the control panel, press the **Menu** button to open the main menu.
2. Touch **FAX** to open the fax menu.
3. Scroll to and touch **REPORTS**.
4. Scroll to and touch **PRINT SPEED DIAL LIST** to print the report.

**Print the speed dial list report on the HP LaserJet M3025 MFP, M3027 MFP, M4345 MFP, M5025 MFP, M5035 MFP, M9040 MFP, M9050 MFP and HP Color LaserJet CM4730 MFP and CM6040 MFP Series**

1. On the control panel, scroll to and touch the **Administration** icon to open the Administration menu.
2. Scroll to and touch **Information**.
3. Scroll to and touch **Fax Reports**.
4. Touch **Speed Dial List** to print the report.

## Service settings

These selections can help with troubleshooting if the corrective action taken under the Error Codes section is unsuccessful. They are intended to be used when an HP service representative is assisting you.

The menu locations of these selections vary by MFP. For the HP LaserJet 4345mfp and the HP Color LaserJet 4730mfp, 9040/9050mfp, and 9500mfp, these selections are located under the [Fax Service](#) menu. For the HP LaserJet M3035 MFP, M3027 MFP, M4345 MFP, M5025 MFP, M5035 MFP, M9040 MFP, M9050 MFP and Color LaserJet CM4730 MFP and CM6040 MFP Series, these selections are located in one of three places: under [Administration](#) > [Initial Setup](#) > [Fax Setup](#) > [Fax Receive Settings](#); under [Administration](#) > [Troubleshooting](#); or under [Administration](#) > [Resets](#). Print a menu map from the MFP [Administration](#) > [Information](#) menu to help locate the desired item.

**T.30 Trace:** The T.30 trace is a printed report which produces a record of all the communications between the sending and receiving fax machines for the last Fax transmission or reception. The report has many technical details which are usually beyond the scope of most users. However the report contains detailed error codes and other information that might be useful in troubleshooting a particular problem related to sending or receiving a FAX. The report contents might be requested by an HP service representative when trying to determine the cause of a problem and will help to determine the appropriate action. (For error code information, see [Error codes on page 105.](#))

**Restore Factory Telecom Settings** or **Restore Default Telecom Settings:** This selection resets several menu changes back to their default settings. This includes the maximum baud rate, ring-burst off time, V.34, speaker mode, and transmit signal loss.

**Transmit Signal Loss:** This selection compensates for phone line signal loss. It is not recommended to modify this setting unless requested to do so by an HP service representative as it might render the fax inoperable.

**V.34:** This setting has two values (Normal and Off) that control the modem's baud rate. The Normal setting allows the modem to select (negotiate with the other modem) any of the supported baud rates up to 33,600 bps. The Off setting sets the baud rate to 14,400 bps. This setting remains set, until changed.

**Maximum baud rate:** This setting is similar to V.34 but provides a list of baud rates to select for operation. If the fax is having communication errors, use this setting to select slower baud rates to determine if the communication error is caused by the phone line. Once this setting is set, it remains set until changed.

**Speaker mode:** This service setting has two modes, Normal and Diagnostic. In Normal mode, the modem speaker is turned on during dialing through the initial connection and then shuts off. For Diagnostic mode, the speaker is turned on and remains on for all fax communications until the setting is returned to Normal.

**Ring interval** or **Ring-burst off time:** This setting is used to adjust for some PBX ring signals. Use this setting when directed by an HP technical support agent.

**Ring Frequency:** This setting has a range between 1 to 200 Hz. It should be left at its default value of 68 Hz. Use this setting when directed by an HP technical support agent as adjustment procedures associated with it is beyond the scope of this guide.

The menu locations of these selections vary by MFP. For the HP LaserJet 4345mfp and the HP Color LaserJet 4730mfp, 9040/9050mfp, and 9500mfp, these selections are located under the [Menu](#) > [FAX](#) > [FAX SETUP OPTIONAL](#) > [Ring Frequency](#). For the HP LaserJet M3035 MFP, M3027 MFP, M4345 MFP, M5025 MFP, M5035 MFP, M9040 MFP, M9050 MFP and Color LaserJet CM4730 MFP and CM6040 MFP Series, these selections are located in [Administration](#) > [Initial Setup](#) > [Fax Setup](#) > [Fax Send Settings](#) > [Ring Frequency](#). Select [Custom](#) to activate the menu selection for a specific value.

**TCF T.30 Delay:** This setting has a range between 60 to 255 ms. It should be left to its default value of 60 ms. Use this setting when directed by an HP technical support agent as adjustment procedures associated with it is beyond the scope of this guide.

The menu locations of these selections vary by MFP. For the HP LaserJet 4345mfp and the HP Color LaserJet 4730mfp, 9040/9050mfp, and 9500mfp, these selections are located under the **Menu > FAX > FAX SETUP OPTIONAL > TCF T.30 Delay Timer**. For the HP LaserJet M3035 MFP, M3027 MFP, M4345 MFP, M5025 MFP, M5035 MFP, M9040 MFP, M9050 MFP and Color LaserJet CM4730 MFP and CM6040 MFP Series, these selections are located under the **Administration > Initial Setup > Fax Setup > Fax Send Settings > TCF T.30 Delay Timer**. Select **Custom** to activate the menu selection for a specific value.


**TCF T.30 Extend:** This setting has a range between 0 to 2550 ms. It should be left to its default value of 0 ms. Use this setting when directed by an HP technical support agent as adjustment procedures associated with it is beyond the scope of this guide.

The menu locations of these selections vary by MFP. For the HP LaserJet 4345mfp and the HP Color LaserJet 4730mfp, 9040/9050mfp, and 9500mfp, these selections are located under the **Menu > FAX > FAX SETUP OPTIONAL > TCF Extend**. For the HP LaserJet M3035 MFP, M3027 MFP, M4345 MFP, M5025 MFP, M5035 MFP, M9040 MFP, M9050 MFP and Color LaserJet CM4730 MFP and CM6040 MFP Series, these selections are located under the **Administration > Initial Setup > Fax Setup > Fax Send Settings > TCF Extend**. Select **Custom** to activate the menu selection for a specific value.

## Firmware upgrades

The firmware on the HP LaserJet MFP Analog Fax Accessory 300 can be updated. Fax firmware updates will occur as part of an overall MFP firmware update. For additional information about MFP firmware updates, refer to MFP service documentation.

---

 **NOTE:** To update the fax firmware, go to the MFP Web site and download the MFP firmware. The fax firmware updates are a part of the MFP firmware updates.

---



---

# A Service and support

# Hewlett-Packard limited warranty statement

## HP PRODUCT

HP LaserJet MFP Analog Fax Accessory 300

## DURATION OF LIMITED WARRANTY

1 year, Limited Warranty

HP warrants to you, the end-user customer, that HP hardware and accessories will be free from defects in materials and workmanship after the date of purchase, for the period specified above. If HP receives notice of such defects during the warranty period, HP will, at its option, either repair or replace products which prove to be defective. Replacement products may be either new or equivalent in performance to new.

HP warrants to you that HP software will not fail to execute its programming instructions after the date of purchase, for the period specified above, due to defects in material and workmanship when properly installed and used. If HP receives notice of such defects during the warranty period, HP will replace software which does not execute its programming instructions due to such defects.

HP does not warrant that the operation of HP products will be uninterrupted or error free. If HP is unable, within a reasonable time, to repair or replace any product to a condition as warranted, you will be entitled to a refund of the purchase price upon prompt return of the product.

HP products may contain remanufactured parts equivalent to new in performance or may have been subject to incidental use.

Warranty does not apply to defects resulting from (a) improper or inadequate maintenance or calibration, (b) software, interfacing, parts or supplies not supplied by HP, (c) unauthorized modification or misuse, (d) operation outside of the published environmental specifications for the product, or (e) improper site preparation or maintenance.

TO THE EXTENT ALLOWED BY LOCAL LAW, THE ABOVE WARRANTIES ARE EXCLUSIVE AND NO OTHER WARRANTY OR CONDITION, WHETHER WRITTEN OR ORAL, IS EXPRESSED OR IMPLIED AND HP SPECIFICALLY DISCLAIMS ANY IMPLIED WARRANTIES OR CONDITIONS OF MERCHANTABILITY, SATISFACTORY QUALITY, AND FITNESS FOR A PARTICULAR PURPOSE. Some countries/regions, states or provinces do not allow limitations on the duration of an implied warranty, so the above limitation or exclusion might not apply to you. This warranty gives you specific legal rights and you might also have other rights that vary from country/region to country/region, state to state, or province to province. HP's limited warranty is valid in any country/region or locality where HP has a support presence for this product and where HP has marketed this product. The level of warranty service you receive may vary according to local standards. HP will not alter form, fit or function of the product to make it operate in a country/region for which it was never intended to function for legal or regulatory reasons.

TO THE EXTENT ALLOWED BY LOCAL LAW, THE REMEDIES IN THIS WARRANTY STATEMENT ARE YOUR SOLE AND EXCLUSIVE REMEDIES. EXCEPT AS INDICATED ABOVE, IN NO EVENT WILL HP OR ITS SUPPLIERS BE LIABLE FOR LOSS OF DATA OR FOR DIRECT, SPECIAL, INCIDENTAL, CONSEQUENTIAL (INCLUDING LOST PROFIT OR DATA), OR OTHER DAMAGE, WHETHER BASED IN CONTRACT, TORT, OR OTHERWISE. Some countries/regions, states or provinces do not allow the exclusion or limitation of incidental or consequential damages, so the above limitation or exclusion may not apply to you.


THE WARRANTY TERMS CONTAINED IN THIS STATEMENT, EXCEPT TO THE EXTENT LAWFULLY PERMITTED, DO NOT EXCLUDE, RESTRICT OR MODIFY AND ARE IN ADDITION TO THE MANDATORY STATUTORY RIGHTS APPLICABLE TO THE SALE OF THIS PRODUCT TO YOU.



# HP Customer Care

## World Wide Web

Solutions to many fax accessory issues can be found at <http://www.hp.com/go/mfpfaxaccessory300>. Go to the Support site and search for HP LaserJet MFP Analog Fax Accessory 300. This Web site includes troubleshooting help, information about fax maintenance and use, manuals, FAQs, software updates, and more.

 **NOTE:** Check the HP Web site for additional information regarding updates or changes to the product that might have been made after the printing of this document. Go to <http://www.hp.com> and search for "Q3701A". Use the **Product quick links** to go to the product manuals and look if the **Errata** document is present. The errata document identifies the most current changes to the product.

## E-mail

For the quickest response, visit <http://www.hp.com> and click **Contact HP**. E-mail support is in English only.

## Phone

Search <http://www.hp.com> for HP LaserJet MFP Analog Fax Accessory 300, and look for a link to contact support. You can find telephone contact information which can help with problem resolution.



---

# B Specifications

This chapter contains specifications for the fax accessory. The sections described here include:

- [Fax accessory product specifications](#)
- [Replacement parts and accessories](#)

# Fax accessory product specifications

---

Environmental specifications	
Operating environment	<ul style="list-style-type: none"><li>● Temperature: 10 to 32.5° C (50 to 91° F)</li><li>● Relative Humidity: 20 to 80 percent (no condensation)</li></ul>
Storage environment	<ul style="list-style-type: none"><li>● Temperature: -20° C to 40° C (-4° F to 104° F)</li><li>● Relative Humidity: Less than 95 percent (no condensation)</li></ul>
Fax specifications	
Fax compatibility	<ul style="list-style-type: none"><li>● CCIT/ITU-T Group 3, EIA/TIA Class 1, Class 2.1</li></ul>
Phone connector	<ul style="list-style-type: none"><li>● RJ11</li></ul>
Compression methods	<ul style="list-style-type: none"><li>● MH, MR, MMR, and JBIG</li></ul>
Transmission speeds and standards supported	<ul style="list-style-type: none"><li>● V.17 at 14,400, 12,000, 9,600, 7,200 bps</li><li>● V.33 at 14,400, 12,000 bps</li><li>● V.29 at 9,600, 7,200 bps</li><li>● V.27 at 4,800, 2,400 bps</li><li>● V.34 at 16,800, 19,200, 21,600, 24,000, 26,400, 28,800, 31,200, 33,600 bps</li></ul>
Modem speed	<ul style="list-style-type: none"><li>● Up to 33.6K bits per second (bps)</li></ul>
Speed dialing	<ul style="list-style-type: none"><li>● Yes</li></ul>
Fax resolution, (send and receive)	<ul style="list-style-type: none"><li>● Standard - 200 x 100 dots per inch (dpi)</li><li>● Fine - 200 x 200 dpi</li><li>● Superfine - 300 x 300 dpi</li><li>● Ultrafine - 200 x 400 (receive only)</li><li>● Ultrafine - 400 x 400 (receive only)</li></ul>

---

## Replacement parts and accessories

You can obtain replacement parts for the fax accessory by contacting your sales representative or your Hewlett-Packard dealer.



---

# C Regulatory Information

This section contains the following regulatory information:

- [Environmental Product Stewardship Program](#)
- [Declaration of conformity](#)
- [US Federal Communications Commission](#)
- [Canadian Department of Communications](#)
- [Other regulatory information](#)

# Environmental Product Stewardship Program

Protecting the environment

Hewlett-Packard Company is committed to providing quality products in an environmentally sound manner. This product has been designed with several attributes to minimize impacts on our environment.

Plastics

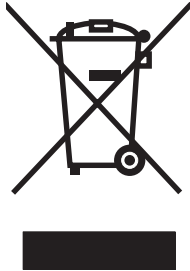
Plastic parts over 25 grams are marked according to international standards that enhance the ability to identify plastics for recycling purposes at the end of the product's life.

Material restrictions

This HP product does not contain added mercury.

This HP product contains lead in solder and might require special handling at end-of-life.

Disposal of Waste Equipment by Users in Private Households in the European Union



This symbol on the product or on its packaging indicates that this product must not be disposed of with your other household waste. Instead, it is your responsibility to dispose of your waste equipment by handing it over to a designated collection point for the recycling of waste electrical and electronic equipment. The separate collection and recycling of your waste equipment at the time of disposal will help to conserve natural resources and ensure that it is recycled in a manner that protects human health and the environment. For more information about where you can drop off your waste equipment for recycling, please contact your local city office, your household waste disposal service or the shop where you purchased the product.

For more information

See <http://www.hp.com/go/environment> or <http://www.hp.com/hpinfo/community/environment/> for more information about HP's environmental programs, which include the following:

- Product environmental profile sheet for this and many related HP products
- HP's commitment to the environment
- HP's environmental management system
- HP's end-of-life product return and recycling program
- Material Safety Data Sheets



# Declaration of conformity

## Declaration of Conformity

according to ISO/IEC 17050-1 and EN 17050-1

**Manufacturer's Name:** Hewlett-Packard Company  
**Manufacturer's Address:** 11311 Chinden Boulevard,  
Boise, Idaho 83714-1021, USA


**declares, that the product**

**Product Name:** HP LaserJet MFP Analog Fax Accessory  
**Regulatory Model Number:<sup>2)</sup>** BOISB-0308-00  
**Product Numbers** Q3701-60001, Q3701-60002, Q3701-60004  
**Product Options** All

**conforms to the following Product Specifications:**

**Safety:** IEC 60950-1:2001 / EN60950-1: 2001 +A11  
**EMC:** CISPR22:1997 / EN55022:1998 - Class A<sup>1)3)</sup>  
EN 55024:1998 +A1:2001 +A2:2003  
FCC Title 47 CFR, Part 15 Class A<sup>3)</sup> / ICES-003, Issue 4  
GB9254-1998, GB17625.1-1998 / CNS13438  
**Telecom:** FCC Rules Part 68  
TBR-21:1998

### Supplementary Information:

The product herewith complies with the requirements of the EMC Directive 89/336/EEC and the Low Voltage Directive 2006/95/EC, the R&TTE Directive 1999/5/EC (Annex II) and carries the CE-Marking  accordingly.

This Device complies with Part 15 of the FCC Rules. Operation is subject to the following two Conditions: (1) this device may not cause harmful interference, and (2) this device must accept any interference received, including interference that may cause undesired operation.

1) The product was tested in a typical configuration with Hewlett-Packard Personal Computer Systems.

Compliance testing of product to standard with exception of Clause 9.5, which is not yet in effect.

2) For regulatory purposes, this product is assigned a Regulatory model number. This number should not be confused with the product name or the product number(s).

3) **Warning:** This is a class A product. In a domestic environment this product may cause radio interference in which case the user may be required to take adequate measures.

Boise, Idaho 83714-1021, USA

**October 24th, 2007**

### For Regulatory Topics only, contact:

**European Contact:** Your Local Hewlett-Packard Sales and Service Office or Hewlett-Packard GmbH, Department HQ-TRE / Standards Europe, Herrenberger Straße 140, D-71034 Böblingen, Germany, (FAX: +49-7031-14-3143)

**USA Contact:** Product Regulations Manager, Hewlett-Packard Company, PO Box 15, Mail Stop 160, Boise, Idaho 83707-0015, USA, (Phone: 208-396-6000)

# US Federal Communications Commission

## FCC Part 15 Compliance Statement

This equipment has been tested and found to comply with the limits for a Class A digital device, pursuant to Part 15 of the FCC Rules. These limits are designed to provide reasonable protection against harmful interference when the equipment is operated in a commercial environment. This equipment generates, uses, and can radiate radio frequency energy and, if not installed and used in accordance with the instruction manual, may cause harmful interference to radio communications. Operation of this equipment in a residential area is likely to cause harmful interference in which case the user will be required to correct the interference at his own expense.

**⚠ WARNING!** Any changes or modifications to the fax accessory that are not expressly approved by HP could void the user's authority to operate this equipment.

**📄 NOTE:** Use of a shielded interface cable is required to comply with the Class A limits of the FCC rules

## FCC Part 68 Telecom

If requested, you must be prepared to provide the telephone company with the following information for the SocketModem card included within this product:

Manufacturer:	Multi-Tech Systems, Inc. 2205 Wooddale Drive Mounds View, MN 55112 USA
Trade Name:	Modem <b>Module</b>
Model Number:	MT5634SMI
FCC Registration No:	AU7-USA-25814-M5-E
Ringer Equivalence:	0.3B
Modular Jack (USOC):	RJ11C or RJ11W (single line)
Service Center in USA:	U.S.A. (763) 785-3500 (763) 785-9874 Fax

The equipment complies with FCC Rules, Part 68. The Socket Modem Module has a label that contains, along with other information, the FCC registration number and ringer equivalence number (REN) for this equipment. If requested, this information must be provided to the telephone company. The REN is used to determine the quantity of devices which may be connected to the telephone line. Excessive RENS on the telephone line may result in the devices not ringing in response to an incoming call. In most, but not all areas, the sum of the RENS should not exceed five (5.0). To be certain of the number of devices that may be connected to the line, as determined by the total RENS, contact the Telephone Company to determine the maximum REN for the calling area.

This equipment uses the following USOC jacks: RJ11C or RJ11W (single line)

An FCC compliant telephone cord and modular plug is provided with this equipment. This equipment is designed to be connected to the telephone network or premises wiring using a compatible modular jack with is Part 68 compliant. This equipment cannot be used on telephone company provided coin service. Connection to Party Line Service is subject to state tariffs. If this equipment causes harm to the telephone network, the telephone company will notify you in advance that temporary discontinuance of service may be required. If advance notice isn't practical, the Telephone Company will notify the customer as soon as possible. Also you will be advised of your right to file a complaint with the FCC if you believe it is necessary. The telephone company may make changes in its facilities, equipment, operations, or procedures that could affect the operation of the equipment. If this happens, the telephone company will provide advance notice in order for you to make the necessary modifications in order to maintain uninterrupted service. If trouble is experienced with this equipment, please contact HP customer service by using the contact information provided in the Customer Support section of this manual for troubleshooting, repair and (or) warranty information. If the trouble is causing harm to the telephone network, the Telephone Company may request you remove the equipment from the network until the problem is resolved. The following repairs can be done by the customer: Replace any original equipment that came with the product and the telephone cord. It is also recommended that the customer install an AC surge arresstor in the AC outlet of the host equipment to which the device is connected. This is to avoid damage to the equipment caused by lightning strikes and other electrical surges.

## Telephone Consumer Protection Act (US)

The Telephone Consumer Protection Act of 1991 makes it unlawful for any person to use a computer or other electronic device, including fax machines, to send any message unless such message clearly contains, in a margin at the top or bottom of each transmitted page or on the first page of the transmission, the date and time it is sent and an identification of the business, other entity, or individual sending the message and the telephone number of the sending machine or such business, or other entity, or individual. (The telephone number provided cannot be a 900 number or any other number for which charges exceed local or long distance transmission charges). In order to program this information into your facsimile, please see [Required fax settings on page 36](#) in Chapter 1.

# Canadian Department of Communications

This equipment complies with Canadian EMC Class A requirements.

<< Conforme à la classe A des normes canadiennes de compatibilité électromagnétiques (CEM). >>

## Canadian Limitations Notice

Notice: The ringer equivalence number (REN) assigned to each terminal device provides an indication of the maximum number of terminals allowed to be connected to a telephone interface. The termination on an interface may consist of any combination of devices subject only to the requirement that the sum of the ringer equivalence numbers of all the devices does not exceed 5.

Notice: The Industry Canada label identifies certified equipment. This certification means that the equipment meets certain telecommunications network protective, operational, and safety requirements. The Industry Canada label does not guarantee the equipment will operate to the user's satisfaction.

Before installing this equipment, users should ensure that it is permissible to be connected to the facilities of the local telecommunications company. The equipment must also be installed using an acceptable method of connection. The customer should be aware that compliance with the above conditions may not prevent degradation of service in some situations. Repairs to certified equipment should be made by an authorized Canadian maintenance facility designated by the supplier. Any repairs or alterations made by the user to this equipment or equipment malfunctions may give the telecommunications company cause to request the user to disconnect the equipment.

Users should ensure for their own protection that the electrical ground connections of the power utility, telephone lines and internal metallic water pipe system, if present, are connected together. This precaution may be particularly important in rural areas.

---

△ **CAUTION:** Users should not attempt to make such connections themselves, but should contact the appropriate electric inspection authority, or electrician, as appropriate.

---

Notice: The Ringer Equivalence Number (REN) assigned to each terminal device provides an identification of the maximum number of terminals allowed to be connected to a telephone interface. The termination of an interface may consist of any combination of devices subject only to the requirement that this sum of Ringer Equivalence Number of all the devices does not exceed five (5.0). The standard connecting arrangement code (telephone jack type) for equipment with direct connections to the telephone network is CA11A.

# Other regulatory information

## Regulatory information for EU countries/regions

This equipment has been designed to work in all countries/regions of the European Economic Area (Public Switched Telephone Networks). Network compatibility is dependent on internal software settings. Contact your equipment supplier if it is necessary to use the equipment on a different telephone network. For further product support, contact Hewlett-Packard at the phone numbers provided in the support flyer that came with the product.

## New Zealand Telecom Warning Notice

1. The grant of a Telepermit for any item of terminal equipment indicates only that Telecom has accepted that the item complies with minimum conditions for connection to its network. It indicates no endorsement of the product by Telecom, nor does it provide any sort of warranty. Above all, it provides no assurance that any item will work correctly in all respects with another item of Telepermitted equipment of a different make or model, nor does it imply that any product is compatible with all of Telecom's network services.

This equipment is not capable under all operating conditions of correct operation at the higher speed which it is designated. 33.6 kbps and 56 kbps connections are likely to be restricted to lower bit rates when connected to some PSTN implementations. Telecom will accept no responsibility should difficulties arise in such circumstances.

2. Immediately disconnect this equipment should it become physically damaged, and arrange for its disposal or repair.
3. This modem shall not be used in any manner, which could constitute a nuisance to other Telecom customers.
4. This device is equipped with pulse dialing, while the Telecom standard is DTMF tone dialing. There is no guarantee that Telecom lines will always continue to support pulse dialing.

Use of pulse dialing, when this equipment is connected to the same line as other equipment, may give rise to 'bell tinkle' or noise and may also cause a false answer condition. Should such problems occur, the user should not contact the Telecom Faults Service.

The preferred method of dialing is to use DTMF tones, as this is faster than pulse (decadic) dialing and is readily available on almost all New Zealand telephone exchanges.

5. Warning Notice: No '111' or other calls can be made from this device during a mains power failure.
6. This equipment may not provide for the effective hand-over of a call to another device connected to the same line.
7. Some parameters required for compliance with Telecom's Telepermit requirements are dependent on the equipment (PC) associated with this device. The associated equipment shall be set to operate within the following limits for compliance with Telecom's Specifications:

For repeat calls to the same number:

- There shall be no more than 10 call attempts to the same number within any 30-minute period for any single manual call initiation, and
- The equipment shall go on-hook for a period of not less than 30 seconds between the end of one attempt and the beginning of the next attempt.

For automatic calls to different numbers:

- The equipment shall be set to ensure that automatic calls to different numbers are spaced such that there is no less than 5 seconds between the end of one call attempt and the beginning of another.

For automatically answered incoming calls:

- The equipment shall be set to ensure that calls are answered between 3 and 30 seconds of receipt of ringing.
8. For correct operation, total of the RN's of all devices connected to a single line at any time should not exceed 5.

## South African Notice

This modem must be used in conjunction with an approved surge protection device.

## TAIWAN BSMI Class A Warning

警告使用者：

這是甲類的資訊產品，在居住的環境中使用時，可能會造成射頻干擾，在這種情況下，使用者會被要求採取某些適當的對策。

# Index

## A

accessories 125  
activity log 111

## B

background  
    copying colored paper 51  
    removing from transmitted  
    faxes 51  
background setting  
    copying colored paper 52  
    removing from transmitted  
    faxes 52  
billing code report  
    printing 112  
billing codes 49  
blocked fax list  
    clear all number(s) 58  
    creating 57  
    remove from list 57  
    removing number(s) 57  
    removing numbers 58  
blocked fax list report  
    printing 113  
blocking faxes list  
    remove number(s) 57  
blocking incoming faxes 57  
browser, Web  
    remote configuration 42

## C

call report 109, 110  
canceling a fax 80  
Clear all numbers from the blocked-  
fax list 58  
clearing log/report data 112  
company name 38  
configuration  
    remote 42  
contacting HP 121

customer support 121

## D

dark/light setting for transmitted  
faxes  
    change on the HP LaserJet  
    4345mfp and 9040/9050mfp,  
    and the HP Color LaserJet  
    4730mfp and 9500mfp 52  
database 112  
date/time setting 36, 37  
declaration of conformity 129  
destination paper bin 56  
dial tone detection, setting 44  
dialing mode  
    setting 45  
dialing prefix  
    setting 46  
digital sending utility, remote  
configuration 43  
DSS. See digital sending utility

## E

embedded Web server 42  
environmental specifications 124  
error  
    codes 105  
    transmitted fax notification 59  
error correction mode  
    settings 61  
EWS. See embedded Web server

## F

fax  
    canceling 80  
    configuration wizard 36  
    feeding problems 101  
    installing the accessory 3  
    printing 91  
    receiving 82

    required settings 36  
    resolution 124  
    send a fax using one touch  
    speed dial 74  
    sending 70

fax accessory  
    installing 10, 20  
fax header 38  
fax number confirmation 52  
fax number speed dial  
    matching 53  
feeding problems 101  
firmware upgrades 117  
fit-to-page 55  
forwarding a fax 90

## G

graphics, low quality 70, 73  
group dial. See speed dial

## I

installing  
    fax accessory 10, 20  
installing the fax accessory  
    HP Color LaserJet  
    4730mfp 12  
    HP Color LaserJet CM4730  
    MFP 12  
    HP Color LaserJet CM6040  
    MFP Series 23  
    HP LaserJet 4345mfp 6  
    HP LaserJet 9040/9050mfp 3  
    HP LaserJet M9040 MFP /  
    M9050 MFP 31

## J

JBIG compression  
    setting 50

- L**
- LAN fax 1, 36
- light/dark setting for transmitted faxes
  - change on the HP LaserJet 4345mfp and 9040/9050mfp, and the HP Color LaserJet 4730mfp and 9500mfp 52
- location 37, 38
- locked fax printing 91
- log/report
  - activity log 111
  - activity log, clearing 112
  - billing code report 112
  - billing report, clearing 112
  - blocked fax list report 113
  - fax activity log 111
  - fax call report 109, 110
  - speed dial list report 113, 114
- M**
- memory lock
  - disabling 91
  - enabling 91
  - PIN 88
- memory, saving and deleting faxes 70
- menu, fax settings 36
- MFP. See multifunction product
- modem speed 102, 124
- modem volume
  - setting 62
- multifunction product 1
- N**
- not configured 36
- notification settings 59
- O**
- one touch speed dial 74
- output paper bin. See destination paper bin
- overlay header
  - setting 44, 45
- P**
- paper tray selection 55, 56
- parts 2
- pause, when dialing 70
- PBX systems
  - troubleshooting 104
- phone book 77, 78
- phone lines troubleshooting 104
- phone number 38
- phone support 121
- photos, low quality 70
- PIN
  - changing 88
  - creating 88
  - resetting 88
- prefix
  - automatic dialing 46
- printing locked faxes 91
- pulse dialing
  - setting 45
- R**
- receiving faxes 82
- redial interval 48
- redial interval, setting 48
- redial-on-busy
  - setting 46, 47
- redial-on-no-answer
  - setting 47
- regulatory statements
  - declaration of conformity 129
- remote configuration
  - digital sending utility 43
  - Web browser 42
  - Web Jetadmin 42
- replacement parts 125
- replacing the fax accessory
  - HP Color LaserJet 4730mfp 12
  - HP Color LaserJet CM4730 MFP 12
  - HP Color LaserJet CM6040 MFP Series 23
  - HP LaserJet 4345mfp, HP Color LaserJet CM4730 MFP 6
  - HP LaserJet 9040/9050mfp 3
  - HP LaserJet M9040 MFP / M9050 MFP 31
- required settings
  - country/region 36
- resolution
  - setting 49
- resolution, faxing 124
- ringer volume
  - setting 63
- ringer volume,
  - setting 63
- rings-to-answer 54
- S**
- schedule fax call report
  - printing 110
- secure settings 88
- sending a fax
  - delete multiple recipients 83
  - enter number(s) manually 70, 71
  - to multiple recipients 83
  - using phone book numbers 77, 78
  - using speed dial 73
- service settings 115
- settings
  - billing codes 49
  - blocking incoming faxes 57
  - change light/dark setting 52
  - change light/dark setting for transmitted faxes on the HP LaserJet 4345mfp and 9040/9050mfp, and the HP Color LaserJet 4730mfp and 9500mfp 52
  - clear all number(s) from the blocked fax list 58
  - destination paper bin 56
  - dial tone detection 44
  - dialing mode 45
  - dialing prefix 46
  - error correction mode 61
  - fax forwarding 90
  - fax number confirmation 52
  - fax number speed dial matching 53
  - fit-to-page 55
  - JBIG compression 50
  - memory lock 91
  - menu 36
  - modem volume 62
  - overlay header 44, 45
  - paper tray selection 55, 56
  - redial interval 48
  - redial-on-busy 46, 47
  - redial-on-no-answer 47
  - remove numbers 58
  - removing numbers 58



- required 36
- resolution 49
- ringer volume 63
- rings-to-answer 54
- stamp received faxes 54, 55
- settings menu does not appear 36
- sharpness setting
  - for transmitted faxes 51
- slow fax reception 102
- slow fax transmission 104
- specifications 124
- speed dial
  - creating 83
  - delete 83
  - list report 113, 114
- stamp received faxes 54, 55
- status message bar 69
- status, fax accessory page 99
- storage, environment 124
- support 121

## T

- T.30 Trace report 115
- tone dialing
  - setting 45
- troubleshooting
  - fax settings menu does not appear 36
  - PBX systems 104
  - slow fax reception 102
  - slow fax transmission 104

## U

- unblocking incoming faxes 58

## V

- voice calls and retries 87
- VoIP 95
- volume. See modem volume
  - See *also* ringer volume; ringer volume

## W

- warranty
  - product 119, 120
- Web Jetadmin, remote configuration 42
- wizard, fax configuration 36





© 2008 Hewlett-Packard Development Company, L.P.

[www.hp.com](http://www.hp.com)



Q3701-91070

## Free Manuals Download Website

<http://myh66.com>

<http://usermanuals.us>

<http://www.somanuals.com>

<http://www.4manuals.cc>

<http://www.manual-lib.com>

<http://www.404manual.com>

<http://www.luxmanual.com>

<http://aubethermostatmanual.com>

Golf course search by state

<http://golfingnear.com>

Email search by domain

<http://emailbydomain.com>

Auto manuals search

<http://auto.somanuals.com>

TV manuals search

<http://tv.somanuals.com>