

# HP ProLiant DL100 G2 1TB, 3TB, and 6TB Data Protection Storage Server installation instructions



## About this document

This document provides procedures for rack installation of an HP ProLiant DL100 G2 1TB, 3TB, or 6TB Data Protection Storage Server (DP Storage Server). Instructions for installing optional HP StorageWorks Modular Smart Array (MSA) storage systems are included with the MSA storage system. HP assumes that you are qualified in servicing computer equipment, and trained in recognizing hazards in products with hazardous energy levels.

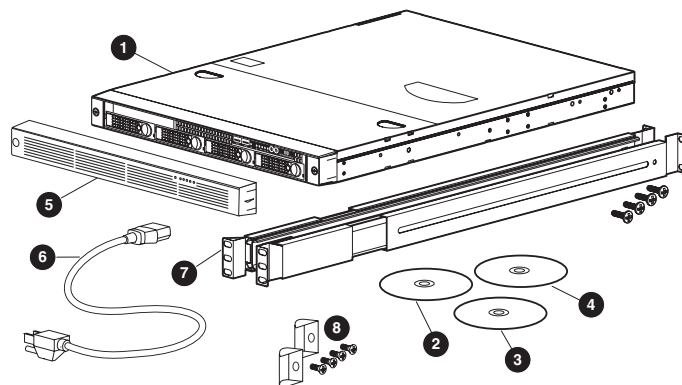
## Safety information

Before installing this product, read the *Important Safety Information* document provided.

## Regulatory notice

The rating label on the device gives the class (A or B) of the equipment. Class B devices have an FCC logo or ID on the label. Class A devices do not have an FCC logo or ID on the label. After you have determined the device class, see the *HP ProLiant Data Protection Storage Server user guide* for complete regulatory compliance notices. This guide is printed, and also provided in the product kit as a file on the documentation CD.

## Kit contents



5200a

- 1 HP ProLiant DL100 G2 1TB, 3TB, or 6TB DP Storage Server (Microsoft® System Center Data Protection Manager (DPM) software and OS preloaded)<sup>1</sup>
- 2 HP ProLiant Data Protection Storage Server Documentation CD (includes *HP ProLiant Data Protection Storage Server user guide*, *HP ProLiant Data Protection Storage Server expansion guide*, and *Microsoft DPM Planning and Deployment guide*)
- 3 Quick Restore DVD
- 4 HP Storage Server Service Release 5.5 DVD; use only Multi-lingual User Interface (MUI) updates
- 5 Bezel
- 6 Power cord
- 7 Slide rail assembly<sup>2</sup>
- 8 Thumbscrew brackets and screws

1. HP StorageWorks MSA20 and cables are shipped separately.
2. Slide rail assemblies vary. The click-and-snap assemblies hook onto the rack. The hardware-mounted assemblies attach to the rack using supplied screws, star washers, and locator washers.

© Copyright 2005 Hewlett-Packard Development Company, L.P.  
First edition September 2005

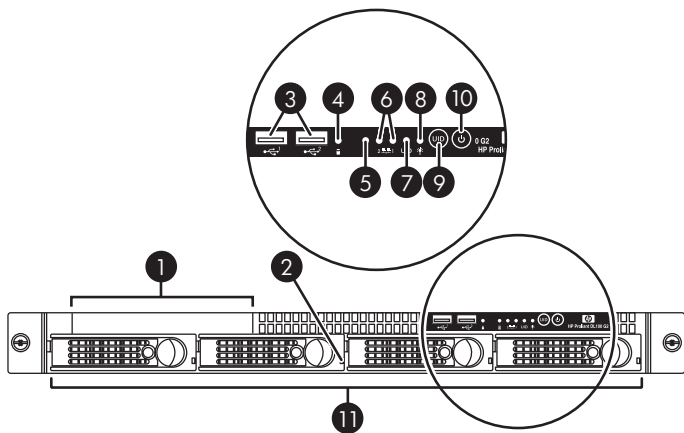
Product names mentioned herein may be trademarks of their respective companies as reflected by an associated footnote. The information in this document is subject to change without notice.  
Printed in the US.

[www.hp.com](http://www.hp.com)



\* 3 7 2 0 1 7 - 0 0 4 \*

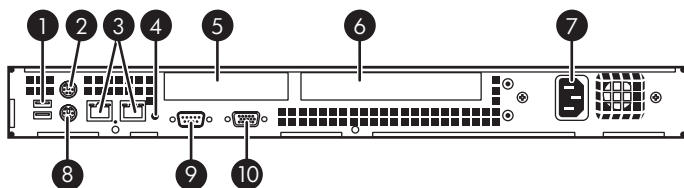
## Front panel



10699

- 1 Slim DVD-ROM
- 2 Individual HDD status LED
- 3 2 USB ports
- 4 Overall HDD activity LED
- 5 Overall HDD fault LED
- 6 NIC LEDs
- 7 UID LED
- 8 Power LED
- 9 UID button
- 10 Power button
- 11 HDD bays (0-3)

## Back panel



10700

- 1 Dual USB port
- 2 PS/2 mouse port
- 3 NIC connectors (RJ45) (1-2)
- 4 UID LED
- 5 Low profile, half length PCI-X slot
- 6 Full height, full length PCI-X slot
- 7 AC power connector
- 8 PS/2 keyboard port
- 9 Serial port
- 10 D-sub VGA port

## Installing the server into the rack

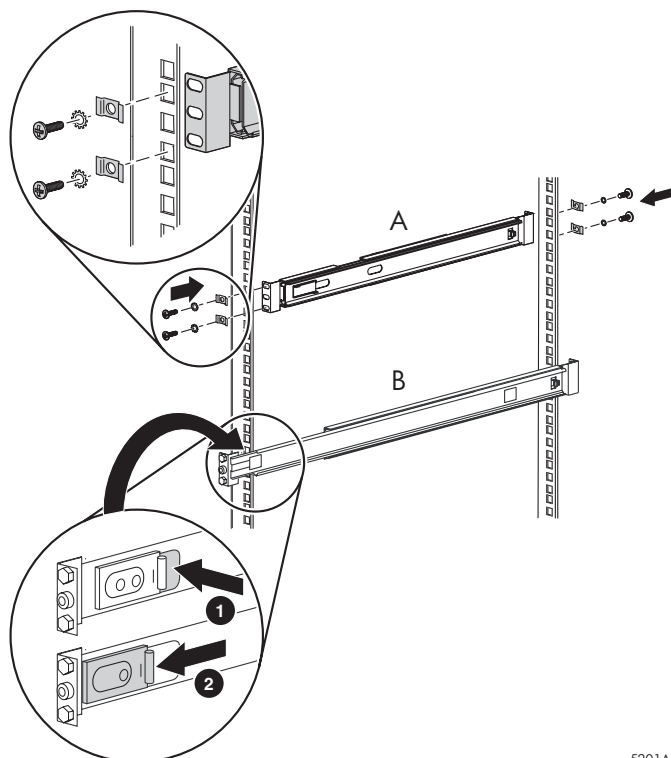
**NOTE:** Depending on the rail assembly provided, your slide rails may vary slightly from those in the following illustrations.

**CAUTION:** Always install the heaviest item first, and continue to populate the rack from bottom to top.

### 1. Install the slide rails:

#### a. Attach the slide rails, as shown:

- For hardware-mounted assemblies (**A**), mount the slide rails onto the rack using the supplied screws and star washers. For square-hole racks, use the provided locator washers.
- For click-and-snap assemblies (**B**), hook the slide rails onto the rack. At both ends of the slide rail, push the outer spring latch **1**, and then slide the spring mechanism toward the rail end until the rail is secure **2**.

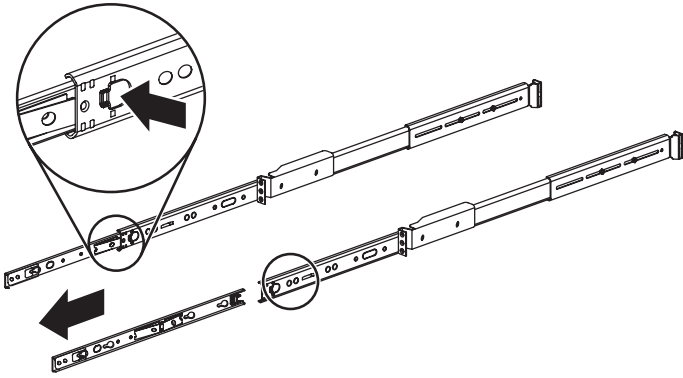


5201A

**IMPORTANT:** For hardware-mounted rails, HP recommends leaving the screws loose until the server is completely installed. This eases installation by preventing binding of the server in the rack.

**b. Locate the inner slide rails:**

- On hardware-mounted assemblies, remove the inner slide rails from the outer slide rails. To do so, extend the inner slide rails from the front of the rack until they lock in place. Then, press the inner slide lock down, as shown, and pull the inner slide rails straight out.

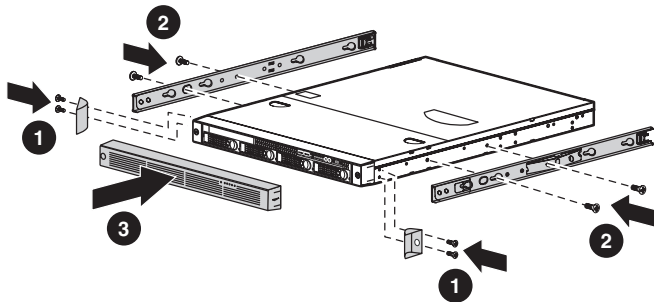


10685

- On click-and-snap assemblies, the inner slide rails arrive separate from the outer slide rails.

**2. Prepare the server:**

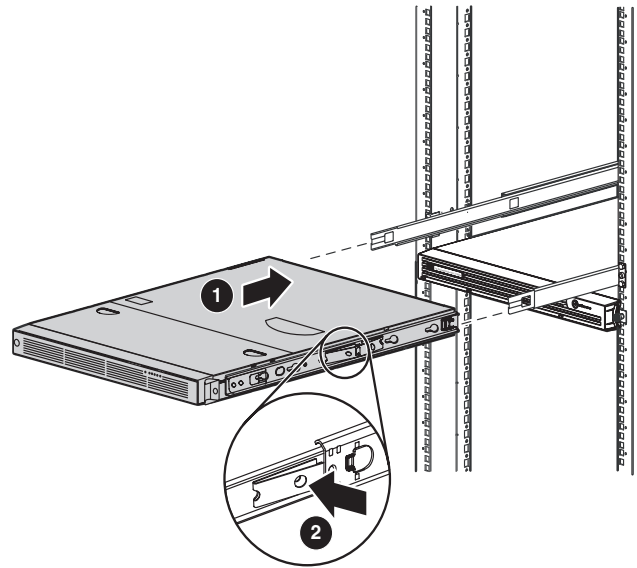
- Attach the two thumbscrew brackets to the server using the supplied bracket screws, as shown ❶.
- Attach a slide rail (lock facing out) to each side of the server, insert the slide rail screws through the slide rails, and then tighten, as shown ❷.
- Attach the bezel ❸ to the thumbscrew brackets, and then lock (if desired).



5202

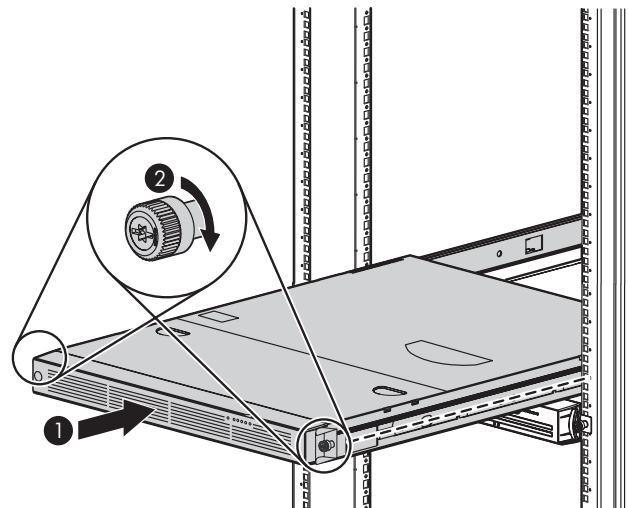
**3. Install the server:**

- With the outer slide rails extended a short distance from the rack, insert the inner slide rails (with the server attached) into the outer slide rails, as shown ❶. Press the inner slide lock ❷, and then push the server all the way into the rack, making sure that the inner slide rails lock into place.



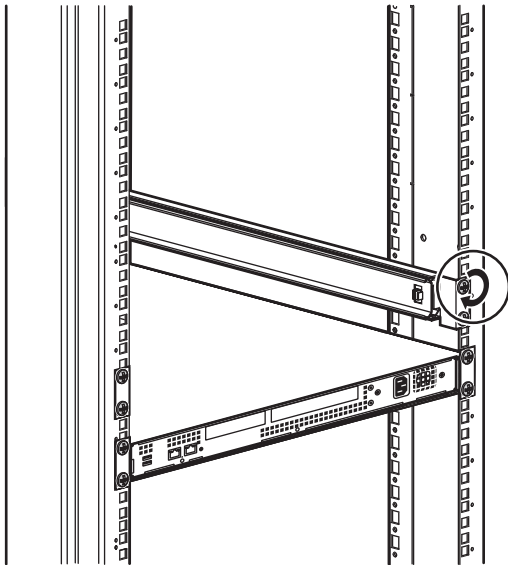
5203A

- Slide the server in and out of the rack several times, allowing the slide rails to position properly ❶.
- Lock the server in place using the thumbscrews ❷.



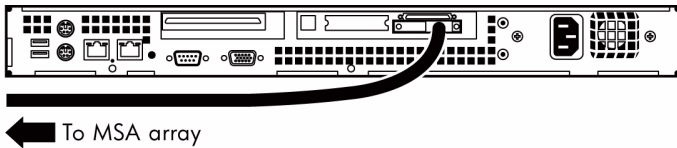
5204

- d. If installing a hardware-mounted assembly, tighten all the slide rail screws.



5205

4. Install the MSA cable:
- For the 3TB model, install the MSA cable, as shown.



10704

- For the 6TB model, install the cable for the second MSA in the adjacent slot.

5. Connect the power cord to the back of the server.

## Starting the DP Storage Server

To begin the first-time startup procedure:

- Ensure that the server is safely installed in an adequate environment.
- Ensure that the power cables and peripheral devices are plugged in, and that AC power is supplied to the server.
- See the DP Storage Server startup chapter in the *HP ProLiant Data Protection Manager Server user guide*.

## Free Manuals Download Website

<http://myh66.com>

<http://usermanuals.us>

<http://www.somanuals.com>

<http://www.4manuals.cc>

<http://www.manual-lib.com>

<http://www.404manual.com>

<http://www.luxmanual.com>

<http://aubethermostatmanual.com>

Golf course search by state

<http://golfingnear.com>

Email search by domain

<http://emailbydomain.com>

Auto manuals search

<http://auto.somanuals.com>

TV manuals search

<http://tv.somanuals.com>