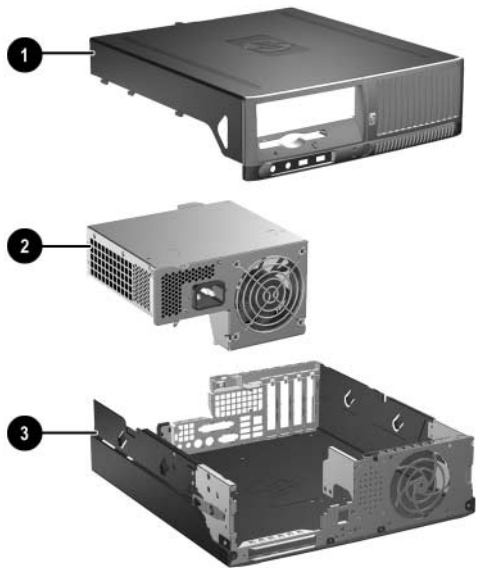


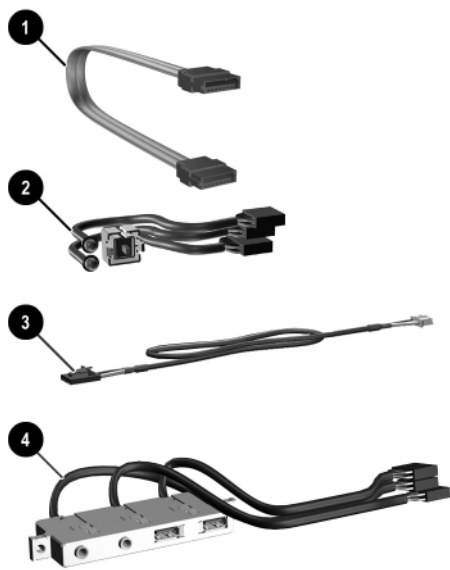
# HP Compaq dx6120 Business PC Series

Illustrated Parts Map  
Slim Tower Chassis



## System Unit

1	Computer cover assy with front bezel and no inserts	370503-001
2	Power supply, PFC	350030-001
3	Chassis assembly	not spared



## Cables

1	SATA hard drive cable, 24" (326965-007)	368388-001
1	SATA hard drive cable, 18" (326965-002)	346142-005
2	Power switch/LED cable - use switch holder (370857-001)	370502-001
3	Audio cable (CD to system board) (387527-001)	149806-005
4	Front I/O device with cable	368386-001
*	Diskette drive cable (168999-006)	370499-001
*	UATA data cable, 8.6" (108950-054)	368389-001
*	Flying serial port with cable	370500-001
*	Telephone cable	366510-001

\*Not shown

© 2005 Hewlett-Packard Development Company, L.P.

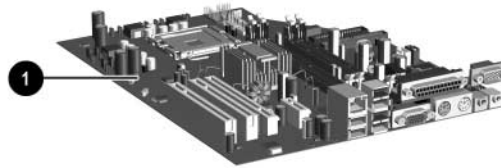
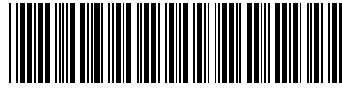
HP and the HP logo are trademarks of Hewlett-Packard Development Company, L.P.

All other product names mentioned herein may be trademarks of their respective companies.

HP shall not be liable for technical or editorial errors or omissions contained herein. The information in this document is provided "as is" without warranty of any kind and is subject to change without notice. The warranties for HP products are set forth in the express limited warranty statements accompanying such products. **Nothing herein should be construed as constituting an additional warranty.**

January 2005

Document Number  
376218-001



## Standard and Optional Boards

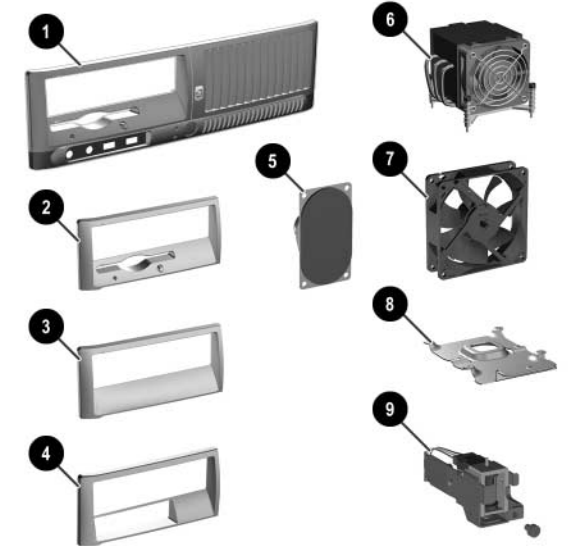
1	System board with alcohol pad and thermal grease	345110-001
Memory Modules		
*	256 MB/400 MHz FSB, DDR2	382504-001
*	512 MB/400 MHz FSB, DDR2	382505-001
*	1 GB/400 MHz FSB, DDR2	382506-001
Intel Celeron D Processors with thermal grease and alcohol pad		
*	2.66 GHz/533 MHz FSB, 256 KB cache	375361-001
*	2.8 GHz/533 MHz FSB, 256 KB cache	375362-001
Intel Pentium 4 Processors with alcohol pad and thermal grease		
*	2.8 GHz/800 MHz FSB, 1MB cache	367594-001
*	3.0 GHz/800 MHz FSB, 1MB cache	366643-001
*	3.2 GHz/800 MHz FSB, 1MB cache	366644-001
*	3.4 GHz/800 MHz FSB, 1MB cache	367415-001
*	3.6 GHz/800 MHz FSB, 1MB cache	367416-001
*	3.8 GHz/800 MHz FSB, 1MB cache	377483-001
Other Cards		
*	PCI Modem, International, LP bracket	361287-021
*	PC MCIA Reader with PCI card	331589-005
*	Intel Pro 10/100/1000 MT NIC, LP bracket	338154-005
*	FireWire 1394 card, 2 ext/1 int port, LP bracket	361551-001
Wireless LAN adapters (802.11)		
*	13 channel, LP bracket - use cable 333365-005	354900-005
*	Wireless LAN PCI Adapter	377161-001
Graphics Solutions		
*	4 Layer ADD2 Graphics, LP bracket	361264-001
*	ATI RV370 VGA graphics, 64M, LP bracket	364833-001
*	ATI RV370 VGA graphics, 128M, LP bracket	364834-001

\*Not shown

LP= Low profile mounting bracket  
FH = Full height mounting bracket

## Mass Storage Devices (not illustrated)

40 GB/7200 RPM SATA hard drive	365555-001
80 GB/7200 RPM SATA hard drive	345713-005
120 GB/7200 RPM SATA hard drive	365556-001
160 GB/7200 RPM SATA hard drive	345712-005
Diskette drive with mounting screws	333505-005
48X CD-ROM drive with mounting screws	326773-005
52X CD-ROM drive	333969-005
48X/32X/48X CD-RW	346788-005
48X/32X/48X +16X DVD/CD-RW	359493-005
8X DVD+R/RW	358688-005
16X DVD+R/RW	381417-001
16/40X DVD ROM Drive	325313-005
Zip 250 drive without mounting bracket	326772-005



## Miscellaneous Parts

1	Front bezel assembly with no inserts	368083-001
2	CD drive bezel with diskette drive	370501-001
3	CD drive bezel without diskette drive	367852-001
4	CD drive bezel with Zip drive	370504-001
5#	Speaker with alcohol pad and thermal grease	368084-001
6	Active heatsink with thermal grease and alcohol pad	367857-001
7	Chassis fan	366641-001
*	Heatsink duct baffle	375514-001
8	Heatsink retention plate with thumbscrew	370709-001
9	Power switch holder with LED holders (use with 370502-001 switch)	370857-001
*	Mouse, 2-Button, PS/2 with scroll wheel	323614-005
*	Mouse, 2-Button, USB, optical with scroll wheel	323615-005
*	Mouse, 2-Button, USB, with scroll wheel	323617-005
*	Drive Key, USB 2.0 flash drive, 128 MB	349988-005
*	Real-time-clock battery	153099-001
*	Expansion card retainer kit	377661-001
*	Port control cover	367856-001
*	Rubber foot (4 each)	370708-001
*	Kensington lock	370856-001

## Modem Cable Adapters (not illustrated) (use with 198220-005)

Australia	304398-015	Hungary	234963-095
Belgium	316904-181	Israel	316904-BB1
Cameroon	316904-AR1	Italy	316904-065
Czech	234963-225	Netherlands	316920-335
Denmark	316904-085	Norway	234963-095
Germany	316904-045	Poland/Russia	316904-241
Greece	316904-151	Sweden	316904-105
Finland	316904-355	Turkey	316904-141
France	316904-051	U.K.	158593-035

\*Not shown

#You must remove the heatsink before removing the speaker. Make sure you clean the mating surfaces between the heatsink and the processor with the alcohol pad provided and apply fresh thermal grease when reinstalling the heatsink.

## Miscellaneous Screw Kit (not illustrated)

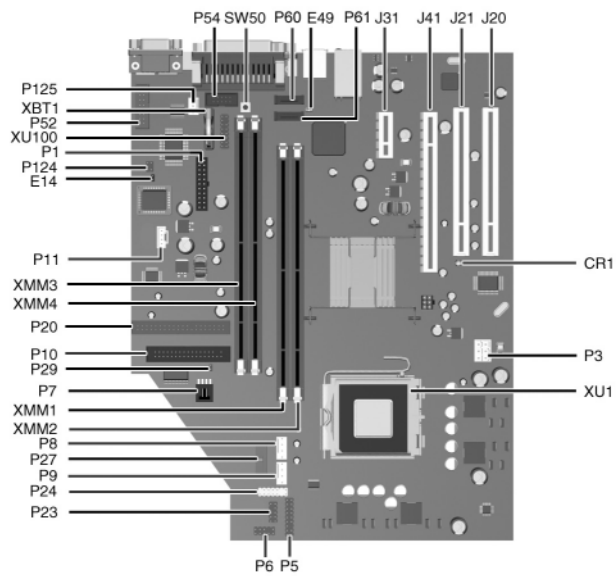
Miscellaneous screw kit, including:	337237-005
M3 x 5mm, hitop (263585-001) 4 ea	
#6-32 x .250, hitop (262508-001) 8 ea	
#6-32 x .250, pan head (101517-067) 3 ea	
#6-32 x .312, hitop (262508-002) 4 ea	
#6-19 x .312, pan head (101346-068) 2 ea	
#6-19 x .315, T15 head (331310-001) 2 ea	

See next page for keyboard spares

**Keyboards (not illustrated)**

PS/2, Basic	355630-xxx	Greek [1]	-155	Portuguese [1, 3]	-135
USB, Basic	355631-xxx	Hebrew [1, 2]	-BB5	Russian [1]	-255
USB, Basic (Blue Angel)	355632-xxx	Hungarian [1]	-215	Slovakian [1]	-235
USB, Modular	355102-xxx	International [4]	-B35	Spanish [1, 3]	-075
Arabic [1]	-175	Italian [3]	-065	Swedish [2, 3]	-105
Belgian	-185	Japanese [1]	-295	Swiss [3]	-115
BHCSY [1, 2]	-B45	Kazak [1, 2]	-DF5	Taiwanese [1]	-AB5
Czech [1]	-225	Korean (Hanguel) [1, 2]	-KD5	Thai [1]	-285
Danish [3]	-085	Norwegian [1, 3]	-095	Turkish [1, 3]	-145
Dutch [1]	-335	PRC [1]	-AA5	U.K. [1, 3]	-035
Europe [5]	-025	Polish [1]	-245		
Finnish [1]	-355				
French [3]	-055				
French Arabic [1, 2]	-DE5				
German [3]	-045				

[1] Not for 355632-xxx [3] Not for 355631-xxx [5] Only for 355102-xxx  
 [2] Not for 355630-xxx [4] Not for 355102-xxx



**System Board Connectors and Jumpers (position of some untitled components may vary in location)**

CR1	5V Aux power	P24	USB connector, front panel
E14	Boot block	P27	MultiBay
E49	Password jumper	P29	SCSI LED connector
J20	PCI slot 1	P52	Serial port "B"
J21	PCI slot 2	P54	Serial Port "A"
J31	PCI Express x1	P60	Primary Serial ATA (SATA) Port
J41	PCI Express x16	P61	Secondary Serial ATA (SATA) Port
P1	Main power (24 pin)	P124	Hood lock
P3	Processor VccP Power 12V (6 pin)	P125	Hood sensor
P5	Main power switch/LED	SW50	CMOS button
P6	Internal chassis speaker	XBT1	Battery
P7	CD audio in	XMM1	Memory socket
P8	Primary chassis fan	XMM2	Memory socket
P9	Secondary chassis fan	XMM3	Memory socket
P10	Diskette drive	XMM4	Memory socket
P11	Aux audio in	XU1	Microprocessor
P20	IDE	XU100	Security
P23	Front audio		

**System Hardware Interrupts**

IRQ	System Function	IRQ	System Function
0	Timer Interrupt	8	Real-Time Clock
1	Keyboard	9	Unused
2	Interrupt Controller Cascade	10	Unused, available for PCI
3	Serial Port (COM B)	11	Unused, available for PCI
4	Serial Port (COM A)	12	Mouse
5	Unused, available for PCI	13	Coprocessor
6	Diskette Drive	14	Primary ATA (IDE) Controller
7	Parallel Port (LPT 1)		

**Computer Diagnostic LEDs (on front of computer)**

LED	Color	LED/Beep Activity	State/Message
Power	Green	On	(S0) Computer on
Power	Green	1 blink every 2 seconds	(S1) Suspend Mode
Power	Green	1 blink every 2 seconds	(S3) Suspend to RAM
Power	Clear	Off	(S4) Hibernation
Power	Clear	Off	(S5) Computer off
Power	Red*	2 blinks 1 second apart	CPU thermal shutdown
Power	Red*	3 blinks 1 second apart	CPU not installed
Power	Red*	4 blinks 1 second apart	Power supply overload (crow bar)
Power	Red*	5 blinks 1 second apart	Defective or missing memory
Power	Red*	6 blinks 1 second apart	Defective or missing graphics
Power	Red*	7 blinks 1 second apart	System board failure (detected prior to video)
Power	Red*	8 blinks 1 second apart	Invalid ROM based on bad checksum
Power	Red*	9 blinks 1 second apart	System not fetching code
Power	Red*	10 blinks 1 second apart	System hang while loading an option ROM
Hard Drive	Green	Blinking	Hard drive activity

\*Blinking codes are repeated after a 2 second pause. Beeps stop after fifth iteration but LEDs continue until problem is resolved.

**Keyboard Diagnostic LEDs, PS/2 Keyboards Only**

LED	Color	LED Activity	State/Message
Num, Caps, Scroll Lock	Green	On (Rising Tone)	ROM reflashed successfully
Num Lock	Green	On	ROMPaq diskette not present, is bad, or drive not ready.*
Caps Lock	Green	On	Enter password.
Num, Caps, Scroll Lock	Green	Blink On in sequence, one at a time - N, C, SL	Keyboard locked in network mode

\* Insert valid ROMPaq diskette in drive A. Turn power switch off, then on to reflash ROM. If ROM flash is successful, all three keyboard LEDs will light up, and you will hear a rising tone series of beeps. Remove diskette and turn power off, then on to restart the computer. For more information about flashing the ROM, refer to the Troubleshooting guide.

**Clearing CMOS**

The computer's configuration (CMOS) may occasionally be corrupted. If it is, it is necessary to clear the CMOS memory using switch SW50.

To clear and reset the configuration, perform the following procedure:

1. Prepare the computer for disassembly.

**CAUTION:** The power cord must be disconnected from the power source before pushing the Clear CMOS Button (NOTE: All LEDs on the board should be OFF). Failure to do so may damage the system board.

2. Remove the access panel.
3. Press the CMOS button located on the system board and keep it depressed for 5 seconds.
4. Replace the access panel.
5. Turn the computer on and run F10 Computer Setup (Setup utility) to reconfigure the system.

**Disabling or Clearing the Power-On and Setup Passwords**

1. Turn off the computer and any external devices, and disconnect the power cord from the power outlet.
2. Remove the access panel.
3. Locate the header and jumper labeled E49.
4. Remove the jumper from pins 1 and 2. Place the jumper over pin 2 only to avoid losing it.
5. Replace the access panel.
6. Plug in the computer and turn on power. Allow the operating system to start.  
NOTE: Placing the jumper on pin 2 clears the current passwords and disables the password features.
7. To re-enable the password features, repeat steps 1-3, then replace the jumper on pins 1 and 2.
8. Repeat steps 5-6, then establish new passwords.

Refer to the Computer Setup (F10 Setup) instructions to establish new passwords.

**Computer Setup (F10) Utility Features (features may vary)**

File	System Information About Set Time and Date	Replicated Setup Default Setup Apply Defaults and Exit	Ignore Changes and Exit Save Changes and Exit
Storage	Device Configuration Storage Options	DPS Self-Test Boot Order	
Security	Setup Password Power-On Password Password Options Smart Cover Embedded Security	Drivelock Security Data Execution Prevention Master Boot Record Security Save Master Boot Record Restore Master Boot Record	Device Security Network Service Boot System IDs
Power	OS Power Management	Hardware Power Management	Thermal
Advanced	Power-On Options BIOS Power On Onboard Devices	PCI Devices Bus Options	Device Options PCI VGA Configuration

## Free Manuals Download Website

<http://myh66.com>

<http://usermanuals.us>

<http://www.somanuals.com>

<http://www.4manuals.cc>

<http://www.manual-lib.com>

<http://www.404manual.com>

<http://www.luxmanual.com>

<http://aubethermostatmanual.com>

Golf course search by state

<http://golfingnear.com>

Email search by domain

<http://emailbydomain.com>

Auto manuals search

<http://auto.somanuals.com>

TV manuals search

<http://tv.somanuals.com>