

User's Guide

hp StorageWorks ESL E-Series Tape Library

Second Edition (May 2004)

Part Number: 350799-002

This guide describes procedures for operating, relocating, and troubleshooting the HP StorageWorks ESL E-Series Tape Library.



© Copyright 2004 Hewlett-Packard Development Company, L.P.

Hewlett-Packard Company makes no warranty of any kind with regard to this material, including, but not limited to, the implied warranties of merchantability and fitness for a particular purpose. Hewlett-Packard shall not be liable for errors contained herein or for incidental or consequential damages in connection with the furnishing, performance, or use of this material.

This document contains proprietary information, which is protected by copyright. No part of this document may be photocopied, reproduced, or translated into another language without the prior written consent of Hewlett-Packard.

Microsoft® is a U.S. registered trademark of Microsoft Corporation.

Hewlett-Packard Company shall not be liable for technical or editorial errors or omissions contained herein. The information is provided "as is" without warranty of any kind and is subject to change without notice. The warranties for Hewlett-Packard Company products are set forth in the express limited warranty statements for such products. Nothing herein should be construed as constituting an additional warranty.

ESL E-Series Tape Library User's Guide
Second Edition (May 2004)
Part Number: 350799-002
Regulatory Model Number: LVLDC-0301

Contents

About this Guide	7
Related documentation	8
Conventions	9
Document conventions	9
Text symbols	9
Equipment symbols	10
Rack stability	12
Getting help	13
HP technical support	13
HP storage web site	13
HP authorized reseller	13
1 Library Overview	15
Library components	16
Library cabinet	16
Front panel	16
Back panel	18
Operator control panel (OCP)	19
Library robotics	21
Tape drives	22
Cleaning cartridges	22
Ultrium 460 and 460-FC tape drives	23
SDLT 320 tape drives	23
Tape cartridges	23
Ultrium 460 tape cartridges	23
SDLT 320 tape cartridges	25
Load ports and magazines	26
Card cage and controllers	28
e2400-160 FC and e2400-FC 2G interface controllers	28
Reset button	30

Power indicator	30
Serial port	30
Ethernet port	30
External FC ports	31
SCSI buses (e2400-160 FC interface controller only)	31
Internal FC ports (e2400-FC 2G interface controller only)	31
LAN-free backup and restore	31
Interface Manager card	32
Library storage locations and slot numbering	35
Model 712e.	40
Model 630e.	41
2 Library Operations	43
Taking ESD precautions.	44
Preparing tape cartridges	49
Labeling tape cartridges	49
Ultrium bar code labels	50
SDLT bar code labels	51
Media label identifiers	52
Setting the write-protect switch	53
Write-protecting Ultrium tape cartridges	53
Write-protecting SDLT tape cartridges	54
Inserting tape cartridges	55
Closing the cabinet doors and access panels	56
Powering the library on and off	58
Powering on the library	58
Placing the library on-line or off-line.	58
Powering off the library	59
Using the OCP	60
Home screen.	60
OCP buttons	60
OCP components	61
Menu screen	62
Viewing library information	63
Viewing cabinet information.	64
Viewing and editing setup information	65
Load Ports screen.	67
Operations screen.	69

Diagnostics screen	70
Stop button	72
Inserting tape cartridges into the load port	73
3 Maintenance and Troubleshooting	75
Start-up problems	76
OCP problems	77
Robotics problems	78
Operating problems	80
Tape drive problems	82
Interface Manager card problems	83
FC interface controller problems	88
LED indicators	88
Basic troubleshooting	89
Verifying SCSI bus configuration	90
Verifying FC port connection	90
Verifying FC and SCSI devices in Windows NT	91
Verifying the interface controller configuration	91
Verifying devices	91
Verifying the host configuration	92
Verifying HBA device driver information	92
Verifying serial port configuration	92
Maintaining tape cartridges	93
Cleaning tape drives	95
Cleaning SDLT tape drives	95
Cleaning Ultrium tape drives	95
A Library Characteristics	97
Physical specifications and requirements	98
Performance and reliability characteristics	99
Environmental specifications	100
B Relocating the Library	103
Checking the new installation site	104
Preparing the library for relocation	105
Removing tape cartridges	105
Installing shipping restraints and packing	106
Disconnecting library cables	113

Crating the library	115
Preparing the library for operation	118
C Regulatory Statements	119
FCC statement	119
BSMI statement	120
Japan statement (VCCI)	121
Industry Canada (digital apparatus)	122
CISPR-22 WARNING!	122
ACHTUNG!	122
ATTENTION!	122
Notice for USA and CANADA only	123
ATTENTION	123
REMARQUE	123
Laser statement	124
Class 1 laser product	124
Laser klasse 1	124
Appareil à laser de classe 1	124
Producto láser de clase 1	124
Luokan 1 laserlaite	125
Battery statement	126
LET OP	126
VAROITUS	126
ATTENTION	126
ACHTUNG	126
Attenzione	127
PRECAUCIÓN	127
VARNING!	127
D Sense Data Values	129
E Event Reporting	143
Information events	144
Warning events	146
Critical events	148
Glossary	153
Index	159

About this Guide

This user's guide provides information to help you:

- Operate the tape library.
- Relocate the tape library.
- Troubleshoot the tape library.

“About this Guide” topics include:

- [Related documentation](#), page 8
- [Conventions](#), page 9
- [Getting help](#), page 13

Related documentation

In addition to this guide, HP provides corresponding information:

- *HP StorageWorks ESL E-Series Tape Library Site Survey*
- *HP StorageWorks ESL E-Series Unpacking and Installation Guide*
- *HP StorageWorks ESL E-Series Tape Library Service Manual*

Conventions

Conventions consist of the following:

- Document conventions
- Text symbols
- Equipment symbols

Document conventions

This document follows the conventions in [Table 1](#).

Table 1: Document conventions

Convention	Element
Blue text: Figure 1	Cross-reference links
Bold	Menu items, buttons, and key, tab, and box names
<i>Italics</i>	Text emphasis and document titles in body text
Monospace font	User input, commands, code, file and directory names, and system responses (output and messages)
<i>Monospace, italic font</i>	Command-line and code variables
Blue underlined sans serif font text (http://www.hp.com)	Web site addresses

Text symbols

The following symbols may be found in the text of this guide. They have the following meanings:



WARNING: Text set off in this manner indicates that failure to follow directions in the warning could result in bodily harm or death.



Caution: Text set off in this manner indicates that failure to follow directions could result in damage to equipment or data.

Tip: Text in a tip provides additional help to readers by providing nonessential or optional techniques, procedures, or shortcuts.

Note: Text set off in this manner presents commentary, sidelights, or interesting points of information.

Equipment symbols

The following equipment symbols may be found on hardware for which this guide pertains. They have the following meanings:



Any enclosed surface or area of the equipment marked with these symbols indicates the presence of electrical shock hazards. Enclosed area contains no operator serviceable parts.

WARNING: To reduce the risk of personal injury from electrical shock hazards, do not open this enclosure.



Any RJ-45 receptacle marked with these symbols indicates a network interface connection.

WARNING: To reduce the risk of electrical shock, fire, or damage to the equipment, do not plug telephone or telecommunications connectors into this receptacle.



Any surface or area of the equipment marked with these symbols indicates the presence of a hot surface or hot component. Contact with this surface could result in injury.

WARNING: To reduce the risk of personal injury from a hot component, allow the surface to cool before touching.



Power supplies or systems marked with these symbols indicate the presence of multiple sources of power.

WARNING: To reduce the risk of personal injury from electrical shock, remove all power cords to completely disconnect power from the power supplies and systems.



Any product or assembly marked with these symbols indicates that the component exceeds the recommended weight for one individual to handle safely.

WARNING: To reduce the risk of personal injury or damage to the equipment, observe local occupational health and safety requirements and guidelines for manually handling material.

Rack stability

Rack stability protects personnel and equipment.



WARNING: To reduce the risk of personal injury or damage to the equipment, be sure that:

- The leveling jacks are extended to the floor.
 - The full weight of the rack rests on the leveling jacks.
 - In single rack installations, the stabilizing feet are attached to the rack.
 - In multiple rack installations, the racks are coupled.
 - Only one rack component is extended at any time. A rack may become unstable if more than one rack component is extended for any reason.
-

Getting help

If you still have a question after reading this guide, contact an HP authorized service provider or access our ESL E-series web site:

<http://www.hp.com/support/esle>.

HP technical support

Telephone numbers for worldwide technical support are listed on the following HP web site: <http://www.hp.com/support/>. From this web site, select the country of origin.

Note: For continuous quality improvement, calls may be recorded or monitored.

Be sure to have the following information available before calling:

- Technical support registration number (if applicable)
- Product serial numbers
- Product model names and numbers
- Applicable error messages
- Operating system type and revision level
- Detailed, specific questions

HP storage web site

The HP web site has the latest information on this product, as well as the latest drivers. Access storage at: <http://www.hp.com/country/us/eng/prodserv/storage.html>. From this web site, select the appropriate product or solution.

HP authorized reseller

For the name of your nearest HP authorized reseller:

- In the United States, call 1-800-345-1518
- In Canada, call 1-800-263-5868
- Elsewhere, see the HP web site for locations and telephone numbers:
<http://www.hp.com>.

Library Overview



This chapter describes both the ESL E-Series tape library and its components. The chapter consists of:

- [Library components](#), page 16
- [Library storage locations and slot numbering](#), page 35

Library components

The ESL E-Series tape library consists of the following major components:

- [Library cabinet](#), page 16
- [Operator control panel \(OCP\)](#), page 19
- [Library robotics](#), page 21
- [Tape drives](#), page 22
- [Load ports and magazines](#), page 26
- [Card cage and controllers](#), page 28
- [Interface Manager card](#), page 32

Library cabinet

The cabinet houses all library components, including:

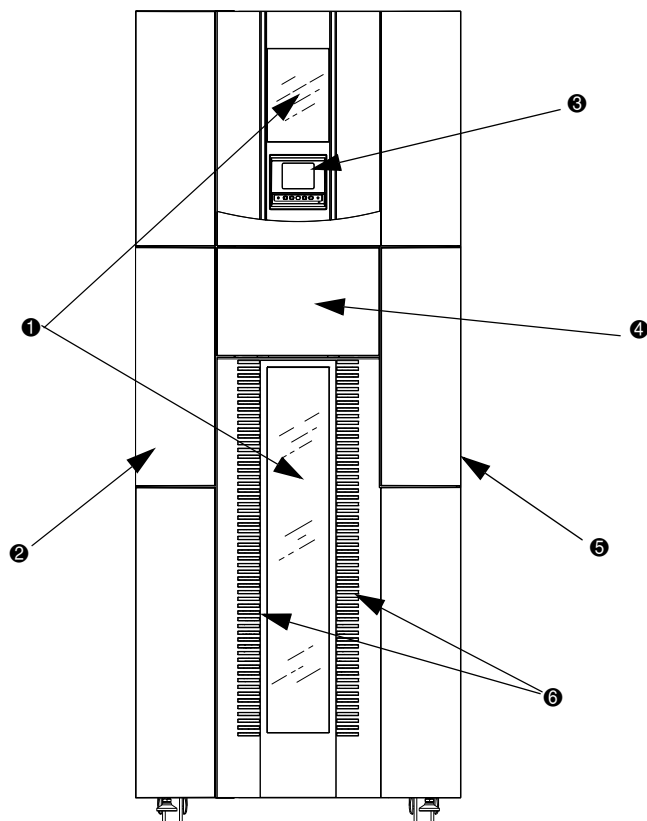
- Media picker
- Storage bins
- Control electronics
- Power supply and distribution equipment
- Tape drives
- Card cage with Fibre Channel (FC) interface controllers and robotics controller
- Interface Manager card

You can access these components through the front and back doors of the library cabinet.

Front panel

The front of the library cabinet (see [Figure 1](#)) provides the following:

- The front doors provide easy access to the media picker and the storage array.
- The viewing window makes it possible to visually monitor library operations.
- An Operator Control Panel (OCP) in the center of the door enables you to monitor and control library operations.
- Two configurable load ports allow easy insertion of cartridges without opening the library door.



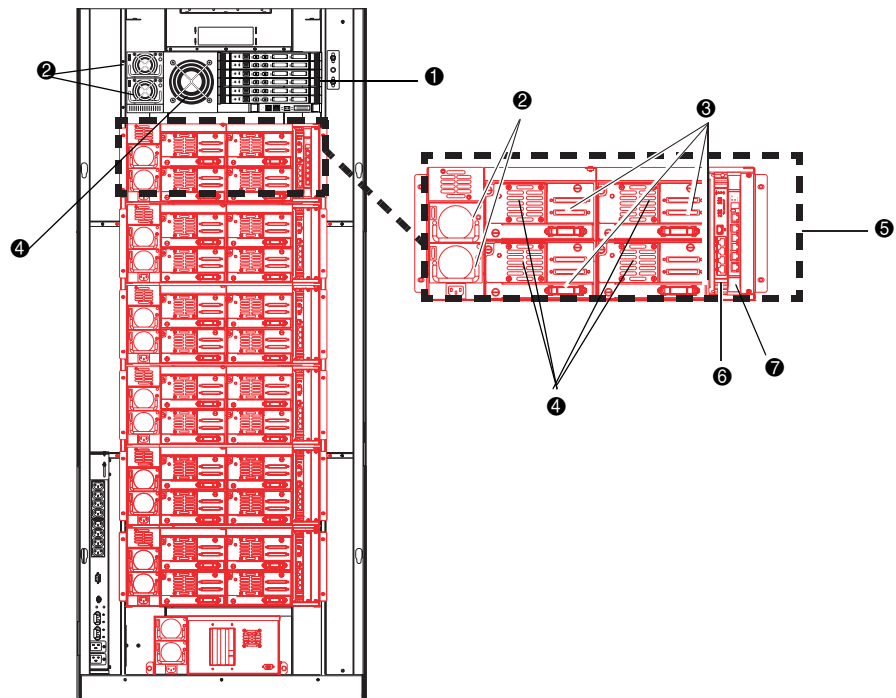
- | | |
|-------------------|----------------------------------|
| ❶ Viewing windows | ❹ Laptop tray in closed position |
| ❷ Left load port | ❺ Right load port |
| ❸ OCP | ❻ Ventilation and air filters |

Figure 1: Library cabinet - front view

Back panel

The back of the library cabinet (see [Figure 2](#)) provides easy access to:

- Cooling fans
- Power, control, and data interfaces
- Tape drives
- Tape drive communication (cluster controller card and Interface Manager card)
- Card cage with FC interface controllers and a robotics controller card



- | | |
|--|--|
| ❶ Card cage | ❷ Interface manager |
| ❷ Power supplies (2 per drive cluster and 2 per card cage) | ❸ Tape drives (up to 4 per drive cluster) |
| ❸ Tape drives (up to 4 per drive cluster) | ❹ Cooling fans (1 per drive and 1 per card cage) |
| ❹ Cooling fans (1 per drive and 1 per card cage) | ❺ Cluster 0 |
| ❺ Cluster 0 | ❻ Cluster controller card (1 per drive cluster) |
| ❻ Cluster controller card (1 per drive cluster) | ❼ Card cage |
| ❼ Card cage | |

Figure 2: Library cabinet - back panels

Operator control panel (OCP)

The OCP features a menu system for determining library status, configuring the library, and performing certain diagnostic functions (see [Figure 3](#)).

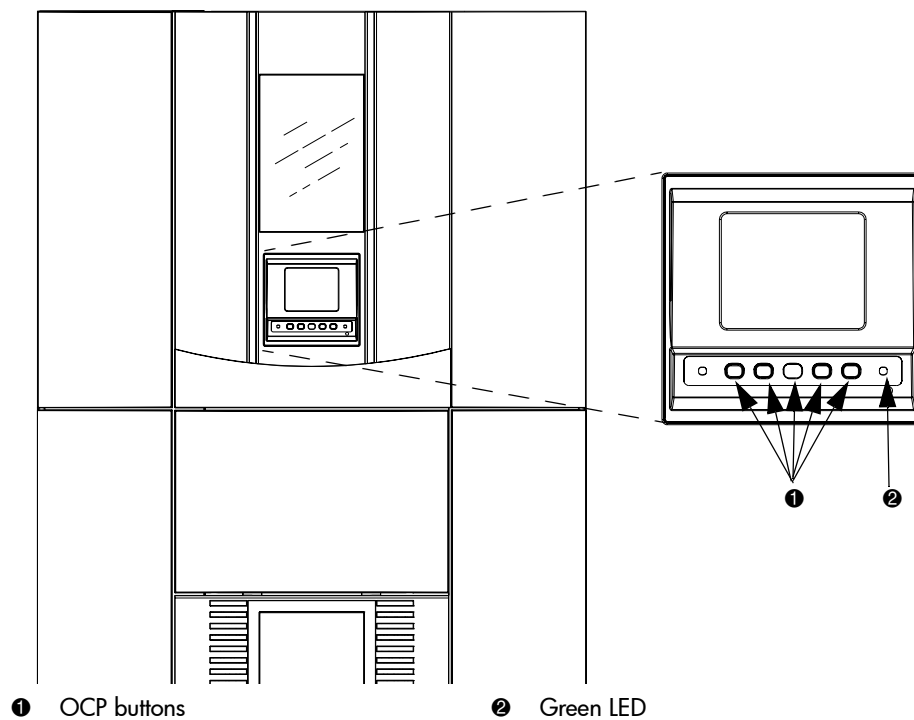


Figure 3: OCP initial screen

The OCP consists of the following features (see [Table 2](#)):

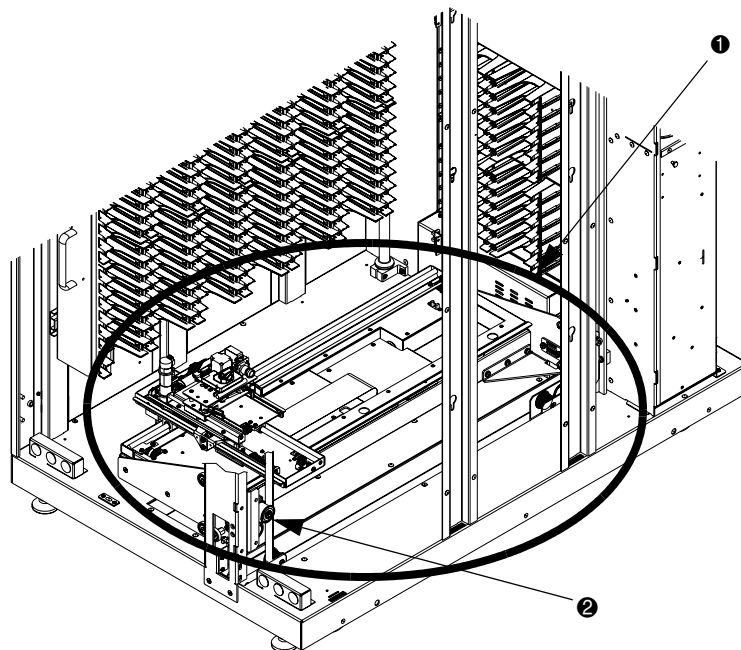
Table 2: OCP features

Feature	Description
■ OCP	The OCP displays library status information and allows you to access the library menus. These menus allow you to view or change the library settings, run demonstration programs, or run diagnostic tests.
■ OCP buttons	The OCP is discussed in “Using the OCP” on page 60 . Use these buttons in combination with the OCP to scroll through screens and select options or commands. The functionality of these buttons changes depending on the currently displayed GUI screen.
■ LED indicator	The green LED lights when the library is fully operational and ready to accept host commands. It flashes while the library is transitioning from a READY state to a NOT READY state. The library will not be READY during power-on self-tests, when magazines are being released, or during access to certain menu items.

Note: You can also perform diagnostics using HP StorageWorks Library and Tape Tools (L&TT), available from <http://www.hp.com/support/tapetools>. Additionally, you can configure the library and monitor library status using HP StorageWorks Command View ESL that shipped with your product. For support information, visit <http://www.hp.com/support/cvesl>.

Library robotics

The library robotics consists of the main components identified in [Figure 4](#).



❶ Picker assembly

❷ Vertical motor

Figure 4: Library robotics

The vertical and horizontal motors move the library robotics into position to pick and place tape cartridges, and rotates the optical scanner 180° to allow the library robotics to pass cartridges between the side storage bins and the back storage bins or tape drives. The extension axis assembly extends the library robotics forward to make contact with the desired cartridge and then retracts the library robotics to remove the cartridge from a bin or drive.

The library robotics includes the optical scanner that reads bar code labels (7 characters for Super Digital Linear Tape (SDLT) and 8 characters for Ultrium). The scanner is used to maintain an inventory of the tape cartridges within the library. A full inventory occurs automatically whenever the library is powered on or when the doors have been opened. An inventory of just the load ports occurs when the load ports have been opened. Inventories can also be initiated from the host computer.

Although the library does not require tape cartridges to have bar code labels, properly labeled tape cartridges and full storage bins speed up the inventory process and greatly improved media management.

Tape drives

The ESL E-Series tape library can hold up to 24 Ultrium 460, Ultrium 460-FC, or SDLT 320 tape drives. When fewer than 24 drives are installed in the library, the tape drives must occupy consecutive drive clusters, beginning with drive cluster 0 (see [Figure 2](#) on page 18).



Caution: It is critical to ensure that the media you use matches the format of your tape drive. Cleaning cartridges and formatted data cartridges are unique for each drive technology. Damage may occur if inappropriate media is used in tape drives.

Tape cartridges and cleaning cartridges are not included with the library, and must be ordered in addition to the library.

Cleaning cartridges

Note: By default, Autoclean is disabled. Ensure your application software supports this feature before enabling it.

If a drive experiences read/write errors when the Autoclean function is enabled, the library issues an error message stating that drive cleaning is required. Without user intervention, the media picker replaces the data cartridge with a cleaning cartridge. When the cleaning procedure finishes, the media picker returns the data cartridge to the drive.

Note: Ultrium cleaning cartridges have a 50-use limit, while SDLT cleaning cartridges have a 20-use limit. Once a cleaning cartridge has reached its use limit it must be replaced. If the drive continues to request cleaning after a cleaning cartridge has been loaded, replace the cleaning cartridge with a new one.

Ultrium 460 and 460-FC tape drives

The Ultrium tape drive is a high-performance streaming tape drive that uses Linear Tape-Open (LTO) technology. An Ultrium 460 or 460-FC tape drive is capable of storing up to 200 GB (native) of data per cartridge, and has a sustained data transfer rate of 30 MBps (108 GBph) (native). Access the *HP StorageWorks Ultrium Tape Drive User's Guide* from <http://www.hp.com/support> for more information about its features and capabilities.

SDLT 320 tape drives

The SDLT 320 tape drive is a high-capacity, high-performance streaming tape drive that uses Laser Guided Magnetic Recording (LGMR) technology to maximize the amount of data that can be stored on a tape. An SDLT 320 tape drive is capable of storing up to 160 GB (native) of data per cartridge and has a sustained data transfer rate of 16 MBps (57.6 GBph). Access the *HP StorageWorks SDLT Tape Drive Reference Guide* from <http://www.hp.com/support> for more information about its features and capabilities.

Tape cartridges

Note: Tape cartridges are not included in the purchase of a tape library. Purchase tape cartridges separately.

Ultrium 460 tape cartridges

Ultrium 460 and 460-FC tape drives both use the Ultrium 460 tape cartridges.

Note: In addition to the information provided in this manual, refer to the documentation provided with your media for more information.



Caution: Ultrium tape drives require special cleaning cartridges and data cartridges formatted specifically for HP Ultrium. To avoid damage to your tape drive, it is critical to use appropriate cleaning cartridges and properly formatted data cartridges.

Approved media has the Ultrium format trademark, which indicates the media has passed Ultrium format compliance testing (see [Figure 5](#)).



Figure 5: HP Ultrium format trademark

For best results, always use HP branded media and bar code labels. The following tape cartridges and label packs are approved for the library's Ultrium tape drives (capacity listed assumes 2:1 compression):

- HP Ultrium data cartridge:
 - C7972A (400 GB, Ultrium 460)
 - C7971A (200 GB, Ultrium 230)
- HP Ultrium 460 prelabeled data cartridge:
 - C7972L (400 GB, Europe Only, Ultrium 460)
 - C7972AL (400 GB, Americas Only, Ultrium 460)
 - C7971L (200GB, Europe Only, Ultrium 230)
 - C7971AL (200 GB, Americas Only, Ultrium 230)
- HP Ultrium bar code label pack:
 - Q2002A (Ultrium 460)
 - Q2001A (Ultrium 230)
- HP Ultrium universal cleaning cartridge:
 - C7978A



Caution: Do not bulk erase Ultrium formatted cartridges. This destroys prerecorded servo information and makes the cartridge unusable.

Always visually inspect your tape cartridges when loading or removing them from your tape library. Taking a few minutes to check the condition of your cartridges lowers the risk of repeated failures and helps ensure uninterrupted backup.



Caution: Always discard damaged tape cartridges. If a defective tape cartridge is loaded into a tape drive, it may damage the drive, potentially requiring drive replacement.

Note: For information on ordering tape cartridges and bar code labels, refer to the ordering sheet that shipped with your library. You can also access this information at <http://www.hp.com/go/tape>

SDLT 320 tape cartridges

Note: In addition to the information provided in this manual, refer to the documentation provided with your media for more information.

The following tape cartridges and label packs are approved for the library's SDLT tape drives (capacity listed assumes 2:1 compression):

- HP SDLT Data Cartridge:
 - C7980A (220-320 GB)
- HP SDLT Prelabeled Data Cartridge:
 - C7980L (220-320 GB, Europe Only)
 - C7980AL (220-320 GB, Americas Only)
- HP SDLT Cleaning Cartridge:
 - C7982A
- HP SDLT Bar Code Label Pack:
 - Q2003A



Caution: SDLT tape drives require special cleaning cartridges and data cartridges formatted specifically for SDLT. To avoid damage to your tape drive, it is critical to use appropriate cleaning cartridges, and properly formatted data cartridges. Do not use DLT Tape I, DLT Tape II, DLT Tape III, or DLT Tape IIIXT data cartridges, or DLT cleaning cartridges with SDLT tape drives.

Make it a practice to visually inspect your tape cartridges when loading or removing them from your tape library. Taking a few minutes to check the condition of your cartridges will lower the risk of repeated failures and help ensure uninterrupted backup.



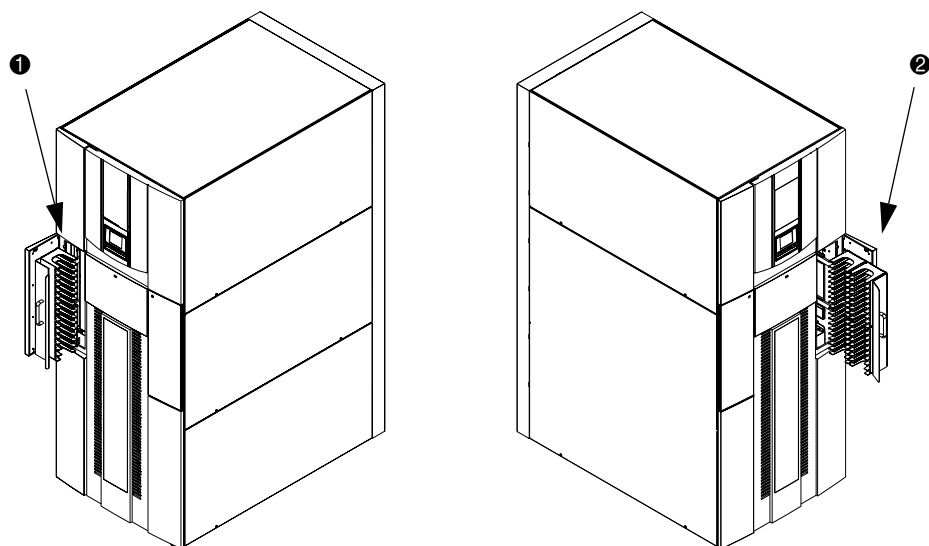
Caution: Always discard damaged tape cartridges. If a defective tape cartridge is loaded into a tape drive it may damage the drive, potentially requiring drive replacement.

Note: For information on ordering tape cartridges and bar code labels, refer to the ordering sheet that shipped with your library.

Load ports and magazines

The load ports are mechanical devices in the front panel of the library that enable you to import or export tape cartridges to and from the library via three tape cartridge magazines without interrupting library operations.

There are 2 tape cartridge magazines in the left load port, and 4 in the right (see [Figure 6](#)). The number of tape cartridges in these magazines differs between the SDLT and LTO libraries. [Table 3](#) lists LTO slot count for various configurations; [Table 4](#) lists SDLT slot count.



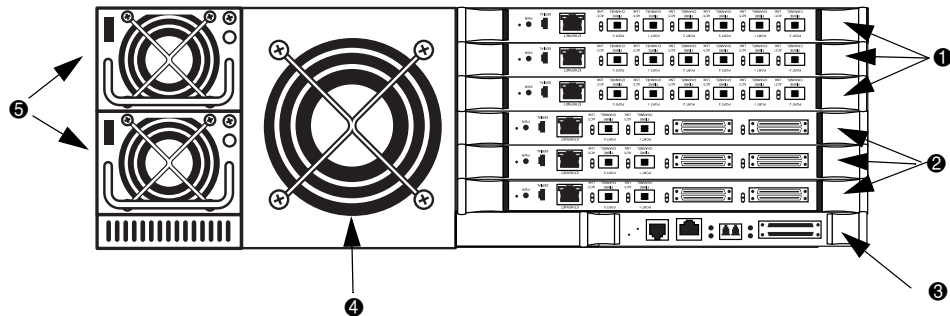
❶ Left load port (16-SDLT or 18 Ultrium)

❷ Right load port (32-SDLT or 36 Ultrium)

Figure 6: Load ports (left and right)

Card cage and controllers

The library card cage The library card cage is located in the top of the library cabinet, above cluster 0. It houses up to six FC interface controllers (e2400-160) or native FC interface controllers (e2400-FC 2G), the library robotics controller (e1200-160), a fan, and two power supplies (see [Figure 7](#)).



- | | |
|---|----------------------------|
| ❶ e2400-FC 2G FC interface controllers | ❷ Card cage fan |
| ❸ e2400-160 FC interface controllers | ❹ Card cage power supplies |
| ❺ Library robotics controller e1200-160 | |

Figure 7: Card cage with controllers

e2400-160 FC and e2400-FC 2G interface controllers

The FC interface controllers translates the Fibre Channel Protocol (FCP) to and from the SCSI protocol, if necessary. It transfers commands, data, and status information to and from FC controllers and FC and SCSI devices.

Supported devices include:

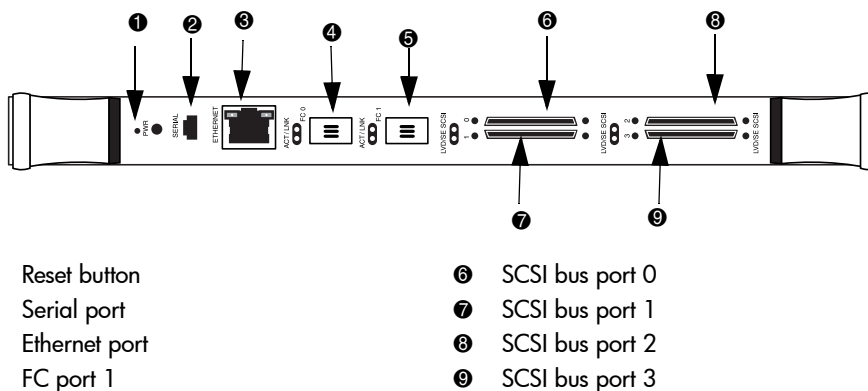
- Initiator devices – FC hosts
- Sequential access devices – tape drives
- Changer devices – tape libraries

The e2400-160 FC interface controller provides bidirectional connectivity for Ultra-3 SCSI buses in a Fibre Channel Switched Fabric (FC-SW) environment.

The e2400-FC 2G interface controller provides fibre connectivity for native FC drives, such as the Ultrium 460-FC drive.

Note: For information on installing the HP StorageWorks e2400-160 FC and e2400-FC 2G interface controllers, refer to the *HP StorageWorks ESL E-Series Unpacking and Installation Guide*, or the documentation that shipped with the interface controller.

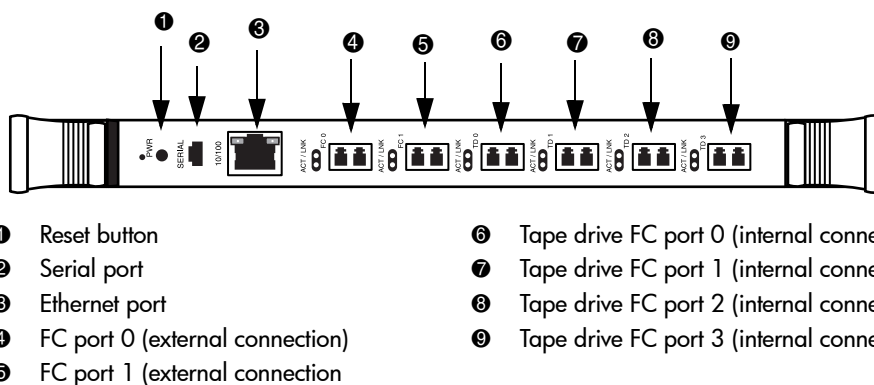
Figure 8 illustrates the I/O panel of the e2400-160 FC interface controller.



- | | |
|-----------------|-------------------|
| ❶ Reset button | ❹ SCSI bus port 0 |
| ❷ Serial port | ❺ SCSI bus port 1 |
| ❸ Ethernet port | ❻ SCSI bus port 2 |
| ❹ FC port 1 | ❼ SCSI bus port 3 |
| ❺ FC port 2 | |

Figure 8: e2400-160 FC interface controller

Figure 9 illustrates the I/O panel of the e2400-FC 2G interface controller.



- | | |
|-----------------------------------|--|
| ❶ Reset button | ❹ Tape drive FC port 0 (internal connection) |
| ❷ Serial port | ❺ Tape drive FC port 1 (internal connection) |
| ❸ Ethernet port | ❻ Tape drive FC port 2 (internal connection) |
| ❹ FC port 0 (external connection) | ❼ Tape drive FC port 3 (internal connection) |
| ❺ FC port 1 (external connection) | |

Figure 9: e2400-FC 2G interface controller

Reset button

To force a manual reboot of the FC interface controller, use the reset button (see [Figure 8](#) and [Figure 9](#)). Press the button with a pen or other small object. You can also select the `Reboot` menu option in the Command View ESL, as described later in this manual.



Caution: Using the **Reset** button during an ongoing data backup, restore, or other data transfer process, can result in a disruption of that process and a loss of data. Before selecting the **Reset** button, verify that no data is currently transferring through the FC interface controller by visually inspecting the Activity LEDs of all I/O ports on the FC interface controller.

Power indicator

The interface controller has one power LED.

- *Green* - Power has been applied to this module
- *Yellow* - Power-On-Self-Test (POST) in process or processor problems

Serial port

The interface controller is equipped with one serial port. See [Figure 8](#) and [Figure 9](#) for the location of the serial port.

Note: The serial port is an HP service port not intended for customer use on the ESL E-series library.

Ethernet port

One Ethernet port with an LED indicator is included in the interface controller. See [Figure 8](#) and [Figure 9](#) for the location of the Ethernet port.

- *Activity* - Port activity
- *Link* - Valid Ethernet link

External FC ports

Two FC ports (for external connections) with LED indicators are found on the interface controller: Port F0 and Port F1. See [Figure 8](#) and [Figure 9](#) for the location of the FC ports.

- *Green* (ACT) - FC port activity
- *Green* (LINK) - Valid FC link

SCSI buses (e2400-160 FC interface controller only)

Four SCSI buses with LED indicators are included in the FC interface controller. See [Figure 8](#) for the location of the SCSI buses.

- *Green* - SCSI bus activity on corresponding port

Internal FC ports (e2400-FC 2G interface controller only)

The native FC interface controller has 6 native FC ports with LED indicators: 2 ports (FC0 and FC1) connect to the SAN; 4 ports (TD0 through TD3) connect to drives in the corresponding cluster. See [Figure 9](#) for the location of these ports.

- *Green* (ACT) - FC port activity
- *Green* (LINK) - Valid FC link

LAN-free backup and restore

The e2400-160 FC and the e2400-FC 2G interface controllers can enable LAN-free backup/restore to allow the bulk of data traffic to be moved from the LAN to the storage area network (SAN).

See [Figure 10](#) for an illustration of this process.

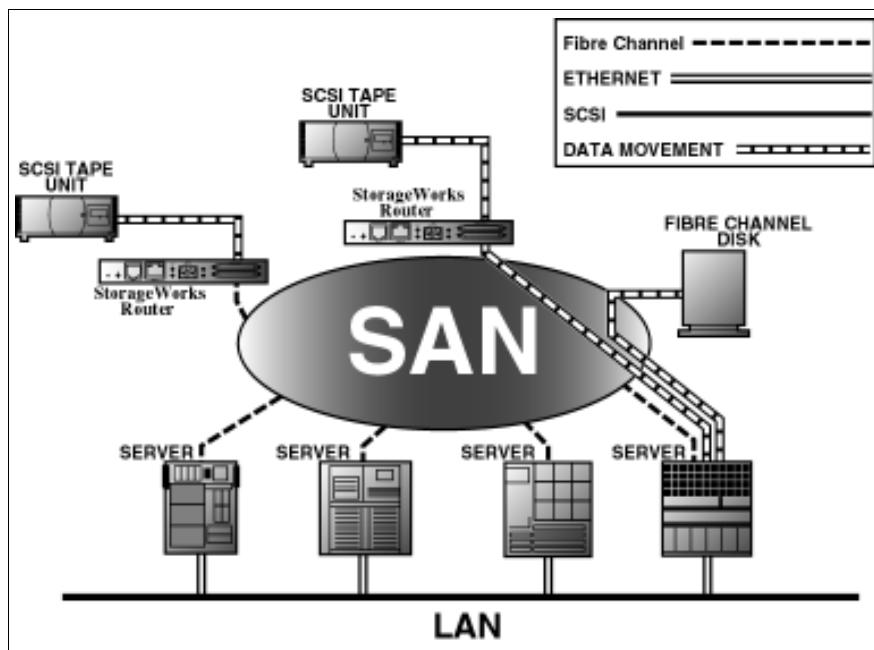


Figure 10: LAN-free backup and restore

Interface Manager card

The HP StorageWorks Interface Manager is a management card designed to consolidate and simplify the management of multiple FC interface controllers installed in the library. It also provides SAN-related diagnostics and management for library components including interface controllers, drives, and robotics. The Interface Manager card, in conjunction with HP StorageWorks Command View ESL software, provides remote management of the library via a serial, telnet, or web-based GUI interface.

The Interface Manager card is located in drive cluster 0 to the right of the cluster controller card (see [Figure 11](#)).

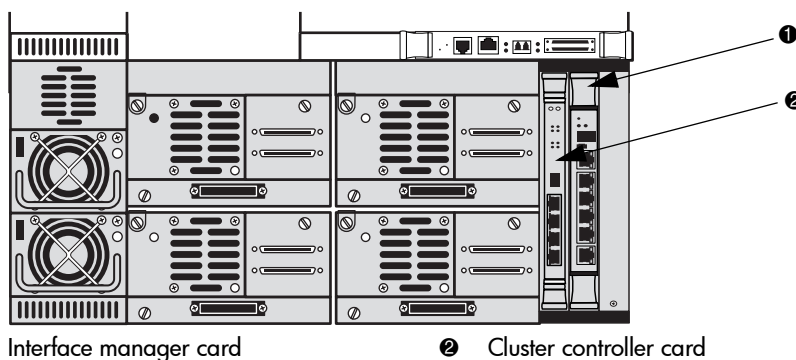


Figure 11: Interface Manager card

Note: Additional advanced SAN security and management features are available via permanent software licenses. For more information, refer to the documentation that shipped with the Interface Manager and Command View ESL software kit. Details are also available at <http://www.hp.com/support/cvesl>.

Note: Command View ESL, provided with your library, is a utility that provides diagnostics and management by accessing devices through a LAN infrastructure. For more information on Command View ESL, go to <http://www.hp.com/support/cvesl>.

Note: HP StorageWorks Library and Tape Tools (L&TT) is a diagnostic utility that can access devices across a FC infrastructure. For more information on L&TT, go to <http://www.hp.com/support/tapetools>.

The Interface Manager communicates with the management station over the LAN. The management station is a Microsoft® Windows-based PC (server) that hosts the Command View ESL software. Ideally, the management station should have a static IP address and be dedicated for use with the Interface Manager and Command View ESL software.

Note: For information on using the Command View ESL software, see the *HP StorageWorks Interface Manager and Command View ESL User Guide* that shipped with your library or visit <http://www.hp.com/support/cvesl>.

Any client machine on the LAN can communicate with the Interface Manager either through the GUI web interface, or through a Telnet command line interface (CLI). At a higher level, multiple libraries, each containing an Interface Manager card, can be connected to a single management station. Each Interface Manager card can communicate with only one management station, but the management station can communicate with multiple Interface Manager cards (see [Figure 12](#)).

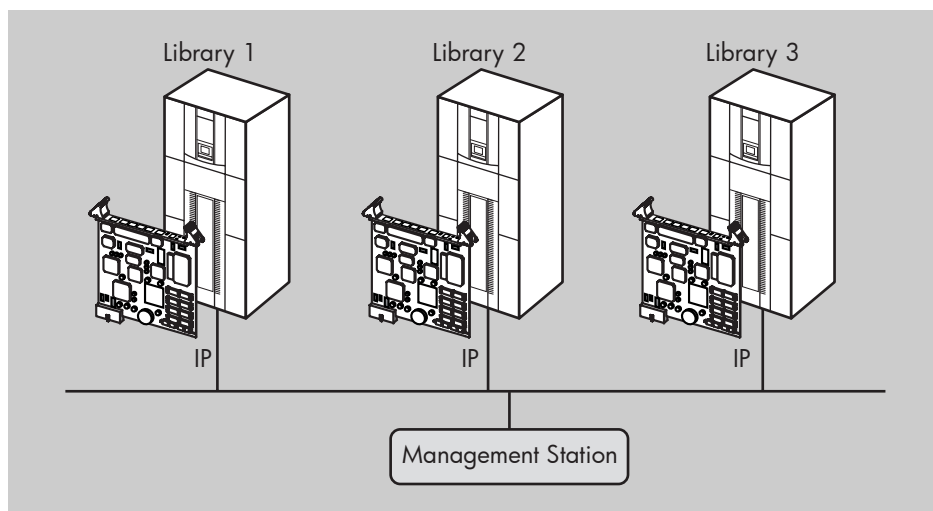


Figure 12: Multiple libraries connected to a single management station

Tip: HP recommends that you install Command View ESL on a single dedicated server (management station) on the LAN. However, it is possible to install Command View ESL on multiple servers. In this scenario, if one management station claims a library for management, then that same library cannot be managed by any other management station. A library can only be managed by one management station at a time.

Library storage locations and slot numbering

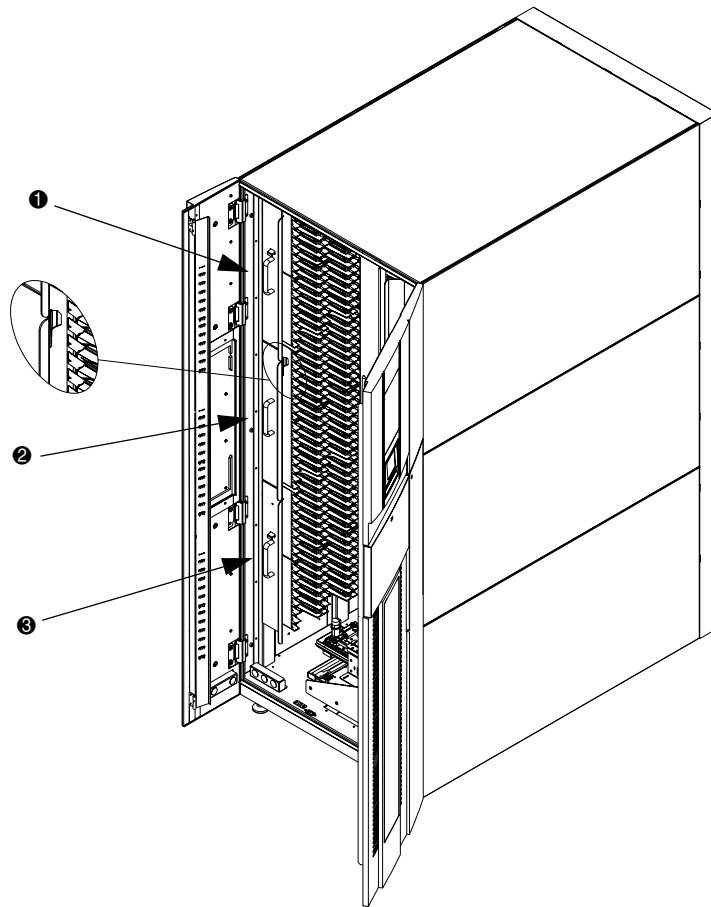
The HP StorageWorks ESL E-Series tape library is an automated tape storage and retrieval library that may consist of up to 24 tape drives and up to 718 Ultrium 460 tape cartridges, or 636 SDLT 320 tape cartridges.

The library stores tape cartridges in the following locations:

- Left panels
- Right panels
- Back panels

Note: The number of tape cartridge slots depends on the drive technology used. The number of back panel slots depends on how many drive clusters are in the library. See “[Model 712e](#)” on page 40 and “[Model 630e](#)” on page 41 for tape cartridge quantity information.

To slide the slot panels out of the cabinet, press the slot panel latches down and pull the slot panel out of the cabinet (see [Figure 13](#)).



- ❶ Upper load port panel latch
- ❷ Middle load port panel latch

- ❸ Lower load port panel latch

Figure 13: Sliding the slot panels out of the cabinet

Figure 14 shows the left panel bins. Begin with panel 1 and load top to bottom and left to right. Continue with panel 2 in the same manner, and finally, panel 3.

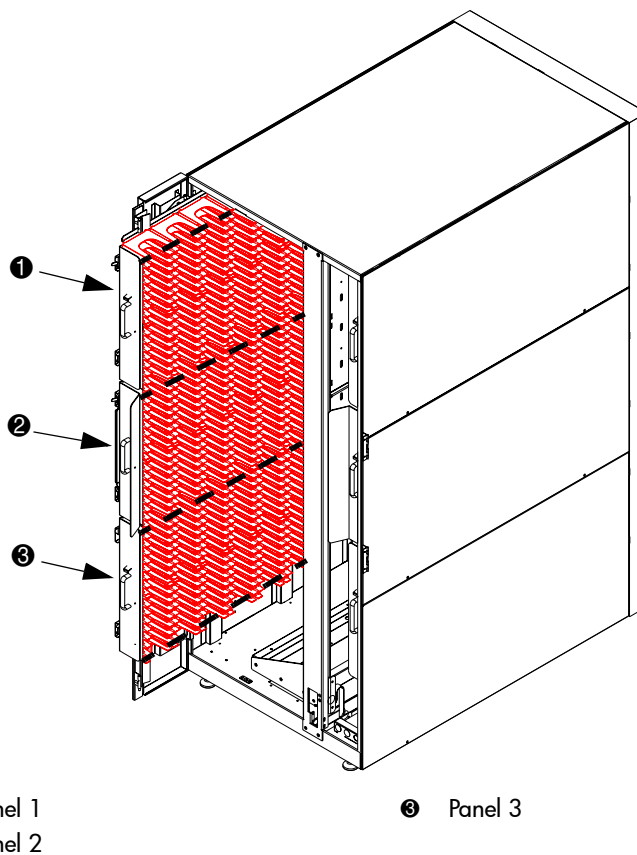
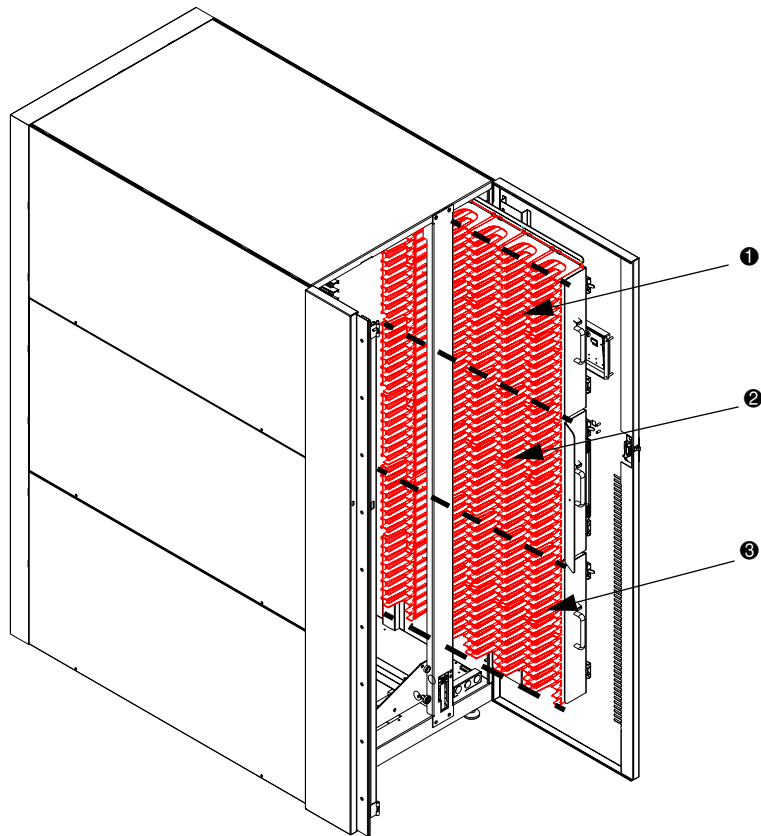


Figure 14: Bin shelf numbering, left panels

Figure 15 shows the right panel bins. Begin with panel 4 and load top to bottom and left to right. Continue with panel 5 in the same manner, and finally, panel 6.



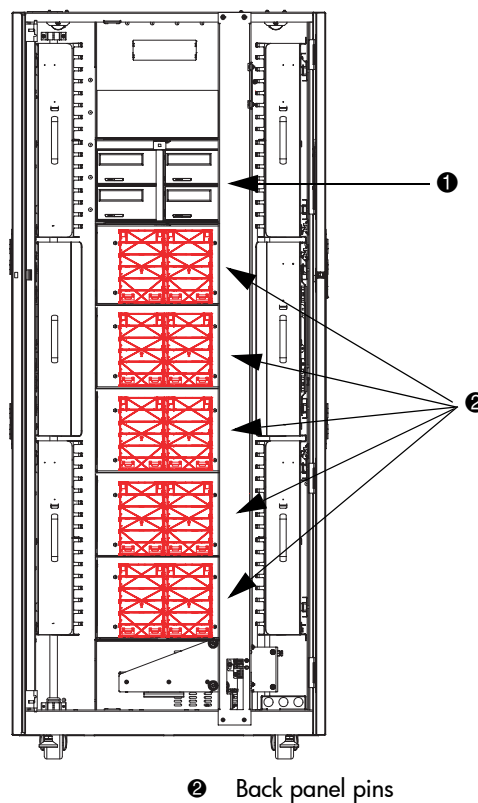
- ❶ Panel 4
- ❷ Panel 5

- ❸ Panel 6

Figure 15: Bin shelf numbering, right panels

Figure 16 shows the back panel bins. Each column has seven slots. Begin at the top, with the panel corresponding to cluster 0, and load top to bottom and left to right. Continue loading each sequential cluster, top to bottom and left to right.

Note: The number of slots located in the back panel varies with the number of drive clusters installed.



❶ Cluster 0

❷ Back panel pins

Figure 16: Bin shelf numbering, back panel

Model 712e

Storage capacity in Ultrium libraries is as shown in [Table 3](#).

Table 3: Ultrium library storage elements

Number of drives	Load ports used	Load port capacity	User slots
1 - 4	0	0	718
1 - 4	Left only	18	700
1 - 4	Right only	36	682
1 - 4	Both	54	664
5 - 8	0	0	704
5 - 8	Left only	18	686
5 - 8	Right only	36	668
5 - 8	Both	54	650
9 - 12	0	0	690
9 - 12	Left only	18	672
9 - 12	Right only	36	654
9 - 12	Both	54	636
13 - 16	0	0	676
13 - 16	Left only	18	658
13 - 16	Right only	36	640
13 - 16	Both	54	622
17 - 20	0	0	662
17 - 20	Left only	18	644
17 - 20	Right only	36	626
17 - 20	Both	54	608
21 - 24	0	0	648
21 - 24	Left only	18	630
21 - 24	Right only	36	612
21 - 24	Both	54	594

Note: If the load ports are configured, those slots cannot be used as data slots.

Model 630e

Storage capacity in the SDLT library is as shown in [Table 4](#).

Table 4: SDLT library storage elements

Number of drives	Load ports used	Load port capacity	User slots
1 - 4	0	0	636
1 - 4	Left only	16	620
1 - 4	Right only	32	604
1 - 4	Both	48	588
5 - 8	0	0	624
5 - 8	Left only	16	608
5 - 8	Right only	32	592
5 - 8	Both	48	576
9 - 12	0	0	612
9 - 12	Left only	16	596
9 - 12	Right only	32	580
9 - 12	Both	48	564
13 - 16	0	0	600
13 - 16	Left only	16	584
13 - 16	Right only	32	568
13 - 16	Both	48	552
17 - 20	0	0	588
17 - 20	Left only	16	572
17 - 20	Right only	32	556
17 - 20	Both	48	540
21 - 24	0	0	576
21 - 24	Left only	16	560
21 - 24	Right only	32	544
21 - 24	Both	48	528

Note: If the load ports are configured, those slots cannot be used as data slots.

Library Operations

2

This chapter describes the following basic library operating procedures:

- [Taking ESD precautions](#), page 44
- [Preparing tape cartridges](#), page 49
- [Inserting tape cartridges](#), page 55
- [Closing the cabinet doors and access panels](#), page 56
- [Powering the library on and off](#), page 58
- [Using the OCP](#), page 60
- [Inserting tape cartridges into the load port](#), page 73

Taking ESD precautions

Components within the library contain static-sensitive parts. To prevent damage to these parts while performing installation, maintenance, or replacement procedures, observe the following precautions:

- Keep the cabinet turned off during all installation, maintenance, and replacement procedures.
- Keep the cabinet power cord connected to a grounded power outlet except when working with AC electrical components.



WARNING: This product can only be used with an HP approved power cord for your specific geographic region. Use of a non-HP approved power cord may result in: 1) not meeting individual country specific safety requirements; 2) insufficient conductor ampacity that could result in overheating with potential personal injury and/or property damage; and 3) fracturing resulting in the internal contacts being exposed, which potentially could subject the user to a shock hazard. HP disclaims all liability in the event a non-HP approved power cord is used.



AVERTISSEMENT : ce produit ne peut être utilisé qu'avec un cordon d'alimentation approuvé par HP pour votre zone géographique. L'emploi d'un cordon d'alimentation non approuvé par HP peut avoir les conséquences suivantes : 1) non-conformité aux spécifications de sécurité du pays concerné ; 2) intensité admissible du conducteur insuffisante pouvant provoquer une surchauffe créant un risque de blessure ou d'endommagement du produit ; et 3) rupture pouvant exposer les contacts internes et créer un risque d'électrocution pour l'utilisateur. HP décline toute responsabilité en cas d'utilisation d'un cordon d'alimentation non approuvé.



VORSICHT: Dieses Produkt kann ausschließlich mit einem von HP für Ihre Region zugelassenen Netzkabel verwendet werden. Die Verwendung eines nicht von HP zugelassenen Netzkabels kann folgende Konsequenzen haben: 1) Nichteinhaltung der nationalen Sicherheitsbestimmungen, 2) Überschreiten der Strombelastbarkeit des Netzkabels, was zu einer Überhitzung und in der Folge zu Verletzungen und Sachschäden führen kann, 3) Stromschlaggefahr durch Kabelbruch und Freilegen der Adern. Für den Fall, dass ein nicht von HP zugelassenes Netzkabel verwendet wird, übernimmt HP keinerlei Haftung.



AVVERTENZA: Il presente prodotto può essere utilizzato esclusivamente con un cavo di alimentazione approvato da HP specifico per la regione geografica dell'utente. L'utilizzo di un cavo di alimentazione non approvato da HP potrebbe comportare: 1) la non conformità alle normative locali in materia di antinfortunistica; 2) l'insufficienza della capacità di amperaggio del conduttore con conseguente surriscaldamento e potenziali lesioni personali e/o danni alla proprietà; 3) la rottura del prodotto con conseguente esposizione dei contatti interni e potenziali lesioni da scosse. HP rifiuta ogni responsabilità in caso di utilizzo di un cavo di alimentazione non approvato da HP.



警告：本製品を使用する場合は、ご使用の地域で定められた HP 認定の電源コードを使用してください。HP が認定していない電源コードを使うと、以下の状態となる可能性があります。1) ご使用の地域の安全な取り扱いに関する規定を満たさない。2) 導体の電流容量が不十分だと、オーバーヒートし、けがや装置の損傷につながる。3) 破損の結果内部の接続個所がむき出しとなり、ユーザーが感電する危険がある。
HP 非認定電源コード使用時の問題に関して、HP は一切の責任を負いかねます。



WAARSCHUWING: Dit product mag ALLEEN worden gebruikt met een netsnoer dat door HP is goedgekeurd voor gebruik in uw regio. Als u een netsnoer gebruikt dat niet door HP is goedgekeurd, kan dit ertoe leiden dat: 1) u niet voldoet aan de specifieke veiligheidsvoorschriften van uw land, 2) de aderdikte te klein is, waardoor oververhitting kan optreden met lichamelijk letsel en/of beschadiging van de apparatuur tot gevolg, en 3) het netsnoer breekt, waardoor de interne contacten bloot komen te liggen met het risico van letsel door elektrische schok. HP wijst alle aansprakelijkheid af als u een netsnoer gebruikt dat niet door HP is goedgekeurd.



ADVERTENCIA: este producto sólo puede utilizarse con un cable de alimentación aprobado por HP para su región geográfica específica. El uso de un cable de alimentación no aprobado por HP puede provocar lo siguiente: 1) el incumplimiento de requisitos de seguridad específicos del país; 2) insuficiente corriente permanente admisible de conductor que puede provocar un sobrecalentamiento y posibles lesiones personales o daños a la propiedad; y 3) una rotura que deje expuestos los contactos internos, lo que supone un peligro potencial de descarga eléctrica para el usuario. HP renuncia a toda responsabilidad en caso de utilizarse un cable de alimentación no aprobado por HP.



WARNING: Avoid contact with the power supplies, EMI filter, and all other AC electrical components while the cabinet is connected to a power outlet.



AVERTISSEMENT : évitez tout contact avec les blocs d'alimentation, le filtre EMI et tous les autres composants électriques CA pendant que l'armoire est connectée à une prise de courant.



VORSICHT: Wenn der Schrank an das Stromnetz angeschlossen ist, dürfen keinesfalls Netzteile, EMI-Filter oder andere elektrische Komponenten berührt werden.



AVVERTENZA: Evitare il contatto con alimentatori, filtri EMI e qualsiasi altro componente elettrico AC quando il cabinet è collegato a una presa di corrente.



警告: キャビネットが電源コンセントに接続している間は、電源、EMI フィルタ、およびその他すべての AC 電源装置に触らないようにしてください。



WAARSCHUWING: Raak de voedingseenheden, het EMI-filter en de andere elektrische onderdelen niet aan als kast is aangesloten op een stopcontact.



ADVERTENCIA: Evite el contacto con fuentes de alimentación, filtros EMI y otros componentes eléctricos de CA mientras el receptáculo esté conectado a la toma de corriente.

- Use an antistatic wrist strap when touching internal cabinet components. To use the wrist strap properly, place the band around your wrist and attach the clip to the cabinet frame. Keep the strap on until you are ready to close the cabinet doors.
- Keep static-sensitive parts in their shipping containers until ready for installation.
- Do not place static-sensitive parts on any metal surface. If you need to put down a static-sensitive part, place it inside its protective shipping bag or on a grounded antistatic mat.
- Avoid direct contact with static-sensitive parts. Avoid touching connectors and discrete components.
- Close cabinet door and access panel when not working on the cabinet.
- Be careful when installing the cabinet or handling components in dry climates or environments where cold weather heating is used. Environments such as these with lower relative humidity have greater potential to produce static electricity.

Note: In environments with high potential for static electricity, take additional precautions, such as the use of an antistatic smock or a grounded antistatic mat.

Preparing tape cartridges



Caution: Handle tape cartridges with care. Do not drop or mishandle them, or place them near sources of electromagnetic interference. Rough handling can damage the cartridge, making it unusable and potentially hazardous to the tape drives.

Labeling tape cartridges



Caution: The misuse and misunderstanding of bar code technology can result in backup and restore failures. To ensure that your bar codes meet HP's quality standards, always purchase them from an approved supplier and never print bar code labels yourself. For more information, refer to the order form provided with the library, as well as the *Bar Code Label Requirements, Compatibility and Usage* white paper available from <http://www.hp.com/support>.

Note: For information on ordering tape cartridges and bar code labels, refer to the ordering sheet that shipped with your library.

Attaching a bar code label to each tape cartridge enables the library and application software to identify the cartridge quickly, thereby speeding up inventory time. Make it a practice to use bar code labels on your tape cartridges. Your host software may need to keep track of the following information and the associated bar code:

- Date of format or initialization
- Tape's media pool
- Data residing on the tape
- Age of the backup
- Errors encountered while using the tape (to determine if the tape is faulty)

Ultrium bar code labels

Ultrium cartridges have a recessed area located on the face of the cartridge next to the write-protect switch. Use this area for attaching the adhesive-backed bar code label (see [Figure 17](#)). Do not apply labels onto the cartridge except in this designated area.



Caution: The bar code label should be applied as shown in [Figure 20](#), page 53, with the alphanumeric portion facing the hub side of the cartridge. Never apply multiple labels onto a cartridge, because extra labels can cause the cartridge to jam inside a tape drive.

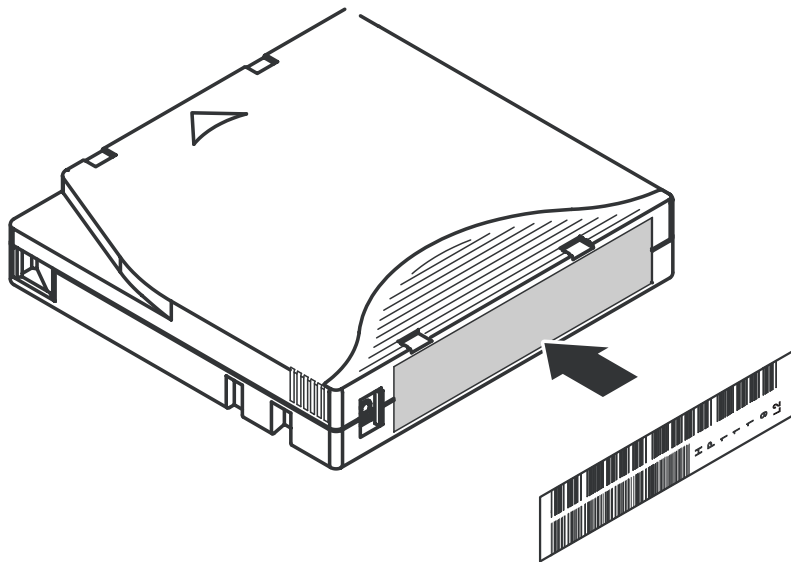


Figure 17: Attaching an Ultrium bar code label

For successful operation of your tape library, place the bar code label *entirely* within the recessed area, ensuring that no part of the label is outside of it (see [Figure 18](#)).

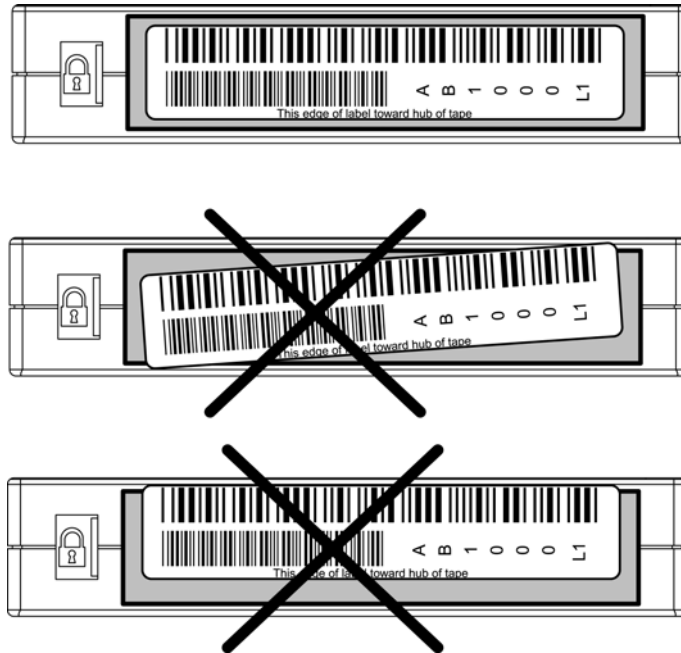


Figure 18: Proper Ultrium bar code label placement

SDLT bar code labels

SDLT cartridges have a front slide slot located on the face of the cartridge next to the write-protect switch (see [Figure 19](#)). Inserting the bar code label by sliding it into the slot.



Caution: Do not apply labels to the top, bottom, sides, or back of the cartridge as this may cause damage to the tape drive, or interfere with reliable operation.

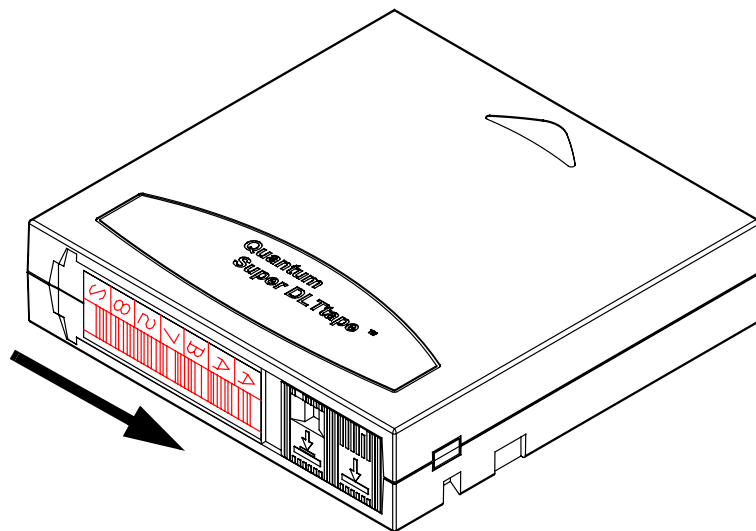


Figure 19: Inserting an SDLT bar code label

Media label identifiers

Be sure to use the proper bar code labels for your drive technology. Table 5 lists the identifier that is found at the end of 7- or 8-character SDLT and Ultrium bar code labels.



Caution: To ensure that your bar codes meet HP's quality standards, always purchase them from an approved supplier and never print bar code labels yourself. For more information, refer to the order form provided with the library, as well as the *Bar Code Label Requirements, Compatibility and Usage* white paper available from <http://www.hp.com/support>.

Table 5: Media label identifiers

Cartridge Type	Density	Label Identifier
SDLT	110/220 GB	S or S1
SDLT	160/320 GB	S or S2
Ultrium 230	100/200 GB	L1
Ultrium 460	200/400GB	L2

Setting the write-protect switch

Each tape cartridge has a sliding write-protect switch. This switch determines whether new data can be written to the tape cartridge (write-enabled) or whether data on the tape cartridge is protected from being erased or overwritten (write-protected).

Write-protecting Ultrium tape cartridges

By moving the switch to the left (Figure 20), the tape cartridge is write-enabled. By moving the switch to the right, the tape cartridge is write-protected.

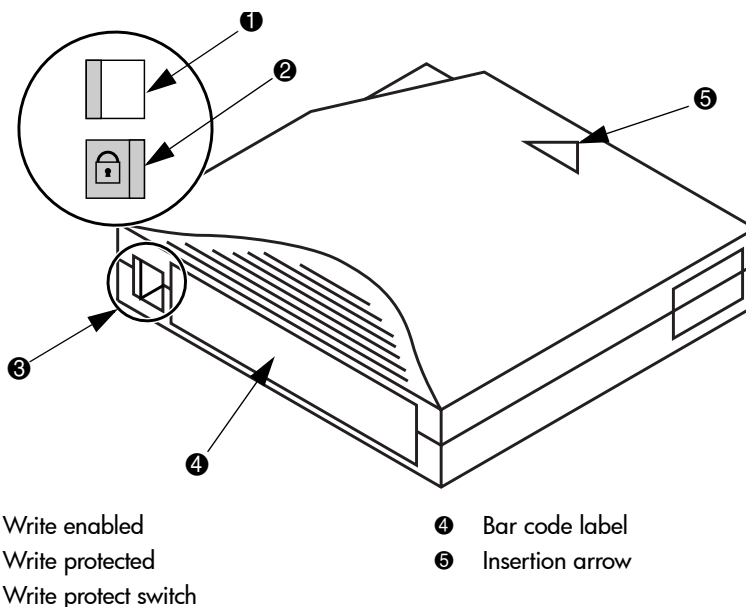


Figure 20: Write-protecting Ultrium tape cartridges

Write-protecting SDLT tape cartridges

By moving the switch to the left (Figure 21), the tape cartridge is write-protected (orange indicator is visible). By moving the switch to the right, the tape cartridge is write-enabled (orange indicator is not visible).

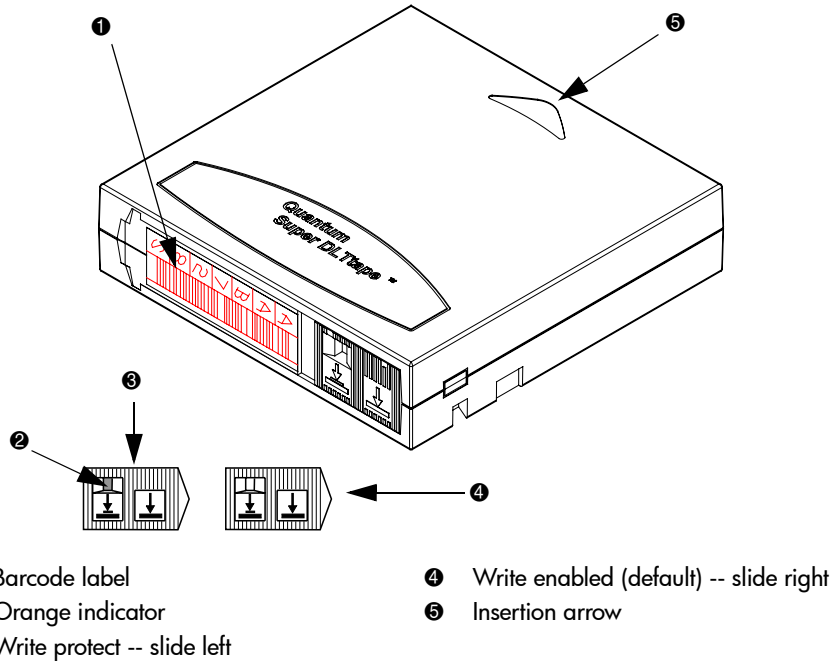


Figure 21: Write-protecting SDLT tape cartridges

Inserting tape cartridges

Load tape cartridges into the library starting with the left side panels, then the right side panels, and finally the back panel (see “[Library storage locations and slot numbering](#)” on page 35 for detailed installation procedures). Be sure all cartridges are properly positioned with the barcode facing you and fully seated in the bins.



Caution: Handle tape cartridges with care. Do not drop or bang them, or place them near sources of electromagnetic interference. Rough handling can displace the tape leader, making the cartridge unusable and potentially hazardous to the tape drives.

Closing the cabinet doors and access panels

The library has one front door and one back door.

1. Close and lock the front door using the key provided in the accessory kit (see [Figure 22](#)).

Note: The laptop tray must be lowered to access the front door latch.

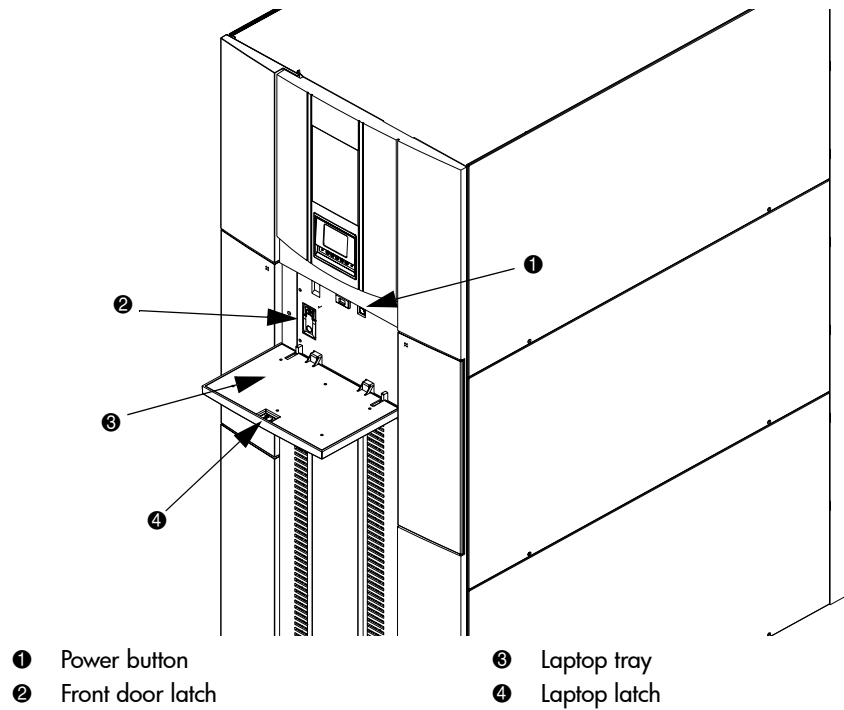


Figure 22: Closing the front door

2. Close and lock the back door using the key provided in the accessory kit (see [Figure 23](#)).

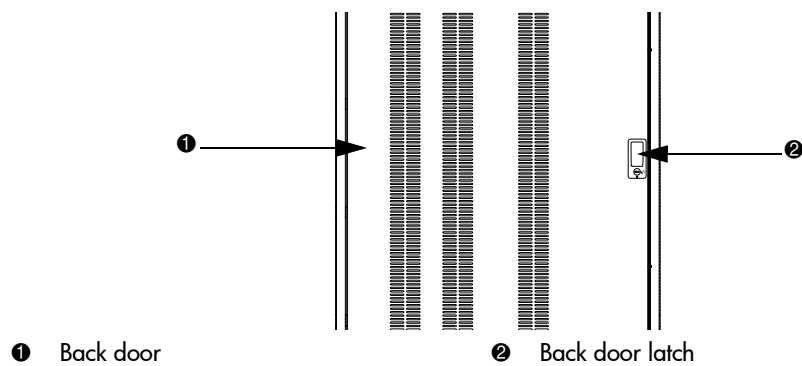


Figure 23: Closing the back door

Powering the library on and off

This section explains:

- [Powering on the library](#), page 58
- [Placing the library on-line or off-line](#), page 58
- [Powering off the library](#), page 59

Powering on the library

To power on the library:

1. Open the back door of the library cabinet and flip the breaker switches to the on position (right).

The breaker switches are on the power distribution unit located on the bottom right side of the library cabinet.

2. Verify that power cables are firmly in place.
3. Close all library doors.
4. Power on the power switch located behind the laptop tray (see [Figure 22](#), page 56).

Note: The library requires several minutes to power on. Nothing displays on the OCP for the first few minutes of this process.

Placing the library on-line or off-line

To place the library on- or off-line:

1. With the library powered on, press the **Ops** button on the OCP to access the **Operations** screen.
2. Select **Cabinet** and use the up and down arrows to take the library off-line.

For more information on the **Operations** screen, see “[Operations screen](#)” on page 69.

Powering off the library

To power off the library:

1. Place the library off-line, see “[Placing the library on-line or off-line](#)” on page 58.
The library robotics completes any current commands and then stops.
2. Verify that the OCP display indicates “Off-line” from the **Operations** screen.
3. Verify that the media picker is empty.
4. Verify that no backups are in process.
5. Turn off the power switch located on the front of the library (see [Figure 22](#) on page 56).
6. Wait for the library to complete the shutdown process. (This usually takes 30 seconds, but may take up to two minutes.)
7. Open the back door of the library cabinet and flip the breaker switches to the off position (left). The breaker switches are on the power distribution unit located on the bottom left side of the library cabinet.

Note: When powering off the library, ensure that the two breaker switches on the power distribution unit are in the off (left) position.

Using the OCP

The OCP is located on the front of the library. The menus on the OCP allow you to obtain information about the library, execute library commands, and test library functions. Before using the OCP to perform library functions, familiarize yourself with the:

- [Home screen](#), page 60
- [OCP buttons](#), page 60

Home screen

The first screen the OCP displays after library initialization is the home screen. This screen displays library status and provides information on the IP address, number of bins, tape drives, ports, and date (see [Figure 24](#)).

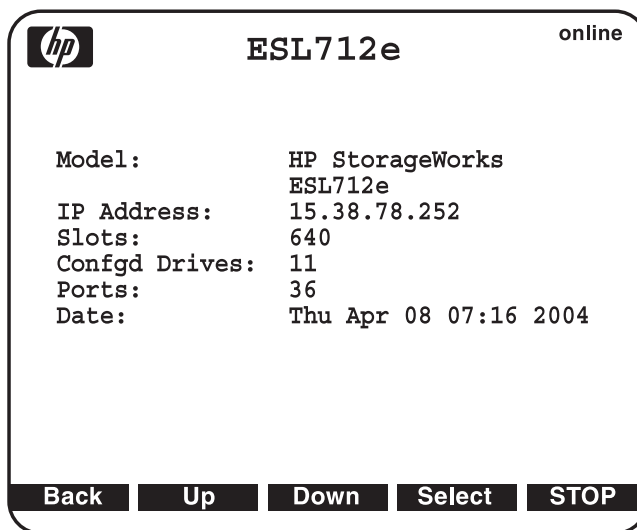


Figure 24: Home screen

OCP buttons

At the bottom of each OCP screen are up to five button labels. These labels indicate the functions of the five push buttons below the OCP. To select a function, press the push button directly below the button label on the OCP screen.

OCP components

The OCP allows you to perform various functions on the library. [Table 6](#) provides a list of the OCP functionality available from the **Home** screen (see [Figure 24](#)).

Table 6: OCP components

Home Screen	Menu Screen	Ports Screen	Ops Screen	Diags Screen
Status display: <ul style="list-style-type: none"> ■ Library Name ■ IP Address ■ Slots ■ Drives ■ Ports ■ Date 	Menu items: <ul style="list-style-type: none"> ■ Library ■ Cabinet ■ Setup 	Load ports: <ul style="list-style-type: none"> ■ Open Left Load Port ■ Open Right Load Port ■ Open Both Load Ports 	Operations: <ul style="list-style-type: none"> ■ Cabinet <ul style="list-style-type: none"> — On-line — Off-line — Inventory — Reboot ■ Drives All <ul style="list-style-type: none"> — Reset — Unthread — On — Off ■ Drives On/Off <ul style="list-style-type: none"> — Details — Reset — Unthread — On — Off 	Diagnostics: <ul style="list-style-type: none"> ■ Robotics Self Test ■ Robotics to Home Position ■ Calibrate Cabinet ■ Sequential Slot Test ■ Sequential Drive Test ■ Random Test ■ Random Slot Test ■ Random Slot to Drive Test

Note: The **Stop** button located in the bottom right-hand portion of the OCP is available from every OCP screen. This button stops the cabinet robot from moving and takes the cabinet offline. To start the robotics and return the cabinet to the online state, press the **Start** button.

The following sections provide information on each function available from the library OCP:

- [Menu screen](#), page 62
- [Load Ports screen](#), page 67
- [Operations screen](#), page 69

- [Diagnostics screen](#), page 70
- [Stop button](#), page 72

Menu screen

The **Menu** screen provides access to contact and cabinet information, as well as providing a way to setup library information.

To access the **Menu** screen, press **Menu** from the **Home** screen. The OCP displays the **Menu** screen (see [Figure 25](#)):

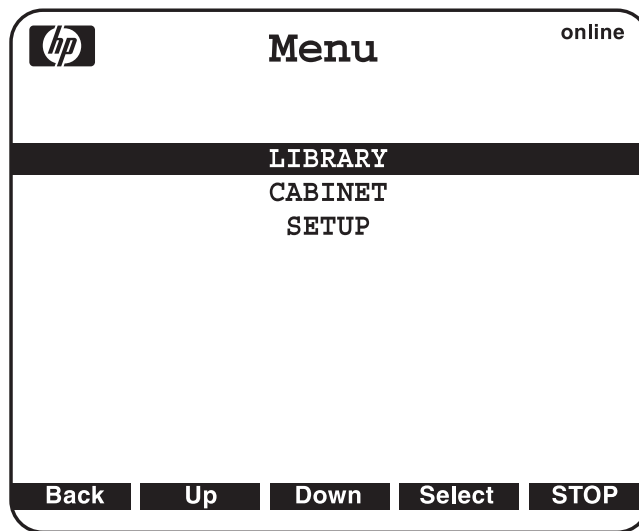


Figure 25: Menu screen

The **Menu** screen provides the following choices:

- [Viewing library information](#), page 63
- [Viewing cabinet information](#), page 64
- [Viewing and editing setup information](#), page 65

Viewing library information

To view library information:

1. From the **Menu** screen, use the up and down arrows to highlight **Library**, then press **Select**.

The **Library** screen displays (see [Figure 26](#)).

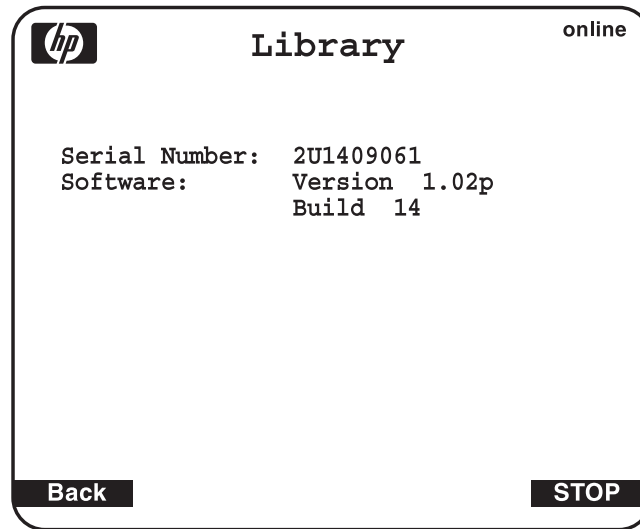


Figure 26: Library screen

The **Library** screen displays the following information about the library:

- Software - software version currently loaded on the library
 - Serial number - serial number of the library
2. When you are finished viewing library information, press **Back** to return to the **Menu** screen.

Viewing cabinet information

To view library cabinet information:

1. From the **Menu** screen, use the up and down arrows to highlight **Cabinet**, then press **Select** to display the **Cabinet** screen (see [Figure 27](#)):

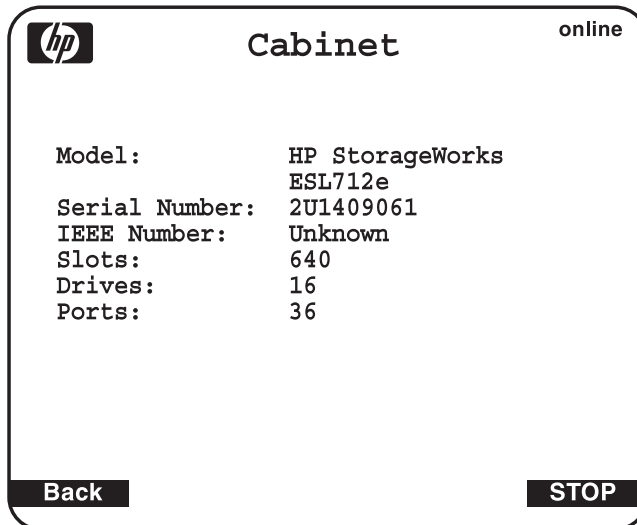


Figure 27: Cabinet screen

The **Cabinet** screen displays the following information about the library cabinet:

- Cabinet - name of the cabinet
 - Model - model number of the cabinet
 - Serial Number - serial number of the cabinet
 - IEEE ID - internal network identification of the cabinet that includes the date of manufacture, product type, and serial number
 - Slots - number of slots configured in the cabinet
 - Drives - number of drives configured in the cabinet
 - Load Ports - number of load port slots configured in the cabinet
2. When you are finished viewing cabinet information, press **Back** to return to the **Menu** screen.

Viewing and editing setup information

To view or edit the setup information:

1. From the **Menu** screen, use the up and down arrows to highlight **Setup**, then press **Select**.
2. The library prompts you for your password. Enter the 6-digit password and wait for validation. The response may not be immediate.

Note: The default password is 001122.

The **Setup** screen displays (see [Figure 28](#)).

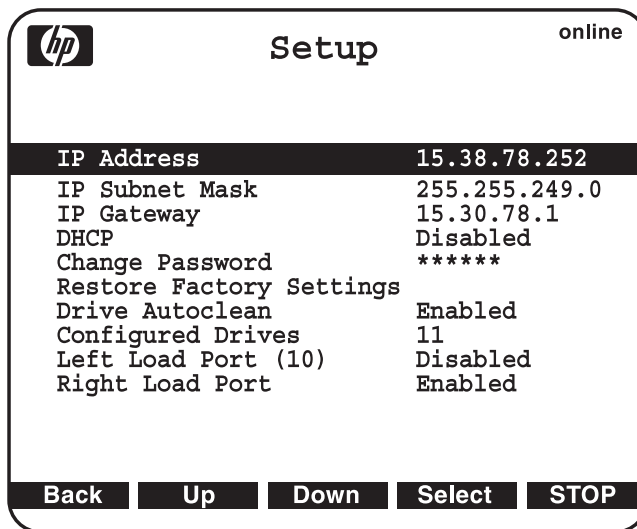


Figure 28: Setup screen

The **Setup** screen displays the following information:

- IP Address
- IP Subnet Mask
- IP Gateway
- DHCP
- Change Password

- Restore Factory Setting
 - Drive Autoclean
 - Configured Drives
 - Left Load Port (18)
 - Right Load Port (36)
3. To edit the setup information, use the up and down arrows to highlight the section and press **Select**.
- To set the IP address, subnet mask, and gateway, use the up and down arrows to select the appropriate number and press **Select** to accept.
 - To enable/disable DHCP, use the up and down arrows to toggle between enable/disable. Press **Select** to accept the setting. If your library is not connected to a network that uses a DHCP server to assign IP information, disable this function.
 - To change the password, use the up and down arrows to select Change Password and press **Select**. To change the password, enter a 6-digit password using the numbers provided on the OCP. Press **Select** to accept the new password. When prompted, re-enter the password to confirm.
 - To enable autoclean, use the up and down arrows to select Autoclean and press **Select**. The default is disabled.
 - To configure the number of tape drives in the cabinet, use the up and down arrows to select the number of drives and press **Select**.



Caution: If you have a partially filled drive cluster, change the number of tape drives to reflect the number of installed drives. For example, a cluster with two drives will show as four drives total with two being inactive. Use the **Setup** menu to change **Configured Drives** to **2** instead of **24**, which is the default. This helps avoid potential issues with your application software.

- To enable the left load port, use the up and down arrows to select **Left Load Port (18)** for Ultrium libraries or **Left Load Port (16)** for SDLT libraries, then press **Select**. The default is disabled.
- To enable the right load port, use the up and down arrows to select **Right Load Port (36)** for Ultrium libraries and **Right Load Port (32)** for SDLT libraries, then press **Select**. The default is disabled.

- When you are finished viewing/editing the setup information, press **Back** to return to the **Menu** screen.

Note: Setting the IP address requires one additional step. After pressing **Select**, power down from the **Menu** screen.

Load Ports screen

The **Load Ports** screen allows you to lock or unlock a load port.

To access the **Load Ports** screen, press **Ports** from the **Home** screen. The OCP displays the **Load Ports** screen (see [Figure 29](#)).

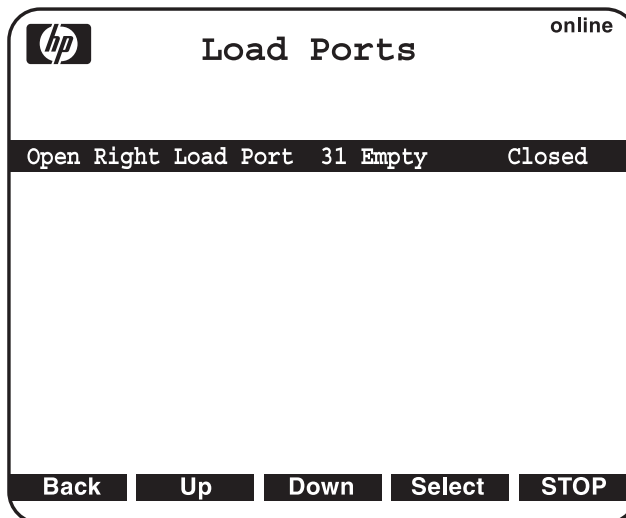


Figure 29: Load Ports screen

- To open a load port, open the appropriate load port door (left or right).



Caution: When the load port opens, be careful not to damage or remove the foam on the top of the left load port's bin. The library will not operate properly without it.

2. Use the up and down arrows to highlight the specific load port, then press **Select**.
A warning message appears.
3. Open the load port door and press **OK**. The load port moves forward.
4. Pull the load port towards you to access the storage bins.
5. When you are done, push the load port back into the cabinet until you hear it click into place.
6. Close the load port door.
An unload message appears.
7. Select **Yes** to move the tape from the load port to the first available slot once a full inventory has been completed. Select **No** to return to the **Load Ports** menu.
8. When you are finished viewing the load port status, press **Back** to return to the **Menu** screen.

Note: When a load port is opened and closed, the load port is inventoried.

Operations screen

The **Operations** screen allows you to view the status and issue commands to the cabinet and tape drives.

To access the **Operations** screen, press **Ops** from the **Home** screen. The **Operations** screen is displayed (see [Figure 30](#)).

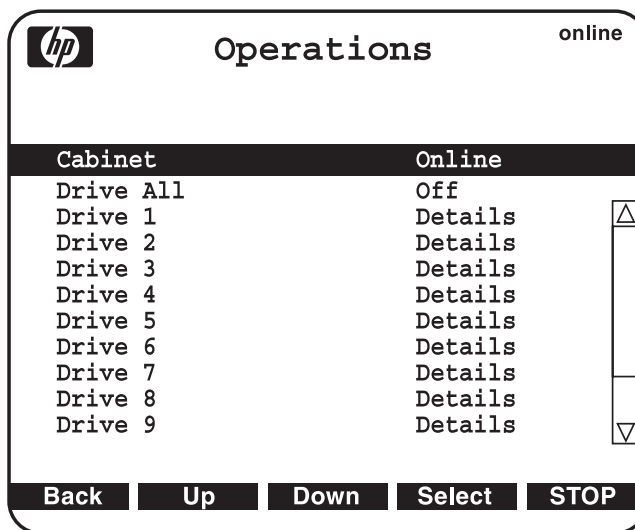


Figure 30: Operations screen

Diagnostics screen

The **Diagnostics** screen allows you to perform the following diagnostic tests on the library (see [Table 7](#)).

Note: The library must be off-line to run diagnostic testing.

Table 7: Diagnostic tests

Test	Description
Robotics Self Test	Checks for unrestricted motion of the library robotics.
Robotics to Home Position	Calibrates the library robotics and sets it to the bottom of the library with the optical sensor facing the back.
Calibrate Cabinet	Checks the position of all panels and columns, checks that the picker is aligned with the slots.
Sequential Slot Test	Performs an inventory of the library, then checks each slot in the library, sequentially, to determine whether there is free movement of the tapes in and out of the slots.
Sequential Drive Test	Performs an inventory of the library, then checks drives in the library, sequentially, to determine whether it is communicating properly with the drives.
Random Test	Performs an inventory of the library, then randomly selects and runs one of the tests.
Random Slot Test	Performs an inventory of the library, then checks a sampling of slots in the library, in random order, to determine whether there is free movement of the tapes in and out of the slots.
Random Slot to Drive Test	Performs an inventory of the library, then checks a sampling of drives in the library, in random order, to determine whether it is communicating properly with the drives and whether there is free movement of the tapes into and out of the slots.

The Sequential Slot Test, Sequential Drive Test, Random Test, Random Slot Test, and Random Slot to Drive Test can be run from 1-500 times, or continuously until the test is manually ended. For each drive or slot test, running it once will check one drive or slot, whereas running it 100 times will check 100 drives or slots. If tests are run more times than there are drives or slots, the library will test drives or slots multiple times until it has performed the requested number of tests.

For example, if a library has 25 full slots and a sequential slot test is set to run 50 times, the library will test slots 1-25, then begin at 1 again and test through 25. If you set the same library to run the sequential slot test 60 times, it will test 1-25, 1-25, then 1-10.

To access the **Diagnostics** screen, press **Diags** from the **Home** screen. The OCP displays the **Diagnostics** screen (see [Figure 31](#)).

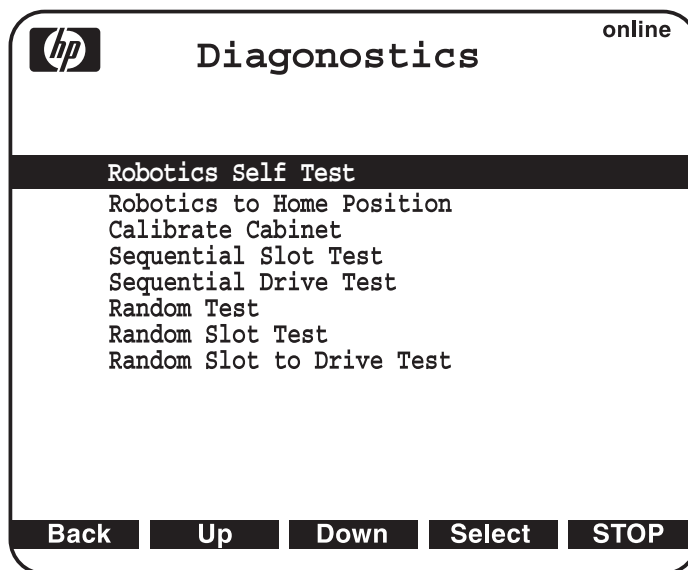


Figure 31: Diagnostics screen

To perform a diagnostic test:

1. Take the library off-line.
 - a. Press the **OPS** button on the OCP to access the **Operations** screen.
 - b. Select **Cabinet**.
 - c. Use the up and down arrows to take the library off-line.
2. Use the up and down arrows to select the diagnostic test to perform and press **Select**.

3. If you did not take the library off-line, the OCP displays a notification (see [Figure 32](#)).

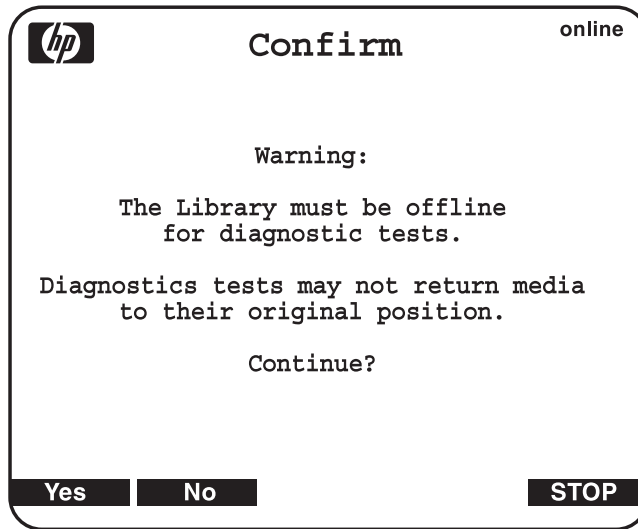


Figure 32: Diagnostics confirmation remaining offline

4. Select NO to take the library off-line, then run the test.
The diagnostic test executes and the OCP displays a status screen indicating the test progress. When the test completes, the test result is shown next to the completed test.
5. When you are finished performing diagnostic tests, press **Back** to return to the **Menu** screen.

Stop button

The **Stop** button located in the bottom right portion of the OCP is available from every OCP screen. This button stops the cabinet robot from moving. To start the robotics, press the **Start** button.

Inserting tape cartridges into the load port

Tape cartridges are inserted into either an 18-cartridge magazine for Ultrium, or a 16-cartridge magazine for SDLT as shown in [Figure 6](#) on page 27.

To insert a tape cartridge into a magazine:

1. Prepare the tape cartridges to be inserted by affixing a bar code label and write-protecting or write-enabling each cartridge as desired.

For more information about these procedures, refer to “[Inserting tape cartridges](#)” on page 55.

2. With the load port door open, place the tape cartridges in any available load magazine slot.

The proper orientation for tape cartridge insertion is shown in “[Ultrium 460 tape cartridges](#)” on page 23 and “[SDLT 320 tape cartridges](#)” on page 25.

3. Manually close the load port door by pushing the load port assembly into the cabinet. You will hear a click when it locks into position.

Maintenance and Troubleshooting

3

This chapter describes problems you may encounter during the setup and operation of the library. Corrective information is provided to help you resolve the problems:

- [Start-up problems](#), page 76
- [OCP problems](#), page 77
- [Robotics problems](#), page 78
- [Operating problems](#), page 80
- [Tape drive problems](#), page 82
- [Interface Manager card problems](#), page 83
- [FC interface controller problems](#), page 88
- [Maintaining tape cartridges](#), page 93
- [Cleaning tape drives](#), page 95

Note: Also see “[Sense data values \(Hexadecimal\)](#)” on page 130 for information on values appearing in library error codes and the error log.

Start-up problems

Table 8 describes corrective actions for problems which occur during start-up.

Table 8: Start-up problems

Problem	Corrective Action
The library does not power on.	Verify that: <ul style="list-style-type: none"> ■ The power cord is connected to a grounded electrical outlet. ■ The power distribution unit's two breaker switches are on (left rear corner of cabinet). ■ The power supply switches are on. ■ The power switch behind the service tray is on.
The library or tape drives are not detected by the Interface Manager or Command View ESL software.	<ul style="list-style-type: none"> ■ Verify cable connections and termination. ■ Verify the cabling. ■ Verify that the drives and library are powered on and ready. ■ Ensure that the interface controllers are powered on and ready.
During initialization, the library reports "not ready."	<ul style="list-style-type: none"> ■ Determine the failure type by checking any previous error codes returned to the host computer, or by getting a library support ticket. ■ Correct the cause of the error.
One or more tape drives fail to spin up during start-up.	<ul style="list-style-type: none"> ■ Verify cable connections and termination. ■ Make sure the OCP does not show the drive power as off. ■ Check that the power supplies are switched on for that level (clusters 0 - 5). ■ Check that the cluster controller is properly cabled and ready.

OCP problems

Table 9 describes corrective actions for OCP problems.

Table 9: OCP problems

Problem	Corrective Action
The OCP is blank.	<ul style="list-style-type: none"> ■ Confirm that power is on. ■ Use Command View ESL software or the Interface Manager's command line interface to check for errors on the OCP.
The OCP does not respond to buttons.	<ul style="list-style-type: none"> ■ Use Command View ESL software or the Interface Manager's command line interface to check for errors on the OCP. ■ Contact an authorized field service engineer.
An error message is displayed.	<ul style="list-style-type: none"> ■ Write down the details of the error message, including the SK, ASC, and ASCQ numeric values. Look up the code and try the suggested recovery procedures. ■ Press Ok to clear the message.

Robotics problems

Table 10 describes corrective actions for robotics problems.

Table 10: Robotics problems

Problem	Corrective Action
The robot does not move at power on.	<ul style="list-style-type: none"> ■ Make sure all internal packing materials (foam pads, tie wraps, and shipping restraints) have been removed. ■ Check the Stop button; make sure the library is on-line and not in the "stopped" mode.
The picker partially grips a tape cartridge.	<ul style="list-style-type: none"> ■ Issue a Move Cartridge command using your application software to move the cartridge from the picker to an empty storage bin. ■ If the problem continues, contact a field service engineer.
The barcode reader fails.	<ul style="list-style-type: none"> ■ Verify that nothing obstructs the reader. ■ Make sure that approved bar-code labels are being used and are correctly applied. ■ Then, restart the library. If the problem continues, contact your service provider.
The robot times out or hang.	<ul style="list-style-type: none"> ■ Verify that nothing obstructs the robot. ■ Recalibrate the library. ■ Retry the operation. If it still fails, contact a field service engineer.
The robot fails during an operation.	<ul style="list-style-type: none"> ■ Write down the details of the error message, including the SK, ASC, and ASCQ numeric values. Look up the code and try the suggested recovery procedures. ■ Press Ok to clear the message.

Table 10: Robotics problems (Continued)

Problem	Corrective Action
The robot drops a cartridge.	<ul style="list-style-type: none"> ■ Open the doors. Retrieve the cartridge, orient it properly, and place the cartridge in an empty storage bin. (Do not try to place the cartridge in the picker.) ■ Perform an inventory. <hr/> <p>Note: If the operator manually places a cartridge in an empty bin, he must then run an inventory so the library records the position of the manually-placed cartridge.</p> <hr/>
A cartridge is in the picker at start-up, when a move command is requested, or after a place command is executed.	<ul style="list-style-type: none"> ■ If possible, initiate a Move Cartridge command from the picker to a storage slot using your application software. ■ If the problem continues, contact a field service engineer.
The picker does not have a cartridge after completing a pick command.	<ul style="list-style-type: none"> ■ Make sure a cartridge can be found in the source location. ■ Perform an inventory. ■ Retry the command. If the pick operation fails again, contact a field service engineer.

Operating problems

Table 11 describes the corrective action for problems that occur during library operation.

Table 11: Problems during library operation

Problem	Corrective Action
The host computer cannot communicate with the library.	<ul style="list-style-type: none"> ■ Verify that the host computer has been added to the secure manager via the Command View ESL software, and has been given access to library components. ■ Verify cable connections and termination. ■ Verify that the FC port link LEDs show good status. ■ Restart the host and the library. ■ If the host and library still are not communicating, verify that there is not a zoning issue.
A tape cartridge (medium) is reported not present.	<ul style="list-style-type: none"> ■ This indicates that the picker could not sense a tape cartridge in a particular storage bin, even though the inventory reports that it is present. ■ Verify that the designated cartridge is present and properly seated. (For a tape drive, make sure the cartridge is completely unloaded.) Then, retry the command. ■ Perform an inventory. ■ If the error persists, contact a field service engineer.

Table 11: Problems during library operation (Continued)

Problem	Corrective Action
A move command failed.	<ul style="list-style-type: none"> ■ Check the source and destination. The source should hold the cartridge to be moved; the destination should be empty. ■ Make sure the picker is empty and that there are no obstructions. ■ Also, make sure the library is on-line and the Stop button is released. ■ Retry the command.
A flash memory error is reported.	Contact your service provider.
A maximum temperature exceeded warning is displayed.	<ul style="list-style-type: none"> ■ Turn off the library and allow it to cool down. Lower the room temperature, if possible, and increase ventilation around the library. ■ The air filters may need to be changed. ■ If the operating temperature is too high, the library automatically shuts down until the temperature drops.

Tape drive problems

Table 12 describes the corrective action for problems with the tape drives.

Table 12: Tape drive problems

Problem	Corrective Action
The library is unable to communicate with a drive.	This is indicated by a Drive Communication Time-out error. <ul style="list-style-type: none">■ Reseat the drive.■ Verify that the drive is set to On from the OCP.
The tape drive does not eject a cartridge.	<ul style="list-style-type: none">■ Attempt the operation from the application software.■ Open the front door, and press and hold the eject button on the drive in question.■ Reset the drive from the OCP then attempt unload.■ If unsuccessful, power off the library, disconnect the FC cables, power the library back on, open the front door, and press and hold the eject button on the drive in question.

Interface Manager card problems

Table 13 and Table 14 describe the status and network LEDs for the Interface Manager card.

Table 13: Status LED diagnostic codes

Red LED	Green LED	Description
On	Off	BIOS code failed to run.
Blinks 1x per 5 second interval	Off	Hardware POST failed. No firmware images are loaded.
Blinks 2x per 5 second interval	Off	No CompactFlash disk or valid boot sector image found. Be sure to transfer the memory module from the old card to the new card if the Interface Manager was replaced.
Blinks 3x per 5 second interval	Off	Specified firmware image files were not found. Neither the current nor the previous image was found.
Blinks 4x per 5 second interval	Off	Load or execute command failed (boot code remains at end of process). This indicates that load, decompress, or execution failed on both the current and previous image files.
Off	Blinks 1x per 5 second interval	Normal state. Load or execute command succeeded. Boot code successfully loaded, decompressed, and initiated execution of one of the image files.

Table 14: Network link activity/speed LEDs

LED	Status	Description
Link Activity LED (left side of each Ethernet port)	Off	Port disconnected / no link
	On	Port connected to another Ethernet device
	Flashing	Data is being transmitted / received
Link Speed LED (right side of each Ethernet port)	On	Port is operating at 100 Mbps
	Off	Port is operating at 10 Mbps, or port is not connected (see Link Activity LED)

Table 15 describes common symptoms relating to the Interface Manager card and how to resolve them.

Table 15: Common Interface Manager issues

Symptom	Possible Cause	Solution
Command View ESL server does not detect the Interface Manager card	Bad network connection	<ul style="list-style-type: none"> ■ Verify that the Interface Manager card and the management station are correctly connected to the LAN. ■ Use LEDs to troubleshoot Ethernet cabling. ■ Ping the Interface Manager to verify network health.
	Interface Manager card not powered on or in ready state	<ul style="list-style-type: none"> ■ Power on the library. Observe status and link LEDs. ■ Interface Manager must be at firmware 1120 or higher on an ESL E-series library. ■ Interface Manager must be at firmware 1130 or higher if connected to an e2400-FC 2G.
	Incorrect IP address	<p>Verify that the correct IP address of the Interface Manager card is entered in Command View ESL.</p> <ul style="list-style-type: none"> ■ See the <i>HP StorageWorks ESL E-Series Unpacking and Installation Guide</i> for information on obtaining the correct IP address using the OCP. ■ Configure Command View ESL with the correct IP address. See the <i>HP StorageWorks Interface Manager and Command View ESL User Guide</i> for information on adding a library or visit http://www.hp.com/support/cvesl.

Table 15: Common Interface Manager issues (Continued)

Symptom	Possible Cause	Solution
Interface Manager card does not detect one or more FC interface controllers	Bad network connection	<ul style="list-style-type: none"> ■ Verify that the Interface Manager card is properly connected to the FC interface controllers and that the cables are good. ■ Use LEDs to troubleshoot Ethernet cabling. ■ See the <i>HP StorageWorks ESL E-Series Unpacking and Installation Guide</i> for more information.
	Incorrect interface controller, or controller has less than minimum required firmware	<p>Make sure that the e2400-160 interface controller has lettering to the side of the ports. If lettering is above or below the ports, then the wrong controller type was installed. Contact your service provider.</p> <hr/> <p>Note: If you have the wrong controller type, it might still work if the firmware level is at least 5.3.06, the controller is set to DHCP, and its defaults are restored.</p> <hr/> <p>Update the firmware to 5.3.06 or higher and restore defaults on the interface controller (e2400-160 or e1200-160)</p>
	Defective Interface Manager card or FC interface controller	Observe status and link LEDs. Replace defective card or controller.

Table 15: Common Interface Manager issues (Continued)

Symptom	Possible Cause	Solution
Interface Manager card does not detect drives or library	SCSI cables not connected properly	Check cabling connections.
	SCSI settings or termination not set properly	<ul style="list-style-type: none">■ Check the SCSI settings for the device.■ Check that the SCSI bus is properly terminated and ensure the terminator LEDs indicate a normal state (green).
	Timing issues	Reset the corresponding FC interface controller.
	Drive not powered on or in ready state	<ul style="list-style-type: none">■ Make sure the drive isn't set to off.■ Troubleshoot the drive.

Table 15: Common Interface Manager issues (Continued)

Symptom	Possible Cause	Solution
Command View ESL does not run in the browser	Incompatible browser version or Java support not enabled	<ul style="list-style-type: none"> ■ Make sure you are using a minimum of Microsoft Internet Explorer v6.0 SP1 or later, or Netscape Navigator v6.2 or later. ■ Make sure that Java support is enabled in the browser.
	Java Runtime Environment (JRE) not installed	Download and install the Java 2 Platform, Standard Edition v1.42 or later from http://www.sun.com/software/download/technologies.html .
	Bad network connection or network down	<ul style="list-style-type: none"> ■ Check all physical network connections. If the connections are good, contact your network administrator. ■ Ping the management station. If pinging fails and the IP address is correct, contact your network administrator.
	Wrong IP address	Check the IP address of the management station. On the management station, open a command shell and enter ipconfig. You must use this IP address (or the network name of the management station) in the URL to access Command View ESL.
	Management station not running, or Command View ESL service not running on management station.	<ul style="list-style-type: none"> ■ Check to see if the management station is operational. ■ Use the Services applet to verify that the Command View ESL service is running on the management station. Click Start > Settings > Control Panel > Administrative Tools > Services.

FC interface controller problems

Most problems occur during the initial installation of the interface controller. Before proceeding with advanced troubleshooting techniques, verify all connections and review the configuration.

LED indicators

The LED indicators on the e2400-160 FC and e2400-FC 2G interface controllers are useful for diagnosing various problems:

- **SCSI bus LEDs (e2400-160 FC interface controller only)** — indicate SCSI activity. These indicators are lit during power on, configuration, and when the unit is transferring data. If the SCSI indicator stays continually lit without any corresponding FC LED activity, it may indicate a problem with the SCSI bus configuration. Verify the SCSI bus configuration.
- **FC port LEDs** — indicate FC activity (ACT) and link (LNK) status. If the link LED does not light it may indicate a problem with a FC link. Verify the FC port configuration and cabling.
- **Ethernet LEDs** — indicate activity and link status. If one of these indicators does not light or stays continuously lit, it may indicate a problem with the network connection or cabling. Verify the network connection. The port must be connected to a 10/100BaseT Ethernet network to function properly.

See [Figure 33](#) for LED locations and functions on the e2400-160 FC interface controller.

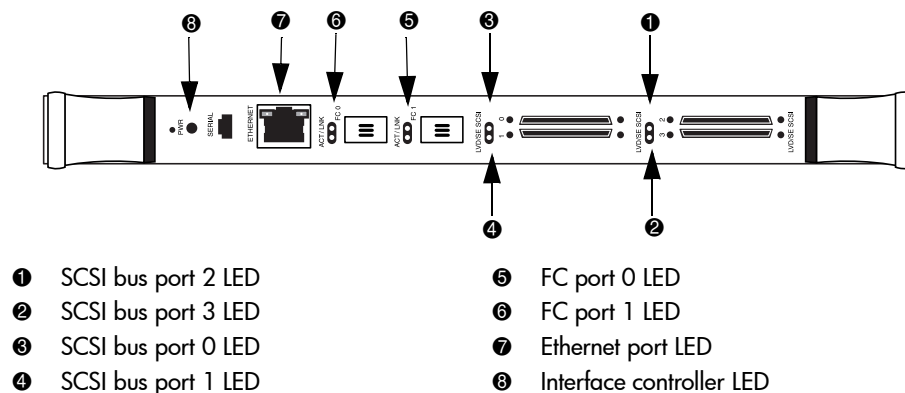


Figure 33: e2400-160 FC interface controller illustration

See [Figure 34](#) for LED locations and functions on the e2400-FC 2G interface controller.

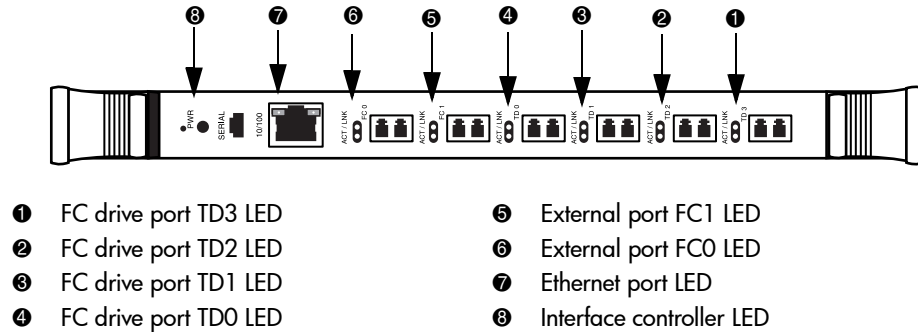


Figure 34: e2400-FC 2G interface controller illustration

Basic troubleshooting

Simplify the installation by reducing it to the most basic configuration. Then, add elements one at a time, verifying the operation after each step.

Basic troubleshooting includes verifying the setup and the connections, including:

- Verifying SCSI bus configuration
- Verifying FC port connection
- Verifying FC and SCSI devices in Windows NT
- Verifying the interface controller configuration
- Verifying devices
- Verifying host configuration
- Verifying HBA device driver information
- Verifying serial port configuration

Each of these topics is discussed in the following sections.

Verifying SCSI bus configuration

Items to check include:

- **Termination** — Problems with termination can cause intermittent or hard failures. A SCSI bus must be terminated on both ends. Termination problems are common when both narrow and wide devices are on the same bus.
- **Bus Type** — On an LVD SCSI bus, SE and LVD devices can be connected to the same bus. However, if one SE device is detected during power on, communication to all devices converts to SE mode.
- **Device ID** — Each device on a SCSI bus must have a unique ID. Verify configured IDs are not in use by other devices on the same SCSI bus.
- **Cabling** — Check SCSI cables to verify they are functional. SCSI rules for total length, distance between devices, and stub length must be followed. Connections should also be checked and reseated if necessary.
- **SCSI Devices** — Verify that the SCSI devices on a particular SCSI bus can be seen in the Configuration Menu of the FC interface controller. If the FC interface controller cannot see the devices, verify SCSI configuration, cabling, and termination.

Verifying FC port connection

If SCSI devices are recognized on the SCSI buses, but do not appear to the FC host, it may be that the FC link is not properly established. Most hubs and switches have link indicators showing link status. When the FC interface controller is connected and powered on, this link indicator should be solid. If it is not, check the cabling or connections.

One method of verifying link integrity when connected to a functional host, involves disconnecting and then reconnecting the FC cable. This procedure should cause momentary activity of this indicator as the link reinitializes.

Additionally, verify that the cable type of the FC interface controller and the attached hub, HBA, or switch is of corresponding types. When using optical media, verify that the attached device is using non-OFC type optical devices.

Note: By default, the FC port speed is set to 2 Gb/s. Changes to the FC port speed must be manually set, such as for 1 Gb/s. If set incorrectly and the FC interface controller is plugged into a Loop or Fabric, the unit may receive framing errors, which can be found in the trace logs, and the fiber link light will be off because of the incorrect FC link speed.

Verifying FC and SCSI devices in Windows NT

When mapping FC and SCSI devices, verify the FC and SCSI devices are recognized by the FC interface controller.

Windows NT may need to be rebooted with all SCSI devices and the FC interface controller powered on before recognizing the devices.

To verify the FC and SCSI devices:

1. Navigate to the Windows NT Control Panel, and select **SCSI Adapters**.
2. Double-click the FC HBA.

The SCSI devices should be listed.

If no devices are listed, verify the FC interface controller configuration, FC HBA configuration, and cabling.

If devices are listed, verify the FC HBA mapping mode or the AL_PA addresses.

Verifying the interface controller configuration

Verify the following:

- The FC interface controller speed is set correctly
- The connection type is set correctly
- The host is added to Secure Manager and given permission to communicate with the library.

Verifying devices

HP recommends using Command View ESL to verify that the devices are functional.

Verifying the host configuration

In some cases, the FC HBA or host device driver may not be working properly. Check the configuration of these elements.

It may be useful to check the release notes for the device driver to see if there are any specific issues or a required configuration. It may also be useful to ensure that the current version of the HBA driver is being used.

Older applications can have expectations about what constitutes a valid SCSI ID, and thus may not correctly handle certain mappings. This is not an issue for the operating system or most applications. However, some applications may exhibit difficulties addressing target IDs greater than 15 (16 and higher.) To resolve this situation in a direct attach configuration, configure the FC interface controller to use hard addressing and set the AL_PA to a value that the HBA will be able to map with an ID less than 16.

Verifying HBA device driver information

Review the HBA device driver *Readme.txt* file for configuration specifics. An HBA may require a different configuration. HBAs typically come with utility programs to view or change their configurations.

Verifying serial port configuration

If you are having problems connecting via the serial interface, verify the configuration of the terminal or terminal emulation program.

Table 16: Terminal configuration settings

BAUD Rate	Autobaud, 9600, 19200, 38400, 57600, 115200
Data Bits	8
Stop Bit	1
Parity	None
Flow Control	None or XON/XOFF

If problems persist, verify the cabling.

If a valid Ethernet IP address is configured, serial configuration settings can also be set via Telnet.

Maintaining tape cartridges

Note: In addition to the information provided in this manual, access the *HP StorageWorks SDLT Tape Drive Reference Guide*, and the *HP StorageWorks Ultrium Tape Drive User's Guide* from <http://www.hp.com/support> for more information.

For longer life of recorded or unrecorded tape cartridges:

- Do not carry cartridges loosely in a container that exposes them to unnecessary physical shock. Dropping or bumping cartridges may dislodge and damage internal components.
- Store tape cartridges vertically in their protective cases until needed. Store tape cartridges in a clean environment that duplicates the conditions of the room in which they will be used.
- Use tape cartridges in temperatures between 50°F to 104°F (10°C and 40°C).
- If a tape cartridge has been exposed to extreme heat or cold, stabilize the tape cartridge at room temperature for the same amount of time it was exposed for up to 24 hours.
- Keep cartridges out of direct sunlight and do not place tape cartridges near electromagnetic interference sources, such as terminals, motors, and video or X-ray equipment. Doing so may cause data on the tape cartridge to be altered or erased.
- Do not touch the tape medium or open the tape door unnecessarily. Dust and skin oils can contaminate the tape, impact performance, and cause damage.
- Store tape cartridges in a dust-free environment where the relative humidity is between 20 percent and 80 percent. For longer tape cartridge life, store the tape cartridge at 40 percent to 60 percent relative humidity.
- Use only HP qualified bar code labels. Apply them only in the designated areas of the tape cartridge, and do not apply more than one per cartridge.
- Follow guidelines provided by the tape cartridge manufacturer.

If a tape cartridge is dropped or damage is suspected, gently shake the tape cartridge:

- If it rattles, it is damaged. Restore the data on the tape cartridge if possible and discard the damaged tape cartridge.

- If it doesn't rattle, check the tape leader inside the cartridge. To do this, open the door on the rear of the tape cartridge by releasing the door lock. The tape leader should be visible at the top-left of the tape cartridge.



Caution: Do not touch the tape leader or the tape medium. Dust or skin oils can contaminate the tape, impact performance, and cause damage.

Cleaning tape drives

Use the guidelines in the following sections to clean your tape drives.

Cleaning SDLT tape drives

Be aware of the following:

- Under normal conditions, the cleaning cartridge is effective for about 20 cleanings.
- SDLT tape drives typically do not need regular cleaning, as their design allows for minimal head contamination.
- Use the cleaning tape only if the library indicates that the drive needs cleaning.
- Use the cleaning tape more than once if a tape has severely contaminated the drive heads. If the problem persists after two cleanings, and the cleaning tape has not expired, contact your authorized service provider.

Note: Do not use a DLT, DLT1, or VS cleaning tape (almond in color) in an SDLT drive. SDLT cleaning tapes are gray and use a 7- or 8-character bar code label, CLNxxxS or CLNxxxS1.

To clean the tape heads:

1. Move a cleaning cartridge into the drive using your application software. The tape drive automatically loads the cartridge and cleans the heads.
During the cleaning cycle the drive's green **Ready** LED flashes. At the end of the cleaning cycle, the drive ejects the cartridge.
2. Remove the cleaning cartridge from the drive.

Cleaning Ultrium tape drives

Be aware of the following:

- Ultrium tape drives have been developed to have a minimal cleaning requirement.
- An HP Ultrium Universal Cleaning Cartridge can be used up to 50 times. If you are using an older HP Ultrium cleaning cartridge, check the documentation that came with your media.



Caution: Only use HP Ultrium Universal Cleaning Cartridges in Ultrium 460 or 460-FC tape drives.

- If the cleaning cartridge is ejected immediately, then it has expired or is not an Ultrium cleaning cartridge. Discard it and use a new one.

To clean the tape heads:

1. Move a cleaning cartridge into the drive using your application software. The tape drive automatically loads the cartridge and cleans the heads. The cleaning cycle can take up to five minutes.
2. Move the cleaning cartridge back to the proper storage bin using your application software.

Library Characteristics



This appendix lists characteristics and specifications of the library. These characteristics and specifications are categorized as follows:

- [Physical specifications and requirements](#), page 98
- [Performance and reliability characteristics](#), page 99
- [Environmental specifications](#), page 100

Note: Tape drive and media specifications are described in [“Tape drives”](#) on page 22.

Physical specifications and requirements

Table 17 and Table 18 provide dimensions and other physical characteristics of the library unit.

Table 17: Physical characteristics

Library Dimensions and Weight	
Width	30 in. (76 cm)
Depth	48 in. (122 cm)
Footprint	30 x 48 in. (76 x 122 cm)
Height	75 in. (191 cm)
Weight	Fully loaded library: 1350 lbs. (612 kg) Drives: 13.5 lbs. (6.12 kg) each Cartridges: 7.7 oz. (2.18 kg) each
Tape Drives and Cartridges	
Tape Drives, Max. No.	Up to 24 tape drives
Cartridges, Max. No.	630 SDLT tapes/712 Ultrium tapes

Table 18: Interfaces

Host to Library Interfaces	
Software	SCSI-2 medium changer command set
Power Input	
Power cord	1 or 2 standard US C19 to NEMA L6-20P rated at 250 VAC and 16 amps
Host to Tape Drive Interface	
Software	SCSI-2

Note: For HP StorageWorks FC Interface Controller specifications, refer to the documentation that shipped with your controller.

Performance and reliability characteristics

Table 19 and Table 20 list performance and reliability characteristics of the library.

Table 19: Performance characteristics

Average Swap Time	18 to 20 seconds, consisting of two Move Medium commands
Inventory	Less than 3 minutes, fully loaded with labeled cartridges

Table 20: Reliability characteristics

MTBF	250,000 power-on hours
MSBF	1 million load/unload cycles
MTTR	Less than 30 minutes

Note: Tape drive and media specifications are described in “[Tape drives](#)” on page 22.

Environmental specifications

Table 21 provides various library environmental specifications.

Table 21: Environmental specifications

Power Environment		
Electrical inputs	Voltage	200 VAC to 240 VAC
	Rated Frequency	50/60 Hz
	Rated Current	8A
	Power consumption	VA max 1600W
	Electrical connection to power	IEC 320 C19 male connector inside back door
Climatic Environment		
Temperature (operating)	Dry Bulb	15°C to 32°C (59°F to 90°F)
	Wet bulb	25°C (77°F) maximum
	Thermal transition	11°C per hour
Temperature (shipping and storage)	Dry bulb	-40°C to 66°C (-40°F to 151°F)
	Wet bulb	46°C (115°F) maximum
	Thermal transition	30°C (54°F) per hour
Relative humidity	Operating	20% to 80%, non-condensing
	Shipping and storage	5% to 95%, non-condensing
Altitude	Operating	Sea Level to 10,000 ft. (3,048 m)
	Shipping and storage	Sea Level to 12,000 ft. (3,657 m)
Heat dissipation	Operating	5500 BTU/hr (1400 KCal/hr or 1600 watts)
Direct ESD	Contact discharge	@ 2.0, 4.0, 6.0, 8.0 kV to all external metal panels and doors
	Air discharge	@ 2.0, 4.0, 6.0, 8.0, 10.0, 12.0, 15.0 kV to the front GUI display
Indirect ESD	Contact discharge	@ 2.0, 4.0, 6.0, 8.0 kV to the VCP

Table 21: Environmental specifications (Continued)

Radiated fields per IEC-801-3	Unmodulated	27 MHz to 500 MHz @ 3 V/m
Fast transients (EFT or Burst) per IEC801-4	Data cables Power cables	@ 0.5kV @ 1.0kV
Sound power level	Operating Idle	7.6 Bel 7.8 Bel
Sound pressure @ operator	Operating	5.5db

Relocating the Library

B



Caution: HP strongly recommends that an HP authorized service representative relocate a library to another location.

This appendix explains how to relocate the library. As used in this appendix, the term *relocate* means either to ship the library or simply to move it to a nearby location (for example, from one area in a building to another).

The instructions in this appendix are divided into the following sections:

- [Checking the new installation site](#), page 104
- [Preparing the library for relocation](#), page 105
- [Crating the library](#), page 115
- [Preparing the library for operation](#), page 118

To ship the library or move it using a motor vehicle (for example, truck, or forklift), follow all of the instructions in this appendix.

To move the library to a new location within the same building or facility, follow all instructions in this appendix except for those found in “[Crating the library](#)” on page 115.

Note: These procedures require the original packing materials of the library. If you do not have the original packing materials, contact your support representative.



Caution: Moving or shipping the library without proper packing materials can result in damage to library components.

Checking the new installation site

Check the new installation site for the library using the guidelines found in the *HP StorageWorks ESL E-Series Pre-Installation Site Survey Instructions*. Make sure the new location meets all applicable clearance, environmental, and power requirements.

Preparing the library for relocation

To prepare the library for relocation:

- [Removing tape cartridges](#), page 105
- [Installing shipping restraints and packing](#), page 106
- [Disconnecting library cables](#), page 113



Caution: Always prepare the library for relocation before any move.

Removing tape cartridges

To remove tape cartridges:

1. Unload all tape cartridges from the tape drives using your application software.
2. Press **Stop** on the OCP to stop all library operation.

This places the library off-line after the completion of any currently executing operations.

3. Power the library off.
4. Unlock and open both front doors.
5. Remove all tape cartridges from the library bins.
6. Carefully pack all tapes for shipment.

Installing shipping restraints and packing

To install internal shipping restraints:

1. Remove the six panel shipping restraints (three sets on each side) from their storage location on the lower cabinet frame (see [Figure 35](#)).

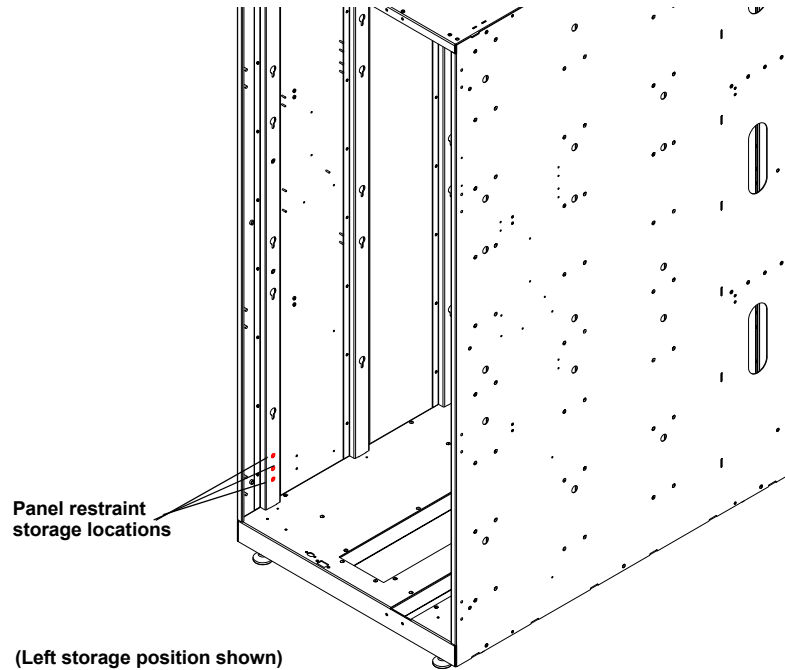


Figure 35: Retrieving the panel shipping restraints

3. Remove the robot shipping restraints from their storage location under the left cartridge bin panel (see [Figure 37](#)).

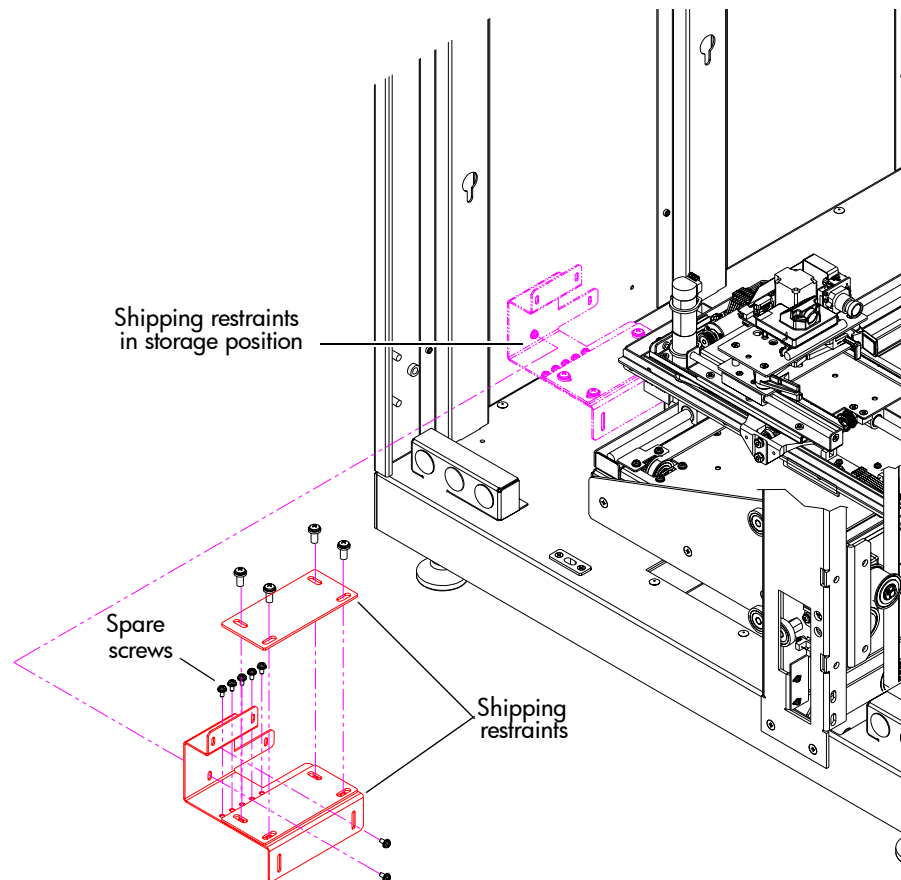


Figure 37: Shipping restraints - storage location

4. If the picker is not in the far right position, gently move it along the horizontal carriage until it is as far front as possible.

5. Install the robotic shipping restraints (see [Figure 38](#)).

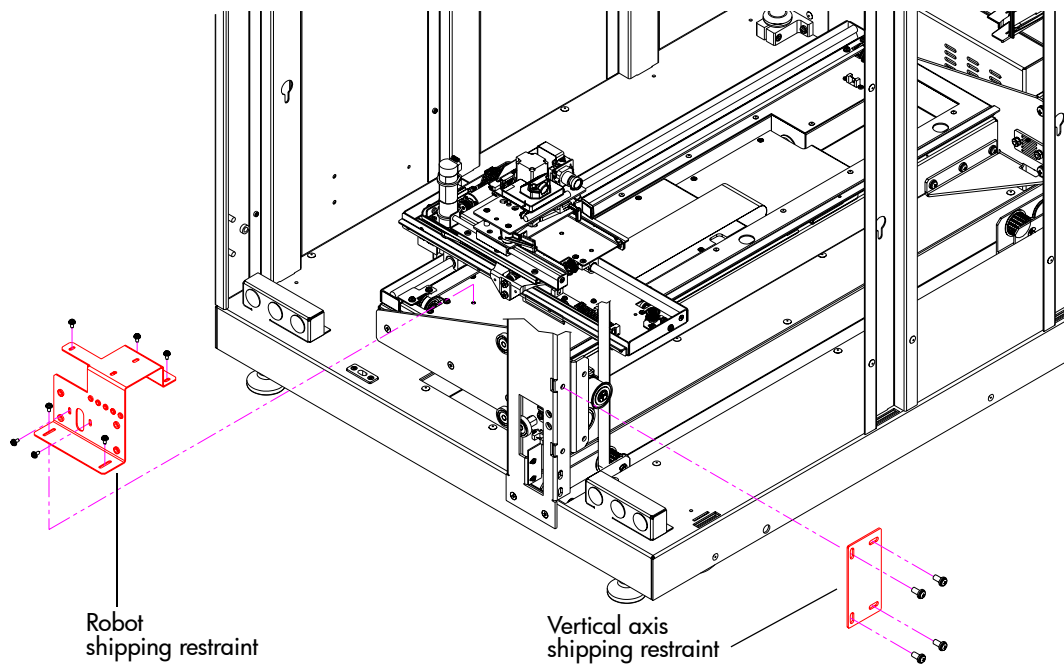


Figure 38: Installing the robotic shipping restraint

6. Install the counterweight (see [Figure 39](#)).

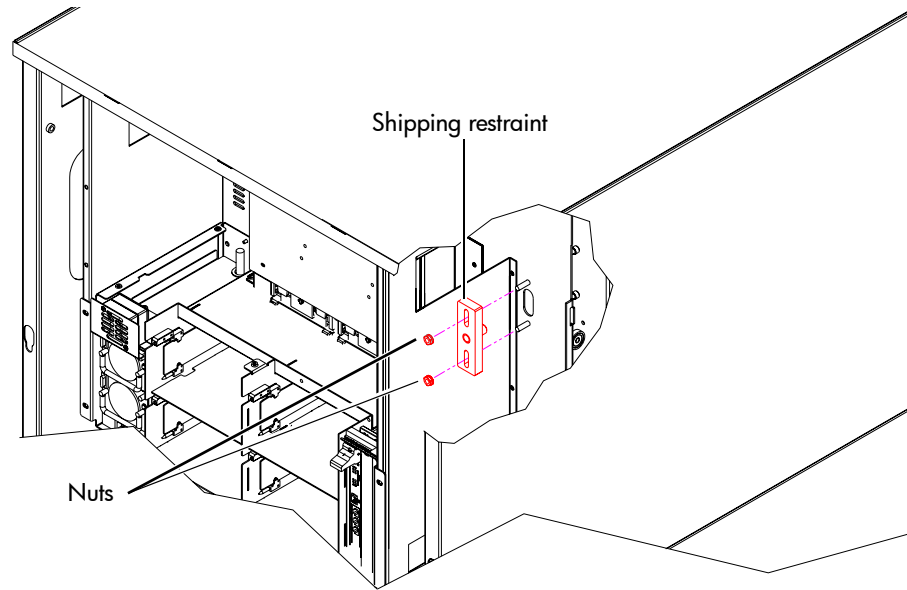


Figure 39: Installing the counterweight shipping restraint

7. Locate the two sheet metal pieces that form the internal library frame restraint and insert them as shown in [Figure 40](#).

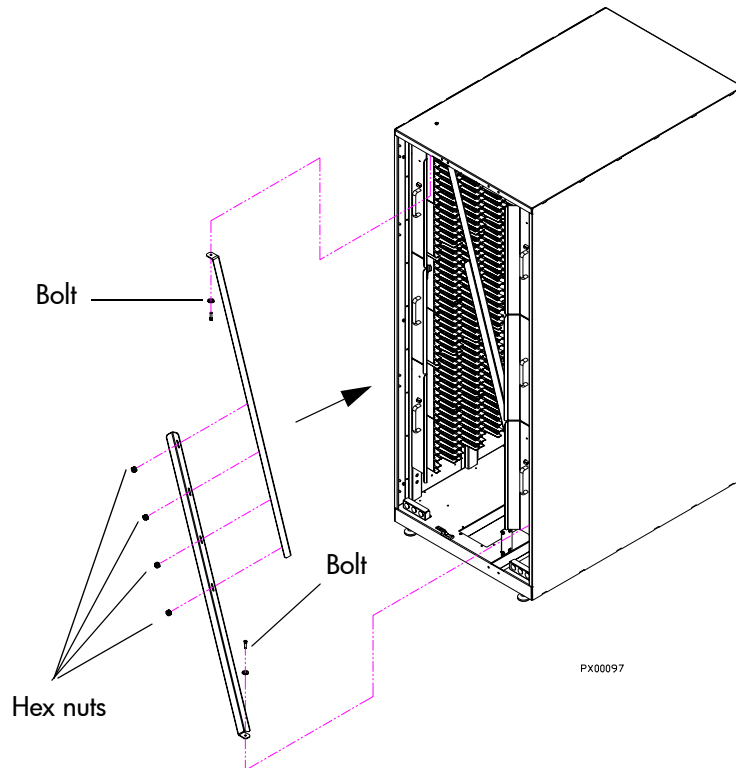


Figure 40: Installing the internal library frame restraint

8. Attach the two pieces together using four 1/4-inch hex nuts.
9. Secure the restraint to the frame with two 1/4-inch bolts, one at the top and one at the bottom of the library frame.

- From the front of the library, add the foam to the Y-axis cover plate, to the left front door, and also to the back door frame (see [Figure 41](#)).

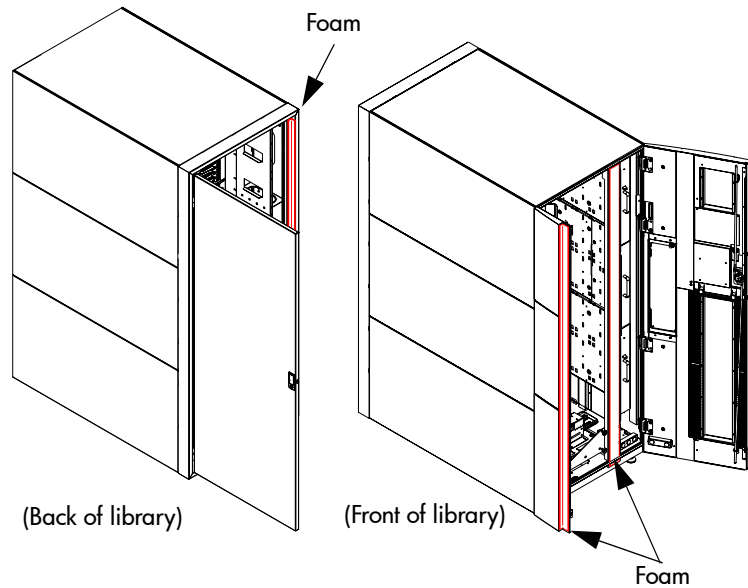


Figure 41: Adding the shipping foam inside the library

11. Close the library doors and add shipping foam to the bottom of the library perimeter (see [Figure 42](#)).

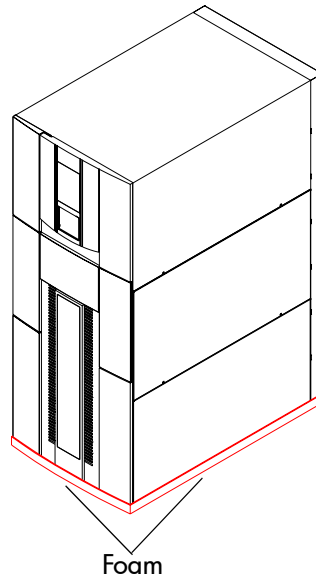


Figure 42: Adding the shipping foam to the library perimeter

Disconnecting library cables

To disconnect library cables:

1. Disconnect the FC cables connecting from the library to the host.
2. Disconnect the Ethernet cable connecting to the local network.
3. Disconnect the power cord from the library to its power source.
4. Pack the cables removed in [step 1](#) through [step 3](#) with other library accessories.
5. Disconnect the following cables but leave them routed in the channel:
 - Drive cluster and card cage power cables
 - Drive cluster Ethernet cables
 - Drive cluster I2C cables

- Drive SCSI cables (not present on Ultrium 460-FC drives)
- Cabinet controller SCSI cable
- Robotics controller card (e1200-160) Ethernet cable
- e2400-160 or e2400-FC 2G interface controller Ethernet cables
- Interface Manager card Ethernet cable
- Drive FC cables (not present on SCSI drives)

Crating the library

Use this section if you need to:

- Ship the library to the new site.
- Transport the library by forklift or similar means.

If you are moving the library within a facility, refer to “[Preparing the library for operation](#)” on page 118.



WARNING: The library weighs approximately 1350 lb. (612 kg). Use at least two people to perform any steps that involve lifting or guiding the library.



ADVERTENCIA: El peso aproximado de la biblioteca es de 612 kg. Utilice como mínimo dos personas para llevar a cabo cualquiera de los pasos que impliquen la elevación o conducción de la biblioteca.



VORSICHT: Die Library wiegt ca. 612 kg (1.350 lb). Daher müssen alle Schritte, die das Anheben oder das Führen der Tape Library erfordern, von mindestens zwei Personen durchgeführt werden.



AVVERTENZA: La libreria pesa circa 612 KG. Utilizzare almeno due persone per eseguire qualsiasi operazione di sollevamento o di spostamento della libreria.



警告 : ライブラリの重さは約612Kgあります。ライブラリを持ち上げたり、移動したりする場合は、少なくとも2人以上で作業してください。



WAARSCHUWING: De library weegt ongeveer 612 kg. Als de library moet worden opgetild of voortbewogen, doet u dat dan altijd met twee personen.

To crate the library for a new site (see [Figure 43](#)).

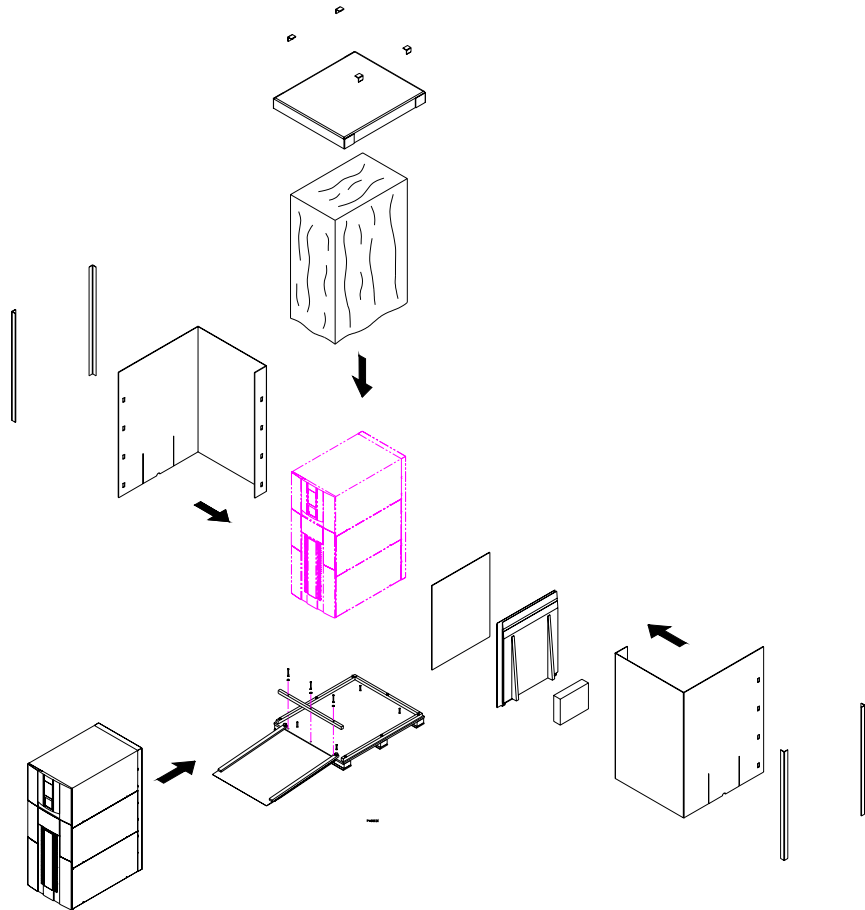


Figure 43: Crating the library

1. Prepare the shipping pallet for the library by attaching the ramp to the pallet.
2. Place the library on the pallet
 - a. Raise the library support feet.
 - b. With the help of at least one person, roll the library to a position in front of the pallet ramp.
 - c. Roll the library onto the pallet.

3. Secure the library.
 - a. Place the shipping bag over the library, and secure it into place.
 - b. Use the four shipping bolts to secure the library to the pallet.
 - c. Remove the ramp from the pallet and lean it against the side of the library with a cardboard sheet between the library and the ramp.
4. Place the accessory kits onto the pallet.
5. Place the foam cap over the library.
6. Wrap the cardboard crate around the library and fasten it using the plastic restraining clips.
7. Place the top onto the crate.
8. Secure the crate with two steel restraining bands.

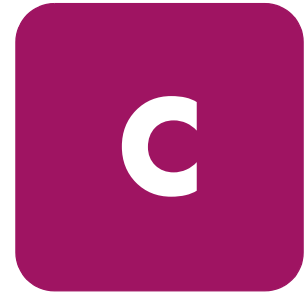
Preparing the library for operation

After shipping or moving the library, refer to the *HP StorageWorks ESL E-Series Pre-Installation Site Survey Instructions* and the *HP StorageWorks ESL E-Series Unpacking and Installation Guide* to:

- Prepare the new installation site
- Receive the library
- Uncrate the library
- Position the library
- Install and configure the library

Note: The ESL E-Series library must be unpacked and installed by authorized HP service personnel only.

Regulatory Statements



FCC statement

This equipment has been tested and found to comply with the limits for a Class A digital device, pursuant to Part 15 of the FCC Rules. These limits are designed to provide reasonable protection against harmful interference when the equipment is operated in a commercial environment. This equipment generates, uses, and can radiate radio frequency energy and, if not installed and used in accordance with the instruction manual, may cause harmful interference to radio communications.

Any changes or modifications made to this equipment may void you's authority to operate this equipment.

Operation of this equipment in a residential area may cause interference in which case you at your own expense will be required to take whatever measures may be required to correct the interference.

This device complies with Part 15 of the FCC Rules. Operation is subject to the following conditions:

1. This device may not cause harmful interference, and
2. This device must accept any interference received, including interference that may cause undesired operation.

BSMI statement

警告使用者:

這是甲類的資訊產品，在居住的環境中使用時，可能會造成射頻干擾，在這種情況下，使用者會被要求採取某些適當的對策。

Japan statement (VCCI)

この装置は、情報処理装置等電波障害自主規制協議会 (VCCI) の基準に基づくクラスA情報技術装置です。この装置を家庭環境で使用すると電波妨害を引き起こすことがあります。この場合には使用者が適切な対策を講ずるよう要求されることがあります。

Industry Canada (digital apparatus)

Reference: *Interference-Causing Equipment Standard, ICES-003 Issue 2*

This Class A digital apparatus meets all requirements of the Canadian Interference-Causing Equipment Regulations.

Cet appareil numérique de la classe A respecte toutes les exigences du Règlement sur le matériel brouilleur du Canada.

CISPR-22 WARNING!

This is a Class A product. In a domestic environment this product may cause radio interference in which case the user may be required to take adequate measures.

ACHTUNG!

Dieses ist ein Gerät der Funkstörgrenzwertklasse A. In Wohnbereichen können bei Betrieb dieses Gerätes Rundfunkstörungen auftreten, in welchen Fällen der Benutzer für entsprechende Gegenmassnahmen verantwortlich ist.

ATTENTION!

Ceci est un produit de classe A. Dans un environnement domestique, ce produit peut causer des interférences radioélectriques. Il appartient alors à l'utilisateur de prendre les mesures appropriées.

Notice for USA and CANADA only

If shipped to USA, use the UL LISTED power cord specified below for 200-240 V operation. If shipped to Canada, use the CSA CERTIFIED power cord specified below for 200-240 V operation.

- Plug Cap: NEMA twist-lock plug with ground pin (NEMA L6-20P configuration)
- Cord Type: SJT, three 12 AWG (3 x 2.50 mm²) or 18 AWG (1.0 mm²) wires
- Length Maximum: 15 feet (4.5m)
- Rating Minimum: 25 A, 125 V

ATTENTION

LIRE LA REMARQUE DANS LE MODE D'EMPLOI.

REMARQUE

CETTE REMARQUE NE CONCERNE QUE LES ÉTATS-UNIS ET LE CANADA.

En cas d'envoi aux États-Unis, utiliser le cordon d'alimentation CERTIFIÉ UL et convenant pour 200-240 V.

En cas d'envoi au Canada, utiliser le cordon d'alimentation CERTIFIÉ CSA et convenant pour 200-240 V.

- Fiche: Broches parallèles avec une broche de mise à la terre (configuration NEMA L6-20P)
- CordonType: SJT, trifilaire 12 AWG (3 x 2.50 mm²) ou 18 AWG (1.0 mm²)
- Longueur Maximum: 15 pieds (4.5m)
- Capacité Minimum: 25A, 125 V

Laser statement

Class 1 laser product



WARNING: With all panels and enclosures in place, this product is rated as a Class I laser product. The bar code scanner inside this product, however, is a Class II laser. Avoid exposure to the laser light emitted from the bar code scanner. Do not stare into the beam.



WARNING: Use of controls or adjustments or performance of procedures other than those specified herein may result in hazardous exposure.

Laser klasse 1

VORSICHT: Dieses Produkt Enthält Einen Laser der Kategorie II. Laserstrahlen - Der Strichcode-scanner Gibt Laserstrahlen aus. VERMEIDEN SIE jeden Blickkontakt und direkten körperlichen Kontakt mit diesen Strahlen.

VORSICHT: Ein nicht ordnungsgemäßer (siehe hier enthaltene Anweisungen) Einsatz bzw. Änderungen der Betriebsleistung können einen Gesundheit gefährdenden Kontakt zur Folge haben.

Appareil à laser de classe 1

ATTENTION: Ce produit émet de la classe laser II. Rayonnement laser - NE PAS fixer des yeux le rayon. Éviter les expositions - Le rayonnement laser est émis à partir du lecteur optique de code barre.

ATTENTION: L'utilisation de contrôles ou d'ajustements de performance des procédures autres que ceux indiqués ici peut entraîner une exposition dangereuse.

Producto láser de clase 1

¡ATENCIÓN! Este producto contiene laser de clase II. Luz de laser - NO mire el rayo. Evite el contacto con la luz: la luz de laser se emite desde el explorador de código de barras.

¡ATENCIÓN! El uso de los controles o ajustes para realizar procedimientos que no son especificados puede provocar una situación peligrosa.

Luokan 1 laserlaite

ATTENZIONE: Questo prodotto emette una luce laser di Classe II. NON guardare il fascio di luce ed evitare di esporsi alla fonte del laser. Il fascio di luce laser h emesso dal dispositivo di scansione del codice a barre.

ATTENZIONE: L'uso di comandi o regolazioni per eseguire le procedure che non siano quelli specificati in questa documentazione pur causare rischi all 'incolumit' delle persone.

Battery statement



WARNING: This product contains a Lithium battery. The Dallas Semiconductor DS12B887 on the motherboard contains a Lithium battery. Lithium may be considered a hazardous material. Dispose of this battery in accordance with local, state, and federal laws.

LET OP

Dit product bevat een lithiumbatterij. De DS12B887-chip van Dallas Semiconductor op het moederbord bevat een lithiumbatterij. Lithium kan als gevaarlijk materiaal worden beschouwd. Werp de batterij weg in overeenstemming met de plaatselijke en landelijke milieuwetgeving.

VAROITUS

Tässä tuotteessa on litiumparisto. Emolevyllä oleva Dallas Semiconductor DS12B887 sisältää litiumpariston. Litium saattaa olla luokiteltu vaaralliseksi aineeksi. Hävitä tämä paristo paikallisten lakien ja määräysten mukaisesti.

ATTENTION

Ce produit contient une batterie au lithium. Le composant Dallas DS12B887 de la carte mère contient une batterie au lithium. Le lithium peut être considéré comme un produit dangereux. Rejetez cette batterie selon les règlements locaux, régionaux ou fédéraux.

ACHTUNG

Dieses Produkt enthält eine Lithium-Batterie. Der Dallas Halbleiter DS12B887 auf der Hauptplatine enthält eine Lithium-Batterie. Lithium gilt als speziell zu entsorgender Sondermüll. Bei der Entsorgung dieser Batterie müssen die entsprechenden lokalen, länder- und bundesweiten Gesetze und Regelungen betreffend Sammel- und Rückgabestellen beachtet werden.

Attenzione

Questo prodotto contiene una batteria al litio. Il modulo Dallas Semiconductor DS12B887 contiene una batteria al litio sulla scheda madre. Il litio può essere considerato un materiale pericoloso. Utilizzare questo tipo di batterie in accordo con le normative vigenti.

PRECAUCIÓN

Este producto contiene una batería de litio. El modelo Dallas Semiconductor DS12B887 de la placa base contiene una batería de litio. El litio puede ser considerado un material peligroso. Deseche la batería conforme a la normativa vigente de aplicación.

VARNING!

Denna produkt innehåller ett litiumbatteri. Dallas Semiconductor DS12B887 på moderkortet innehåller ett litiumbatteri. Litium kan betraktas som ett miljöfarligt ämne. När batteriet förbrukats, ska de lagar som gäller för miljöfarligt avfall respekteras.

Sense Data Values



This appendix lists sense data values and descriptions. These values appear in library error codes, as well as in the library error log.

[Table 22](#) lists message information that can be sent from the tape library to the host computer. The table is sorted by the data in the ASC column (second column from left) and lists the following information:

- Sense Key
- Additional Sense Code (ASC)
- Additional Sense Code Qualifier (ASCQ)
- Message name, description and (potential) recovery action
- Valid Interfaces
 - SCSI (host computer)
 - DIAG (diagnostic port/computer)
 - Both = SCSI and DIAG port

[Table 23](#) lists message information for hardware failures ASCQ values. The table is sorted by the data in the ASCQ column and lists the following information:

- ASCQ
- Message name, description and (potential) recovery action

Message name and description may contain abbreviations as follows:

- LU = Logical Unit
- REQ'D = Required
- DEV = Device
- DIAG = Diagnostics
- NVRAM = Nonvolatile RAM
- A/D = Analog-to-Digital

Table 22: Sense data values (Hexadecimal)

Sense Key	ASC	ASCQ	Message Name/Description
0	00	00	NO ADDITIONAL SENSE INFORMATION No recovery necessary.
2	04	00	LU IS NOT READY, CAUSE NOT REPORTABLE Internal error. Retry command.
2	04	01	LOGICAL UNIT IN PROCESS OF BECOMING READY Wait for library unit to complete initialization.
2	04	02	LOGICAL UNIT INIT REQUIRED Element status or calibration unknown. Perform “Initialize Element Status” command (SCSI) or “Initialize Inventory” command (DIAG).
2	04	03	LU IS NOT READY, MANUAL INTERVENTION REQ'D Initialization failed. Determine failure type by checking any previous error code returned to host. Reinitialize element status through backup package or command line interface.
5	04	07	DRIVE FW UPDATE IN PROGRESS The drive can not perform indicated request because it is in the process of updating it's firmware.
B	08	00	LOGICAL UNIT COMMUNICATION FAILURE Check cables. Ensure library unit is powered on. Retry command.
B	08	01	LIBRARY COMMUNICATION TIME-OUT Internal communications not responding. Retry command.
5	1A	00	PARAMETER LIST LENGTH ERROR Invalid parameter list length field specified by command.
5	20	00	INVALID COMMAND OPERATION CODE Verify the host command format.
5	21	01	INVALID ELEMENT ADDRESS Check Mode Sense data for correct element addresses.
5	24	00	INVALID FIELD IN COMMAND DATA BLOCK Ensure all reserve fields are set to zero.

Table 22: Sense data values (Hexadecimal) (Continued)

Sense Key	ASC	ASCQ	Message Name/Description
5	25	00	LOGICAL UNIT IS NOT SUPPORTED Verify the logical unit field specified in the command contains a legitimate logical unit number. Check cabling to logical unit.
5	26	00	INVALID FIELD IN PARAMETER LIST Verify Mode Select page fields. Verify that fields comply with command format described in this guide.
5	26	02	PARAMETER VALUE INVALID Verify Mode Select page fields. Verify that fields comply with command format described in this guide. This response is also returned for commands issued to the diagnostic interface of the library if an invalid parameter is sent.
6	28	01	IMPORT OR EXPORT ELEMENT ACCESSED Load port door has been closed.
6	29	00	POWER-ON, RESET OR BUS DEVICE RESET OCCURRED Informational message. If power on occurs, the host user should assume the inventory may have changed, and should ask the library for that information again.
6	29	01	POWER-ON RESET OCCURRED. Informational message. If power on occurs, the host user should assume the inventory may have changed, and should ask the library for that information again.
6	29	02	BUS RESET OCCURRED. Informational message. If power on occurs, the host user should assume the inventory may have changed, and should ask the library for that information again.
6	29	03	BUS DEVICE RESET OCCURRED Informational message. If power on occurs, the host user should assume the inventory may have changed, and should ask the library for that information again.

Table 22: Sense data values (Hexadecimal) (Continued)

Sense Key	ASC	ASCQ	Message Name/Description
6	29	04	INTERNAL DEVICE RESET OCCURRED Informational message. If power on occurs, the host user should assume the inventory may have changed, and should ask the library for that information again.
6	2A	01	MODE PARAMETERS CHANGED Mode parameters may have changed due to another host issuing a Mode Select command.
B	30	00	INCOMPATIBLE MEDIA An attempt was made to move media to a destination element that is incapable of receiving it.
-none-	30	03	CLEANING CARTRIDGE INSTALLED Indicates that the element contains a cleaning cartridge that is not "used-up." This is returned with the element status data, which has no sense key.
5	30	03	CLEANING CARTRIDGE INSTALLED A cleaning cartridge cannot be removed from a drive because it is being used in a cleaning operation. A cartridge cannot be placed into the drive because the drive is being cleaned. A cartridge cannot be placed into an empty storage element because it is reserved for a cleaning cartridge that is currently in use in a drive cleaning operation.
5	39	00	SAVING PARAMETERS NOT SUPPORTED Verify Save Parameter field in the Mode Select page complies with the command format described in this guide.
5	3A	00	MEDIUM NOT PRESENT The inventory indicated that a cartridge was in this bin but no cartridge was sensed by the picker when it attempted to pick it. Retry the command. Check for proper seating of the cartridge. It may also indicate that the tape is not ready to be picked from the drive because the tape is not fully unloaded. Retry the command.

Table 22: Sense data values (Hexadecimal) (Continued)

Sense Key	ASC	ASCQ	Message Name/Description
5	3B	0D	MEDIUM DESTINATION ELEMENT FULL Destination element address already contains a cartridge. Issue a Read Element Status command and retry move command using your application software. If the problem recurs, issue an Initialize Element Status command followed by a Read Element Status command and retry move command using your application software.
5	3B	0E	MEDIUM SOURCE ELEMENT EMPTY Source element address does not contain a cartridge. Issue a Read Element Status command and retry move command using your application software. If the problem recurs, issue an Initialize Element Status command followed by a Read Element Status command and retry the move command using your application software.
B	43	00	SCSI MESSAGE ERROR Detected message error in message processing on the SCSI BUS.
B	47	00	SCSI PARITY ERROR SCSI Parity Error detected. Check cable connections and cable length.
5	4E	00	OVERLAPPED COMMANDS ATTEMPTED Due to a second command being sent from the same host before a previous command has completed, the previous command has been aborted. This may also occur when executing off-line commands via the control panel and DIAG port simultaneously.
3	52	00	DRIVE REPORTING MEDIA ERROR The tape drive is indicating that it has detected a problem with the media. See the tape drive user's manual for more information.
5	53	02	MEDIUM REMOVAL PREVENTED Prevent Medium Removal command was executed and command was received to export cartridge. Execute Allow Medium Removal command and retry move medium command using your application software.

Table 22: Sense data values (Hexadecimal) (Continued)

Sense Key	ASC	ASCQ	Message Name/Description
2	5A	01	OPERATOR MEDIUM REMOVAL REQUEST Indicates that the element contains a cleaning cartridge that is "used-up" and the system is unable to export the cleaning cartridge. Manually unload the tape. The load port door is open, so import/export elements can not be accessed.
2	80	00	DOOR IS OPENED INVENTORY MAY HAVE BEEN CORRUPTED Close door and retry command. If the system is on-line, it executes its initialization procedure.
6	80	00	DOOR WAS OPENED INVENTORY MAY HAVE BEEN CORRUPTED Close door and retry command.
-none-	80	01	DRIVE REQUIRES CLEANING Tape drive indicates that drive needs cleaning. Clean the tape drive. This is returned with element status data, which has no sense key.
5	80	01	TRANSFER FULL - COMMAND CAN NOT BE EXECUTED Picker has cartridge in it. Move cartridge to empty storage element using Move Medium command via your application software. Retry command.
B	80	01	TRANSFER FULL - AT END OF PLACE Picker has cartridge in it at end of a place operation (Move Medium with a target other than the Transfer). Move cartridge to empty storage element using Move Medium command via your application software. Retry command.
B	80	06	TRANSFER EMPTY - COMMAND ABORTED Picker does not contain cartridge at end of pick portion of Move Medium command.
2	80	07	SYSTEM IS STOPPED The STOP button on the control panel was pressed. Press the STOP button.

Table 22: Sense data values (Hexadecimal) (Continued)

Sense Key	ASC	ASCQ	Message Name/Description
6	80	07	SYSTEM STOP BUTTON WAS PRESSED The STOP button on the control panel was pressed. Press the STOP button. Retry command.
6	80	08	LOGICAL UNIT TURNED ON-LINE Through the menu options, bring the library on-line.
2	80	09	LOGICAL UNIT IS TURNED OFF-LINE Through the menu options, bring the library on-line.
6	80	09	LOGICAL UNIT TAKEN OFFLINE Library was taken off-line through the remote web management or GUI.
B	80	10	LOAD RETRY FAILED Library was unable to successfully load and thread the drive, even after retries. Check drive alignment. If the problem continues, drive may need servicing.
4	80	0A	CONFIGURATION SETTINGS CORRUPTED Reconfigure the library. If problem persists, call Technical Support.
B	80	0B	COMMAND ABORTED BY USER Informational message. No action is necessary.
B	80	0D	CARTRIDGE PARTIALLY GRIPPED Issue a Move Medium command using your application software to move the cartridge from the transfer element to an empty storage element.
6	80	0E	DATA TRANSFER CHANGED A drive has been inserted/removed into the system. Use "Read Element Status" to determine status of drives.
4	80	0F	LOW POWER ERROR Check power connections.
4	80	11	MOTOR POWER FAILURE Indicates motor powered off for a reason not otherwise reported.

Table 22: Sense data values (Hexadecimal) (Continued)

Sense Key	ASC	ASCQ	Message Name/Description
5	80	22	ELEMENT CONTENTS UNKNOWN The contents of an element address are unknown. Issue a Read Element Status for the element address. If contents are still unknown issue an Initialize Element Status command.
4	80	23	BAR CODE SCANNER FAILURE Bar code scanner has failed. Reinitialize element status.
4	81	See Table 23	PICKER HARDWARE FAILURE Picker hardware failure. Call Technical Support.
5	81	C0	TRANSPORT FULL The picker contains a cartridge. Issue a command to retrieve the cartridge from the picker and place it in either a bin or a tape drive.
5	81	E0	PICKER INVALID START CONDITION Picker hardware condition is unknown. Issue a Rezero Unit command.
5	81	F0	PICKER INVALID COMMAND Picker hardware commanded to position out of system mechanical limits. Issue a Rezero Unit command.
4	82	See Table 23	ROTARY HARDWARE FAILURE Rotary hardware failure. Call Technical Support.
5	82	E0	ROTARY INVALID START CONDITION Rotary hardware condition is unknown. Issue a Rezero Unit command.
5	82	F0	ROTARY INVALID COMMAND Rotary axis was commanded to a position out of its legal range. This is an internal code failure.
4	83	See Table 23	EXTENSION HARDWARE FAILURE Extension hardware failure. Call Technical Support.

Table 22: Sense data values (Hexadecimal) (Continued)

Sense Key	ASC	ASCQ	Message Name/Description
5	83	E0	EXTENSION INVALID START CONDITION Extension hardware condition is unknown. Issue a Rezero Unit command.
5	83	F0	EXTENSION INVALID COMMAND Extension hardware was commanded to a position out of the systems mechanical limits.
4	84	See Table 23	VERTICAL HARDWARE FAILURE Vertical hardware internal failure. Call Technical Support.
5	84	E0	VERTICAL INVALID START CONDITION Vertical hardware condition is unknown. Issue a Rezero Unit command.
5	84	F0	VERTICAL INVALID COMMAND Vertical hardware commanded to position out of system mechanical limits. Issue a Rezero Unit command. If the problem persists, calibrate the library.
4	85	See Table 23	HORIZONTAL HARDWARE FAILURE Horizontal hardware failure. Call Technical Support.
5	85	E0	HORIZONTAL INVALID START CONDITION Horizontal hardware condition is unknown. Issue a Rezero Unit command.
5	85	F0	HORIZONTAL INVALID COMMAND Horizontal hardware commanded to position out of system mechanical limits. Issue a Rezero Unit command. If the problem persists, calibrate the library.
4	87	See Table 23	DEPTH HARDWARE FAILURE Depth hardware failure. Call Technical Support.
5	87	E0	DEPTH INVALID START CONDITION Depth hardware condition is unknown. Issue a Rezero Unit command.

Table 22: Sense data values (Hexadecimal) (Continued)

Sense Key	ASC	ASCQ	Message Name/Description
5	87	F0	DEPTH INVALID COMMAND Depth hardware commanded to position out of system mechanical limits. Issue a Rezero Unit command. If the problem persists, calibrate the library.
4	88	00	WARNING SAFE TEMPERATURE EXCEEDED This is only a warning that the temperature in the library exceeds the normal operational temperature (96.8°F).
4	88	01	MAXIMUM TEMPERATURE EXCEEDED The robot in the cabinet that has overheated turns off and remains off until the temperature returns to an acceptable level (59-90°F).
4	89	00-FF	VISION HARDWARE FAILURE Vision internal failure. Call Technical Support.
5	8A	02	UNCALIBRATED POSITION System requires calibration.
6	8A	02	CALIBRATION FAILURE Check slots, cartridges, all internal elements.
4	8B	See Table 23	CLM HARDWARE FAILURE CLM failure. Call Technical Support.
5	8B	E0	CLM INVALID START CONDITION CLM hardware condition is unknown. Issue a Rezero Unit command.
5	8B	F0	CLM INVALID COMMAND CLM hardware commanded to position out of system mechanical limits. Issue a Rezero Unit command. If the problem persists, calibrate the library.
B	8B	C0	TRANSPORT FULL The CLM contains a cartridge. Issue a command to retrieve the cartridge from the CLM and place it in either a bin or a tape drive.

Table 22: Sense data values (Hexadecimal) (Continued)

Sense Key	ASC	ASCQ	Message Name/Description
B	8C	01	LOAD PORT LATCH FAILURE The load port door was unlocked, but did not leave its current position before time-out (30 seconds). This may be due to the door being stuck, or in the case of a close operation, the operator not moving the door.
4	8C	06	LOAD PORT DOOR OPEN Load port door unlocked but failed to open.
4	8E	03	CABINET CONTROLLER UNABLE TO UPLOAD Unable to upload firmware to the cabinet controller.
4	8E	04	ROBOTICS CONTROLLER UNABLE TO UPLOAD Unable to upload firmware to the robotic controller.
B	8F	00	LIBRARY UNIT COMMAND TIMED OUT Verify that communications to library still exists by issuing another command.
4	F3	02	DRIVE COMMUNICATION TIMEOUT The library is unable to communicate with a drive.
4	F3	20	DRIVE UNLOAD FAILED OR TIMED OUT The command to the drive to unload the tape failed to complete or timed out.
4	F3	21	DRIVE EJECT FAILED OR TIMED OUT The command to the drive to eject a tape failed to complete or time out.
4	F3	22	DRIVE LOAD FAILED OR TIMED OUT The command to the drive to load a tape failed to complete or timed out.
4	F3	23	DRIVE THREAD FAILED OR TIMED OUT The command to the drive to thread a tape failed or timed out.

Table 23: Hardware failure ASCQ values

ASCQ	Description
00-0F	OTHER Hardware internal failure. Call Technical Support.
10-1F	ENCODER/MOTOR Check the motor/encoder connector.
20-2F	HOME SENSOR/FLAG Home sensor/flag failure. Check home sensor connector and flag.
30-3F	MECHANICAL POSITION ERROR Hardware did not reach desired position. The axis path could be obstructed. Determine the cause of the obstruction. Retry command. If the failure recurs, run self-test.
40-4F	TIMEOUT Hardware did not reach desired position. The axis rail lubrication may be insufficient. The axis belt may be too tight. The motor pulley may be loose. Retry the command. If the failure reoccurs, then run selftest.
50-5F	OVER CONTROL The hardware is obstructed. Determine the cause of the obstruction. Retry the command. If the failure reoccurs, then run selftest.
60-6F	FPGA FAILURE Robotics FPGA has failed. Call Technical Support.
70-7F	POSITIONAL DRIFT The hardware home position is drifting. Call Technical Support.
80-8F	MAPPING FAILURE Scanner was unable to detect optical target during calibration.

Table 23: Hardware failure ASCQ values (Continued)

ASCQ	Description
90-9F	FORCE ERROR While pushing a cartridge into a bin or drive, the extension axis never made contact with any object.
A0-AF	SENSOR FAILURE A sensor transition did not occur as expected or an extra transition occurred during calibration, inventory or pick/place. Retry the command. If the failure recurs, contact Technical Support.
B0-BF	ELECTRONICS NOT PRESENT Electronics necessary for hardware to function is not present. Install necessary hardware.

Event Reporting



The library is capable of reporting a variety of events that occur within the cabinet. An event is defined as any occurrence that requires user attention and possible intervention. These events are either report through the OCP or through E-mail alerts.

Library events are broken up into the following sections:

- [Information events](#), page 144
- [Warning events](#), page 146
- [Critical events](#), page 148

Information events

Informational events are for user information only and do not require any intervention on the cabinet such as replacing components or updating software.

Table 24 lists the information events provided by the library.

Table 24: Information events

Information Events
Cabinet *cabinet number door state changed
Load Port opened
Load Port closed
Mode parameters for cabinet changed
Mode parameters for partition changed
Cabinet has been stopped
Cabinet has been started
Cabinet is now offline
Cabinet state change to online
Partition state change to online
Cabinet state change to going online
Drive *drive added
Drive *drive removed
Drive *drive power on
Drive *drive power off
Partition prevent / allow changed
Load port *loadport
Panel opened
Panel closed
User *user logged in
User *user logged out
Added new user
Updated user
Removed user

Table 24: Information events (Continued)

Information Events
Added new SNMP community
Updated SNMP community
Removed SNMP community
Added new trap destination
Updated trap destination
Removed trap destination
Updated date and time
Updated IP address
Updated subnet mask
Updated hostname
Updated domain
Updated default gateway
Updated email server
Updated DNS address
Library Name changed
Library shutdown requested from remote GUI
Library reboot requested from remote GUI
Contract number updated
Upload file complete
Upgrade firmware complete
Updated OCP Password
Updated Subnet Mask
Updated Default Gateway
Updated IP address
<i>* indicates a variable character. This will change depending on the specific item within the cabinet.</i>

Warning events

Warning events indicate that a possible error condition exists within the cabinet. These events give the user a chance to check the cabinet before a failure occurs.

[Table 25](#) lists the warning events provided by the library.

Table 25: Warning events

Warning Events
Tape move failed
Tape inventory failed
Sensor *name may need attention
Sensor *name may need attention
Tape Alert Flag 1 - Read Warning
Tape Alert Flag 2 - Write Warning
Tape Alert Flag 3 - Hard Error
Tape Alert Flag 7 - Media Life
Tape Alert Flag 8 - Not Data Grade
Tape Alert Flag 15 - Memory in Cartridge Failure
Tape Alert Flag 17 - Read Only Format
Tape Alert Flag 18 - Tape Directory Corrupted
Tape Alert Flag 21 - Clean Periodic
Tape Alert Flag 29 - Drive Maintenance
Tape Alert Flag 32 - Interface
Tape Alert Flag 34 - Download Fault
Tape Alert Flag 35 - Drive Humidity
Tape Alert Flag 36 - Drive Temperature
Tape Alert Flag 37 - Drive Voltage
Tape Alert Flag 39 - Diagnostics Required
Error setting SCSI ID
Cabinet *cabinet number door open
Diagnostic command *cmd command failed
Fibre drive configuration failed

Table 25: Warning events (Continued)

Warning Events
Unable to get medium changer statistics
NVRAM corrupted
Drive update
Logical unit init required
Logical unit is not ready
Operator medium removal request
Door is opened
Transfer full - command can not be executed
System is stopped
Logical unit is turned off-line
*panelname, sensor *name may need attention
Drive *drive number, sensor *name may need attention
Logical unit is not ready
Load Port unload error
Software Socket Failure
Software Socket Failure
No Matching Frame Name Found
Software Communication Failure
No data read for event
System Test Error
<i>* indicates a variable character. This will change depending on the specific item within the cabinet.</i>

Critical events

Critical events indicate that a failure has occurred in the cabinet. The user must intervene to return the cabinet to operation.

Table 26 lists the critical events provided by the library.

Table 26: Critical events

Critical Events
Sensor *name needs attention
Sensor *name needs attention
Tape move failed
Tape inventory failed
Tape Alert Flag 4 - Media
Tape Alert Flag 5 - Read Failure
Tape Alert Flag 6 - Write Failure
Tape Alert Flag 9 - Write Protect
Tape Alert Flag 13 - Recoverable Snapped Tape
Tape Alert Flag 14 - Unrecoverable Snapped Tape
Tape Alert Flag 16 - Forced Eject
Tape Alert Flag 20 - Clean Now
Tape Alert Flag 22 - Expired Cleaning Media
Tape Alert Flag 23 - Invalid Cleaning Cartridge
Tape Alert Flag 30 - Hardware A (Reset Needed)
Tape Alert Flag 31 - Hardware B (Power Cycle Needed)
Tape Alert Flag 33 - Eject Media
Tape Alert Flag 38 - Predictive Failure
Diagnostic command *cmd command failed
Unable to get medium changer statistics
Maximum temperature exceeded
Drive update
Library communication time-out
Incompatible media

Table 26: Critical events (Continued)

Critical Events
Transfer full - at end of place
Transfer empty - command aborted
Load retry failed
Cartridge partially gripped
Low power error
Motor power failure
Bar code decoder communication failure
Gripper timeout
Gripper open failure
Gripper close failure
Unable to pick cartridge
Rotary timeout
Rotary front failed
Rotary back failure
Rotary home not found
Rotary axis internal failure
Rotary invalid command
Extension timeout
Extension current feedback failure
Extension mechanical position error
Vertical home not found
Vertical test failure
Vertical encoder failure
Vertical mapping failure
Horizontal timeout
Horizontal mechanical position error
Horizontal home not found
Horizontal test failure
Horizontal encoder failure

Table 26: Critical events (Continued)

Critical Events
Horizontal mapping failure
Warning safe temperature exceeded
Load port timeout
*panel name, sensor *name needs attention
Drive *drive number, sensor *name needs attention
Gripper hardware failure
Extension internal failure
Vertical internal failure
Horizontal internal failure
Logical unit communication failure
Rotary invalid start condition
Extension invalid start condition
Depth hardware failure
Vision hardware failure
CLM hardware failure
CLM invalid start condition
CLM invalid command
Transport full
Load port door open
Cabinet controller unable to upload
Robotic controller unable to upload
Library unit timed out
Drive communication timeout
Drive unload failed or timed out
Drive eject failed or timed out
Drive thread failed or timed out
SCSI event
Abort command
Invalid CDB received

Table 26: Critical events (Continued)

Critical Events
No Mond connection
No HBAs found
Fork new ted failed
Initialization failed
Parse error
Software Socket Failure
Software Socket Died
Software Socket Failure
Software Socket Died
Cabd unable to start new thread
Cabinet Not Found
Software Pipe Failure
Software Communication Error
Software Socket Failure
Software Socket Failure
<i>* indicates a variable character. This will change depending on the specific item within the cabinet.</i>

Glossary

This glossary defines terms used in this guide or related to this product and is not a comprehensive glossary of computer terms.

Antistatic mat

A mat made of antistatic material which includes a cabled connection to ground at a wall receptacle.

ASC

The Additional Sense Code is part of the SCSI-2 specification. The additional sense code (ASC) field indicates further information related to the error or exception condition reported in the sense key field.

ASCQ

Additional Sense Code Qualifier is part of the SCSI-2 specification. The additional sense code qualifier (ASCQ) indicates detailed information related to the additional sense code.

Autoclean

A user-defined mode made on the touch screen GUI by which the library automatically performs drive cleaning tasks.

Bit

The basic unit of data in a binary numbering system (*binary digit*), represented by a 0 or a 1. Eight bits equals one byte.

Byte

The basic unit of computer memory which is large enough to hold one character.

Calibrate

A process used by the library robotics to determine the exact position of storage, data transfer, and import/export elements.

Check Condition status

Blocks of data are stored on the tape medium along with additional information that the library controller uses to manage storage and retrieval. The format of the additional information is unique and is hidden from the initiator during normal read or write operations. This additional information is often used to identify the physical location of the blocks of data and the address of the logical block, and to provide protection against the loss of the user data.

The address of the first logical block is zero. The address of the last logical block is [n-1], where [n] is the number of logical blocks available on the medium. A Read Capacity command may be issued to determine the value of [n-1]. If a command is issued that requests access to a logical block not within the capacity of the medium, the command is terminated with CHECK CONDITION.

CISPR 22

This standard describes the emissions testing methods and test limits for information technology equipment, such as computers, office machines, or telecommunications equipment connected to low - voltage power main networks (<600V). It does not apply to equipment whose primary function is radio transmission or reception as defined by the International Telecommunications Union (ITU) Radio Regulations.

The object of the standard is to establish uniform requirements for the conducted and radiated disturbance levels of the equipment covered by the standard. Disturbance limits are established for Class A and Class B equipment, and measurement methods, operating conditions, and interpretation of results are addressed.

Class A digital device

Class A equipment is intended for Commercial installation.

Class I laser product

Class 1 lasers are products where the power of the laser beam produced (the accessible emission) is always below the Maximum Permissible Exposure value. Therefore, for Class 1 lasers the output power is below the level at which it is believed eye damage will occur. Exposure to the beam of a Class 1 laser will not result in eye injury. Class 1 lasers may therefore be considered eye safe.

Class II laser product

Class 2 lasers are limited to a maximum output power of 1 mW. A person receiving an eye exposure from a Class 2 laser, either accidentally or as a result of someone else's deliberate action (misuse) will be protected from injury by their natural blink reflex. This is a natural involuntary response which causes the individual to blink and avert their head thereby terminating the eye exposure.

Elements

SCSI designation for any device or bin in the library that can hold a cartridge. SCSI elements include storage bins, tape drives, load port bins, and the picker.

EMI

Electro-Magnetic Interference refers to unwanted electrical noise present on a power line. This noise may leak from the power lines and affect equipment that isn't even connected to the power line. Such leakage is called a magnetic field. Magnetic fields are formed when unwanted noise voltages give rise to noise currents. Such noise signals may adversely affect electronic equipment and cause intermittent data problems.

ESD

Electrostatic Discharge

Host

The device or devices to which the library is connected.

IEC

The International Electrotechnical Commission is based in Geneva, Switzerland.

Load port

The revolving assembly on a front door of enterprise libraries that incorporates a revolving drum and tape cartridge bins for loading and unloading tape cartridges.

LTO-2

Linear Tape-Open is a tape drive specification backed by HP, IBM and Seagate. Ultrium 460 tape drives (LTO-2) are HP's second generation of LTO tape drives.

LVD

Low Voltage Differential or LVD is a type of electrical signaling for parallel SCSI and can reach distances up to 12 meters. All HP Ultrium 460 tape drives are LVD devices. SDLT tape drives can be LVD or HVD devices.

MSBF

Mean Swaps Before Failure

MTBF

Mean Time Between Failures

MTTR

Mean Time To Repair

NEMA

National Electrical Manufacturers Association

Network interface Card (NIC)

A NIC is a device that handles communication between a device and other devices on a network.

NVRAM

Non-Volatile Random Access Memory is a type of memory that retains its contents when power is turned off. One type of NVRAM is SRAM that is made non-volatile by connecting it to a constant power source such as a battery. Another type of NVRAM uses EEPROM chips to save its contents when power is turned off. In this case, NVRAM is composed of a combination of SRAM and EEPROM chips.

PCI

The PCI bus typically runs at speeds of 33 MHz or 66 MHz and is usually 32 bits wide. This means that it passes 32 bits of data simultaneously as if down 32 separate wires. Some of the most recent computers include wider 64-bit PCI buses, and already certain very high-end video capture cards offer improved performance if connected to a 64-bit PCI bus.

Picker

A mechanical component of the extension axis assembly (robotics) which grips and holds a tape cartridge in transit

Reports

Refers to the report options on the touch screen graphical user interface Service screen.

Robotics

As used in the context of automated tape libraries; the X-axis, Y-axis, and Z-axis mechanical assemblies inside the library used to move tape cartridges.

RS-232C

Short for Recommended Standard-232C, a standard interface approved by the Electronic Industries Association (EIA) for connecting serial devices. This standard is for asynchronous transfer between computer equipment and accessories. Data is transmitted bit by bit in a serial fashion. The RS-232 standard defines the function and use of all 25 pins of a DB-25 type connector.

SCSI

Small Computer System Interface. An American National Standards Institute (ANSI) communications standard for attaching peripheral equipment to computers.

SCSI ID

A unique address (0 to 15) assigned to each device on a SCSI bus.

SCSI-2

A second generation SCSI interface which includes command sets for magnetic and optical disks, tapes, printers, processors, CD-ROMs, scanners, medium changers, and communication devices.

SDLT

Super Digital Linear Tape is a Quantum tape drive and tape cartridge specification offered in three ranges of capacity and transfer rates for workgroup, mid-range, and enterprise needs.

SNMP

Short for *Simple Network Management Protocol*, a set of protocols for managing complex networks.

Take-up leader

The ring at the beginning of a tape in a cartridge.

Tape drive controllers

A device that controls the transfer of data from a host to a tape drive and vice versa.

Terabyte

A unit of measure for digital data equal to approximately 1,000 gigabytes, or 1,099,511,627,776 bytes!

Terminator

Special electrical resistors (terminators) are installed in the SCSI devices at each end of the SCSI bus and are **not** installed in other devices on the bus. The SCSI bus must be properly terminated at both ends so that commands and data can be transmitted to and from all devices on the bus.

Ultrium

See LTO-2

Index

A

antistatic mat [153](#)
ASCII [153](#)
ASCQ [153](#)
authorized reseller, HP [13](#)
Autoclean [22](#), [153](#)

B

back panel [18](#), [35](#)
backup [31](#)
bar code [49](#), [50](#), [51](#)
bit [153](#)
byte [153](#)

C

calibrate [153](#)
card cage [28](#)
cartridge slots [35](#)
check condition status [154](#)
CISPR 22 [154](#)
class 1 laser product [154](#)
class 2 laser product [154](#)
class A digital device [154](#)
cleaning, tape drives [22](#), [95](#)
climatic specifications [100](#)
conventions
 document [9](#)
 equipment symbols [10](#)
 text symbols [9](#)

D

devices
 supported [28](#)
 troubleshooting [91](#)
diagnostics [70](#)
document
 conventions [9](#)
 related documentation [8](#)

E

e2400-160 FC interface controller [28](#)
e2400-FC 2G interface controller [28](#)
elements [155](#)
EMI [155](#)
environmental specifications [100](#)
equipment symbols [10](#)
ESD [155](#)
ESD precautions [44](#)
Ethernet port
 LED indicators [30](#)
 location of [30](#)
external features
 e2400-160 FC interface controller [29](#)
 e2400-FC 2G interface controller [29](#)

F

FC connection, troubleshooting [90](#)
FC interface controller e2400-160 [28](#)
FC interface controller e2400-FC 2G [28](#)
FC LED indicators [31](#)
features of FC interface controller, external [29](#)
front panel [16](#)

G

getting help [13](#)

H

HBA device driver, troubleshooting [92](#)

help, obtaining [13](#)

host [33](#), [155](#)

host configuration, troubleshooting [92](#)

HP

authorized reseller [13](#)

storage web site [13](#)

technical support [13](#)

I

identifiers, bar code [52](#)

IEC [155](#)

inserting tape cartridges [73](#)

Interface Manager card [32](#)

inventory [21](#)

L

labels [49](#), [52](#)

LAN-free backup and restore [31](#)

LAN-free backup and restore, illustrated [32](#)

LED

link activity [83](#)

link speed [83](#)

LED indicators

defined [88](#)

Ethernet port [30](#)

FC [31](#)

power supply [30](#)

SCSI bus [31](#)

types of [88](#)

left panel [35](#)

library robotics [21](#)

library, relocating [103](#)

link activity LED [83](#)

link speed LED [83](#)

load port [155](#)

DLT/SDLT [26](#)

LTO [26](#)

tape cartridge magazines [26](#)

load slots [35](#)

LTO-2 [155](#)

LVD [155](#)

M

media picker [21](#)

messages, from library to host [129](#)

Model 630e [41](#)

Model 712e [40](#)

moving the library [103](#)

MSBF [155](#)

MTBF [155](#)

MTRR [155](#)

N

NEMAT [155](#)

NIC [155](#)

NVRAM [156](#)

O

OCP overview [60](#)

off-line [58](#)

on-line [58](#)

optical scanner [21](#)

P

panel

back [18](#), [35](#)

front [16](#)

left [35](#)

right [35](#)

slots [35](#)

PCI [156](#)

performance specifications [99](#)

physical specifications [98](#)

picker [21](#), [156](#)

- power
 - off [58](#)
 - on [58](#)
 - supply, LED indicators [30](#)
- preserving tape cartridges [95](#)
- R**
- rack stability, warning [12](#)
- related documentation [8](#)
- reliability specifications [99](#)
- relocating the library [103](#)
- reports [156](#)
- restore [31](#)
- right panel [35](#)
- robotics [21](#), [156](#)
- robotics card [28](#)
- RS-232C [156](#)
- S**
- SAN [31](#)
- scanner, optical [21](#)
- SCSI [156](#)
 - bus configuration, troubleshooting [90](#)
 - bus LED indicators [31](#)
- SCSI devices, troubleshooting [91](#)
- SCSI ID [156](#)
- SCSI-2 [156](#)
- SDLT [41](#), [157](#)
- sense data values
 - asc 00 [130](#)
 - asc 04 [130](#)
 - asc 08 [130](#)
 - asc 1A [130](#)
 - asc 20 [130](#)
 - asc 21 [130](#)
 - asc 24 [130](#)
 - asc 25 [131](#)
 - asc 26 [131](#)
 - asc 28 [131](#)
 - asc 29 [131](#)
 - asc 2A [132](#)
 - asc 30 [132](#)
 - asc 39 [132](#)
 - asc 3A [132](#)
 - asc 3B [133](#)
 - asc 43 [133](#)
 - asc 47 [133](#)
 - asc 4E [133](#)
 - asc 53 [133](#)
 - asc 5A [134](#)
 - asc 80 [134](#) to [136](#)
 - asc 81 [136](#)
 - asc 82 [136](#)
 - asc 83 [136](#)
 - asc 84 [137](#)
 - asc 85 [137](#)
 - asc 88 [138](#)
 - asc 8A [138](#)
 - asc 8B [138](#)
 - asc 8C [139](#)
 - asc 8E [139](#)
- serial port
 - configuration, troubleshooting of [92](#)
 - location of [30](#)
- server [33](#)
- shipping restraint [106](#)
- slots [40](#)
 - panel [35](#)
 - SDLT [41](#)
- SNMP [157](#)
- specifications
 - climatic [100](#)
 - environmental [100](#)
 - performance [99](#)
 - physical [98](#)
 - power [100](#)
 - reliability [99](#)
- standby power button, location of [30](#)
- storage area network [31](#)
- storage elements [40](#), [41](#)
- symbols in text [9](#)
- symbols on equipment [10](#)

T

- take-up leader [157](#)
- tape cartridges [73](#)
 - ESD precautions [49](#)
 - installing [55](#)
 - inventory [21](#)
 - labeling [49](#)
 - LTO Ultrium [23](#)
 - magazines [26](#)
 - maintaining [93](#)
 - preserving [95](#)
 - removing [105](#)
 - SDLT [25](#)
- tape drive controllers [157](#)
- tape drives
 - clean [22](#)
 - cleaning [95](#)
 - LTO Ultrium [23](#)
- technical support, HP [13](#)
- terabyte [157](#)
- terminator [157](#)
- text symbols [9](#)
- troubleshooting [75](#) to [82](#)
 - basic steps, listed [89](#)
 - devices, verifying [91](#)

- FC connection, verifying [90](#)
- FC interface controller problems [88](#)
- HBA device driver, verifying [92](#)
- host configuration, verifying [92](#)
- Interface Manager card problems [83](#)
- OCP problems [77](#)
- operating problems [80](#)
- robotics problems [78](#)
- SCSI bus configuration [90](#)
- SCSI devices, verifying [91](#)
- serial port configuration, verifying [92](#)
- tape drive problems [82](#)

U

- Ultrium [40](#), [155](#)

W

- warning
 - rack stability [12](#)
 - symbols on equipment [10](#)
- web sites
 - Command View ESL [20](#), [33](#), [34](#), [84](#)
 - HP storage [13](#)

Free Manuals Download Website

<http://myh66.com>

<http://usermanuals.us>

<http://www.somanuals.com>

<http://www.4manuals.cc>

<http://www.manual-lib.com>

<http://www.404manual.com>

<http://www.luxmanual.com>

<http://aubethermostatmanual.com>

Golf course search by state

<http://golfingnear.com>

Email search by domain

<http://emailbydomain.com>

Auto manuals search

<http://auto.somanuals.com>

TV manuals search

<http://tv.somanuals.com>