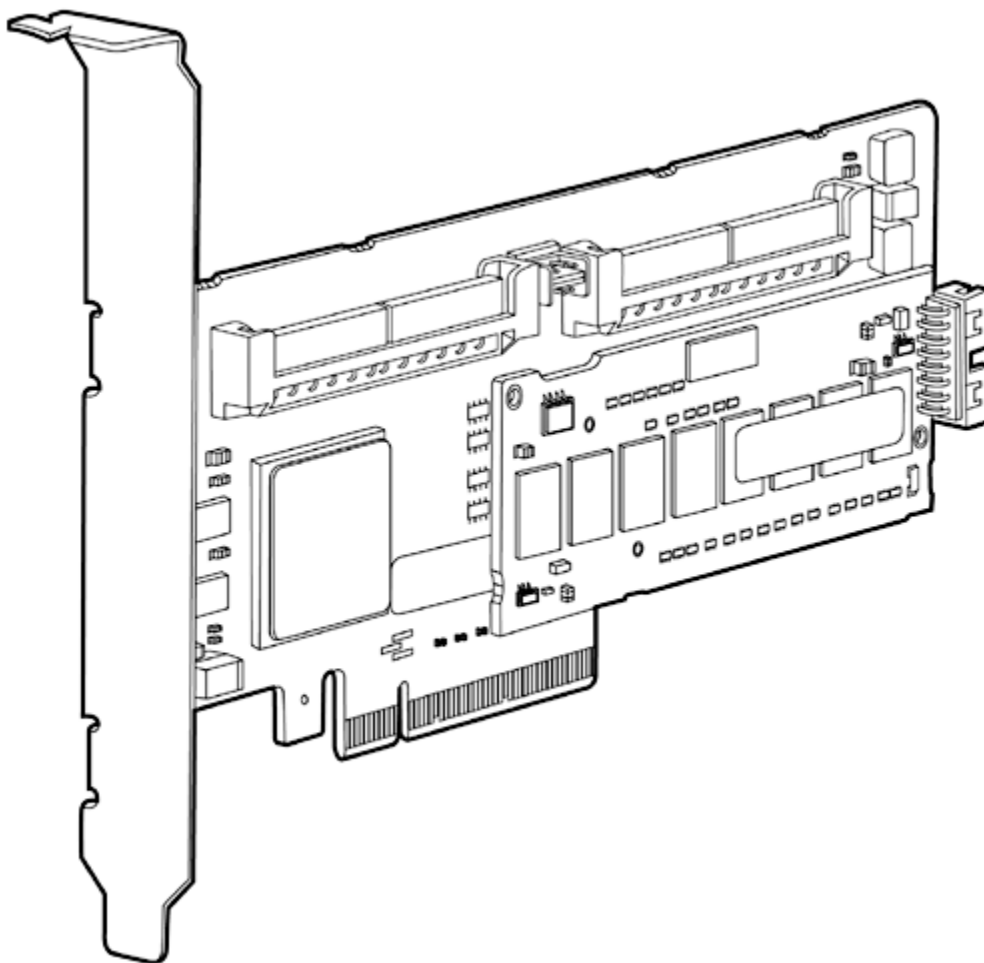


### Overview

The HP Smart Array P400 Serial Attached SCSI (SAS) controller (SA-P400) provides new levels of performance and reliability for HP servers, through its support of the latest SCSI technology and advanced RAID capabilities. The SA P400 is a high-performance PCI Express (PCIe) RAID controller with 8 internal Serial Attached SCSI ports available in a low-profile form factor or embedded (SA-P400i). It supports up to 512MB of battery-backed write cache (BBWC) and RAID Level 6 (ADG).



### Models

<b>HP Smart Array P400 Controller</b>	HP Smart Array P400/256MB Controller	405132-B21
	HP Smart Array P400/512MB Controller with BBWC	411064-B21

### Upgrade Options

<b>Battery Attach Kit</b>	Smart Array P400 Battery Attach Kit <b>NOTE:</b> This option kit contains a 24" battery cable and adhesive material for installing a battery into the following servers if a Smart Array P400 is integrated outside of the factory - HP ProLiant ML310 G3, HP ProLiant DL320 G4, HP ProLiant ML350 G5, HP ProLiant DL380 G5 (installations in a full size slot), and HP ProLiant DL580 G4. For all solutions, please refer to the HP ProLiant QuickSpecs and User's Manual for detailed installation instructions.	417836-B21
<b>Cache Upgrades</b>	Battery-backed write cache upgrade	383280-B21
	512MB Battery-backed write cache upgrade	405148-B21

### Standard Features

#### The Smart Array Advantage

HP's innovative design and integration work within the Smart Array family of products creates customer value that is unmatched in the industry. Use of Smart Array products across multiple applications results in a much lower Total Cost of Ownership (TCO) than any other server storage RAID product. The HP Smart Array family brings an unparalleled return on investment.

- Data Compatibility
- Consistent Configuration and Management Tools
- Universal Hard Drive
- Pre-Failure Warranty

#### Data Compatibility

Data Compatibility with past and future generations of Serial Smart Array controllers allows for simple and easy upgrades any time needs for higher performance, capacity, and availability increase.

#### Consistent Configuration and Management Tools

All Smart Array products utilize a standard set of management and utility software. These tools minimize Total Cost of Ownership (TCO) by reducing training requirements and technical expertise necessary to install and maintain HP server storage.

#### Universal Hard Drive

A universal hard drive is used across multiple HP ProLiant servers, disk enclosures and storage systems. With compatibility across many enterprise platforms, you are free to deploy and re-deploy these drives to quickly deliver increased storage capacity, migrate data between systems, and easily manage spare drives.

#### Pre-Failure Warranty

Pre-Failure Warranty means Systems Insight Manager not only reports when a drive is going to fail but allows replacement of failing drives prior to actual failure. For complete details, consult the HP Support Center or refer to your HP Server documentation.

#### Key Features

- The SA-P400 controller supports up to 18 drives. The SA-P400i supports up to 6 drives depending on the server implementation.
- Seamless upgrades from past generations and upgrades to next generation HP high performance and high capacity Serial Attached SCSI Smart Array controllers.
- 3G SAS technology delivers high performance and data bandwidth up to 300 MB/s per physical link and contains full compatibility with 1.5G SATA technology.
- x8 2.5G PCI Express host interface technology delivers high performance and data bandwidth up to 2 GB/s maximum bandwidth.
- Modular, easy-to-upgrade design lets you optimize performance by upgrading from 40-bit 256MB cache to 72-bit 512MB battery-backed write cache (BBWC).
- Addition of the battery backed cache upgrade enables BBWC, RAID 6 with ADG, array expansion, logical drive extension, RAID migration, and stripe size migration.
- Mix-and-match SAS and SATA hard drives, lets you deploy drive technology as needed to fit your computing environment.
- Software consistency among all Smart Array family products: Array Configuration Utility (ACU), Option ROM Configuration for Arrays (ORCA), Systems Insight Manager, Array Diagnostic Utility (ADU) and SmartStart.
- Support for up to 2TB in a single logical drive.
- Low-profile PCI Express form factor - ships with a full size bracket for deployment in either a low-profile or full sized slot.

### Standard Features

#### Management Features

- Online array expansion (with BBWC upgrade)
- Online logical drive extension (with BBWC upgrade)
- Online RAID level migration (with BBWC upgrade)
- Online strip size migration (with BBWC upgrade)
- Offline Mirror splitting and recombining
- Unlimited global online spare assignment
- User selectable expand and rebuild priority
- User selectable RAID level and stripe size
- User selectable read and write cache sizes

#### Ports

- Eight (8) SAS physical links distributed across 2 internal x4 wide port connectors.

#### Performance

HP's High Performance Architecture sets new boundaries of industry performance expectations!

- 3G SAS (300MB/s bandwidth per physical link)
- x8 3G SAS physical links (compatible with 1.5G SATA)
- 256 MB 40-bit wide DDR2-533MHz cache upgradeable to 512 MB 72-bit wide DDR2-533MHz battery-backed cache provides up to 4.2 GB/s maximum bandwidth
- x8 2.5G PCI Express host interface provides 2 GB/s maximum bandwidth
- 440 PowerPC Processor
- Read ahead caching
- Write-back caching (with battery-backed write cache upgrade)

#### Capacity

Given the increasing need for high performance and rapid capacity expansion, the SA-P400 offers:

- Up to 2TB of total storage with SATA HDD
- Up to 2.628TB of total storage with 18 x 146GB SFF SAS HDD

#### Availability

Provides increased server uptime by providing advanced storage functionality:

- Online RAID level migration (between any RAID level)
- Online stripe size migration
- Online array expansion
- Online logical drive extension
- Online drive firmware upgrade
- Unlimited global online spare
- Pre-Failure Warranty

#### Fault Prevention

The following features offer detection of possible failures before they occur, allowing preventive action to be taken:

- S.M.A.R.T.: Self Monitoring Analysis and Reporting Technology first developed at HP detects possible hard disk failure before it occurs, allowing replacement of the hard drive before a real failure occurs.
- Drive Parameter Tracking monitors drive operational parameters, predicting failure and notifying the administrator.
- Dynamic Sector Repairing continually performs background surface scans on the hard disk drives during inactive periods and automatically remaps bad sectors, ensuring data integrity.
- Smart Array Cache Tracking monitors integrity of controller cache, allowing pre-failure preventative maintenance.

### Standard Features

#### Fault Tolerance

Keeps data available and server running while a failed drive is being replaced; several fault tolerance configurations are supported including:

- **RAID 6 with ADG** (Advanced Data Guarding): This is the highest level of fault tolerance. It allocates two sets of parity data across drives and allows simultaneous write operations. This level of fault tolerance can withstand two simultaneous drive failures without downtime or data loss.
- **RAID 5** (Distributed Data Guarding): This allocates one set of parity data across drives and allows simultaneous write operations. This level of fault tolerance can withstand a single drive failure without downtime or data loss.
- **RAID 1, 1+0** (Drive Mirroring): This allocates half of the drive array to data and the other half to mirrored data, providing two copies of every file. It is a high-performance RAID.

#### Fault Recovery

Minimizes downtime, reconstructs data, and facilitates a quick recovery from drive failure

- **Recovery ROM**: This feature protects the user from a firmware image corruption by storing a redundant copy of the firmware image. If the active firmware image becomes corrupt, the controller will use the redundant firmware image and continue operating.
- **On-Line Spares**: There is no limit to the number of spare drives that can be installed prior to drive failure. If a failure occurs, recovery begins with an On-Line Spare and data is reconstructed automatically.
- **DRAM ECC** detects and corrects data bit errors.
- **Battery-backed write cache upgrade** provides for up to two days of battery power for data cache retention. The data backup duration could be extended anytime the server's auxiliary power is available during system power down.

#### Ease of Use

Consistency and Upgradeability make the Smart Array family unique in the industry:

- GUI based configuration, management and diagnostic software tools
- Common data format between generations of products
- Data migration between servers and external StorageWorks Modular Smart Array enclosures

### Compatibility

**Servers** For up to date compatibility, please see the following URL for complete Smart Array P400 Controller compatibility and support information:  
<http://h18006.www1.hp.com/products/servers/proliantstorage/arraycontrollers/index.html>

**Operating Systems**

- Microsoft® Windows™ 2000 Server
- Microsoft Windows 2000 Advanced Server
- Microsoft Windows 2003 / R2 Standard Edition
- Microsoft Windows 2003 / R2 Enterprise Edition
- Microsoft Windows 2003 / R2 Standard x64 Edition
- Microsoft Windows 2003 / R2 Enterprise x64 Edition
- Microsoft Windows 2003 / R2 SBS
- Novell Open Enterprise Server, NetWare 6.5 SP5
- Red Hat Enterprise Linux 3 (AMD64/EM64T)
- Red Hat Enterprise Linux 3 (x86)
- Red Hat Enterprise Linux 4 (AMD64/EM64T)
- Red Hat Enterprise Linux 4 (x86)
- SUSE LINUX Enterprise Server 9 (AMD64/EM64T)
- SUSE LINUX Enterprise Server 9 (x86)
- SCO OpenServer 5.0.7, 6
- SCO UnixWare 7.1.3, 7.1.4
- Solaris 10
- VMWare ESX 3.0

**Software Suite** All Smart Array products share a common set of configuration, management and diagnostic tools, including Array Configuration Utility, Array Diagnostic Utility (ADU), and Systems Insight Manager. This software consistency of tools reduces the cost of training for each successive generation of product and takes much of the guesswork out of troubleshooting field problems. These tools lower the total cost of ownership by reducing training and technical expertise necessary to install and maintain HP server storage.

#### **Systems Insight Manager**

- Powerful server and server options/storage manager tool
- Monitors over 1200 system wide parameters
- Configuration/Diagnostic Utilities

#### **HP Array Configuration Utility (ACU)**

- Powerful Web based configuration utility for all Smart Array controllers
- Provides a graphical view of HP drive array configurations
- Allows for management of multiple arrays over a secure internet connection from anywhere in the world
- Easy to use Wizards for configuration
- Runs offline for all supported Operating Systems and runs online for Windows and Linux. For online configuration of NetWare, use CPQONLIN

#### **HP Option ROM Configuration for Arrays (ORCA)**

- A simple method for managing logical drives during system power up by pressing F8 during POST
- Allows the ability to create arrays, logical drives, and assign an online spare drive
- Allows the ability to view and delete logical drives
- Allows the ability to select the boot controller
- For advanced array configurations use ACU

#### **HP Array Diagnostic Utility (ADU)**



### *Compatibility*

- In depth diagnostic and reporting utility for all Smart Array controllers
- Runs offline for all supported Operating Systems, and runs online for Windows and Linux

### Service and Support, HP Care Pack, and Warranty Information

<b>Warranty</b>	<p>The warranty for this device is 3-years parts only.</p> <p><b>Pre-Failure Warranty:</b> Drives attached to the Smart Array Controller and monitored under Insight Manager are supported by a Pre-Failure (replacement) Warranty. For complete details, consult the HP Support Center or refer to your HP Server Documentation.</p>
<b>Software Product Services</b>	<p>Standalone telephone support</p> <p>Rights to new license version</p> <p>Media and documentation updates</p>
<b>Hardware Product Services</b>	<p>Installation services</p> <p>On-site maintenance (includes warranty support)</p> <p>Response time upgrades during the warranty period</p> <p>Post-warranty coverage</p> <p>For additional hardware installation and maintenance information, please refer to the URL listed below:</p> <p><a href="http://www.hp.com/hps/hardware/">http://www.hp.com/hps/hardware/</a></p>
<b>Warranty Upgrade Options</b>	<p>Response - Upgrade on-site response from next business day to same day 4 hours</p> <p>Coverage - Extend hours of coverage from 9 hours x 5 days to 24 hours x 7 days</p> <p>Duration - Select duration of coverage for a period of 1, 3, or 5 years</p> <p>Warranty upgrade options can come in the form of Care Packs, which are sold at the HP System level this product attaches too.</p>
<b>HP Care Pack Information</b>	<p>HP Care Pack is defined as an upgrade to the product warranty attribute, available for a specific duration and hours of coverage. Care Packs for this option is sold at the system level this option attaches too.</p> <p>HP Care Pack is not available for less than the product's warranty duration.</p> <p>HP Care Pack is available for sale anytime during the warranty period for most products, but the commencement date will be the same as the Warranty Start Date (delivery date to end user customer). Proof of purchase may be required.</p> <p>HP Care Pack services are prepaid.</p> <p>For additional HP Care Pack (hardware &amp; software) information, as well as orderable part numbers, please refer to the URL <a href="http://www.hp.com/hps/carepack/">http://www.hp.com/hps/carepack/</a></p>

### Related Options

#### Hard Drives

##### Serial Attached SCSI (SAS) SFF Hot Plug

HP 36GB 3G SAS 10K SFF HDD	375859-B21
HP 72GB 3G SAS 10K SFF HDD	375861-B21
HP 146GB 3G SAS 10K SFF SP HDD	431958-B21

##### SAS Hot Plug

HP 36GB 3G SAS 15K 3.5" HDD	375868-B21
HP 72GB 3G SAS 15K 3.5" HDD	375870-B21
HP 146GB 3G SAS 15K 3.5" HDD	375872-B21

##### Serial-ATA (SATA) SFF Hot Plug

HP 60GB 1.5G SATA 5.4K SFF HDD	379306-B21
--------------------------------	------------

##### SATA Hot Plug

HP 80GB 1.5G SATA 7.2K 3.5" HDD	349237-B21
HP 160GB 1.5G SATA 7.2K 3.5" HDD	349238-B21
HP 250GB 1.5G SATA 7.2K 3.5" HDD	349239-B21
HP 500GB 1.5G SATA 7.2K 3.5" HDD	395473-B21

##### SATA Non-Hot Plug

HP 250GB 1.5G SATA 7.2K NHP 3.5" HDD	411276-B21
HP 160GB 1.5G SATA 7.2K NHP 3.5" HDD	411275-B21
HP 80GB 1.5G SATA 7.2K NHP 3.5" HDD	383410-B21

**NOTE:** Go to the [HP Hard Drive Compatibility table](http://www.hp.com/products/harddiskdrives) for complete drive compatibility information (<http://www.hp.com/products/harddiskdrives>). Using hard drives in unsupported configurations will result in voiding the warranty and could result in damage to the drive and/or loss of data.

**NOTE:** There is a known compatibility issue with some early 3.5" SATA HDD that will make them unable to be used with the SA-P400 controller. Customers should verify that they are not using hard drive part number 332649-002/003 (spare 353042-001), 332650-002/003 (spare 353043-001), or 356536-002/003 (spare 353044-001).



### Technical Specifications

<b>Dimensions</b> (not including bracket)	Low Profile PCIe Form Factor 6.61 in x 2.75 in x 0.7 in (16.8 cm x 7.0 cm x 1.8 cm)
<b>Disk Drive and Enclosure Interface</b>	3G SAS (Serial Attached SCSI) 1.5G SATA (Serial ATA)
<b>SAS Connectors</b>	2 internal (SFF8484) x4 wide port connectors
<b>Cache Memory Speed</b>	DDR2-533MHz with 40 or 72-bit wide bus provides up to 4.2 GB/s maximum bandwidth.
<b>Server Interface</b>	x8 2.5G PCIe provides 2GB/s maximum bandwidth.
<b>SAS Speed</b>	x8 3G SAS provides 2.4GB/s maximum bandwidth.
<b>Cache Memory</b>	40-bit 256MB ECC protected cache (72-bit 512MB module upgrades available); transportable with battery-backed upgrade
<b>Logical Drives Supported</b>	Up to 32 logical drives
<b>Maximum Logical Drive Capacity</b>	2TB
<b>Host Memory Addressing</b>	64-bit, supporting greater than 4GB server memory space
<b>RAID Support</b>	RAID 6 with ADG (Advanced Data Guarding) requires Battery Backed Write Cache Upgrade RAID 5 (Distributed Data Guarding) RAID 1+0 (Striping & Mirroring) RAID 0 (Striping)
<b>Upgradeable Firmware</b>	Upgradeable Firmware with recovery ROM feature

© Copyright 2006 Hewlett-Packard Development Company, L.P.

The information contained herein is subject to change without notice. Microsoft and Windows are registered trademarks or trademarks of Microsoft Corporation in the U.S. and/or other countries. The only warranties for HP products and services are set forth in the express warranty statements accompanying such products and services. Nothing herein should be construed as constituting an additional warranty. HP shall not be liable for technical or editorial errors or omissions contained herein.

For hard drives, 1 GB = 1 billion bytes. Actual formatted capacity is less.

## Free Manuals Download Website

<http://myh66.com>

<http://usermanuals.us>

<http://www.somanuals.com>

<http://www.4manuals.cc>

<http://www.manual-lib.com>

<http://www.404manual.com>

<http://www.luxmanual.com>

<http://aubethermostatmanual.com>

Golf course search by state

<http://golfingnear.com>

Email search by domain

<http://emailbydomain.com>

Auto manuals search

<http://auto.somanuals.com>

TV manuals search

<http://tv.somanuals.com>