

HP 600 Fax series User Guide



HP 600 Fax series

User Guide

Part number: CB846-90001



© Copyright 2008 Hewlett-Packard Development Company, L.P.

The information contained herein is subject to change without notice. No part of the document may be photocopied, reproduced, or translated to another language without the prior written consent of Hewlett-Packard Company.

Notice

The only warranties for HP products and services are set forth in the express warranty statements accompanying such products and services. Nothing herein should be construed as constituting and additional warranty. HP shall not be liable for technical or editorial errors or omissions contained herein.

The Hewlett-Packard Company shall not be liable for incidental or consequential damages in connection with, or arising out of the furnishing, performance, or use of this document and program material which it describes.

Note: Regulatory information can be found in the Specification section of this guide.



It is not lawful in many places to make copies of the following items. When in doubt, check with a legal representative first.

- Governmental paper or documents
 - Passports
 - Immigration papers
 - Selective service papers
 - Identification badges, cards or insignias
- Governmental stamps:
 - Postage stamps
 - Food stamps

- Checks or drafts drawn on Governmental agencies
- Paper currency, traveler's checks, or money orders
- Certificates of deposit
- Copyrighted works

Safety information

WARNING! To prevent fire or shock hazard, do not expose this product to rain or any type of moisture.

Always follow basic safety precautions when using this product to reduce risk of injury from fire or electric shock.

WARNING! Potential shock hazard

- Read and understand all instructions in the setup poster.
- Telephone lines can develop hazardous voltages. To avoid electrical shock, do not touch the contacts on the end of the cord, or any of the sockets on the HP Fax. Replace damaged cords immediately.
- Never install telephone wiring during a lightning storm.
- Observe all warnings and instructions marked on the product.
- Unplug this product from wall outlets and telephone jacks before cleaning.
- Do not install or use this product near water or when you are wet.
- Install the product securely on a stable surface.
- Install the product in a protected location where no one can step on or trip over the line cord, and where the line cord will not be damaged.
- If the product does not operate normally, see the Troubleshooting section of this user guide.
- No operator-serviceable parts inside. Refer servicing to qualified service personnel.
- Use in a well ventilated area.

Contents

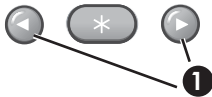
1 Quick start	1
Load paper	1
Load documents to fax or copy.	2
Send a fax.	2
Receive a fax.	3
Make a copy	3
Make a telephone call	4
Set up faxing for the HP Fax	5
2 HP Fax basics	7
The HP 600 Fax	8
Parts of the HP Fax.	8
Control Panel of HP Fax	10
The menus	12
Overview of menu options	13
BASIC FAX menu	13
ADVANCED FAX menu	15
TOOLS menu	16
Loudspeaker	16
Navigate the menus	17
Ready mode	17
Menu buttons	17
Enter dates, times, text, and telephone numbers	18
Most text fields	18
Fax header telephone number.	19
Speed dialing	20
Store a number in the phone book.	20
Print the phone book	21
Dial from the phone book	21
One-touch dialing	21
Phone book dialing.	21
Paper types and sizes	22
Document types and sizes	23
Set document resolution and contrast for a single copy	24
Adjust volume	25
Ringer volume	25
Speaker volume.	25
Automatic fax redial	25
Receiving via an extension telephone	26

3 Additional features	27
Set rings to answer	27
Use Caller ID	28
Turn Caller ID on	28
See who called with Caller ID	28
Print a list of Caller ID numbers.	28
Block junk fax numbers.	28
Add a junk fax number	29
Delete a number.	29
Favorites.	29
Save a document	29
Delete a document	30
Send a document	30
Print a document.	30
Image TCR	30
Distinctive ring (DRPD)	31
Step 1—Teach the HP Fax the ring pattern.	31
Step 2—Set up distinctive ring (DRPD) answer mode.	32
Answer/receive mode	32
4 Advanced faxing	35
Broadcasting.	35
Delayed fax	36
Polling	36
Setting send polling	37
Polling another fax to receive	37
To cancel the scheduled job	38
Forward faxes.	38
5 Feature reference	41
Set the date and time	41
Turn on and off sounds.	41
WakeUp sounds.	41
Alarm sounds	42
Key sounds	42
Silent mode	42
Set the fax header information	42
Print reports	43
Automatic reports	43
Reports you can print	43
Reprinting faxes	44
Clearing memory.	45
Loudspeaker	46
Redial a number in memory	46

6 Care and maintenance	47
Print cartridge information	47
View ink level	47
Print the self test	48
Replace the print cartridge.	48
Clear jammed documents and paper	50
Document jams during transmission	50
To clear document jam:	51
Paper jams during printing	51
If the paper is jammed in the printing area.	51
If the paper is jammed in the paper feed area	51
Maintain the print cartridge	52
Clean the print cartridge.	52
Wipe the print cartridge contacts.	52
Clean the contacts	52
Clean the cartridge carrier contacts	53
Clean the document scanner area	54
Adjust the scanner	56
LCD error messages	56
Troubleshooting	59
Fax problems	59
Print quality problems.	61
Paper feeding problems	62
7 Specifications and regulatory information	63
Paper types and sizes	63
Document types and sizes	63
Acceptable documents	63
Print cartridge	64
Product specifications	64
A sample of ITU #1 test chart (reduced to 60.5%)	66
Environmental product stewardship program	67
Disposal of waste equipment by users in private households in the European Union	68
Regulatory notices	69
Noise emission statement for Germany	69
Notice to users in the European Economic Area	69
Use Hewlett-Packard support services	70
Declaration of Conformity	71
Hewlett-Packard LIMITED WARRANTY STATEMENT	72

1 Quick start

This chapter gives you a quick introduction to the basic functions of your new fax machine. Please refer to the later chapters for detailed instructions.



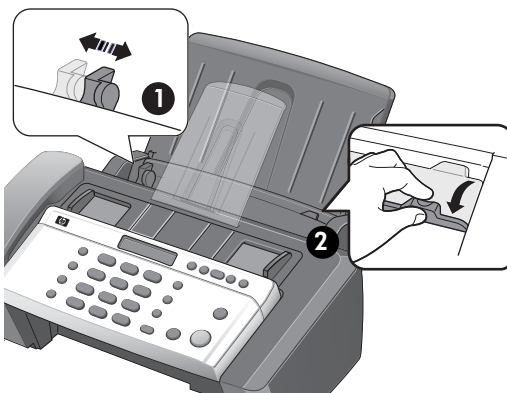
- 1 The “arrow buttons” located at the left and right of **OK** button on the control panel are designated by ◀ ▶ in the instructions.

Load paper

You can load up to 40 sheets of plain paper in the input tray. Before loading the paper, make sure the paper size is set correctly in the **BASIC FAX** menu. For more information, see **Paper Size** on page 13.

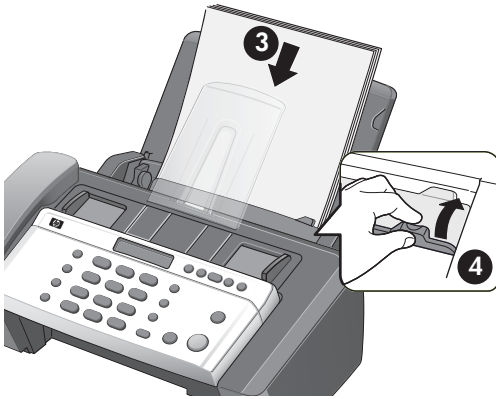
The HP Fax is designed to work with a variety of plain papers (cotton bond 75–90 g/m² (20–24 lb.)) in A4, Letter, and Legal sizes.

TIP: Some papers have a side that’s been conditioned for printing. The “print side” is indicated on the paper’s packaging. Always load with the print side facing you.



- 1 Slide the Paper Guide to Ltr or A4 paper width. Be sure not to bind the paper stack.
- 2 Pull the Paper Tray Cover toward you to open it.

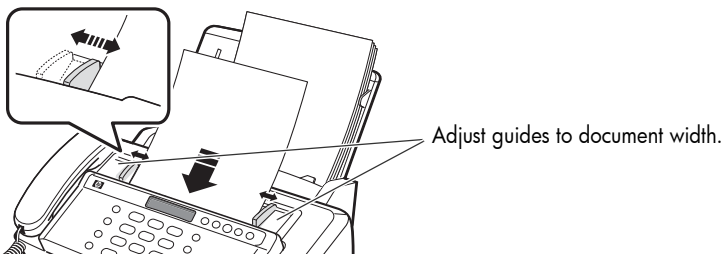
NOTE: You must open the Paper Tray Cover to properly insert the paper.



- 3 Fan, neatly stack, then insert up to 40 sheets of paper with the print side facing you.
- 4 Push the Paper Tray Cover back into place.

Load documents to fax or copy

You can load up to 10 pages in the document feeder. Load the documents face down (printed side toward the machine).



Send a fax

1. Place the document to be sent (up to 10 pages) in the document feeder.
2. Dial the number by using one of these methods:
 - Entering the number and pressing **Start**.
 - Lifting the handset, entering the number, and pressing **Start**.
 - Using the **Loudspeaker** button to listen as you dial, then pressing **Start**.
 - Pressing and holding a One Touch button. For more information, see **One-touch dialing** on page 21.
 - Pressing the **Speed Dial** button, when Search & Dial appears in the display, press **OK** and search for the number. When the correct number appears, press **Start**. For more information, see **Phone book dialing** on page 21.

NOTE: One touch and speed dial locations must have been previously programmed.
For more information, see **Store a number in the phone book** on page 20.

Receive a fax

How faxes are received depends on how the Answer Mode/Receive Mode is set. For more information, see **Set rings to answer** on page 27.

FAX or TAM answer mode

The fax machine will answer the telephone, automatically detect fax tones, and receive a fax.

TIP: However, if you accidentally answer the telephone and hear fax tones, press the **Start** button to receive the fax.

AUTO answer mode

In AUTO mode the telephone rings for a certain number of rings (see **Set rings to answer** on page 27), then switches to FAX receiving.

TEL answer mode

If the answer Mode is set to TEL, you must manually receive faxes.

1. Answer the telephone.
2. If you hear fax tones, press the **Start** button.
3. Once you hear fax tones from both machines (this may take several seconds), you should hang up the telephone.

Make a copy

You can make multiple copies of a 10 page document.

Single copy—default settings

1. Turn the page face down and insert it into the document feeder.
2. Press **Copy** twice.

Make a telephone call

Multiple copies or copies with options/settings

1. Turn the page face down and insert it into the document feeder.
2. Press **Copy**.
Number of Copies then 01 [01-40] will display.
3. If you want more than one copy, use the phone pad to enter the number of copies.
4. Press **Copy** to start copying or press **OK** to go to the next option.
Zoom Rate then 97% will display.
5. Press ◀ ▶ to select the reduction or enlargement percentage you want (50 – 150).
6. Press **Copy** to start copying or press **OK** to go to the next option.
Print Order then Normal will display.
7. Press ◀ ▶ to select **Reverse** if you want the last page printed first.
Printing the copies in reverse order will cause the first page to be on top when the copy is complete.
8. Pressing either **Copy** or **OK** will start copying.

Make a telephone call

Use one of the following methods:

- Pick up the handset and dial the number.
- Press and hold a One Touch number. This turns on the speaker. When you are connected, pick up the handset. For more information, see **One-touch dialing** on page 21.
- Press the **Speed Dial** button, when **Search & Dial** appears in the display, press **OK** and search for the number. When the correct number appears, press **Start**. This turns on the speaker. When you are connected, pick up the handset. For more information, see **Phone book dialing** on page 21.

NOTE: One touch and speed dial locations must have already been entered before you can use them. For more information, see **Store a number in the phone book** on page 20.

Set up faxing for the HP Fax

After completing all the steps in the setup poster, use the instructions in this section to complete your fax setup. Keep your setup poster for later use.

In this section, you will learn how to set up the HP Fax so that faxing works successfully with equipment and services you might already have on the same phone line.

Set up faxing (parallel phone systems)

Before you begin setting up the HP Fax for faxing, determine which kind of phone system your country/region uses. The instructions for fax setup differ depending on whether you have a serial- or parallel-type phone system.

- If you do not see your country/region listed in the table below, you probably have a serial-type phone system. In a serial-type phone system, the connector type on your shared telephone equipment (modems, phones, and answering machines) does not allow a physical connection to the **EXT.** port on the HP Fax. Instead, all equipment must be connected at the telephone wall jack.

NOTE: In some countries/regions that use serial-type phone systems, the phone cord that came with the HP Fax might have an additional wall plug attached to it. This enables you to connect other telecom devices to the wall jack where you plug in the HP Fax.

- If your country/region is listed in the table below, you probably have a parallel-type telephone system. In a parallel-type phone system, you are able to connect shared telephone equipment to the phone line by using the **EXT.** port on the HP Fax.

NOTE: If you have a parallel-type phone system, HP recommends you use the 2-wire phone cord supplied with the HP Fax to connect it to the telephone wall jack.

Countries/regions with a parallel-type phone system

Argentina	Australia	Brazil
Canada	Chile	China
Colombia	Greece	India
Indonesia	Ireland	Japan
Korea	Latin America	Malaysia
Mexico	Philippines	Poland
Portugal	Russia	Saudi Arabia
Singapore	Spain	Taiwan
Thailand	USA	Venezuela
Vietnam		

If you are unsure which kind of telephone system you have (serial or parallel), check with your telephone company.

Serial-type fax setup

For information on setting up the HP Fax for faxing using a serial-type phone system, see the Fax Configuration Web site for your country/region.

Austria	www.hp.com/at/faxconfig
Germany	www.hp.com/de/faxconfig
Switzerland (French)	www.hp.com/ch/fr/faxconfig
Switzerland (German)	www.hp.com/ch/de/faxconfig
United Kingdom	www.hp.com/uk/faxconfig
Finland	www.hp.fi/faxconfig
Denmark	www.hp.dk/faxconfig
Sweden	www.hp.se/faxconfig
Norway	www.hp.no/faxconfig
Netherlands	www.hp.nl/faxconfig
Belgium (Dutch)	www.hp.be/nl/faxconfig
Belgium (French)	www.hp.be/fr/faxconfig
Portugal	www.hp.pt/faxconfig
Spain	www.hp.es/faxconfig
France	www.hp.com/fr/faxconfig
Ireland	www.hp.com/ie/faxconfig
Italy	www.hp.com/it/faxconfig

2 HP Fax basics

This chapter lists the basic features of your new HP Fax and introduces you to the machine.

The HP Fax features

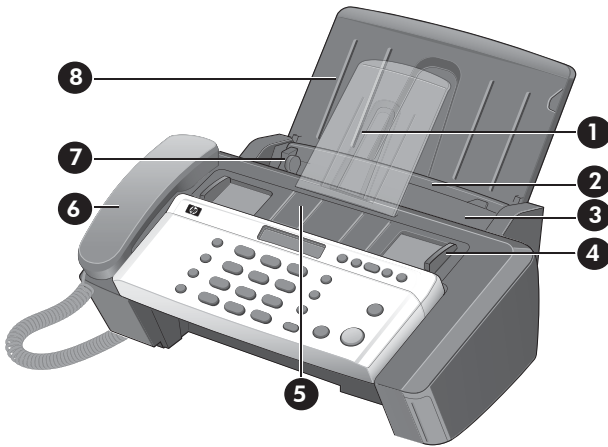
The HP Fax offers the following features:

- 40 page fax memory
- 40 page paper tray
- 10 page document feeder
- Favorites capability: Scan the entire document into memory before sending (see page 29).
- 100 speed dialing locations (including 10 One-Touch speed dials) (see page 20).
- Distinctive Ring (DRPD) capability: Multiple numbers on the same phone line that are differentiated by ring pattern (see page 31).
- Broadcasting: Send the same document to multiple destinations (see page 35).
- Fax forwarding: Forward documents to another fax machine (see page 38).
- Delayed fax: Send the document at a later time (see page 36).
- Send/Receive Polling: Retrieve a waiting fax or hold a fax to be picked up (see page 36).
- Caller ID (see page 28).
- Last 10 number redial (see page 46).
- Junk fax blocking (with Caller ID) (see page 28).
- Reports to help you manage your work (see page 43).

The HP 600 Fax

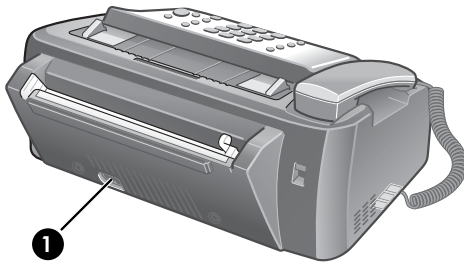
Parts of the HP Fax

Figure 2-1 Front view



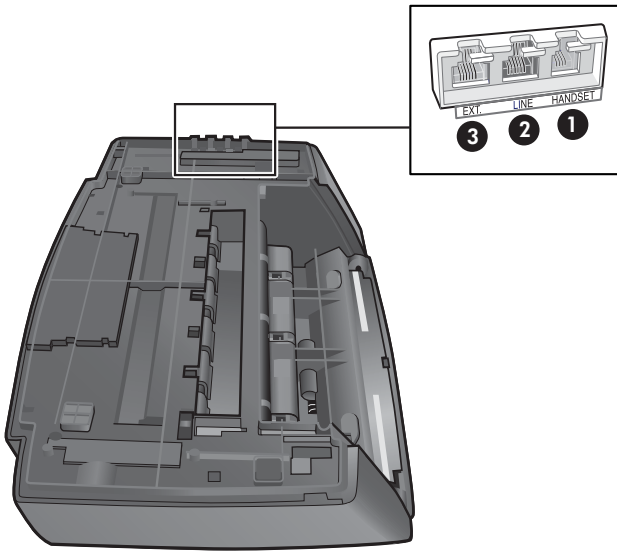
- 1 Document support
- 2 Paper tray
- 3 Paper tray cover
- 4 Document guide
- 5 Document feeder
- 6 Handset
- 7 Paper guide
- 8 Paper support

Figure 2-2 Rear view



- 1 Power cord socket

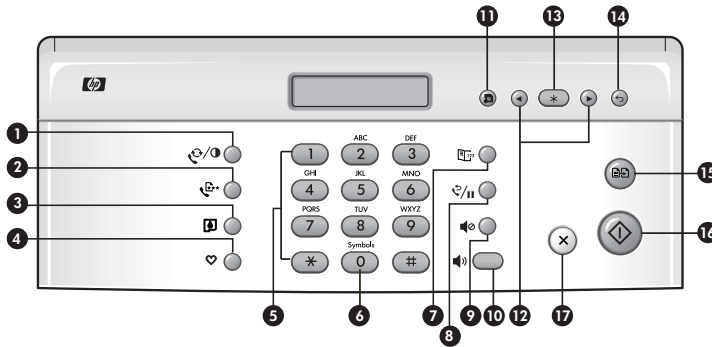
Figure 2-3 Bottom view













- 1 Connect handset to the **HANDSET** port.
- 2 Connect telephone line to the **LINE** port.
- 3 Connect answering machine or extension phone to the **EXT.** port. (For parallel-type phone system only.)

Control Panel of HP Fax

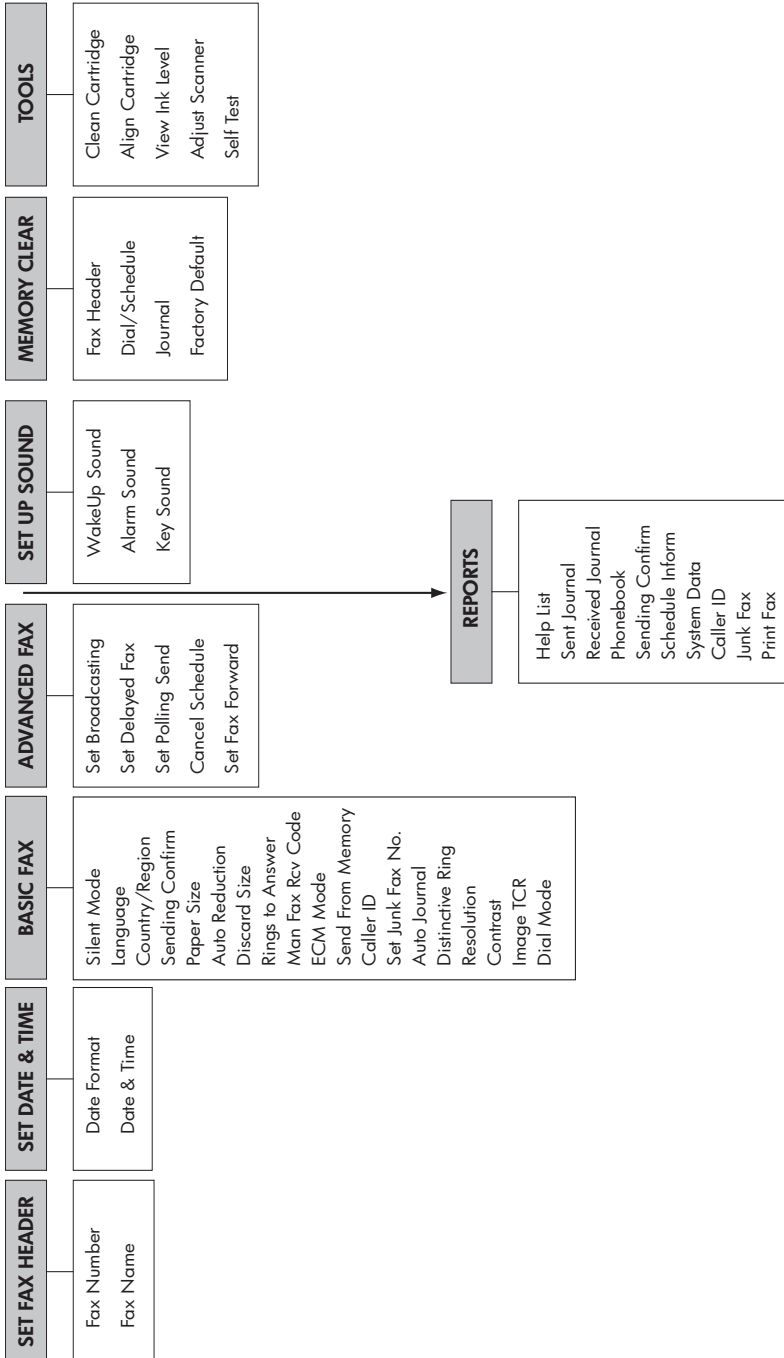
Figure 2-4 Control panel of HP Fax



Label	Icon	Name and Description
1		<p>Mode/Contrast:</p> <ul style="list-style-type: none"> When no document is loaded, pressing this button changes the Receive Mode. See Answer/receive mode on page 32. When a document is loaded, pressing this button changes the contrast for faxing and copying.
2		<p>Resolution: Improves the clarity of a document that you are faxing or copying.</p>
3		<p>Access Cartridge: Moves the print cartridge to the center so it can easily be replaced.</p>
4		<p>Favorites: Enables you to store documents that are frequently faxed and send them to selected fax numbers without the originals. Press Favorites repeatedly to save, delete, send or print the documents.</p>
5		<p>Number keypad: Dials telephone and fax numbers and enters letters and symbols in text fields. The phone key pad is also used for one-touch dialing.</p>
6		<p>Symbols: [The 0 key]. Used to enter special characters when entering a name in a text field.</p>
7		<p>Speed Dial: Stores and dials 100 telephone/fax numbers.</p>

Label	Icon	Name and Description
8		<p>Redial/Pause:</p> <ul style="list-style-type: none"> Automatically redials the last number or allows you to select one of the last 10 numbers to redial. Adds a pause while entering a speed dial number.
9		<p>Mute: Mutes the telephone during a telephone call.</p>
10		<p>Loudspeaker: Allows you to listen to the telephone while dialing without lifting the handset. Allows you to listen only. There is no speakerphone capability.</p>
11		<p>Menu: Displays the options available for your HP Fax.</p>
12		<p>Scroll/Volume:</p> <ul style="list-style-type: none"> When you are entering numbers or text, moves the cursor to the digit or character to be edited. When Menu has been pressed, displays the next and previous menu options. Referred to as the arrow keys in text and are designated by: ◀ ▶ . When no other button has been pressed, adjusts the ringer volume. If the handset is off hook, adjusts the handset volume. When Loudspeaker has been pressed, adjusts the speaker volume.
13		<p>OK: Accepts the selection shown in the display.</p>
14		<p>Back: Allows you to return to the previous menu level.</p>
15		<p>Copy:</p> <ul style="list-style-type: none"> Press twice to copy a document with the default copy settings. Press once then set options. Press OK between options. Press Copy to copy the document.
16		<p>Start: Starts a fax job.</p>
17		<p>Cancel:</p> <ul style="list-style-type: none"> In a Menu, stops an operation and returns to Ready mode. When entering text or numbers: <ul style="list-style-type: none"> Press once to backspace delete numbers or letters when editing. Hold down to delete entire field. Press again after holding down to return to Ready mode.

The menus



Overview of menu options

Your fax machine has settings that you can change. To find out how the options are currently set, print the System Data report (see **Print reports** on page 43).

To change these settings, see **Navigate the menus** on page 17.

The tables below shows the options for a menu in the left column and their setting choices in the right column.

BASIC FAX menu

Option	Settings
Silent Mode	You can turn off the machine sounds either manually or on a daily schedule (for example, to turn off the sounds after work hours and overnight). The settings are: Off, On-Always, and On-Daily. For more information, see Silent mode on page 42.
Language	There are 9 languages you can use for display and reports: English, German, French, Italian, Spanish, Portuguese, Dutch, Polish and Russian.
Sending Confirm	A confirmation report shows whether the transmission was successful or not, how many pages were sent, etc. ON: prints a confirmation report automatically each time you send a fax. OFF: never prints a confirmation report (You can print one manually (see Print reports on page 43)). ERROR: prints only when an error occurs. Note that this report can include the Image TCR (see Image TCR on page 30).
Paper Size	A4, Letter and Legal are the paper sizes you can use to receive faxes and copy.
Auto Reduction	When receiving a document as long as or longer than the paper loaded, the machine can automatically reduce the data to fit your paper. If the fax machine cannot fit the data into one page with the feature enabled, the data is divided and printed in actual size on two or more sheets. The settings are On and Off.

Option	Settings
Discard Size	If you turn the Automatic Reduction option off, you can set the fax machine to discard any excess image at the bottom of the page when receiving a document as long as or longer than the paper loaded in your machine. If the incoming fax is out of the margin you have set, it will be printed on two sheets of paper. The Discard Size can be 00 to 30 mm.
Rings To Answer	You can select the number of rings before answering an incoming call. If you are using your machine as both a telephone and a fax machine (AUTO or TAM mode), we suggest you set the ring count to at least 4 to give you time to answer. The number of rings can be 2 to 7. Note that TAM mode can only be used with a separate answering machine.
Man Fax Rcv Code	The Manual Fax Receive Code allows you to start receiving a fax from an extension phone. If you pick up the extension phone and hear a fax tone, enter the code and the fax will start receiving. You cannot change the * *, just the number between them. The code can be 0 to 9.
ECM Mode	Error correction mode compensates for poor line quality and ensures accurate, error-free transmission with any other ECM-equipped facsimile machine. If the line quality is poor, transmission time may be increased when ECM is enabled. The settings are On and Off.
Caller ID	You can see the number of the person calling you. Before using this feature, Caller ID service must be installed on your telephone line by the telephone company. The settings are On, On w/ Junk Fax, and Off. For more information, see Use Caller ID on page 28.
Set Junk Fax No.	If you have Caller ID set to On w/ Junk Fax, you can block faxes from particular numbers. You must have received a fax from that number to block it. Even though you have added junk fax numbers, if you turned off the Caller ID option above, the Junk Fax protection will be removed. The settings are Add and Delete.
Auto Journal	The Auto Journal shows the specific information concerning transmission or reception activities, the time and date of most recent 40 transmissions or receptions. The settings are On and Off.

Option	Settings
Distinctive Ring	Distinctive ring (DRPD—distinctive ring pattern detection) is a service provided by some telephone companies that assigns two phone numbers to one phone line, each of which makes your phone ring differently. If you subscribe to this service, you can program your machine to learn one phone number and distinctive ring for incoming faxes. For more information, see Distinctive ring (DRPD) on page 31.
Resolution	Sets the default resolution when copying and faxing. The settings are: Standard, Fine, and Superfine. For more information, see Set document resolution and contrast for a single copy on page 24.
Contrast	Sets the default contrast when copying and faxing. The settings are: Normal, Lighten, Photo, and Darken. For more information, see Set document resolution and contrast for a single copy on page 24.
Image TCR	Image TCR prints a sending confirm page with a miniature image of the first page of the fax. The settings are On and Off. For more information, see Image TCR on page 30.
Dial Mode	Set the dialing mode to the type of the exchange to which you are connected: Tone or Pulse.

ADVANCED FAX menu

Option	Settings
Set Broadcasting	Allows you to send a fax to several fax numbers at once.
Set Delayed Fax	Allows you to set up a fax to be sent at any time in the next 24 hours.
Set Polling Send	Allows you to set up a fax to be polled by another machine.
Cancel Schedule	Cancels all scheduled faxes.
Set Fax Forward	Allows you to forward incoming faxes to another fax number.

TOOLS menu

Option	Settings
Clean Cartridge	Cleans the print cartridge to improve print quality.
Align Cartridge	Aligns the print cartridge to improve print quality.
View Ink Level	Allows you to see the estimated level of ink remaining in the cartridge.
Adjust Scanner	Use only if you have dropped the fax machine.
Self Test	Prints a self test to allow you to troubleshoot problems.

Loudspeaker

You do not need to pick up the handset to make a phone call. When dialing, just press the **Loudspeaker** button and enter the numbers. When your party answers, pick up the handset to talk to them. This feature is especially useful for checking voicemail messages.

NOTE: Your HP Fax does not have speakerphone capabilities. The loudspeaker enables you to hear calls but you must speak using the handset.

TIP: If you want to share the conversation with somebody beside you, pick up the handset and press **Loudspeaker**. The line is still connected and everybody can listen to the conversation.

While you are using **Loudspeaker**, do not place the handset beside the speaker, as this may result in noise interference.

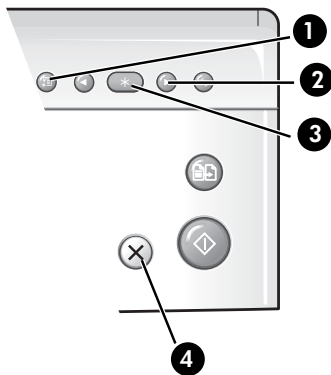
Navigate the menus

Ready mode

Whenever the HP Fax is ready for faxing and copying (called Ready mode), it will display the date, time, and answer mode. For example, OCT-05 14:23 FAX.

Menu buttons

Use the Menu buttons to navigate the menu items.



- 1 Press the **Menu** button to access the menu system.
- 2 Use the ◀ ▶ buttons to scroll through the options on a particular level.
- 3 Press **OK** to select a particular menu option.
- 4 Press **Cancel** to return to Ready mode.

Example To change the default Resolution setting to Fine, you would take the following steps.

1. Press the **Menu** button repeatedly until `BASIC FAX` displays.
2. Press **OK**.
Silent Mode will display.
3. Use the ◀ ▶ to scroll until `Resolution` displays.
4. Press **OK**.
Standard will display.
5. Use the ◀ ▶ to scroll until `Fine` displays.
6. Press **OK**.
7. Press **Cancel** to return to Ready mode.

Enter dates, times, text, and telephone numbers

Use these buttons when menu items ask you to enter dates, time or text.

- If the date format seems unfamiliar, check that you selected the correct one for your country when setting up your HP Fax (see **Set the date and time** on page 41).
- Some items on the display will show up with the blinking cursor under the item to change. Simply press the key for the new character or number or use the ◀ ▶ to move to the one you want to change.
- To enter a pause in a telephone number, press **Redial/Pause**. A P will appear in the display. Press the button multiple times for a longer pause.
- When entering text, press the phone pad button repeatedly to scroll through the characters. Use the following table for reference.

Most text fields

The letters and numbers scroll as shown next to each button for text fields such as the phone book. Press the **2** to display an A and press ▶ for the cursor to advance before pressing **3** to select D. If you want a B, press **2** twice in rapid succession.

Table 2-1 Keys to enter text and numbers

Key	Produces
1	"space" 1
2	A B C 2
3	D E F 3
4	G H I 4
5	J K L 5
6	M N O 6
7	P Q R S 7
8	T U V 8
9	W X Y Z 9
0	+ - , . ' / * # & 0

For example, to enter 'Jacque & Baja,Inc.' follow these steps.

Press	Result
5, 2, ▶, 2 2 2, 7 7, 8 8, 3 3	'JACQUE' will display.
1	Enters a space.
0 0 0 0 0 0 0 0 0 0	'&' will display.
1	Enters a space.
2 2, ▶, 2, 5, 2	'BAJA' will display.
0 0 0	', ' will display.
4 4 4, 6 6, 2 2 2	'INC' will display
0 0 0 0	'.' will display.

Fax header telephone number

For most telephone numbers you can only enter the numbers (for example, 1234567890). For the fax header that prints on all your faxes (see **Set the fax header information** on page 42), you can enter some punctuation in the number.

To punctuate the telephone number in the fax header, use these keys.

Table 2-2 Keys to punctuate the fax header telephone number

Key	Produces
#	"space"
*	+

Speed dialing

For example, to enter '+123 456 7890' follow these steps.

Press	Result
*	'+' will display.
1 , 2 , 3	'123' will display.
#	Enters a space.
4 , 5 , 6	'456' will display.
#	Enters a space.
7 , 8 , 9 , 0	'7890' will display.

Speed dialing

Your HP Fax has a built-in phone book that allows you to enter up to 100 names and numbers for faxing or telephone use. Once entered, you can dial the number by any of these methods.

- One-Touch (first 10 numbers)
- Searching the phone book through the Speed Dial button

All numbers must be stored in the phone book before use.

Store a number in the phone book

Once in the phone book these numbers can be dialed using one touch buttons, or by searching the phone book through the **Speed Dial** button.

1. Press **Speed Dial** button repeatedly until **New & Edit** appears and press **OK**.
The display shows `Speed [00-99]>##`.
2. Enter a two-digit number and press **OK**.
Numbers from 00 to 09 will be used for One-Touch dialing.
3. Enter the telephone/fax number you want to store (up to 40 digits) and press **OK**.
 - If you want a pause between numbers (for example, when entering an access code where you need to wait for a second dial tone), press **Redial/Pause**. A **P** appears in the display. For a longer pause, simply press **Redial/Pause** again.

- If you make a mistake while entering a number, use ◀ ▶ to move the cursor under the digit, then enter the correct digit.
 - **Cancel** will backspace delete in the field.
 - Holding down **Cancel** will clear the whole field.
4. Enter the name (up to 20 characters) and press **OK**.
- If you do not want a name, just skip this step by pressing **OK**.

TIP: If you have subscribed to a Caller ID service, we recommend that you enter a name.

5. Press **Cancel** to exit.

Print the phone book

1. Press **Menu** repeatedly until **REPORTS** appears and press **OK**.
2. Press ◀ ▶ until **Phonebook** displays and press **OK**.

Dial from the phone book

Dialing works the same for both faxes and telephone calls. If a document is loaded in the document feeder, the HP Fax sends the fax.

One-touch dialing

- ▲ Press and hold the number (0 through 9) on the phone pad.

You can refer to the number assigned to each code by printing the phone book.

See **Print the phone book** on page 21.

Phone book dialing

You can search the entire phone book to find the number you want to dial.

Search sequentially through the phone book

1. Press **Speed Dial** button once and when **Search & Dial** appears, press **OK**.
2. Press ◀ ▶ to move upward or downward through the directory until you find the number you want.
3. When the number you want appears in the display, press **Start** to dial.

Search for a particular first letter

1. Press **Speed Dial** button once and when Search & Dial appears, press **OK**.
2. Press the phone pad button labelled with the letter you want to find.
 - For example, if you want to find the name 'NEW YORK', press the **6** button, which is labelled with 'MNO'.
 - The machine finds the closest entry.
 - If the machine cannot find a name that begins with the given letter, the machine shows the message `Not Found`.
3. When the name and number you want appears in the display, press **Start**.

Paper types and sizes

The HP Fax is designed to work optimally with plain paper (cotton bond: 20 lb., 75 g/m²) in the following sizes: A4, Letter, and Legal.

TIP: Some papers have a side that's been conditioned for printing. The print side is usually indicated on the paper's packaging. **Always load with the print side facing you.**

You can load up to 40 sheets of paper in the paper tray. Satisfactory print and receive quality can be obtained with many types of plain paper. Since the quality of plain paper varies widely, test the print quality before buying large quantities of paper. Your machine uses a variety of papers including:

- Copier paper
- Bond paper
- Dual-purpose paper

Because all paper varies in physical characteristics, you can receive mixed results from different packages of paper even though the packages contain the same type of paper. If you encounter undesirable results, try the other side of the paper, a different type, or another package of the same kind of paper.

Do **not** use the following types of paper with your machine:

- Continuous form feed paper
- Synthetic paper (Tyvek[®], etc.)
- Thermal paper
- Multi-sheet forms and documents

- Chemically treated paper (pressure-sensitive paper, carbon-coated paper, etc.)
- Coated (glossy, photo, etc.)
- Papers with raised, embossed lettering

Document types and sizes

The following document size is acceptable when you send a fax.

- The minimum document size is 148 mm (5.8 in.) wide by 128 mm (5 in.) long.
- The maximum size is 216 mm (8.5 in.) wide by 356 mm (14 in.) long.

Follow these tips to ensure worry-free faxing.

- Be sure that your document is dry and free of staples, paper clips, and other foreign objects.
- If you are sending more than one sheet, make sure the bottom sheet enters first. Insert the sheets with a slight push to ensure smooth feeding.
- For multiple sheets, all pages of the document must be the same size and paper type.
- If you are loading pages that are unusually thick or thin, feed one sheet at a time. If the document does not feed correctly, open the control panel, remove the document, and try loading it again.
- For more information on what kind of paper you can use for documents, see **Acceptable documents** on page 63.

DO NOT try to send documents that are:

- wet
- covered with wet ink or paste
- wrinkled, curled, or folded
- too thin (less than 0.07 mm (0.18 in.) thick—onionskin, airmail paper, etc.)
- too thick (more than 0.15 mm (0.38 in.) thick—index cards, file folders)
- chemically processed (pressure-sensitive paper, carbon-coated paper, etc.)
- coated (glossy, etc.)
- too small or short (such as a label, voucher, etc.)
- made of cloth or metal

To send these documents, use an office copier to make a photocopy first, and then send the copy.

Set document resolution and contrast for a single copy

Document resolution and contrast are set in the same manner for both faxes and copies. For most faxes and copies, default settings will work well.

If you need to send/copy a document with unusual contrast characteristics, including images/embedded pictures, you can adjust the resolution and contrast for that document using the control panel buttons.

TIP: You can also change the default settings for all documents using the menu. See **BASIC FAX menu** on page 13.

We recommend you use documents with a high contrast, such as, documents printed using a high quality printer, felt tip pen, black ink, or typewriter. The paper should be white or very light, and of normal weight, not cardboard or onionskin.

Blue lines on a ruled pad don't fax well. For more information on the types of paper you can use for documents, see **Document types and sizes** on page 23.

NOTE: You must set the resolution and contrast before dialing the number.

1. Turn the page face down and insert it into the document feeder. For more information, see **Load documents to fax or copy** on page 2.
2. Press **Resolution** repeatedly to select the option you want:
 - **STANDARD** works well for printed or typewritten originals with normal-sized characters.
 - **FINE** is good for documents containing a lot of detail.
 - **SUPER FINE** works well for documents containing extremely fine detail; for example, a map or engineering drawing. **SUPER FINE** only works if the remote machine also has the **SUPER FINE** feature.

NOTE: **SUPER FINE** mode is not used when sending documents scanned into memory (i.e., Broadcasting and Delayed Fax). If you are sending document using one of these methods, **SUPER FINE** will be changed back to **FINE** even though you selected **SUPER FINE**.

3. Press **Mode/Contrast** repeatedly to select the option you want:

- **NORMAL** is used for normal handwritten, typed, or printed documents.
- **LIGHTEN** is used with very dark print.
- **DARKEN** is used with light print or faint pencil markings.
- **PHOTO** is used when faxing images/embedded pictures or other documents containing color or gray shades. When Photo is chosen, the resolution is automatically set to **FINE**.

4. Dial the number and press **Start** or press **Copy**.

When sending/copying is finished, resolution/contrast automatically returns to default.

Adjust volume

You can adjust the volume level for both the ringer and the speaker.

Ringer volume

▲ Press ◀ ▶ when the fax is in Ready mode to adjust the volume of the ringer. Whenever you press the button, it will increase or decrease the volume.

NOTE: The volume 0 indicates that the machine will not ring when a call is received.

Speaker volume

1. Press **Loudspeaker**.
2. Then press ◀ ▶ to adjust the volume of the speaker.

Automatic fax redial

When you send a fax, if the number you have dialed is busy or there is no answer, the machine will automatically redial the number every three minutes up to two times.

If you wish to manually redial the number immediately, press **Start** after the display shows **To redial now**, press **Start**.

Or, press **Cancel** to stop redialing and the machine returns to Ready mode.

Receiving via an extension telephone

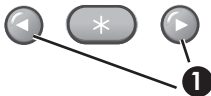
If you have an extension phone on the same line as your HP Fax you can remotely start receiving a fax.

1. Answer the call on the extension phone.
2. Press ***9*** (manual fax receive code) in sequence when you hear a fax tone.
 - Your fax machine detects the code and starts to receive the document.
 - The default code is 9. You cannot change the asterisks but you can select any number between 0 and 9. For more information, see *Man Fax Rcv Code* under the **BASIC FAX menu** on page 13
3. Hang up the phone when your fax machine starts to receive.

3 Additional features

This chapter contains information on additional features you may want to set or change for your HP Fax.

- Rings to answer: Sets the number of rings before the HP Fax answers the phone.
- Caller ID: If you subscribe to Caller ID through your local phone company, you can use it with your HP Fax.
- Block Junk Faxes: In conjunction with Caller ID, you can block certain numbers from sending you a fax.
- Favorites
- Image TCR
- Distinctive Ring
- Answer/Receive mode: Determines how the HP Fax responds to incoming calls.



- 1 The “arrow buttons” located at the left and right of **OK** button on the control panel are designated by ◀ ▶ in the instructions.

Set rings to answer

You can select the number of rings that will occur before the fax answers an incoming call.

NOTE: If you are using your machine as both a telephone and a fax machine, we suggest you set the ring count to at least 4 to give you time to answer.

1. Press **Menu** repeatedly until **BASIC FAX** displays and press **OK**.
2. Press ◀ ▶ until **Rings to Answer** displays and press **OK**.
3. Enter the number of rings you want (2–7) and press **OK**.

The HP Fax rings the set number of times and then answers. It then produces a different sounding ring to alert you to which type of call is incoming.

- The additional ring may occur once for a fax call
- The additional ring occurs 5 times for a voice call. After the 5 additional rings, the answering machine will answer.

Use Caller ID

Many countries have the Caller ID system that enables the receiver to view the numbers or names of callers. Once you have subscribed to Caller ID services through your local phone company, your machine can display caller information.

Turn Caller ID on

1. Press **Menu** repeatedly until **BASIC FAX** displays and press **OK**.
2. Use the ◀ ▶ to scroll to **Caller ID** and press **OK**.
3. Use the ◀ ▶ to scroll to the desired option and press **OK**.
 - **On**: Activates the Caller ID feature.
 - **On w/ Junk Fax**: Activates Caller ID and ignores any fax registered as a junk fax (**Block junk fax numbers** on page 28).
 - **Off**: Deactivates the Caller ID feature.

See who called with Caller ID

This function allows you to see who has called. You cannot dial these numbers.

1. Hold **Redial/Pause** for about two seconds.
2. Press ◀ ▶ until **Caller ID** displays and press **OK**.
3. Scroll through the numbers by pressing ◀ ▶.

Print a list of Caller ID numbers

1. Press **Menu** repeatedly until **REPORTS** displays and press **OK**.
2. Press ◀ ▶ until **Caller ID** displays and press **OK**.

Block junk fax numbers

If you subscribe to Caller ID through your local phone company, you can block future faxes from numbers on the Caller ID List. Before using this feature, you must set the Caller ID option to **On w/ Junk Fax** (see **Use Caller ID** on page 28).

Add a junk fax number

1. Press **Menu** repeatedly until **BASIC FAX** appears and press **OK**.
2. Press ◀ ▶ until **Set Junk Fax No.** displays and press **OK**.
3. Press ◀ ▶ until **Add** displays and press **OK**.

The machine shows the first Caller ID number.

4. Press ◀ ▶ to find the Caller ID number you want to register as a junk fax and press **OK**.

You can enter up to 20 numbers. Numbers which have already been entered as a junk number are marked by * at the end of the display.

Delete a number

1. Press **Menu** repeatedly until **BASIC FAX** appears and press **OK**.
2. Press ◀ ▶ until **Set Junk Fax No.** displays and press **OK**.
3. Press ◀ ▶ until **Delete** displays and press **OK**.

The machine shows the first junk number.

4. Press ◀ ▶ to scroll to the junk fax number you want to delete and press **OK**.

Favorites

Favorites enables you to store documents that are frequently faxed and send them to selected fax numbers without the originals.

NOTE: When you use this feature, **PHOTO** contrast and **SUPER FINE** resolution are not supported.

Save a document

1. Load the documents face down in the document feeder.
2. Press **Favorites** repeatedly until **SAVE** appears and press **OK**.
3. Enter the document ID name (up to 15 characters) by using the number keypad.
4. Press **OK**.

The document will be scanned into memory.

Exceeded Job Memory message appears when you try to save more than three Favorites.

Delete a document

1. Press **Favorites** repeatedly until **DELETE** appears and press **OK**.
2. Press **◀ ▶** to select to delete one or all documents and when the correct document ID is displayed, press **OK**.
3. Select **Y** and press **OK** when the machine asks if you are sure.

Send a document

1. Press **Favorites** repeatedly until **SEND** appears and press **OK**.
2. Press **◀ ▶** to scroll to the document you want to send and press **OK**.
3. Enter the fax number.
4. Press **OK** when the correct number is displayed.

If you have more destinations, select **Y** and press **OK** when asked **Another?**
Y/N and repeat from step 3.

Print a document

1. Press **Favorites** repeatedly until **Print** appears and press **OK**.
2. Press **◀ ▶** to select to print one or all documents and when the correct document ID is displayed, press **OK**.

Image TCR

Image TCR (Transmission Confirmation Report) is a valuable tool for keeping records of faxes you send. It prints a Sending Confirm page with a miniaturized image of the first page of the fax on it. See the following example.

Sending Confirm

Date : SEP-15-2002 SUN 11:25
Name : PAT
Tel. : 1234567890

```
Phone      : 987654321
Pages      : 1/1
Start Time : 09-15 11:24
Elapsed Time : 00'39"
Mod        : ECM
Result     : Ok
```

First page of recent document transmitted...

Hi Magnus,
Here's a picture of our new fax machine. Let me know what you think.
Regards,
Pat

To use image TCR, you must set these Menu options to On: Image TCR and Sending Confirm. Follow these instructions to set the menu options:

1. Press the **Menu** button repeatedly until `BASIC FAX` displays and press **OK**.
2. Use the ◀ ▶ buttons to scroll to `Sending Confirm` and press **OK**.
3. Use the ◀ ▶ buttons to select `On` and press **OK**.
4. Use the ◀ ▶ buttons to scroll to `Image TCR` and press **OK**.
5. Use the ◀ ▶ buttons to select `On` and press **OK**.
6. Press **Cancel** to return to Ready mode.

NOTE: Image TCR is unavailable if the resolution is set to Super Fine.

Distinctive ring (DRPD)

Distinctive ring or distinctive ring pattern detection (DRPD) is a service offered by some telephone companies. When you subscribe to this service through your local phone company, you have different ring patterns; such as double ring and triple ring, that allow you to have different telephone numbers on one physical line. Your HP Fax works with distinctive ring service.

Use Distinctive Ring to set your HP Fax to answer one of your phone numbers as a fax only line. The phone number (ring pattern) that you teach the HP Fax will be answered as if the machine is in FAX mode. All other numbers on the same line will be answered if they are in AUTO mode.

If you have this service follow **both** of these instructions **in this order** to set it up and use it.

Step 1—Teach the HP Fax the ring pattern

The HP Fax will learn the ring pattern when you call it from another telephone or fax machine.

1. Be ready to call the fax machine.
2. Press **Menu** repeatedly until `BASIC FAX` displays and press **OK**.
3. Use ◀ ▶ to scroll through the options until `Distinctive Ring` displays and press **OK**.

Call this fax from another fax machine... Waiting Ring... will display.

4. Call the HP Fax.

DRPD OK will display when the pattern has been learned and the HP Fax will return to Ready mode.

Step 2—Set up distinctive ring (DRPD) answer mode

Once you have activated distinctive ring, it becomes one of the answering modes you can select by pressing the **Mode/Contrast** button.

- ▲ Press **Mode/Contrast** repeatedly until **DRPD Mode** appears in the display.
 - In Ready mode, **DRPD** appears in the right hand corner of the display.
 - Now, the HP Fax will manage calls and faxes as if it were set to AUTO mode (**AUTO mode** on page 33)

TIP: Distinctive ring must be set up again if you reassign your fax number or connect the machine to another telephone line. Once set up again (that is, the fax machine has learned the ring pattern and the answering mode is correctly set), you should test the fax machine by calling the fax number and another number on the same line. The machine should respond appropriately to a call placed to the fax number with fax tones, and to a normal telephone call with the expected ring pattern.

Answer/receive mode

How the product receives faxes depends on the answer/receive mode you chose when you set up the product. You can send faxes in any answer/receive mode. The answer/receive mode setting determines how the device answers the incoming call.

How are you going to use your HP Fax?	Read about...
<ul style="list-style-type: none"> • Fax machine with few or no voice calls. 	FAX mode
<ul style="list-style-type: none"> • Telephone and fax machine without an external answering machine connected. 	AUTO mode
<ul style="list-style-type: none"> • As a fax machine with an external answering machine. 	TAM mode
<ul style="list-style-type: none"> • Using Distinctive Ring (DRPD) service to set up a separate telephone number for your fax on the same physical line as your other numbers. 	See Distinctive ring (DRPD) on page 31.
<ul style="list-style-type: none"> • Telephone with few or no fax calls. 	TEL mode

▲ When no document is loaded, press the **Mode/Contrast** button until the desired option displays.

- **FAX mode**
 - In Ready mode, **FAX** appears in the right hand corner of the display.
 - When you get a call, the machine answers and receives the fax automatically. When reception is complete, the machine returns to Ready mode.
 - If you want to change the number of rings before it answers, see **Set rings to answer** on page 27.
- **AUTO mode**
 - In Ready mode, **AUTO** appears in the right hand corner of the display.
 - When a call comes in, the machine answers it. If a fax is being sent, the device receives the fax. If the machine does not sense a fax signal, it will ring 5 times in a different tone to tell you it may be a regular telephone call. If you do not pick up the handset it will try again to receive a fax after several more rings.
 - If you want to change the number of rings before it answers, see **Set rings to answer** on page 27.
- **TAM mode**

You must have an answering machine attached to the **EXT** line socket located on the bottom of your HP Fax.

 - In Ready mode, **TAM** appears in the right hand corner of the display.
 - When a call comes in, the answering machine answers and listens. If it detects fax tones, it receives the fax; otherwise, it records the caller's message.
 - If you have set your machine to TAM Mode and your answering machine is switched off or the answering machine is not connected directly to your fax machine, the machine will automatically attempt to receive a fax after several rings.
 - If your answering machine allows you to set the number of rings before it answers the telephone, set the answering machine to answer an incoming call in less than 4 rings.
 - When your answering machine answers an incoming call, it records a fax tone until it realizes a fax is coming through. Due to this, your answering machine may tell you a voice message has been left, even when it is actually a fax.
- **TEL mode**
 - In Ready mode, **TEL** appears in the right hand corner of the display.
 - Automatic fax reception is turned off. You can receive a fax only by lifting the handset and pressing **Start**.

Answer/receive mode

4 Advanced faxing

In this chapter, you will learn how to use the advanced fax features of your machine.



- 1 The “arrow buttons” located at the left and right of **OK** button on the control panel are designated by ◀ ▶ in the instructions.

Broadcasting

With Broadcasting you can have your HP Fax send your fax to up to 5 fax numbers at once. The documents are automatically erased from memory when Broadcasting is finished.

1. Turn the document face down and feed it into the machine.
2. Press **Menu** repeated until **ADVANCED FAX** displays and press **OK**.
3. Select **Set Broadcasting** by pressing ◀ ▶ and press **OK**.
4. Enter the fax number.

TIP: One touch buttons do not work with this Broadcasting function.

- You can enter 5 fax numbers into one job.
5. Press **OK** when the correct number appears in the display.
 - If you have more destinations, select **Y** by using ◀ ▶ and press **OK** when asked **Another? Y/N** and repeat steps from 4.
 - If you have finished entering all the numbers, answer **N** and press **OK**.
 6. Press **OK**.

The document will be scanned into memory before transmission.

Delayed fax

You can set your machine to send a fax any time in the next 24 hours. For example, it is usually cheaper to send a fax at night because telephone rates are lower than they are during the day. To cancel a scheduled fax, see **To cancel the scheduled job** on page 38.

1. Turn the document face down and feed it into the machine.
2. Press **Menu** repeatedly until **ADVANCED FAX** appears and press **OK**.
3. Select **Set Delayed Fax** by pressing **◀ ▶** and press **OK**.
4. Enter the fax number.

TIP: One touch buttons do not work with Delayed Fax.

- You can enter 5 fax numbers into one job.
5. Press **OK** when the number appears in the display.
 - If you have more destinations, select **Y** by using **◀ ▶** and press **OK** when asked **Another? Y/N** and repeat steps from 4.
 - If you have finished entering all the numbers, answer **N** and press **OK**.
 6. Enter the name if you want to name the transmission.
If not, skip this step.
 7. Press **OK**.
 8. Enter the time (in the next 24 hours) for the transmission to start.
 9. Press **OK** when the time appears correctly in the display.

The document will be scanned into memory before transmission and be sent at the programmed time.

Polling

Polling enables you to set up a document so it can be retrieved at a later time. For example, you can place the document in your machine, and the other party can retrieve it when they are in the office or when their calling rates are lower.

Setting send polling

You can program your fax machine to send a document when it is requested by a remote fax machine.

NOTE: Your HP Fax allows you to set one poll job at a time and it can be retrieved once.

1. Turn the document face down and feed it into the machine.
2. Press **Menu** repeatedly until `ADVANCED FAX` appears and press **OK**.
3. Select `Set Polling Send` by pressing `◀ ▶` and press **OK**.
`Poll Code [0000]` will display.
4. Enter the poll code you want to use for this document and press **OK**.
 - The poll code is preset to 0000, which means that the receiver does not need to enter a poll code to receive the document.
 - The poll code is not static. You enter a new one for each document.
 - The poll code is used to prevent your document from being retrieved by an unauthorized caller.
 - Your machine starts scanning the document(s) into memory and shows `POLLING SEND` in the display. If the answer mode was TEL, the machine changes it to FAX mode automatically.
 - When it is polled, the page in memory will be deleted automatically. To cancel Send Polling, see **To cancel the scheduled job** on page 38.

Polling another fax to receive

You can dial another fax machine that has a document waiting and request it to be sent to your fax machine.

1. Dial the telephone number of the remote machine that is ready to be polled.

TIP: One touch buttons do not work in this area.

2. Press **Menu** when you hear a fax tone from the remote machine.
 The display shows `To poll documents press Start`.
3. Press **Start**.
4. Enter the other fax's Poll Code to retrieve the document, and press **OK**.

To cancel the scheduled job

NOTE: If the other fax machine does not have a poll code, enter 0000.

The HP Fax receives and prints the polled document.

NOTE: Not all fax machines have polling capability, and polling incompatibility sometimes occurs between fax machines made by different manufacturers.

To cancel the scheduled job

All scheduled jobs remain in memory after they have been set. To make more memory available, cancel unnecessary scheduled jobs.

1. Press **Menu** repeatedly `ADVANCED FAX` appears and press **OK**.
2. Select `Cancel Schedule` by pressing `◀ ▶` and press **OK**.
3. Select the scheduled job you want to cancel by pressing `◀ ▶`.
4. Press **OK** to cancel the selected schedule.

Forward faxes

While you are away from your home or office, you do not have to miss important faxes. Your machine can forward any faxes it receives to a fax machine at your current location, and if you choose, it can print a copy for you to review when you get back as well.

A Sending Confirm report will print for every fax that is forwarded.

1. Press **Menu** repeatedly until `ADVANCED FAX` appears and press **OK**.
2. Select `Set Fax Forward` by pressing `◀ ▶` and press **OK**.
3. Use `◀ ▶` to select the option you want and press **OK**.
 - `Off`: disables fax forwarding
 - `Forward`: forwards a fax to your new location
 - `Forward & Print`: prints a fax and also forwards it to your new location

4. If you selected Forward or Forward & Print, Tel: will display.
 - a. Enter the fax number and press **OK**.

Start Date&Time will display.
 - b. Press **OK**.

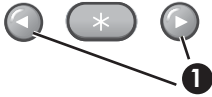
The current date and time will display.
 - c. Enter the start time and press **OK**.

End Date&Time will display.
 - d. Press **OK**.
 - e. Enter the end time and press **OK**.
 - The machine returns to Ready mode and FWD will appear in the display at the start time and every fax will be forwarded to your new location till the end time.
 - During forwarding time, the answer mode temporarily changes to FAX.

Forward faxes

5 Feature reference

This chapter contains instructions for other features of the HP Fax that you may want to use from time to time.



- 1 The “arrow buttons” located at the left and right of **OK** button on the control panel are designated by ◀ ▶ in the instructions.

Set the date and time

The current date and time are shown in the display when the machine is on and ready for use (Ready mode). The date and time will be printed on all faxes you send.

1. Press **Menu**.
2. Press ◀ ▶ to choose **SET DATE & TIME** and press **OK**.
3. Press **OK** when the display shows **Date Format**.
4. Press ◀ ▶ to select either **Europe** (day month year) or **USA** (month day year) and press **OK**.
5. Press **OK** when the display shows **Date & Time**.
6. Use the keypad to enter the date and time. You can move the cursor by pressing ◀ ▶. Enter the hour in 24-hour format.
7. Press **OK**.

Turn on and off sounds

You can turn on and off the sounds the HP Fax makes.

WakeUp sounds

WakeUp sound will ring at a specific time set even when **Silent Mode** is enabled.

1. Press **Menu** repeatedly until **SET UP SOUND** appears and press **OK**.
2. WakeUp sound will display. Press **OK**.

Set the fax header information

3. Select **On** and enter the time you want the HP Fax to ring. Press **OK**.
Select **Off** to turn off WakeUp Sound. Press **OK**.

Alarm sounds

Alarm sounds include the fax tones and beeps.

1. Press **Menu** repeatedly until **SET UP SOUND** appears and press **OK**.
2. Press **◀ ▶** to select **Alarm Sound** and press **OK**.
3. Select **On** or **Off** and press **OK**.

Key sounds

The Key sounds are the beeps the keys make.

1. Press **Menu** repeatedly until **SET UP SOUND** appears and press **OK**.
2. Press **◀ ▶** to select **Key Sounds** and press **OK**.
3. Select **On** or **Off** and press **OK**.

Silent mode

You can turn the sounds of the HP Fax (including ringing) on and off using the control panel button. You can also set all sounds to turn off on a daily schedule; for example, turn all the sounds off between 8 pm and 8 am.

1. Press **Menu** repeatedly until **BASIC FAX** appears and press **OK**.
2. **Silent Mode** will display. Press **OK**.
3. Select **On-Daily** and press **OK**.
From: 00h To: 23h will display.

4. Enter a start time and an end time and press **OK**.

Set the fax header information

This information is required by law in many countries. The fax header prints your name and fax number on the top of every fax you send.

1. Press **Menu** repeatedly until **◀ ▶ SET FAX HEADER** displays and press **OK**.
2. Press **OK** when the display shows **Fax Number**.
3. Enter the fax number to which your machine is connected.
 - You can enter up to 20 digits, and include special characters (space, plus sign, etc). For more information, see **Fax header telephone number** on page 19.

- To enter a space, press **#** once.
 - To enter a plus sign **+**, press *****.
 - If you enter a wrong number, use **◀ ▶** to move to the number and correct it.
4. Press **OK** when finished.
 5. Press **OK** when the display shows Fax Name.
 6. Enter the fax name (up to 40 characters) by using the number keypad.
 - You can include special characters (space, plus sign, etc.). For more information, see **Enter dates, times, text, and telephone numbers** on page 18.
 7. Press **OK** when the name in the display is correct.

Print reports

Your fax machine can print many reports for your use.

Automatic reports

These reports print automatically.

Report name	Content
Multi-Communication	This report prints automatically if you have faxed documents to more than one location by using Broadcasting.
Power Fail Report	If you have a scheduled job (such as, delayed fax and send poll) and there is a power failure, this report is printed automatically when power is restored.

Reports you can print

You can print these reports whenever you need to. Some of these reports can be set to print automatically also.

1. Press **Menu** repeatedly until **REPORTS** appears and press **OK**.
2. Choose the report you want by using **◀ ▶**.
3. Press **OK** when the desired report is displayed.

4. The selected report will be printed. The available reports are shown below:

Report name	Content
Help List	This report covers the machine's basic functions and commands. It can also be used as a quick reference guide.
Sent Journal Received Journal	These reports show information concerning the transmission and reception activities. They can be printed on command. Or if the machine is set to do so, they will automatically print after every 40 transmissions or receptions. For more information, see <i>Auto Journal</i> under the " BASIC FAX menu " on page 13.
Phonebook	This report shows all of the numbers currently stored in the fax machine's memory as One-Touch Dial and Speed Dial.
Sending Confirm	This report shows the fax number, the number of pages, elapsed time of the operation, the communication mode, and the communication results. To set up your machine to automatically print, see <i>Sending Confirm</i> under the " BASIC FAX menu " on page 13.
Schedule Inform	This report shows the document currently stored for Delayed FAX and Send Polling along with the fax number, starting time and type of scheduled event.
System Data	This report shows the current settings of your HP Fax. After you have changed any setting, print this report to check your changes.
Caller ID	If Caller ID is turned on, this report shows the most recent 30 callers who have called your machine. The report will be empty if you don't have Caller ID turned on.
Junk Fax	This report shows the telephone numbers that are marked as a junk fax to be blocked.
Print Fax	Your machine stores fax data into memory as far as the memory is available and lets you print it at later time. For more information, see Reprinting faxes on page 44.

Reprinting faxes

You may sometimes need to reprint a received fax. Your machine stores the most recently received faxes in memory (approximately 40 pages). As this memory is filled, old faxes that have been printed will be erased to make room for new faxes.

NOTE: Unplugging the fax machine power cord and plugging it back in again clears the memory including all unprinted or unsent faxes. A power outage also clears the fax machine memory.

1. Press **Menu** repeatedly until **REPORTS** appears and press **OK**.
2. Press **◀ ▶** to choose **Print Fax** and press **OK**.
 - If there are only old faxes, the machine will automatically print all of them and return to Ready mode without moving to the next step.
 - If there are no faxes in memory, the machine will inform you by displaying **Memory Empty**.
 - If there are both old faxes and unprinted faxes in memory, the machine will go to step 3.
3. Select between **Print New Fax** or **Reprint Old Fax** and press **OK**.
 - **Print New Fax:** The machine prints all new faxes which have never been printed.
 - **Reprint Old Fax:** The machine prints all faxes regardless of new or old.

Clearing memory

You can selectively clear information stored in your machine's memory.

1. Press **Menu** repeatedly until **MEMORY CLEAR** appears, and press **OK**.
The display shows the type of information you can clear from memory.
2. Select what you want to delete by pressing **◀ ▶** and press **OK**.
3. Select **Y** and press **OK** when the machine asks if you are sure.

The types of information you can clear are:

Item	It will
Fax Header	Delete the name and phone number from your fax header information.
Dial/Schedule	Clear the stored numbers in the phone book. In addition, all the scheduled jobs are also cancelled.
Journal	Clear all records of transmissions and receptions.
Factory Default	Return all settings to factory defaults.

Loudspeaker

You do not need to pick up the handset to make a phone call. When dialing, just press the **Loudspeaker** button and enter the numbers. When your party answers, pick up the handset to talk to them. This feature is especially useful for checking voicemail messages.

NOTE: Your HP Fax does not have speakerphone capabilities. The loudspeaker enables you to hear calls but you must speak using the handset.

TIP: If you want to share the conversation with somebody beside you, pick up the handset and press **Loudspeaker**. The line is still connected and everybody can listen to the conversation.

While you are using **Loudspeaker**, do not place the handset beside the speaker, as this may result in noise interference.

Redial a number in memory

These steps allow you to dial one of the last 10 numbers called that is in memory.

1. Hold **Redial/Pause** for about two seconds.
2. Press ◀ ▶ until **Recent Numbers** displays and press **OK**.
3. Press ◀ ▶ to find the number you want to dial.
4. Press **Start** when the correct number appears.

If a document is loaded, the machine automatically begins to send.

6 Care and maintenance

This chapter contains information about changing print cartridges, maintaining your HP Fax, the menu settings, error messages, and troubleshooting.

Print cartridge information

The print cartridge life is very sensitive to the content of received faxes or copies you make. To increase its life, we recommend you follow the instructions below:

- Always use the HP 701 (CC635A) black inkjet print cartridge.

NOTE: Your HP Fax was shipped with a starter ink cartridge. Replace the starter cartridge when it runs out of ink with the HP 701 cartridge.

- DO NOT unpack the cartridge until you are ready to use it.
- Store it in the same environment as the fax machine.
- If you have unpacked the cartridge but are not using it, store it in an airtight plastic bag.
- DO NOT leave it exposed for an extended period.
- DO NOT refill the cartridge. The warranty will not cover damage caused by using refilled cartridges.

View ink level

When using the 17ml print cartridge, your machine allows you to check the amount of ink remaining. To view the current ink level:

1. Press **Menu** repeatedly until **TOOLS** appears and press **OK**.
2. Scroll to **View Ink Level** by pressing **◀ ▶** and press **OK**.

The machine displays a fractional number. For examples, $1/8$ means that ink is low and you need to replace the cartridge. $8/8$ means that a new cartridge is installed.

NOTE: If the print cartridges were used before being installed in the HP Fax, the estimated ink levels may be inaccurate or unavailable.

NOTE: If the HP Fax is low on ink (ink level is 1/8), new faxes that come in will not be printed. They will be stored in memory. You must manually print the faxes from memory (see **Reprinting faxes** on page 44) until you replace the ink cartridge (see **Replace the print cartridge** on page 48).

TIP: If memory become full before the print cartridge is replaced, the HP Fax will stop answering the phone. Be sure to print the faxes out of memory regularly if you do not immediately replace the ink cartridge.

Print the self test

When you want to test if the machine is working correctly, you can check it by printing the self test.

1. Press **Menu** repeatedly until **TOOLS** appears and press **OK**.
2. Scroll to **Self Test** by pressing **◀ ▶** and press **OK**.

The machine runs self test and prints a report which shows the current status of the machine.

Replace the print cartridge

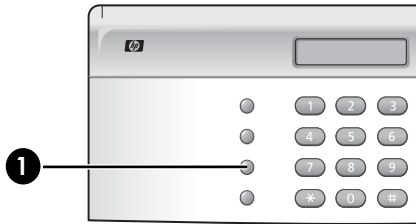
When you notice that the print becomes light or ink low or when install new ink cartridge appears in the display, replace the print cartridge. The part number for replacement cartridges is HP 701.

1. Take out a cartridge from its packaging and carefully remove the tape covering the printhead.

Hold the cartridge by the colored top or black areas only. Do not touch the copper area.

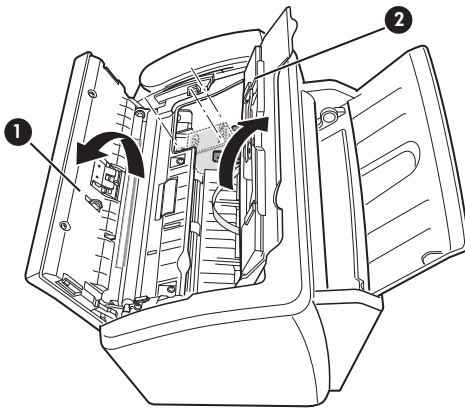
2. Press the **Access Cartridge** button on the control panel.

1 Access Cartridge



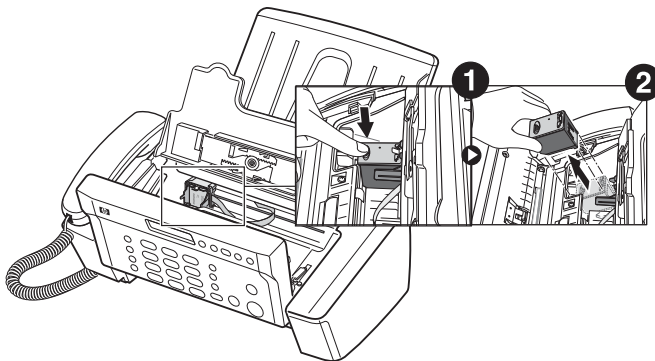
The cartridge carrier moves to the install position.

3. Open the control panel and cartridge compartment cover (it will click and remain open).



- 1 Control panel
- 2 Cartridge compartment cover

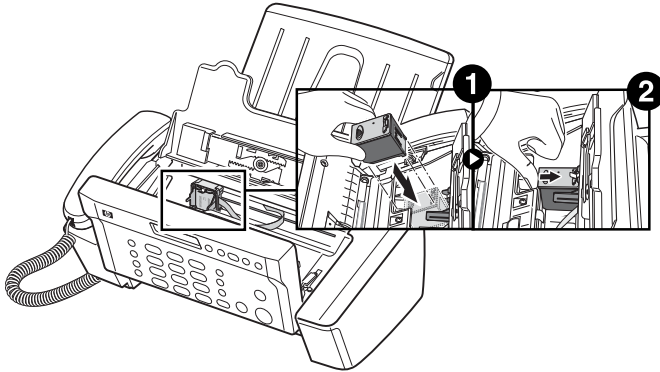
4. Push the cartridge down and remove it.



Clear jammed documents and paper

5. To load the cartridge insert the cartridge as shown below. When the cartridge is pushed to the back of the cartridge carrier, push the top of the cartridge until it clicks into place.

If the cartridge moves loosely in the carrier, it has not clicked into place. Repeat this step.



6. Close the cartridge compartment cover and control panel.
7. Press **Start**.
8. Press **1** for new cartridge, or **2** for the old one.
 - When you put in a new cartridge, you must choose **1:New**
 - When you put in a used cartridge, choose **2:Used**. This helps you to check the correct amount of ink you have left.

TIP: If you mix up several used cartridges, it is not possible to check the correct amount of remaining ink. Once you have put in a new cartridge, use it until it is completely exhausted.

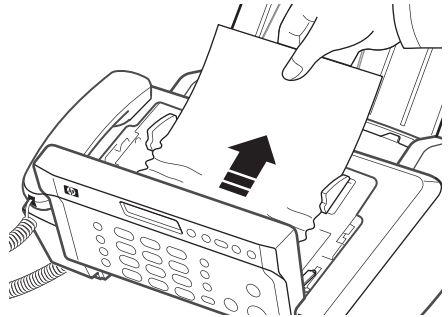
Clear jammed documents and paper

Document jams during transmission

If a document jams during transmission or copying, Remove jammed document appears in the display. **DO NOT** pull the document out of the slot. Doing so could harm your machine.

To clear document jam:

1. Open the control panel.
2. Carefully remove the jammed document.
3. Close the control panel firmly until it clicks into place.



Paper jams during printing

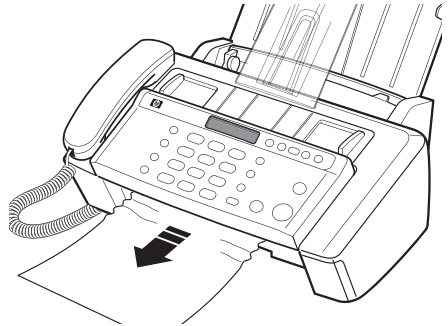
If the fax paper jams while you are receiving or printing, Remove jammed paper and press Cancel appears in the message.

If the paper is jammed in the printing area

1. Remove the jammed paper by pulling it out smoothly in the direction of the arrow as shown.

If the paper tears when it is being removed check to ensure that no small pieces have been left inside the machine.

2. Press **Cancel**.
3. If this was a fax, reprint the fax. For more information, see **Reprinting faxes** on page 44.

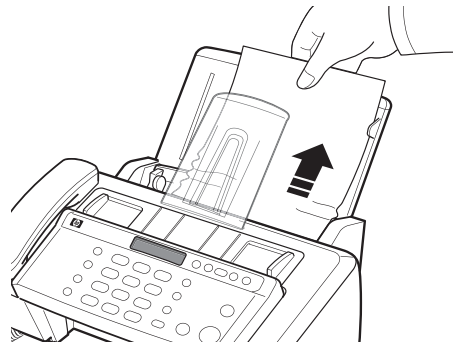


If the paper is jammed in the paper feed area

1. Remove the jammed paper as shown.

If the paper tears when it is being removed check to ensure that no small pieces have been left inside the machine.

2. Reload new paper with the print side facing toward you.
3. Press **Cancel** when finished.
4. If this was a fax, reprint the fax. For more information, see **Reprinting faxes** on page 44.



Maintain the print cartridge

To maintain good printing quality, we recommend you occasionally maintain the print cartridge and its associated parts:

Clean the print cartridge

If characters are not printing completely or white streaks appear in your text, you may have clogged nozzles. Clean the print cartridge as described below:

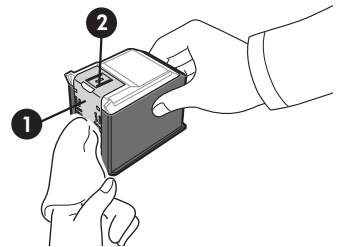
1. Press **Menu** repeatedly until **TOOLS** appears and press **OK**.
2. Scroll to **Clean Cartridge** by pressing **◀ ▶** and press **OK**.
3. Examine the printed test pattern.
 - If print quality does not improve, reinstall the cartridge and repeat these steps.
 - If the line is still broken, wipe the print cartridge contacts. For more information, see **Wipe the print cartridge contacts** on page 52.

Wipe the print cartridge contacts

If cleaning the print cartridge as discussed above does not help and you are certain the cartridge has plenty of ink, the problem may be caused by dried ink on the print cartridge contacts or the print cartridge carrier contacts. Follow these two sets of instructions for manual cleaning.

Clean the contacts

1. Press **Access Cartridge**.
2. Open the control panel and cartridge compartment cover and remove the cartridge. See **Replace the print cartridge** on page 48.
3. Gently blot and wipe the contacts dry.
 - Use a clean cloth dampened with **water** to gently clean the entire copper-colored contacts.
 - To dissolve any dried ink, hold the damp cloth against the contacts for about three seconds.



CAUTION: Do not touch or clean the ink nozzles.

1	Copper-colored contacts
2	Ink nozzles (do not clean)

4. Reinstall the cartridge and close the cover and panel.

If you spend a long time cleaning the cartridge, the cartridge carrier may have moved back to the original position. If so, press **Access Cartridge** again to move the carrier to the install position.

5. Press **Start**.

6. Press **1** for new cartridge or **2** for the old one.

Clean the cartridge carrier contacts

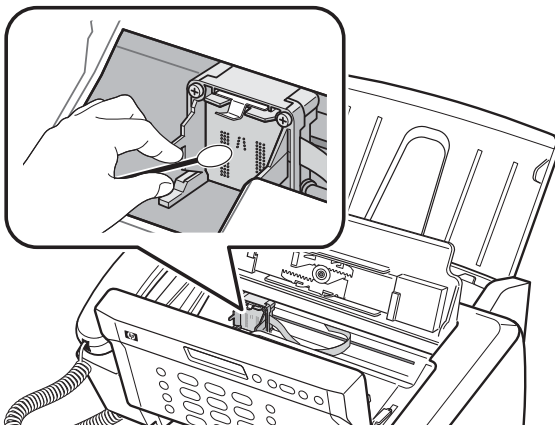
Before cleaning these parts, there should be no scheduled job such as delayed fax, send polling, or faxes received into memory.

CAUTION: Once you have unplugged the power cord from the machine, all data in memory will be lost.

1. Press **Access Cartridge**.
2. Open the control panel and cartridge compartment cover and remove the cartridge. See **Replace the print cartridge** on page 48.
3. Remove the print cartridge.
4. Unplug the power cord from the electrical outlet of the rear of the machine.

WARNING! Shock Hazard. Be sure to unplug the power cord before proceeding.

5. Clean the cartridge carrier contacts with clean and cotton swab.
6. Plug in the power cord and reinstall the cartridge.

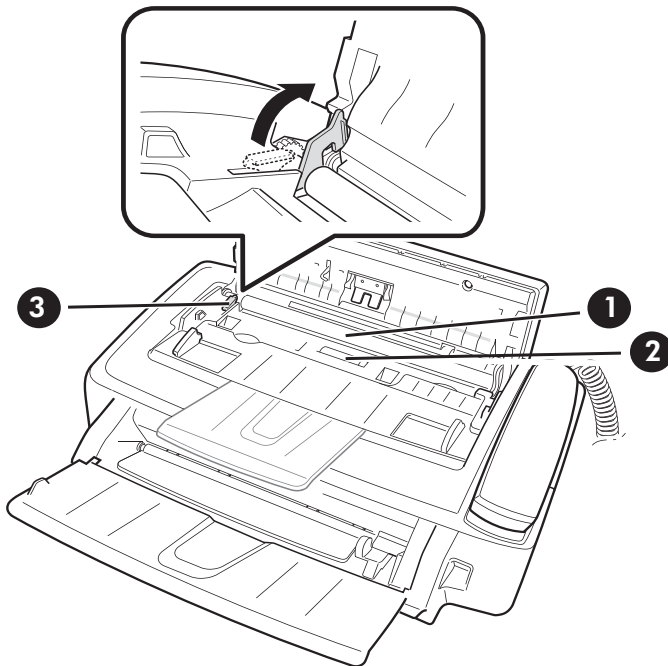


Clean the document scanner area

To keep your machine working properly, occasionally clean the white roller, document feeder rubber piece, and the scanning glass. If they are dirty, documents sent to another fax machine will not be clear.

CAUTION: When you turn the power off to clean the scanner, documents stored in memory will be lost.

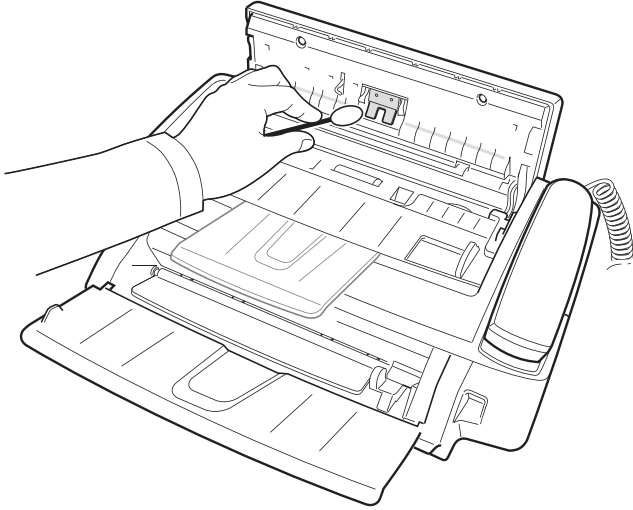
1. Open the control panel.
2. Remove the white roller.
 - a. At the right-hand end of the white roller there is a bushing that is secured with a small tab.
 - b. Push the tab slightly inward, then rotate towards you. Then pull up the right-hand end of the roller to remove it.



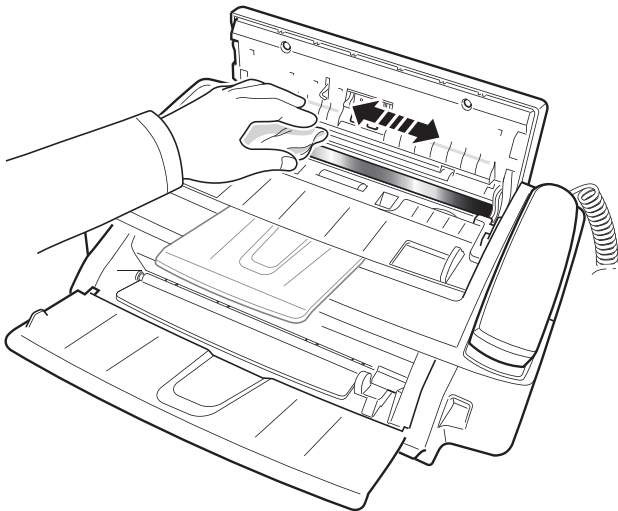
- 1 White roller
- 2 Drive roller
- 3 White roller latch

3. Wipe the white roller surface and the driver roller surface with a soft cloth dampened with water.

4. Clean the document feeder rubber piece at the back of the control panel.



5. Carefully wipe the scanning glass with a soft, dry, lint free cloth.
 - If the glass is very dirty, first wipe it with a slightly dampened cloth, then with a dry one.
 - Be careful not to scratch the glass surface.



6. Replace the roller in reverse order, and then close the control panel firmly until it clicks into place.

Adjust the scanner

The scanner is adjusted at the factory. If, however, you drop your machine while moving it, we recommend you adjust scanner.

1. Press **Menu** repeatedly until **TOOLS** appears and press **OK**.
2. Scroll to **Adjust Scanner** by pressing **◀ ▶** and press **OK**.
3. Load a plain **WHITE** sheet of paper (no writing or graphics) into the document feeder and press **OK**.
 - The machine starts to scan the document to adjust the scanner.
 - Printing quality may be unexpectedly worse if you do not use a plain **WHITE** paper for the adjustment.

LCD error messages

These are the error message that may display along with solutions for you.

Display	Status/Solution
Adjust scanner first in TOOLS menu	Adjust the scanner to fix this problem as described in Adjust the scanner on page 56.
Check white paper document and try again	You must use plain, white paper when adjusting the scanner. See Adjust the scanner on page 56.
Clean white roller, glass and try again	For more information, see Clean the document scanner area on page 54.
Duplicated with [Speed No.xx]	The same number has already been registered into another speed dial location.
Exceeded Job Memory	The machine can hold only 3 Favorites.
Exceeded Job Memory Cancel scheduled job and try again	The broadcasting and delayed fax can hold 5 jobs in total. Cancel a scheduled job and try again.
Ink Low. Install new ink cartridge	The print cartridge is low or has run out of ink. To install a new print cartridge, see Replace the print cartridge on page 48. Although this message is displayed, you can make a copy or print a report. Incoming faxes will be stored in memory. You must manually print them, see Reprinting faxes on page 44.

Display	Status/Solution
Install ink cartridge	Print cartridge is not installed or improperly installed.
Invalid Time	The time you set for fax forwarding is wrong.
Job Not Assigned	You attempted to cancel a scheduled job but no jobs are scheduled. You attempted to delete, print or send the Favorites document when there is no document stored.
Junk Fax Empty	You attempted to delete a junk fax number when there is no junk fax number.
Junk Fax Full	The machine can hold only 20 junk fax numbers.
Load Document	You must load a document before proceeding.
Memory Full	Memory has become full while receiving a fax. It will not answer the telephone until memory has been cleared. Print any faxes stored in memory and, if necessary, clear scheduled jobs See Reprinting faxes on page 44 and see Clearing memory on page 45.
Memory Full Press OK to continue	Memory has become full while scanning a document. Press OK to send or copy the scanned pages only. To cancel the job press Cancel and try again when memory becomes available, or split the new document into smaller parts. See Clearing memory on page 45.
Memory Received Ink Low. Install new ink cartridge	The machine has data stored in memory. Replace the print cartridge with new one in order to print the faxes.
Memory Received Load paper and press OK	Load paper and press OK . There might be a jam. Clear the jam as described in Paper jams during printing on page 51.
Memory Received Install ink cartridge	There is no print cartridge in the machine. Install a print cartridge.
No answer from remote fax	The other machine has not answered after all redial attempts to send a fax.
No CID Number	The machine could not detect the CID (Caller ID) number.

Display	Status/Solution
No Dial Number	There is no number in the redial memory.
Not available while reprinting fax	The machine could not receive a new fax while printing the stored faxes.
Not Found	The number you are searching for does not exist in memory.
Number already registered	The number you are trying to enter already exists in the phone book or junk fax list.
Number Not Assigned	There is no number assigned to this One-Touch or two-digit Speed number.
Poll Code Error	The remote user entered the wrong poll code.
Poll job exists already	You have already programmed a polling send. Cancel scheduled job and try again.
Polling Error Check remote site	The machine you want to poll is not ready to answer your poll. Check with the other person.
Receiving Error. Ask sender to try again.	There is an error while receiving a fax.
Remove jammed document	The document you are sending has jammed in the document feeder. To clear the document jam, see Document jams during transmission on page 50. You tried to copy or fax a document which is longer than 390 mm (15.4 in.).
Remove jammed paper and press Cancel	The paper has jammed during printing. To clear the paper jam, see Paper jams during printing on page 51.
Send Error. Try again.	There is an error while sending a fax.
System Busy Try again later	The fax machine is busy doing something else.
To redial now, press Start	The machine is waiting (three minutes) to automatically redial the fax number that was busy or did not answer. You have the option to manually redial by pressing Start .
Processing Job	You attempted to enter Favorites while sending or printing Favorites document.

Troubleshooting

Your problem may be listed in **“LCD error messages”** on page 56. The chart below shows other problems you can solve yourself. For problems you cannot resolve here, see **Use Hewlett-Packard support services** on page 70.

TIP: (For U.S. only) You can test your HP Fax to make sure it is set up properly for faxing. Place a document in the document feeder, dial 1-888 HP FAX ME (1-888-473-2963) and press **Start**. Please wait approximately 1 minute and you will receive a “Fax Back System Test” page, confirming your product is working correctly. The Fax Header must be set up in order to test the fax machine.

Fax problems

Problem	Solution
The machine is not working, there is no display, and the buttons are not working.	Unplug the power cord and plug it in again. Check that your socket is live.
No dial tone.	Check that the phone line is connected properly to the port in the bottom of the fax. Unplug and replug it. Make sure it clicks. Check the phone socket in the wall by plugging in another phone.
Someone calls and gets a busy signal even though the fax is not busy.	This may rarely occur if the answer mode is set to AUTO, a voice call comes in and is hung up without being answered, and another call is immediately received. In AUTO mode the machine goes back to fax receive mode if the voice call is not answered. The line will appear busy until the machine resets.
The numbers stored in memory do not dial correctly.	Make sure the numbers are programmed correctly. To print a Phone book list, see Print reports on page 43.
The document does not feed into the machine.	Be sure the document is not wrinkled, and you are putting it in correctly. Check that the document is the right size and not too thick or too thin. See Document types and sizes on page 63.

Problem	Solution
You cannot receive faxes automatically.	<p>Check if TEL appears on the right side of the display. In TEL mode, you cannot receive a fax automatically. Be sure the handset is seated on the cradle properly.</p> <p>If the ink is low, the fax will stop printing faxes. Replace the print cartridge.</p> <p>If the fax memory is full, the fax will stop answering the phone. Load paper and print the faxes in memory to clear out the memory.</p>
The machine cannot receive faxes manually.	Do not hang up the handset before pressing Start to receive a fax.
The machine does not send anything.	Check that the document is loaded face down. Send should appear in the display after it dials. Check if the machine to which you are sending can receive your fax.
You cannot poll another machine.	The fax machine you are polling may be using a poll code (password).
The fax you received has blank bits on it.	The machine sending to you may be faulty. A noisy phone line can cause line errors. Check your machine by making a copy.
Spots or lines missing from the fax you receive.	Check if the print cartridge is ok by making a copy. See Maintain the print cartridge on page 52. Check with the telephone company to see if your phone line is noisy.
You are receiving poor quality copies.	The fax machine sending to you may have a dirty scan glass. Also, check with the telephone company to see if your phone line is noisy.
Some of the words on the fax you received appear stretched.	The machine sending to you had a temporary document jam.
Your machine does not make copies.	Make sure your document is loaded face down.
There are lines on copies or documents you send.	Check your scan glass for marks and clean it (see Clean the document scanner area on page 54).
The machine dials a number, but fails to make a connection with a remote fax machine.	The remote fax machine may be turned off or unable to answer incoming calls. Speak with the other fax operator to solve the problem.

Problem	Solution
You cannot store a document in memory.	<p>There may not be enough memory available to hold the document you want to store. If the display shows a Memory Full message, do the following until you can store your document in memory:</p> <p>Print all unprinted faxes in memory (see Reprinting faxes on page 44).</p> <p>Delete unneeded polling faxes, broadcast faxes, or delayed faxes (see To cancel the scheduled job on page 38).</p>
Blank areas appear at the bottom of each page or on continuation pages, with only a small strip of material printed at the top.	You may have selected the wrong paper size setting. To select the proper paper size, see Paper Size on page 13.
Image TCR is not working	You have the resolution set to SUPER FINE. Set the resolution to FINE.

Print quality problems

Problem	Solution
Light or blurred characters.	<p>Check ink level as described in View ink level on page 47. To install a new print cartridge, see Replace the print cartridge on page 48.</p> <p>Make sure the print cartridge is installed correctly. To clean the print cartridge, see Maintain the print cartridge on page 52.</p>
Smudged or dark characters.	Make sure the paper is straight and unwrinkled. Let ink dry before handling the paper. To clean the print cartridge, see Maintain the print cartridge on page 52.
Characters with white lines.	<p>If Ink Low. Install new ink cartridge is displayed, install a new print cartridge as described in Replace the print cartridge on page 48.</p> <p>Remove and reinstall the print cartridge.</p> <p>Clean the print cartridge (see Maintain the print cartridge on page 52).</p>
Improperly formed or misaligned characters.	Clean the print cartridge (see Clean the print cartridge on page 52).
Abnormal black horizontal lines	Clean the cartridge carrier (see Clean the cartridge carrier contacts on page 53).

Paper feeding problems

Problem	Solution
Paper is jammed during printing.	Clear paper jam as described in Paper jams during printing on page 51.
Paper sticks together.	<ul style="list-style-type: none">• Make sure you have fewer than 40 sheets in the paper tray.• Humid conditions may cause some paper to stick together. Take the paper out and fan the pages and replace.
Paper fails to feed.	Remove any obstructions inside the printer.
Multiple sheets of paper feed.	When loading paper, do not force the paper down into the printer. If multiple sheets have caused a paper jam, clear the paper jam. (see Paper jams during printing on page 51.)
Paper skews or buckles in the paper tray.	The paper tray can hold up to 40 sheets. Make sure the paper guides do not cause the paper to bow. When loading paper, do not force it down into the machine.

7 Specifications and regulatory information

This chapter contains product and supplies specifications, ordering information, and regulatory statements.

Paper types and sizes

The HP Fax is designed to work optimally with plain cotton bond paper.

The following paper sizes and weight can be used with your machine:

Paper size	Dimensions	Paper weight
A4	210mm x 297mm (8.3in x 11.7in)	
Letter	216mm x 279mm (8.5in x 11.0in)	75 – 90g/m ² (20 – 24lbs)
Legal	216mm x 356mm (8.5in x 14.0in)	

Document types and sizes

You can insert a document that is up to 10 pages long in the document feeder.

Acceptable documents

	Single sheet	2 or more sheets
Document size	Max	216mm (W) x 356mm (L) ^a 8.5in (W) x 14in (L)
	Min.	148mm (W) x 128mm (L) 5.8in (W) x 5in (L)
Effective scanning width	210mm 8.27in	
Number of sheets which can be loaded at a time	–	Up to 10

Print cartridge

	Single sheet	2 or more sheets
Thickness of document	0.07mm – 0.15mm 0.018in – 0.038in	0.075mm – 0.12mm 0.019in – 0.03in
Paper quality	Uncoated on both sides	

a. When sending a document that is longer than A4 (297 mm/11.69 in.), you must immediately take out each sheet as soon as it has been scanned. Otherwise, the document may jam.

Print cartridge

The HP Fax uses the following print cartridge.



HP 701 black inkjet print cartridge CC635A

Product specifications

The specifications are subject to change without notice.

Item	Specification
Type of unit	Inkjet Desktop Facsimile Transceiver
Communication System	Public Switched Telephone Network (PSTN) and PABX
Compatibility	ITU Group3
Compression scheme	MH, MR, MMR
Modem speed	14400/12000/9600/7200/4800/2400bps
Scanning method	CIS (Contact Image Sensor)
Input document size	8.5 inches (216 mm)
Effective scanning width	8.27 inches (210 mm)
Effective recording width	8 inches (203 mm)

Item	Specification
Power consumption	Standby: 4.9Wh Printing Mode: Maximum 15 Wh
Voltage	220 – 240~
Frequency	50 – 60 Hz
Current	300 mA
Temperature range	50°F to 89°F (10°C to 32°C)
Humidity range	20 to 80% RH (non-condensing)
Dimension (W x D x H)	364 x 253 x 134 mm (14.3 x 10.0 x 5.3 in.) (without tray) 364 x 324 x 250 mm (14.3 x 12.8 x 9.8 in.) (with tray)
Weight	3.0 Kg (6.6 lb) (including handset)
Power source	See Rating Label attached on the back of the machine.
Resolution	Copy Standard/Fine: 300 x 300 dpi Super Fine/Photo: 600 x 300 dpi Faxing Standard: 100 x 200 dpi Fine: 200 x 200 dpi Super Fine: 400 x 200 dpi
Speed dials	100
ECM mode	YES
Grey scale	64 levels
User memory capacity	512 Kbyte (capable of 40 pages at ITU#1 test chart) (2.5% coverage on A4)
Ink Cartridge Part Number	HP 701 (17ml) (CC635A)

A sample of ITU #1 test chart (reduced to 60.5%)

THE SLEREXE COMPANY LIMITED

SAPORS LANE - BOOLE - DORSET - BH 25 8 ER

TELEPHONE BOOLE (945 13) 51617 - TELEX 123456

Our Ref. 350/PJC/EAC

18th January, 1972.

Dr. P.N. Cundall
Mining Surveys Ltd.,
Holroyd Road,
Reading,
Berks.

Dear Pete,

Permit me to introduce you to the facility of facsimile transmission.

In facsimile a photocell is caused to perform a raster scan over the subject copy. The variations of print density on the document cause the photocell to generate an analogous electrical video signal. The signal is used to modulate a carrier, which is transmitted to a remote destination over a radio or cable communications line.

At the remote terminal, demodulation reconstructs the video signal, which is use dot modulate the density of print produced by a printing device. This device is scanning in a raster scan synchronised with that at the transmitting terminal. As a result, a facsimile copy of the subject document is produced.

Probably you have uses for this facility in your organisation.

Yours Sincerely,

Phil.

P.J. CROSS
Group Leader - Facsimile Research

Registered in England: No. 2038
Registered Office: 60 Vicars Lane, Hford, Essex.

Environmental product stewardship program

Protecting the environment

Hewlett-Packard Company is committed to providing quality products in an environmentally sound manner. This product has been designed with several attributes to minimize impacts on our environment. For more information, visit HP Commitment to the Environment website at:

<http://www.hp.com/go/environment>

Ozone production

This product generates no appreciable ozone gas (O₃).

Paper use

This product is suited for the use of recycled paper according to DIN 19309.

Plastics

Plastic parts over 25 grams are marked according to international standards that enhance the ability to identify plastics for recycling purposes at the end of the product's life.

Material safety data sheets

Material Safety Data Sheets (MSDS) can be obtained from the HP web site at:

<http://www.hp.com/go/msds>

Customers without Internet access should contact their local HP Customer Care Center.

Recycling program

HP offers an increasing number of product return and recycling programs in many countries, as well as partnering with some of the largest electronic recycling centers throughout the world. HP also conserves resources by refurbishing and reselling some of its most popular products.

This HP product contains the following materials that may require special handling at end-of-life:

- Mercury in the fluorescent lamp in the scanner (<2 mg)
- A lithium battery

This product contains a small Lithium battery that must be removed and disposed of properly at the end of the product's useful life. The battery is located on the main circuit board.

- Battery Part Number: Panasonic CR2032
- Battery Material: Lithium
- Battery Type: Button/Coin Cell Battery
- Quantity Per Product: 1
- Weight: approximately 3 grams
- Lithium Type: Solid
- Battery Manufacturer: Panasonic of Japan

Regulatory notices

The HP Fax meets product requirements from regulatory agencies in your country/region.

Regulatory model identification number

For regulatory identification purposes, your product is assigned a Regulatory Model Number. The Regulatory Model Number for your product is SNPRG-0701. This regulatory number should not be confused with the marketing name (HP 600 Fax series) or product number.

Noise emission statement for Germany

Geräuschemission

LpA < 70 dB am Arbeitsplatz im Normalbetrieb nach DIN 45635 T. 19

Notice to users in the European Economic Area

Notice to users in the European Economic Area



This product is designed to be connected to the analog Switched Telecommunication Networks (PSTN) of the European Economic Area (EEA) countries/regions.

Network compatibility depends on customer selected settings, which must be reset to use the equipment on a telephone network in a country/region other than where the product was purchased. Contact the vendor or Hewlett-Packard Company if additional product support is necessary.

This equipment has been certified by the manufacturer in accordance with Directive 1999/5/EC (annex II) for Pan-European single-terminal connection to the public switched telephone network (PSTN). However, due to differences between the individual PSTNs provided in different countries, the approval does not, of itself, give an unconditional assurance of successful operation on every PSTN network termination point.

In the event of problems, you should contact your equipment supplier in the first instance.

This equipment is designed for DTMF tone dialing and loop disconnect dialing. In the unlikely event of problems with loop disconnect dialing, it is recommended to use this equipment only with the DTMF tone dial setting.

Use Hewlett-Packard support services

www.hp.com/support

If you are unable to find the answer you need in the printed documentation supplied with your product or on the web, you can contact your HP dealer or call the support phone number for your country/region for help.

For the most current list of telephone support numbers, go to **www.hp.com/support**.

Before calling customer support

- 1 Make sure that
 - Your unit is plugged in and turned on.
 - The correct print cartridge is installed properly.
 - The recommended paper is loaded in the input tray.
- 2 Reset your unit by unplugging it and plugging it in again.
- 3 If you need to speak to an HP Customer Support Representative:
 - Have your serial number ready.
 - Print a Self-Test Report.
 - Be prepared to discuss your problem in detail.
- 4 Be near your unit when you call.

Prepare your unit for shipment

If you are requested to send in your unit for service, do the following:

- Remove the print cartridge and place it in an airtight bag so it will not dry out. Do not send the print cartridge with the unit unless asked to do so.
- If you do not have the original packing material, you can request a replacement package set from HP Customer Support. Shipping damage caused by improper packaging is not covered under the warranty.
- Include these items in the box:
 - A brief description of the symptoms (sample prints are helpful).
 - A copy of your sales slip or proof of purchase (to establish the warranty period).
 - Your name, address, and telephone number where you can be reached during the day.

Declaration of Conformity



DECLARATION OF CONFORMITY

according to ISO/IEC 17050-1 and EN 17050-1

DoC #: SNPRG-0701

Supplier's Name: Hewlett-Packard Company
Supplier's Address: Hewlett-Packard Company
 Emerging Markets, Fax & OEM Division
 61 Alexandra Terrace
 #08-01 Harbour Link
 Singapore 119936

Declares, that the product:
Product Name and Model: HP 650 Fax (CB846A) series
Regulatory Model Number: SNPRG-0701
Product Options: All

conforms to the following Product Specifications and Regulations:

EMC: Class B

EN 55022 : 1998 +A1:2000 +A2:2003
 EN 55024 : 1998 +A1:2001 +A2:2003
 EN 61000-3-2:2000 +A2:2005
 EN 61000-3-3:1995 +A1:2001

Safety:

EN 60950-1:2001
 IEC 60950-1:2001

Telecom:

TBR21:1998

The product herewith complies with the requirements of the Low Voltage Directive 2006/95/EC, the EMC Directive 2004/108/EC and the R&TTE Directive 99/5/EC, and carries the CE-marking accordingly.

Additional Information:

This product is assigned a Regulatory Model Number which stays with the regulatory aspects of the design. The Regulatory Model Number is the main product identifier in the regulatory documentation and test reports, this number should not be confused with the marketing name or the product numbers.

 Manager

Local contact for regulatory topics only:

EMEA: Hewlett-Packard GmbH, HQ-TRE, Herrenberger Strasse 140, 71034 Boeblingen, Germany

Hewlett-Packard LIMITED WARRANTY STATEMENT

HP product	Duration of limited warranty
Fax	1 year
Print or Ink cartridges	Until the HP ink is depleted or the "end of warranty" date printed on the cartridge has been reached, whichever occurs first. This warranty does not cover HP ink products that have been refilled, remanufactured, refurbished, misused, or tampered with.
Accessories	1 year unless otherwise stated

A. Extent of limited warranty

1. Hewlett-Packard (HP) warrants to the end-user customer that the HP products specified above will be free from defects in materials and workmanship for the duration specified above, which duration begins on the date of purchase by the customer.
2. For software products, HP's limited warranty applies only to a failure to execute programming instructions. HP does not warrant that the operation of any product will be interrupted or error free.
3. HP's limited warranty covers only those defects that arise as a result of normal use of the product, and does not cover any other problems, including those that arise as a result of:
 - a. Improper maintenance or modification;
 - b. Software, media, parts, or supplies not provided or supported by HP;
 - c. Operation outside the product's specifications;
 - d. Unauthorized modification or misuse.
4. For HP printer products, the use of a non-HP cartridge or a refilled cartridge does not affect either the warranty to the customer or any HP support contract with the customer. However, if printer failure or damage is attributable to the use of a non-HP or refilled cartridge or an expired ink cartridge, HP will charge its standard time and materials charges to service the printer for the particular failure or damage.
5. If HP receives, during the applicable warranty period, notice of a defect in any product which is covered by HP's warranty, HP shall either repair or replace the product, at HP's option.
6. If HP is unable to repair or replace, as applicable, a defective product which is covered by HP's warranty, HP shall, within a reasonable time after being notified of the defect, refund the purchase price for the product.
7. HP shall have no obligation to repair, replace, or refund until the customer returns the defective product to HP.
8. Any replacement product may be either new or like-new, provided that it has functionality at least equal to that of the product being replaced.
9. HP products may contain remanufactured parts, components, or materials equivalent to new in performance.
10. HP's Limited Warranty Statement is valid in any country where the covered HP product is distributed by HP. Contracts for additional warranty services, such as on-site service, may be available from any authorized HP service facility in countries where the product is distributed by HP or by an authorized importer.

B. Limitations of warranty

TO THE EXTENT ALLOWED BY LOCAL LAW, NEITHER HP NOR ITS THIRD PARTY SUPPLIERS MAKES ANY OTHER WARRANTY OR CONDITION OF ANY KIND, WHETHER EXPRESS OR IMPLIED WARRANTIES OR CONDITIONS OF MERCHANTABILITY, SATISFACTORY QUALITY, AND FITNESS FOR A PARTICULAR PURPOSE.

C. Limitations of liability

1. To the extent allowed by local law, the remedies provided in this Warranty Statement are the customer's sole and exclusive remedies.
2. TO THE EXTENT ALLOWED BY LOCAL LAW, EXCEPT FOR THE OBLIGATIONS SPECIFICALLY SET FORTH IN THIS WARRANTY STATEMENT, IN NO EVENT SHALL HP OR ITS THIRD PARTY SUPPLIERS BE LIABLE FOR DIRECT, INDIRECT, SPECIAL, INCIDENTAL, OR CONSEQUENTIAL DAMAGES, WHETHER BASED ON CONTRACT, TORT, OR ANY OTHER LEGAL THEORY AND WHETHER ADVISED OF THE POSSIBILITY OF SUCH DAMAGES.

D. Local law

1. This Warranty Statement gives the customer specific legal rights. The customer may also have other rights which vary from state to state in the United States, from province to province in Canada, and from country to country elsewhere in the world.
2. To the extent that this Warranty Statement is inconsistent with local law, this Warranty Statement shall be deemed modified to be consistent with such local law. Under such local law, certain disclaimers and limitations of this Warranty Statement may not apply to the customer. For example, some states in the United States, as well as some governments outside the United States (including provinces in Canada), may:
 - a. Preclude the disclaimers and limitations in this Warranty Statement from limiting the statutory rights of a consumer (e.g., the United Kingdom);
 - b. Otherwise restrict the ability of a manufacturer to enforce such disclaimers or limitations; or
 - c. Grant the customer additional warranty rights, specify the duration of implied warranties which the manufacturer cannot disclaim, or allow limitations on the duration of implied warranties.
3. THE TERMS IN THIS WARRANTY STATEMENT, EXCEPT TO THE EXTENT LAWFULLY PERMITTED, DO NOT EXCLUDE, RESTRICT, OR MODIFY, AND ARE IN ADDITION TO, THE MANDATORY STATUTORY RIGHTS APPLICABLE TO THE SALE OF THE HP PRODUCTS TO SUCH CUSTOMERS.

HP Limited Warranty

Dear Customer,

You will find below the name and address of the HP entity responsible for the performance of the HP Limited Warranty in your country.

You may have additional statutory rights against the seller based on your purchase agreement. Those rights are not in any way affected by this HP Limited Warranty.

Ireland: Hewlett-Packard Ireland Ltd, 30 Herbert Street IRL-Dublin 2

United Kingdom: Hewlett-Packard Ltd, Cain Road, Bracknell, GB-Berks RG12 1HN

Index

A

- Access Cartridge
 - button 48
- alarm sounds 42
- align cartridge
 - menu 16
- answer ring pattern detection 31
- answer/receive mode 32
- arrow buttons 1
- Auto Journal
 - menu 14
- auto reduction
 - menu 13
- automatic fax redial 25

B

- block junk faxes 28
- bottom view 9
- broadcasting 35
 - menu 15
- broadcasting faxes 35
- buttons
 - Access Cartridge 10
 - Back 11
 - Cancel 11
 - control panel 10
 - Copy 11
 - Favorites 10
 - Loudspeaker 11
 - Menu 11
 - Mode/Contrast 10
 - Mute 11
 - Number keypad 10
 - OK 11
 - Redial/Pause 11
 - Resolution 10
 - Scroll/Volume 11
 - Speed Dial 10
 - Start 11
 - Symbols 10

C

- Caller ID 28
 - junk faxes 28
 - list 28
 - report 44
 - turning on 28
- Caller ID menu 14
- Cancel
 - button 11
- cancel schedule
 - menu 15
- cancelling a scheduled job 38
- cartridge
 - cleaning 52
 - maintenance 47
 - part number 65
 - replacing 48
- changing language 13
- clean cartridge
 - menu 16
- cleaning the fax 54
- clearing jams
 - document 50
- clearing memory 45
- clearing paper jams 51
- contrast 24
 - default 15
 - menu 15
- control panel buttons 10
- copies
 - collate 3, 4
 - making 3
 - multiple 3, 4
 - options 3, 4
 - reduce or enlarge 3, 4
- Copy 11
 - Button 11
- copy
 - collate 4
 - number of copies 4
 - print order 4
 - zoom 4
- Copy button 11

D

- date and time 41
- date, setting 41
- dates 18
- delayed fax 15, 36
- Dial Mode 15
- dialing
 - automatic fax redial 25
- discard size
 - (see also auto reduction) 14
 - menu 14
- distinctive ring 31
 - menu 15
- distribution list. See broadcasting faxes
- document feeder
 - number of pages 7
- document jams 50
- documents
 - load 2
 - number of pages 2
- DRPD 31

E

- ECM mode 65
 - menu 14
- entering 18
- error messages 56
- EXT. port 9
- extension phone
 - fax receiving 26

F

- Favorites 29
 - button 10
- fax forwarding 15
- fax header 42
- fax memory
 - number of pages 7
- FAX mode 33
- fax name 42
- fax number 42
- fax problems 59
- fax receiving 3
- fax tones. See sounds
- faxes
 - reprinting 44

faxing

- color documents 25
 - images/embedded pictures 25
- ## forwarding
- faxes 15, 38
- ## front panel 10
- front view 8

G

- getting help 70

H

- HANDSET port 9
- help 70
- help list 44
- HP Fax
 - parts of 8
- HP support 70

I

- image TCR 30
 - menu 15
- ink cartridge
 - maintenance 52
 - part number 47, 64
 - replacing 48
- ink level 16
 - cartridge 47
- ITU #1 chart 66

J

- jams
 - clearing paper 51
 - document 50
 - paper 51
- journal 14
- junk fax
 - blocking 28
 - report 44
- junk faxes 14

K

- key sounds 42

L

- language 13
 - menu 13
- LINE port 9
- loading documents 2
- loading paper 1
- Loudspeaker
 - button 11
- loudspeaker 16, 46
 - button 11

M

- making a copy 3
- man fax rcv code
 - menu 14
- memory
 - clearing 45
- menu
 - BASIC FAX, options 13
 - button 11
 - picture 12
 - using 17
- menu setting
 - language 13
- messages
 - displayed 56
- mode/contrast
 - button 10
- mute
 - button 11

N

- number keypad 10

O

- OK
 - button 11
- one-touch
 - dialling 21
- out of ink 16
- out of paper. See reprinting faxes

P

- paper
 - loading 1

- not recommended 22
 - number of sheets 2
 - size 22
 - type 22
- paper jams 51, 62
- paper size 63
 - menu 13
- paper tray
 - capacity 7
- part number
 - ink cartridge 64
- pause 20
- phone book 20, 44
 - dialing 21
 - print 21
 - searching 21
- photo
 - faxing 25
- polling 15, 36
 - receive 37
 - send 37
- ports
 - location of 9
- print cartridge
 - ink level 47
 - maintenance 52
 - part number 47, 64
 - replacing 48
- print fax 44
- print quality
 - self test 48
- print quality problems 61

R

- ready mode 17
- rear view 8
- received journal 44
- receiving faxes 32
- redial/pause
 - button 11
- redialing
 - automatic fax redial 25
 - redial a number in memory 46
- regulatory information 69

- reports 43, 44
 - Caller ID 44
 - junk fax 44
 - phone book 44
 - printing faxes 44
 - received journal 44
 - schedule inform 44
 - sending confirm 44
 - sent journal 44
 - system data 44
- reprinting faxes 44
- resolution 24
 - button 10
 - default 15
 - menu 15
- ring pattern detection 15, 31
- ring volume 25
- rings to answer 27
 - menu 14

S

- scanner adjustment 56
- scanner area
 - cleaning 54
- schedule a fax 36
- schedule inform 44
- scheduled fax 15
- scheduled faxes 44
- scheduled job
 - cancelling 38
- scheduled jobs
 - cancelling 15
- scroll/volume
 - button 11
- see answer mode 3
- self test 48
 - menu 16
- sending confirm 44
 - image TCR 15
 - menu 13
- sent journal 44
- set broadcasting
 - menu 15
- set delayed fax
 - menu 15

- set fax forward
 - menu 15
- set junk fax no
 - menu 14
- set polling send
 - menu 15
- setting date and time 41
- setting fax number 42
- silent mode
 - daily data 42
 - daily schedule 13
 - menu 13
- sounds
 - alarm 42
 - keys 42
 - on and off 41
 - WakeUp 41
- speaker volume 25
- speed dial
 - button 10
 - programming 20
 - using 20
- speed dials
 - number of 7
- start
 - button 11
- supplies
 - print cartridge 47
- symbols
 - button 10
- system data 44

T

- TAM mode 33
- TEL mode 33
- telephone
 - dialing 4
- telephone numbers
 - entering 18
- text
 - entering 18
- time, setting 41

- troubleshooting
 - fax problems 59
 - messages 56
 - paper feeding 62
 - print quality 61

U

- unwanted faxes 14

V

- view ink level
 - menu 16
- volume
 - ring 25
 - speaker 25

W

- WakeUp 41
- WakeUp sounds 41
- warranty 72

© 2008 Hewlett-Packard Development Company, L.P.

www.hp.com

Printed in Germany



CB846-90001



Free Manuals Download Website

<http://myh66.com>

<http://usermanuals.us>

<http://www.somanuals.com>

<http://www.4manuals.cc>

<http://www.manual-lib.com>

<http://www.404manual.com>

<http://www.luxmanual.com>

<http://aubethermostatmanual.com>

Golf course search by state

<http://golfingnear.com>

Email search by domain

<http://emailbydomain.com>

Auto manuals search

<http://auto.somanuals.com>

TV manuals search

<http://tv.somanuals.com>