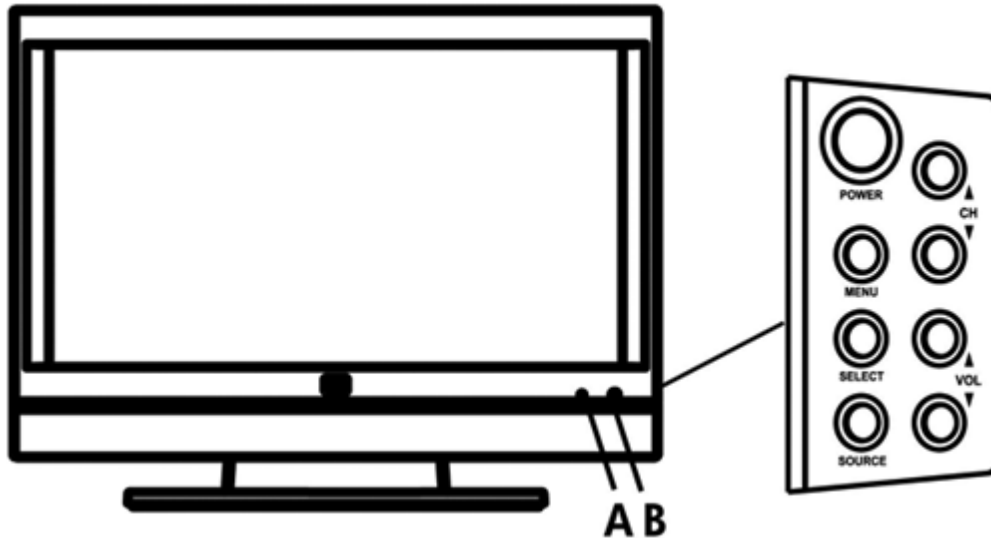


Overview

(1080p LCD TV)



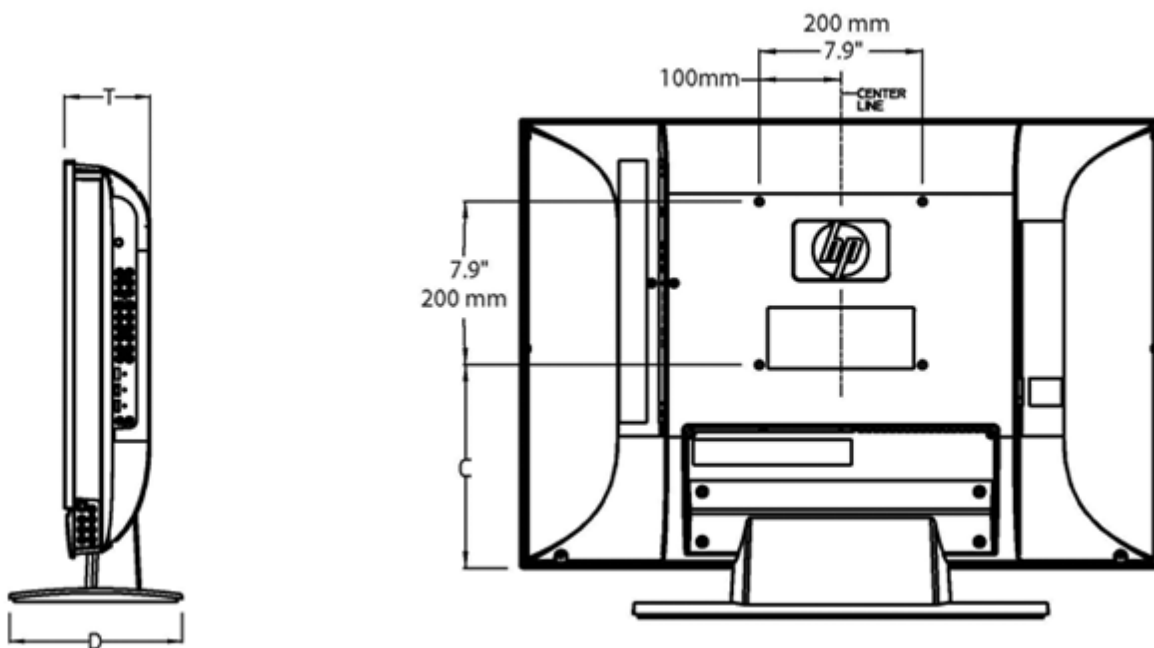
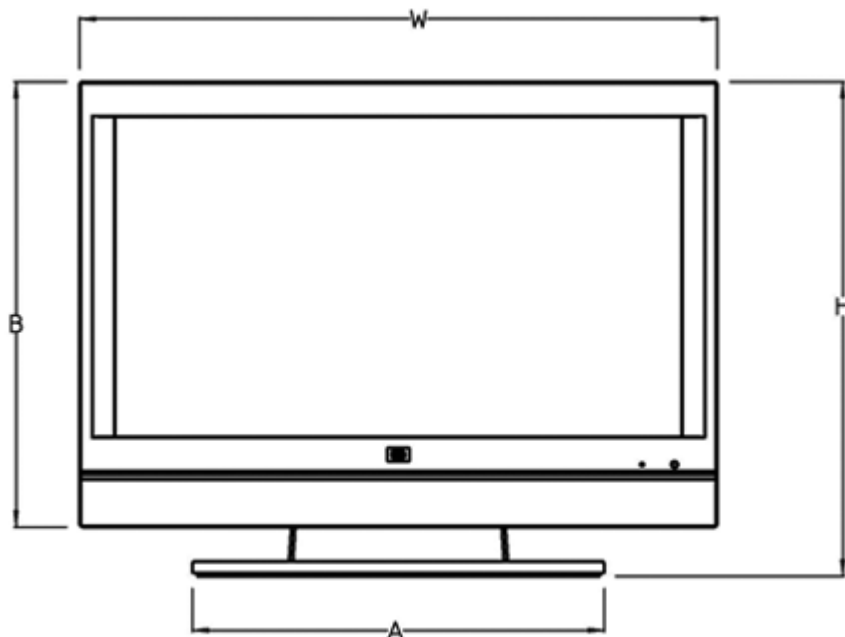
- | | | | | | | | |
|--|--|---|--|--|--|---|--|
| <p>A. Power light shows whether the TV is on or off. The light is blue when TV is plugged in but turned off. The light is amber while the TV is powering up after you turn it on, and turns off after about 30 seconds. The light is off when the TV is not plugged in.</p> | <p>B. Remote control sensor is the location where you point the remote control.</p> | <p>POWER Turns the TV on or off.</p> | <p>MENU Opens (or closes) the onscreen display (OSD).</p> | <p>SELECT Select starts the Auto Sync function for a connected PC signal source. In the OSD menu, selects the highlighted item.</p> | <p>SOURCE Source selects the input source: Press Source to open the list of input sources. Press the Channel buttons to select the input source, and press Select. Press Source to close the list. In the OSD menu, functions as the Back button, or moves up one item or menu level.</p> | <p>CH Channel buttons select the next lower or higher channel. In the OSD menu, move up or down in the menu.</p> | <p>VOL Volume buttons increase or decrease the sound level. In an OSD menu, move right or left in the menu or adjust an item.</p> |
|--|--|---|--|--|--|---|--|

Models

GJ583AA #ABA

Overview

Dimensions



Reference

W	H	A	B	T	D	C
40.0 in (101.6 cm)	29.0 in (73.7 cm)	22.0 in (55.9 cm)	26.6 in (67.6 cm)	5.3 in (13.5 cm)	11.0 in (27.9 cm)	14.0 in (35.6 cm)

Technical Specifications

Panel	Type	Active matrix, thin film transistor (TFT)
	Viewable Image Area (diagonal)	42.2 in (107.2 cm) maximum viewable
	Screen Opening (W x H)	36.8 x 20.8 in (93.3 x 52.7 cm)
	Viewing Angle (typical) ¹	176 degrees horizontal
	Brightness (typical) ¹	500 cd/m ²
	Contrast Ratio (typical) ¹	1200:1
	Response Time (typical) ¹	8 ms
	Panel Life (Half Brightness) ²	60000 hours
	Supported Resolutions	640 x 480 @ 60 Hz, 720 x 400 @ 70 Hz (VGA); all VESA modes up to 1360 x 768 @ 85.5 MHz; 1920 x 1080 @ 74.25 MHz (EIA)
	Supported Inputs	480i, 480p, 720p, 1080i, 1080p (HDMI only)
	Surface Treatment	Anti-glare Hardcoating
Tuning	Digital Tuner (ATSC/NTSC/Clear-QAM)	Yes, 1
Video Enhancers	3D Digital Comb Filter	Yes
	HP Visual Fidelity Engine	Yes
	3D Color Enrichment	Yes
	Video Noise Reduction	Yes
	Photorealistic Sharpness Enhancement	Yes
	3:2 Pulldown	Yes
	Motion-adaptive deinterlacer	Yes
Audio	No. of Speakers	2
	Audio Output (Total)	20 watts
	Speaker Type	Integrated (Bottom)
	Dolby Digital Out	Yes
	Virtual Surround Sound	Theater, Music Hall
	SAP/MTS	Yes

Technical Specifications

Connectivity	HDMI	3 (1080p)
	Component In (YPbPr)	2
	Composite/S-Video In	2
	PC input	1 (RGB-VGA)
	Antenna In (RF)	1
	HDMI Audio In (RCA)	1 (HDMI 1)
	PC Audio Input	1 (3.5 mm)
	Total AV Audio In	4 (L/R RCA)
	Audio Out (Analog)	1
	Digital Audio Out	1 (Optical)
	RS-232c	1
	USB (Service Only)	1
	Convenience	OSD Languages
Custom Input Presets		Yes
Custom Input Labeling		Yes
Closed Captioning		Yes
V-Chip		Yes
Favorite Channels		Yes
Sleep/On-off		Yes
Control Panel Lockout		Yes
Advanced RS-232 Commands (refer to Installation guide for full RS-232 command support)	OSD Lockout	Yes
	Power Management	Yes
	Set Source Power ON	Yes
	Channel Lock	Yes
	Set Channel Power ON	Yes
	Adjustable Set Volume	Yes
	Direct Input Selection	Yes
	Picture Setting Control	Yes
	Volume Setting Control	Yes
	Video Blanking	Yes
Accessories	Stand	Detachable (Included)
	Speakers	Bottom (Included)
	Remote	TV Only (Included)
	Cables	VGA (16.4 ft/5m)
	Wall-mounts	Optional/recommended
Power	Power Supply	120V AC 60 Hz
	Typical Power Consumption	300 watts
	Standby Power Consumption	< 1 watt

Technical Specifications

Mechanical	Dimensions (H x W x D)	Unpacked with stand	40.0 x 29.0 x 11.0 in (101.6 x 73.66 x 27.94 cm)
		Display head only (without stand)	40.0 x 26.6 x 5.3 in (101.6 x 67.56 x 13.46 cm)
		Packaged	33.6 x 45.5 x 14.6 in (85.3 x 115.6 x 37.1 cm)
	Weight	Unpacked with stand	61.6 lb (27.94 kg)
		Unpacked (without stand)	52.8 lb (23.95 kg)
		Packaged	79.2 lb (36 kg)
Environmental	Temperature – Operating	32° to 95° F (0° to 35°C) (non-condensing)	
	Temperature – Non-operating	-4° to 122° F (-20° to 50°C)	
	Humidity – Operating	20% to 80%	
	Humidity – Non-operating	10% to 90%	
	Additional Information	This product is in compliance with the Restrictions of Hazardous Substances (RoHS) Directive, 2002/95/EC.	
Other	User Guide Languages	English, French, LA Spanish	
	Warranty Languages	English, French, LA Spanish	
	Box Contents	Remote control with batteries, US power cord, users manual, warranty and support guide, Quick Start guide, 16.4-ft (5-m) VGA cable, cable management clip	
	Color	Black, semi-gloss finish	
	VESA External Mounting	Yes (standard 4 hole pattern, 200 mm)	
	Security and Convenience	Kensington Lock slot	
Certification and Compliance	Energy Star Qualified TV, FCC Approval, BETS-7, C-UL, UL Listed		
Service and Warranty	Two years parts and labor. Extended, optional three-year warranty available.		

¹ All performance specifications represent the typical specifications provided by HP's component manufacturers; actual performance may vary either higher or lower.

² The life is determined as the time at which luminance is 50% compared to that of initial value at the typical lamp current on condition of continuous operation at 25±°C. 60,000 hours equates to more than twenty-three years at seven hours a day viewing.

© Copyright 2007 Hewlett-Packard Development Company, L.P.

The information contained herein is subject to change without notice. The only warranties for HP products and services are set forth in the express warranty statements accompanying such products and services. Nothing herein should be construed as constituting an additional warranty. HP shall not be liable for technical or editorial errors or omissions contained herein.

Free Manuals Download Website

<http://myh66.com>

<http://usermanuals.us>

<http://www.somanuals.com>

<http://www.4manuals.cc>

<http://www.manual-lib.com>

<http://www.404manual.com>

<http://www.luxmanual.com>

<http://aubethermostatmanual.com>

Golf course search by state

<http://golfingnear.com>

Email search by domain

<http://emailbydomain.com>

Auto manuals search

<http://auto.somanuals.com>

TV manuals search

<http://tv.somanuals.com>