



# Maintenance and Service Guide

HP Pavilion ze2000 Notebook PC  
Compaq Presario M2000 Notebook PC

Document Part Number: 377608-002

July 2005



The information and procedures included in this *Maintenance and Service Guide* apply to HP Pavilion ze2000 Notebook PC and Compaq Presario M2000 Notebook PC models equipped with Intel processors.

---

This guide is a troubleshooting reference used for maintaining and servicing the computer. It provides comprehensive information on identifying computer features, components, and spare parts; troubleshooting computer problems; and performing computer disassembly procedures.

© Copyright 2005 Hewlett-Packard Development Company, L.P.

Microsoft and Windows are U.S. registered trademarks of Microsoft Corporation. Intel, Pentium, Celeron, and Centrino are trademarks or registered trademarks of Intel Corporation or its subsidiaries in the United States and other countries. Bluetooth is a trademark owned by its proprietor and used by Hewlett-Packard Company under license.

The information contained herein is subject to change without notice. The only warranties for HP products and services are set forth in the express warranty statements accompanying such products and services. Nothing herein should be construed as constituting an additional warranty. HP shall not be liable for technical or editorial errors or omissions contained herein.

Maintenance and Service Guide  
HP Pavilion ze2000 Notebook PC  
Compaq Presario M2000 Notebook PC  
Second Edition June 2005  
First Edition February 2005  
Document Part Number: 377608-002

---

# Contents

## **1 Product Description**

- 1.1 Features . . . . . 1-2
- 1.2 Resetting the Computer. . . . . 1-5
- 1.3 Power Management. . . . . 1-5
- 1.4 External Components . . . . . 1-6
- 1.5 Design Overview. . . . . 1-32

## **2 Troubleshooting**

- 2.1 Computer Setup. . . . . 2-1
- 2.2 Troubleshooting Flowcharts . . . . . 2-7

## **3 Illustrated Parts Catalog**

- 3.1 Serial Number Location . . . . . 3-1
- 3.2 Computer Major Components. . . . . 3-2
- 3.3 Miscellaneous Plastics Kit . . . . . 3-12
- 3.4 Mass Storage Devices . . . . . 3-14
- 3.5 Miscellaneous . . . . . 3-16
- 3.6 Sequential Part Number Listing . . . . . 3-18

## **4 Removal and Replacement Preliminaries**

- 4.1 Tools Required . . . . . 4-1
- 4.2 Service Considerations . . . . . 4-2
- 4.3 Preventing Damage to Removable Drives . . . . . 4-3
- 4.4 Preventing Electrostatic Damage . . . . . 4-4
- 4.5 Packaging and Transporting Precautions . . . . . 4-5
- 4.6 Workstation Precautions . . . . . 4-6
- 4.7 Grounding Equipment and Methods . . . . . 4-6

## **5 Removal and Replacement Procedures**

5.1	Serial Number . . . . .	5-2
5.2	Disassembly Sequence Chart . . . . .	5-3
5.3	Preparing the Computer for Disassembly . . . . .	5-5
5.4	Hard Drive . . . . .	5-6
5.5	Computer Feet . . . . .	5-10
5.6	Optical Drive . . . . .	5-11
5.7	Memory Module . . . . .	5-13
5.8	Mini PCI Communications Module . . . . .	5-16
5.9	Keyboard Cover . . . . .	5-19
5.10	LED Board . . . . .	5-22
5.11	Keyboard . . . . .	5-24
5.12	Display Assembly . . . . .	5-28
5.13	Base Enclosure . . . . .	5-33
5.14	Speaker Assembly . . . . .	5-39
5.15	Heat Sink . . . . .	5-41
5.16	Fan . . . . .	5-43
5.17	Processor . . . . .	5-45
5.18	Battery Connector Board . . . . .	5-47
5.19	Power Connector Board . . . . .	5-50
5.20	USB/S-Video Controller Board . . . . .	5-52
5.21	Bluetooth Board . . . . .	5-54
5.22	System Board . . . . .	5-56

## **6 Specifications**

### **A Connector Pin Assignments**

### **B Power Cord Set Requirements**

### **C Screw Listing**

### **Index**

---

## Product Description

The HP Pavilion ze2000 Notebook PC ❶ and the Compaq Presario M2000 Notebook PC ❷ offer advanced modularity, Intel® Mobile Pentium® M and Celeron® M processors, and extensive multimedia support.



*HP Pavilion ze2000 and Compaq Presario M2000*

## 1.1 Features



Numerous references are made throughout this *Maintenance and Service Guide* to “full-featured” and “defeatured” computer models. A model is considered to be full-featured if it has 3 Universal Serial Bus ports and the following components:

- S-Video-out jack
- Expansion port 2
- 6-in-1 Digital Media Reader slot

A computer model is considered to be defeatured if it has only 2 Universal Serial Bus ports and none of the components in the preceding list.

---

- The following processors are available, varying by computer model:
    - ❑ Intel Pentium M 745 (1.8-GHz) with 400-MHz front-side bus (FSB)
    - ❑ Intel Pentium M 735 (1.7-GHz) with 400-MHz FSB
    - ❑ Intel Pentium M 725 (1.6-GHz) with 400-MHz FSB
    - ❑ Intel Pentium M 715 (1.5-GHz) with 400-MHz FSB
    - ❑ Intel Pentium M 715A (1.5-GHz) with 400-MHz FSB
    - ❑ Intel Celeron M 380 (1.6-GHz) with 400-MHz FSB
    - ❑ Intel Celeron M 370 (1.5-GHz) with 400-MHz FSB
    - ❑ Intel Celeron M 360 (1.4-GHz) with 400-MHz FSB
    - ❑ Intel Celeron M 350 (1.3-GHz) with 400-MHz FSB
    - ❑ Intel Celeron M 320 (1.3-GHz) with 400-MHz FSB
- 



Full-featured models feature both Intel Pentium M and Celeron M processors. Defeatured models feature only Celeron M processors.

---

- 15.0-inch XGA (1024 × 768) TFT display with over 16.7 million colors
- 80-, 60-, or 40-GB high-capacity hard drive, varying by computer model
- 256-MB DDR2 synchronous DRAM (SDRAM) at 400 MHz, expandable to 1.0 GB
- Microsoft® Windows® XP Home Edition or Windows XP Professional, varying by computer model
- Full-size Windows keyboard with embedded numeric keypad
- TouchPad pointing device with dedicated scroll regions
- Integrated 10Base-T/100 Base-TX Ethernet local area network (LAN) network interface card (NIC) with RJ-45 jack
- Integrated high-speed 56K modem with RJ-11 jack
- Integrated wireless support for Mini PCI IEEE 802.11b and 802.11b/g WLAN device
- Support for one Type II PC Card slot, with support for both 32-bit (CardBus) and 16-bit PC Cards
- External 65-watt AC adapter with 3-wire power cord
- 6-cell or 12-cell Li-Ion battery pack
- Stereo speakers with volume up and down buttons
- Support for the following optical drives:
  - 8X DVD-ROM Drive
  - 24X DVD/CD-RW Combo Drive
  - 8X DVD±RW/R and CD-RW Combo Drive
  - 8X DVD±RW/R and CD-RW Dual Layer Combo Drive

- Connectors:
  - ❑ External monitor port
  - ❑ Universal Serial Bus (USB) v. 2.0 (up to 3 ports)
  - ❑ RJ-11 (modem) jack
  - ❑ RJ-45 (network) jack
  - ❑ Audio-out (headphone) jack
  - ❑ Audio-in (microphone) jack
  - ❑ Power
  - ❑ IEEE 1394 digital port
  - ❑ S-Video-out jack (select models only)
  - ❑ Expansion port 2 (select models only)
  - ❑ 6-in-1 Digital Media Reader slot (select models only)



## 1.2 Resetting the Computer

If the computer you are servicing has an unknown password, follow these steps to clear the password. These steps also clear CMOS:

1. Prepare the computer for disassembly (refer to [Section 5.3, “Preparing the Computer for Disassembly,”](#) for more information).
2. Remove the real-time clock (RTC) battery (refer to [Section 5.22, “System Board,”](#) for more information).
3. Wait approximately 5 minutes.
4. Replace the RTC battery and reassemble the computer.
5. Connect AC power to the computer. Do not reinsert any battery packs at this time.
6. Turn on the computer.

All passwords and all CMOS settings have been cleared.

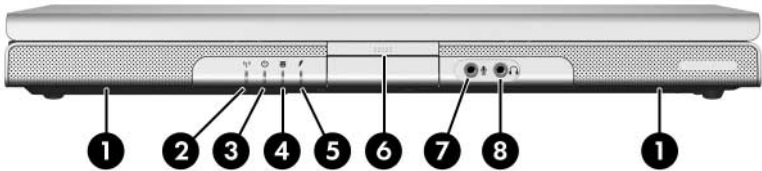
## 1.3 Power Management

The computer comes with power management features that extend battery operating time and conserve power. The computer supports the following power management features:

- Standby
- Hibernation
- Setting customization by the user
- Hotkeys for setting the level of performance
- Battery calibration
- Lid switch standby/resume
- Power/standby button
- Advanced Configuration and Power Management (ACPM) compliance

## 1.4 External Components

The external components on the front of the HP Pavilion ze2000 computer are shown below and described in Table 1-1.

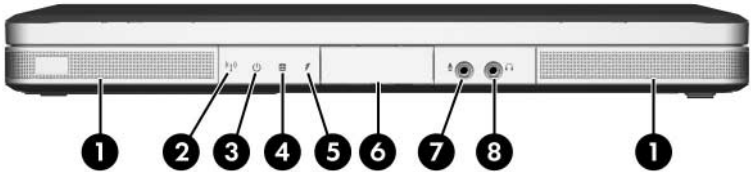


Front Components, HP Pavilion ze2000

**Table 1-1**  
**Front Components**  
**HP Pavilion ze2000**

Item	Component	Function
1	Speakers (2)	Produce stereo sound.
2	Wireless light (select models only)	On: One or more optional internal wireless devices, such as a WLAN and/or a Bluetooth® device (select models only), are turned on.
3	Power/standby light	<ul style="list-style-type: none"> <li>■ On: Computer is turned on.</li> <li>■ Blinking: Computer is in standby.</li> <li>■ Off: Computer is off or in hibernation.</li> </ul>
4	IDE (Integrated Drive Electronics) drive light	On or blinking: The internal hard drive or an optical drive is being accessed.
5	Battery light	<ul style="list-style-type: none"> <li>■ On: The battery pack is charging.</li> <li>■ Blinking: The battery pack has reached a low-battery condition.</li> <li>■ Off: The battery pack is fully charged or not inserted.</li> </ul>
6	Display release button	Opens the computer.
7	Audio-in (microphone) jack	Connects an optional monaural (single sound channel) microphone.
8	Audio-out (headphone) jack	Connects optional headphones or powered stereo speakers. Also connects the audio function of an audio/video device such as a television or VCR.

The external components on the front of the Compaq Presario M2000 are shown below and described in Table 1-2.

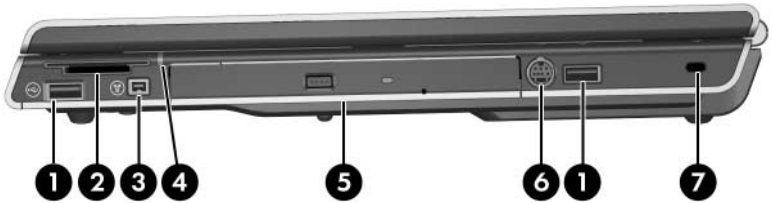


*Front Components, Compaq Presario M2000*

**Table 1-2**  
**Front Components**  
**Compaq Presario M2000**


<b>Item</b>	<b>Component</b>	<b>Function</b>
1	Speakers (2)	Produce stereo sound.
2	Wireless light (select models only)	On: One or more optional internal wireless devices, such as a WLAN and/or a Bluetooth device (select models only), are turned on.
3	Power/standby light	<ul style="list-style-type: none"> <li>■ On: Computer is turned on.</li> <li>■ Blinking: Computer is in standby.</li> <li>■ Off: Computer is off or in hibernation.</li> </ul>
4	IDE (Integrated Drive Electronics) drive light	On or blinking: The internal hard drive or an optical drive is being accessed.
5	Battery light	<ul style="list-style-type: none"> <li>■ On: The battery pack is charging.</li> <li>■ Blinking: The battery pack has reached a low-battery condition.</li> <li>■ Off: The battery pack is fully charged or not inserted.</li> </ul>
6	Display release button	Opens the computer.
7	Audio-in (microphone) jack	Connects an optional monaural (single sound channel) microphone.
8	Audio-out (headphone) jack	Connects optional headphones or powered stereo speakers. Also connects the audio function of an audio/video device such as a television or VCR.

The external components on the right side of the HP Pavilion ze2000 are shown below and described in Table 1-3.

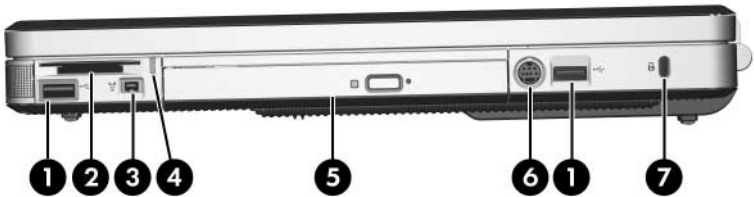


*Right-Side Components, HP Pavilion ze2000*

**Table 1-3**  
**Right-Side Components**  
**HP Pavilion ze2000**

Item	Component	Function
1	USB ports (1 or 2 depending on the computer model)	Connect an optional USB device.
2	6-in-1 Digital Media Reader slot (select models only)	Supports an optional digital memory card.
3	1394 port (select models only)	Connects an optional 1394a device such as a scanner, digital camera, or digital camcorder.
4	6-in-1 Digital Media Reader light (select models only)	On: A digital memory card is being accessed.
5	Optical drive	Supports an optical disc.
6	S-Video-out jack (select models only)	Connects an optional S-Video device, such as a television, VCR, camcorder, projector, or video capture card.
7	Security cable slot	Attaches an optional security cable to the computer.   Security solutions are designed to act as deterrents. These deterrents may not prevent a product from being mishandled or stolen.


The external components on the right side of the Compaq Presario M2000 are shown below and described in Table 1-4.



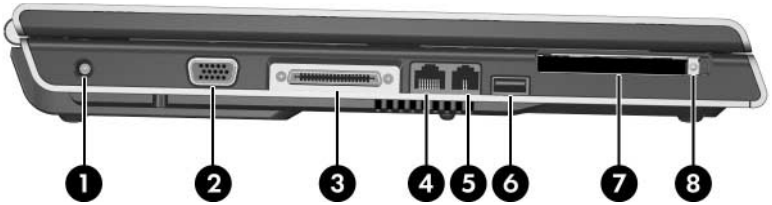
*Right-Side Components, Compaq Presario M2000*



**Table 1-4**  
**Right-Side Components**  
**Compaq Presario M2000**

Item	Component	Function
1	USB ports (1 or 2 depending on the computer model)	Connect optional USB devices.
2	6-in-1 Digital Media Reader slot (select models only)	Supports an optional digital memory card.
3	1394 port (select models only)	Connects an optional 1394a device such as a scanner, digital camera, or digital camcorder.
4	6-in-1 Digital Media Reader light (select models only)	On: A digital memory card is being accessed.
5	Optical drive	Supports an optical disc.
6	S-Video-out jack (select models only)	Connects an optional S-Video device, such as a television, VCR, camcorder, projector, or video capture card.
7	Security cable slot	Attaches an optional security cable to the computer.   Security solutions are designed to act as deterrents. These deterrents may not prevent a product from being mishandled or stolen.

The external components on the left side of the HP Pavilion ze2000 are shown below and described in Table 1-5.



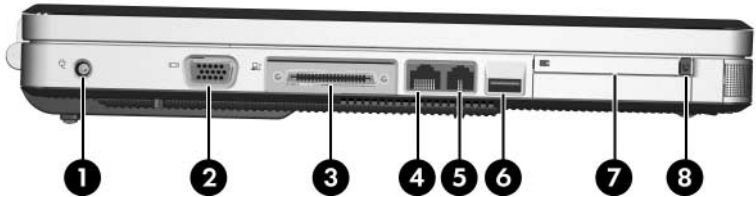
*Left-Side Components, HP Pavilion ze2000*

**Table 1-5**  
**Left-Side Components**  
**HP Pavilion ze2000**

Item	Component	Function
1	Power connector	Connects an AC adapter cable.
2	Monitor port	Connects an optional VGA monitor or projector.
3	Expansion port 2* (select models only)	Connects the computer to an optional docking device.
4	RJ-45 jack	Connects an optional network cable.
5	RJ-11 jack	Connects the modem cable.
6	USB port	Connects an optional USB device.
7	PC Card slot	Supports an optional Type I or Type II 32-bit (CardBus) or 16-bit PC Card.
8	PC Card eject button	Ejects an optional PC Card from the PC Card slot.

\*The computer has only one expansion port. The term *expansion port 2* describes the type of expansion port.

The external components on the left side of the Compaq Presario M2000 are shown below and described in Table 1-6.



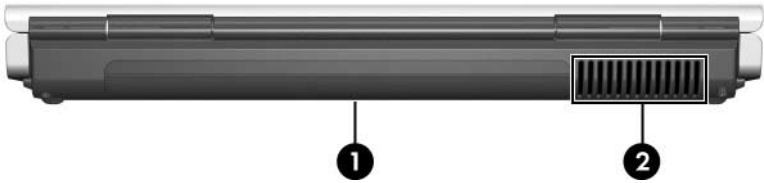
*Left-Side Components, Compaq Presario M2000*

**Table 1-6**  
**Left-Side Components**  
**Compaq Presario M2000**

<b>Item</b>	<b>Component</b>	<b>Function</b>
1	Power connector	Connects an AC adapter cable.
2	Monitor port	Connects an optional VGA monitor or projector.
3	Expansion port 2* (select models only)	Connects the computer to an optional docking device.
4	RJ-45 (network) jack	Connects an optional network cable.
5	RJ-11 (modem) jack	Connects the modem cable.
6	USB port	Connects an optional USB device.
7	PC Card slot	Supports an optional Type I or Type II 32-bit (CardBus) or 16-bit PC Card.
8	PC Card eject button	Ejects an optional PC Card from the PC Card slot.

\*The computer has only one expansion port. The term *expansion port 2* describes the type of expansion port.

The external components on the rear panel of the HP Pavilion ze2000 are shown below and described in Table 1-7.



Rear Panel Components, HP Pavilion ze2000

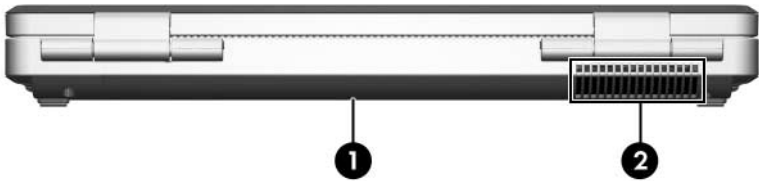
---

**Table 1-7**  
**Rear Panel Components**  
**HP Pavilion ze2000**

Item	Component	Function
1	Battery bay	Holds a battery pack.
2	Exhaust vent	Provides airflow to cool internal components.  △ To prevent overheating, do not obstruct vents. Do not allow a hard surface, such as a printer, or a soft surface, such as pillows, thick rugs, or clothing, to block airflow.

---

The external components on the rear panel of the Compaq Presario M2000 are shown below and described in Table 1-8.



*Rear Panel Components, Compaq Presario M2000*

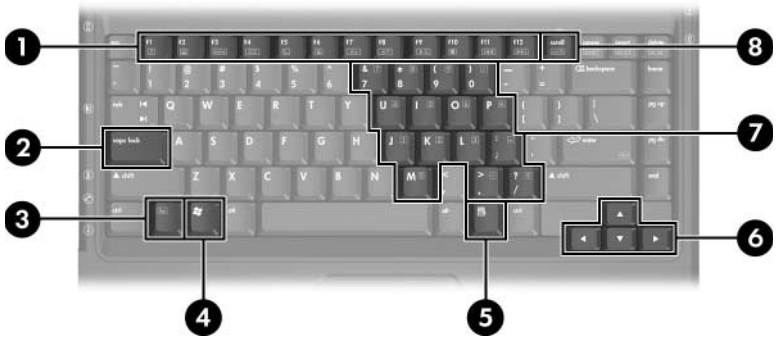
**Table 1-8**

**Rear Panel Components  
Compaq Presario M2000**

Item	Component	Function
1	Battery bay	Holds a battery pack.
2	Exhaust vent	Provides airflow to cool internal components.

△ To prevent overheating, do not obstruct vents. Do not allow a hard surface, such as a printer, or a soft surface, such as pillows, thick rugs, or clothing, to block airflow.

The keyboard components on the HP Pavilion ze2000 are shown below and described in Table 1-9.



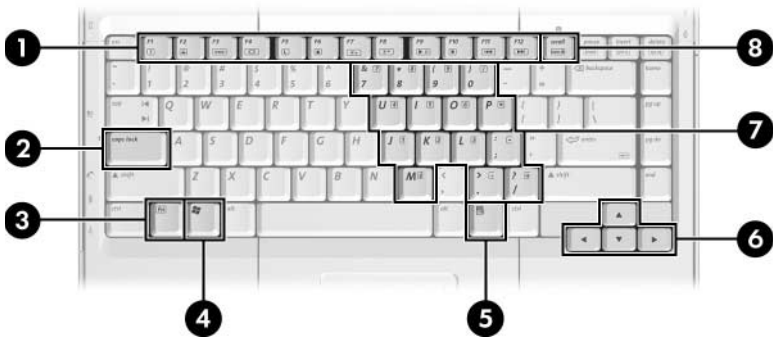
*Keyboard Components, HP Pavilion ze2000*



**Table 1-9**  
**Keyboard Components**  
**HP Pavilion ze2000**

<b>Item</b>	<b>Component</b>	<b>Function</b>
1	Function keys (12)	Perform system and application tasks. When combined with the <b>fn</b> key, several keys perform additional tasks as hotkeys.
2	<b>caps lock</b> key	Enables caps lock and turns on the caps lock light.
3	<b>fn</b> key	Combines with other keys to perform system tasks. For example, pressing <b>fn+f7</b> decreases screen brightness.
4	Windows logo key	Displays the Windows Start menu.
5	Windows applications key	Displays a shortcut menu for items beneath the pointer.
6	Arrow keys	Moves the cursor around the screen.
7	Keypad keys (15)	Can be used like the keys on an external numeric keypad.
8	<b>num lock</b> key	On: Enables numeric lock, turns on the embedded numeric keypad, and turns on the num lock light.

The keyboard components on the Compaq Presario M2000 are shown below and described in Table 1-10.



*Keyboard Components, Compaq Presario M2000*

**Table 1-10**  
**Keyboard Components**  
**Compaq Presario M2000**

<b>Item</b>	<b>Component</b>	<b>Function</b>
1	Function keys (12)	Perform system and application tasks. When combined with the <b>Fn</b> key, the function keys perform additional tasks as hotkeys.
2	<b>caps lock</b> key	Enables caps lock and turns on the caps lock light.
3	<b>Fn</b> key	Combines with other keys to perform system tasks. For example, pressing <b>Fn+F7</b> decreases screen brightness.
4	Windows logo key	Displays the Windows Start menu.
5	Windows applications key	Displays a shortcut menu for items beneath the pointer.
6	Arrow keys	Move the cursor around the screen.
7	Keypad keys (15)	Can be used like the keys on an external numeric keypad.
8	<b>num lock</b> key	Enables numeric lock, turns on the embedded numeric keypad, and turns on the num lock light.

The top components on the HP Pavilion ze2000 are shown below and described in Table 1-11.





Top Components, HP Pavilion ze2000

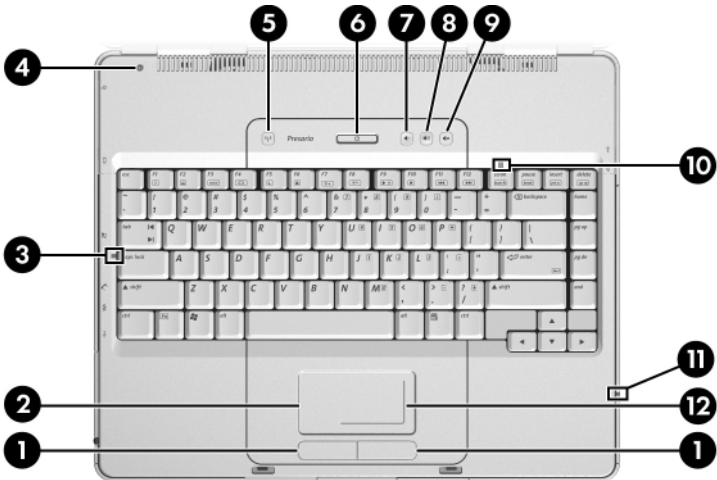
**Table 1-11**  
**Top Components**  
**HP Pavilion ze2000**

Item	Component	Function
1	Left and right TouchPad buttons	Function like the left and right buttons on an external mouse.
2	TouchPad	Moves the pointer.
3	Caps lock light	On: Caps lock is on.
4	Display switch	If the computer is closed while on, initiates standby.

**Table 1-11**  
**Top Components**  
**HP Pavilion ze2000 (Continued)**

Item	Component	Function
5	Power/standby button	<p>When the computer is</p> <ul style="list-style-type: none"> <li>■ Off, press to turn on the computer.</li> <li>■ On, briefly press to initiate hibernation.</li> <li>■ In standby, briefly press to resume from standby.</li> <li>■ In hibernation, briefly press to restore from hibernation.</li> </ul> <p> If the system has stopped responding and Windows shutdown procedures cannot be used, press and hold for at least 4 seconds to turn off the computer.</p>
6	Volume down button	Decreases system volume.
7	Volume mute button Mute light	<p>Mutes or restores volume.</p> <p>On: Volume is muted.</p>
8	Volume up button	Increases system volume.
9	Wireless button (select models only)	<p>Turns the wireless functionality on or off but does not create a wireless connection.</p> <p> To establish a wireless connection, a wireless network must already be set up.</p>
10	Num lock light	On: Num lock or the embedded keypad is on.
11	6-in-1 Digital Media Reader light (select models only)	On: A digital memory card is being accessed.
12	TouchPad vertical scrolling region	Scrolls upward or downward.

The top components on the Compaq Presario M2000 are shown below and described in Table 1-12.



*Top Components, Compaq Presario M2000*


---

**Table 1-12**  
**Top Components**  
**Compaq Presario M2000**

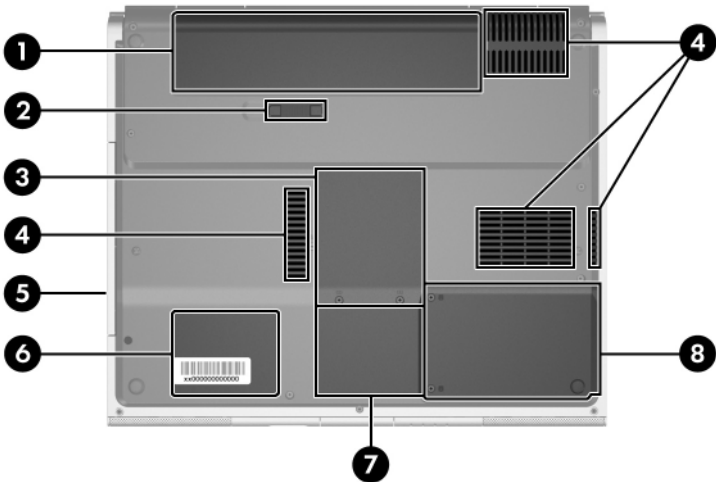
Item	Component	Function
1	Left and right TouchPad buttons	Function like the left and right buttons on an external mouse.
2	TouchPad	Moves the pointer.
3	Caps lock light	On: Caps lock is on.
4	Display switch	If the computer is closed while on, initiates standby.

---

**Table 1-12**  
**Top Components**  
**Compaq Presario M2000 (Continued)**

Item	Component	Function
5	Wireless light (select models only)	On: One or more optional internal wireless devices, such as a WLAN and/or a Bluetooth device (select models only), are turned on.
6	Power/standby button	<p>When the computer is</p> <ul style="list-style-type: none"> <li>■ Off, press to turn on the computer.</li> <li>■ On, briefly press to initiate hibernation.</li> <li>■ In standby, briefly press to resume from standby.</li> <li>■ In hibernation, briefly press to restore from hibernation.</li> </ul> <p> If the system has stopped responding and Windows shutdown procedures cannot be used, press and hold for at least 4 seconds to turn off the computer.</p>
7	Volume down button	Decreases system volume.
8	Volume up button	Increases system volume.
9	Volume mute button Mute light	Mutes or restores volume. On: Volume is muted.
10	Num lock light	On: Num lock or the embedded keypad is on.
11	6-in-1 Digital Media Reader light (select models only)	On: A digital memory card is being accessed.
12	TouchPad vertical and horizontal scroll regions	Scroll upward or downward and left or right.

The external components on the bottom of the HP Pavilion ze2000 are shown below and described in Table 1-13.





Bottom Components, HP Pavilion ze2000

**Table 1-13**  
**Bottom Components**  
**HP Pavilion ze2000**

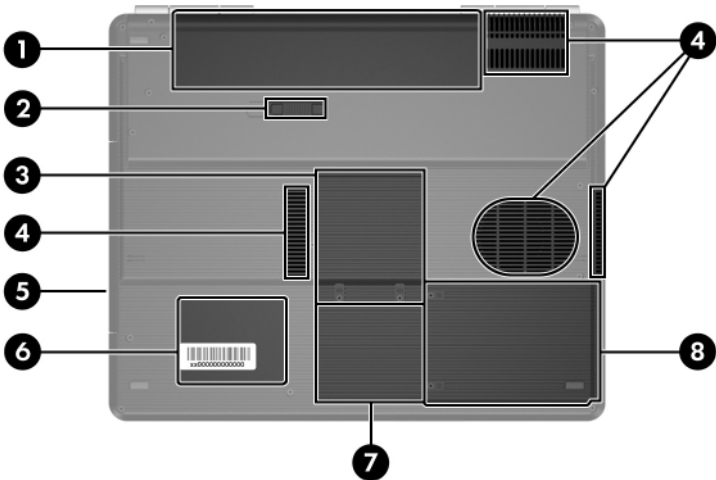
Item	Component	Function
1	Battery bay	Holds a battery pack.
2	Battery pack release latch	Releases a battery pack from the battery bay.
3	Memory module compartment	Contains two memory slots that support replaceable memory modules. The number of preinstalled memory modules varies by computer model.



**Table 1-13**  
**Bottom Components**  
**HP Pavilion ze2000 (Continued)**

Item	Component	Function
4	Exhaust vents (4)	<p>Provide airflow to cool internal components.</p> <p> To prevent overheating, do not obstruct vents. Do not allow a hard surface, such as a printer, or a soft surface, such as pillows, thick rugs or clothing, to block airflow.</p>
5	Optical drive	Supports an optical disc.
6	Label area	Contains the computer serial number and other applicable regulatory labels.
7	Mini PCI compartment	<p>Holds an optional wireless LAN device.</p> <p> To prevent an unresponsive system and the display of a warning message, install only a Mini PCI device authorized for use in the computer by the governmental agency that regulates wireless devices in your country. If you install a device and then receive a warning message, remove the device to restore computer functionality. Then contact Customer Care.</p>
8	Hard drive bay	Holds the internal hard drive.

The external components on the bottom of the Compaq Presario M2000 are shown below and described in Table 1-14.



*Bottom Components, Compaq Presario M2000*



---

**Table 1-14**  
**Bottom Components**  
**Compaq Presario M2000**

Item	Component	Function
1	Battery bay	Holds a battery pack.
2	Battery pack release latch	Releases a battery pack from the battery bay.
3	Memory module compartment	Contains two memory slots that support replaceable memory modules. The number of preinstalled memory modules varies by computer model.

---

**Table 1-14**  
**Bottom Components**  
**Compaq Presario M2000 (Continued)**

Item	Component	Function
4	Exhaust vents (4)	Provide airflow to cool internal components.   To prevent overheating, do not obstruct vents. Do not allow a hard surface, such as a printer, or a soft surface, such as pillows, thick rugs or clothing, to block airflow.
5	Optical drive	Supports an optical disc.
6	Label area	Contains the computer serial number and other applicable regulatory labels.
7	Mini PCI compartment	Holds an optional wireless LAN device.   To prevent an unresponsive system and the display of a warning message, install only a Mini PCI device authorized for use in the computer by the governmental agency that regulates wireless devices in your country. If you install a device and then receive a warning message, remove the device to restore computer functionality. Then contact Customer Care.
8	Hard drive bay	Holds the internal hard drive.

## 1.5 Design Overview

This section presents a design overview of key parts and features of the computer. Refer to [Chapter 3, “Illustrated Parts Catalog,”](#) to identify replacement parts, and [Chapter 5, “Removal and Replacement Procedures,”](#) for disassembly steps.

The system board provides the following device connections:

- Memory module
- Mini PCI communications devices
- Hard drive
- Display
- Keyboard and TouchPad
- Audio
- Intel Pentium M and Celeron M processors
- Fan
- PC Card



**CAUTION:** To properly ventilate the computer, allow at least a 7.6-cm (3-inch) clearance on the left and right sides of the computer.

---

The computer uses an electric fan for ventilation. The fan is controlled by a temperature sensor and is designed to be turned on automatically when high temperature conditions exist. These conditions are affected by high external temperatures, system power consumption, power management/battery conservation configurations, battery fast charging, and software applications. Exhaust air is displaced through the ventilation grill located on the left side of the computer.

---

# Troubleshooting



**WARNING:** Only authorized technicians trained by HP should repair this equipment. All troubleshooting and repair procedures are detailed to allow only subassembly-/module-level repair. Because of the complexity of the individual boards and subassemblies, do not attempt to make repairs at the component level or modifications to any printed wiring board. Improper repairs can create a safety hazard. Any indication of component replacement or printed wiring board modification may void any warranty or exchange allowances.

---

## 2.1 Computer Setup

Computer Setup is a preinstalled, ROM-based utility that can be used even when the operating system is not working or will not load. If the operating system is working, the computer restarts the operating system after you exit Computer Setup.



Pointing devices are not supported in Computer Setup; you must use the keyboard to navigate and make selections.

---

The menu tables later in this chapter provide an overview of Computer Setup options.

## Accessing Computer Setup

The information and settings in Computer Setup are accessed from the **Main**, **Security**, **Advanced**, **Tools**, and **Exit** menus.

1. Open Computer Setup by turning on or restarting the computer. Press **f10** while the “Press <F10> to enter Setup” message is displayed in the lower-left corner of the screen.
  - ❑ To change the language, use the arrow keys to select the **Advanced** menu, select **Language Support**, and then press **f5** or **f6** until the appropriate language is highlighted. Press **f10** to save your selection and exit the **Advanced** menu.
  - ❑ To view navigation information, press **f1**.
  - ❑ To return to the Computer Setup menu, press **Esc**.
2. Select the **Main**, **Security**, **Advanced**, **Tools**, and **Exit** menus.
3. To exit Computer Setup, choose one of the following:
  - ❑ To exit without saving any changes, use the arrow keys to select **Exit > Exit Discarding Changes**, and then follow the instructions on the screen.
  - ❑ To exit and save all the settings you have entered, use the arrow keys to select **Exit > Exit Saving Changes**, and then follow the instructions on the screen.

Your preferences are set when you exit Computer Setup and take effect when the computer restarts.

## Computer Setup Defaults

To return all settings in Computer Setup to the values that were set at the factory:

1. Open Computer Setup by turning on or restarting the computer. Press **F10** while the “Press <F10> to enter Setup” message is displayed in the lower-left corner of the screen.
  - ❑ To change the language, use the arrow keys to select the **Advanced** menu, select **Language Support**, and then press **f5** or **f6** until the appropriate language is highlighted. Press **f10** to save your selection and exit the **Advanced** menu.
  - ❑ To view navigation information, press **f1**.
2. Use the arrow keys to select **Exit > Load Setup Defaults**.
3. Press **f9**.
4. Press enter to confirm the return to default configuration.
5. To confirm the restoration, press **f10**.
6. Select **Exit > Exit Saving Changes**, and then follow the instructions on the screen.

When the computer restarts, the factory settings are restored, and any identification information you have entered is saved.

## Selecting from the Main Menu

---

**Table 2-1**  
**Main Menu**


Select	To Do This
System Information	<ul style="list-style-type: none"><li>■ View identification information about the computer.</li><li>■ View specification information about the processor, memory and cache size, keyboard controller version, and system BIOS.</li></ul>

---

## Selecting from the Security Menu

---

**Table 2-2**  
**Security Menu**

Select	To Do This
Administrator password	Enter, change, or delete an HP Administrator password.
Power-on password	Enter, change, or delete a power-on password.
DriveLock password	Enable/disable DriveLock; change a DriveLock user or master password.   DriveLock Settings are accessible only when you enter Computer Setup by turning on (not restarting) the computer.
Device security	Enable diskette drive or optical drive for inclusion in MultiBoot.

---



## Selecting from the Advanced Menu

**Table 2-3**  
**Advanced Menu**

Select	To Do This
Video Graphic Mode	Select UMA, SidePort, or UMA+SidePort video memory modes.
Dedicated Video Memory	View the size of the on-board video memory.
Total Video Memory	View the size of the total system video memory.
Language Support	Change the Computer Setup language.
Boot Order	Set the boot order.
Accessibility Options	Provides access to electronic and information technology to a wide range of people with disabilities.
Embedded WLAN device	Enable/disable a wireless local area network device.
Embedded Bluetooth device	Enable/disable a Bluetooth device.

## Selecting from the Tools Menu

**Table 2-4**  
**Tools Menu**

Select	To Do This
HDD Self-test	Run a quick or comprehensive self-test on any hard drive in the system.

---

**Table 2-5**  
**Exit Menu**

<b>Select</b>	<b>To Do This</b>
Exit Saving Changes	Save changes entered during the current session. Then exit and restart the computer. The changes you save are in effect when the computer restarts.
Exit Discarding Changes	Cancel changes entered during the current session. Then exit and restart the computer.
Load Setup Defaults	Replace configuration settings in Computer Setup with factory default settings. (Identification information is retained.)

---

## 2.2 Troubleshooting Flowcharts

**Table 2-6**  
**Troubleshooting Flowcharts Overview**

<b>Flowchart</b>	<b>Description</b>
2.1	"Flowchart 2.1—Initial Troubleshooting"
2.2	"Flowchart 2.2—No Power, Part 1"
2.3	"Flowchart 2.3—No Power, Part 2"
2.4	"Flowchart 2.4—No Power, Part 3"
2.5	"Flowchart 2.5—No Power, Part 4"
2.6	"Flowchart 2.6—No Video, Part 1"
2.7	"Flowchart 2.7—No Video, Part 2"
2.8	"Flowchart 2.8—Nonfunctioning Docking Device (if applicable)"
2.9	"Flowchart 2.9—No Operating System (OS) Loading"
2.10	"Flowchart 2.10—No OS Loading, Hard Drive, Part 1"
2.11	"Flowchart 2.11—No OS Loading, Hard Drive, Part 2"
2.12	"Flowchart 2.12—No OS Loading, Hard Drive, Part 3"
2.13	"Flowchart 2.13—No OS Loading, Diskette Drive"

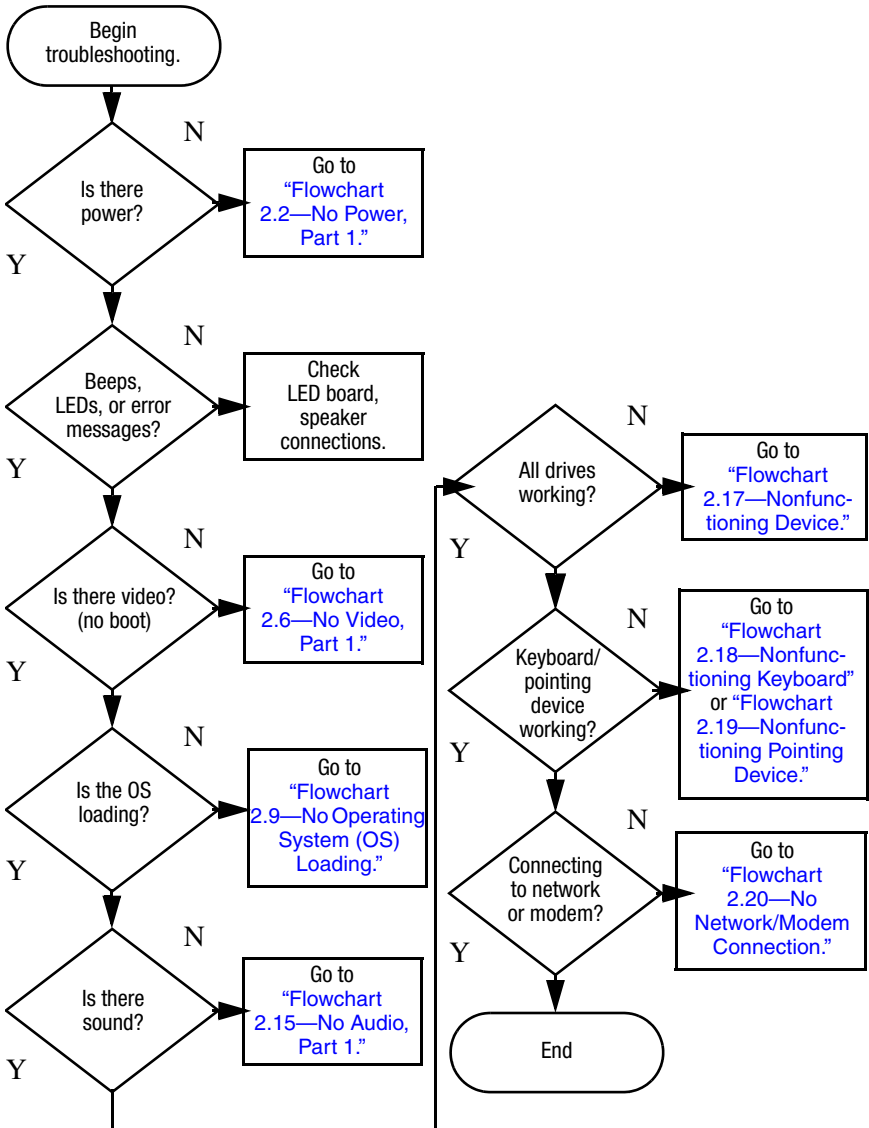
---

**Table 2-6**  
**Troubleshooting Flowcharts Overview (*Continued*)**

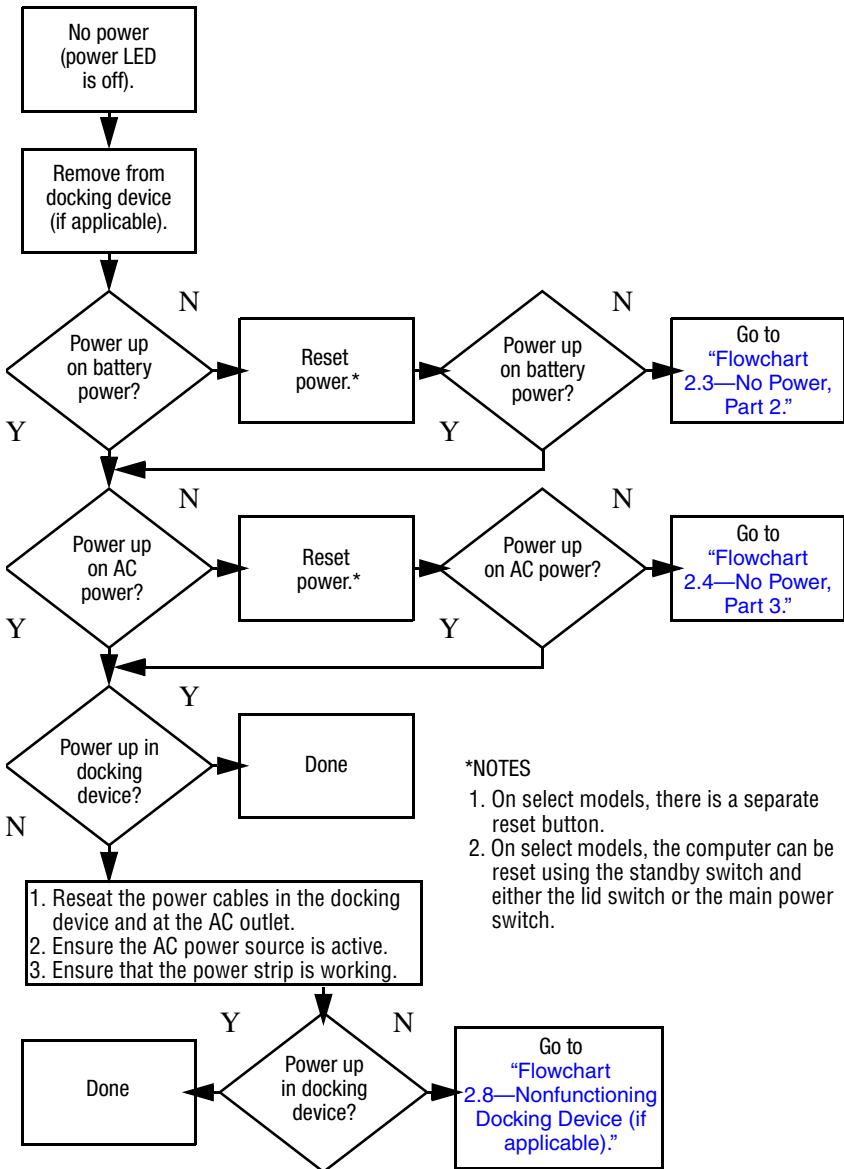
<b>Flowchart</b>	<b>Description</b>
2.14	"Flowchart 2.14—No OS Loading, Optical Drive"
2.15	"Flowchart 2.15—No Audio, Part 1"
2.16	"Flowchart 2.16—No Audio, Part 2"
2.17	"Flowchart 2.17—Nonfunctioning Device"
2.18	"Flowchart 2.18—Nonfunctioning Keyboard"
2.19	"Flowchart 2.19—Nonfunctioning Pointing Device"
2.20	"Flowchart 2.20—No Network/Modem Connection"

---

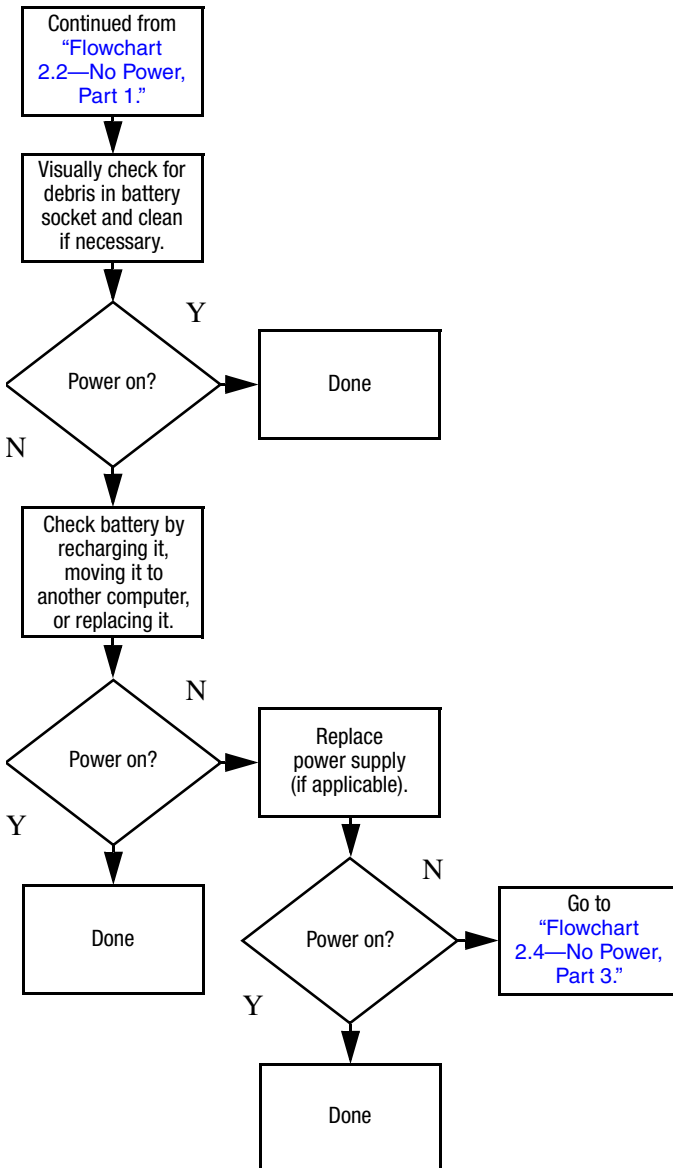
## Flowchart 2.1 – Initial Troubleshooting



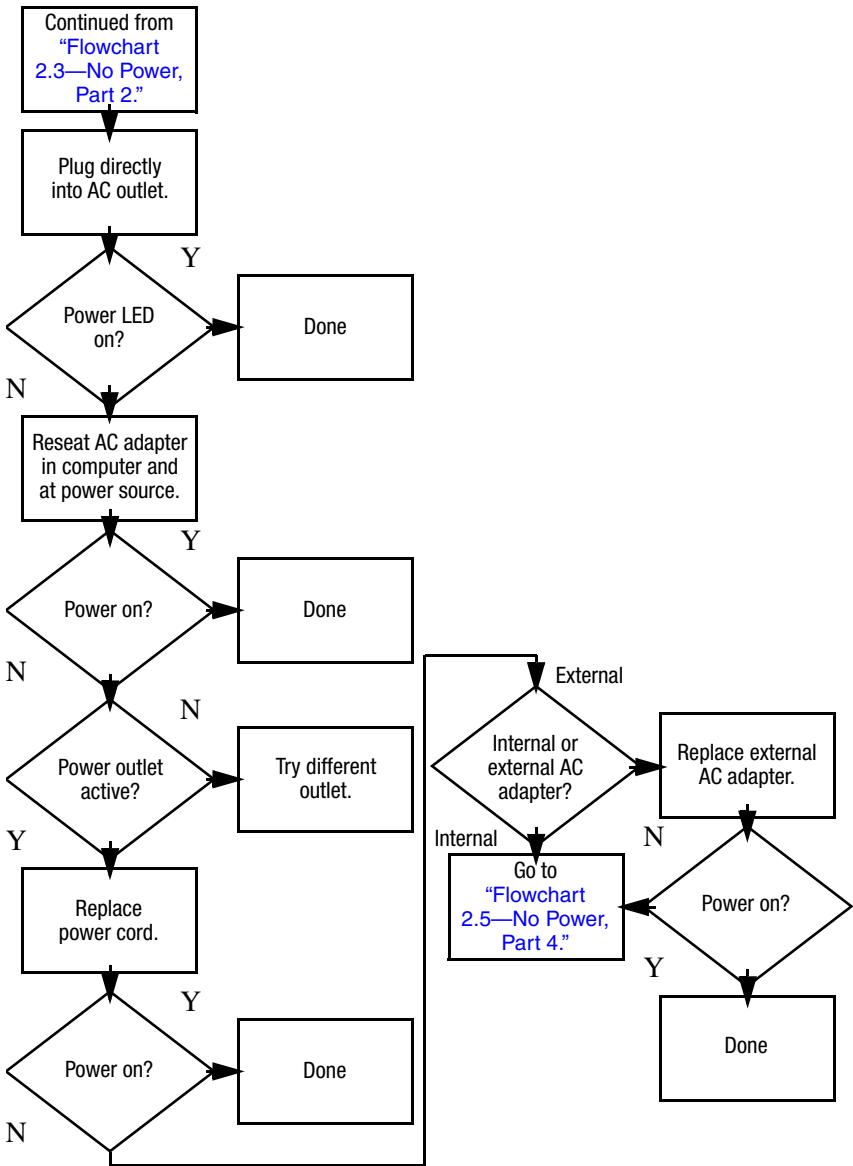
## Flowchart 2.2—No Power, Part 1



## Flowchart 2.3—No Power, Part 2

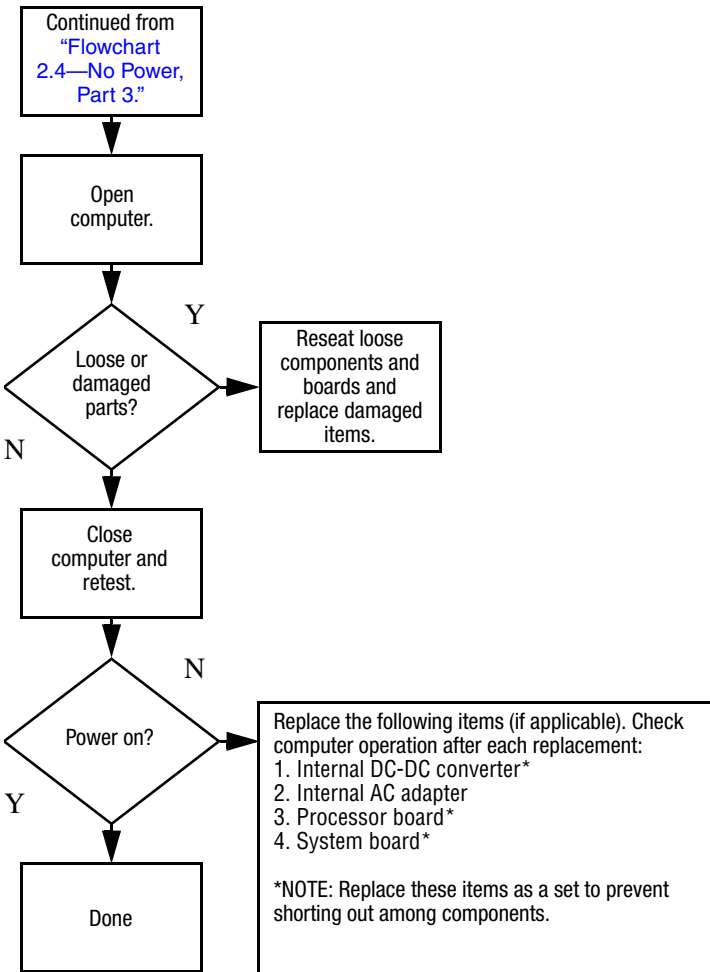


### Flowchart 2.4—No Power, Part 3

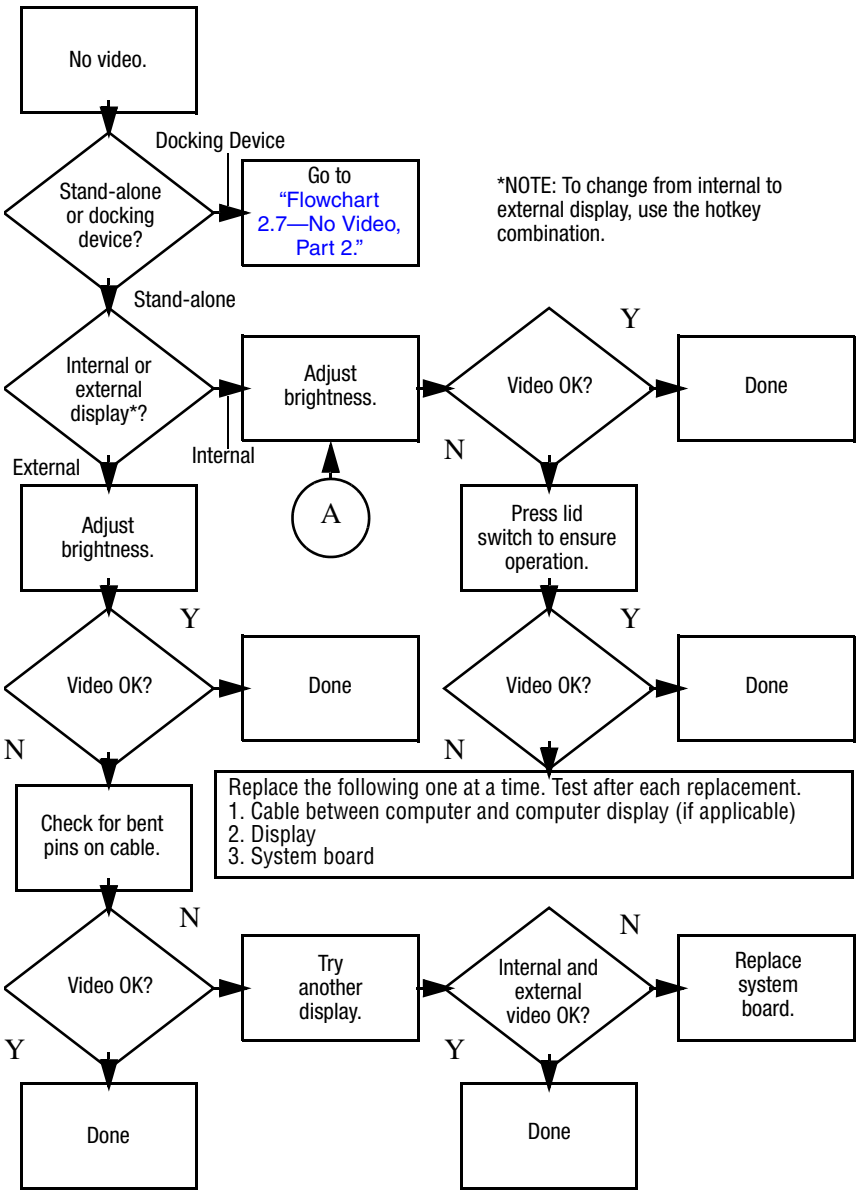




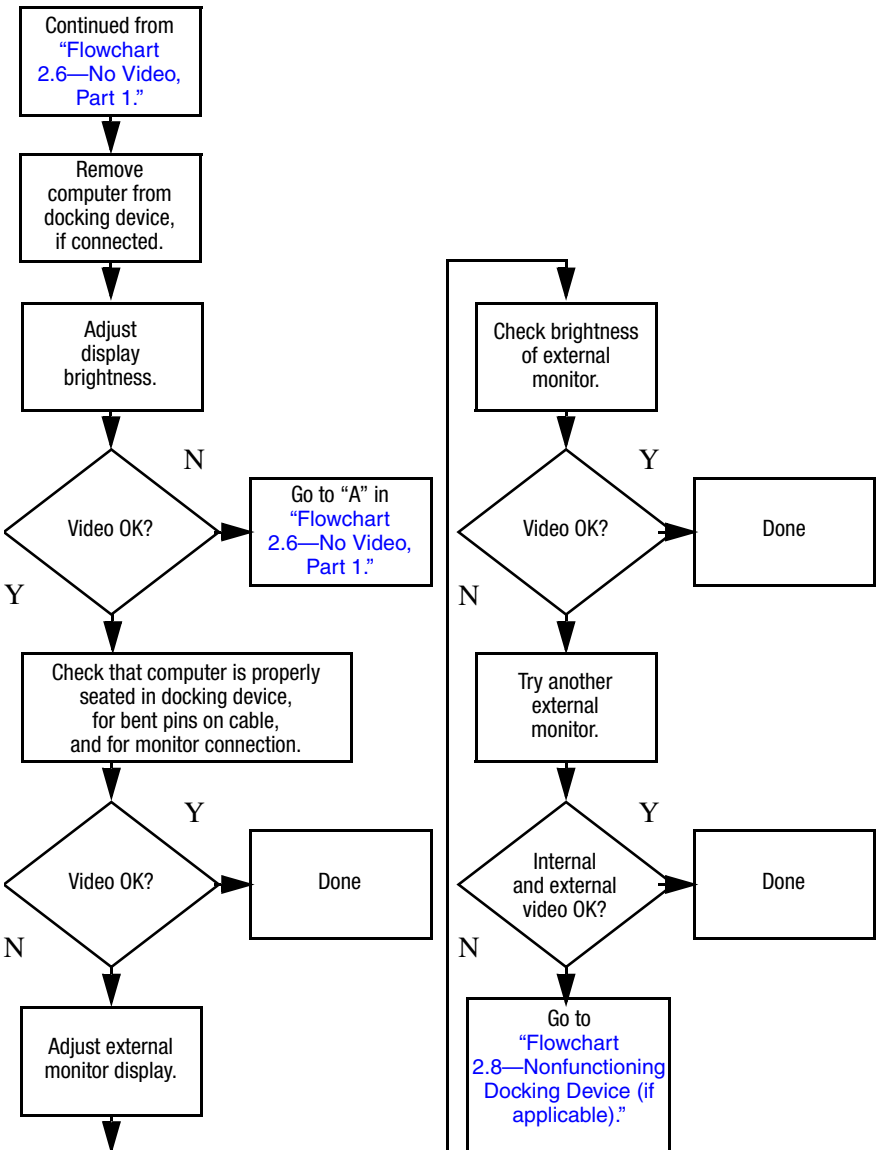
## Flowchart 2.5—No Power, Part 4



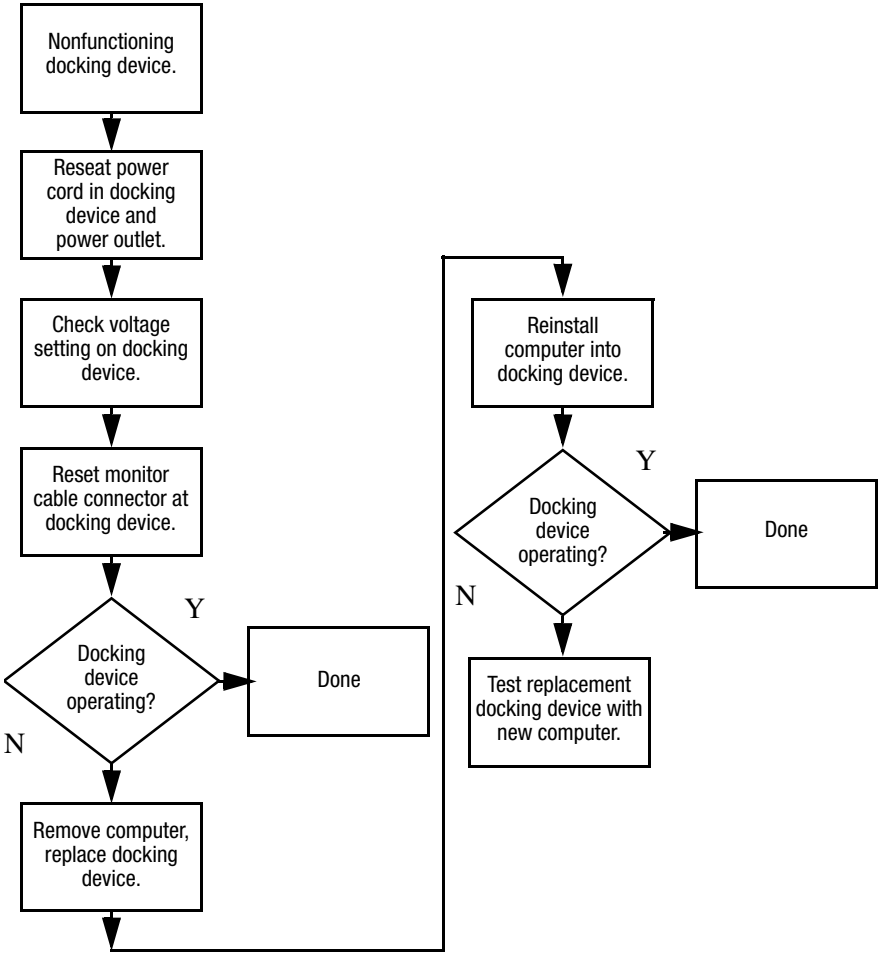
## Flowchart 2.6—No Video, Part 1



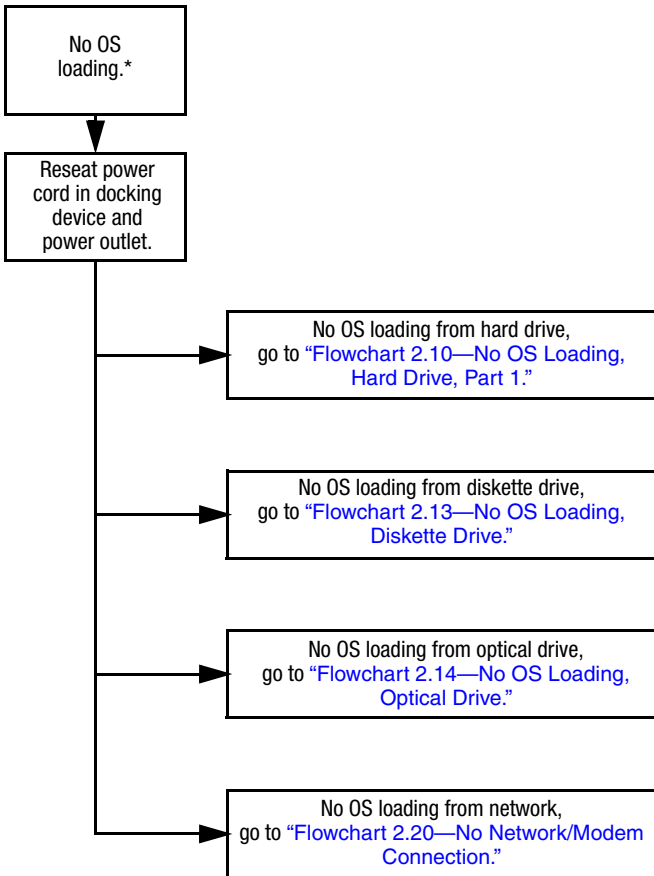
## Flowchart 2.7—No Video, Part 2



## Flowchart 2.8—Nonfunctioning Docking Device (if applicable)

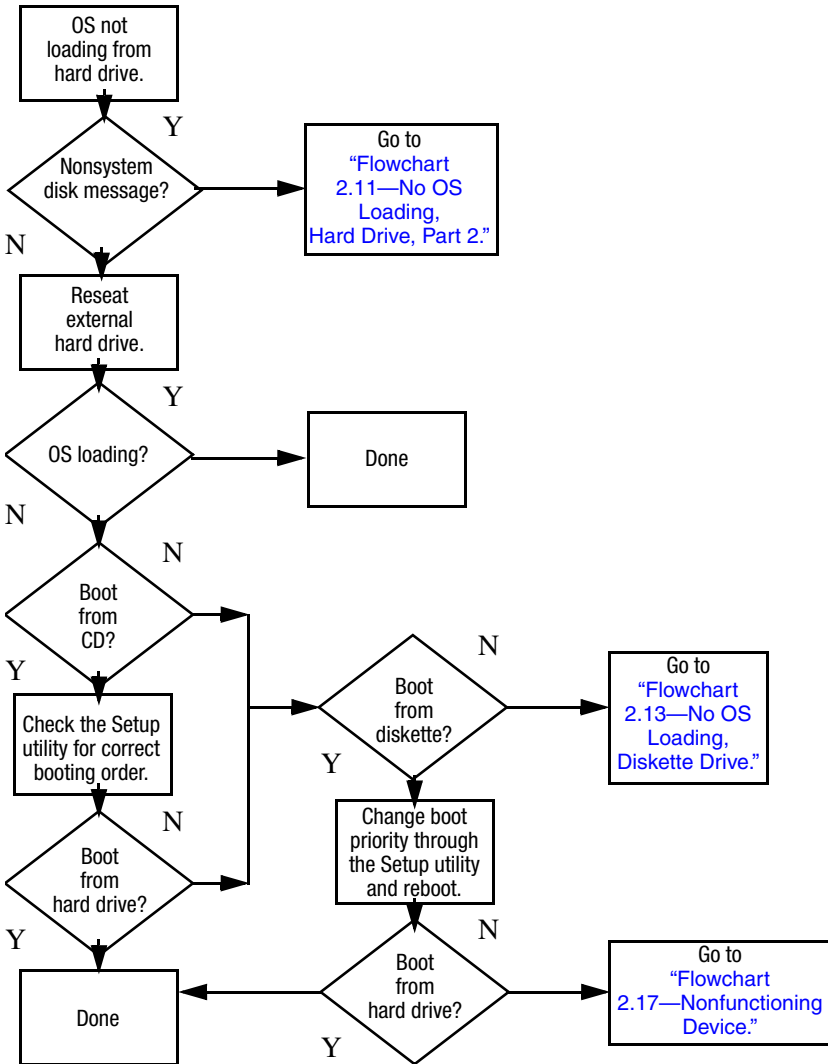


## Flowchart 2.9—No Operating System (OS) Loading

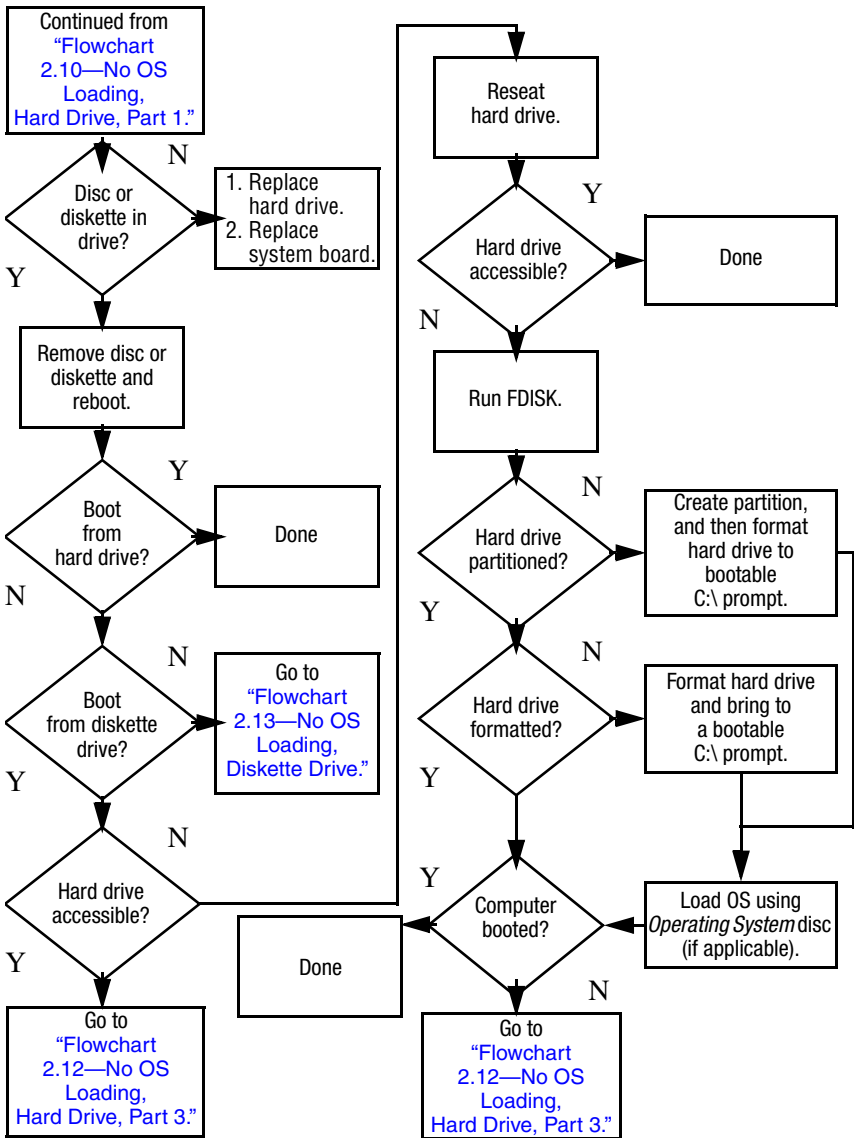


\*NOTE: Before beginning troubleshooting, always check cable connections, cable ends, and drives for bent or damaged pins.

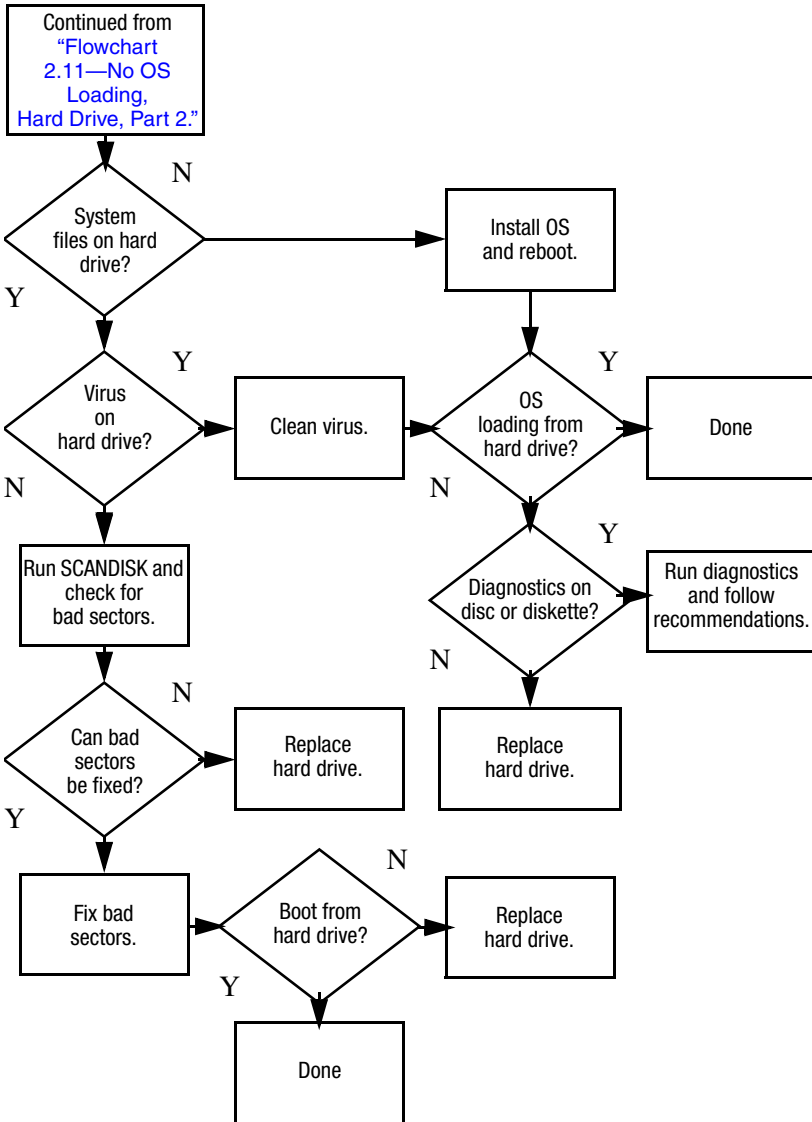
## Flowchart 2.10—No OS Loading, Hard Drive, Part 1



## Flowchart 2.11 – No OS Loading, Hard Drive, Part 2

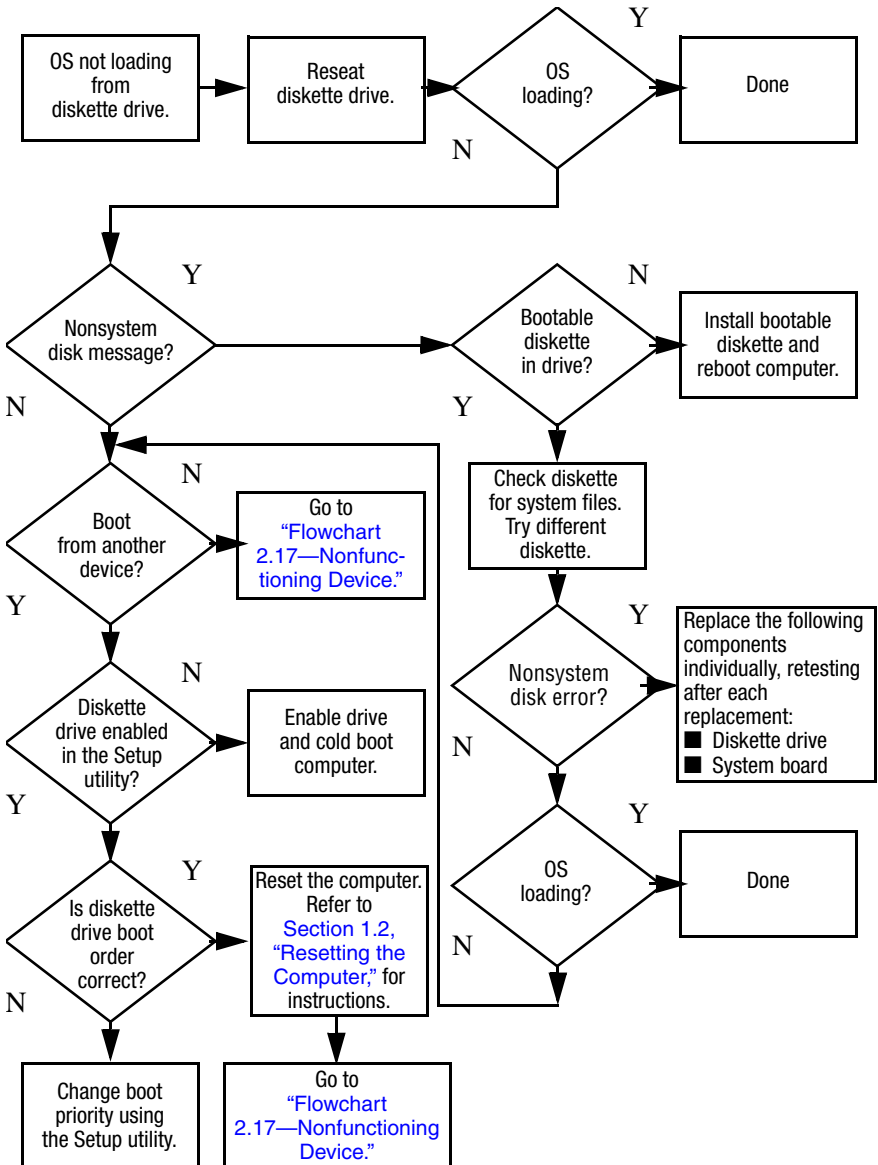


## Flowchart 2.12—No OS Loading, Hard Drive, Part 3

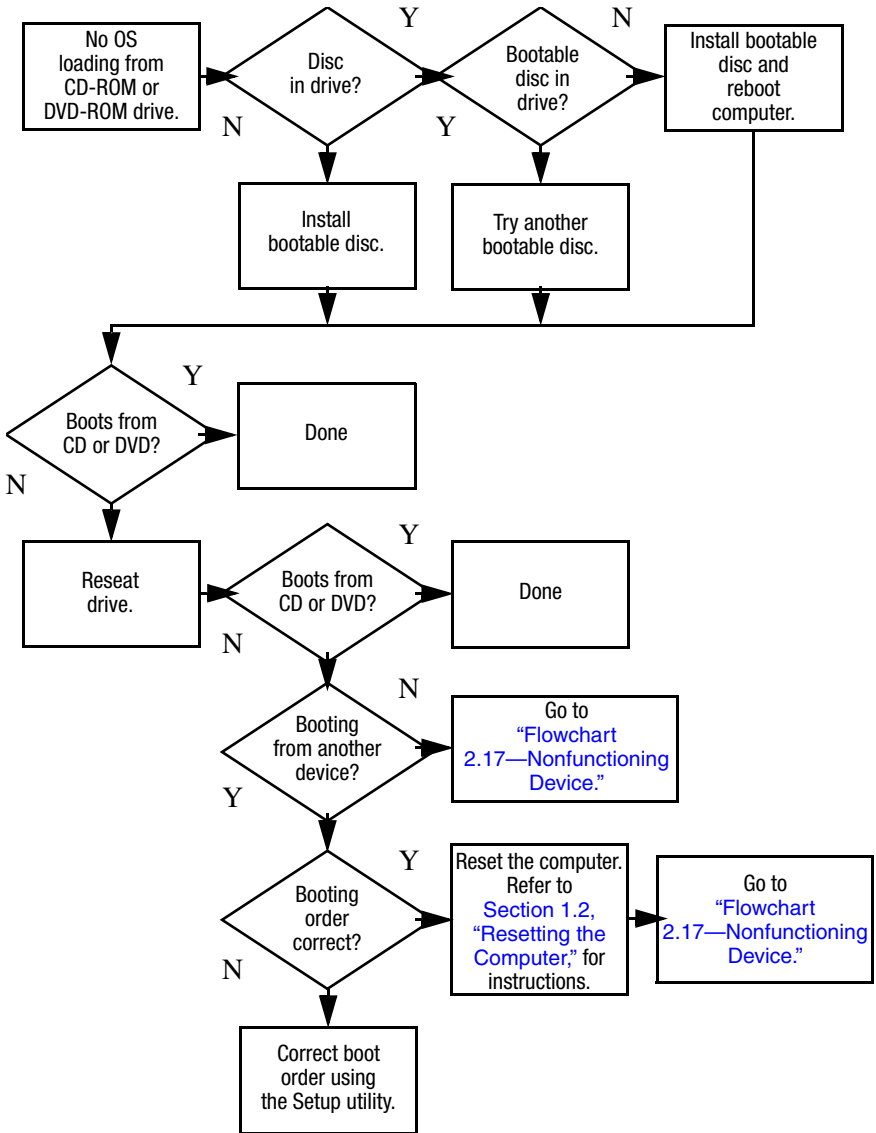




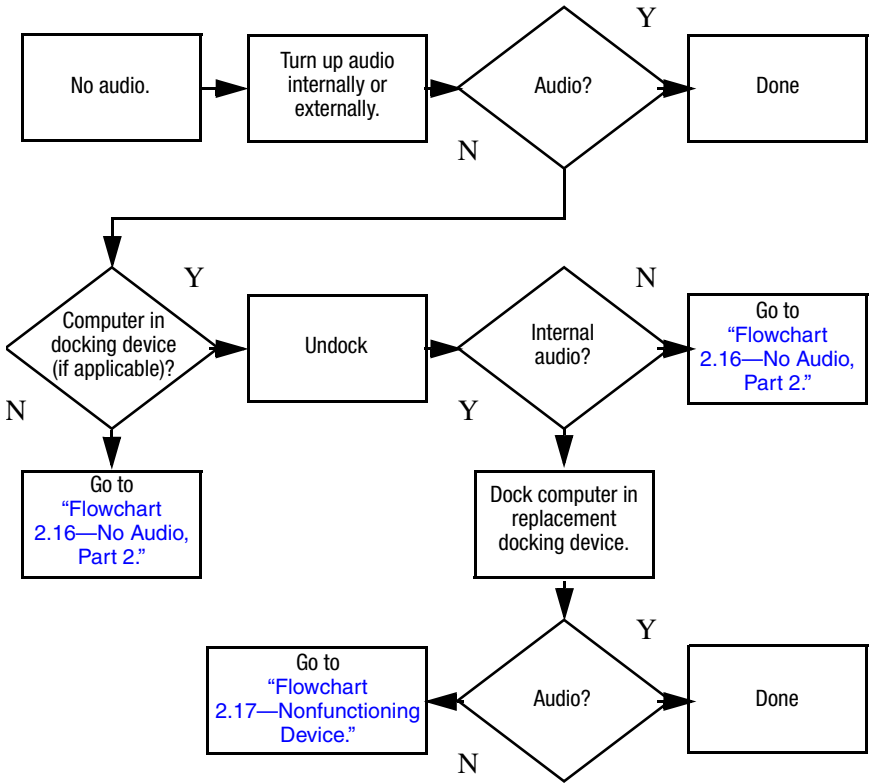
## Flowchart 2.13—No OS Loading, Diskette Drive



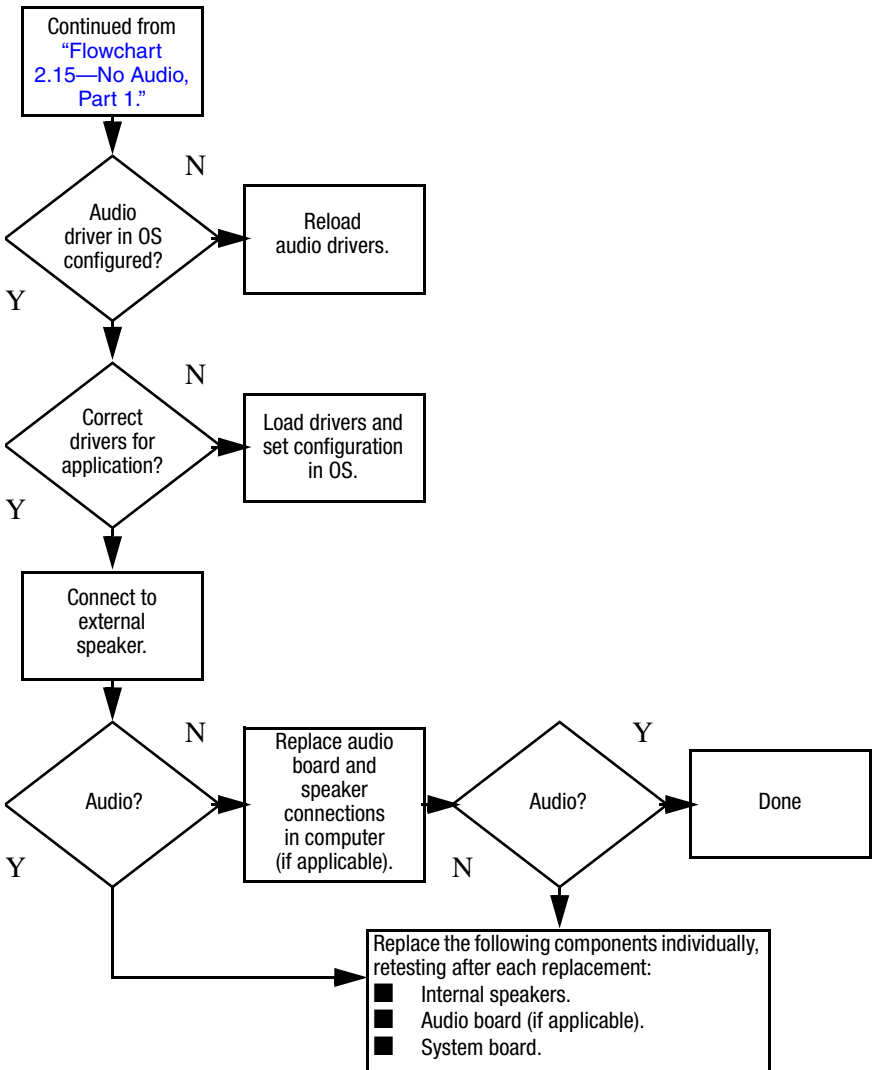
## Flowchart 2.14—No OS Loading, Optical Drive



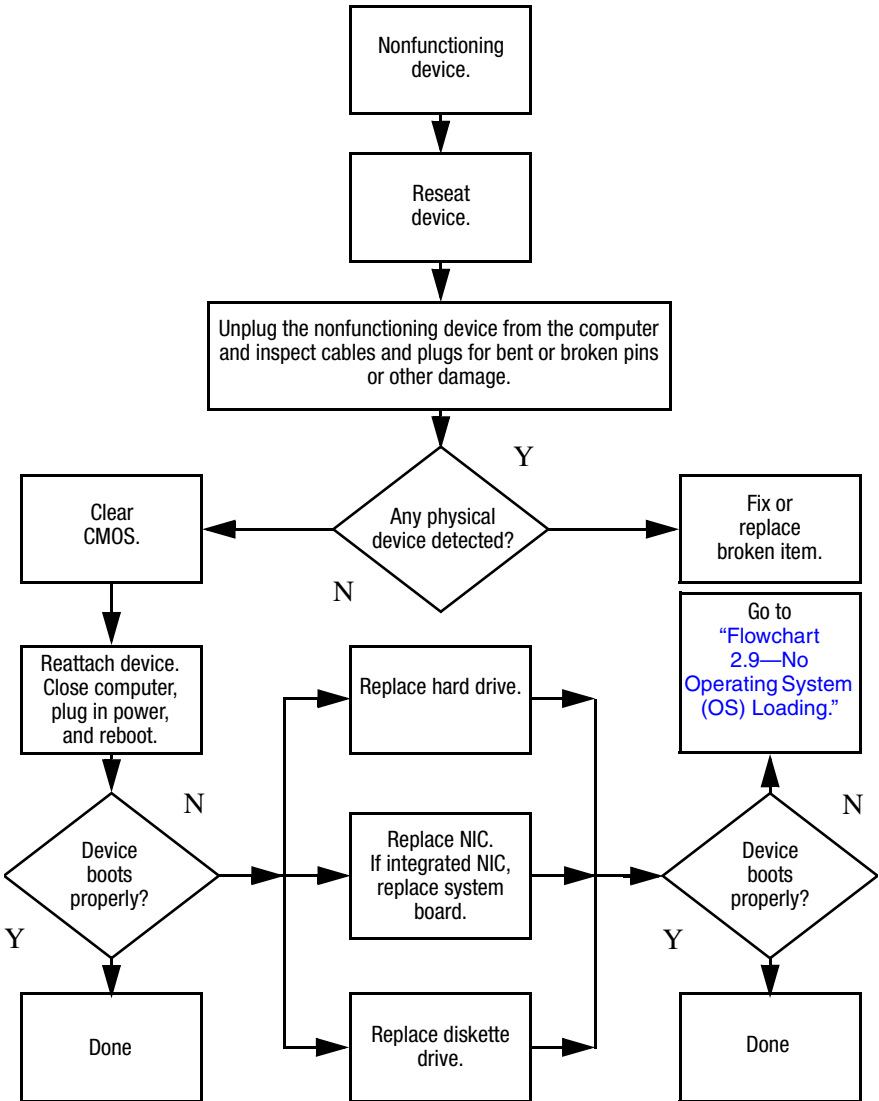
## Flowchart 2.15—No Audio, Part 1



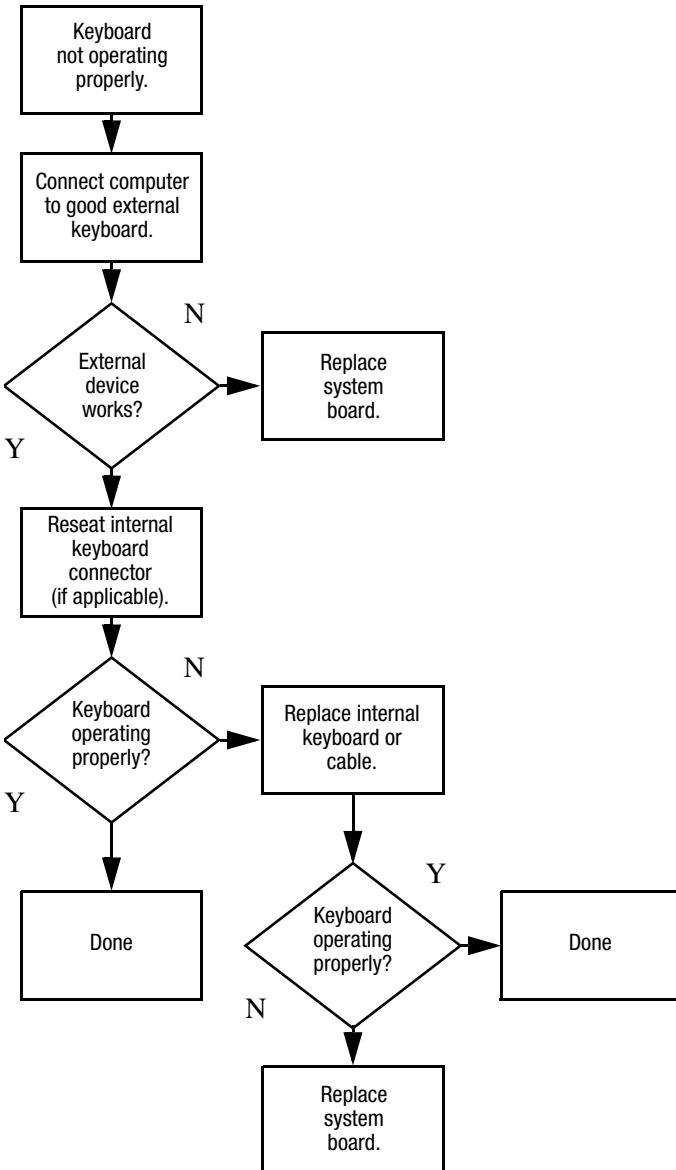
## Flowchart 2.16—No Audio, Part 2



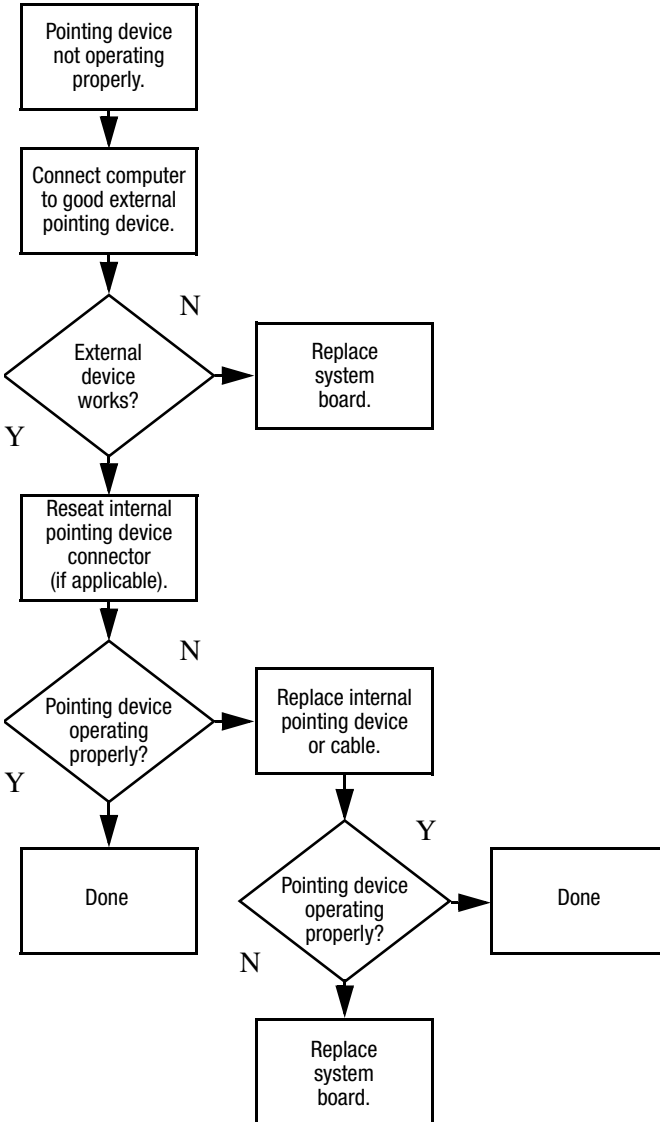
## Flowchart 2.17—Nonfunctioning Device



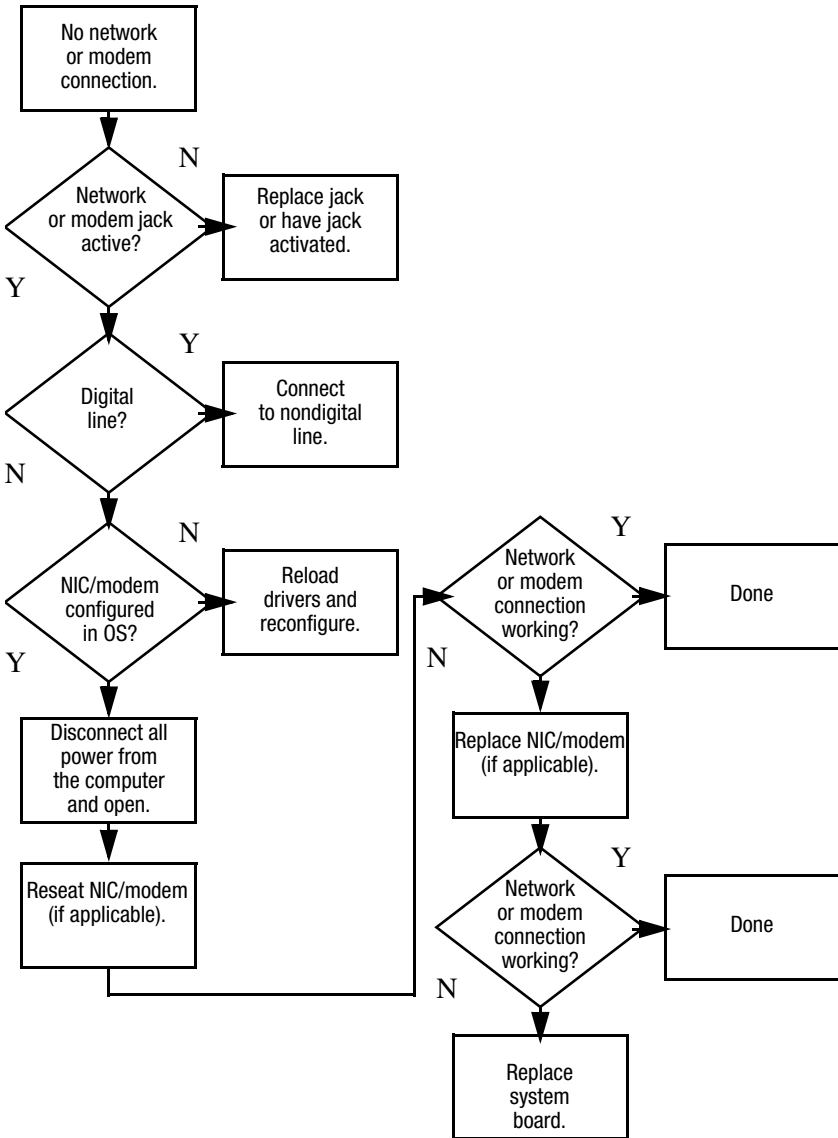
## Flowchart 2.18—Nonfunctioning Keyboard



## Flowchart 2.19—Nonfunctioning Pointing Device



## Flowchart 2.20—No Network/Modem Connection





# 3

---

## Illustrated Parts Catalog

This chapter provides an illustrated parts breakdown and a reference for spare part numbers and option part numbers.

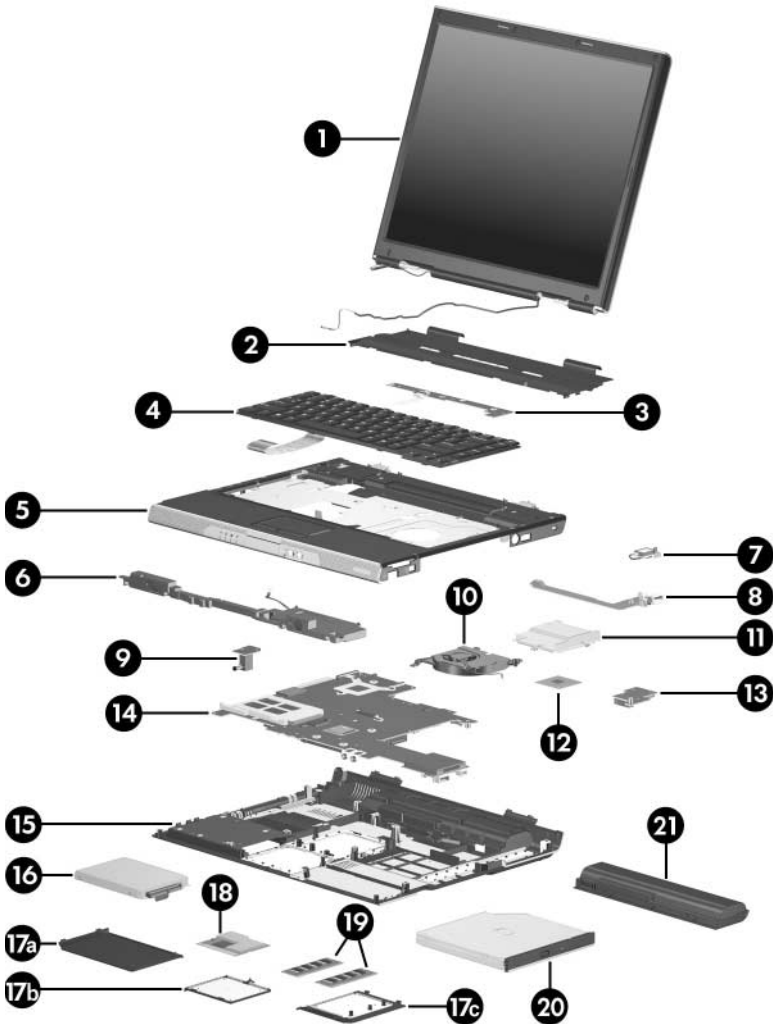
### 3.1 Serial Number Location

When ordering parts or requesting information, provide the computer serial number and model number located on the bottom of the computer.



*Serial Number Location*

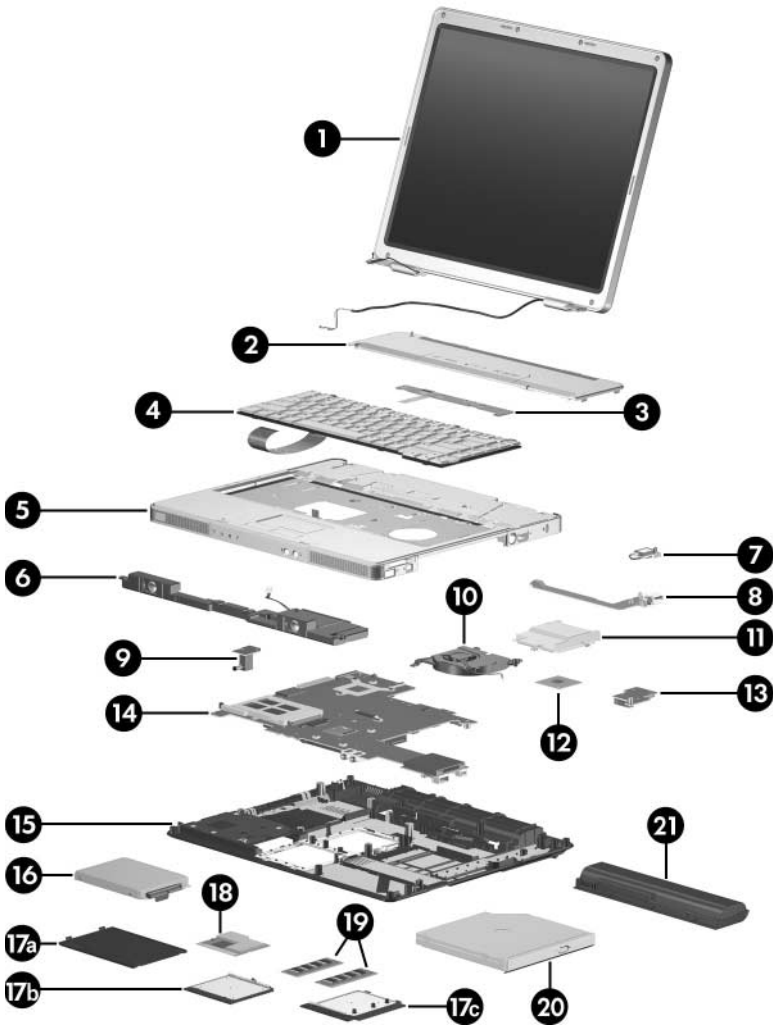
## 3.2 Computer Major Components



Computer Major Components, HP Pavilion ze2000

**Table 3-1**  
**Spare Parts: Computer Major Components**

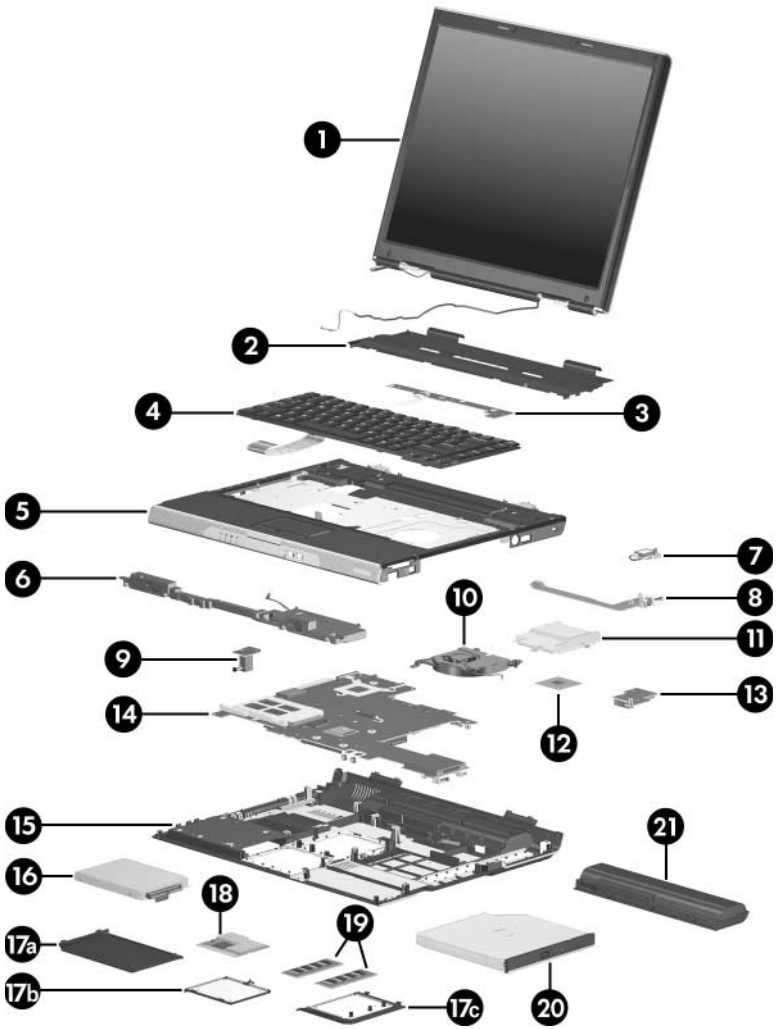
Item	Description	Spare Part Number
1	<b>Display assemblies</b> (include wireless antenna boards and cables)	
	15.0-inch, XGA TFT BrightView, for use on HP Pavilion ze2000 models	394452-001
	15.0-inch, XGA TFT, for use on HP Pavilion ze2000 models	381065-001
	15.0-inch, XGA TFT, for use on Compaq Presario M2000 models	381066-001
	<b>Display hinge brackets</b> (not illustrated)	
	For use on HP Pavilion ze2000 models	382417-001
	For use on Compaq Presario M2000 models	383190-001
1	<b>Hinge covers</b> (not illustrated; for use only on Compaq Presario M2000 models)	382418-001
2	<b>Keyboard covers</b> (include wireless button and light)	
	For use on HP Pavilion ze2000 models with wireless capability	382406-001
	For use on HP Pavilion ze2000 models without wireless capability	382408-001
	For use on Compaq Presario M2000 models with wireless capability	382407-001
	For use on Compaq Presario M2000 models without wireless capability	382409-001
3	<b>LED boards</b> (include cable, not illustrated)	
	For use on HP Pavilion ze2000 models	382415-001
	For use on Compaq Presario M2000 models	382907-001



Computer Major Components, Compaq Presario M2000

**Table 3-1****Spare Parts: Computer Major Components (Continued)**

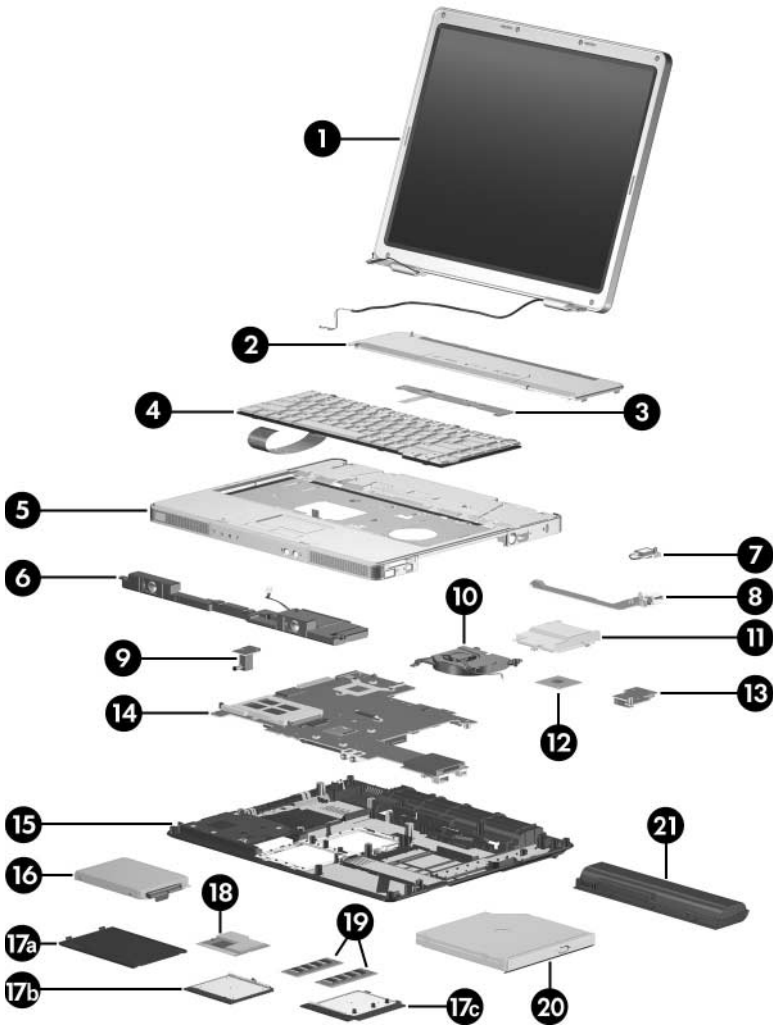
<b>Item</b>	<b>Description</b>	<b>Spare Part Number</b>
4	<b>Keyboards</b>	
	For use on HP Pavilion ze2000 models in:	
	Asia Pacific, 381068-001	Germany 381068-041
	Australia, Greece 381068-151	
	Canada, Israel 381068-BB1	
	Hong Kong, Italy 381068-061	
	the People's Republic of China, and Korea 381068-AD1	
	the United States Norway 381068-091	
	Belgium 381068-A41	Portugal 381068-131
	Brazil 381068-201	Saudi Arabia 381068-171
	Denmark 381068-081	Spain 381068-071
	France 381068-051	Sweden/Finland 381068-B71
	Germany 381068-041	Switzerland 381068-111
	Europe and the Netherlands 381068-331	Taiwan 381068-AB1
	French Canada 381068-121	Turkey 381068-141
		The United Kingdom 381068-031
	For use on Compaq Presario M2000 models in:	
	Denmark 367777-081	Norway 367777-091
	France 367777-051	Spain 367777-071
	French Canada 367777-121	Sweden/Finland 367777-B71
	Europe and the Netherlands 367777-331	Taiwan 367777-AB1
	Italy 367777-061	Thailand 367777-281
	Korea 367777-AD1	The United Kingdom 367777-031
	Latin America 367777-161	The United States 367777-001



Computer Major Components, HP Pavilion ze2000

**Table 3-1****Spare Parts: Computer Major Components (Continued)**

<b>Item</b>	<b>Description</b>	<b>Spare Part Number</b>
5	<b>Top covers</b> (include TouchPad)	
	For use on full-featured HP Pavilion ze2000 models	382396-001
	For use on defeatured HP Pavilion ze2000 models	394455-001
	For use on Compaq Presario M2000 models with full-featured models	382397-001
	For use on Compaq Presario M2000 models with defeatured models	382906-001
6	<b>Speaker assemblies</b>	
	For use on HP Pavilion ze2000 models	382410-001
	For use on Compaq Presario M2000 models	383189-001
7	<b>Broadcomm Bluetooth Wireless LAN board</b>	376651-001
8	<b>USB/S-Video controller board</b>	382416-001
9	<b>Power connector board</b>	382414-001
10	<b>Fan</b> (includes thermal pad)	382411-001
11	<b>Heat sink</b> (includes thermal pad)	382412-001
12	<b>Processors</b> (include thermal pad)	
	Intel Pentium M 745 (1.8-GHz) with 400-MHz FSB	373053-001
	Intel Pentium M 735 (1.7-GHz) with 400-MHz FSB	373052-001
	Intel Pentium M 725 (1.6-GHz) with 400-MHz FSB	367771-001
	Intel Pentium M 715 (1.5-GHz) with 400-MHz FSB	383431-001
	Intel Pentium M 715A (1.5-GHz) with 400-MHz FSB	380690-001
	Intel Celeron M 380 (1.6-GHz) with 400-MHz FSB	397344-001
	Intel Celeron M 370 (1.5-GHz) with 400-MHz FSB	383876-001
	Intel Celeron M 360 (1.4-GHz) with 400-MHz FSB	380033-001
	Intel Celeron M 350 (1.3-GHz) with 400-MHz FSB	380032-001
	Intel Celeron M 320 (1.3-GHz) with 400-MHz FSB	394734-001

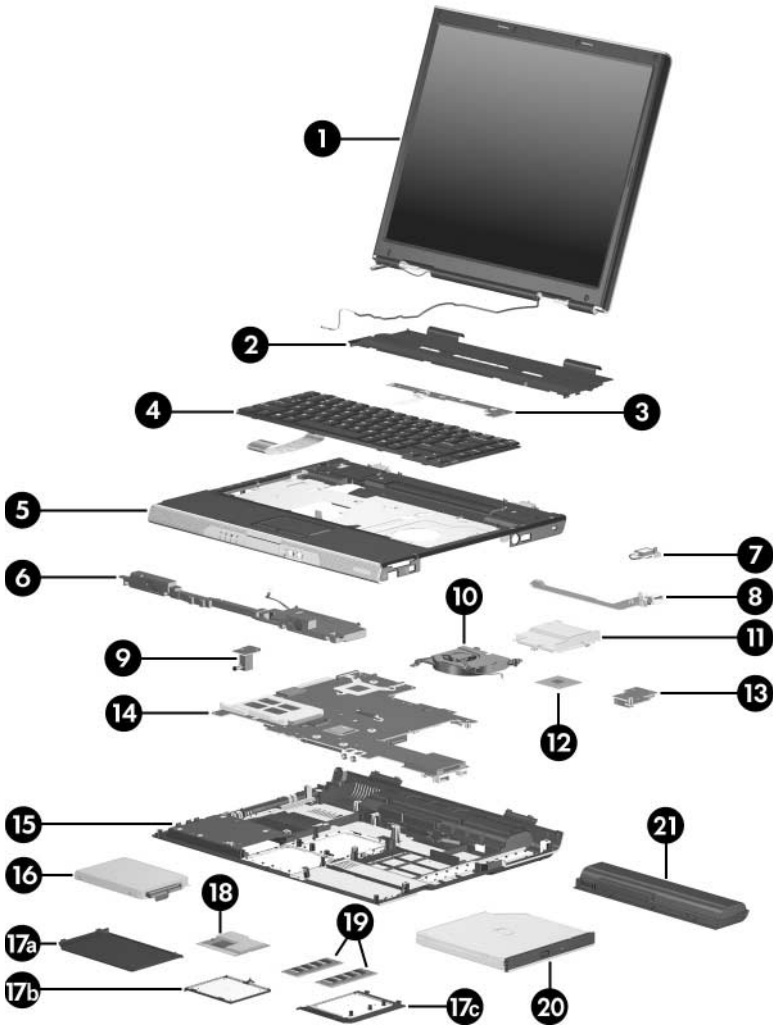


Computer Major Components, Compaq Presario M2000



**Table 3-1**  
**Spare Parts: Computer Major Components (Continued)**

<b>Item</b>	<b>Description</b>	<b>Spare Part Number</b>
13	<b>Battery connector board</b>	382413-001
14	<b>System boards</b> (include disk cell RTC battery)	
	855, for use on full-featured models with Intel Pentium M processors	381062-001
	855GM, for use on full-featured models with Intel Pentium M processors	373522-001
	852GM, for use on defeatured models with Intel Celeron M processors	373523-001
	<b>PC Card assembly</b> (not illustrated)	389525-001
15	<b>Base enclosures</b>	
	For use on HP Pavilion ze2000 models	382398-001
	For use on Compaq Presario M2000 models	382399-001
16	<b>Hard drives</b> (all 4200-rpm, include frame and connector)	
	80 GB	381398-001
	60 GB	381397-001
	40 GB	381396-001
	<b>Miscellaneous Plastics Kit</b>	
	For use on HP Pavilion ze2000 models	382400-001
	For use on Compaq Presario M2000 models	382401-001
	Includes:	
17a	Hard drive cover (includes two captive screws)	
17b	Memory module compartment cover (includes 2 captive screws)	
17c	Mini PCI compartment cover (includes 2 captive screws)	
	Not illustrated:	
	PC Card slot space saver	
	Computer feet (4)	

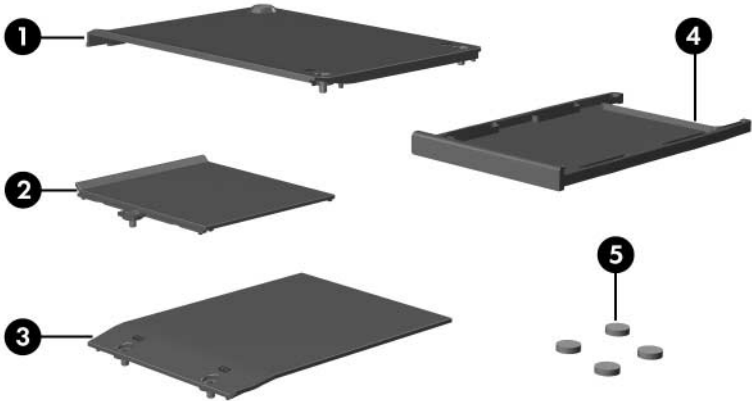


Computer Major Components, HP Pavilion ze2000

**Table 3-1****Spare Parts: Computer Major Components (Continued)**

<b>Item</b>	<b>Description</b>	<b>Spare Part Number</b>
18	<b>Mini PCI communications modules</b>	
	802.11b/g Broadcomm for use in most of the world	373047-001
	802.11b/g Broadcomm for use in the rest of the world	373048-001
	802.11b Intel for use in most of the world	373023-001
	802.11b Intel for use in the rest of the world	373024-001
	802.11b/g Intel for use in most of the world	373026-001
	802.11b/g Intel for use in the rest of the world	373025-001
	802.11b/g for use in the United States	392591-001
	802.11b/g for use in the rest of the world	392591-002
19	<b>Memory modules (266 MHz)</b>	
	512-MB	381395-001
	256-MB	381394-001
20	<b>Optical drives (include bezel)</b>	
	For use on HP Pavilion ze2000 models	
	8X DVD-ROM drive	381399-001
	24X DVD/CD-RW Combo Drive	381401-001
	8X DVD±RW/R and CD-RW Combo Drive	381403-001
	8X DVD±RW/R and CD-RW Dual Layer Combo Drive	390141-001
	For use on Compaq Presario M2000 models	
	8X DVD-ROM drive	381400-001
	24X DVD/CD-RW Combo Drive	381402-001
	8X DVD±RW/R and CD-RW Combo Drive	381404-001
	8X DVD±RW/R and CD-RW Dual Layer Combo Drive	390142-001
21	<b>Battery packs</b>	
	12-cell, 8.8-AHr	367760-001
	6-cell, 4.4-AHr	367759-001
	6-cell, 4.0-AHr	398065-001

### 3.3 Miscellaneous Plastics Kit



*Miscellaneous Plastics Kit*

---

**Table 3-2**  
**Miscellaneous Plastics Kit**  
**Spare Part Number Information**

---

<b>Item</b>	<b>Description</b>	<b>Spare Part Number</b>
	<b>Miscellaneous Plastics Kit</b>	
	For use on HP Pavilion ze2000 models	367765-001
	For use on Compaq Presario M2000 models	367766-001
	Includes:	
1	Memory module compartment cover	
2	Mini PCI compartment cover	
3	Hard drive cover	
4	PC Card slot space saver	
5	Computer feet (4)	

---

## **3.4 Mass Storage Devices**



*Mass Storage Devices*

**Table 3-3**  
**Mass Storage Devices**  
**Spare Part Number Information**

Item	Description	Spare Part Number
1	<b>Hard drives</b> (all 4200-rpm; include frame and connector)	
	80-GB	381398-001
	60-GB	381397-001
	40-GB	381396-001
2	<b>Optical drives</b>	
	For use on HP Pavilion ze2000 models	
	8X DVD-ROM Drive	381399-001
	24X DVD/CD-RW Combo Drive	381401-001
	8X DVD±RW/R and CD-RW Combo Drive	381403-001
	8X DVD±RW/R and CD-RW Dual Layer Combo Drive	390141-001
	For use on Compaq Presario M2000 models	
	8X DVD-ROM Drive	381400-001
	24X DVD/CD-RW Combo Drive	381402-001
	8X DVD±RW/R and CD-RW Combo Drive	381404-001
	8X DVD±RW/R and CD-RW Dual Layer Combo Drive	390142-001
	<b>USB digital drive</b> (not illustrated)	364727-001

## 3.5 Miscellaneous

**Table 3-4**  
**Spare Parts: Miscellaneous (not illustrated)**

Description	Spare Part Number
<b>Logo Kits</b>	
For use on HP Pavilion ze2000 models	382404-001
For use on Compaq Presario M2000 models	382405-001
<b>USB travel mouse</b>	309674-001
<b>Entertainment cable and Y-cable</b>	375759-001
<b>Wired headset with volume control</b>	371693-001
<b>Screw Kit</b> (includes the following screws; refer to <a href="#">Appendix C, "Screw Listing,"</a> for more information on screw specifications and usage)	
For use on HP Pavilion ze2000 models	382402-001
For use on Compaq Presario M2000 models	382403-001
Includes:	
■ Phillips PM2.5x4.0 screw	■ Black Phillips PM2.0x4.0 screw
■ Phillips PM2.0x7.0 round head screw	■ Silver Phillips PM2.0x4.0 screw
■ Phillips PM2.0x7.0 screw	■ Phillips PM2.0x3.0 screw
■ Black Phillips PM2.0x5.0 screw	■ Phillips PM1.5x2.0 screw
■ Silver Phillips PM2.0x5.0 screw	



**Table 3-4****Spare Parts: Miscellaneous (not illustrated) (Continued)**

<b>Description</b>	<b>Spare Part Number</b>
<b>65-watt AC adapter</b>	371790-001
<b>Power cords</b>	
For use in:	
Australia and New Zealand	373979-011
Belgium, Europe, Finland, France, Germany, Greece, the Netherlands, Norway, Portugal, Spain, and Sweden	373979-021
Brazil	373979-201
Canada, French Canada, Latin America, Taiwan, Thailand, and the United States	373979-001
Denmark	373979-081
Hong Kong and the United Kingdom	373979-031
Israel	373979-BB1
Italy	373979-061
Japan	373979-291
Korea	373979-AD1
People's Republic of China	373979-AA1
Switzerland	373979-111
Taiwan	373979-AB1

## 3.6 Sequential Part Number Listing

---

**Table 3-5**  
**Spare Parts: Sequential Part Number Listing**

---

<b>Spare Part Number</b>	<b>Description</b>
309674-001	USB travel mouse
364727-001	USB digital drive
367759-001	Battery pack, 6-cell, 4.4-AHr
367760-001	Battery pack, 12-cell, 8.8-AHr
367771-001	Processor, Intel Pentium M 725 (1.6-GHz) with 400-MHz FSB (includes thermal pad)
367777-001	Keyboard for use on Compaq Presario M2000 models in the United States
367777-031	Keyboard for use on Compaq Presario M2000 models in the United Kingdom
367777-051	Keyboard for use on Compaq Presario M2000 models in France
367777-061	Keyboard for use on Compaq Presario M2000 models in Italy
367777-071	Keyboard for use on Compaq Presario M2000 models in Spain
367777-081	Keyboard for use on Compaq Presario M2000 models in Denmark
367777-091	Keyboard for use on Compaq Presario M2000 models in Norway
367777-121	Keyboard for use on Compaq Presario M2000 models in French Canada

---

**Table 3-5****Spare Parts: Sequential Part Number Listing (Continued)**

<b>Spare Part Number</b>	<b>Description</b>
367777-161	Keyboard for use on Compaq Presario M2000 models in Latin America
367777-281	Keyboard for use on Compaq Presario M2000 models in Thailand
367777-331	Keyboard for use on Compaq Presario M2000 models in Europe and the Netherlands
367777-AB1	Keyboard for use on Compaq Presario M2000 models in Taiwan
367777-AD1	Keyboard for use on Compaq Presario M2000 models in Korea
367777-B71	Keyboard for use on Compaq Presario M2000 models in Sweden/Finland
371693-001	Wired headset with volume control
371790-001	65-watt AC adapter
373023-001	Mini PCI communications module, 802.11b Intel for use in most of the world
373024-001	Mini PCI communications module, 802.11b Intel for use in the rest of the world
373025-001	Mini PCI communications module, 802.11b/g Intel for use in the rest of the world
373026-001	Mini PCI communications module, 802.11b/g Intel for use in most of the world
373047-001	Mini PCI communications module, 802.11b/g Broadcom for use in most of the world

**Table 3-5**

**Spare Parts: Sequential Part Number Listing (*Continued*)**

<b>Spare Part Number</b>	<b>Description</b>
373048-001	Mini PCI communications module, 802.11b/g Broadcomm for use in the rest of the world
373052-001	Processor, Intel Pentium M 735 (1.7-GHz) with 400-MHz FSB (includes thermal pad)
373053-001	Processor, Intel Pentium M 745 (1.8-GHz) with 400-MHz FSB (includes thermal pad)
373522-001	System board, 855GM, for use on full-featured models with Intel Pentium M processors (includes disk cell RTC battery)
373523-001	System board, 852GM, for use on full-featured models with Intel Celeron M processors (includes disk cell RTC battery)
373979-001	Power cord for use in Canada, French Canada, Latin America, Taiwan, Thailand, and the United States
373979-011	Power cord for use in Australia and New Zealand
373979-021	Power cord for use in Belgium, Europe, Finland, France, Germany, Greece, the Netherlands, Norway, Portugal, Spain, and Sweden
373979-031	Power cord for use in Hong Kong and the United Kingdom
373979-061	Power cord for use in Italy
373979-081	Power cord for use in Denmark
373979-111	Power cord for use in Switzerland
373979-201	Power cord for use in Brazil
373979-AA1	Power cord for use in People's Republic of China
373979-AB1	Power cord for use in Taiwan
373979-AD1	Power cord for use in Korea

**Table 3-5****Spare Parts: Sequential Part Number Listing (Continued)**

<b>Spare Part Number</b>	<b>Description</b>
373979-BB1	Power cord for use in Israel
376651-001	Broadcomm Bluetooth Wireless LAN
380032-001	Processor, Intel Celeron M 350 (1.3-GHz) with 400-MHz FSB (includes thermal pad)
380033-001	Processor, Intel Celeron M 360 (1.4-GHz) with 400-MHz FSB (includes thermal pad)
380690-001	Processor, Intel Pentium M 715A (1.5-GHz) with 400-MHz FSB (includes thermal pad)
381062-001	System board, 855, for use on full-featured models with Intel Pentium M processors (includes disk cell RTC battery)
381065-001	Display assembly, 15.0-inch, XGA TFT, for use on HP Pavilion ze2000 models (includes wireless antenna boards and cables)
381066-001	Display assembly, 15.0-inch, XGA TFT, for use on Compaq Presario M2000 models (includes wireless antenna boards and cables)
381068-001	Keyboard for use on HP Pavilion ze2000 models in Asia Pacific, Australia, Canada, Hong Kong, the People's Republic of China, and the United States
381068-031	Keyboard for use on HP Pavilion ze2000 models in the United Kingdom
381068-041	Keyboard for use on HP Pavilion ze2000 models in Germany
381068-051	Keyboard for use on HP Pavilion ze2000 models in France
381068-061	Keyboard for use on HP Pavilion ze2000 models in Italy
381068-071	Keyboard for use on HP Pavilion ze2000 models in Spain

**Table 3-5**

**Spare Parts: Sequential Part Number Listing (*Continued*)**

<b>Spare Part Number</b>	<b>Description</b>
381068-081	Keyboard for use on HP Pavilion ze2000 models in Denmark
381068-091	Keyboard for use on HP Pavilion ze2000 models in Norway
381068-111	Keyboard for use on HP Pavilion ze2000 models in Switzerland
381068-121	Keyboard for use on HP Pavilion ze2000 models in French Canada
381068-131	Keyboard for use on HP Pavilion ze2000 models in Portugal
381068-141	Keyboard for use on HP Pavilion ze2000 models in Turkey
381068-151	Keyboard for use on HP Pavilion ze2000 models in Greece
381068-161	Keyboard for use on HP Pavilion ze2000 models in Latin America
381068-171	Keyboard for use on HP Pavilion ze2000 models in Saudi Arabia
381068-201	Keyboard for use on HP Pavilion ze2000 models in Brazil
381068-281	Keyboard for use on HP Pavilion ze2000 models in Thailand
381068-331	Keyboard for use on HP Pavilion ze2000 models in Europe and the Netherlands
381068-A41	Keyboard for use on HP Pavilion ze2000 models in Belgium
381068-AB1	Keyboard for use on HP Pavilion ze2000 models in Taiwan
381068-AD1	Keyboard for use on HP Pavilion ze2000 models in Korea
381068-B71	Keyboard for use on HP Pavilion ze2000 models in Sweden/Finland

**Table 3-5****Spare Parts: Sequential Part Number Listing (Continued)**

<b>Spare Part Number</b>	<b>Description</b>
381068-BB1	Keyboard for use on HP Pavilion ze2000 models in Israel
381394-001	Memory module, 256-MB (266 MHz)
381395-001	Memory module, 512-MB (266 MHz)
381396-001	Hard drive, 4200-rpm, 40-GB (includes frame and connector)
381397-001	Hard drive, 4200-rpm, 60-GB (includes frame and connector)
381398-001	Hard drive, 4200-rpm, 80-GB (includes frame and connector)
381399-001	8X DVD-ROM Drive for use on HP Pavilion ze2000 models (includes bezel)
381400-001	8X DVD-ROM Drive for use on Compaq Presario M2000 models (includes bezel)
381401-001	24X DVD/CD-RW Combo Drive for use on HP Pavilion ze2000 models (includes bezel)
381402-001	24X DVD/CD-RW Combo Drive for use on Compaq Presario M2000 models (includes bezel)
381403-001	8X DVD±RW/R and CD-RW Combo Drive for use on HP Pavilion ze2000 models (includes bezel)
381404-001	8X DVD±RW/R and CD-RW Combo Drive for use on Compaq Presario M2000 models (includes bezel)
382396-001	Top cover for use on HP Pavilion ze2000 models with full-featured models (includes TouchPad)
382397-001	Top cover for use on Compaq Presario M2000 models with full-featured models (includes TouchPad)

**Table 3-5**

**Spare Parts: Sequential Part Number Listing (*Continued*)**

<b>Spare Part Number</b>	<b>Description</b>
382398-001	Base enclosure for use on HP Pavilion ze2000 models
382399-001	Base enclosure for use on Compaq Presario M2000 models
382400-001	Miscellaneous Plastics Kit for use on HP Pavilion ze2000 models
382401-001	Miscellaneous Plastics Kit for use on Compaq Presario M2000 models
382402-001	Screw Kit for use on HP Pavilion ze2000 models
382403-001	Screw Kit For use on Compaq Presario M2000 models
382404-001	Logo Kit for use on HP Pavilion ze2000 models
382405-001	Logo Kit for use on Compaq Presario M2000 models
382406-001	Keyboard cover for use on HP Pavilion ze2000 models with wireless capability (includes wireless button and light)
382407-001	Keyboard cover for use on Compaq Presario M2000 models with wireless capability (includes wireless button and light)
382408-001	Keyboard cover for use on HP Pavilion ze2000 models without wireless capability (includes wireless button and light)
382409-001	Keyboard cover for use on Compaq Presario M2000 models without wireless capability (includes wireless button and light)
382410-001	Speaker assembly for use on HP Pavilion ze2000 models
382411-001	Fan (includes thermal pad)
382412-001	Heat sink (includes thermal pad)
382413-001	Battery connector board



**Table 3-5****Spare Parts: Sequential Part Number Listing (Continued)**

<b>Spare Part Number</b>	<b>Description</b>
382414-001	Power connector board
382415-001	LED board for use on HP Pavilion ze2000 models (includes cable)
382416-001	USB/S-Video controller board
382417-001	Display hinge brackets for use on HP Pavilion ze2000 models
382418-001	Hinge covers (for use only on Compaq Presario M2000 models)
382906-001	Top cover for use on Compaq Presario M2000 models with defeatured models (includes TouchPad)
382907-001	LED board for use on Compaq Presario M2000 models (includes cable)
383189-001	Speaker assembly for use on Compaq Presario M2000 models
383190-001	Display hinge brackets for use on Compaq Presario M2000 models
383431-001	Processor, Intel Pentium M 715 (1.5-GHz) with 400-MHz FSB (includes thermal pad)
383876-001	Processor, Intel Celeron M 370 (1.5-GHz) with 400-MHz FSB (includes thermal pad)
389525-001	PC Card assembly
390141-001	8X DVD±RW/R and CD-RW Dual Layer Combo Drive for use on HP Pavilion ze2000 models (includes bezel)
390142-001	8X DVD±RW/R and CD-RW Dual Layer Combo Drive for use on Compaq Presario M2000 models (includes bezel)

**Table 3-5**

**Spare Parts: Sequential Part Number Listing (*Continued*)**

---

<b>Spare Part Number</b>	<b>Description</b>
392591-001	Mini PCI communications module, 802.11b/g for use in the United States
392591-002	Mini PCI communications module, 802.11b/g for use in the rest of the world
394452-001	Display assembly, 15.0-inch, XGA TFT BrightView, for use on HP Pavilion ze2000 models (includes wireless antenna boards and cables)
394455-001	Top cover for use on HP Pavilion ze2000 models with defeatured models (includes TouchPad)
394734-001	Processor, Intel Celeron M 320 (1.3-GHz) with 400-MHz FSB (includes thermal pad)
398065-001	Battery pack, 6-cell, 4.0 Ahr

---

---

## Removal and Replacement Preliminaries

This chapter provides essential information for proper and safe removal and replacement service.

### 4.1 Tools Required

You will need the following tools to complete the removal and replacement procedures:

- Magnetic screwdriver
- Phillips P0 screwdriver
- 5.0-mm socket for system board locks
- Flat-bladed screwdriver
- Tool kit—includes connector removal tool, loopback plugs, and case utility tool

## 4.2 Service Considerations

The following sections include some of the considerations that you should keep in mind during disassembly and assembly procedures.



---

As you remove each subassembly from the computer, place the subassembly (and all accompanying s) away from the work area to prevent damage.

---

### Plastic Parts

Using excessive force during disassembly and reassembly can damage plastic parts. Use care when handling the plastic parts. Apply pressure only at the points designated in the maintenance instructions.

### Cables and Connectors



---

**CAUTION:** When servicing the computer, ensure that cables are placed in their proper locations during the reassembly process. Improper cable placement can damage the computer.

---

Cables must be handled with extreme care to avoid damage. Apply only the tension required to unseat or seat the cables during removal and insertion. Handle cables by the connector whenever possible. In all cases, avoid bending, twisting, or tearing cables. Ensure that cables are routed in such a way that they cannot be caught or snagged by parts being removed or replaced. Handle flex cables with extreme care; these cables tear easily.

## 4.3 Preventing Damage to Removable Drives

Removable drives are fragile components that must be handled with care. To prevent damage to the computer, damage to a removable drive, or loss of information, observe the following precautions:

- Before removing or inserting a hard drive, shut down the computer. If you are unsure whether the computer is off or in hibernation, turn the computer on, and then shut it down through the operating system.
- Before removing a diskette drive or optical drive, ensure that a diskette or disc is not in the drive and ensure that the optical drive tray is closed.
- Before handling a drive, ensure that you are discharged of static electricity. While handling a drive, avoid touching the connector.
- Handle drives on surfaces covered with at least one inch of shock-proof foam.
- Avoid dropping drives from any height onto any surface.
- After removing a hard drive, an optical drive, or a diskette drive, place it in a static-proof bag.
- Avoid exposing a hard drive to products that have magnetic fields, such as monitors or speakers.
- Avoid exposing a drive to temperature extremes or liquids.
- If a drive must be mailed, place the drive in a bubble pack mailer or other suitable form of protective packaging and label the package “FRAGILE: Handle With Care.”

## **4.4 Preventing Electrostatic Damage**

Many electronic components are sensitive to electrostatic discharge (ESD). Circuitry design and structure determine the degree of sensitivity. Networks built into many integrated circuits provide some protection, but in many cases, the discharge contains enough power to alter device parameters or melt silicon junctions.

A sudden discharge of static electricity from a finger or other conductor can destroy static-sensitive devices or microcircuitry. Often the spark is neither felt nor heard, but damage occurs.

An electronic device exposed to electrostatic discharge might not be affected at all and can work perfectly throughout a normal cycle. Or the device might function normally for a while, then degrade in the internal layers, reducing its life expectancy.

## 4.5 Packaging and Transporting Precautions

Use the following grounding precautions when packaging and transporting equipment:

- To avoid hand contact, transport products in static-safe containers, such as tubes, bags, or boxes.
- Protect all electrostatic-sensitive parts and assemblies with conductive or approved containers or packaging.
- Keep electrostatic-sensitive parts in their containers until the parts arrive at static-free workstations.
- Place items on a grounded surface before removing items from their containers.
- Always be properly grounded when touching a sensitive component or assembly.
- Store reusable electrostatic-sensitive parts from assemblies in protective packaging or nonconductive foam.
- Use transporters and conveyors made of antistatic belts and roller bushings. Ensure that mechanized equipment used for moving materials is wired to ground and that proper materials are selected to avoid static charging. When grounding is not possible, use an ionizer to dissipate electric charges.

## 4.6 Workstation Precautions

Use the following grounding precautions at workstations:

- Cover the workstation with approved static-shielding material (refer to [Table 4-2, “Static-Shielding Materials”](#)).
- Use a wrist strap connected to a properly grounded work surface and use properly grounded tools and equipment.
- Use conductive field service tools, such as cutters, screwdrivers, and vacuums.
- When using fixtures must directly contact dissipative surfaces, use fixtures made only of static-safe materials.
- Keep the work area free of nonconductive materials, such as ordinary plastic assembly aids and Styrofoam.
- Handle electrostatic-sensitive components, parts, and assemblies by the case or PCM laminate. Handle these items only at static-free workstations.
- Avoid contact with pins, leads, or circuitry.
- Turn off power and input signals before inserting or removing connectors or test equipment.

## 4.7 Grounding Equipment and Methods

Grounding equipment must include either a wrist strap or a foot strap at a grounded workstation.

- When seated, wear a wrist strap connected to a grounded system. Wrist straps are flexible straps with a minimum of one megohm  $\pm 10\%$  resistance in the ground cords. To provide proper ground, wear a strap snugly against the skin at all times. On grounded mats with banana-plug connectors, use alligator clips to connect a wrist strap.
- When standing, use foot straps and a grounded floor mat. Foot straps (heel, toe, or boot straps) can be used at standing workstations and are compatible with most types of shoes or boots. On conductive floors or dissipative floor mats, use foot straps on both feet with a minimum of one megohm resistance between the operator and ground. To be effective, the conductive strips must be worn in contact with the skin.



Other grounding equipment recommended for use in preventing electrostatic damage includes:

- Antistatic tape
- Antistatic smocks, aprons, and sleeve protectors
- Conductive bins and other assembly or soldering aids
- Nonconductive foam
- Conductive tabletop workstations with ground cords of one megohm resistance
- Static-dissipative tables or floor mats with hard ties to the ground
- Field service kits
- Static awareness labels
- Material-handling packages
- Nonconductive plastic bags, tubes, or boxes
- Metal tote boxes
- Electrostatic voltage levels and protective materials

Table 4-1 shows how humidity affects the electrostatic voltage levels generated by different activities.

---

**Table 4-1**  
**Typical Electrostatic Voltage Levels**

---

Event	Relative Humidity		
	10%	40%	55%
Walking across carpet	35,000 V	15,000 V	7,500 V
Walking across vinyl floor	12,000 V	5,000 V	3,000 V
Motions of bench worker	6,000 V	800 V	400 V
Removing DIPS from plastic tube	2,000 V	700 V	400 V
Removing DIPS from vinyl tray	11,500 V	4,000 V	2,000 V
Removing DIPS from Styrofoam	14,500 V	5,000 V	3,500 V
Removing bubble pack from PCB	26,500 V	20,000 V	7,000 V
Packing PCBs in foam-lined box	21,000 V	11,000 V	5,000 V

---



A product can be degraded by as little as 700 V.

---

Table 4-2 lists the shielding protection provided by antistatic bags and floor mats.

---

**Table 4-2**  
**Static-Shielding Materials**

---

Material	Use	Voltage Protection Level
Antistatic plastic	Bags	1,500 V
Carbon-loaded plastic	Floor mats	7,500 V
Metallized laminate	Floor mats	5,000 V

---

# 5

---

## Removal and Replacement Procedures

This chapter provides removal and replacement procedures.

There are as many as 63 screws, in 10 different sizes and types, that may have to be removed, replaced, or loosened when servicing the computer. Make special note of each screw size and location during removal and replacement.

Refer to [Appendix C, “Screw Listing,”](#) for detailed information on screw sizes, locations, and usage.

## 5.1 Serial Number

Report the computer serial number to HP when requesting information or ordering spare parts. The serial number is located on the bottom of the computer.




*Serial Number Location*

## 5.2 Disassembly Sequence Chart

Use the chart below to determine the section number to be referenced when removing computer components.

### Disassembly Sequence Chart

Section	Description	# of Screws Removed
5.3	<a href="#">Preparing the Computer for Disassembly</a>	
	Battery pack	0
5.4	<a href="#">Hard Drive</a>	2 loosened to remove the hard drive cover 4 to disassemble the hard drive
5.5	<a href="#">Computer Feet</a>	0
5.6	<a href="#">Optical Drive</a>	1
5.7	<a href="#">Memory Module</a>	2 loosened
5.8	<a href="#">Mini PCI Communications Module</a>	1 loosened
	 To prevent an unresponsive system and the display of a warning message, install only a Mini PCI device authorized for use in your computer by the governmental agency that regulates wireless devices in your country. If you install a device and then receive a warning message, remove the device to restore computer functionality. Then contact Customer Care.	
5.9	<a href="#">Keyboard Cover</a>	2
5.10	<a href="#">LED Board</a>	2
5.11	<a href="#">Keyboard</a>	4

---

### Disassembly Sequence Chart (*Continued*)

---

Section	Description	# of Screws Removed
5.12	Display Assembly	HP Pavilion ze2000 = 4 Compaq Presario M2000 = 6
5.13	Base Enclosure	HP Pavilion ze2000 = 23 Compaq Presario M2000 = 21
5.14	Speaker Assembly	0
5.15	Heat Sink	3
5.16	Fan	2
5.17	Processor	0
5.18	Battery Connector Board	2
5.19	Power Connector Board	2
5.20	USB/S-Video Controller Board	2
5.21	Bluetooth Board	2
5.22	System Board	HP Pavilion ze2000 = 2 Compaq Presario M2000 = 3

---

## 5.3 Preparing the Computer for Disassembly

Before you begin any removal or installation procedures:

1. Shut down the computer. If you are unsure whether the computer is off or in hibernation, turn the computer on, and then shut it down through the operating system.
2. Disconnect all external devices connected to the computer.
3. Disconnect the power cord.

---

### Battery Pack Spare Part Number Information

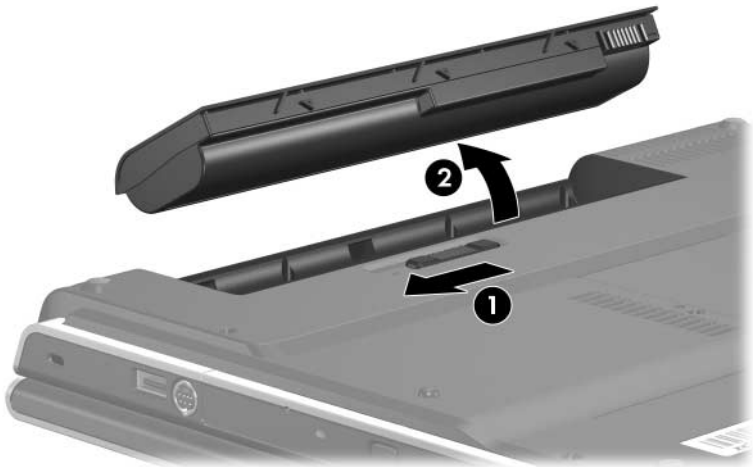
---

12-cell, 8.8-AHr	367760-001
6-cell, 4.4-AHr	367759-001
6-cell, 4.0-AHr	398065-001

---

4. Remove the battery pack by following these steps:
  - a. Turn the computer upside down with the front panel toward you.

- b. Slide and hold the battery release latch ❶ to the left. (The front edge of the battery pack disengages from the computer.)
- c. Lift the front edge of the battery pack ❷ and swing it back.
- d. Remove the battery pack.



### *Removing the Battery Pack*

Reverse the above procedure to install the battery pack.

## **5.4 Hard Drive**

---

### **Hard Drive Spare Part Number Information**

---

80-GB (4200-rpm; includes frame and connector)	381398-001
60-GB (4200-rpm; includes frame and connector)	381397-001
40-GB (4200-rpm; includes frame and connector)	381396-001

---



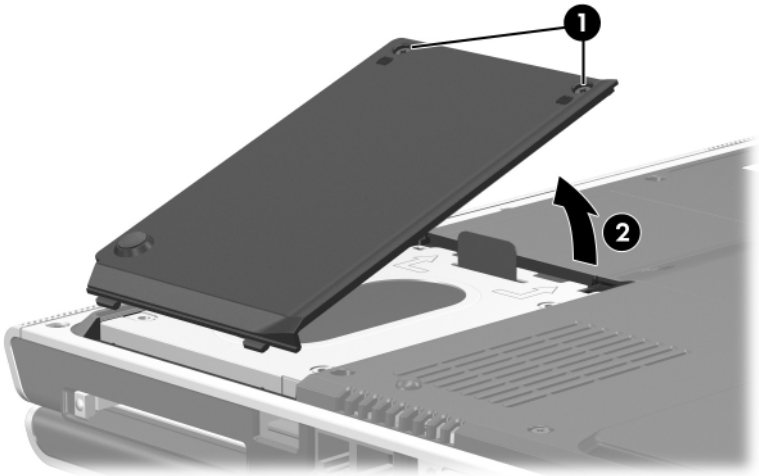
1. Position the computer with the rear panel toward you.
2. Loosen the two black PM2.0x5.0 screws ❶ that secure the hard drive cover to the computer.
3. Lift the right side of the cover ❷ and swing it to the left.
4. Remove the hard drive cover.



---

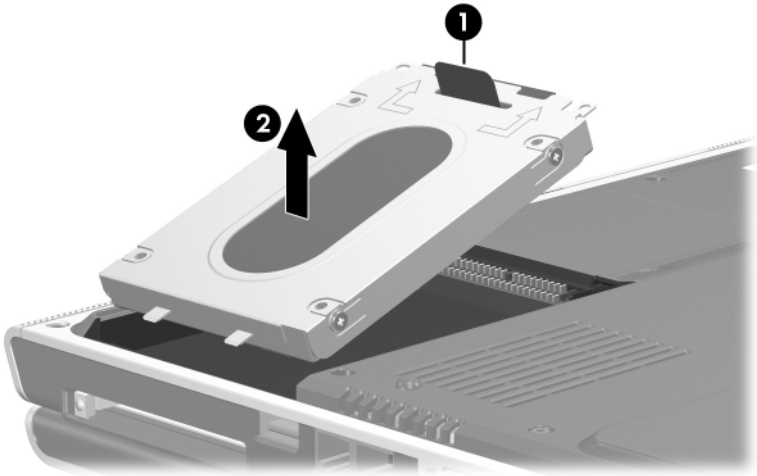
The hard drive cover is included in the Miscellaneous Plastics Kits, spare part numbers 382400-001 (for use on HP Pavilion ze2000 models) and 382401-001 (for use on Compaq Presario M2000 models).

---



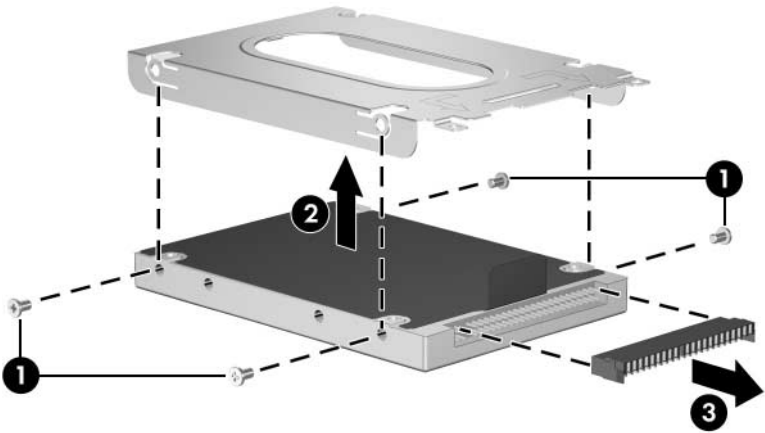
*Removing the Hard Drive Cover*

5. Use the mylar tab ❶ on the right side of the hard drive to lift the right side of the hard drive until it disconnects from the computer.
6. Remove the hard drive ❷ from the hard drive bay.



*Removing the Hard*

7. Remove the four PM2.5×4.0 screws **1** that secure the hard drive frame to the hard drive.
8. Remove the hard drive frame **2** from the hard drive.
9. Slide the hard drive connector **3** toward you and remove it.

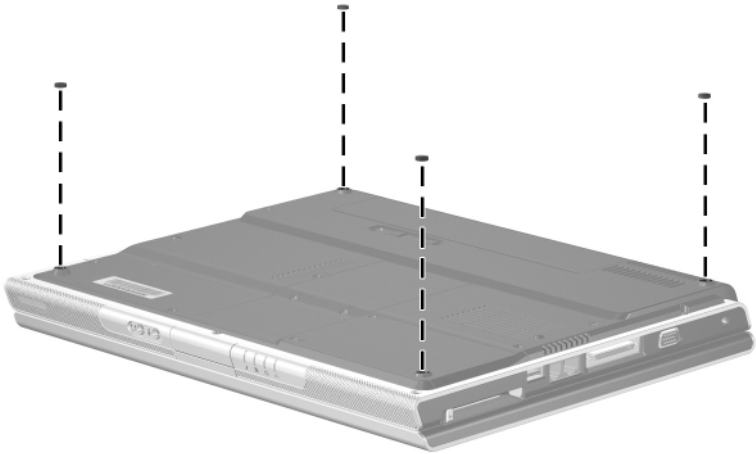


*Removing the Hard Drive Frame and Connector*

Reverse the above procedure to reassemble and install the hard drive.

## 5.5 Computer Feet

The computer feet are adhesive-backed rubber pads. The feet are included in the Miscellaneous Plastics Kits, spare part numbers 382400-001 (for use on HP Pavilion ze2000 models) and 382401-001 (for use on Compaq Presario M2000 models). The feet attach to the base enclosure as illustrated below.



*Replacing the Computer Feet*

## 5.6 Optical Drive

---

### Optical Drive Spare Part Number Information

---

For use on HP Pavilion ze2000 models:

8X DVD-ROM Drive	381399-001
24X DVD/CD-RW Combo Drive	381401-001
8X DVD±RW/R and CD-RW Combo Drive	381403-001
8X DVD±RW/R and CD-RW Dual Layer Combo Drive	390141-001

---

For use on Compaq Presario M2000 models:

8X DVD-ROM Drive	381400-001
24X DVD/CD-RW Combo Drive	381402-001
8X DVD±RW/R and CD-RW Combo Drive	381404-001
8X DVD±RW/R and CD-RW Dual Layer Combo Drive	390142-001

---

1. Prepare the computer for disassembly ([Section 5.3](#)).
2. Remove the hard drive cover ([Section 5.3](#)).

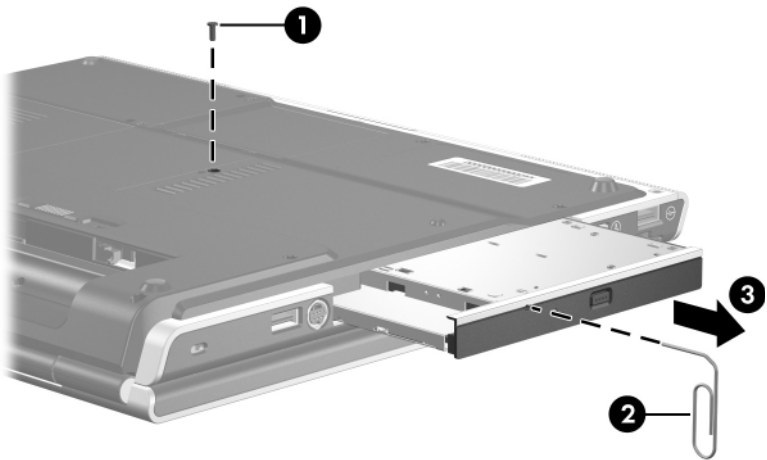
3. Remove the PM2.0×6.0 screw **1** that secures the optical drive to the computer.



The Compaq Presario M2000 optical drive is secured by one PM2.0×7.0 screw.

---

4. Insert a thin tool, such as a paper clip **2**, into the media tray release hole. (The optical drive media tray releases from the optical drive.)
5. Use the media tray frame to slide the optical drive **3** to the right.
6. Remove the optical drive.



### *Removing the Optical Drive*

Reverse the above procedure to install an optical drive.

## 5.7 Memory Module

---

### Memory Module Spare Part Number Information

---

512-MB	381395-001
256-MB	381394-001

---

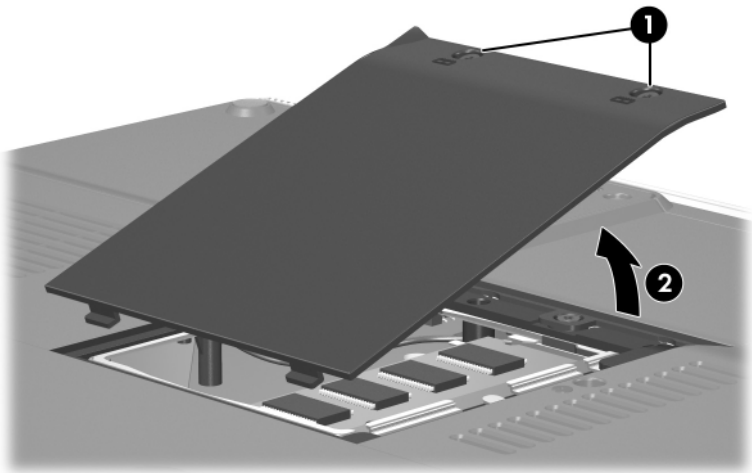
1. Prepare the computer for disassembly (refer to [Section 5.3](#)).

2. Loosen the two black PM2.0×5.0 screws ❶ that secure the memory module compartment cover to the computer.
3. Lift the rear edge of the memory module compartment cover ❷ up and swing it toward you.
4. Remove the memory module compartment cover.



The memory module compartment cover is included in the Miscellaneous Plastics Kits, spare part numbers 382400-001 (for use on HP Pavilion ze2000 models) and 382401-001 (for use on Compaq Presario M2000 models).

---



*Removing the Memory Module Compartment Cover*

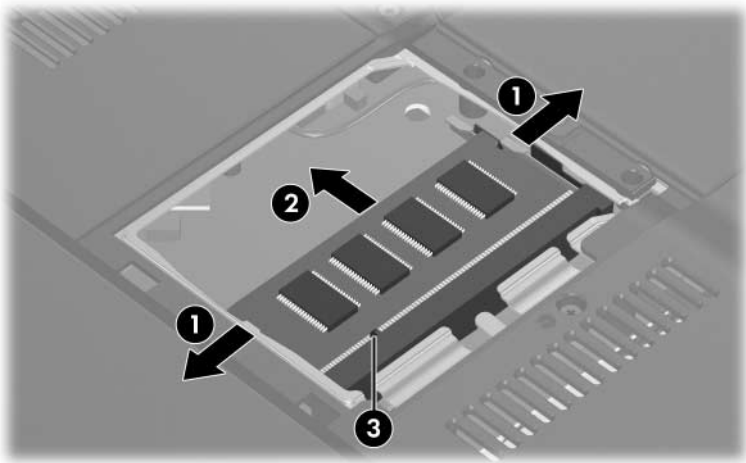


5. Spread the retaining tabs **1** on each side of the memory module socket to release the memory module. (The right side of the module rises away from the computer.)
6. Slide the module **2** away from the socket at an angle.



Memory modules are designed with a notch **3** to prevent incorrect installation into the memory module socket.

---



### *Removing the Memory Module*

Reverse the above procedure to install a memory module.

## 5.8 Mini PCI Communications Module

---

### Mini PCI Communications Module Spare Part Number Information

---

802.11b/g Broadcom for use in most of the world	373047-001
802.11b/g Broadcom for use in the rest of the world	373048-001
802.11b Intel for use in most of the world	373023-001
802.11b Intel for use in the rest of the world	373024-001
802.11b/g Intel for use in most of the world	373026-001
802.11b/g Intel for use in the rest of the world	373025-001
802.11b/g for use in the United States	392591-001
802.11b/g for use in the rest of the world	392591-002

---

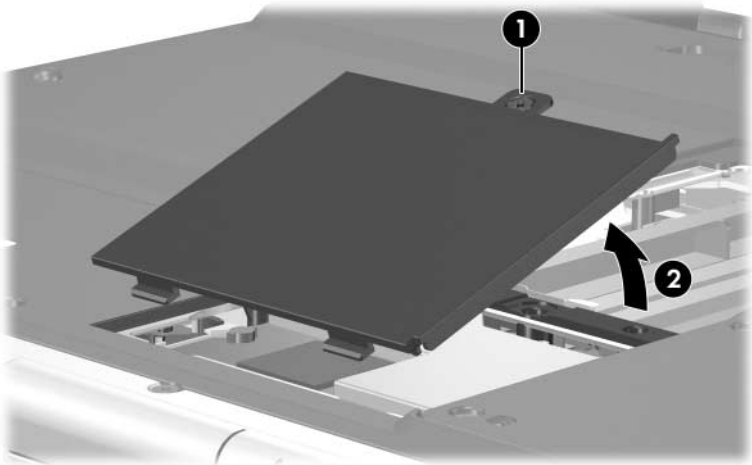
1. Prepare the computer for disassembly ([Section 5.3](#)).

2. Loosen the black PM2.0×5.0 screw ❶ that secures the Mini PCI compartment cover to the computer.
3. Lift the rear edge of the Mini PCI compartment cover ❷ up and then swing it toward you.
4. Remove the Mini PCI compartment cover.



The Mini PCI compartment cover is included in the Miscellaneous Plastics Kits, spare part numbers 382400-001 (for use on HP Pavilion ze2000 models) and 382401-001 (for use on Compaq Presario M2000 models).

---



*Removing the Mini PCI Compartment Cover*



Before disconnecting the cables, make note of which wireless antenna cable is attached to which antenna clip on the Mini PCI communications module.

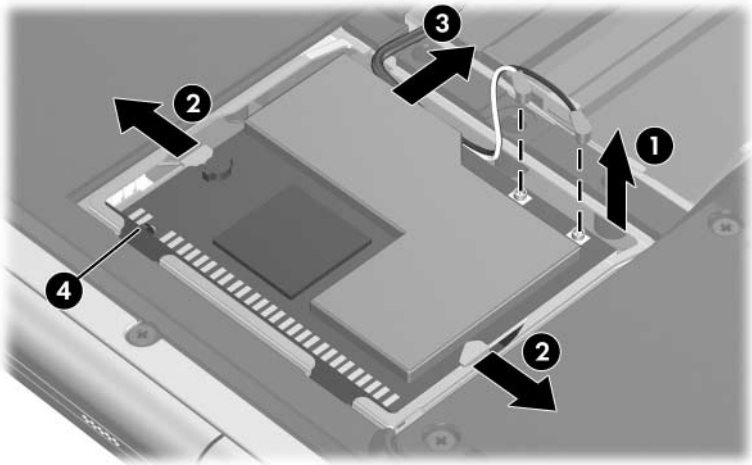
---

5. Disconnect the wireless antenna cables **1** from the Mini PCI communications module.
  6. Spread the two retaining tabs **2** that secure the Mini PCI communications module to the communications compartment socket. (The front edge of the board rises up).
  7. Remove the wireless communications module **3** by pulling the board away from the socket at a 45-degree angle.
- 



Mini PCI communications modules are designed with a notch **4** to prevent incorrect installation into the Mini PCI socket.

---



### *Removing a Mini PCI Communications Module*

Reverse the above procedure to install a Mini PCI communications module.

## 5.9 Keyboard Cover

---

### Keyboard Cover Spare Part Number Information

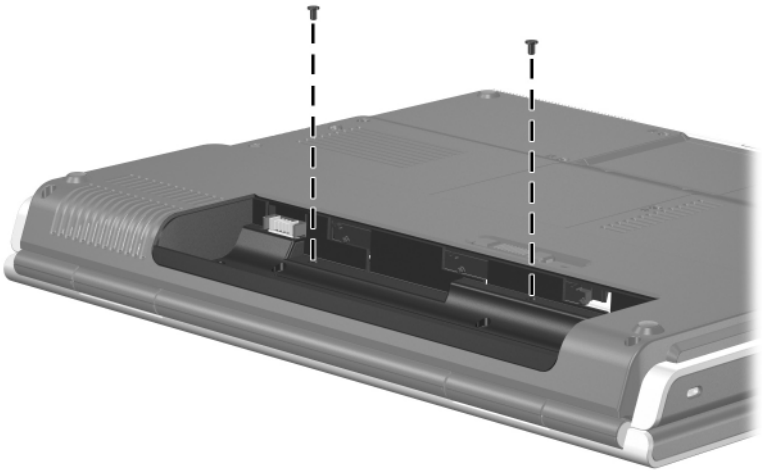
---

For use on HP Pavilion ze2000 models with wireless capability (includes wireless button and light)	382406-001
For use on HP Pavilion ze2000 models without wireless capability (includes wireless button and light)	382408-001
For use on Compaq Presario M2000 models with wireless capability (includes wireless button and light)	382407-001
For use on Compaq Presario M2000 models without wireless capability (includes wireless button and light)	382409-001

---

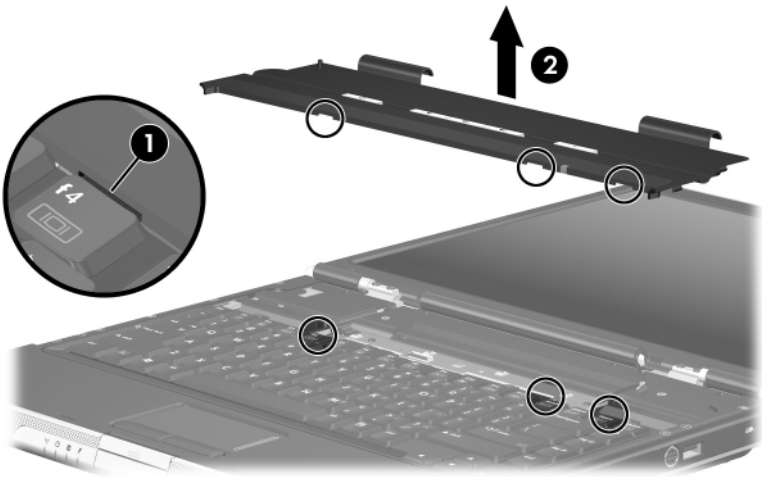
1. Prepare the computer for disassembly ([Section 5.3](#)).
2. Turn the computer upside down with the rear panel toward you.

3. Remove the two silver PM2.0×5.0 screws that secure the keyboard cover to the computer.



*Removing the Keyboard Cover Screws*

4. Turn the computer display-side up with the front panel toward you.
5. Open the computer as far as possible.
6. Insert a flat blade tool into the keyboard cover notches behind the **f1**, **f5**, **f11**, and **insert** keys ❶ and lift up until the keyboard cover ❷ disengages from the computer.
7. Remove the keyboard cover.



### *Removing the Keyboard Cover*

Reverse the above procedure to install the keyboard cover.

## 5.10 LED Board

---

### LED Board Spare Part Number Information

---

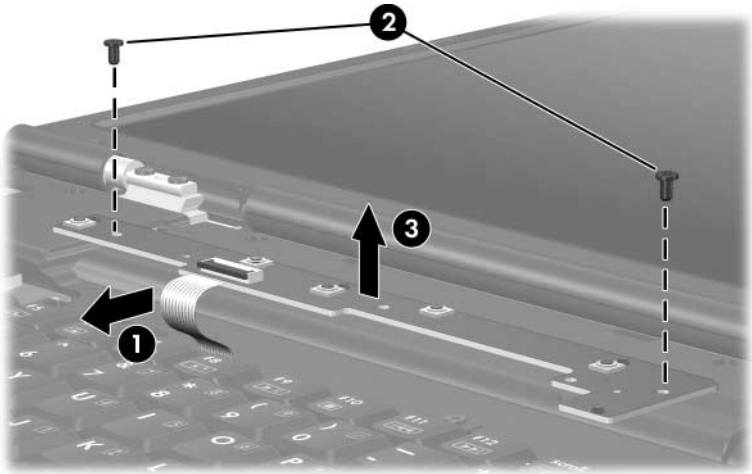
For use on HP Pavilion ze2000 models	382415-001
For use on Compaq Presario M2000 models	382907-001

---

1. Prepare the computer for disassembly ([Section 5.3](#)).
2. Remove the keyboard cover ([Section 5.9](#)).



3. Release the zero insertion force (ZIF) connector to which the keyboard cable is connected and disconnect the keyboard cable ❶ from the system board.
4. Remove the two PM2.0×3.0 screws ❷ that secure the LED board to the computer.
5. Remove the LED board ❸.



### *Removing the LED Board*

Reverse the above procedure to install the LED board.

## 5.11 Keyboard

---

### Keyboard Spare Part Number Information

---

For use on HP Pavilion ze2000 models in:

Asia Pacific, Australia, Canada, Hong Kong, the People's Republic of China, and the United States	381068-001	Greece	381068-151
		Israel	381068-BB1
		Italy	381068-061
		Korea	381068-AD1
		Norway	381068-091
Belgium	381068-A41	Portugal	381068-131
Brazil	381068-201	Saudi Arabia	381068-171
Denmark	381068-081	Spain	381068-071
Europe and the Netherlands	381068-331	Sweden/Finland	381068-B71
		Switzerland	381068-111
France	381068-051	Taiwan	381068-AB1
French Canada	381068-121	Turkey	381068-141
Germany	381068-041	The United Kingdom	381068-031

---

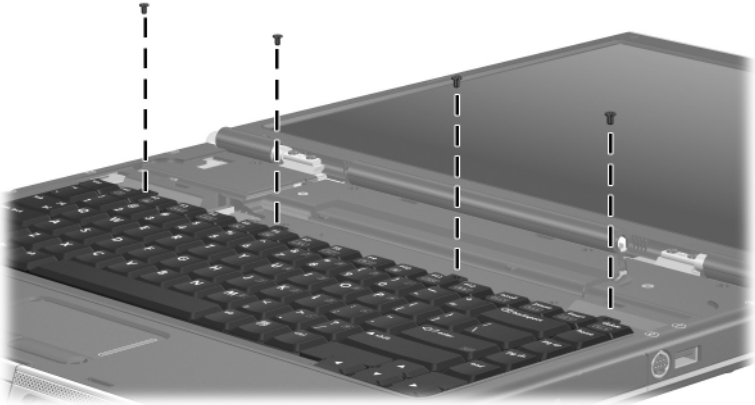
For use on Compaq Presario M2000 models in:

Denmark	367777-081	Norway	367777-091
France	367777-051	Spain	367777-071
French Canada	367777-121	Sweden/Finland	367777-B71
Europe and the Netherlands	367777-331	Taiwan	367777-AB1
		Thailand	367777-281
Italy	367777-061	The United Kingdom	367777-031
Korea	367777-AD1	The United States	367777-001
Latin America	367777-161		

---

1. Prepare the computer for disassembly ([Section 5.3](#)).
2. Remove the keyboard cover ([Section 5.9](#)).

3. Remove the four black PM2.0x4.0 screws that secure the keyboard to the computer.



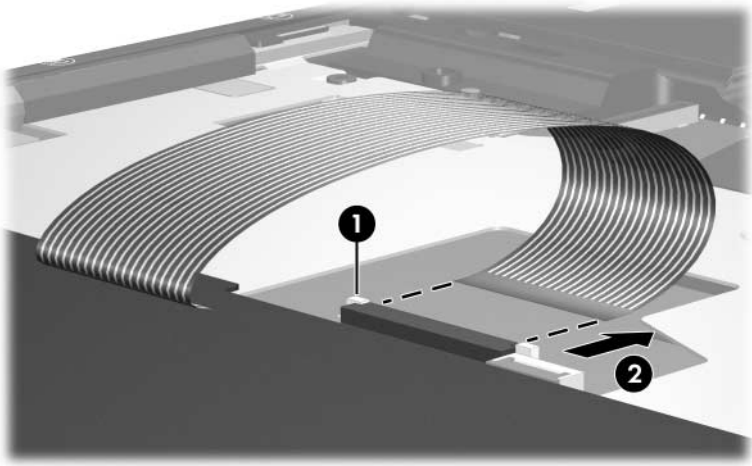
*Removing the Keyboard Screws*

4. Lift the rear edge of the keyboard and swing it toward you until it rests on the palm rest.



*Releasing the Keyboard*

5. Release the zero insertion force (ZIF) connector **1** to which the keyboard cable is connected and disconnect the keyboard cable **2** from the system board.
6. Remove the keyboard.



### *Disconnecting the Keyboard Cable*

Reverse the above procedure to install the keyboard.

## 5.12 Display Assembly

---

### Display Assembly Spare Part Number Information

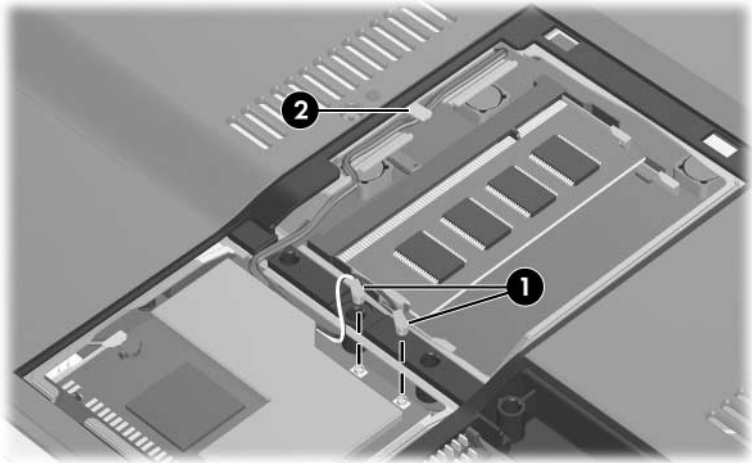
---

15.0-inch, XGA TFT BrightView, for use on HP Pavilion ze2000 models	394452-001
15.0-inch, XGA TFT, for use on HP Pavilion ze2000 models (includes wireless antenna boards and cables)	381065-001
15.0-inch, XGA TFT, for use on Compaq Presario M2000 models (includes wireless antenna boards and cables)	381066-001
Display hinge brackets (not illustrated)	
For use on HP Pavilion ze2000 models	382417-001
For use on Compaq Presario M2000 models	383190-001
Hinge covers (not illustrated; for use only on Compaq Presario M2000 models)	382418-001

---

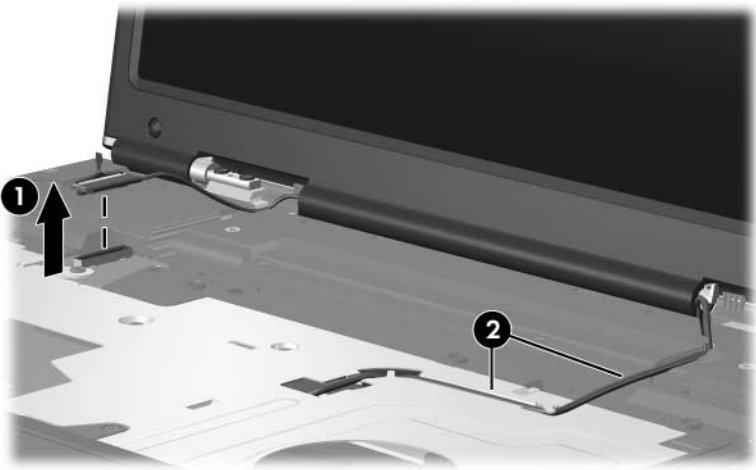
1. Prepare the computer for disassembly ([Section 5.3](#)) and remove the following components:
  - a. Memory module compartment cover ([Section 5.7](#))
  - b. Mini PCI compartment cover ([Section 5.8](#))
  - c. Keyboard cover ([Section 5.9](#))
  - d. Keyboard ([Section 5.11](#))

2. Turn the computer upside down, with the front panel toward you.
3. Disconnect the wireless antenna cables from the Mini PCI communications module ❶.
4. Remove the cables from the clip ❷ in the base enclosure.



*Disconnecting and Removing the Wireless Antenna Cables*

5. Turn the computer display-side up with the front toward you.
6. Open the display.
7. Disconnect the display cable ❶ from the system board.
8. Remove the wireless antenna cables ❷ from the clips in the top cover.



*Disconnecting the Display Cables*



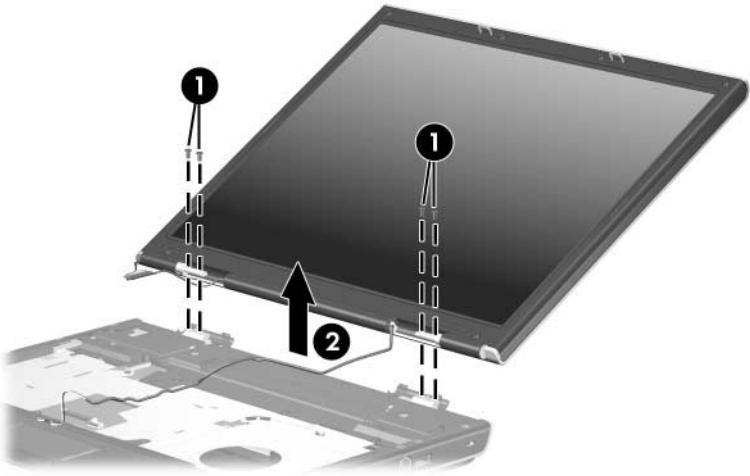


**CAUTION:** Support the display assembly when removing the following screws. Failure to follow this caution can result in damage to the display assembly.



Steps 9 and 10 apply only to HP Pavilion ze2000 models. See steps 11 and 12 in this section for information on removing the display assembly on Compaq Presario M2000 models.

9. Remove the four PM2.0x6.0 screws ❶ that secure the display assembly to the computer.
10. Remove the display assembly ❷.



*Removing the Display Assembly Screws,  
HP Pavilion ze2000 Models Only*



**CAUTION:** Support the display assembly when removing the following screws. Failure to follow this caution can result in damage to the display assembly.

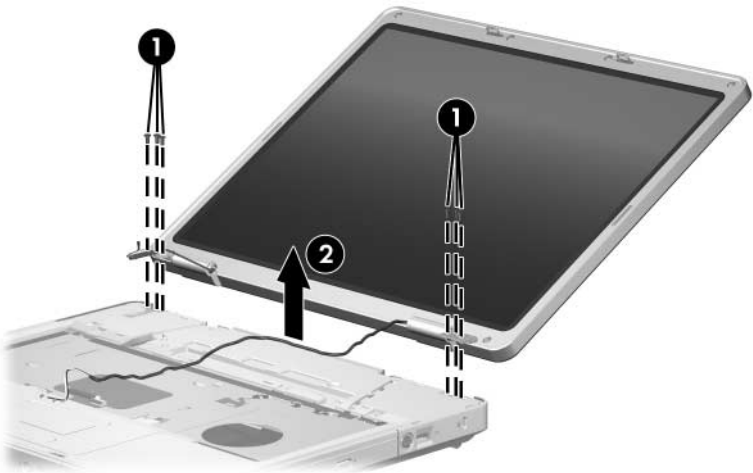
---



Steps 11 and 12 apply only to Compaq Presario M2000 models.

---

11. Remove the six PM2.0×6.0 screws ❶ that secure the display assembly to the computer.
12. Remove the display assembly ❷.



*Removing the Display Assembly,  
Compaq Presario M2000 Models Only*

Reverse the above procedure to install the display assembly.

## 5.13 Base Enclosure

---

### Base Enclosure Spare Part Number Information

---

For use on HP Pavilion ze2000 models	382398-001
For use on Compaq Presario M2000 models	382399-001

---

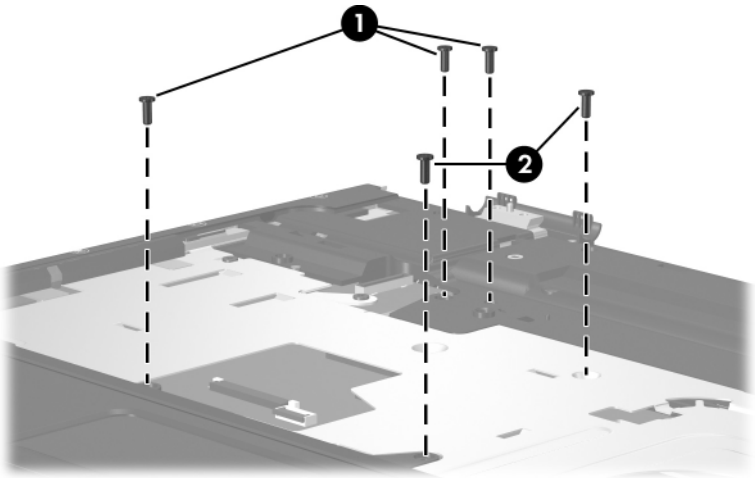
1. Prepare the computer for disassembly ([Section 5.3](#)) and remove the following components:
  - a. Hard drive ([Section 5.4](#))
  - b. Optical drive ([Section 5.6](#))
  - c. Memory module compartment cover ([Section 5.7](#))
  - d. Mini PCI compartment cover ([Section 5.8](#))
  - e. Keyboard cover ([Section 5.9](#))
  - f. Keyboard ([Section 5.11](#))
  - g. Display assembly ([Section 5.12](#))
2. Position the computer with the front panel toward you.



Steps 3 through 5 apply only to HP Pavilion ze2000 models. See steps 6 through 8 in this section for information on removing the base enclosure screws on Compaq Presario M2000 models.

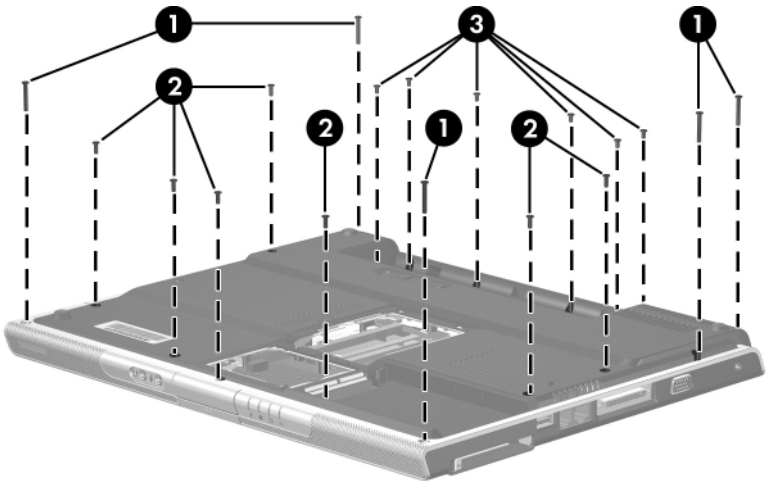
---

3. Remove the three PM2.0×6.0 screws **1** and the two black PM2.0×4.0 screws **2** that secure the base enclosure to the computer.



*Removing the Base Enclosure Screws, Part 1,  
HP Pavilion ze2000 Models Only*

4. Turn the computer upside down, with the front panel toward you.
5. Remove the following:
  - ❶ Five PM2.0×16.0 screws that secure the base enclosure the computer
  - ❷ Seven PM2.0×6.0 screws that secure the base enclosure the computer
  - ❸ Six silver PM2.0×5.0 screws that secure the base enclosure the computer



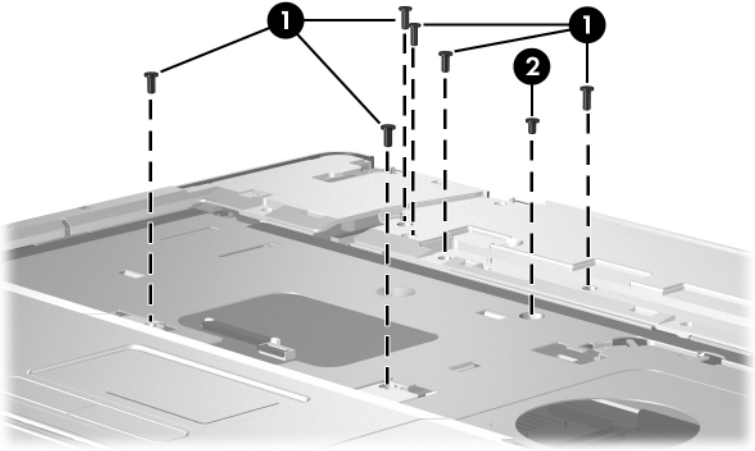
*Removing the Base Enclosure Screws, Part 2,  
HP Pavilion ze2000 Models Only*



Steps 6 through 8 apply only to Compaq Presario M2000 models.

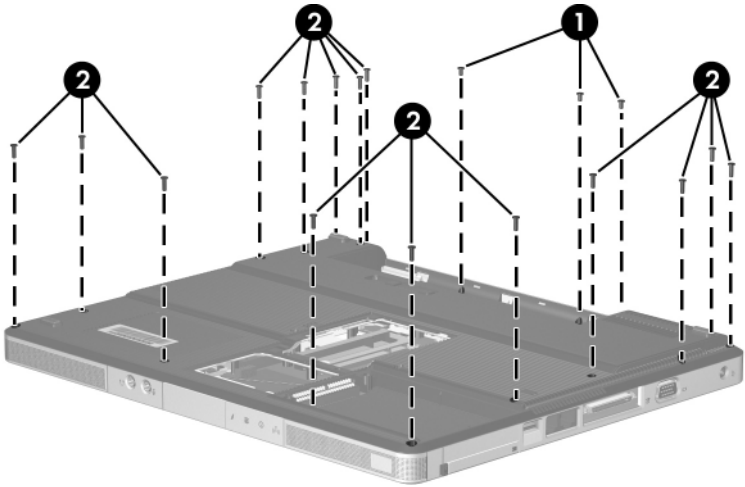
---

6. Remove the six PM2.0×7.0 screws **1** and the silver PM2.0×5.0 screw **2** that secure the base enclosure to the computer.



*Removing the Base Enclosure Screws, Part 1,  
Compaq Presario M2000 Models Only*

7. Turn the computer upside down, with the front panel toward you.
8. Remove the three black PM2.0×4.0 screws **1** and the fifteen PM2.0×7.0 screws **2** that secure the base enclosure to the computer.



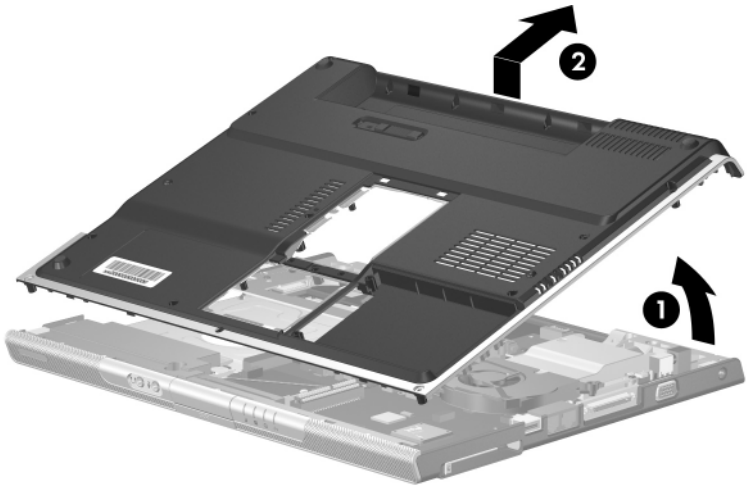
*Removing the Base Enclosure Screws, Part 2,  
Compaq Presario M2000 Models Only*



Steps 9 and 10 apply to both HP Pavilion ze2000 and Compaq Presario M2000 models.

---

9. Lift the rear edge of the base enclosure **1** until it disengages from the computer.
10. Slide the base enclosure **2** back and remove it.



### *Removing the Base Enclosure*

Reverse the above procedure to install the base enclosure.



## 5.14 Speaker Assembly

---

### Speaker Assembly Spare Part Number Information

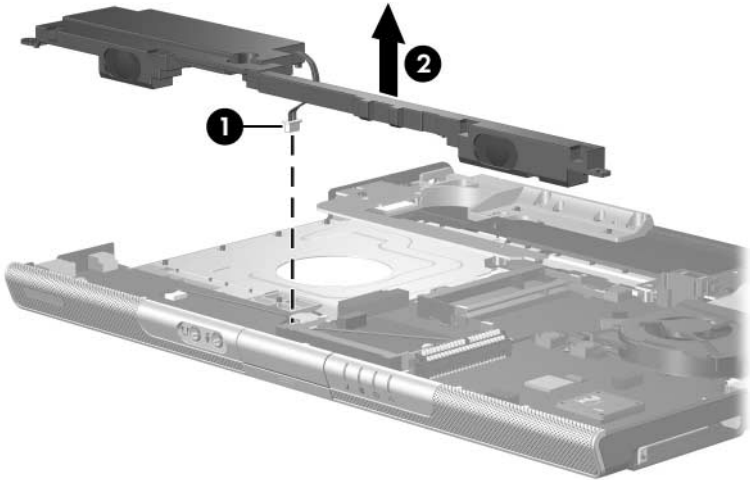
---

For use on HP Pavilion ze2000 models	382410-001
For use on Compaq Presario M2000 models	383189-001

---

1. Prepare the computer for disassembly ([Section 5.3](#)) and remove the following components:
  - a. Hard drive ([Section 5.4](#))
  - b. Optical drive ([Section 5.6](#))
  - c. Memory module compartment cover ([Section 5.7](#))
  - d. Mini PCI compartment cover ([Section 5.8](#))
  - e. Keyboard cover ([Section 5.9](#))
  - f. Keyboard ([Section 5.11](#))
  - g. Display assembly ([Section 5.12](#))
  - h. Base enclosure ([Section 5.13](#))

2. Disconnect the speaker cable ❶ from the system board.
3. Lift the speaker ❷ straight up to remove it from the top cover.



### *Removing the Speaker Assembly*

Reverse the above procedure to install the speaker assembly.

## 5.15 Heat Sink

---

### Heat Sink Spare Part Number Information

---

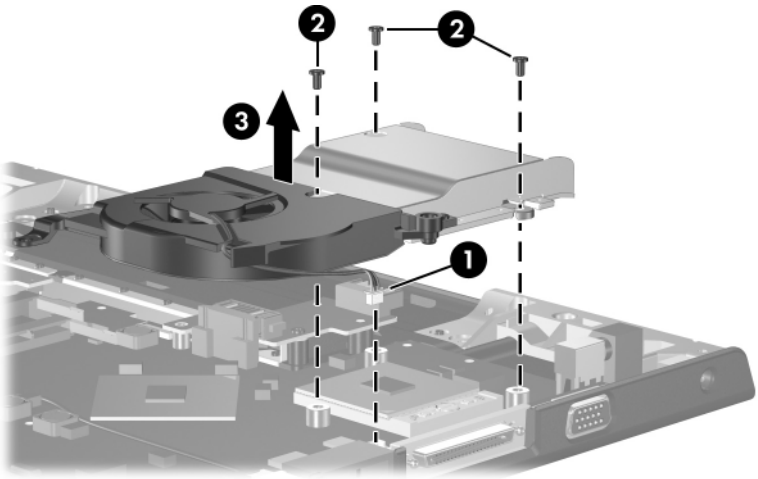
Heat sink (includes thermal pad)

382412-001

---

1. Prepare the computer for disassembly ([Section 5.3](#)) and remove the following components:
  - a. Hard drive ([Section 5.4](#))
  - b. Optical drive ([Section 5.6](#))
  - c. Memory module compartment cover ([Section 5.7](#))
  - d. Mini PCI compartment cover ([Section 5.8](#))
  - e. Keyboard cover ([Section 5.9](#))
  - f. Keyboard ([Section 5.11](#))
  - g. Display assembly ([Section 5.12](#))
  - h. Base enclosure ([Section 5.13](#))
2. Turn the computer upside down with the front panel toward you.

3. Disconnect the fan cable ❶ from the system board.
4. Remove the three silver PM2.0×4.0 screws ❷ that secure the heat sink to the top cover.
5. Remove the heat sink ❸.



### *Removing the Heat Sink*

Reverse the above procedure to install the heat sink.

## 5.16 Fan

---

### Fan Spare Part Number Information

---

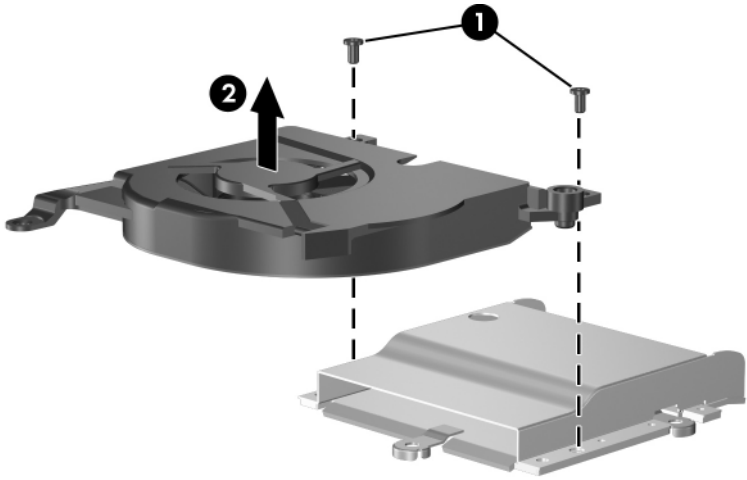
Fan (includes thermal pad)

382411-001

---

1. Prepare the computer for disassembly ([Section 5.3](#)) and remove the following components:
  - a. Hard drive ([Section 5.4](#))
  - b. Optical drive ([Section 5.6](#))
  - c. Memory module compartment cover ([Section 5.7](#))
  - d. Mini PCI compartment cover ([Section 5.8](#))
  - e. Keyboard cover ([Section 5.9](#))
  - f. Keyboard ([Section 5.11](#))
  - g. Display assembly ([Section 5.12](#))
  - h. Base enclosure ([Section 5.13](#))
  - i. Heat sink ([Section 5.15](#))
2. Turn the heat sink upside down with the front panel toward you.

3. Remove the two silver PM2.0×4.0 screws **1** that secure the fan to the heat sink.
4. Remove the fan **2**.



*Removing the Fan*

Reverse the above procedure to install the fan.

## 5.17 Processor

### Processor Spare Part Number Information

Intel Pentium M 745 (1.8-GHz) with 400-MHz FSB	373053-001
Intel Pentium M 735 (1.7-GHz) with 400-MHz FSB	373052-001
Intel Pentium M 725 (1.6-GHz) with 400-MHz FSB	367771-001
Intel Pentium M 715 (1.5-GHz) with 400-MHz FSB	383431-001
Intel Pentium M 715A (1.5-GHz) with 400-MHz FSB	380690-001
Intel Celeron M 380 (1.6-GHz) with 400-MHz FSB	397344-001
Intel Celeron M 370 (1.5-GHz) with 400-MHz FSB	383876-001
Intel Celeron M 360 (1.4-GHz) with 400-MHz FSB	380033-001
Intel Celeron M 350 (1.3-GHz) with 400-MHz FSB	380032-001
Intel Celeron M 320 (1.3-GHz) with 400-MHz FSB	394734-001

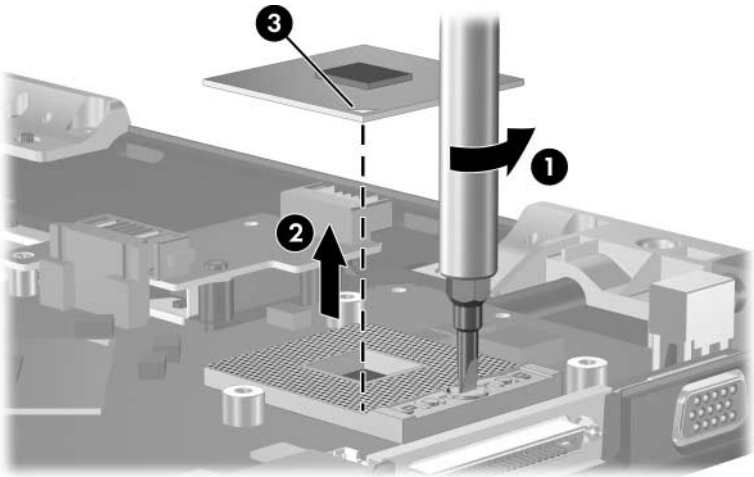
1. Prepare the computer for disassembly ([Section 5.3](#)) and remove the following components:
  - a. Hard drive ([Section 5.4](#))
  - b. Optical drive ([Section 5.6](#))
  - c. Memory module compartment cover ([Section 5.7](#))
  - d. Mini PCI compartment cover ([Section 5.8](#))
  - e. Keyboard cover ([Section 5.9](#))
  - f. Keyboard ([Section 5.11](#))
  - g. Display assembly ([Section 5.12](#))
  - h. Base enclosure ([Section 5.13](#))
  - i. Heat sink ([Section 5.15](#))

2. Turn the processor locking screw **1** one-quarter turn counterclockwise until you feel a click.
3. Lift the processor **2** straight up and remove it.



The gold triangle **3** on the processor should be aligned in the front right corner when you install the processor.

---



### *Removing the Processor*

Reverse the above procedure to install a processor.



## 5.18 Battery Connector Board

---

### Battery Connector Board Spare Part Number Information

---

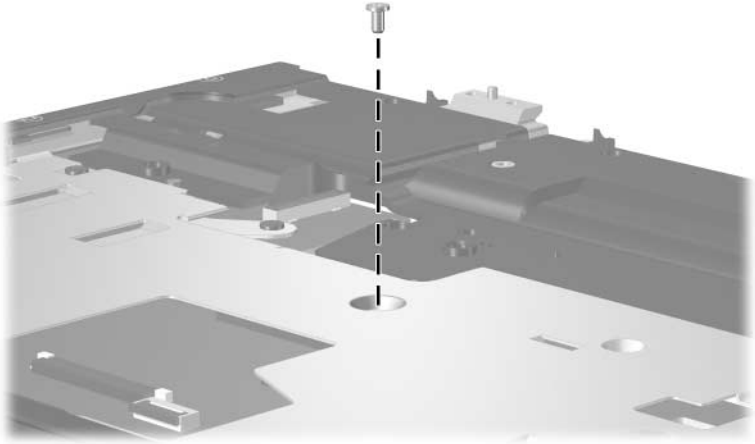
Battery connector board

382413-001

---

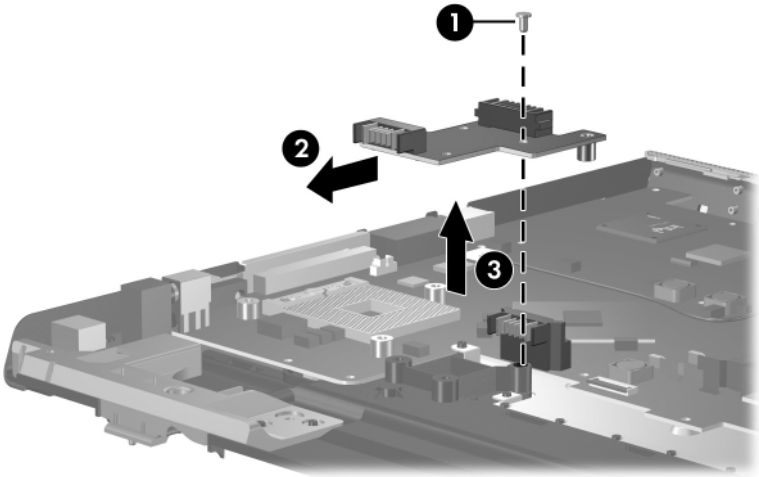
1. Prepare the computer for disassembly ([Section 5.3](#)) and remove the following components:
  - a. Hard drive ([Section 5.4](#))
  - b. Optical drive ([Section 5.6](#))
  - c. Memory module compartment cover ([Section 5.7](#))
  - d. Mini PCI compartment cover ([Section 5.8](#))
  - e. Keyboard cover ([Section 5.9](#))
  - f. Keyboard ([Section 5.11](#))
  - g. Display assembly ([Section 5.12](#))
  - h. Base enclosure ([Section 5.13](#))
2. Turn the top cover top-side up with the front panel toward you.

3. Remove the silver PM2.0×4.0 screw that secures the battery connector board to the top cover.



*Removing the Battery Connector Board Screw*

4. Turn the top cover upside down, with the front panel toward you.
5. Remove the silver PM2.0×4.0 screw **1** that secures the battery connector board to the top cover.
6. Slide the battery connector board **2** toward the rear panel until it disconnects from the system board.
7. Remove the battery connector board **3**.



### *Removing the Battery Connector Board*

Reverse the above procedure to install the the battery connector board.

## 5.19 Power Connector Board

---

### Power Connector Board Spare Part Number Information

---

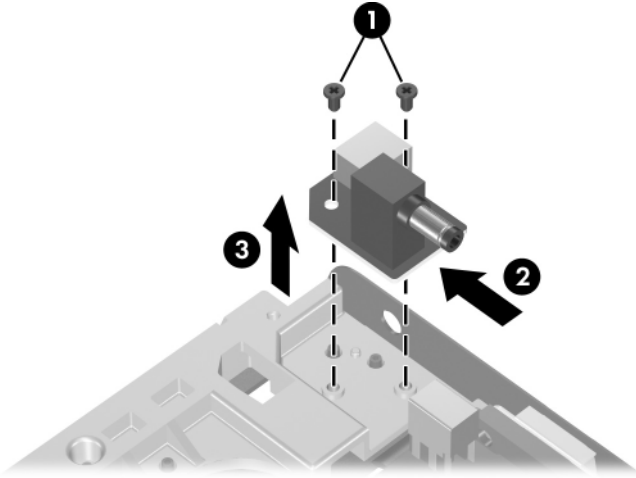
Power connector board

382414-001

---

1. Prepare the computer for disassembly ([Section 5.3](#)) and remove the following components:
  - a. Hard drive ([Section 5.4](#))
  - b. Optical drive ([Section 5.6](#))
  - c. Memory module compartment cover ([Section 5.7](#))
  - d. Mini PCI compartment cover ([Section 5.8](#))
  - e. Keyboard cover ([Section 5.9](#))
  - f. Keyboard ([Section 5.11](#))
  - g. Display assembly ([Section 5.12](#))
  - h. Base enclosure ([Section 5.13](#))

2. Remove the two silver PM2.0×4.0 screws **1** that secure the power connector board to the top cover.
3. Slide the power connector board **2** toward the rear panel until it disconnects it from the system board.
4. Remove the power connector board **3**.



### *Removing the Power Connector Board*

Reverse the above procedure to install the power connector board.

## 5.20 USB/S-Video Controller Board

---



This section applies only to full-featured models.

---

---

### USB/S-Video Controller Board Spare Part Number Information

---

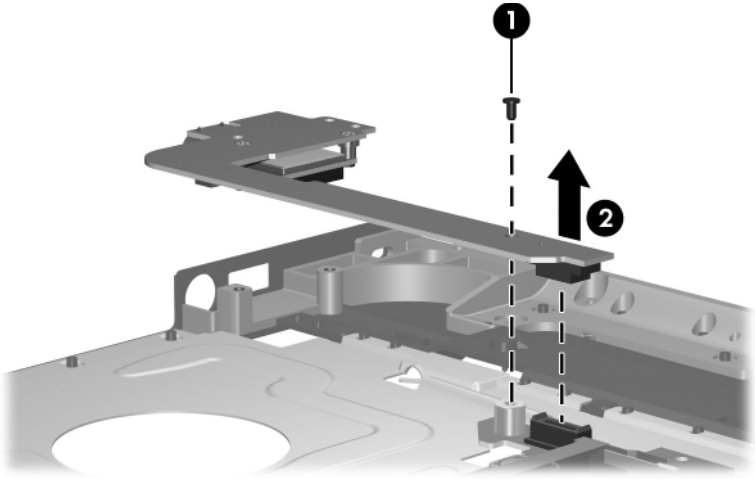
USB/S-Video controller board

382416-001

---

1. Prepare the computer for disassembly ([Section 5.3](#)) and remove the following components:
  - a. Hard drive ([Section 5.4](#))
  - b. Optical drive ([Section 5.6](#))
  - c. Memory module compartment cover ([Section 5.7](#))
  - d. Mini PCI compartment cover ([Section 5.8](#))
  - e. Keyboard cover ([Section 5.9](#))
  - f. Keyboard ([Section 5.11](#))
  - g. Display assembly ([Section 5.12](#))
  - h. Base enclosure ([Section 5.13](#))

2. Remove the silver PM2.0×4.0 screw ❶ that secures the USB/S-Video controller board to the top cover.
3. Lift up on the right side of the board ❷ to disconnect it from the system board.
4. Remove the USB/S-Video controller board.



*Removing the USB/S-Video Controller Board*

Reverse the above procedure to install the USB/S-Video controller board.

## 5.21 Bluetooth Board

---



This section applies only to full-featured models.

---

---

### Bluetooth Board Spare Part Number Information

---

Broadcomm Bluetooth board

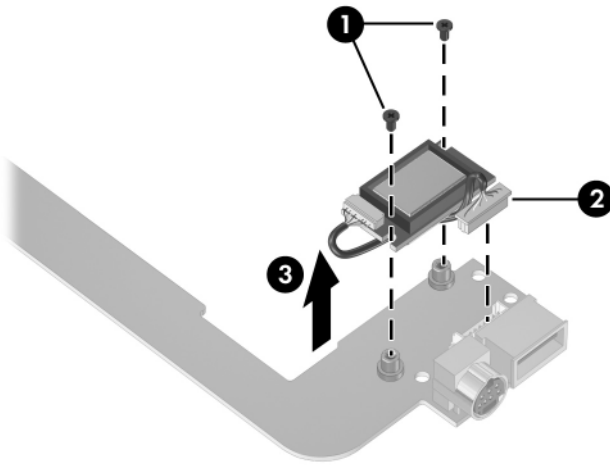
376651-001

---

1. Prepare the computer for disassembly ([Section 5.3](#)) and remove the following components:
  - a. Hard drive ([Section 5.4](#))
  - b. Optical drive ([Section 5.6](#))
  - c. Memory module compartment cover ([Section 5.7](#))
  - d. Mini PCI compartment cover ([Section 5.8](#))
  - e. Keyboard cover ([Section 5.9](#))
  - f. Keyboard ([Section 5.11](#))
  - g. Display assembly ([Section 5.12](#))
  - h. Base enclosure ([Section 5.13](#))
2. Turn the USB/S-Video controller board upside down with the USB port away from you.



3. Remove the two PM1.5×3.5 screws **1** that secure the Bluetooth board to the USB/S-Video controller board.
4. Disconnect the Bluetooth board cable **2** from the USB/S-Video controller board.
5. Remove the Bluetooth board **3**.



### *Removing the Bluetooth Board*

Reverse the above procedure to install the Bluetooth board.

## 5.22 System Board

---

### System Board Spare Part Number Information

---

855, for use on full-featured models with Intel Pentium M processors (includes a disk cell RTC battery)	381062-001
855GM, for use on full-featured models with Intel Pentium M processors	373522-001
852GM, for use on defeatured models with Intel Celeron M processors	373523-001
PC Card assembly	389525-001

---



---

All system board spares kits include a disk cell RTC battery.

---



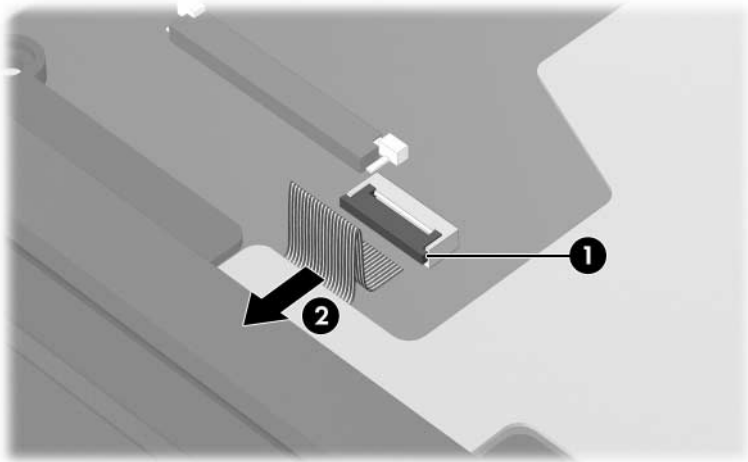
---

When replacing the system board, ensure that the following components are removed from the defective system board and installed on the replacement system board:

- Memory modules ([Section 5.7](#))
  - Mini PCI communications module ([Section 5.8](#))
  - Heat sink ([Section 5.15](#))
  - Processor ([Section 5.17](#))
-

1. Prepare the computer for disassembly ([Section 5.3](#)) and remove the following components:
  - a. Hard drive ([Section 5.4](#))
  - b. Optical drive ([Section 5.6](#))
  - c. Keyboard cover ([Section 5.9](#))
  - d. Keyboard ([Section 5.11](#))
  - e. Display assembly ([Section 5.12](#))
  - f. Base enclosure ([Section 5.13](#))
  - g. Speaker assembly ([Section 5.14](#))
  - h. Battery connector board ([Section 5.18](#))
  - i. Power connector board ([Section 5.19](#))
  - j. USB/S-Video controller board ([Section 5.20](#))
2. Turn the top cover top-side up, with the front panel toward you.

3. Release the ZIF connector **1** to which the TouchPad cable is connected and disconnect the cable **2** from the system board.



*Disconnecting the TouchPad Cable*

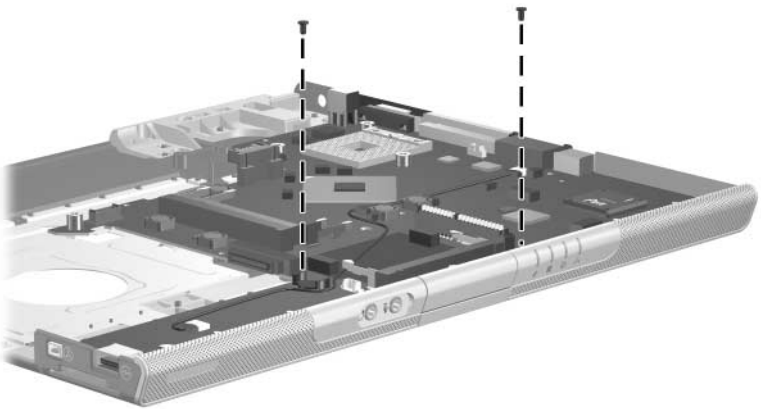
4. Turn the top cover upside down with the front toward you.



Step 5 applies only to HP Pavilion ze2000 models. See step 6 in this section for information on removing the system board screws on Compaq Presario M2000 models.

---

5. Remove the two silver PM2.0×4.0 screws that secure the system board to the top cover.



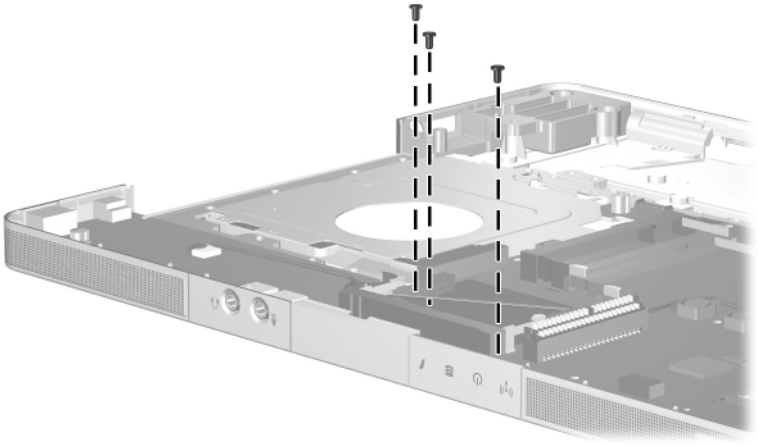
*Removing the System Board Screws, HP Pavilion ze2000 Models Only*



Step 6 applies only to Compaq Presario M2000 models.

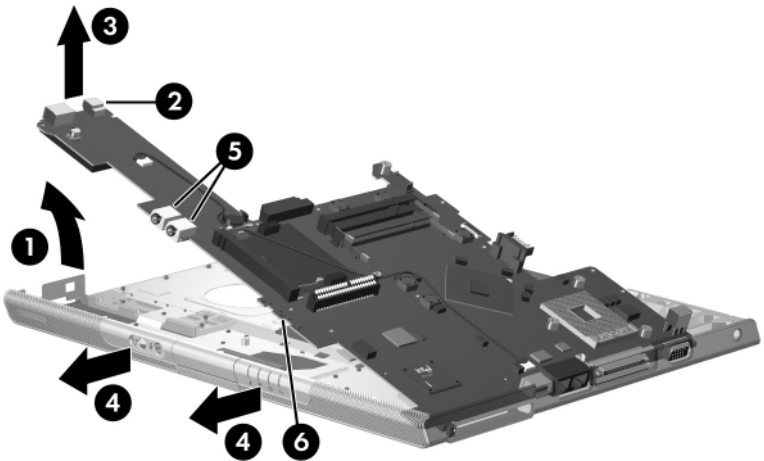
---

6. Remove the three silver PM2.0×4.0 screws that secure the system board to the top cover.



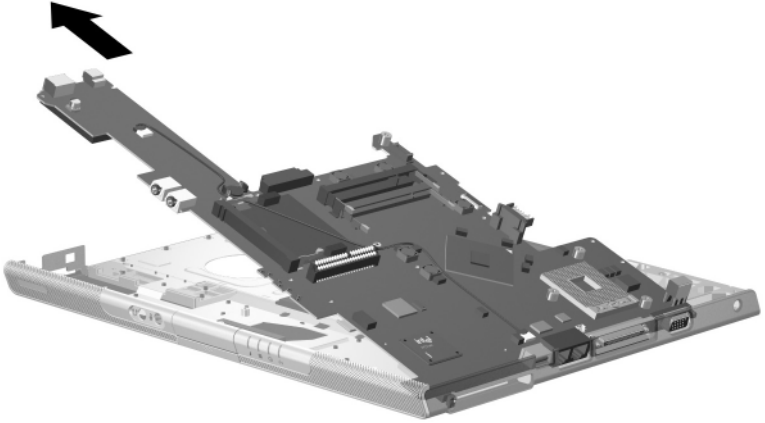
*Removing the System Board Screws,  
Compaq Presario M2000 Models Only*

7. Flex the left edge of the top cover **1** out until the 1394 connector **2** disengages from the top cover.
8. Lift the left side of the system board **3** until the 1394 connector is clear.
9. Flex the front edge of the top cover **4** until the audio connectors **5** and LED section **6** of the system board disengage from the top cover.



*Releasing the System Board*

10. Slide the system board to the left at an angle and remove it.



*Removing the System Board*

Reverse the above procedure to install the system board.



---

## Specifications

This chapter provides physical and performance specifications.

---

**Table 6-1**  
**Computer**

---

### Dimensions

#### HP Pavilion ze2000

Height (varies from front to back)	3.01 cm to 3.86 cm	1.19 in to 1.52 in
Width	23.46 cm	9.24 in
Depth	33.40 cm	13.15 in

#### Compaq Presario M2000

Height (varies from front to back)	3.29 cm to 3.89 cm	1.30 in to 1.53 in
Width	23.06 cm	9.08 in
Depth	33.40 cm	13.15 in

### Weight (varies by configuration)

HP Pavilion ze2000	2.44 kg	5.38 lb
Compaq Presario M2000	2.39 kg	5.26 lb


### Stand-alone power requirements

Operating voltage	18.5V dc @ 3.5 A - 65 W
Operating current	3.5 A

---

**Table 6-1**  
**Computer (Continued)**

<b>Temperature</b>		
Operating	10°C to 35°C	50°F to 95°F
Nonoperating	-20°C to 60°C	-4°F to 140°F
<b>Relative humidity (noncondensing)</b>		
Operating	10% to 90%	
Nonoperating	5% to 95%, 38.7°C (101.6°F) maximum wet bulb temperature	
<b>Maximum altitude (unpressurized)</b>		
Operating (14.7 to 10.1 psia)	-15 m to 3,048 m	-50 ft to 10,000 ft
Nonoperating (14.7 to 4.4 psia)	-15 m to 12,192 m	-50 ft to 40,000 ft
<b>Shock</b>		
Operating	125 g, 2 ms, half-sine	
Nonoperating	200 g, 2 ms, half-sine	
<b>Random Vibration</b>		
Operating	0.75 g zero-to-peak, 10 Hz to 500 Hz, 0.25 oct/min sweep rate	
Nonoperating	1.50 g zero-to-peak, 10 Hz to 500 Hz, 0.5 oct/min sweep rate	

 Applicable product safety standards specify thermal limits for plastic surfaces. The computer operates well within this range of temperatures.

**Table 6-2**  
**15.0-inch, XGA, Display**

<b>Dimensions</b>		
Height	22.9 cm	9.0 in
Width	30.0 cm	11.8 in
Diagonal	38.1 cm	15.0 in
<b>Number of colors</b>	Up to 16.8 million	
<b>Contrast ratio</b>	250:1	
<b>Brightness</b>	150 nits typical	
<b>Pixel resolution</b>		
Pitch	0.264 × 0.264 mm	
Format	1024 × 768	
Configuration	RGB vertical stripe	
<b>Backlight</b>	Edge lit	
<b>Character display</b>	80 × 25	
<b>Total power consumption</b>	5.5 W	
<b>Viewing angle</b>	+/-35° horizontal, +15/-35° vertical typical	

**Table 6-3**  
**Hard Drives**

	80-GB*	60-GB*	40-GB*
<b>Dimensions</b>			
Height	9.5 mm	9.5 mm	9.5 mm
Width	70 mm	70 mm	70 mm
Weight	99 g	102 g	99 g
<b>Interface type</b>	ATA-5	ATA-5	ATA-5
<b>Transfer rate</b>			
Synchronous (maximum)	100 MB/sec	100 MB/sec	100 MB/sec
Security	ATA security	ATA security	ATA security
<b>Seek times</b> (typical read, including setting)			
Single track	3 ms	3 ms	3 ms
Average	13 ms	13 ms	13 ms
Maximum	24 ms	24 ms	24 ms
<b>Logical blocks</b> <sup>†</sup>	156,301,488	117,210,240	78,140,160
<b>Disc rotational speed</b>	4200 rpm	4200 rpm	4200 rpm
<b>Operating temperature</b>	5°C to 55°C (41°F to 131°F)		



Certain restrictions and exclusions apply. Consult Customer Care for details.

\*1 GB = 1 billion bytes when referring to hard drive storage capacity. Actual capacity is less.

<sup>†</sup>Actual drive specifications may differ slightly.

---

**Table 6-4**  
**Primary 6-cell, Li-Ion Battery Pack**

---

**Dimensions**

Height	2.00 cm	0.79 in
Width	9.40 cm	3.70 in
Depth	13.40 cm	5.28 in
Weight	0.34 kg	0.75 lb

---

**Energy**

Voltage	11.1 V
Amp-hour capacity	4.4 Ah
Watt-hour capacity	48 Wh

---

**Temperature**

Operating	5°C to 45°C	41°F to 113°F
Nonoperating	0°C to 60°C	32°F to 140°F

---

**Table 6-5**  
**24X DVD/CD-RW Combo Drive**

<b>Applicable disc</b>	<b>Read:</b>	<b>Write:</b>
	DVD-R, DVD-RW, DVD-ROM (DVD-5, DVD-9, DVD-10, DVD-18), CD-ROM (Mode 1 and 2) CD Digital Audio CD-XA ready (Mode 2, Form 1 and 2) CD-I ready (Mode 2, Form 1 and 2) CD-R, CD-RW Photo CD (single and multisession) CD-Bridge	CD-R and CD-RW
<b>Center hole diameter</b>	1.5 cm (0.59 in)	
<b>Disc diameter</b>		
Standard disc	12 cm (4.72 in)	
Mini disc	8 cm (3.15 in)	

**Table 6-5**  
**24X DVD/CD-RW Combo Drive (Continued)**

<b>Disc thickness</b>	1.2 mm (0.047 in)	
<b>Track pitch</b>	0.74 $\mu$ m	
<b>Access time</b>	CD media	DVD media
Random	< 110 ms	< 130 ms
Full stroke	< 210 ms	< 225 ms
<b>Audio output level</b>	Line-out, 0.7 V rms	
<b>Cache buffer</b>	2 MB	
<b>Data transfer rate</b>		
CD-R (24X)	3600 KB/s (150 KB/s at 1X CD rate)	
CD-RW (10X)	1500 KB/s (150 KB/s at 1X CD rate)	
CD-ROM (24X)	3600 KB/s (150 KB/s at 1X CD rate)	
DVD (8X)	10,800 KB/s (1352 KB/s at 1X DVD rate)	
Multiword DMA mode 2	16.6 MB/s	
<b>Startup time</b>	< 15 seconds	
<b>Stop time</b>	< 6 seconds	

**Table 6-6**  
**8X DVD±RW/R and CD-RW Combo Drive**

<b>Applicable disc</b>	<b>Read:</b>	<b>Write:</b>
	DVD-R, DVD-RW, DVD-ROM (DVD-5, DVD-9, DVD-10, DVD-18), CD-ROM (Mode 1 and 2) CD Digital Audio CD-XA ready (Mode 2, Form 1 and 2) CD-I ready (Mode 2, Form 1 and 2) CD-R, CD-RW Photo CD (single and multisession) CD-Bridge	CD-R and CD-RW DVD-R and DVD-RW
<b>Center hole diameter</b>	1.5 cm (0.59 in)	
<b>Disc diameter</b>		
Standard disc	12 cm (4.72 in)	
Mini disc	8 cm (3.15 in)	



**Table 6-6**  
**8X DVD±RW/R and CD-RW Combo Drive (Continued)**

<b>Disc thickness</b>	1.2 mm (0.047 in)	
<b>Track pitch</b>	0.74 $\mu$ m	
<b>Access time</b>	CD	DVD
Random	< 175 ms	< 230 ms
Full stroke	< 285 ms	< 335 ms
<b>Audio output level</b>	Audio-out, 0.7 Vrms	
<b>Cache buffer</b>	2 MB	
<b>Data transfer rate</b>		
CD-R (16X)	2,400 KB/s (150 KB/s at 1X CD rate)	
CD-RW (8X)	1,200 KB/s (150 KB/s at 1X CD rate)	
CD-ROM (24X)	3,600 KB/s (150 KB/s at 1X CD rate)	
DVD (8X)	10,800 KB/s (1,352 KB/s at 1X DVD rate)	
DVD-R (4X)	5,400 KB/s (1,352 KB/s at 1X DVD rate)	
DVD-RW (2X)	2,700 KB/s (1,352 KB/s at 1X DVD rate)	
Multiword DMA mode 2	16.6 MB/s	
<b>Startup time</b>	< 15 seconds	
<b>Stop time</b>	< 6 seconds	

---

**Table 6-7**  
**8X DVD-ROM Drive**

---

<b>Applicable disc</b>	DVD-ROM (DVD-5, DVD-9, DVD-10, DVD-18) CD-ROM (Mode 1 and 2) CD Digital Audio CD-XA ready (Mode 2, Form 1 and 2) CD-I ready (Mode 2, Form 1 and 2) CD-R CD-RW Photo CD (single and multisession) CD-Bridge
<b>Center hole diameter</b>	1.5 cm (0.59 in)
<b>Disc diameter</b>	
Standard disc	12 cm (4.72 in)
Mini disc	8 cm (3.15 in)
<b>Disc thickness</b>	1.2 mm (0.047 in)

---

**Table 6-7**  
**8X DVD-ROM Drive (Continued)**

<b>Track pitch</b>	0.74 $\mu$ m	
<b>Access time</b>	CD media	DVD media
Random	< 100 ms	< 125 ms
Full stroke	< 175 ms	< 225 ms
<b>Audio output level</b>	Line-out, 0.7 V rms	
<b>Cache buffer</b>	512 KB	
<b>Data transfer rate</b>		
CD-R (24X)	3600 KB/s (150 KB/s at 1X CD rate)	
CD-RW (10X)	1500 KB/s (150 KB/s at 1X CD rate)	
CD-ROM (24X)	3600 KB/s (150 KB/s at 1X CD rate)	
DVD (8X)	10,800 KB/s (1352 KB/s at 1X DVD rate)	
Multiword DMA mode 2	16.6 MB/s	
<b>Startup time</b>	< 10 seconds	
<b>Stop time</b>	< 3 seconds	

**Table 6-8**  
**24X CD-ROM Drive**

<b>Applicable disc</b>	Applicable disc CD-ROM (Mode 1 and 2) CD Digital Audio CD-XA ready (Mode 2, Form 1 and 2) CD-I ready (Mode 2, Form 1 and 2) CD-R CD-RW Photo CD (single/multisession) CD-Bridge	
<b>Center hole diameter</b>	1.5 cm (0.59 in)	
<b>Disc diameter</b>		
Standard disc	12 cm (4.72 in)	
Mini disc	8 cm (3.15 in)	
<b>Disc thickness</b>	1.2 mm (0.047 in)	
<b>Track pitch</b>	1.6 µm	
<b>Access time</b>	CD media	DVD media
Random	< 110 ms	< 125 ms
Full stroke	< 220 ms	< 225 ms
<b>Audio output level</b>	Line-out, 0.7 V rms	
<b>Cache buffer</b>	128 KB/s	
<b>Data transfer rate</b>		
CD-R (24X)	3600 KB/s (150 KB/s at 1X CD rate)	
Multiword DMA mode 2	16.6 MB/s	
<b>Startup time</b>	< 8 seconds	
<b>Stop time</b>	< 4 seconds	

**Table 6-9**  
**System DMA**

<b>Hardware DMA</b>	<b>System Function</b>
DMA0	n/a
DMA1*	n/a
DMA2*	n/a
DMA3	n/a
DMA4	Direct memory access controller
DMA5*	Available for PC Card
DMA6	Not assigned
DMA7	Not assigned

\*PC Card controller can use DMA 1, 2, or 5.

**Table 6-10**  
**System Interrupts**

<b>Hardware IRQ</b>	<b>System Function</b>
IRQ0	System timer
IRQ1	Standard 101-/102-Key or Microsoft Natural Keyboard
IRQ2	Cascaded
IRQ3	Intel 82801DB/DBM USB2 Enhanced Host Controller—24CD
IRQ4	COM1
IRQ5*	Conexant AC—Link Audio Intel 82801DB/DBM SMBus Controller—24C3 Data Fax Modem with SmartCP
IRQ6	Diskette drive

**Table 6-10**  
**System Interrupts (Continued)**

IRQ7*	Parallel port
IRQ8	System CMOS/real-time clock
IRQ9*	Microsoft ACPI-compliant system
IRQ10*	Intel USB UHCI controller—24C2 Intel 82852/82855 GM/GME Graphic Controller Realtek RTL8139 Family PCI fast Ethernet Controller
IRQ11	Intel USB EHCI controller—24CD Intel USB UHCI controller—24C4 Intel USB UHCI controller—24C7 Intel Pro/Wireless 2200BG TI OHCI 1394 host controller TI PCI1410 cardbus controller
IRQ12	Synaptics PS/2 TouchPad
IRQ13	Numeric data processor
IRQ14	Primary IDE channel
IRQ15	Secondary IDE channel

\*Default configuration; audio possible configurations are IRQ5, IRQ7, IRQ9, IRQ10, or none.



PC Cards may assert IRQ3, IRQ4, IRQ5, IRQ7, IRQ9, IRQ10, IRQ11, or IRQ15. Either the infrared or the serial port may assert IRQ3 or IRQ4.

**Table 6-11**  
**System I/O Addresses**

<b>I/O Address (hex)</b>	<b>System Function (shipping configuration)</b>
000 - 00F	DMA controller no. 1
010 - 01F	Unused
020 - 021	Interrupt controller no. 1
022 - 024	Opti chipset configuration registers
025 - 03F	Unused
02E - 02F	87334 "Super I/O" configuration for CPU
040 - 05F	Counter/timer registers
044 - 05F	Unused
060	Keyboard controller
061	Port B
062 - 063	Unused
064	Keyboard controller
065 - 06F	Unused
070 - 071	NMI enable/RTC
072 - 07F	Unused
080 - 08F	DMA page registers
090 - 091	Unused
092	Port A
093 - 09F	Unused
0A0 - 0A1	Interrupt controller no. 2

**Table 6-11**  
**System I/O Addresses (Continued)**

<b>I/O Address (hex)</b>	<b>System Function (shipping configuration)</b>
0A2 - 0BF	Unused
0C0 - 0DF	DMA controller no. 2
0E0 - 0EF	Unused
0F0 - 0F1	Coprocessor busy clear/reset
0F2 - 0FF	Unused
100 - 16F	Unused
170 - 177	Secondary fixed disk controller
178 - 1EF	Unused
1F0 - 1F7	Primary fixed disk controller
1F8 - 200	Unused
201	Joystick (decoded in ESS1688)
202 - 21F	Unused
220 - 22F	Entertainment audio
230 - 26D	Unused
26E - 26	Unused
278 - 27F	Unused
280 - 2AB	Unused
2A0 - 2A7	Unused
2A8 - 2E7	Unused
2E8 - 2EF	Reserved serial port



**Table 6-11**  
**System I/O Addresses (Continued)**

<b>I/O Address (hex)</b>	<b>System Function (shipping configuration)</b>
2F0 - 2F7	Unused
2F8 - 2FF	Infrared port
300 - 31F	Unused
320 - 36F	Unused
370 - 377	Secondary diskette drive controller
378 - 37F	Parallel port (LPT1/default)
380 - 387	Unused
388 - 38B	FM synthesizer—OPL3
38C - 3AF	Unused
3B0 - 3BB	VGA
3BC - 3BF	Reserved (parallel port/no EPP support)
3C0 - 3DF	VGA
3E0 - 3E1	PC Card controller in CPU
3E2 - 3E3	Unused
3E8 - 3EF	Internal modem
3F0 - 3F7	“A” diskette controller
3F8 - 3FF	Serial port (COM1/default)
CF8 - CFB	PCI configuration index register (PCIDIVO-1)
CFC - CFF	PCI configuration data register (PCIDIVO-1)

---

**Table 6-12**  
**System Memory Map**

<b>Size</b>	<b>Memory Address</b>	<b>System Function</b>
640 KB	00000000-0009FFFF	Base memory
128 KB	000A0000-000BFFFF	Video memory
48 KB	000C0000-000CBFFF	Video BIOS
160 KB	000C8000-000E7FFF	Unused
64 KB	000E8000-000FFFFF	System BIOS
15 MB	00100000-00FFFFFF	Extended memory
58 MB	01000000-047FFFFF	Super extended memory
58 MB	04800000-07FFFFFF	Unused
2 MB	08000000-080FFFFF	Video memory (direct access)
4 GB	08200000-FFFEFFFF	Unused
64 KB	FFFF0000-FFFFFFFF	System BIOS

---

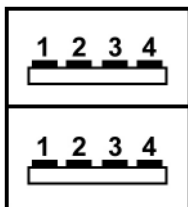
# A

---

## Connector Pin Assignments

---

**Table A-1**  
**Universal Serial Bus**

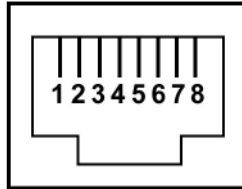


---

<b>Pin</b>	<b>Signal</b>	<b>Pin</b>	<b>Signal</b>
1	+5 VDC	3	Data +
2	Data -	4	Ground

---

**Table A-2**  
**RJ-45 (Network)**



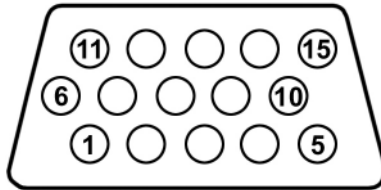
<b>Pin</b>	<b>Signal</b>	<b>Pin</b>	<b>Signal</b>
1	Transmit +	5	Unused
2	Transmit –	6	Receive –
3	Receive +	7	Unused
4	Unused	8	Unused

**Table A-3**  
**S-Video-Out**



Pin	Signal	Pin	Signal
1	S-VHS color (C) signal	5	TV-CD
2	Composite video signal	6	S-VHS intensity ground
3	S-VHS intensity (Y) signal	7	Composite video ground
4	S-VHS color ground		

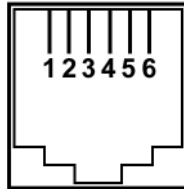
**Table A-4**  
**External Monitor**



Pin	Signal	Pin	Signal
1	Red analog	9	+5 VDC
2	Green analog	10	Ground
3	Blue analog	11	Monitor detect
4	Not connected	12	DDC 2B data
5	Ground	13	Horizontal sync
6	Ground analog	14	Vertical sync
7	Ground analog	15	DDC 2B clock
8	Ground analog		

---

**Table A-5**  
**RJ-11 (Modem)**

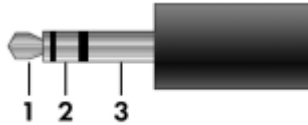


---

<b>Pin</b>	<b>Signal</b>	<b>Pin</b>	<b>Signal</b>
1	Unused	4	Unused
2	Tip	5	Unused
3	Ring	6	Unused

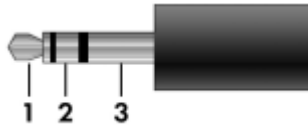
---

**Table A-6**  
**Audio-In (Microphone)**



Pin	Signal	Pin	Signal
1	Audio signal in	3	Ground
2	Audio signal in		

**Table A-7**  
**Audio-Out (Headphone)**



Pin	Signal	Pin	Signal
1	Audio out, left channel	3	Ground
2	Audio out, right channel		



---

## Power Cord Set Requirements

### 3-Conductor Power Cord Set

The wide range input feature of the computer permits it to operate from any line voltage from 100 to 120 or 220 to 240 volts AC.

The power cord set included with the computer meets the requirements for use in the country where the equipment is purchased.

Power cord sets for use in other countries must meet the requirements of the country where the computer is used.

## General Requirements

The requirements listed below are applicable to all countries.

- The length of the power cord set must be at least 1.5 m (5.0 ft) and a maximum of 2.0 m (6.5 ft).
- All power cord sets must be approved by an acceptable accredited agency responsible for evaluation in the country where the power cord set will be used.
- The power cord sets must have a minimum current capacity of 10 amps and a nominal voltage rating of 125 or 250 V AC, as required by each country's power system.
- The appliance coupler must meet the mechanical configuration of an EN 60 320/IEC 320 Standard Sheet C13 connector for mating with the appliance inlet on the back of the computer.

# Country-Specific Requirements

## 3-Conductor Power Cord Set Requirements

Country/Region	Accredited Agency	Applicable Note Number
Australia	EANSW	1
Austria	OVE	1
Belgium	CEBC	1
Canada	CSA	2
Denmark	DEMKO	1
Finland	FIMKO	1
France	UTE	1
Germany	VDE	1
Italy	IMQ	1
Japan	METI	3



### NOTES:

1. The flexible cord must be <HAR> Type HO5VV-F, 3-conductor, 1.0 mm<sup>2</sup> conductor size. Power cord set fittings (appliance coupler and wall plug) must bear the certification mark of the agency responsible for evaluation in the country where it will be used.
2. The flexible cord must be Type SPT-3 or equivalent, No. 18 AWG, 3-conductor. The wall plug must be a two-pole grounding type with a NEMA 5-15P (15 A, 125 V) or NEMA 6-15P (15 A, 250 V) configuration.
3. The appliance coupler, flexible cord, and wall plug must bear a "T" mark and registration number in accordance with the Japanese Dentori Law. The flexible cord must be Type VCT or VCTF, 3-conductor, 1.00 mm<sup>2</sup> conductor size. The wall plug must be a two-pole grounding type with a Japanese Industrial Standard C8303 (7 A, 125 V) configuration.

### 3-Conductor Power Cord Set Requirements (*Continued*)

Country/Region	Accredited Agency	Applicable Note Number
Korea	EK	4
The Netherlands	KE A	1
Norway	NEMKO	1
People's Republic of China	CCC	5
Sweden	SEMKO	1
Switzerland	SEV	1
Taiwan	BSMI	4
United Kingdom	BSI	1
United States	UL	2



#### NOTES:

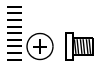

1. The flexible cord must be <HAR> Type HO5VV-F, 3-conductor, 1.0 mm<sup>2</sup> conductor size. Power cord set fittings (appliance coupler and wall plug) must bear the certification mark of the agency responsible for evaluation in the country where it will be used.
2. The flexible cord must be Type SPT-3 or equivalent, No. 18 AWG, 3-conductor. The wall plug must be a two-pole grounding type with a NEMA 5-15P (15 A, 125 V) or NEMA 6-15P (15 A, 250 V) configuration.
3. The appliance coupler, flexible cord, and wall plug must bear a "T" mark and registration number in accordance with the Japanese Dentori Law. The flexible cord must be Type VCT or VCTF, 3-conductor, 1.00 mm<sup>2</sup> conductor size. The wall plug must be a two-pole grounding type with a Japanese Industrial Standard C8303 (7 A, 125 V) configuration.
4. The flexible cord must be Type RVV, 3-conductor, 0.75 mm<sup>2</sup> conductor size. Power cord set fittings (appliance coupler and wall plug) must bear the certification mark of the agency responsible for evaluation in the country where it will be used.
5. The flexible cord must be Type VCTF, 3-conductor, 0.75 mm<sup>2</sup> conductor size. Power cord set fittings (appliance coupler and wall plug) must bear the certification mark of the agency responsible for evaluation in the country where it will be used.

## Screw Listing

This appendix provides specification and reference information for the screws used in the computer. All screws listed in this appendix are available in the Miscellaneous Screw Kits, spare part numbers 382402-001 (for use on HP Pavilion ze2000 models) and 382403-001 (for use on Compaq Presario M2000 models).

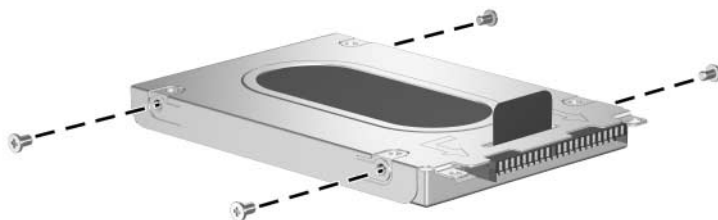
**Table C-1**

### Phillips PM2.5×4.0 Screw

 mm 	Color	Qty.	Length	Thread	Head Width
	Silver	4	4.0 mm	2.5 mm	4.0 mm

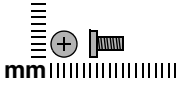
**Where used:**

4 screws that secure the hard drive frame to the hard drive (documented in [Section 5.3](#))



*Phillips PM2.5×4.0 Screw Locations*

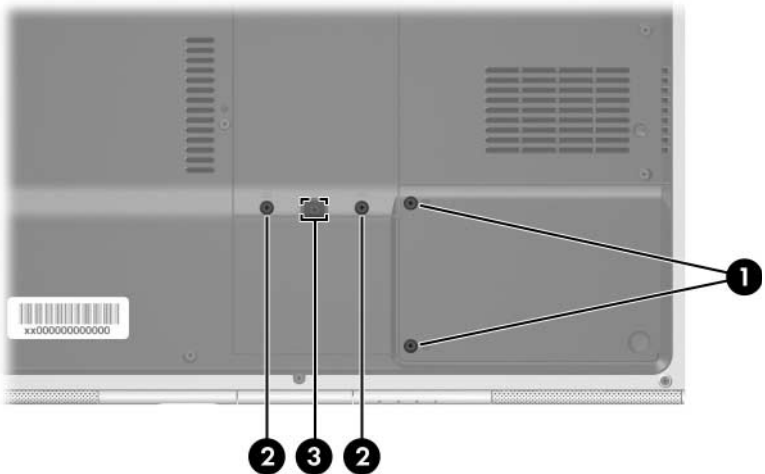
**Table C-2**  
**Black Phillips PM2.0x5.0 Screw**



Color	Qty.	Length	Thread	Head Width
Black	5	5.0 mm	2.0 mm	4.0 mm

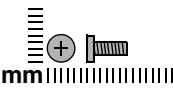
**Where used:**

- ❶ Two screws that secure the hard drive cover to the computer (screws are captured on the cover by C clips; documented in [Section 5.3](#))
- ❷ Two screws that secure the memory module compartment cover to the computer (screws are captured on the cover by C clips; documented in [Section 5.7](#))
- ❸ One screw that secures the Mini PCI compartment cover to the computer (screw is captured on the cover by C clips; documented in [Section 5.8](#))



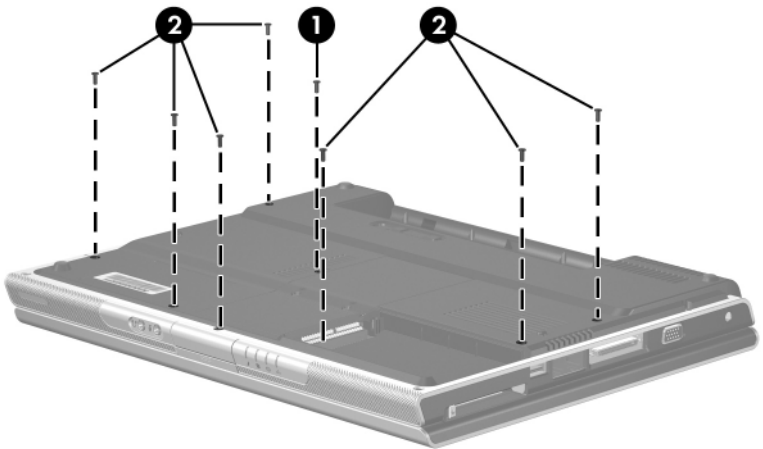
*Black Phillips PM2.0x5.0 Screw Locations*

**Table C-3**  
**Phillips PM2.0x6.0 Screw**

	Color	Qty.	Length	Thread	Head Width
	Black	22	6.0 mm	2.0 mm	4.0 mm

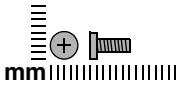
**Where used:**

- ❶ One screw that secures the optical drive to the computer (documented in [Section 5.6](#))
- ❷ Seven screws that secure the base enclosure on the HP Pavilion ze2000 computer (documented in [Section 5.13](#))



*Phillips PM2.0x6.0 Screw Locations*

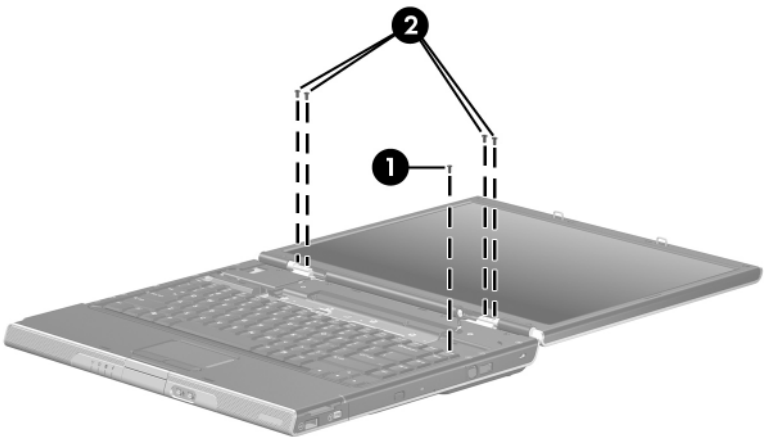
**Table C-3**  
**Phillips PM2.0×6.0 Screw (Continued)**



Color	Qty.	Length	Thread	Head Width
Black	22	6.0 mm	2.0 mm	4.0 mm

**Where used:**

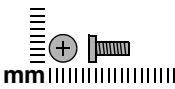
- ❶ One screw that secures the keyboard to the computer (documented in [Section 5.11](#))
- ❷ Four screws that secure the display assembly on the HP Pavilion ze2000 (documented in [Section 5.12](#))



*Phillips PM2.0×6.0 Screw Locations*



**Table C-3**  
**Phillips PM2.0x6.0 Screw (Continued)**

	Color	Qty.	Length	Thread	Head Width
	Black	22	6.0 mm	2.0 mm	4.0 mm

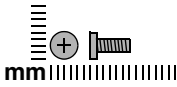
**Where used:**

6 screws that secure the display assembly on the Compaq Presario M2000 (documented in [Section 5.12](#))



*Phillips PM2.0x6.0 Screw Locations*

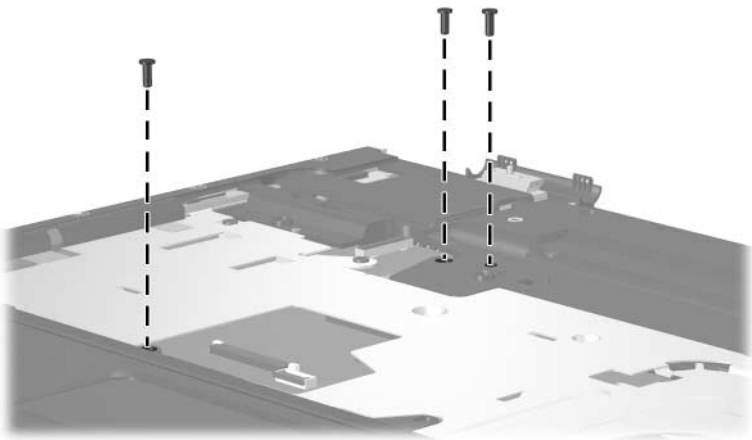
**Table C-3**  
**Phillips PM2.0x6.0 Screw (Continued)**



Color	Qty.	Length	Thread	Head Width
Black	22	6.0 mm	2.0 mm	4.0 mm

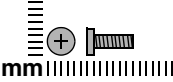
**Where used:**

3 screws that secure the base enclosure to the computer (documented in [Section 5.13](#))



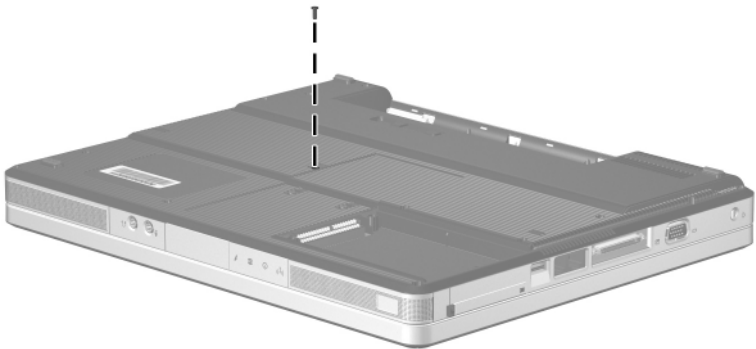
*Phillips PM2.0x6.0 Screw Locations*

**Table C-4**  
**Phillips PM2.0x7.0 Screw**

	Color	Qty.	Length	Thread	Head Width
	Black	18	7.0 mm	2.0 mm	4.0 mm

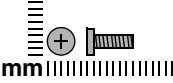
**Where used:**

One screw that secures the optical drive on the Compaq Presario M2000 (documented in [Section 5.6](#))



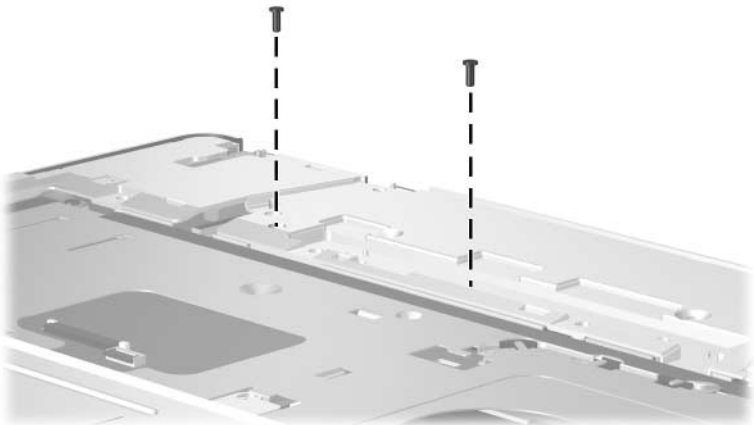
*Phillips PM2.0x7.0 Screw Location*

**Table C-4**  
**Phillips PM2.0x7.0 Screw (Continued)**

	Color	Qty.	Length	Thread	Head Width
	Black	18	7.0 mm	2.0 mm	4.0 mm

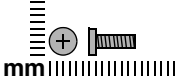
**Where used:**

2 screws that secure the base enclosure on the Compaq Presario M2000 (documented in [Section 5.13](#))



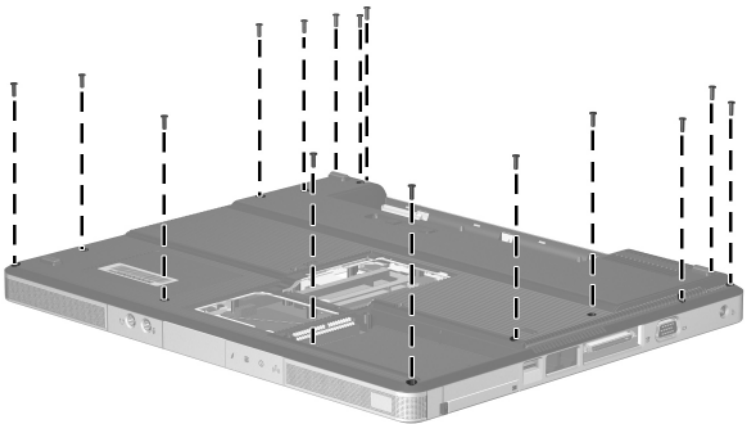
*Phillips PM2.0x7.0 Screw Locations*

**Table C-4**  
**Phillips PM2.0x7.0 Screw (Continued)**

	Color	Qty.	Length	Thread	Head Width
	Black	18	7.0 mm	2.0 mm	4.0 mm

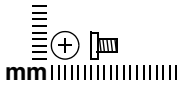
**Where used:**

15 screws that secure the base enclosure on the Compaq Presario M2000 (documented in [Section 5.13](#))



*Phillips PM2.0x7.0 Screw Locations*

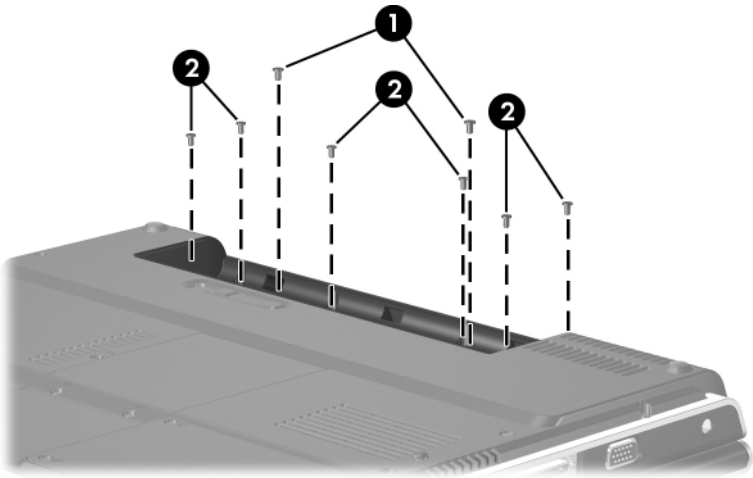
**Table C-5**  
**Silver Phillips PM2.0x5.0 Screw**



Color	Qty.	Length	Thread	Head Width
Silver	9	5.0 mm	2.0 mm	4.0 mm

**Where used:**

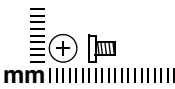
- ❶ Two screws that secure the keyboard cover to the computer (documented in [Section 5.11](#))
- ❷ Six screws that secure the base enclosure on the HP Pavilion ze2000 (documented in [Section 5.13](#))



*Silver Phillips PM2.0x5.0 Screw Locations*

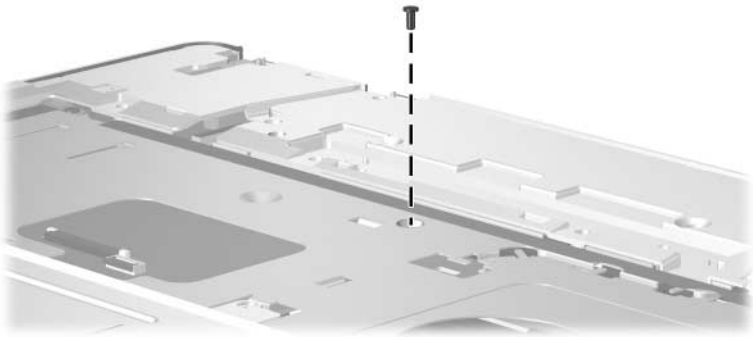
Table C-5

Silver Phillips PM2.0×5.0 Screw (*Continued*)

	Color	Qty.	Length	Thread	Head Width
	Silver	9	5.0 mm	2.0 mm	4.0 mm

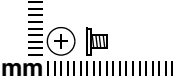
**Where used:**

One screw that secures the base enclosure to the computer (documented in [Section 5.13](#))



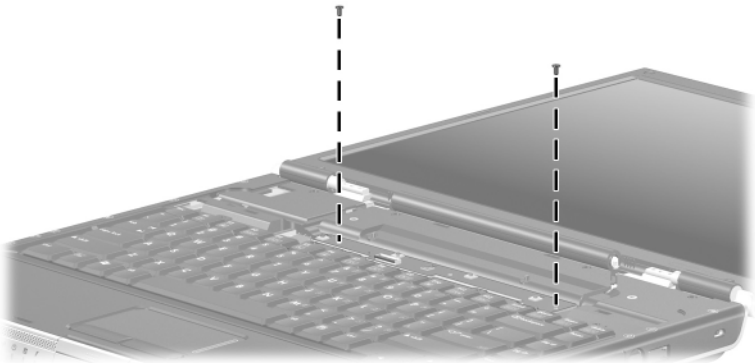
Silver Phillips PM2.0×5.0 Screw Location

**Table C-6**  
**Phillips PM2.0x3.0 Screw**

	Color	Qty.	Length	Thread	Head Width
	Silver	2	3.0 mm	2.0 mm	4.0 mm

**Where used:**

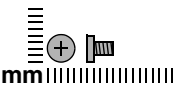
2 screws that secure the LED board to the computer (documented in [Section 5.10](#))



*Phillips PM2.0x3.0 Screw Locations*

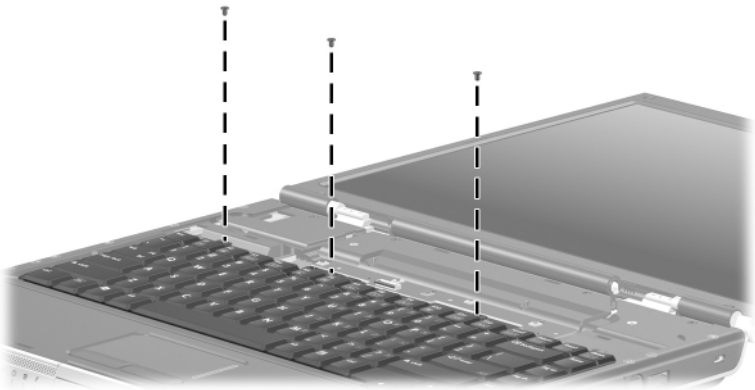


**Table C-7**  
**Black Phillips PM2.0×4.0 Screw**

	Color	Qty.	Length	Thread	Head Width
	Black	8	4.0 mm	2.0 mm	4.0 mm

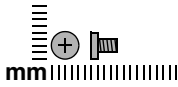
**Where used:**

3 screws that secure the keyboard to the computer (documented in [Section 5.11](#))



*Black Phillips PM2.0×4.0 Screw Locations*

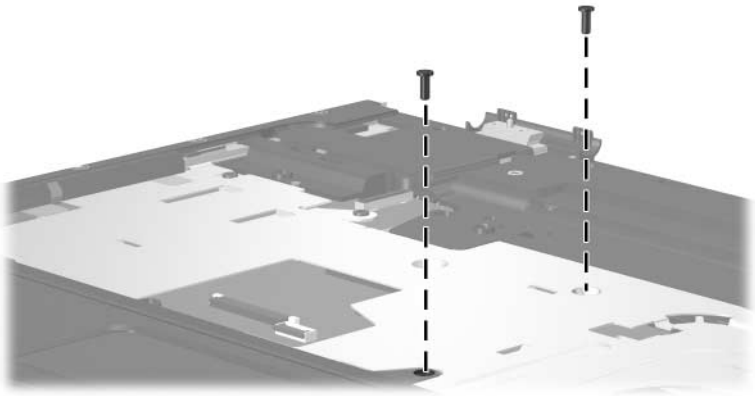
**Table C-7**  
**Black Phillips PM2.0×4.0 Screw (Continued)**



Color	Qty.	Length	Thread	Head Width
Black	8	4.0 mm	2.0 mm	4.0 mm

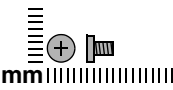
**Where used:**

2 screws that secure the base enclosure to the computer (documented in [Section 5.13](#))



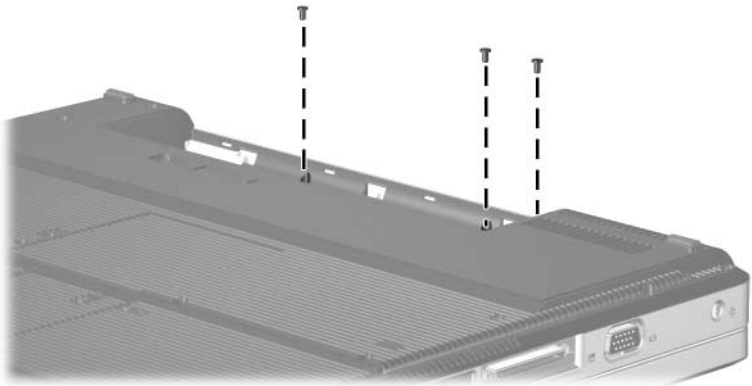
*Black Phillips PM2.0×4.0 Screw Locations*

**Table C-7**  
**Black Phillips PM2.0×4.0 Screw (Continued)**

	Color	Qty.	Length	Thread	Head Width
	Black	8	4.0 mm	2.0 mm	4.0 mm

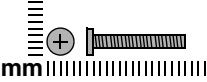
**Where used:**

3 screws that secure the base enclosure on the Compaq Presario M2000 (documented in [Section 5.13](#))



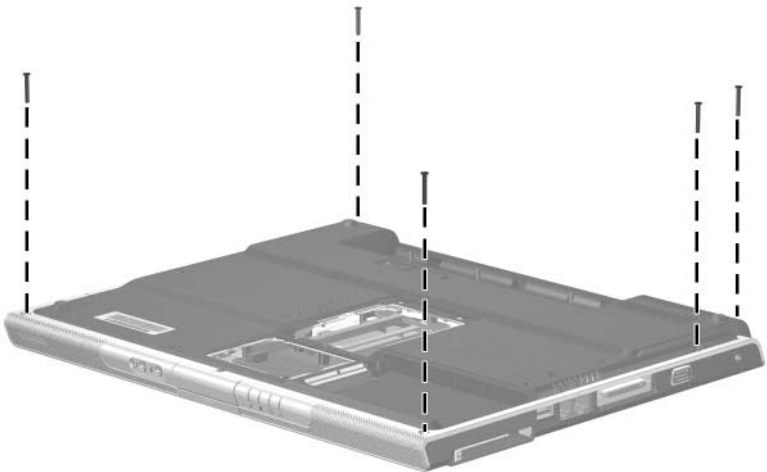
*Black Phillips PM2.0×4.0 Screw Locations*

**Table C-8**  
**Phillips PM2.0x16.0 Screw**

	Color	Qty.	Length	Thread	Head Width
	Black	5	16.0 mm	2.0 mm	4.0 mm

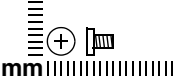
**Where used:**

5 screws that secure the base enclosure on the HP Pavilion ze2000 (documented in [Section 5.13](#))



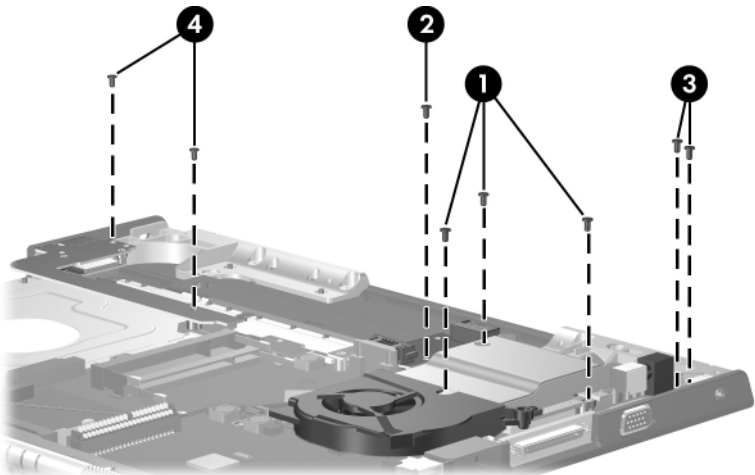
*Phillips PM2.0x16.0 Screw Locations*

**Table C-9**  
**Silver Phillips PM2.0×4.0 Screw**

	Color	Qty.	Length	Thread	Head Width
	Silver	16	4.0 mm	2.0 mm	4.0 mm

**Where used:**

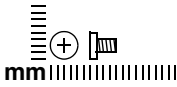
- ❶ Three screws that secure the heat sink on the HP Pavilion ze2000 (documented in [Section 5.15](#))
- ❷ One screw that secures the battery connector board to the computer (documented in [Section 5.18](#))
- ❸ Two screws that secure the power connector board to the computer (documented in [Section 5.19](#))
- ❹ Two screws that secure the USB/S-Video controller board to the computer (documented in [Section 5.20](#))



*Silver Phillips PM2.0×4.0 Screw Locations*

**Table C-9**

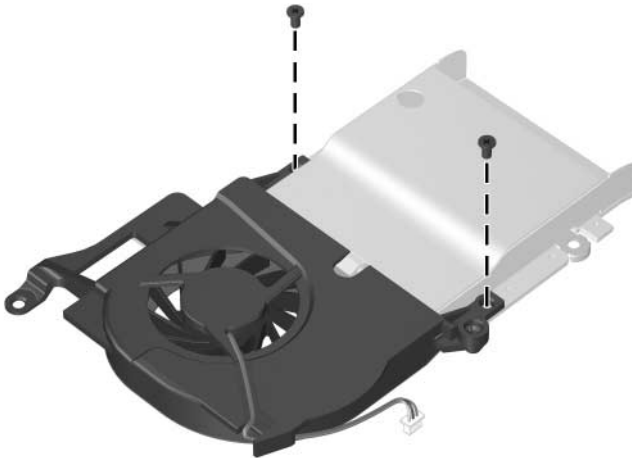
**Silver Phillips PM2.0×4.0 Screw (Continued)**



Color	Qty.	Length	Thread	Head Width
Silver	16	4.0 mm	2.0 mm	4.0 mm

**Where used:**

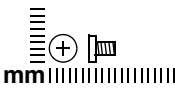
2 screws that secure the fan to the heat sink (documented in [Section 5.16](#))



*Silver Phillips PM2.0×4.0 Screw Locations*

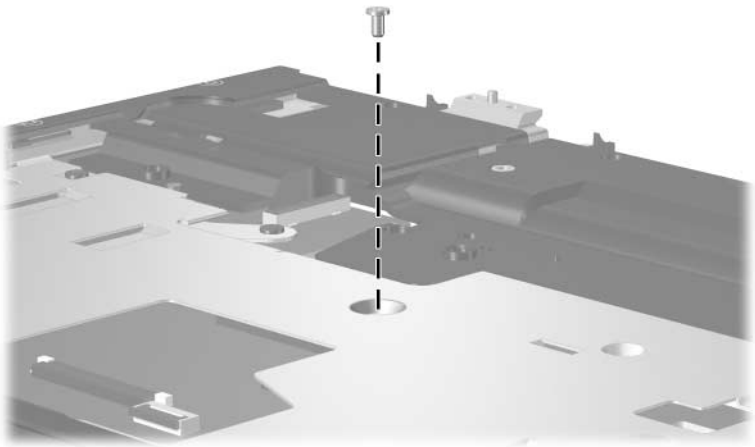
Table C-9

Silver Phillips PM2.0×4.0 Screw (*Continued*)

	Color	Qty.	Length	Thread	Head Width
	Silver	16	4.0 mm	2.0 mm	4.0 mm

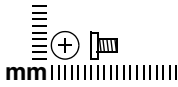
**Where used:**

One screw that secures the battery connector board to computer (documented in [Section 5.18](#))



Silver Phillips PM2.0×4.0 Screw Location

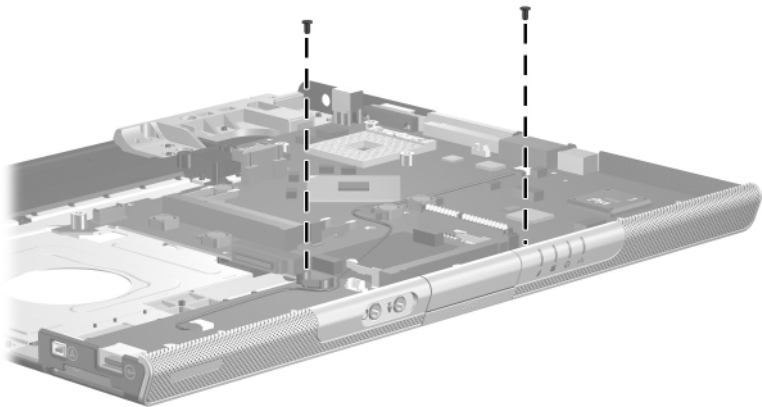
**Table C-9**  
**Silver Phillips PM2.0×4.0 Screw (Continued)**



Color	Qty.	Length	Thread	Head Width
Silver	16	4.0 mm	2.0 mm	4.0 mm

**Where used:**

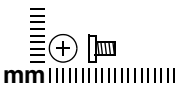
2 screws that secure the system board on the HP Pavilion ze2000 (documented in [Section 5.22](#))



*Silver Phillips PM2.0×4.0 Screw Locations*

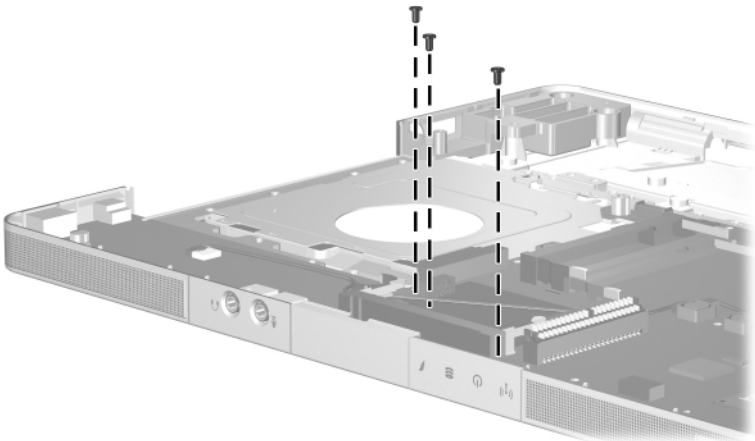


**Table C-9**  
**Silver Phillips PM2.0×4.0 Screw (Continued)**

	Color	Qty.	Length	Thread	Head Width
	Silver	16	4.0 mm	2.0 mm	4.0 mm


**Where used:**

3 screws that secure the system board on the Compaq Presario M2000 (documented in [Section 5.22](#))



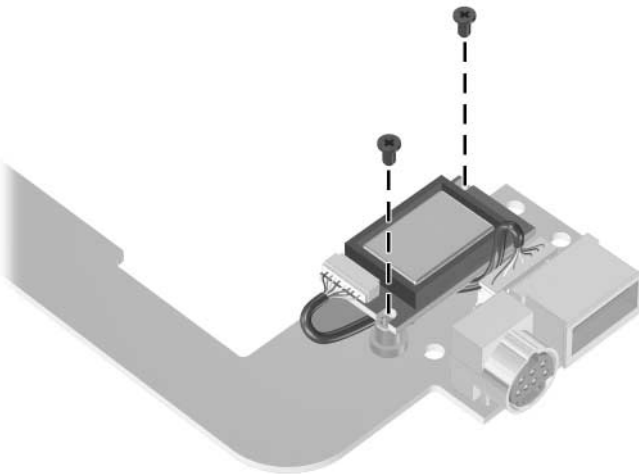
*Silver Phillips PM2.0×4.0 Screw Locations*

**Table C-10**  
**PhillipsPM1.5x3.5 Screw**

 mm	Color	Qty.	Length	Thread	Head Width
	Silver	2	3.5 mm	1.5 mm	3.0 mm

**Where used:**

2 screws that secure the Bluetooth board to the computer (documented in [Section 5.21](#))



*Phillips PM1.5x3.5 Screw Locations*

---

# Index

1394 port 1-11, 1-13  
6-in-1 Digital Media Reader  
  light 1-11, 1-13, 1-25, 1-27  
6-in-1 Digital Media Reader  
  slot 1-11, 1-13

## A

AC adapter, spare part number  
  3-17, 3-19  
arrow keys 1-21, 1-23  
audio troubleshooting 2-23  
audio-in jack  
  location 1-7, 1-9  
  pin assignments A-6  
audio-out jack  
  location 1-7, 1-9  
  pin assignments A-6

## B

base enclosure  
  removal 5-33  
  spare part numbers 3-9,  
    3-24, 5-33  
battery bay 1-18, 1-19, 1-28,  
  1-30  
battery connector board  
  removal 5-47  
  spare part number 3-9,  
    3-24, 5-47

battery light 1-7, 1-9  
battery pack  
  removal 5-5  
  spare part numbers 3-11,  
    3-18, 3-26, 5-5  
  specifications 6-5  
battery pack release latch  
  1-28, 1-30  
Bluetooth board  
  removal 5-54  
  spare part number 3-7,  
    3-21, 5-54  
bottom components 1-28,  
  1-30

## C

cables, service considerations  
  4-2  
**caps lock** key 1-21, 1-23  
caps lock light 1-24, 1-26  
components  
  bottom 1-28, 1-30  
  front 1-6, 1-8  
  keyboard 1-20, 1-22  
  left-side 1-14, 1-16  
  rear 1-16, 1-18, 1-19  
  right-side 1-10, 1-12  
  top 1-24, 1-26

- computer feet
  - illustrated 3–12
  - locations 5–10
- Computer Setup
  - Advanced Menu 2–5
  - File Menu 2–4
  - overview 2–1
  - Security Menu 2–4
  - Tools Menu 2–5
- Computer Setup defaults 2–3
- computer specifications 6–1
- connector pin assignments
  - audio-in A–6
  - audio-out A–6
  - external monitor A–4
  - headphone A–6
  - microphone A–6
  - modem A–5
  - monitor A–4
  - network A–2
  - RJ-11 A–5
  - RJ-45 A–2
  - S-Video-out A–3
  - Universal Serial Bus (USB) A–1
- connectors, service
  - considerations 4–2
- D**
- design overview 1–32
- disassembly sequence chart 5–3
- diskette drive
  - precautions 4–3
- diskette drive, OS loading problems 2–21
- display assembly
  - removal 5–28
  - spare part numbers 3–3, 3–21, 3–26, 5–28
  - specifications 6–3
- display hinge brackets, spare part numbers 3–3, 3–25, 5–28
- display release button 1–7, 1–9
- display switch 1–24, 1–26
- DMA specifications 6–13
- docking device,
  - troubleshooting 2–16
- drives, preventing damage 4–3
- DVD/CD-RW Combo Drive
  - OS loading problems 2–22
  - precautions 4–3
  - removal 5–11
  - spare part number 3–11, 3–15, 3–23, 5–11
  - specifications 6–6
- DVD±RW/R and CD-RW Combo Drive
  - OS loading problems 2–22
  - precautions 4–3
  - removal 5–11
  - spare part number 3–11, 3–15, 3–23, 3–25, 5–11
  - specifications 6–8
- DVD-ROM drive
  - OS loading problems 2–22
  - precautions 4–3
  - removal 5–11
  - spare part number 3–11, 3–15, 3–23, 5–11
  - specifications 6–10

**E**

- electrostatic discharge 4–4, 4–8
- entertainment cable, spare part number 3–16
- exhaust vents 1–18, 1–19, 1–29, 1–31
- expansion port 2 1–15, 1–17
- external monitor port
  - pin assignments A–4

**F**

- fan
  - removal 5–43
  - spare part number 3–7, 3–24, 5–43
- features 1–2
- feet
  - illustrated 3–12
  - locations 5–10
- flowcharts, troubleshooting
  - no audio 2–23, 2–24
  - no network/modem connection 2–28
  - no OS loading 2–17
  - no OS loading from diskette drive 2–21
  - no OS loading from hard drive 2–18, 2–19, 2–20
  - no OS loading from optical drive 2–22
  - no power 2–10, 2–12, 2–13
  - no video 2–14, 2–15
  - nonfunctioning device 2–25

- nonfunctioning docking device 2–16
- nonfunctioning keyboard 2–26
- nonfunctioning pointing device 2–27

- fn** key 1–21, 1–23
- front components 1–6, 1–8
- function keys 1–21, 1–23

**G**

- grounding equipment and methods 4–6

**H**

- hard drive
  - OS loading problems 2–18
  - precautions 4–3
  - removal 5–6
  - spare part numbers 3–9, 3–15, 3–23, 5–6
  - specifications 6–4
- hard drive bay 1–29, 1–31
- hard drive cover
  - illustrated 3–12
  - removal 5–7
- headphone jack
  - location 1–7, 1–9
  - pin assignments A–6
- headset, spare part number 3–16, 3–19
- heat sink
  - removal 5–41
  - spare part number 3–7, 3–24, 5–41
- hinge covers, spare part numbers 3–3, 3–25, 5–28

**I**

- I/O address specifications
  - 6–15
- IDE drive light 1–7, 1–9
- interrupt specifications 6–13

**K**

- keyboard
  - removal 5–24
  - spare part numbers 3–5, 3–18, 3–19, 3–21, 3–22, 3–23, 5–24
  - troubleshooting 2–26
- keyboard components 1–20, 1–22
- keyboard cover
  - removal 5–19
  - spare part numbers 3–3, 3–24, 5–19
- keypad keys 1–21, 1–23

**L**

- label area 1–29, 1–31
- LED board
  - removal 5–22
  - spare part numbers 3–3, 3–25, 5–22
- left-side components 1–14, 1–16
- Logo Kit, spare part numbers 3–16, 3–24

**M**

- mass storage devices, spare part numbers 3–14
- memory map specifications 6–18

- memory module
  - removal 5–13
  - spare part numbers 3–11, 3–23, 5–13
- memory module compartment 1–28, 1–30
- memory module compartment cover
  - illustrated 3–12
  - removal 5–14
- microphone jack
  - location 1–7, 1–9
  - pin assignments A–6
- Mini PCI communications module
  - removal 5–16
  - spare part numbers 3–11, 3–19, 3–20, 3–26, 5–16
- Mini PCI compartment 1–29, 1–31
- Mini PCI compartment cover
  - illustrated 3–12
  - removal 5–17
- Miscellaneous Plastics Kit
  - components 3–12
  - contents 3–13, 3–24
  - spare part numbers 3–9, 3–13, 3–24
- modem jack
  - location 1–15, 1–17
  - pin assignments A–5
- modem, troubleshooting 2–28
- monitor port
  - location 1–15, 1–17
  - pin assignments A–4

mouse, spare part number  
3-16, 3-18  
mute button 1-25, 1-27  
mute light 1-25, 1-27

## **N**

network jack  
location 1-15, 1-17  
pin assignments A-2  
network, troubleshooting 2-28  
nonfunctioning device,  
troubleshooting 2-16, 2-25  
**num lock** key 1-21, 1-23  
num lock light 1-25, 1-27

## **O**

optical drive  
location 1-11, 1-13, 1-29,  
1-31  
OS loading problems 2-22  
precautions 4-3  
removal 5-11  
spare part numbers 3-11,  
3-15, 3-23, 3-25  
specifications 6-6, 6-8,  
6-10, 6-12

## **P**

packing precautions 4-5  
PC Card assembly, spare part  
number 3-9, 3-25, 5-56  
PC Card eject buttons 1-15,  
1-17  
PC Card slots 1-15, 1-17  
plastic parts 4-2  
pointing device,  
troubleshooting 2-27

power button 1-25, 1-27  
power connector 1-15, 1-17  
power connector board  
removal 5-50  
spare part number 3-7,  
3-25, 5-50  
power cord  
set requirements B-2  
spare part numbers 3-17,  
3-20, 3-21  
power management features  
1-5  
power, troubleshooting 2-10  
power/standby light 1-7, 1-9  
processor  
removal 5-45  
spare part numbers 3-7,  
3-18, 3-20, 3-21, 3-25,  
3-26, 5-45

## **R**

rear components 1-16, 1-18,  
1-19  
removal/replacement  
preliminaries 4-1  
procedures 5-1  
right-side components 1-10,  
1-12  
RJ-11 jack  
location 1-15, 1-17  
pin assignments A-5  
RJ-45 jack  
location 1-15, 1-17  
pin assignments A-2

**S**

- Screw Kit, spare part number
  - 3-16, 3-24
- screw listing C-1
- security cable slot 1-11, 1-13
- serial number 3-1, 5-2
- service considerations 4-2
- speaker assembly
  - removal 5-39
  - spare part numbers 3-7, 3-24, 3-25, 5-39
- speakers 1-7, 1-9
- specifications
  - battery pack 6-5
  - computer 6-1
  - display 6-3
  - DMA 6-13
  - DVD/CD-RW Combo Drive 6-6
  - DVD±RW/R and CD-RW Combo Drive 6-8
  - DVD-ROM drive 6-10
  - hard drive 6-4
  - I/O addresses 6-15
  - interrupts 6-13
  - memory map 6-18
  - optical drive 6-12
- static shielding materials 4-8
- S-Video-out jack
  - location 1-11, 1-13
  - pin assignments A-3
- system board
  - removal 5-56
  - spare part numbers 3-9, 3-20, 3-21, 5-56
- system memory map 6-18

**T**

- tools required 4-1
- top components 1-24, 1-26
- top cover, spare part numbers
  - 3-7, 3-23, 3-25, 3-26
- TouchPad 1-24, 1-26
- TouchPad buttons 1-24, 1-26
- TouchPad horizontal scroll region 1-27
- TouchPad vertical scroll region 1-25, 1-27
- transporting precautions 4-5
- troubleshooting
  - audio 2-23
  - Computer Setup 2-2
  - docking device 2-16
  - flowcharts 2-7
  - keyboard 2-26
  - modem 2-28
  - network 2-28
  - nonfunctioning device
    - 2-16, 2-25
  - OS loading 2-17
  - overview 2-1
  - pointing device 2-27
  - power 2-10
  - video 2-14

**U**

- Universal Serial Bus (USB)
  - port
    - location 1-11, 1-13, 1-15, 1-17
    - pin assignments A-1
- USB digital drive, spare part number 3-15, 3-18



- USB travel mouse, spare part number 3–16, 3–18
- USB/S-Video controller board
  - removal 5–52
  - spare part numbers 3–7, 3–25, 5–52

**V**

- video troubleshooting 2–14
- volume button 1–25, 1–27

**W**

- Windows applications key
  - 1–21, 1–23
- Windows logo key 1–21, 1–23
- wireless button 1–25
- wireless light 1–7, 1–9, 1–27
- workstation precautions 4–6

**Y**

- Y-cable, spare part number 3–16

## Free Manuals Download Website

<http://myh66.com>

<http://usermanuals.us>

<http://www.somanuals.com>

<http://www.4manuals.cc>

<http://www.manual-lib.com>

<http://www.404manual.com>

<http://www.luxmanual.com>

<http://aubethermostatmanual.com>

Golf course search by state

<http://golfingnear.com>

Email search by domain

<http://emailbydomain.com>

Auto manuals search

<http://auto.somanuals.com>

TV manuals search

<http://tv.somanuals.com>