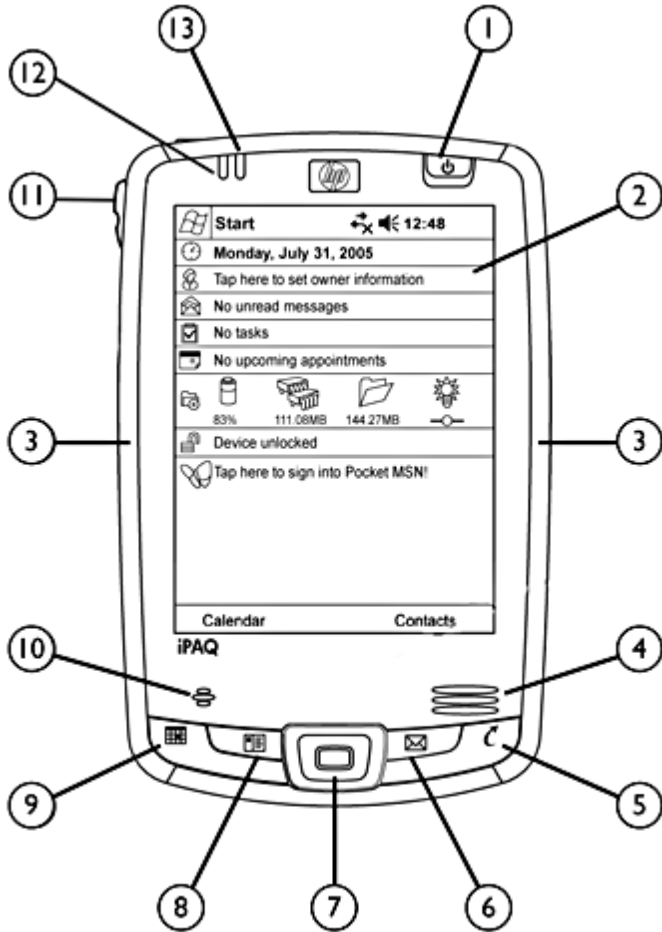
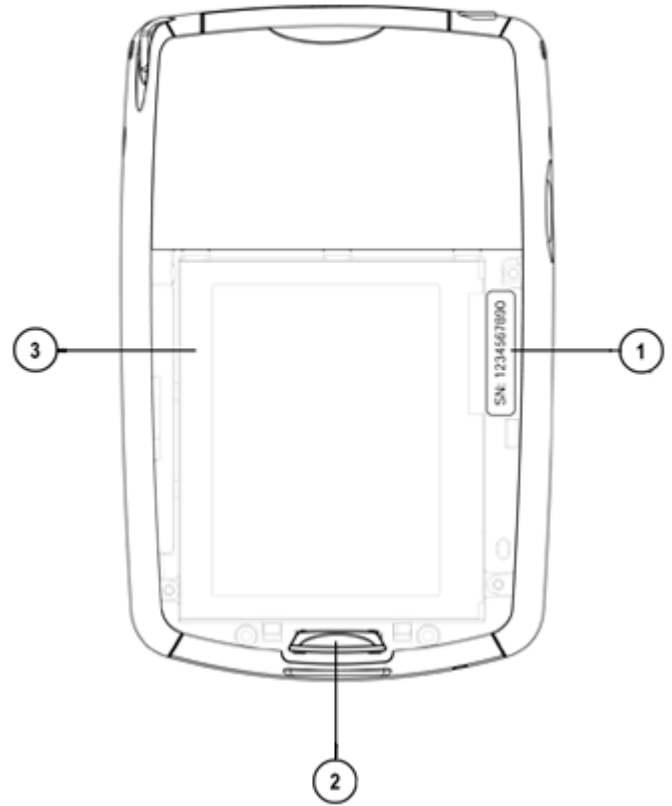


## Overview



Front Image

- |                            |                                |
|----------------------------|--------------------------------|
| 1. Power Button            | 8. Contacts Button             |
| 2. Color Display           | 9. Calendar Button             |
| 3. Rubber Side Grips       | 10. Microphone                 |
| 4. Speaker                 | 11. Voice Record Button (side) |
| 5. iTask Button            | 12. Wireless LED               |
| 6. Messaging Button        | 13. Charging/Notification LED  |
| 7. 5-way Navigation Button |                                |



Back Image

1. Serial number under battery door
2. Battery Door Cover Release
3. Battery Door Cover

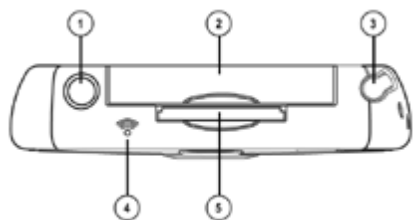
**NOTE:** This image shows the product with the battery door removed.

## Overview

### At A Glance

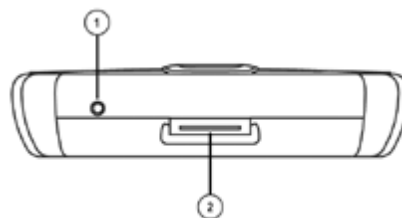
- Intel® PXA270 Processor 520 MHz
- Integrated WiFi (802.11b)<sup>1</sup>
- Integrated Bluetooth® wireless technology<sup>1</sup>
- Integrated Compact Flash type II (CF) and Secure Digital (SDIO) slots
- HP ProtectTools secured by Credant Technologies security application<sup>2</sup>
- 3.5" transfective TFT QVGA with 64K color LED backlight display, landscape and portrait display modes
- Microsoft® Windows Mobile™ 5.0 Software for Pocket PC , Premium Edition
- Removable/rechargeable 1440 mAh battery
- Integrated Serial IR
- Protective plastic flip cover
- Pocket versions of familiar applications like Microsoft® Outlook®, Word, Excel, and PowerPoint

**NOTE:** <sup>1</sup> A standard WLAN (Wi-Fi) infrastructure, other Bluetooth-enabled devices, separately purchased equipment, and a service contract with a wireless airtime provider may be required for applicable wireless communication. Wireless Internet use requires a separately purchased service contract. Check with wireless network service providers for availability and coverage in your area. Not all web content available.



Top Image

1. Headphone/Headset Jack
2. Compact Flash (CD) Expansion Slot
3. Stylus
4. Serial IR (Infrared) Port
5. Secure Digital (SDIO) Expansion Slot



Bottom Image

1. Reset Button
2. Charging/ActiveSync Connector

## Standard Features

### Models

iPAQ Pocket PC hx2490b – 192 MB ROM, 64 MB SDRAM, WiFi (802.11b), Bluetooth, and Serial IR

FA675B#ABA – US Commercial, English

---

iPAQ Pocket PC hx2495b – 192 MB ROM, 64 MB SDRAM, WiFi (802.11b), Bluetooth and Serial IR

FA674B#ABA – US Retail, English

---

<b>Processor</b>	Intel® PXA270 Processor 520 MHz <b>NOTE:</b> Intel's processor numbering is not a measurement of higher performance.
<b>Memory</b>	<b>User Available Memory</b> 256 MB total memory (192 MB ROM and 64 MB SDRAM) Up to 128 MB user available persistent storage memory
<b>Display</b>	<b>Type</b> Transflective TFT QVGA color with LED backlight with power save mode <b>Modes</b> Portrait and landscape <b>Number of Colors</b> 64K color (65,536 colors) 16-bit <b>Touch Screen</b> Yes <b>Resolution (W x H)</b> 240 x 320 pixels <b>Dot Pitch</b> 0.24 mm <b>Viewable Image Size</b> 3.5 in (89 mm)
<b>Hardware Buttons/ Reset Buttons</b>	Power, soft reset, 5-way navigation, voice record, calendar, contacts, messaging, and iTask buttons. (The last 5 buttons are re-programmable.)
<b>Stylus</b>	One – Included in the box
<b>Audio</b>	Integrated microphone, speaker and one 3.5 mm stereo headphone jack
<b>Indicators</b>	<b>LED 1 – Power</b> Solid amber LED – battery in unit fully charged Flashing amber LED – battery in unit charging Flashing green – event alarm/notification <b>LED 2 – Wireless</b> Flashing blue LED – wireless radio enabled
<b>Cradle Interfaces</b>	<b>Connector</b> 1 – 22 pin <b>DC Power jack connector</b> 1 for AC/DC Adapter connection

## Standard Features

**Other interfaces** IrDA (SIR)  
 USB 2.0 Client – supported via HP standard 22-pin cradle interface  
 Serial RS232 – supported via HP standard 22-pin cable interface (cable must be purchased separately)  
**NOTE:** Some HP authorized options may not be supported. See <http://www.hp.com/go/ipaqaccessories>.

**SD Slot** Support 1-bit SDIO and 4-bit SD/MMC type memory standard

**CF Slot** 1 Type II

**Power Supply**

**Battery** Removable/rechargeable 1440 mAh Lithium-Ion (user changeable).  
 Optional extended 2880 mAh Lithium-Ion battery available for purchase separately (<http://www.hp.com/go/ipaqaccessories>).

**AC Power** AC Input: 100~240 Vac, 50/60 Hz, AC Input current: 0.3 Aac max  
 Output Voltage: 5Vdc (typical), Output Current: 2A (typical)

**NOTE:** Battery run time varies based on the usage pattern of an individual user and the configuration of the handheld. Use of internal wireless capabilities and backlight will significantly decrease battery run time.

**AC Adapter**

**Dimensions (H x W x D)** 3 x 1.9 x 1.8 in (76 x 48 x 44 mm – including prongs), (may vary by model)

**Cord Length (approx.)** 6 ft (1.83 m)

**Power Supply Ratings**

Voltage Range	100 to 240 V Switching
Input Current	0.3 Aac
Input Frequency	50 to 60 Hz
Output Voltage	5 VDC
Output Current	2 Amp

**System Unit**

**Dimensions (H x W x D)** 4.71 x 3.01 x .65 in (119.4 x 76.6 x 16.3mm)

**Weight** 5.8 oz (164.4 g)

**Operating Temperature** 32° to 104° F (0° to 40° C)

**Storage Temperature** -4° to 140° F (-20° to 60° C)

**Operating Humidity** 90% RH

**Regulatory Marks**

<b>Electrical</b>	FCC Class B, UL or CSA NRTL
<b>Safety</b>	C-UL, NOM

**Design Features** 4 programmable application quick-launch buttons, 5-way navigation button, touch-sensitive display for stylus or fingertip, voice record button, microphone and speaker, rubber sides for comfortable grip

## Standard Features

**Operating System** Microsoft® Windows Mobile™ 5.0 for Pocket PC, Premium Edition  
 Mobile versions of Microsoft software are included (Outlook®, Word®, Excel®, PowerPoint®, Windows Media® Player, and Internet Explorer®)

**Operating System Applications** Powered by Microsoft® Windows Mobile™ 5.0 Software for Pocket PC, Premium Edition; Calendar, Contacts, Messaging (with Spell Checker for email), Tasks, Voice Recorder, Notes, Word Mobile (with Spellchecker), Excel Mobile, PowerPoint Mobile Internet Explorer Mobile, Windows Media Player 10 Mobile, Calculator, Solitaire, Jawbreaker, File Explorer, Terminal Services Client, Beam, Clock, Align Screen, Memory, Volume.

**In the box** HP iPAQ hx2490 Pocket PC, lithium-Ion 1440 mAh removable/rechargeable battery, AC adapter, charger adapter, USB desktop synchronization cradle, stylus, protective plastic flip cover, HP iPAQ Product Information Guide and HP iPAQ Getting Started disc.

**Additional Software and links** Microsoft ActiveSync 4.1, Microsoft Reader eBooks, and links to Microsoft websites for additional downloadable applications (**NOTE: some programs may require purchase of additional desktop software to utilize Pocket PC versions**).

**Service and Support** One-year parts and labor in most regions; 90 days technical support for software in most regions. Additional offers may vary by region.

- HP Exclusive Applications**
- HP ProtectTools secured by Credant Technologies: help secure your device and your data<sup>2</sup>
  - Bluetooth Phone Manager: connect to a Bluetooth-enabled phone and browse the Internet<sup>1,3,4</sup>
  - Bluetooth Manager: manage your Bluetooth connections and settings
  - iPAQ Wireless: manage wireless connections
  - iTask: launch and switch between tasks and application
  - HP Image Zone for Pocket PC: view images and create slide shows
  - Utilities: Self Test, iPAQ Audio, Power Status, Certificate Enroller

Getting Started Disc from HP	Applications	Full Versions	Trial Versions
		ActiveSync 4.1	Audible Player
		Adobe Reader for PC	
		BVRP Live Update	
		Funk Odyssey® Client for Windows Mobile™	
		WorldMate (NA Retail only)	
		Windows Media Player 10	
	<b>CD Links</b>	Handango	

**Additional Documentation**

Important Safety Information on PDF, and Additional Product Information on PDF

**NOTE:** Programs may vary based on model. Some programs are accessed through CD links to download web sites.

## Standard Features

### WiFi (802.11b) Specifications<sup>1,5</sup>

<b>Technology</b>	High-speed wireless access to the Internet, email and corporate data
<b>RF Network Standard</b>	IEEE 802 Part 11b (802.11b)
<b>Frequency Band</b>	2.4000 to 2.4835 GHz 2.4465 to 2.4835 GHz (France) 2.4000 to 2.497 GHz (Japan)
<b>Antenna type</b>	Embedded Antenna
<b>Security</b>	WEP 64/128-bit compliant to IEEE 802.11 Compliant to 802.1X (EAP-TLS, PEAP) LEAP, WPA
<b>Network Architecture Models</b>	Ad-hoc (Peer to Peer) Infrastructure (Access Points Required)
<b>Modulation Technique</b>	Direct Sequence Spread Spectrum
<b>Modulation Schemes</b>	DBPSK, DQPSK, CCK
<b>Receiver Sensitivity – Packet Error Rate (8E-2)</b>	11 Mbps: <-80 dBm 5.5 Mbps: <-82 dBm 2 Mbps: <-86 dBm 1 Mbps: <-89 dBm
<b>Maximum Receive Level</b>	-10dBm (1/2/5.5/11 Mbps)
<b>Output Power</b>	15 dBm
<b>Power Management</b>	Radio On/Off control through iPAQ wireless Power Save mode available in Power Settings
<b>Power Consumption</b>	Transfer mode: < 300 mA, average Receive mode: < 200 mA, average
<b>Power Saving Option</b>	802.11 Compliant Power Saving, idle mode 20 mA
<b>Media Access Protocol</b>	CSMA/CA (Collision Avoidance) with ACK
<b>Protocols Supported</b>	TCP/IP IPX/SPX UDP
<b>Operating Distance</b>	Up to 1000 feet – Open sight
<b>Certifications</b>	All necessary regulatory approvals for countries we support including: WECA Wi-Fi approval FCC (47 CFR) Part 15C, Section 15.247&15.249 ETS 300 328, ETS 301 489-6 Low Voltage Directive IEC950 UL, CSA, and CE Mark

#### NOTES:

<sup>1</sup> A standard WLAN (Wi-Fi) infrastructure, other Bluetooth-enabled devices, separately purchased equipment, and a service contract with a wireless airtime provider may be required for applicable wireless communication. Wireless Internet use requires a separately purchased service contract. Check with wireless network service providers for availability and coverage in your area. Not all web content available.

<sup>5</sup> Wireless access point required and is not included. Availability of public wireless access points limited. Wireless Internet use may require separately purchased Internet service contract.

## Standard Features

### Specifications<sup>1</sup>

<b>Bluetooth specification</b>	Bluetooth devices 1.2 compliant (2.4-GHz Industrial Scientific Medical Band)
<b>System interface</b>	High-speed UART processor interface
<b>User Interface</b>	Bluetooth Manager
<b>Device type</b>	Class II device; up to 4 dBm transmit, typical 10 meter range
<b>Power</b>	3.3V 5% Peak current – typical TX current at approximately 30 mA – typical RX current at approximately 50 mA
<b>Receiver sensitivity</b>	-83 dBm
<b>Regulatory standards</b>	R&TT#-EN 300 328 and EN 300 826, UL 1950, CB Safety Scheme inclusive of EN 60950 and IEC 950, FCC Part 15 subpart C, Canadian, CE
<b>Profile Support</b>	General Access Profile Service Discovery Application Profile Serial Port Profile Generic Object Exchange Profile File Transfer Profile Dial-Up Networking Profile LAN Access Profile Object Push Profile Personal Area Networking Profile Basic Printing Profile Hard Copy Replacement Profile (printing) Headset Support Profile Human Interface Device Profile Advanced Audio Distribution Profile Audio Video Remote Control Profile Hands Free Profile Basic Imaging Profile

### Usage Models

#### **Service Discovery**

Determine what Bluetooth devices are within range and support authorization

#### **File Transfer**

File and directory browsing and navigation on another Bluetooth device.

File copying

Object manipulation – including add, delete, create new folders etc.

#### **Serial Port**

Synchronization between PDAs and PCs

#### **Dial Up Networking**

Wireless link to WAN thru Bluetooth enabled cell phone<sup>1,3,4</sup>

Agnostic to WAN technology

Send/receive SMS messages

#### **LAN Access**

Wireless link to Corporate LAN using Bluetooth and appropriate Bluetooth access point<sup>1</sup>

Corporate email, network neighborhood, access to LAN applications, file transfer, ftp, Internet browsing, etc, using TCP/IP<sup>1</sup>

Access the Internet by connecting to your desktop or notebook over Bluetooth and using its network connection<sup>1</sup>

#### **Generic Object Exchange and Object Push**

Exchange business cards, tasks, documents, appointments and more<sup>1</sup>

## Standard Features

### Personal Area Networking

Collaborate, chat, play games, exchange data<sup>1</sup>

Adhoc peer to peer networking<sup>1</sup>

### Basic Printing and Hard Copy Replacement Profiles

Print to any HP Bluetooth enabled printer without the need for cables or specific print drivers

### Certifications

All necessary regulatory approvals for countries supported including:  
Bluetooth logo (FCC (47 CFR) Part 15C, Section 15.247&15.249 ETS 300 328, ETS 301 489-1/17 Low Voltage Directive IEC950 UL and CE Mark

### NOTE:

<sup>1</sup> A standard WLAN (Wi-Fi) infrastructure, other Bluetooth-enabled devices, separately purchased equipment, and a service contract with a wireless airtime provider may be required for applicable wireless communication. Wireless Internet use requires a separately purchased service contract. Check with wireless network service providers for availability and coverage in your area. Not all web content available.



## Options

**NOTE:** Optional accessories are available at additional cost.

<b>Memory/Storage</b>	128 MB SD Memory Card	FA135A#AC3
	256 MB SD Memory Card	FA136A#AC3
	512 MB SD Memory Card	FA184A#AC3
	1 GB SD Memory Card	FA283A#AC3
	128 MB miniSD Memory Card*	FA602A#AC3
	256 MB miniSD Memory Card*	FA603A#AC3
	512 MB miniSD Memory Card*	FA604A#AC3
* Models with full-sized SD slots will require the use of an SD adapter (included).		
<b>Power</b>	1440 mAh Lithium Ion Standard Battery	FA285x#AC3
	2880 mAh Lithium Ion Extended Battery	FA286x#AC3
	Automobile Adapter	FA125A#AC3
		Or FA690B#AC3
	Charger Adapter AC Adapter (WW)	FA133A#AC3 FA372x#AC3
<b>Synchronization</b>	Desktop Cradle	FA260B#AC3
	AutoSync Cable (USB and Serial)	FA122A#AC3
<b>Input Devices</b>	Stylus Three-pack	FA261A#AC3
	Foldable Keyboard	FA118A#ABA
	Thumb keyboard	FA302A#AC3
<b>Navigation</b>	iPAQ Navigation System – (U.S. only)	FA196A#ABA
<b>Headphones</b>	Bluetooth Stereo Headphones	FA303A#ABA
<b>Cases</b>	Premier Leather Case	FA662A#AC3
	iPAQ Rugged Case	FA288A#AC3
	Nylon Slim Case	FA161A#AC3
	Leather Belt Case	FA160A#AC3
	Premier Leather Belt Case	FA350A#AC3
	Custom Cases: to view and order go to: <a href="http://www.casesonline.com">http://www.casesonline.com</a> .	

## Options

### NOTES:

<sup>1</sup> A standard WLAN (Wi-Fi) infrastructure, other Bluetooth-enabled devices, separately purchased equipment, and a service contract with a wireless airtime provider may be required for applicable wireless communication. Wireless Internet use requires a separately purchased service contract. Check with wireless network service providers for availability and coverage in your area. Not all web content available.

<sup>2</sup> User must have HP ProtectTools features enabled.

<sup>3</sup> Requires Bluetooth enabled mobile, separately purchased wireless carrier/Internet service plan(s) and supporting IT infrastructure.

<sup>4</sup> Telephone service requires separately purchased contract with a telephone service provider with coverage in your service area.

<sup>5</sup> Wireless access point required and is not included. Availability of public wireless access points limited. Wireless Internet use may require separately purchased Internet service contract.

## HP iPAQ Pocket PC features Windows Mobile™ software

For more information on HP iPAQ Pocket PC, visit our website at <http://www.hp.com/go/iPAQ>

©Copyright 2007 Hewlett-Packard Development Company, L.P. The information contained herein is subject to change without notice. The only warranties for HP products and services are set forth in the express warranty statements accompanying such products and services. Nothing herein should be construed as constituting an additional warranty. HP shall not be liable for technical or editorial errors or omissions contained herein. Microsoft, Windows, and the Windows Logo are U.S. registered trademarks of Microsoft Corporation. Intel and the Intel inside logo are trademarks or registered trademarks of Intel Corporation or its subsidiaries in the U.S. and other countries.

## Free Manuals Download Website

<http://myh66.com>

<http://usermanuals.us>

<http://www.somanuals.com>

<http://www.4manuals.cc>

<http://www.manual-lib.com>

<http://www.404manual.com>

<http://www.luxmanual.com>

<http://aubethermostatmanual.com>

Golf course search by state

<http://golfingnear.com>

Email search by domain

<http://emailbydomain.com>

Auto manuals search

<http://auto.somanuals.com>

TV manuals search

<http://tv.somanuals.com>