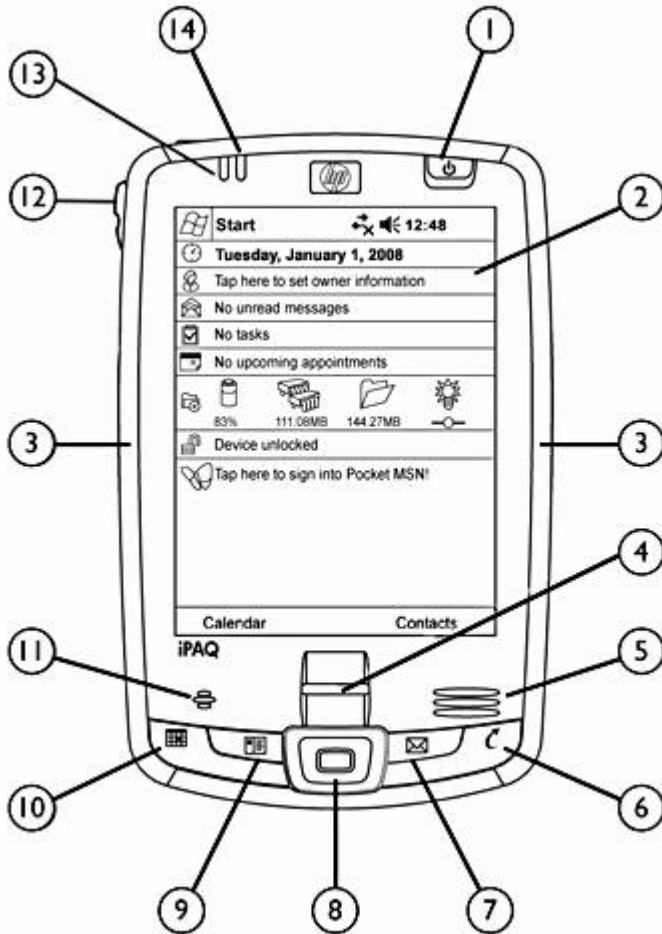
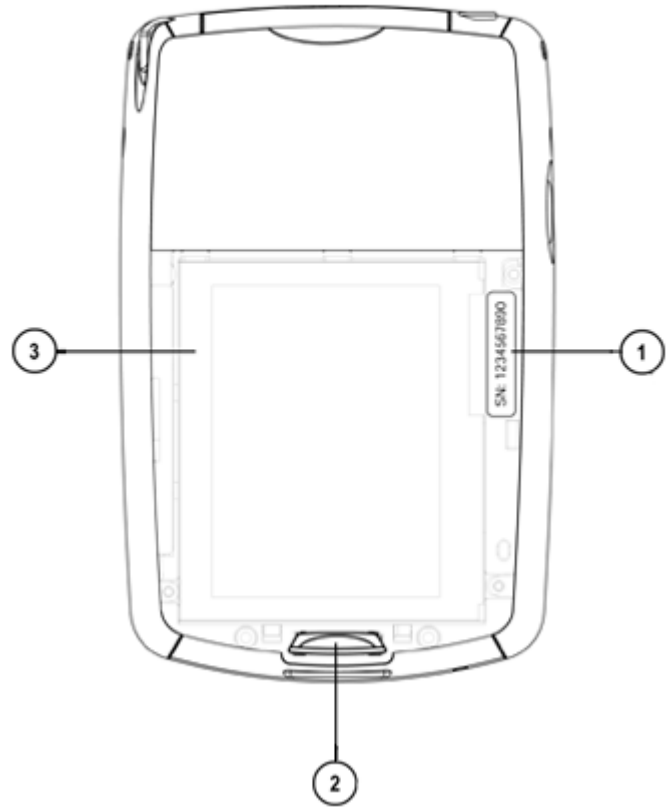


## Overview



Front Image

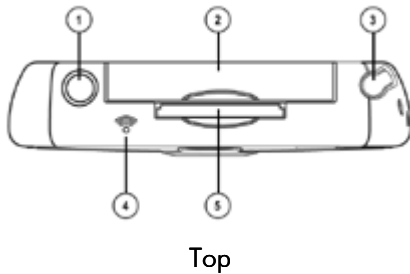
- |                                 |                                |
|---------------------------------|--------------------------------|
| 1. Power Button                 | 8. 5-way Navigation Button     |
| 2. Color Display                | 9. Contacts Button             |
| 3. Rubber Side Grips            | 10. Calendar Button            |
| 4. Biometric Fingerprint Reader | 11. Microphone                 |
| 5. Speaker                      | 12. Voice Record Button (side) |
| 6. iTask Button                 | 13. Wireless LED               |
| 7. Messaging Button             | 14. Charging/Notification LED  |



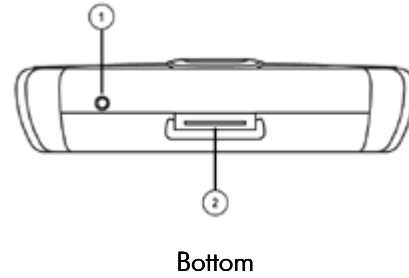
Back (with battery door removed)

- |                                     |
|-------------------------------------|
| 1. Serial number under battery door |
| 2. Battery Door Cover Release       |
| 3. Battery Door Cover               |

## Overview



1. Headphone/Headset Jack
2. Compact Flash (CF) Expansion Slot
3. Stylus
4. Serial IR (Infrared) Port
5. Secure Digital (SDIO) Expansion Slot



1. Reset Button
2. Charging/ActiveSync Connector

## At A Glance

- Marvell PXA270 Processor 624 MHz
- 512MB flash ROM, 64 MB SDRAM (up to 512 MB user available memory)
- Integrated biometric fingerprint reader
- Integrated Wi-Fi (802.11b)<sup>1</sup>
- Integrated Bluetooth® wireless technology<sup>1</sup>
- Integrated Compact Flash type II (CF) and Secure Digital (SDIO) slots
- HP ProtectTools secured by Credant Technologies security application<sup>2</sup>
- 3.5" transfective TFT QVGA with 64K color LED backlight display, landscape and portrait display modes
- Windows Mobile® 5.0 Software for Pocket PC, Premium Edition
- Removable/rechargeable 1700 mAh battery
- Integrated Serial IR
- Protective plastic flip cover
- Windows Mobile Office Outlook®, Word, Excel, and PowerPoint

### NOTES:

<sup>1</sup> A standard WLAN (Wi-Fi) infrastructure, other Bluetooth-enabled devices, separately purchased equipment, and a service contract with a wireless airtime provider may be required for applicable wireless communication. Wireless Internet use requires a separately purchased service contract. Check with wireless network service providers for availability and coverage in your area. Not all web content available.

<sup>2</sup> User must have HP ProtectTools features enabled.

## Standard Features

### Models

iPAQ Pocket PC hx2790c – 512MB flash ROM, 64 MB SDRAM, Wi-Fi (802.11b), Bluetooth, Serial IR and Biometrics security  
FB103AA #ABA – US Commercial, English

---

<b>Processor</b>	Marvell PXA270 Processor 624 MHz
	<b>NOTE:</b> Processor numbering is not a measurement of higher performance.

---

<b>Memory</b>	576 MB total memory (512 MB ROM and 64 MB SDRAM) Up to 512 MB user available persistent storage memory
---------------	---

---

<b>Display</b>	<b>Type</b> Transflective TFT QVGA color with LED backlight with power save mode
	<b>Modes</b> Portrait and landscape
	<b>Number of Colors</b> 64K color (65,536 colors) 16-bit
	<b>Touch Screen</b> Yes
	<b>Resolution (W x H)</b> 240 x 320 pixels
	<b>Dot Pitch</b> 0.24 mm
	<b>Viewable Image Size</b> 3.5 in (89 mm)

---

<b>Hardware Buttons/ Reset Buttons</b>	Power, soft reset, 5-way navigation, voice record, calendar, contacts, messaging, and iTask buttons. (The last 5 buttons are re-programmable.)
--	---

---

<b>Stylus</b>	One – Included in the box
---------------	---------------------------

---

<b>Audio</b>	Integrated microphone, speaker and one 3.5 mm stereo headphone jack
--------------	---

---

<b>Indicators</b>	<b>LED 1 – Power</b> Solid amber LED – battery in unit fully charged Flashing amber LED – battery in unit charging Flashing green – event alarm/notification
	<b>LED 2 – Wireless</b> Flashing blue LED – wireless radio enabled

---

<b>Cradle Interfaces</b>	<b>Connector</b> 1 – 22 pin
	<b>DC Power jack connector</b> 1 for AC/DC Adapter connection

---

## Standard Features

<b>Other Interfaces</b>	<p>IrDA (SIR)</p> <p>USB 2.0 Client – supported via HP standard 22 pin cradle interface</p> <p>Serial RS232 – supported via HP standard 22 pin cable interface (cable must be purchased separately)</p> <p><b>NOTE:</b> Some HP authorized options may not be supported. See <a href="http://www.hp.com/go/ipaqaccessories">http://www.hp.com/go/ipaqaccessories</a>.</p>										
<hr/>											
<b>SD Slot</b>	Support 1-bit SDIO and 4-bit SD/MMC type memory standard										
<hr/>											
<b>CF Slot</b>	1 Type II										
<hr/>											
<b>Power Supply</b>	<p><b>Battery</b>                      Removable/rechargeable 1700 mAh Lithium-Ion (user changeable). Optional extended 2880 mAh Lithium-Ion battery available for purchase (<a href="http://www.hp.com/go/ipaqaccessories">http://www.hp.com/go/ipaqaccessories</a>).</p> <p><b>AC Power</b>                      AC Input: 100~240 Vac, 50/60 Hz, AC Input current: 0.3 Aac max Output Voltage: 5Vdc (typical), Output Current: 2A (typical)</p> <p><b>NOTE:</b> Battery run time varies based on the usage pattern of an individual user and the configuration of the handheld. Use of internal wireless capabilities and backlight will significantly decrease battery run time.</p>										
<hr/>											
<b>AC Adapter</b>	<p><b>Dimensions (H x W x D)</b>      3 x 1.9 x 1.8 in (76 x 48 x 44 mm – including prongs), (may vary by model)</p> <p><b>Cord Length (approx.)</b>        6 ft (1.83 m)</p> <p><b>Power Supply Ratings</b></p> <table border="0" style="margin-left: 20px;"> <tr> <td>Voltage Range</td> <td>100 to 240 V Switching</td> </tr> <tr> <td>Input Current</td> <td>0.3 Aac</td> </tr> <tr> <td>Input Frequency</td> <td>50 to 60 Hz</td> </tr> <tr> <td>Output Voltage</td> <td>5 VDC</td> </tr> <tr> <td>Output Current</td> <td>2 Amp</td> </tr> </table>	Voltage Range	100 to 240 V Switching	Input Current	0.3 Aac	Input Frequency	50 to 60 Hz	Output Voltage	5 VDC	Output Current	2 Amp
Voltage Range	100 to 240 V Switching										
Input Current	0.3 Aac										
Input Frequency	50 to 60 Hz										
Output Voltage	5 VDC										
Output Current	2 Amp										
<hr/>											
<b>System Unit</b>	<p><b>Dimensions (H x W x D)</b>      4.71 x 3.01 x .65 in (119.4 x 76.6 x 16.3 mm)</p> <p><b>Weight</b>                              5.8 oz (164.4 g)</p> <p><b>Operating Temperature</b>        32° to 104° F (0° to 40° C)</p> <p><b>Storage Temperature</b>          -4° to 140° F (-20° to 60° C)</p> <p><b>Operating Humidity</b>            90% RH</p> <p><b>Regulatory Marks</b></p> <table border="0" style="margin-left: 20px;"> <tr> <td><b>Electrical</b></td> <td>FCC Class B, UL or CSA NRTL</td> </tr> <tr> <td><b>Safety</b></td> <td>C-UL, NOM</td> </tr> </table>	<b>Electrical</b>	FCC Class B, UL or CSA NRTL	<b>Safety</b>	C-UL, NOM						
<b>Electrical</b>	FCC Class B, UL or CSA NRTL										
<b>Safety</b>	C-UL, NOM										
<hr/>											
<b>Design Features</b>	4 programmable application quick-launch buttons, 5-way navigation button, touch-sensitive display for stylus or fingertip, voice record button, microphone and speaker, biometric fingerprint reader, rubber sides for comfortable grip										
<hr/>											

### Standard Features

<b>Operating System</b>	Windows Mobile® 5.0 for Pocket PC, Premium Edition Windows Mobile Office Outlook®, Word®, Excel®, PowerPoint®, Media® Player, and Internet Explorer®)
<b>Operating System Applications</b>	Calendar, Contacts, Messaging (with Spell Checker for email), Tasks, Voice Recorder, Notes, Word Mobile (with Spellchecker), Excel Mobile, PowerPoint Mobile Internet Explorer Mobile, Windows Media Player 10 Mobile, Calculator, Solitaire, Jawbreaker, File Explorer, Terminal Services Client, Beam, Clock, Align Screen, Memory, Volume.
<b>In the box</b>	HP iPAQ hx2790c Pocket PC, lithium-Ion 1700 mAh removable/rechargeable battery, AC adapter, charger adapter USB desktop synchronization cradle, stylus, protective plastic flip cover, HP iPAQ Product Information Guide and HP iPAQ Getting Started disc.
<b>Service and Support</b>	One-year parts and labor; 90 days technical support for software.
<b>HP Exclusive Applications</b>	<ul style="list-style-type: none"><li>● HP ProtectTools secured by Credant Technologies: help secure your device and your data<sup>2</sup></li><li>● Bluetooth Phone Manager: connect to a Bluetooth enabled phone and browse the Internet<sup>1,3,4</sup></li><li>● Bluetooth Manager: manage your Bluetooth connections and settings</li><li>● iPAQ Wireless: manage your wireless connections</li><li>● iTask: launch and switch between tasks and applications</li><li>● HP Image Zone for Pocket PC: view images and create slide shows</li><li>● Utilities: Self Test, iPAQ Audio, Power Status, Certificate Enroller</li></ul>

**NOTES:**

<sup>1</sup>A standard WLAN (Wi-Fi) infrastructure, other Bluetooth-enabled devices, separately purchased equipment, and a service contract with a wireless airtime provider may be required for applicable wireless communication. Wireless Internet use requires a separately purchased service contract. Check with wireless network service providers for availability and coverage in your area. Not all web content available.

<sup>2</sup>User must have HP ProtectTools features enabled.

<sup>3</sup>Requires Bluetooth enabled mobile, separately purchased wireless carrier/Internet service plan(s) and supporting IT infrastructure.

<sup>4</sup>Telephone service requires separately purchased contract with a telephone service provider with coverage in your service area.

## Standard Features

Getting Started Disc from HP

Applications

Full Versions

ActiveSync 4.5  
 Adobe Reader for PC  
 BVRP Live Update  
 Funk Odyssey® Client for Windows Mobile™  
 Windows Media Player 10

Trial Versions

Audible Player

CD Links

Handango, Microsoft

### Additional Documentation

Important Safety Information on PDF, and Additional Product Information on PDF

**NOTE:** Programs may vary based on model. Some programs are accessed through CD links to download web sites.

Wi-Fi (802.11b) Specifications<sup>1,5</sup>

Technology

High-speed wireless access to the Internet, email and corporate data

RF Network Standard

IEEE 802 Part 11b (802.11b)

Frequency Band

2.4000 to 2.4835 GHz  
 2.4465 to 2.4835 GHz (France)  
 2.4000 to 2.497 GHz (Japan)

Antenna Type

Embedded Antenna

Security

WEP 64/128-bit compliant to IEEE 802.11  
 Compliant to 802.1X (EAP-TLS, PEAP)  
 LEAP, WPA

Network Architecture Models

Ad-hoc (Peer to Peer)  
 Infrastructure (Access Points Required)

Modulation Technique

Direct Sequence Spread Spectrum

Modulation Schemes

DBPSK, DQPSK, CCK

Receiver Sensitivity – Packet Error Rate (8E-2)

11 Mbps: <-80 dBm  
 5.5 Mbps: <-82 dBm  
 2 Mbps: <-86 dBm  
 1 Mbps: <-89 dBm

Maximum Receive Level

-10dBm (1/2/5.5/11 Mbps)

Output Power

15 dBm

Power Management

Radio On/Off control through iPAQ wireless  
 Power Save mode available in Power Settings

Power Consumption

Transfer mode: < 300 mA, average  
 Receive mode: < 200 mA, average

Power Saving Option

802.11 Compliant Power Saving, idle mode 20 mA

Media Access Protocol

CSMA/CA (Collision Avoidance) with ACK

Protocols Supported

TCP/IP  
 IPX/SPX  
 UDP

Operating Distance

Up to 1000 feet – Open sight

Certifications

All necessary regulatory approvals for countries we support including:

## Standard Features

WECA Wi-Fi approval  
FCC (47 CFR) Part 15C, Section 15.247&15.249  
ETS 300 328, ETS xxx 489-6  
Low Voltage Directive IEC950  
UL, CSA, and CE Mark

### NOTES:

<sup>1</sup> A standard WLAN (Wi-Fi) infrastructure, other Bluetooth-enabled devices, separately purchased equipment, and a service contract with a wireless airtime provider may be required for applicable wireless communication. Wireless Internet use requires a separately purchased service contract. Check with wireless network service providers for availability and coverage in your area. Not all web content available.

<sup>5</sup> Wireless access point required and is not included. Availability of public wireless access points limited. Wireless Internet use may require separately purchased Internet service contract.

## Bluetooth® Specifications<sup>1</sup>

<b>Technology</b>	High-speed, low-power, short-range wireless communication with other Bluetooth devices
<b>Bluetooth specification</b>	1.2 compliant (2.4-GHz Industrial Scientific Medical Band)
<b>System interface</b>	High-speed UART processor interface
<b>User Interface</b>	Bluetooth Manager
<b>Device type</b>	Class II device; up to 4 dBm transmit, typical 10 meter range
<b>Power</b>	3.3V 5% Peak current – typical TX current at approximately 30 mA – typical RX current at approximately 50 mA
<b>Receiver sensitivity</b>	-83 dBm
<b>Regulatory standards</b>	R&TT#-EN 300 328 and EN 300 826, UL 1950, CB Safety Scheme inclusive of EN 60950 and IEC 950, FCC Part 15 subpart C, Canadian, CE
<b>Profile Support</b>	General Access Profile Service Discovery Application Profile Serial Port Profile Generic Object Exchange Profile File Transfer Profile Dial-Up Networking Profile LAN Access Profile Object Push Profile Personal Area Networking Profile Basic Printing Profile Hard Copy Replacement Profile (printing) Headset Support Profile Human Interface Device Profile Advanced Audio Distribution Profile Audio Video Remote Control Profile Hands Free Profile Basic Imaging Profile
<b>Usage Models</b>	<b>Service Discovery</b> Determine what Bluetooth devices are within range and support authorization

## Standard Features

### File Transfer

File and directory browsing and navigation on another Bluetooth device.  
File copying  
Object manipulation – including add, delete, create new folders etc.

### Serial Port

Synchronization between PDAs and PCs

### Dial Up Networking

Wireless link to WAN thru Bluetooth enabled cell phone<sup>1,2,3</sup>  
Agnostic to WAN technology  
Send/receive SMS messages

### LAN Access

Wireless link to Corporate LAN using Bluetooth and appropriate Bluetooth access point<sup>1</sup>  
Corporate email, network neighborhood, access to LAN applications, file transfer, ftp, Internet browsing, etc, using TCP/IP<sup>1</sup>  
Access the Internet by connecting to your desktop or notebook over Bluetooth and using its network connection<sup>1</sup>

### Generic Object Exchange and Object Push

Exchange business cards, tasks, documents, appointments and more<sup>1</sup>

### Personal Area Networking

Collaborate, chat, play games, exchange data<sup>1</sup>  
Adhoc peer to peer networking<sup>1</sup>

### Basic Printing and Hard Copy Replacement Profiles

Print to any HP Bluetooth enabled printer without the need for cables or specific print drivers

### Certifications

All necessary regulatory approvals for countries supported including:  
Bluetooth logo (FCC (47 CFR) Part 15C, Section 15.247&15.249 ETS 300 328, ETS xxx 489-1/17 Low Voltage Directive IEC950 UL and CE Mark)

### NOTES:

<sup>1</sup>A standard WLAN (Wi-Fi) infrastructure, other Bluetooth-enabled devices, separately purchased equipment, and a service contract with a wireless airtime provider may be required for applicable wireless communication. Wireless Internet use requires a separately purchased service contract. Check with wireless network service providers for availability and coverage in your area. Not all web content available.

<sup>2</sup> Requires Bluetooth enabled mobile, separately purchased wireless carrier/Internet service plan(s) and supporting IT infrastructure.

<sup>3</sup> Telephone service requires separately purchased contract with a telephone service provider with coverage in your service area.



### Options

<b>Memory/Storage</b>	<b>NOTE:</b> Optional accessories are available at additional cost.	
	512MB Micro SD Memory Card incl. adaptors	FA875AA#AC3
	1GB Micro SD Memory Card incl. adaptors	FA876AA#AC3
	2GB Micro SD Memory Card incl. adaptors	FA877AA#AC3
	* Models with full-sized SD slots require the use of an SD adapter (included).	
<b>Power</b>	1700 mAh Lithium-Ion Standard Battery	FB031AA#AC3
	2880 mAh Lithium Ion Extended Battery	FA833AA#AC3
	HP iPAQ Automobile Adapter [while supply lasts]	FA690B#AC3
	HP iPAQ Charger Adapter [while supply lasts]	FA133A#AC3
	HP iPAQ AC Adapter (WW) [while supply lasts]	FA372B#AC3
	HP iPAQ Battery Charger [while supply lasts]	FA830AA#AC3
<b>Synchronization</b>	HP iPAQ Desktop Cradle [while supply lasts]	FA260B#AC3
	HP iPAQ AutoSync Cable (USB and Serial) [while supply lasts]	FA122A#AC3
<b>Input Devices</b>	HP iPAQ Stylus Kit Three-pack	FA261A#AC3
	HP iPAQ Foldable Keyboard	FA802AA#AC3
<b>Headphones</b>	HP iPAQ Bluetooth Stereo Headphones [while supply lasts]	FA303AA#AC3
<b>Cases</b>	HP iPAQ Premier Leather Case [while supply lasts]	FA662A#AC3
	HP iPAQ Rugged Case [while supply lasts]	FA288A#AC3
	HP iPAQ Nylon Slim Case	FA161A#AC3
	HP iPAQ Leather Belt Case	FA160A#AC3
	HP iPAQ Premier Leather Belt Case	FA350A#AC3
	Custom Cases: to view and order go to: <a href="http://www.casesonline.com">http://www.casesonline.com</a>	

### Options

#### Services

**NOTE:** Service offering availability may differ by country.

#### Accidental Damage Protection

HP 1y Accidental Damage Protection NextBusDay Exch HH only SVC UC280E

HP 3y Accidental Damage Protection NextBusDay Exch HH only SVC UC281E

HP 1y Accidental Damage Protection Pickup and Return iPAQ Service U7847E

HP 3y Accidental Damage Protection Pickup and Return iPAQ Service U7848E

#### Next Business Day Exchange

HP 3y Next Business Day Exchange iPAQ Service U7845E

HP 1y Next Business Day Exchange iPAQ Service U7844E

#### Pickup and Return

HP 1y Pickup and Return iPAQ Service U6572PE

HP 2y Pickup and Return iPAQ Service U7849E

HP 3y Pickup and Return iPAQ Service U7846E

HP 4y Pickup and Return iPAQ Service U7852E

HP 5y Pickup and Return iPAQ Service U9592E

For more information on HP iPAQ Handhelds, visit our website at: <http://www.hp.com/go/iPAQ>.

©Copyright 2008 Hewlett-Packard Development Company, L.P. The information contained herein is subject to change without notice. The only warranties for HP products and services are set forth in the express warranty statements accompanying such products and services. Nothing herein should be construed as constituting an additional warranty. HP shall not be liable for technical or editorial errors or omissions contained herein. Microsoft, Windows, and the Windows Logo are U.S. registered trademarks of Microsoft Corporation. Intel and the Intel inside logo are trademarks or registered trademarks of Intel Corporation or its subsidiaries in the U.S. and other countries.

## Free Manuals Download Website

<http://myh66.com>

<http://usermanuals.us>

<http://www.somanuals.com>

<http://www.4manuals.cc>

<http://www.manual-lib.com>

<http://www.404manual.com>

<http://www.luxmanual.com>

<http://aubethermostatmanual.com>

Golf course search by state

<http://golfingnear.com>

Email search by domain

<http://emailbydomain.com>

Auto manuals search

<http://auto.somanuals.com>

TV manuals search

<http://tv.somanuals.com>