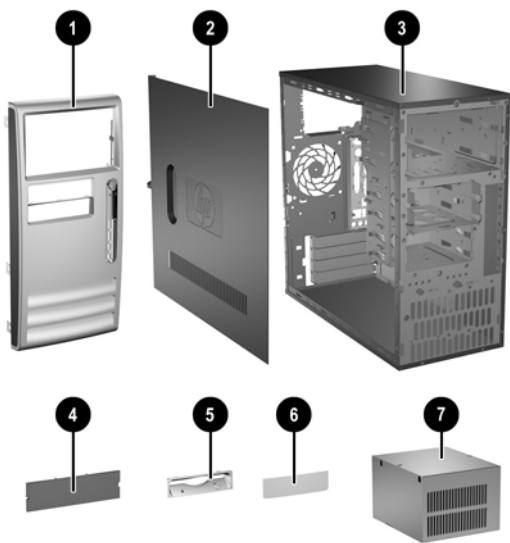


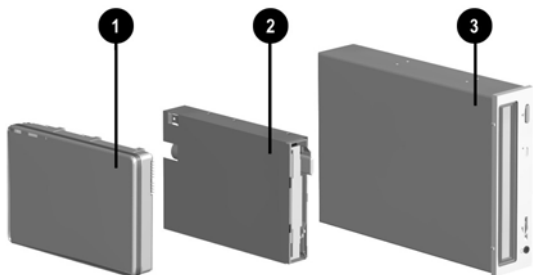
HP Business Desktop d325/dx6050

Illustrated Parts Map
Microtower Chassis, AMD Processor



System Unit		
2	Access panel	326777-001
3	Chassis	not spared
Front bezel assy includes:		326778-001
1	Front bezel frame	
4	5.25" Bezel blank	
5	Diskette drive bezel	
6	3.5" Bezel blank	
7	Power supply, PFC	308615-001

See Miscellaneous Parts for detailed illustrations



Mass Storage Devices		
1	40 GB\5400 RPM Hard drive	236921-001
*	80 GB\5400 RPM Hard drive	292208-001
*	40 GB\7200 RPM Hard drive	286692-001
*	80 GB\7200 RPM Hard drive	250185-001
*	160 GB\7200 RPM Hard drive	325306-001
*	250 GB\7200 RPM Hard drive	344058-001
2	Diskette drive with mounting screws	333505-001
3	48X CD-ROM drive with mounting screws	326773-001
*	52X CD-ROM drive with mounting screws	333969-001
*	48X/24X/48X CD-RW	325308-001
*	48X/32X/48X CD-RW	346788-001
*	48X/32X CD/DVD	359493-001
*	48X/24X/48X +16X DVD/CD-RW	325309-001
*	4X DVD+R/RW	325317-001
*	8X DVD+R/RW	358688-001
*	Zip 250 Drive with mounting bracket	333504-001
*	Zip 250 drive without mounting bracket	326772-001

* Not shown

© 2003, 2004 Hewlett-Packard Development Company, L.P.

HP and the HP logo are trademarks of Hewlett-Packard Development Company, L.P.

All other product names mentioned herein may be trademarks of their respective companies.

HP shall not be liable for technical or editorial errors or omissions contained herein. The information in this document is provided "as is" without warranty of any kind and is subject to change without notice. The warranties for HP products are set forth in the express limited warranty statements accompanying such products. **Nothing herein should be construed as constituting an additional warranty.**

3rd Edition, May 2004

Document Part Number

325807-003



Spare Part Number

336582-001



Miscellaneous Parts

1	Heatsink with fan, alcohol pad, and thermal grease	326771-001
2	Front I/O device with cable	326775-001
*	Diskette drive bezel blank	335938-001
3	Speaker	326776-001
4	Power/LED cable with switch, LED holders and switch holder	330456-001
5	Heatsink removal tool	337599-001
6	Chassis fan	330457-001
*	Real-time clock battery	153099-001
*	Drive Key, 16 MB	324780-001
*	Drive Key, 64 MB	331465-001
*	Drive Key, 128 MB, Carbon	331466-001
*	Drive Key, 128 MB, Carbonite	349988-001
*	Return kit with buns	331249-001
*	PCMCIA Reader	331589-001
*	Port control	335936-001
*	Hood sensor	267529-001
*	Hood lock solenoid	336442-001
*	Universal (Nobel) clamp without cable	335808-001
*	Universal (Nobel) clamp with cable	335809-001

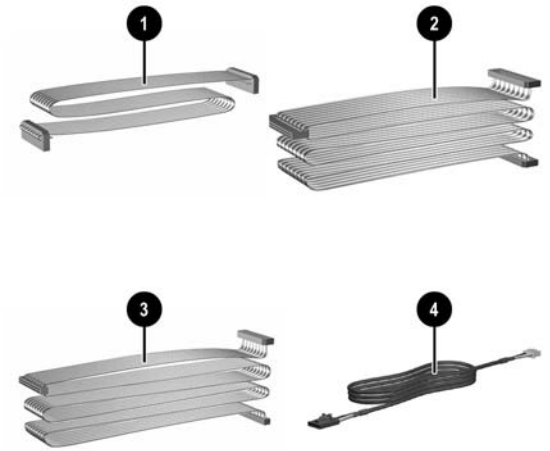
Mouse

*	2-Button, PS/2 with scroll wheel	323614-001
*	2-Button, USB, optical with scroll wheel	323617-001
*	2-Button, wireless with scroll wheel	323616-001
*	2-Button, USB, with scroll wheel	323615-001

Miscellaneous screw kit, includes:

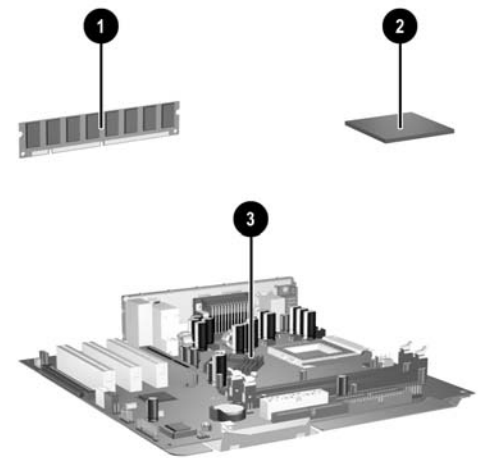
*	M3 x 5mm Full slot hi top, tapitite (4 ea) (263585-001)
*	#6-32 x 1/4Hi top, tapitite (4 ea) (262508-001)
*	#6-32 x 5/16 Hi top, tapitite (2 ea) (262508-002)
*	#6-32 x 3/32 Hi top, tapitite (4 ea) (262508-003)
*	#6-32 x 3/8 Tap tite with washer (1 ea) (114399-069)
*	#6-32 x 1/4 Thumbscrew (1 ea) (124702-004)
*	Countersunk, flat head plastite (1 ea) (247481-001)

*Not shown



Cables

1	Diskette drive cable (143218-005)	257309-001
2	IDE UATA dual device, hard drive/CD-ROM data cable, 10" with pull tab (108950-037)	257047-001
3	IDE UATA dual device, hard drive/CD-ROM data cable, 14" (108950-038)	257048-001
4	CD-ROM audio cable (387527-001)	149806-001



Standard and Optional Boards

Memory Modules

1	128 MB/266 MHz FSB SDRAM	237121-001
*	256 MB/266 MHz FSB SDRAM	237122-001
*	512 MB/266 MHz FSB SDRAM	257526-001
*	1 GB/266 MHz FSB SDRAM	286403-001
*	128 MB/333 MHz FSB SDRAM	314795-001
*	256 MB/333 MHz FSB SDRAM	314793-001
*	512 MB/333 MHz FSB SDRAM	314796-001
*	1 GB/333 MHz FSB SDRAM	314794-001

AMD Athlon Processors with thermal grease and alcohol pad

2	XP2000, 1.667 GHz/266 FSB	293585-001
*	XP2200, 1.8 GHz /266 FSB	308925-001
*	XP2400, 2.0 GHz/266 FSB	293587-001
*	XP2600, 2.133 GHz/266 FSB	319746-001
*	XP2800, 2.083 GHz/333 FSB	326769-001
*	XP3000, 2.167 GHz/333 FSB	326770-001
*	XP3200+, 2.33 GHz/333 FSB	345970-001
*	XP3000, 2.1 GHz/400 FSB	361259-001
*	XP3200+, 2.1 GHz/400 FSB	359495-001
*	XP3000+, 2.2 GHz/400 FSB	359495-001
3	System board with thermal grease and alcohol pad	322122-001

PCI, 56 kbs Modem

*	Lucent V92 modem	239411-001
---	------------------	------------

Graphics Controllers

*	nVIDIA MX440 AGP	322891-001
*	nVIDIA Quadro4 100 NVS, 32 MB	322893-001
*	nVIDIA GeForce FX128MB, DDR, VGA	342253-001

Network Interface Controller Cards

*	NIC, 10/100/1000 Gigabit PCI adapter	321793-001
*	NIC, Intel Pro/1000 MT adapter	314901-001

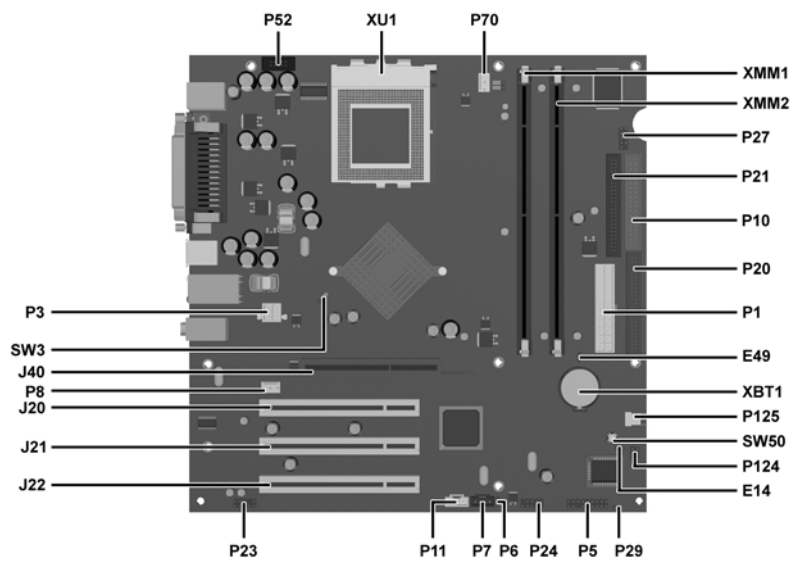
Other cards

*	1394 Expansion card w/2 ext and 1 int port	287476-001
---	--	------------

* Not shown

Keyboards (not illustrated)

See next page for information on all keyboards.



System Board Connectors and Jumpers

E49	Password jumper	P21	Secondary IDE
J20	PCI expansion slot 1	P23	Audio
J21	PCI expansion slot 2	P24	Front USB
J22	PCI expansion slot 3	P29	SCSI LED
J40	AGP connector	P52	Serial port
P1	Main power connector	P70	CPU fan
P3	CPU 12V reg input	P124	Hood lock
P5	Power button/LED	P125	Hood sensor
P6	Internal speaker	SW3	Safe Mode jumper (default = 1-2)
P7	CD audio	SW50	CMOS reset
P8	Chassis fan	XBT1	Real-time clock battery
P10	Diskette drive	XMM1	Memory
P11	Aux audio	XMM2	Memory
P20	Primary IDE	XU1	Processor

Interrupts

IRQ	System Resource	IRQ	System Resource
0	Reserved, interval timer	12	Onboard mouse port
1	Reserved, keyboard buffer full	13	Reserved, numeric data coprocessor
4	Serial Port (COM 1)	14	Primary IDE controller
5	PCI system management	15	Secondary IDE controller
6	Diskette drive controller	19	Integrated graphics (GPU)
8	Real-time clock	21	Integrated audio/USB host controller
9	ACPI-compliant system	22	Network interface card (NIC)

Computer Setup (F10) Utility Features (not all features may be available)

File	System Information About Set Time and Date Save to Diskette Restore From Diskette Set Defaults and Exit Ignore Changes and Exit Save Changes and Exit
Storage	Device Configuration Storage Options IDE DPS Self-Test Controller Order Boot Order
Security	Setup Password Power-On Password Password Options Embedded Security Smart Cover Smart Sensor DriveLock System IDs Master Boot Record Security Save Master Boot Record Restore Master Boot Record Device Security Network Service Boot
Advanced	Power-On Options BIOS Wakeup Onboard devices PCI Devices Bus Options Device Options PCI VGA Configuration

Note: See Computer Setup (F10) Utility Guide on the Documentation Library CD.

Clearing CMOS

- Turn off the computer and any external devices, then disconnect the power cord from the power outlet.
- Remove the access panel.
- Locate the switch SW50 and press the button, holding it down for 5 seconds.
- Replace the access panel.
- Connect the power cord to the power outlet.
- Turn on the computer, allow it to start.

Clearing and Setting the Setup and Power-On Passwords

- Turn off the computer and any external devices, then disconnect the power cord from the power outlet.
- Remove the access panel.
- Locate the header labeled E49.
- Move the jumper from pins 1 & 2 to pins 2 & 3.
- Replace the access panel.
- Connect the power cord to the power outlet.

NOTE: Placing the jumper on pins 2 & 3 and restarting the computer clears the current passwords and disables the password features.

- To re-enable the password features, repeat steps 1-3, then replace the jumper on pins 1 & 2 (safe position).
- Repeat steps 5-6, then establish new passwords.

NOTE: All passwords will be cleared.

Diagnostic LEDs

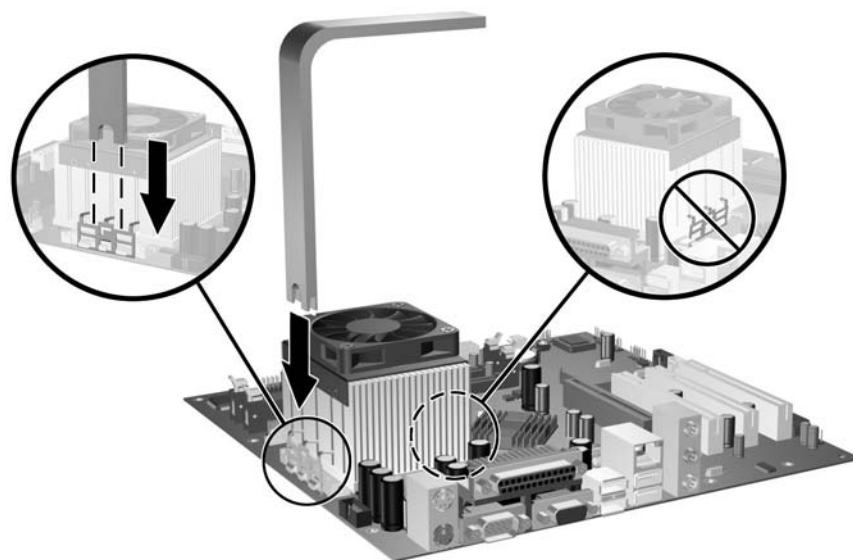
LED	Color	LED Activity	State/Message
Power	Green	On	(S0) Computer on
Power	Green	1 blink every 2 seconds	(S1) Normal Suspend Mode
Power	Green	1 blink every 2 seconds	(S3) Suspend to RAM
Power	Clear	Off	(S4) Suspend to Disk (if applicable)
Power	Clear	Off	(S5) Computer off
Power	Red/Green	Red when flashing ROM; Green 1 blink every second when user can restart	Boot block recovery w/Embedded Video
Power	Red	3 blinks 1 every second, then 2 second pause	CPU not installed
Power	Red	4 blinks 1 every second, then 2 second pause	CPU thermal shutdown
Power	Red	5 blinks 1 every second, then 2 second pause. 5 Beeps	Memory error
Power	Red	6 blinks 1 every second, then 2 second pause. 6 Beeps	Graphics error
Power	Red	7 blinks 1 every second, then 2 second pause. 7 Beeps	System board failure
Power	Red	8 blinks 1 every second, then 2 second pause. 8 Beeps	Invalid ROM
Hard Drive	Green	Blinking	Hard drive activity

Keyboard Diagnostic LEDs

LED	Color	LED Activity	State/Message
Num. Caps, Scroll Lock	Green	Flash On-Off 2 times (Beeps - 1L, 3S)	Invalid system ROM detected. ROM forces reflash.
Num. Caps, Scroll Lock	Green	On (Rising Tone)	ROM reflashed successfully
Num Lock	Green	On	ROMPaq diskette not present, is bad, or drive not ready.*
Caps Lock	Green	On	Enter password.
Num. Caps, Scroll Lock	Green	Blink On in sequence, one at a time - N, C, SL	Keyboard locked in network mode

* Insert valid ROMPaq diskette in drive A. Turn power switch off, then on to reflash ROM. If ROM flash is successful, all three keyboard LEDs will light up, and you will hear a rising tone series of beeps. Remove diskette and turn power off, then on to restart the computer. For more information about flashing the ROM, refer to the Troubleshooting guide.

Heatsink Removal



Keyboards (not illustrated)

Easy Access Keyboard, PS/2		323686-001-xxx		324634-001-xxx	
Europe*	-021	International**	-B31	Thai	-281
French Canadian	-121	Latin American Spanish	-161	U.S.	-001
Japanese	-291	People's Republic of China	-AA1		
Korean (Hangul)	-AD1	Taiwanese	-AB1		

*For 324634-xxx keyboard only
**For 323686-xxx keyboard only

Keyboard, Wireless		323745-xxx			
French Canadian	-121	International	-B31	Taiwanese	-AB1
Japanese	-291	Latin American Spanish	-161	Thai	-281
Korean (Hangul)	-AD1	People's Republic of China	-AA1	U.S.	-001

Smartcard, Easy Access Keyboard, USB		323746-xxx			
French Canadian	-121	International	-B31	Taiwanese	-AB1
Japanese	-291	Latin American Spanish	-161	Thai	-281
Korean (Hangul)	-AD1	People's Republic of China	-AA1	U.S.	-001

Keyboard, Basic, USB		355631-xxx			
Keyboard, Basic, PS/2		355630-xxx			
French Canadian	-121	Latin American Spanish	-161	U.S.	-001

Free Manuals Download Website

<http://myh66.com>

<http://usermanuals.us>

<http://www.somanuals.com>

<http://www.4manuals.cc>

<http://www.manual-lib.com>

<http://www.404manual.com>

<http://www.luxmanual.com>

<http://aubethermostatmanual.com>

Golf course search by state

<http://golfingnear.com>

Email search by domain

<http://emailbydomain.com>

Auto manuals search

<http://auto.somanuals.com>

TV manuals search

<http://tv.somanuals.com>