

Please read and save this Repair Parts Manual. Read this manual and the General Operating Instructions carefully before attempting to assemble, operate or maintain the product described. Protect yourself and others by observing all safety information. The Safety Instructions are contained in the General Operating Instructions. Failure to comply with the safety instructions accompanying this product could result in personal injury and/or property damage! Retain instructions for future reference.

Vertical Sealless Sprayer/Washer Pumps

Refer to form 1608-634-00 for General Operating and Safety Instructions and applicable Warranty.

Description

Vertical sealless sprayer/washer pumps are heavy duty industrial units designed for OEM, automotive and industrial washing machines, parts cleaners, spray booths and cooling towers. Pumps are immersion type; pump end must be immersed in liquid, motor must remain above liquid surface.

All models feature 316 stainless steel semi-open clog resistant impeller, stainless steel shaft, steel shaft coupling, cast iron base and column, plated steel inlet screen, and a TEFC (Totally Enclosed Fan Cooled) electric motor. Motor has ball bearings. Heavy-duty steel universal mounting brackets included. Pump design eliminates a bottom bearing and a shaft seal on all models. Pumps handle liquids up to a maximum temperature of 200° F. Maximum ambient temperature 104° F. Liquid viscosity cannot exceed 100 SSU. These are manual units; no controls are supplied. For use with nonflammable liquids compatible with pump component materials.

Specifications

Model	DRIVER		RPM	NEMA Frame	DIS. Outlet (Inches)*	Weight (Lbs.)
	HP	Power Supply				
4445-95	3	230 VAC, 60 Hz. 1-phase	3450	56C	1-½	78
4446-95	3	230 VAC, 60 Hz. 3-phase	3450	56C	1-½	73
5570-95	10	230/460 VAC, 60 Hz. 3-phase	3450	184JM	1-½	165
5571-95	7.5	230/460 VAC, 60 Hz. 3-phase	3450	184JM	1-½	150
5572-95	5	230/460 VAC, 60 Hz. 3-phase	3450	184JM	1-½	130

NOTE: Driver data is subject to change without notice, see label on driver for actual specifications.

(*) Standard NPT (female) pipe thread

Performance Chart

Model	HP	GPM of Water at Total Head in Feet										Max. Head†	
		60	70	80	90	100	110	120	130	140	150		
4445-95	3	80	55	25	-	-	-	-	-	-	-	-	85 ft.
4446-95	3	80	55	25	-	-	-	-	-	-	-	-	85 ft.
5572-95	5	*	115	100	80	50	-	-	-	-	-	-	110 ft.
5571-95	7.5	*	*	140	125	110	90	70	40	-	-	-	140 ft.
5570-95	10	*	*	*	162	150	135	120	95	70	40	-	160 ft.

(*) Operation of pumps beyond range indicated will result in reduced pump life, pump damage and/or motor damage.

(†) Shut-off; convert to psi, multiply by specific gravity and divide by 2.31

Installation

1. (5570 series pumps) Remove shipping fixture (Ref. No. 19) that holds the drive shaft to the base before installing pump.

2. Pump must be installed with its base supporting the entire weight of the pump.

CAUTION Mounting brackets are not designed to support the pump's weight. Brackets are designed to prevent tipping.

3. Position pump in tank or reservoir. Position mounting brackets, align pipe clearance hole with pump discharge outlet.

(4445 series pumps)
4. Assemble one piece of sponge tape (Ref. No. 25) to each clamp bracket (Ref. No. 24). Attach clamp brackets to mounting brackets with fasteners provided (Ref. Nos. 26 and 27). This will fix the column (Ref. No. 3) in position.

(5570 series pumps)
4. Adjust lower fasteners (Ref. No. 4) to bottom of mounting brackets. Secure pump to mounting brackets with upper fasteners (Ref. No. 4).

5. Secure mounting brackets to tank or reservoir. Install an appropriate fastener in each hole or slot provided.

6. Install the balance of the system.

Vertical Sealless Sprayer/Washer Pumps

Maintenance

WARNING *Make certain that unit is disconnected from power source before attempting to service or remove any component.*

IMPELLER/MOTOR REPLACEMENT

Refer to Figure 2, and 3.

1. Remove unit from the tank or reservoir.
2. Remove fasteners (Ref. No. 8) and washers if present (Ref. No. 7) that connect the volute base (Ref. No. 17) to the volute cover (Ref. No. 10).
3. Remove volute base, and gasket (Ref. No. 16).
4. Place an allen wrench through the slot in the top of the column and into one of the socket head screws of the shaft coupling. Rotate impeller counterclockwise until allen wrench stops against side of slot. Remove nut (Ref. No. 15) and then impeller from drive shaft by rotating each counterclockwise.
IMPORTANT: Care should be taken to insure that same number of shim washers (Ref. No. 9), if present, is replaced behind impeller as were removed. These shim washers are located directly behind the impeller. Shim washers may or may not be present depending on assembly clearances.
5. Remove allen wrench from slot and then remove the four fasteners (Ref. No. 5) and washers or nuts (Ref. No. 4) that connect the motor (Ref. No. 1) to the column (Ref. No. 3).
6. Remove the motor with shaft (Ref. No. 13) and coupling (Ref. No. 2) from the column.
7. Measure the distance from the shaft coupling to the motor mounting surface. Record this measurement.
8. Loosen the two socket head screws, towards the motor, in the coupling. Slide the coupling/shaft from the motor.
9. To reassemble, slide the coupling/shaft on the motor. Replace drive key (Ref. No. 7) if removed (557? Series only). Position the coupling at the recorded distance from the motor

mounting surface. Securely tighten all four socket head screws in coupling.

10. Install motor/shaft assembly into column. Secure with four fasteners and washers.
11. Install impeller, shim washers if any, and nut. Position gasket on volute cover and install volute base with fasteners and washers.
IMPORTANT: If impeller strikes volute spacer plate (Ref. No. 11) before bottoming on shaft shoulder, add two 0.020" shims behind impeller. Reinstall impeller.
12. Place pump in an upright position. Rotate shaft/impeller. Impeller cannot strike volute base or volute cover. If interference exists, install or remove shim washers behind the impeller. (See "SHIM ADJUSTMENT" section) If shimming does not correct interference, repositioning coupling/shaft/impeller assembly on motor shaft may be necessary.

VOLUTE SPACER PLATE REPLACEMENT

The volute spacer plate is subject to wear only by abrasive liquids. If badly worn this plate can be replaced easily.

1. Disassemble pump for access as described in IMPELLER/MOTOR REPLACEMENT, steps 1, 2, 3, and 4.
2. Remove two fasteners (Ref. No. 12) that connect the spacer plate to the volute cover.
3. Replace spacer plate.
4. Reassemble pump as described in steps 11 and 12.

SHIM ADJUSTMENT

1. When installing a replacement impeller (Ref. No. 14), motor (Ref. No. 1), volute spacer plate (Ref. No. 11) or volute base (Ref. No. 17), it may be necessary to adjust the number of shims (Ref. No. 9) to insure proper running clearance between impeller and volute base and spacer plate. Proceed as follows:

NOTE: A proper running clearance between impeller and volute base is 0.04" to 0.06".

1. For impeller or motor replacement, add one 0.020" shim in addition to those removed, if any, originally.

2. Reassemble pump as described in steps 9, 10, 11, and 12 as described in IMPELLER/MOTOR REPLACEMENT.

IMPORTANT: Insure that volute base is snugly in place and check shaft to make sure it is turning freely (rotate impeller by using impeller nut Ref. No. 15 and socket wrench). Tighten fasteners connecting motor to column and volute to base carefully. Rotate shaft while tightening so that motor bearings are not damaged in the event that too many shims were installed. If shaft seizes before fasteners are completely tight, disassemble pump and remove two shims and repeat assembly.

SHAFT SUPPORT REMOVAL

Models 4445-95 and 4446-95 only.

These units are designed to operate without a bottom bearing. A shaft support (Ref. No. 20) is installed at the factory to protect the shaft from misalignment during shipping. If pump is noisy while operating, this support may be the cause. The shaft support can be removed to stop noisy operation. Shaft support should not be replaced.

1. Disassemble pump for access as described in IMPELLER/MOTOR REPLACEMENT, steps 1 through 6.
2. Press out shaft support. Do not remove support plate (Ref. No. 21).
3. Reassemble pump as described in steps 10, 11, and 12.

DEBRIS SCREEN CLEANING

Sprayer/Washer pumps are equipped with a debris screen (Ref. No. 18). This screen is supplied attached to volute base (Ref. No. 17) with 4 drive pins. This screen may be replaced if damaged.

If pump performance is reduced or severe vibration occurs during operation this screen may be clogged. Debris screen must be thoroughly cleaned to restore pump performance.

Vertical Sealless Sprayer/Washer Pumps

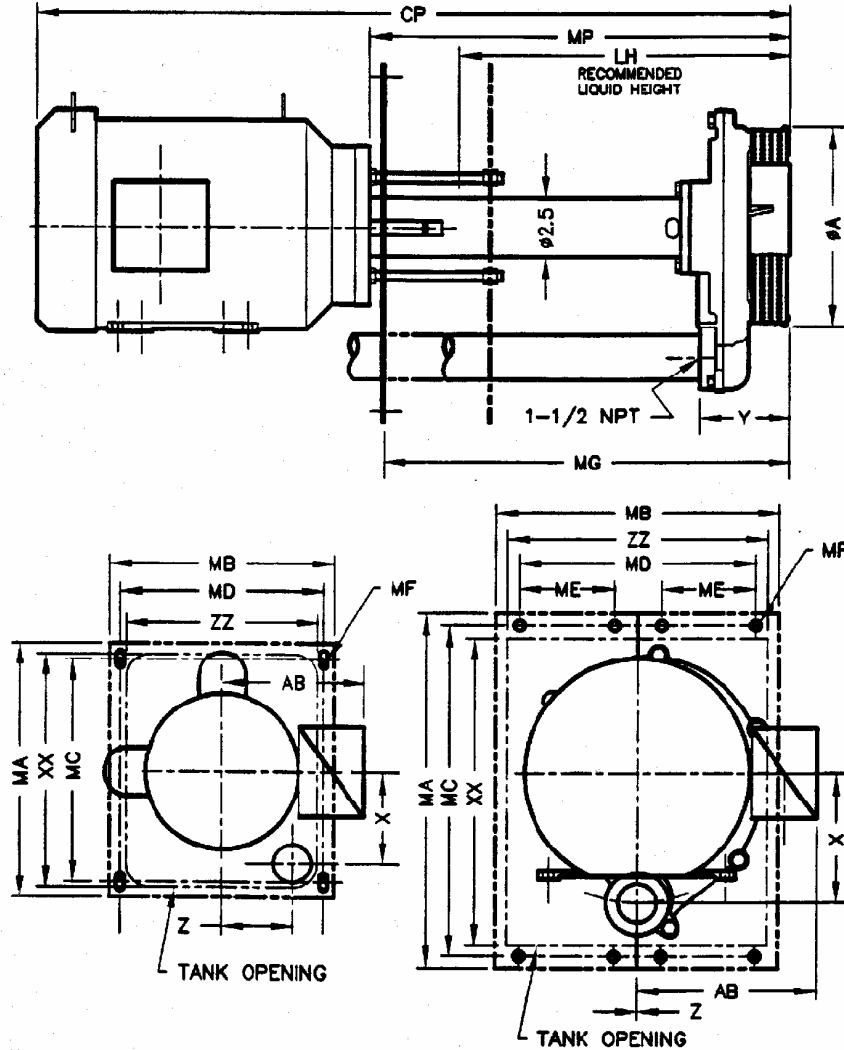


Figure 1 - Dimensions

Dimensions (Inches)

Model	DIS*	A	AB†	CP†	LH	X	XX	Y	Z	ZZ	MA	MB	MC	MD	ME	MF	MG	MP
4445-95	1-1/2	6.50	4.87	29.8	13.5	3.88	9.85	3.50	3.00	8.13	10.8	9.50	9.38	8.63	N/A	0.32	15-11	17.0
4446-95	1-1/2	6.50	4.87	29.8	13.5	3.88	9.85	3.50	3.00	8.13	10.8	9.50	9.38	8.63	N/A	0.32	15-11	17.0
5570-95	1-1/2	8.40	7.50	32.0	14.0	5.53	13.0	4.00	0.00	11.0	15.0	12.0	14.0	10.0	4.00	0.44	17-12	17.8
5571-95	1-1/2	8.40	7.50	32.0	14.0	5.53	13.0	4.00	0.00	11.0	15.0	12.0	14.0	10.0	4.00	0.44	17-12	17.8
5572-95	1-1/2	8.40	7.50	32.0	14.0	5.53	13.0	4.00	0.00	11.0	15.0	12.0	14.0	10.0	4.00	0.44	17-12	17.8

NOTE: All dimensions have a tolerance of $\pm 1/8"$.

(*) Standard NPT (Female) Pipe Thread.

(†) This dimension may vary due to motor manufacturer's specifications.

For Repair Parts, contact dealer where pump was purchased

Please provide following information:

- Model number
- Serial number (if any)
- Part description and number as shown in parts list

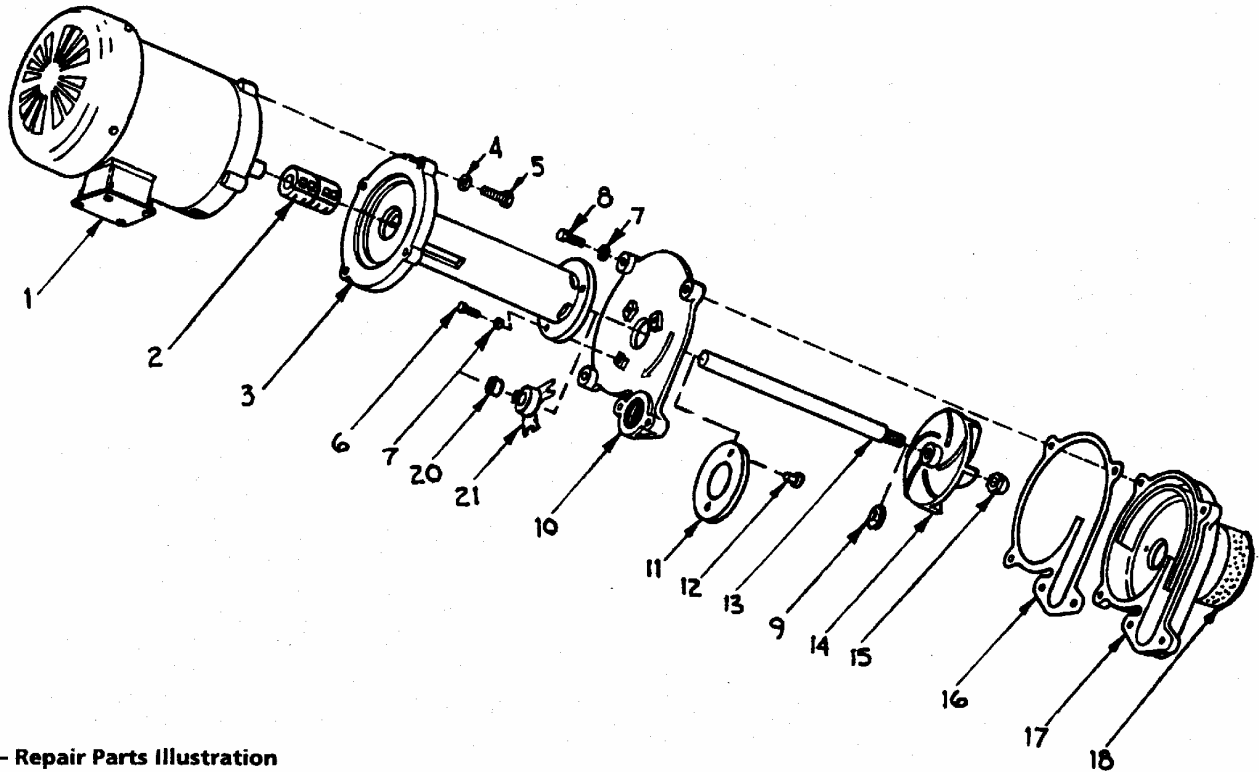


Figure 2 – Repair Parts Illustration

Repair Parts List

Ref. No.	Description	Part Numbers For Models:		Qty.
		4445-95	4446-95	
1	Motor	1626-075-00	1626-076-00	1
2	Coupling	4430-143-00	4430-143-00	1
3	Column	4430-032-09	4430-032-09	1
4	Washer	*	*	4
5	Fastener	*	*	4
6	Fastener	*	*	3
7	Washer	*	*	10
8	Fastener	*	*	7
9	Impeller shim set (See 14)			
10	Volute cover	4445-020-09	4440-020-01	1
11	Volute spacer plate	4445-060-09	4445-060-09	1
12	Fastener	*	*	2
13	Shaft	4445-140-00	4445-140-00	1
14	Impeller, Includes 9 & 15	4445-010-98	4445-010-98	1
15	Impeller nut	1784-001-00	1784-001-00	1
16	Gasket	4440-300-00	4440-300-00	1
17	Volute base, Includes 18	4445-001-95	4445-001-95	1
18	Debris screen (See 17)	N/A	N/A	1
19	N/A	N/A	N/A	-
20	Shaft support	Not available	Not available	1
21	Support plate	4445-090-09	4445-090-09	1
Δ	Mounting bracket kit	4420-90	4420-90	1

(Δ) Not shown.

(*) Standard hardware item, available locally.

N/A Not applicable to this model.

For Repair Parts, contact dealer where pump was purchased

Please provide following information:

- Model number
- Serial number (if any)
- Part description and number as shown in parts list

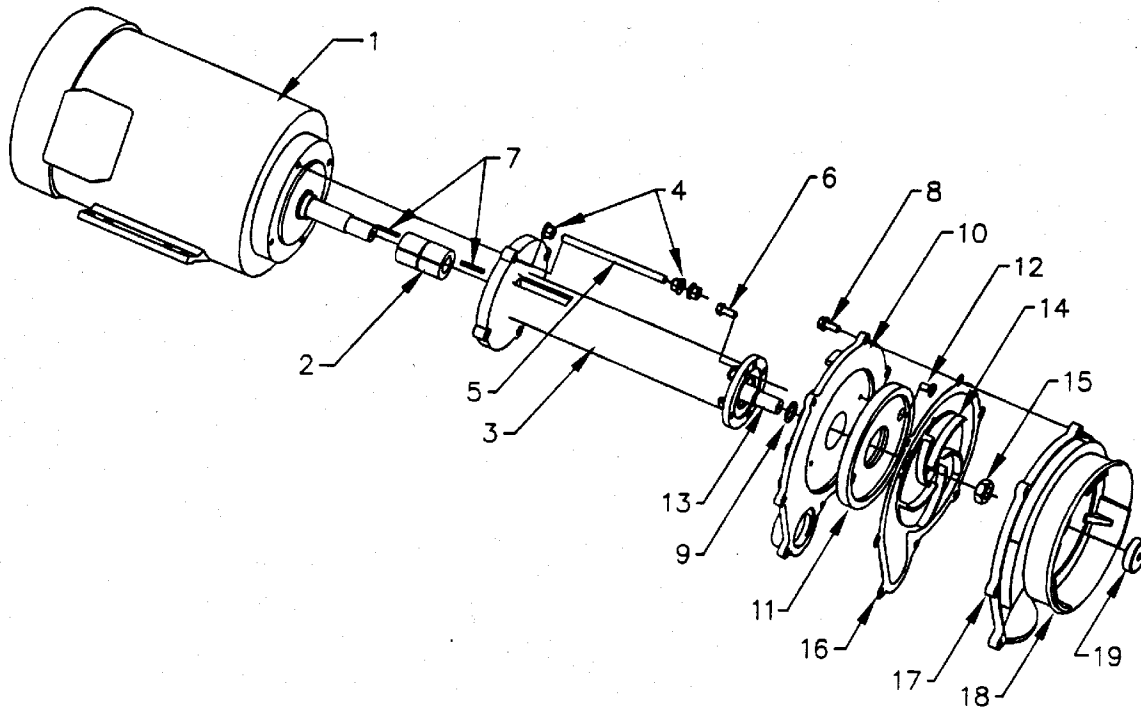


Figure 3 - Repair Parts Illustration

Repair Parts List

Ref. No.	Description	Part Numbers For Models:			Qty.
		5570-95	5571-95	5572-95	
1	Motor	1626-046-00	1626-045-00	1626-044-00	1
2	Coupling	5570-141-00	5570-141-00	5570-141-00	1
3	Column	4430-032-01	4430-032-01	4430-032-01	1
4	Fastener	*	*	*	12
5	Fastener	*	*	*	4
6	Fastener	*	*	*	4
7	Drive key	1471-030-00	1471-030-00	1471-030-00	2
8	Fastener	*	*	*	7
9	Impeller shim set, includes (1) 0.010", (1) 0.020", (1) 0.030"	1806-090-90	1806-090-90	1806-090-90	1
10	Volute cover	5570-020-01	5570-020-01	5570-020-01	1
11	Volute spacer plate	5570-060-01	5570-060-02	5570-060-03	1
12	Fastener	*	*	*	2
13	Shaft	5570-140-00	5570-140-00	5570-140-00	1
14	Impeller	5570-011-01	5570-011-02	5570-012-01	1
15	Impeller nut	*	*	*	1
16	Gasket	5570-300-00	5570-300-00	5570-300-00	1
17	Volute base	4970-001-01	4970-001-01	4970-001-01	1
18	Debris screen	5570-050-00	5570-050-00	5570-050-00	1
19	Shipping fixture	Not available	Not available	Not available	1
Δ	Drive pin	1697-000-00	1697-000-00	1697-000-00	4
Δ	Mounting cover	5570-040-00	5570-040-00	5570-040-00	2

(Δ) Not shown

(*) Standard hardware item, available locally.

Free Manuals Download Website

<http://myh66.com>

<http://usermanuals.us>

<http://www.somanuals.com>

<http://www.4manuals.cc>

<http://www.manual-lib.com>

<http://www.404manual.com>

<http://www.luxmanual.com>

<http://aubethermostatmanual.com>

Golf course search by state

<http://golfingnear.com>

Email search by domain

<http://emailbydomain.com>

Auto manuals search

<http://auto.somanuals.com>

TV manuals search

<http://tv.somanuals.com>