

2000C Electronics**Cable**

- 1 C4530-60044 Main logic PC board power cable
- 2 C4530-60057 Cable assembly - Has 3 pin (F) connectors - 7.0cm (2.8 inches) long
- 3 C4530-60091 Trailing cable assembly - Two ribbon cables attached to a plastic mounting bracket - 55.9cm (22 inches) long
- 4 C4530-60146 Main cable harness assembly with ferrites - Has many connectors: a large 10 pin (F), three 2 pin (F), four 3 pin (F), a 5 pin (F), a 6 pin (F), a 7 pin (F), a 9 pin (F), a 12 pin (F), and two 30 pin (F) - Overall length is 88.3cm (34.8 inches)

Cable Kit

- 5 C5875-60001 JetDirect print server cable set - Includes power cable and parallel interface cable (Cables connect between the printer and the JetDirect module)

Fan

- 6 C4530-60096 Fan and mount assembly

Keypad

- 7 C4530-60033 Keypad assembly - Includes cover

PC Board

- 8 C4530-60038 Power supply PC board
- 9 C4530-69308 Main logic PC board
REQUIRES RETURN OF DEFECTIVE PART
C4530-60303 New Part for C4530-69308
- 10 C4530-69320 Main logic PC board
REQUIRES RETURN OF DEFECTIVE PART
C4530-60320 New Part for C4530-69320

Power Cord

- 11 8120-8416 Power cord (Flint Gray) - 18 AWG, two conductor, 1.8m (6.0ft) long - Has 90 degree (F) C7 receptacle (For 240V in the UK)
- 12 8120-8417 Power cord (Flint Gray) - Two conductor, 1.8m (6.0ft) long - Has 90 degree (F) C7 receptacle (For 220V in Europe and Russia)
- 13 8120-8419 Power cord (Flint Gray) - Two conductor, 1.8m (6.0ft) long - Has 90 degree (F) C7 receptacle (For 120V in the USA and Canada)
- 14 8120-8420 Power cord (Flint Gray) - 18 AWG, two conductor, 1.8m (6.0ft) long - Has 90 degree (F) C7 receptacle (For 220V in Korea)
- 15 8120-8421 Power cord (Flint Gray) - Two conductor, 1.8m (6.0ft) long - Has 90 degree (F) C7 receptacle (For 240V in India and South Africa)
- 16 8120-8451 Power cord (Flint Gray) - Two conductor, 1.8m (6.0ft) long - Has 90 degree (F) C7 receptacle (For 220V in Argentina, Australia, New Zealand, Papua, New Guinea, Uruguay, and China)
- 17 8120-8452 AC Power cord (Black) - Two conductor, 1.8m (6.0ft) long - Has straight (F) C7 receptacle (For 220V in Chile)

Sensor

- 18 1990-2081 Media sensor - Used to detect transparencies
- 19 C4530-60130 Carriage access door sensor assembly - Includes cable

Chassis Parts**Base**

- 20 C4530-60093 Base assembly - Large metal item that serves as the base for the printer

Bracket

- 21 J3263-40003 Mounting bracket (plastic clip) - Holds the JetDirect print server module on the rear panel of the printer - Comes Standard with the HP 2000CN (C5901A)

Cover

- 22 C4530-40142 Top door assembly - Provides access to the ink delivery system
- 23 C4530-40145 Left side cover
- 24 C4530-40146 Right cheek - Side cover for paper tray

**Chassis Parts****Cover**

- 25 C4530-40148 Rear cover
26 C4530-40254 IDS skirt

Door

- 27 C4530-40149 Service station access door
28 C4530-60314 Access door assembly - Includes the ink cartridge door, print head door, and hinge spring - Mounts on the right top side of the printer

Foot

- C4530-40279 Rubber bumper foot

Label

- 30 C4530-80071 Indicator label (Shows which cartridges and printheads to use)
NO LONGER SUPPLIED
C4530-60314 *New Part for C4530-80071*

Tray

- 31 C4530-60253 Input/output tray assembly - Includes extended paper output tray assembly and the structure that the tray rests on
32 C4530-60259 Extended paper output tray assembly (output deck) - Includes extended tray with width adjuster - Slides in the retainer slots on the front top of the printer - Replaces the standard tray
33 C4601-69002 Accessory paper tray/feeder assembly - Holds 250 sheets of paper
REQUIRES RETURN OF DEFECTIVE PART
C4601-67002 *New Part for C4601-69002*

Electronic Accessories**Cable (Interface)**

- 5063-1256 IEEE-1284 Bi-Tronics parallel cable - DB-25 (M) connector (type A) to 36 pin Centronics (M) connector (type B) - 2.0m (6.6ft) long
5063-1257 IEEE-1284 Bi-Tronics parallel cable - DB-25 (M) connector (type A) to 36 pin Centronics (M) connector (type B) - 3.0m (9.8ft) long
C2950A IEEE-1284 Bi-Tronics parallel cable - DB-25 (M) connector (type A) to 36 pin Centronics (M) connector (type B) - 2.0m (6.6ft) long
5063-1256 *New Part for C2950A*
C2951A IEEE-1284 Bi-Tronics parallel cable - DB-25 (M) connector (type A) to 36 pin Centronics (M) connector (type B) - 3.0m (9.8ft) long
C2990A IEEE-1284 Bi-Tronics parallel cable - DB-25 (M) (type A) to 36 pin (M) Centronics (type B) - 1.8m (6ft) long
NO LONGER SUPPLIED
C2991A IEEE-1284 Bi-Tronics parallel cable - DB-25 (M) (type A) to 36 pin (M) Centronics (type B) - 3.0m (10ft) long
NO LONGER SUPPLIED

Cable Kit

- 40 C5875-60001 JetDirect print server cable set - Includes power cable and parallel interface cable (Cables connect between the printer and the JetDirect module)

Tray

- 41 C4601-69002 Accessory paper tray/feeder assembly - Holds 250 sheets of paper
REQUIRES RETURN OF DEFECTIVE PART
C4601-67002 *New Part for C4601-69002*
42 C4601A HP 2000C Accessory paper input tray - Holds 250 sheets of paper
NO LONGER SUPPLIED

Optional Interfaces**Interface (Module)**

- 43 J3263-69001 External JetDirect 300X print server module (10Base-T and 100Base-T) - Connects between printer parallel port and LAN network - Does NOT include power module - Comes Standard with the C5901A HP 2000CN
REQUIRES RETURN OF DEFECTIVE PART
J3263-61001 *New Part for J3263-69001*

Optional Interfaces

Interface (Module)

J4101-61011 External JetDirect 300X print server module (10Base-T and 100Base-T) - Connects between printer parallel port and LAN network - Does NOT include power module - (J4101A, J4101B)

Interface (Product)

J2591A External JetDirect LAN interface module and power module - Has EtherTwist (10Base-T) and ThinLAN (10Base-2) connectors
NO LONGER SUPPLIED

Module

J2591-69001 External JetDirect LAN interface module with ethertwist (10Base-T) and ThinLAN (10BASE-2) connectors

J3264-69001 External JetDirect token ring interface module with DB-9 and RJ-45 input connectors and 3 parallel (DB-25) output connectors
REQUIRES RETURN OF DEFECTIVE PART

J3264-61001 New Part for J3264-69001

J3265-69001 External JetDirect LAN interface module with EtherTwist (10Base-T and ThinLAN) (10BASE-2) input connectors and 3 parallel (DB-25) output connectors
REQUIRES RETURN OF DEFECTIVE PART

J3265-61001 New Part for J3265-69001

J4102-69011 External JetDirect LAN interface module with EtherTwist (10Base-T) connector - (J4102A, J4102B)
REQUIRES RETURN OF DEFECTIVE PART

J4102-61011 New Part for J4102-69011

Module (Product)

J4101B External JetDirect LAN interface module with EtherTwist (10Base-T/Base-TX) connector

J4102B External JetDirect LAN interface module with EtherTwist (10Base-T) connector

Power Module

0950-3348 Wall mount power supply module (MEI-AH ED12006) - 110-127VAC input, 57-63Hz - 13VDC output, 800mA, 10.4 watts (for use in the United States and Canada) - For models J2590/91/93/94A, J2964A, J3258A/B, J3263/64/65A, J3282B, J4101A/B, J4102A/B

0950-3349 Wall mount power supply module (MEI-AH ED12007) - 230VAC input, 47-53Hz - 13VDC output, 800mA, 10.4 watts (for use in Europe and Israel)

0950-3350 Wall mount power supply module (MEI-AH ED12008) - 220-240VAC input, 47-53Hz - 13VDC output, 800mA, 10.4 watts (for use in the United Kingdom) - For JetDirect/infrared interfaces J2590/91/93/94A, J2964A, J3258A/B, J3263/64/65A, J3282B, J4101A/B, J4102A/B

0950-3351 Wall mount power supply module (MEI-AH ED12009) - 220VAC input, 47-63Hz - 13VDC output, 800mA, 10.4 watts (for use in South Korea) - For JetDirect/infrared interface models J2590/91/93/94A, J2964A, J3258A/B, J3263/64/65A, J3282B, J4101A/B, J4102A/B

0950-3352 Wall mount power supply module (MEI-AH ED12010) - 100VAC input, 47-63Hz - 13VDC output, 800mA, 10.4 watts (for use in Japan) - For JetDirect/infrared interface models J2590/91/93/94A, J2964A, J3258A/B, J3263/64/65A, J3282B, J4101A/B, J4102A/B

0950-3354 Wall mount power supply module (MEI-AH ED12010) - 220-250VAC input, 47-53Hz - 13VDC output, 800mA, 10.4 watts (for use in South Africa) - For JetDirect/infrared interface models J2590/91/93/94A, J2964A, J3258A/B, J3263/64/65A, J3282B, J4101A/B, J4102A/B

9100-5176 Wall mount power supply module (Leader Electronics 48130625HK) - 200VAC input, 48-52Hz - 13VDC output, 625mA (Hong Kong) - For JetDirect Modules and Infrared Interface Models J2590/91/93/94A, J2964A, J3258A/B, J3263/64/65A, J3282B, J4101A/B, J4102A/B

0950-3350 New Part for 9100-5176

Other Accessories

Bracket

⁵⁹ J3263-40003 Mounting bracket (plastic clip) - Holds the JetDirect print server module on the rear panel of the printer - Comes Standard with the HP 2000CN (C5901A)

**Other Accessories****Cartridge**

60	C4840A	No.10 standard capacity black ink cartridge (Holds 27ml of ink) - Prints approximately 500 pages at 5% printing density (for USA) NO LONGER SUPPLIED
	C4844A	<i>New Part for C4840A</i>
61	C4840AA	No.10 standard capacity black ink cartridge (Holds 27ml of ink) - Prints approximately 500 pages at 5% printing density (for Asia/Pacific) NO LONGER SUPPLIED
62	C4840AE	No.10 standard capacity black ink cartridge (Holds 27ml of ink) - Prints approximately 500 pages at 5% printing density (for Europe) NO LONGER SUPPLIED
63	C4840AL	No.10 standard capacity black ink cartridge (Holds 27ml of ink) - Prints approximately 500 pages at 5% printing density (for Latin America) NO LONGER SUPPLIED
64	C4844A	No. 10 high capacity Black ink cartridge (holds 69ml of ink) - Prints approximately 1400 pages at 5% printing density (USA)
65	C4844AA	No.10 high capacity Black ink cartridge (holds 69ml of ink) - Prints approximately 1400 pages at 5% printing density (for Asia/Pacific)
66	C4844AE	No.10 high capacity Black ink cartridge (holds 69ml of ink) - Prints approximately 1400 pages at 5% printing density (for Europe)
67	C4844AL	No.10 high capacity Black ink cartridge (holds 69ml of ink) - Prints approximately 1400 pages at 5% printing density (for Latin America)
68	C4841A	No.10 standard capacity cyan ink cartridge (Holds 29ml of ink) - Prints approximately 1240 pages at 15% mixed color printing density (for USA)
69	C4841AA	No.10 standard capacity cyan ink cartridge (Holds 29ml of ink) - Prints approximately 1240 pages at 15% mixed color printing density (for Asia/Pacific)
70	C4841AE	No.10 standard capacity cyan ink cartridge (Holds 29ml of ink) - Prints approximately 1240 pages at 15% mixed color printing density (for Europe)
71	C4841AL	No.10 standard capacity cyan ink cartridge (Holds 29ml of ink) - Prints approximately 1240 pages at 15% mixed color printing density (for Latin America)
72	C4843A	No.10 standard capacity magenta ink cartridge (Holds 29ml of ink) - Prints approximately 1240 pages at 15% mixed color printing density (for USA)
73	C4843AA	No.10 standard capacity magenta ink cartridge (Holds 29ml of ink) - Prints approximately 1240 pages at 15% mixed color printing density (for Asia/Pacific)
74	C4843AE	No.10 standard capacity magenta ink cartridge (Holds 29ml of ink) - Prints approximately 1240 pages at 15% mixed color printing density (for Europe)
75	C4843AL	No.10 standard capacity magenta ink cartridge (Holds 29ml of ink) - Prints approximately 1240 pages at 15% mixed color printing density (for Latin America)
76	C4842A	No.10 standard capacity yellow ink cartridge (Holds 29ml of ink) - Prints approximately 1240 pages at 15% mixed color printing density (for USA)
77	C4842AA	No.10 standard capacity yellow ink cartridge (Holds 29ml of ink) - Prints approximately 1240 pages at 15% mixed color printing density (for Asia/Pacific)
78	C4842AE	No.10 standard capacity yellow ink cartridge (Holds 29ml of ink) - Prints approximately 1240 pages at 15% mixed color printing density (for Europe)
79	C4842AL	No.10 standard capacity yellow ink cartridge (Holds 29ml of ink) - Prints approximately 1240 pages at 15% mixed color printing density (for Latin America)

Cleaning Supplies

C4530-67910 Paper pick-up roller cleaning kit

Manual

C4530-60274 HP 2000C family service manual on CD-ROM (Version 1.1, English, HP Internal version)

C4530-60275 HP 2000C family service manual on CD-ROM (Version 1.1, English)

Other Accessories**Manual/Software**

C5900-60004	HP 2000Cse printer user's manual/software kit (English) - Includes the user's manual, 'Printing Essentials' CD-ROM, and printer drivers
C5901-60037	HP 2000CN printer user's manual/software kit (English) - Includes the user's manual, Network Configuration guide, HP JetDirect Print Server Software, 'Printing Essentials' CD-ROM, and printer drivers
C5901-60038	HP 2000CN printer user's manual/software kit (French) - Includes the user's manual, 'Printing Essentials' CD-ROM, and printer drivers
C5901-60039	HP 2000CN printer user's manual/software kit (Portuguese) - Includes the user's manual, 'Printing Essentials' CD-ROM, and printer drivers
C5901-60040	HP 2000CN printer user's manual/software kit (Spanish) - Includes the user's manual, 'Printing Essentials' CD-ROM, and printer drivers

Printhead

88	C4800A	No.10 black ink printhead assembly - Approximate life expectancy is 12,000 pages minimum at 5% printing density
89	C4801A	No.10 cyan ink printhead assembly - Approximate life expectancy is 15,000 pages minimum at 15% mixed color printing density
90	C4802A	No.10 magenta ink printhead assembly - Approximate life expectancy is 15,000 pages minimum at 15% mixed color printing density
91	C4803A	No.10 yellow ink printhead assembly - Approximate life expectancy is 15,000 pages minimum at 15% mixed color printing density

Return Kit

5183-5269	Return kit with box and instructions - For returning defective TIJ 3.0 printheads covered under the CREW program
-----------	--

Other Internal Parts**Absorber**

93	C4530-80070	Absorber
94	C4530-80078	Absorber (Wick)
95	C4530-80100	Absorber

Bracket

96	C4530-00117	Bracket (curtain) - Metal support installed near center of base
----	-------------	---

Cover

97	C4530-00018	PC board cover/ground bracket
98	C4530-20075	Power supply PC board cover

Fan

99	C4530-60096	Fan and mount assembly
----	-------------	------------------------

Filter

100	C4530-80037	Air filter
-----	-------------	------------

Guide

101	C4530-40352	Guide - Installed under the service station
-----	-------------	---

Ink Delivery System

102	C4530-67812	Ink Delivery System - Carries ink from ink supply station to ink cartridges
-----	-------------	---

Ink Supply Station

103	C4530-67817	Ink supply station assembly
-----	-------------	-----------------------------

Service Station

104	C4530-67803	Print cartridge service station assembly - Includes motor, cap assembly, and wipers
-----	-------------	---

Paper and Other Media

Paper and Other Media**Film (Transparency)**

C3832A	Premium InkJet transparency film - A4 size (21.0cm x 29.7cm) - 20 sheets per package
C3835A	Premium InkJet transparency film - A4 size (21.0cm x 29.7cm) - 50 sheets per package
C6053A	Premium InkJet rapid-dry transparencies - A4 size (21.0cm x 29.7cm) - 50 sheets per package NO LONGER SUPPLIED
C3828A	Premium InkJet transparency film - A size (8.5 x 11-inches) - 20 sheets per package
C3834A	Premium InkJet transparency film - A size (8.5 x 11-inches) - 50 sheets per package
C6051A	Premium InkJet rapid-dry transparencies - A size (8.5 x 11-inches) - 50 sheets per package NO LONGER SUPPLIED

Greeting Card Kit

C6587AN	Printable Expressions all occasions card kit - Includes 20 greeting cards and envelopes, and a CD-ROM with 24 original pieces of art NO LONGER SUPPLIED
---------	--

Iron-On Transfers

C6050A	Iron-on T-shirt transfers - A4 size (21.0cm x 29.7cm) - 10 sheets per package
C6049A	Iron-on T-shirt transfers - A size (8.5 x 11-inches) - 10 sheets per package

Paper

C6828A	Greeting card paper pack (White) - A size (8.5 x 11-inches) - Felt textured - Includes 20 sheets and 20 envelopes
C6042A	Greeting card paper pack (White) - A4 size (21.0cm x 29.7cm) - Includes 20 sheets and 20 envelopes - Not Recommended for Use in the 250 Sheet Accessory Paper Tray
C1812A	Greeting card paper pack (White) - A size (8.5 x 11-inches) - Includes 20 sheets and 20 envelopes - Not recommended for use in the 250 sheet accessory paper tray

Paper (Banner)

C1820A	Banner paper - A size (8.5 x 11-inches) - 24 lb - Perforated for easy separation - 100 sheets per pack
--------	--

Paper (Glossy)

C3833A	Premium glossy InkJet paper - A size (8.5 x 11-inches) - 10 sheets per package
C6044A	Glossy greeting cards - A size (8.5 x 11-inches) - 10 scored glossy cards and envelopes
C7020A	Scored tri-fold glossy brochure paper - B size (11 x 17-inches)
C6817A	Professional glossy InkJet brochure and flyer paper - Glossy on both sides - A size (8.5 x 11-inches) - 50 sheets per box

Paper (InkJet Photo)

C6983A	Photo quality InkJet paper - With two sided semi-gloss finish - A size (8.5 x 11-inches) - 25 sheets per package
C7007A	Photo quality InkJet paper - With two sided matte finish - A size (8.5 x 11-inches) - 100 sheets per package

Paper (InkJet)

51634Z	InkJet non-glossy LX paper - A4 size (21.0cm x 29.7cm) - 200 sheets per package
C1825A	Bright white InkJet paper - A4 size (21.0cm x 29.7cm) - 500 sheets per package
C1853A	Premium InkJet heavyweight paper - A4 size (21.0cm x 29.7cm) - Coated on both sides - 100 sheets per package
51634Y	InkJet non-glossy LX paper - A size (8.5 x 11-inches) - 200 sheets per package
C1824A	Bright white InkJet paper - A size (8.5 x 11-inches) - 500 sheets per package
C5976A	Bright white InkJet paper - A size (8.5 x 11-inches) - 200 sheets per package
C5976B	Bright white InkJet paper - A size (8.5 x 11-inches) - 250 sheets per package

Paper (Matte)

C7018A	Matte greeting cards (White) - Half fold - A size (8.5 x 11-inches)
C6955A	Professional and flyer paper (Matte) - A size (8.5 x 11-inches) - 50 sheets

Paper (Photo)

C1846A	Photo paper - A size (8.5 x 11-inches) - 20 sheets per package
C6831A	Premium plus glossy InkJet photographic paper - A size (8.5 x 11-inches) - 20 sheets per package

Paper and Other Media**Paper (Photo)**

C6944A	Premium plus glossy InkJet photographic paper - 10.2cm (4in) x 15.2cm (6in) - 20 sheets per package
C6950A	Premium Plus matte inkjet photographic paper - A size (8.5 x 11-inches) - 20 sheets per package
C6979A	Premium glossy photo paper (fast dry time) - A size (8.5 x 11-inches) - 50 sheets per package
C7013A	Colorfast photo paper - A size (8.5 x 11-inches) - 20 sheets per package
C6040A	Premium glossy photo paper - A4 size (21.0cm x 29.7cm) - 15 sheets per package (Europe, Brazil, and Argentina)
C6057A	Premium glossy photo paper - A4 size (21.0cm x 29.7cm) - 20 sheets per package NO LONGER SUPPLIED
C6039A	Premium glossy photo paper (Fast dry time) - A size (8.5 x 11-inches) - 15 sheets per package
C6055A	Deluxe glossy photo paper - A size (8.5 x 11-inches) - 20 sheets per pack - For use with DeskJet KIE-logo printers
C6039A	<i>New Part for C6055A</i>

Paper (Textured)

C7019A	Textured greeting card - White half fold - A size (8.5 inches x 11 inches)
--------	--

Stickers

C6822A	Round re-stickable InkJet stickers - HP bright white 6.35cm (2.5in) round stickers with 3M 'Post-it' adhesive - A size (8.5 x 11-inches) - 10 sheets per package with nine stickers per sheet
C6823A	Square re-stickable InkJet stickers - HP bright white 6.35cm (2.5in) square stickers with 3M 'Post-it' adhesive - A size (8.5 x 11-inches) - 10 sheets per package with nine stickers per sheet

Print Mechanism Parts**Arm**

146	C4530-40261	Carriage access door sensor arm
-----	-------------	---------------------------------

Belt

147	C4530-40238	Carriage belt
-----	-------------	---------------

Bracket

148	C4530-40260	Carriage access door sensor housing / bracket
-----	-------------	---

Cable

149	C4530-60057	Cable assembly - Has 3 pin (F) connectors - 7.0cm (2.8 inches) long
150	C4530-60091	Trailing cable assembly - Two ribbon cables attached to a plastic mounting bracket - 55.9cm (22 inches) long

Carriage

151	C4530-60086	Carriage assembly - Includes trailing cable assembly
-----	-------------	--

Gear

152	C4530-40206	LFA gear cluster (Dual gear)
-----	-------------	------------------------------

Gear Assembly

153	C4530-60287	Gear assembly - Numerous gears in a single assembly - Installed on side of paper path module
-----	-------------	--

Idler Assembly

154	C4530-60136	Idler pulley assembly - Holds right end of carriage belt
-----	-------------	--

Ink Supply Station

155	C4530-67817	Ink supply station assembly
-----	-------------	-----------------------------

Latch

156	C4530-67807	Cartridge latch assembly - Holds cartridges in the carriage
-----	-------------	---

Motor

157	C4530-60002	Carriage motor assembly
158	C4530-60004	Paper advance motor

Print Mechanism Parts**Paper Path Module**

159 C4530-67810 Paper path module - Large assembly that contains all parts related to paper feed and paper advance mechanisms

Plate

160 C4530-00112 Carriage Plate - Large metal structure where Carriage and Carriage Motor will be mounted

Preloader

161 C4530-60092 Pre-loader assembly - Mounted to bottom of carriage base

Print Mechanism

162 C4530-69801 Print mechanism core - Includes carriage base assembly, carriage plate assembly, carriage shaft, carriage belt, paper path module, base assembly - Does not include other items such as service station or ink supply station

Retainer

163 C4530-00091 Carriage shaft retainer - Metal spring which holds carriage shaft in place

164 C4530-40288 Carriage belt retainer

165 C4530-40290 Encoder retainer (snubber)

Sensor

166 1990-2081 Media sensor - Used to detect transparencies

167 C4530-60043 Edge sensor assembly - Includes cable

168 C4530-60130 Carriage access door sensor assembly - Includes cable

Shaft

169 C4530-20042 Carriage shaft - Guides printer carriage

Slide

170 C4530-40293 Carriage base slider

Spring

171 C4530-00033 Encoder strip spring

172 C4530-00105 Carriage belt spring

Strip

173 C4530-80004 Encoder strip - Used to determine carriage position

Service Station Parts**Cap**

174 C4530-60121 Cartridge cap - Keeps cartridges from drying out when carriage is parked in the service station

Reservoir

175 C4530-67806 Reservoir assembly - Stores excess black ink

Service Station

176 C4530-67803 Print cartridge service station assembly - Includes motor, cap assembly, and wipers

Spring

177 C4530-00045 Service station cap spring

178 C4530-00096 Bucket spring for service station assembly

Transfer Assembly

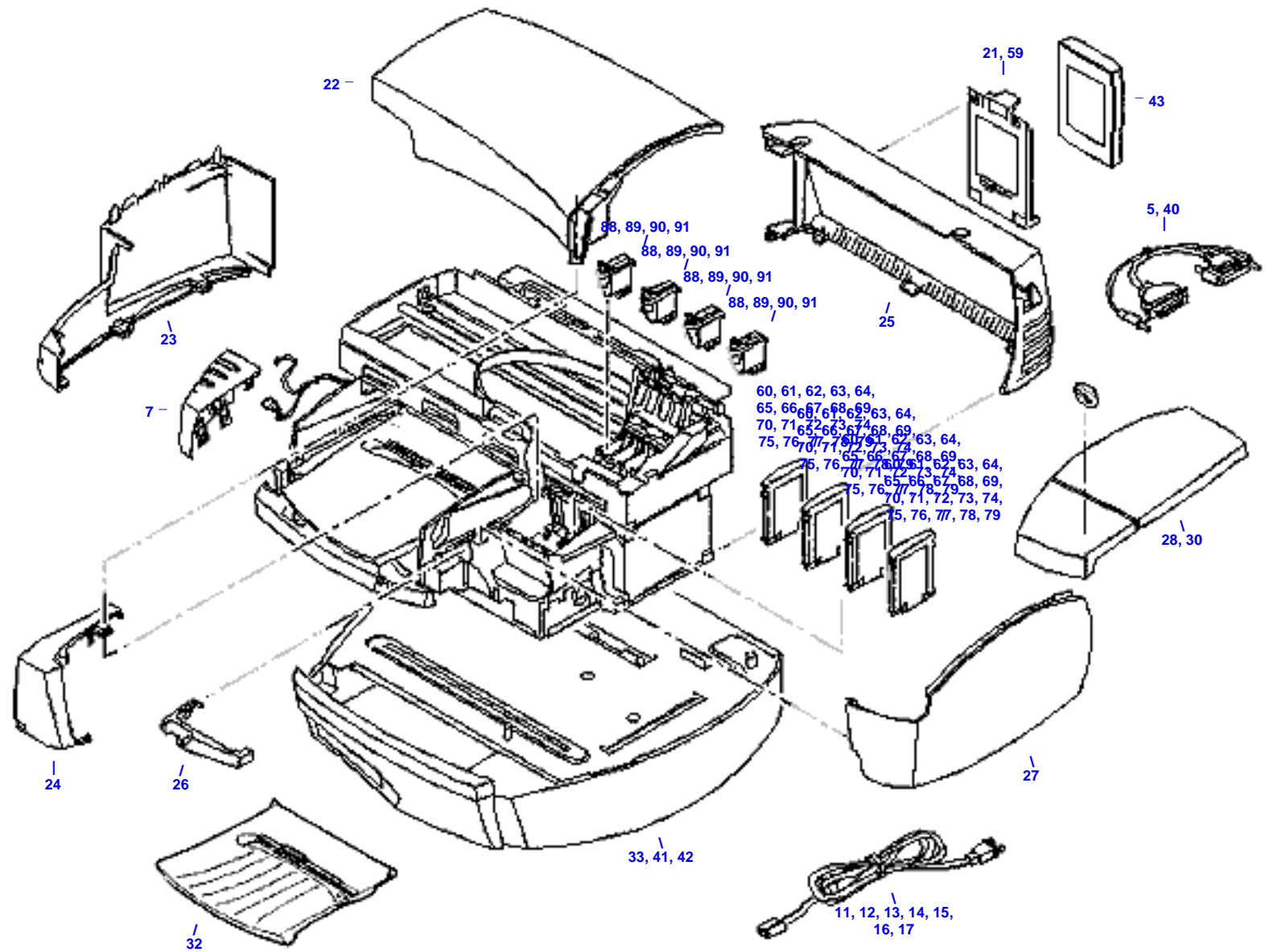
179 C4530-67804 Transfer assembly - Transfers excess black ink to the ink reservoir

Wiper

180 C4530-60059 Color wiper - Cleans ink and debris from print nozzles

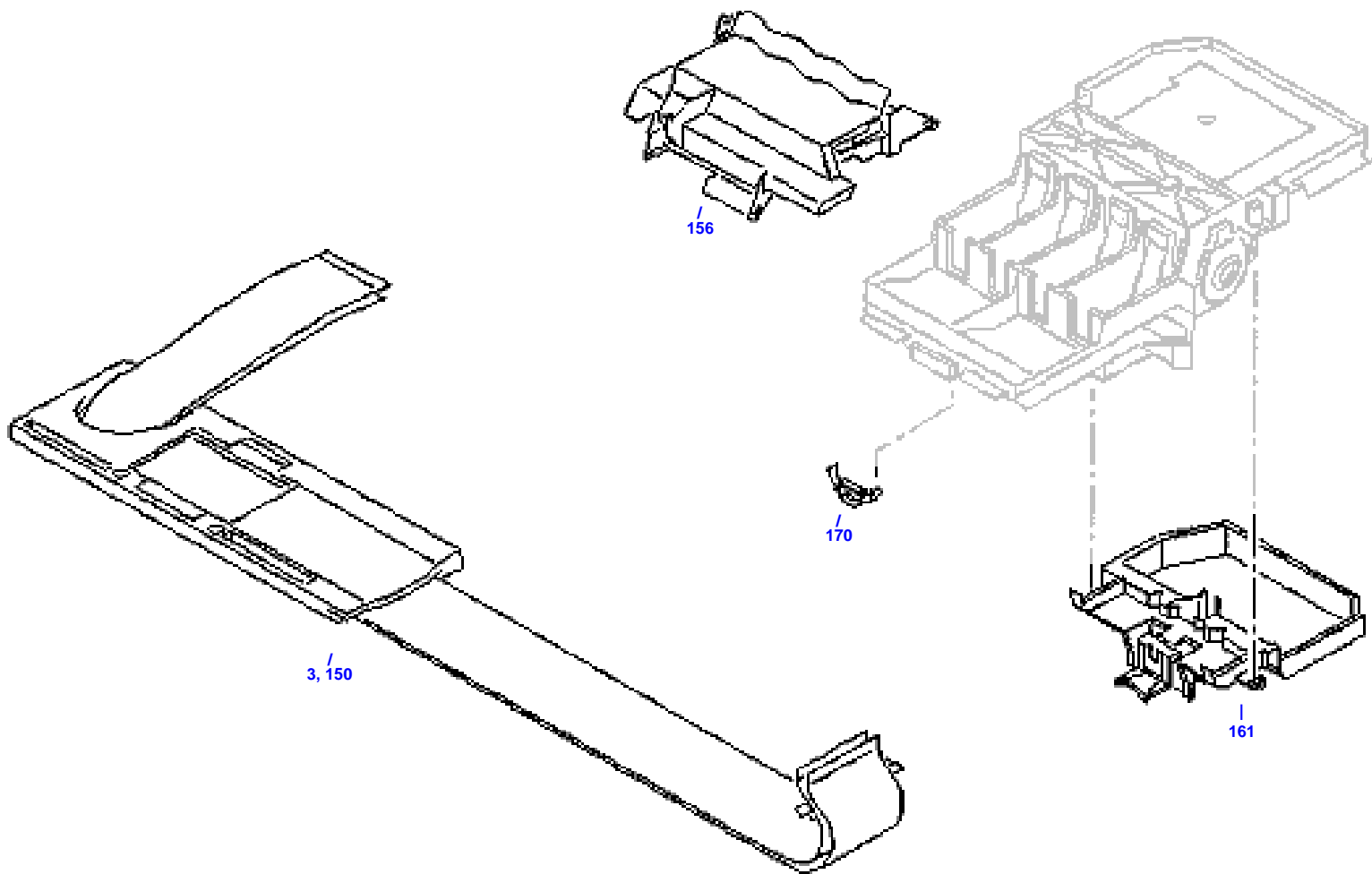
181 C4530-60060 Black wiper - Cleans ink and debris from print nozzle

Main Assembly Locator

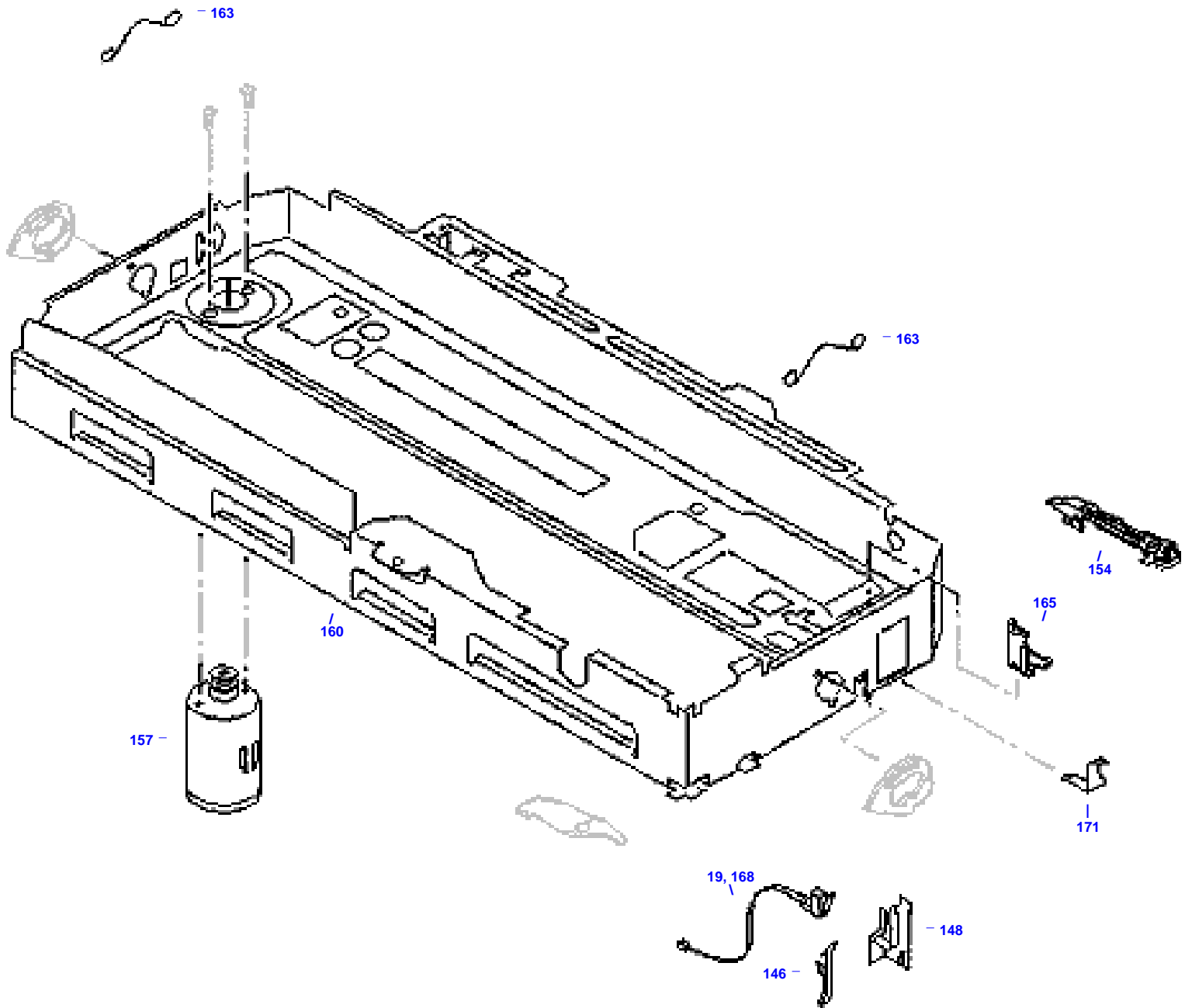


Carriage Base Assembly

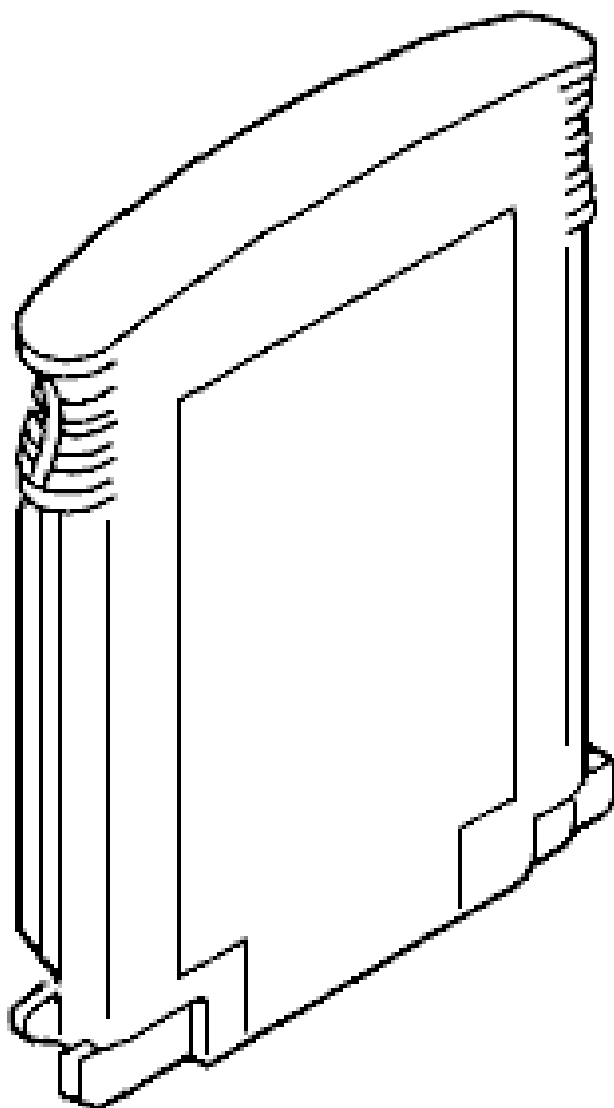
 Carriage Base Assembly ^{- 151}



Carriage Plate Assembly



Ink Cartridge Assemblies



Ink Cartridges:



– 60, 61, 62, 63, 64,
65, 66, 67



– 68, 69, 70, 71



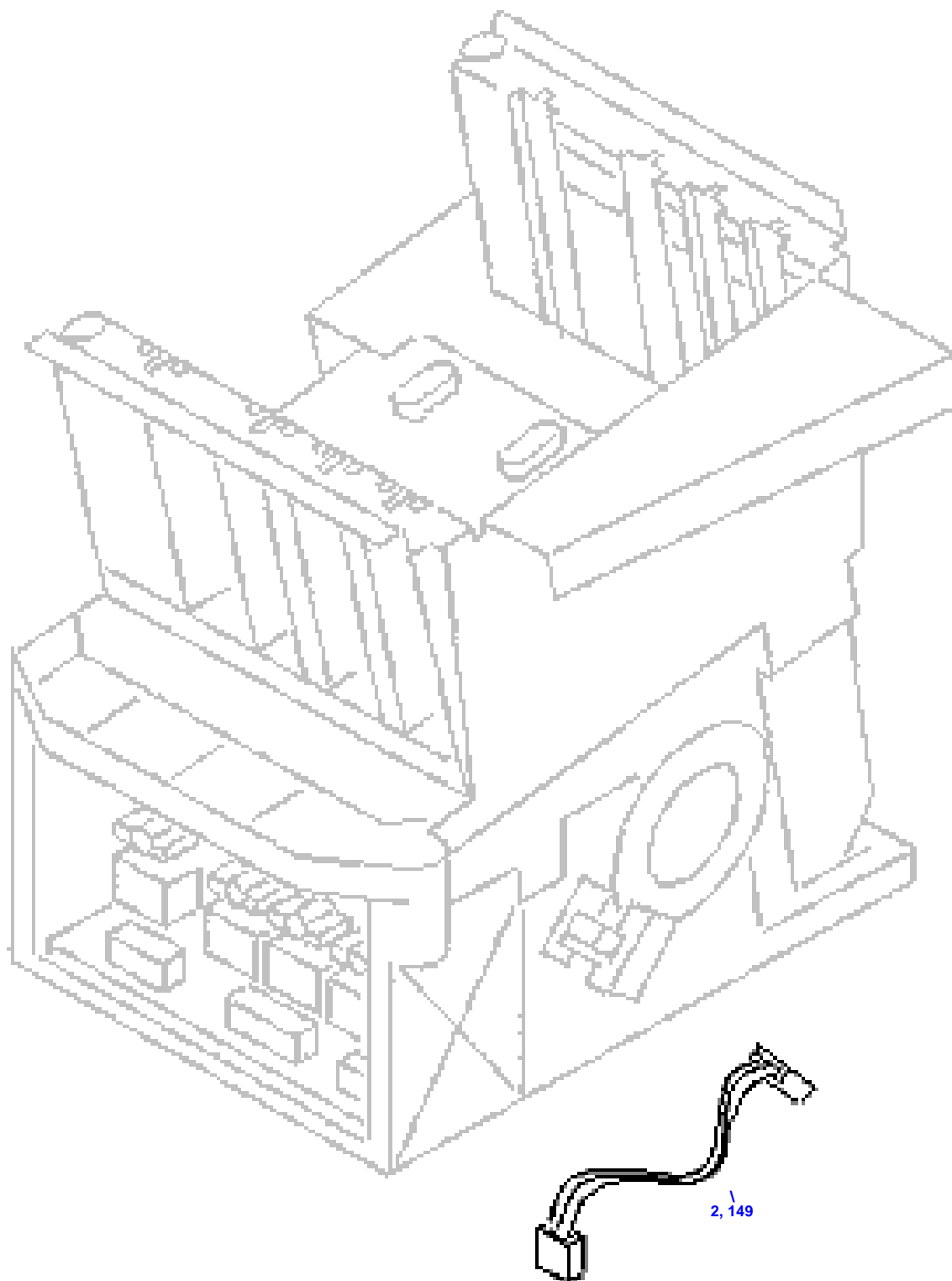
– 72, 73, 74, 75



– 76, 77, 78, 79

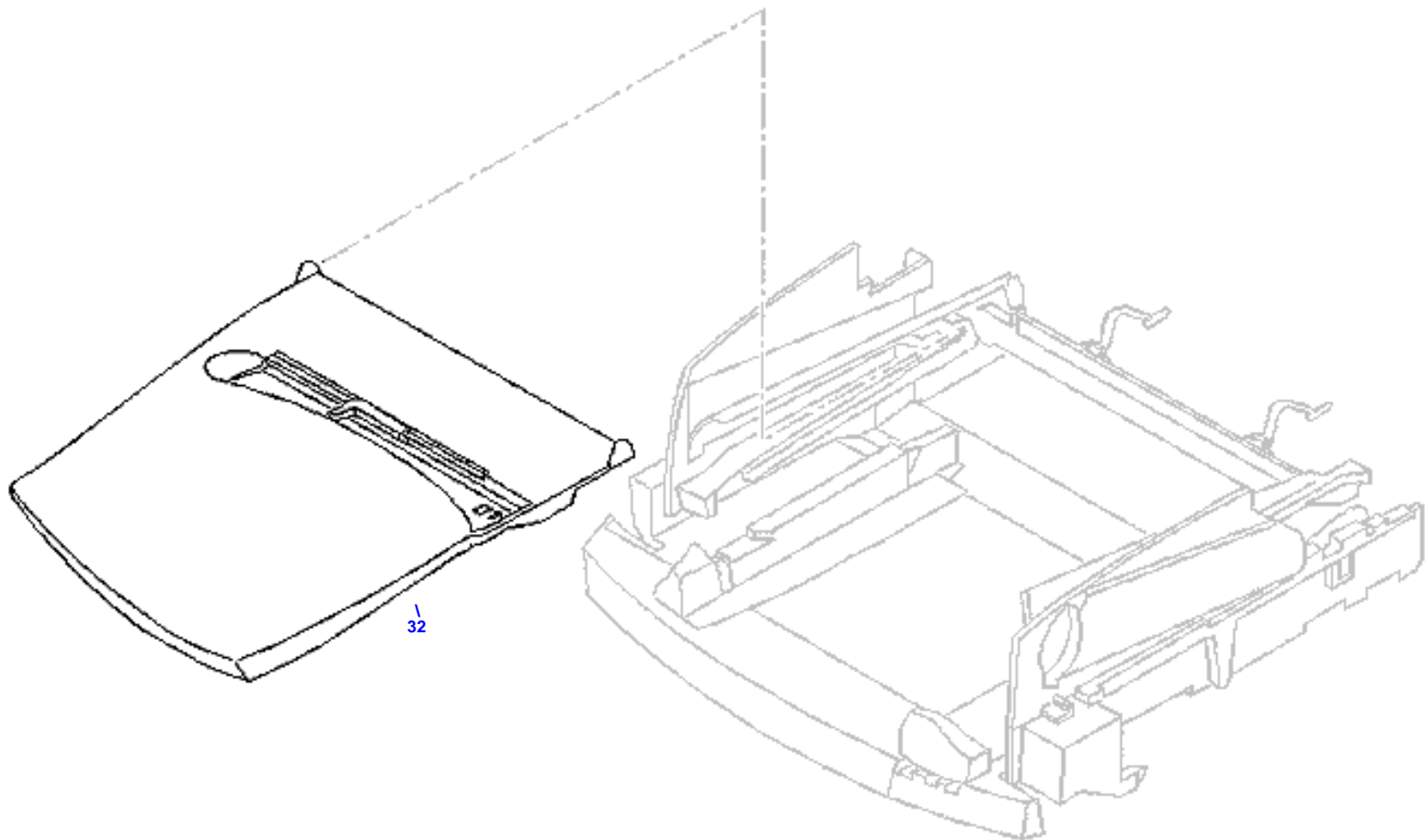
Ink Supply Station Assembly

 **Ink Supply Station Assembly** - 103, 155

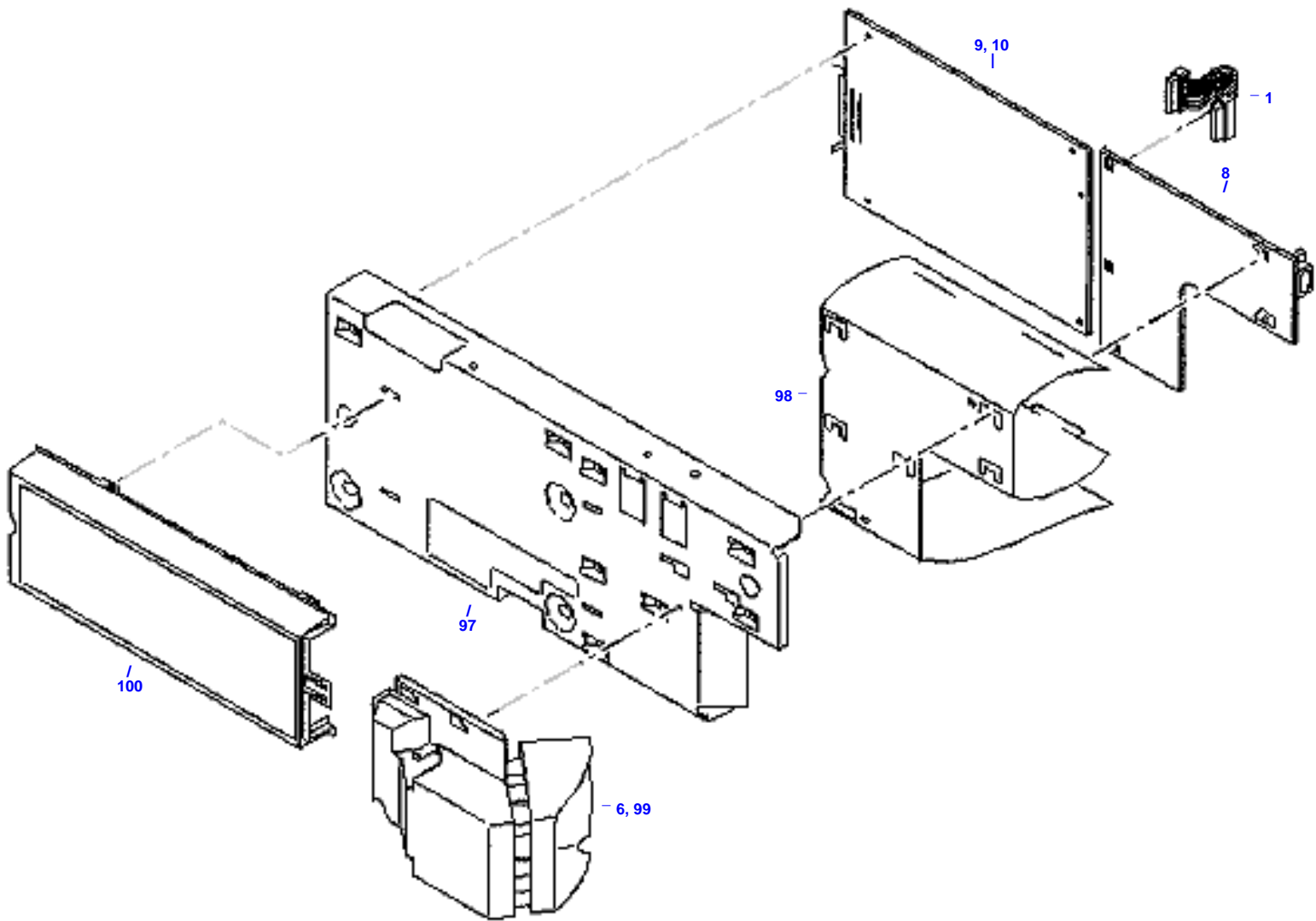


Input/Output Tray Assembly

 **Input/Output Tray Assembly** - 31

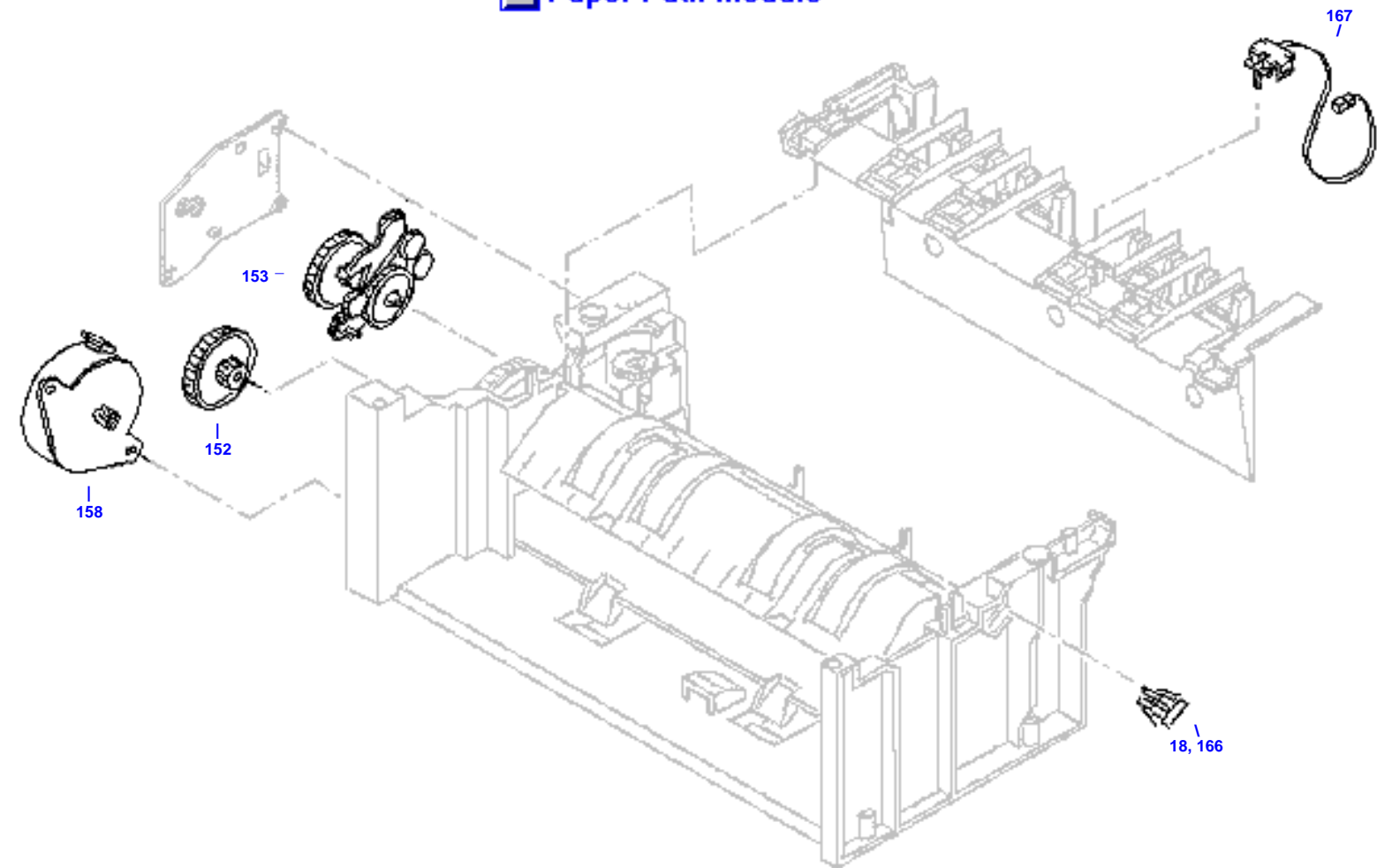


Main Logic Board, Power Supply Board, Fan Assembly



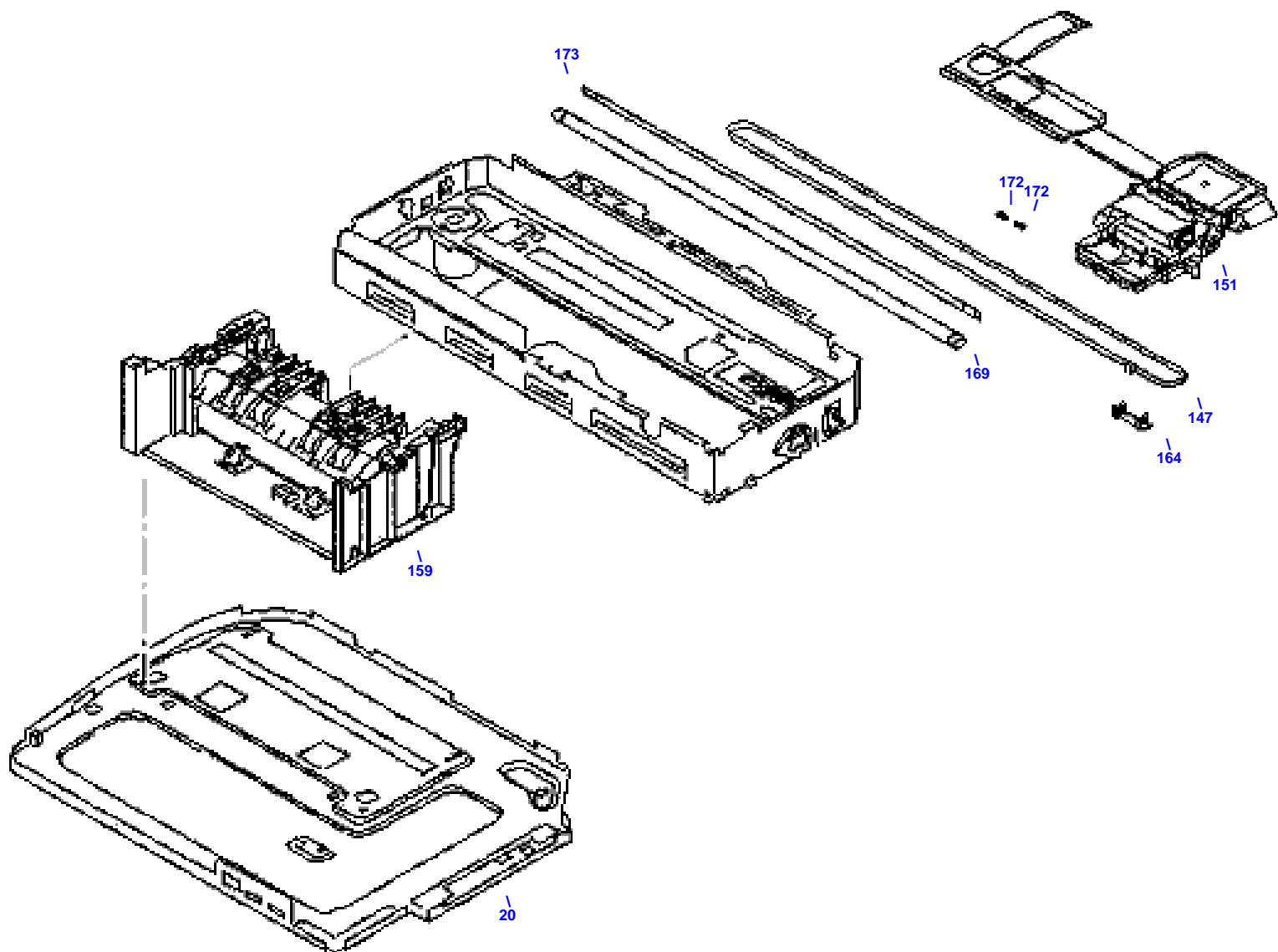
Paper Path Module

 Paper Path Module - 159

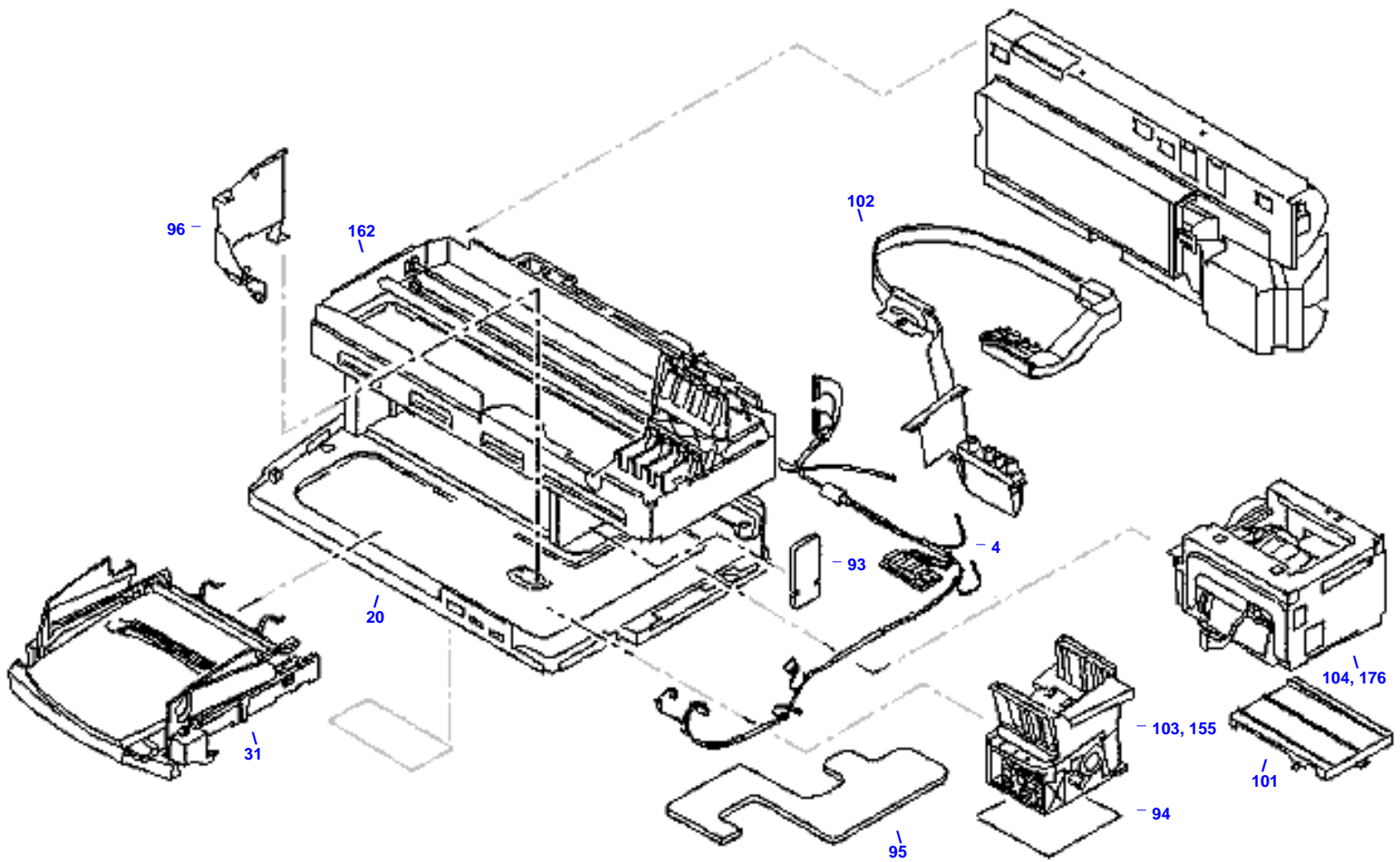


Print Mechanism (Core)

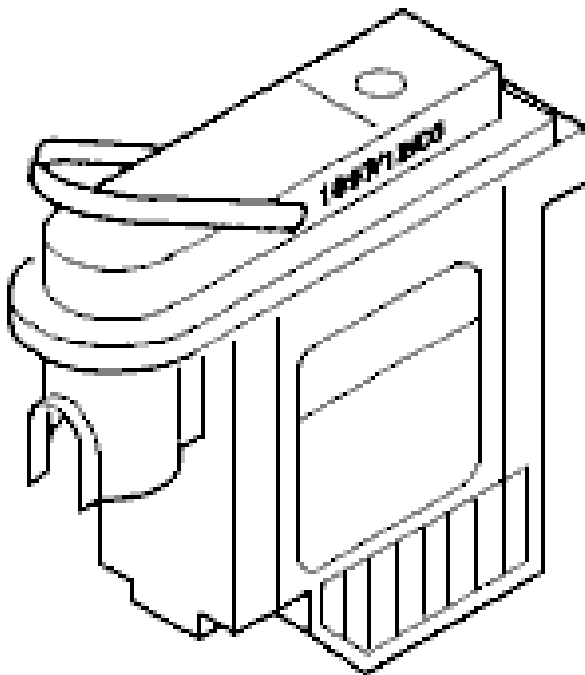
 **Print Mechanism Core** - 162



Print Mechanism (Overall)



Printhead Assemblies

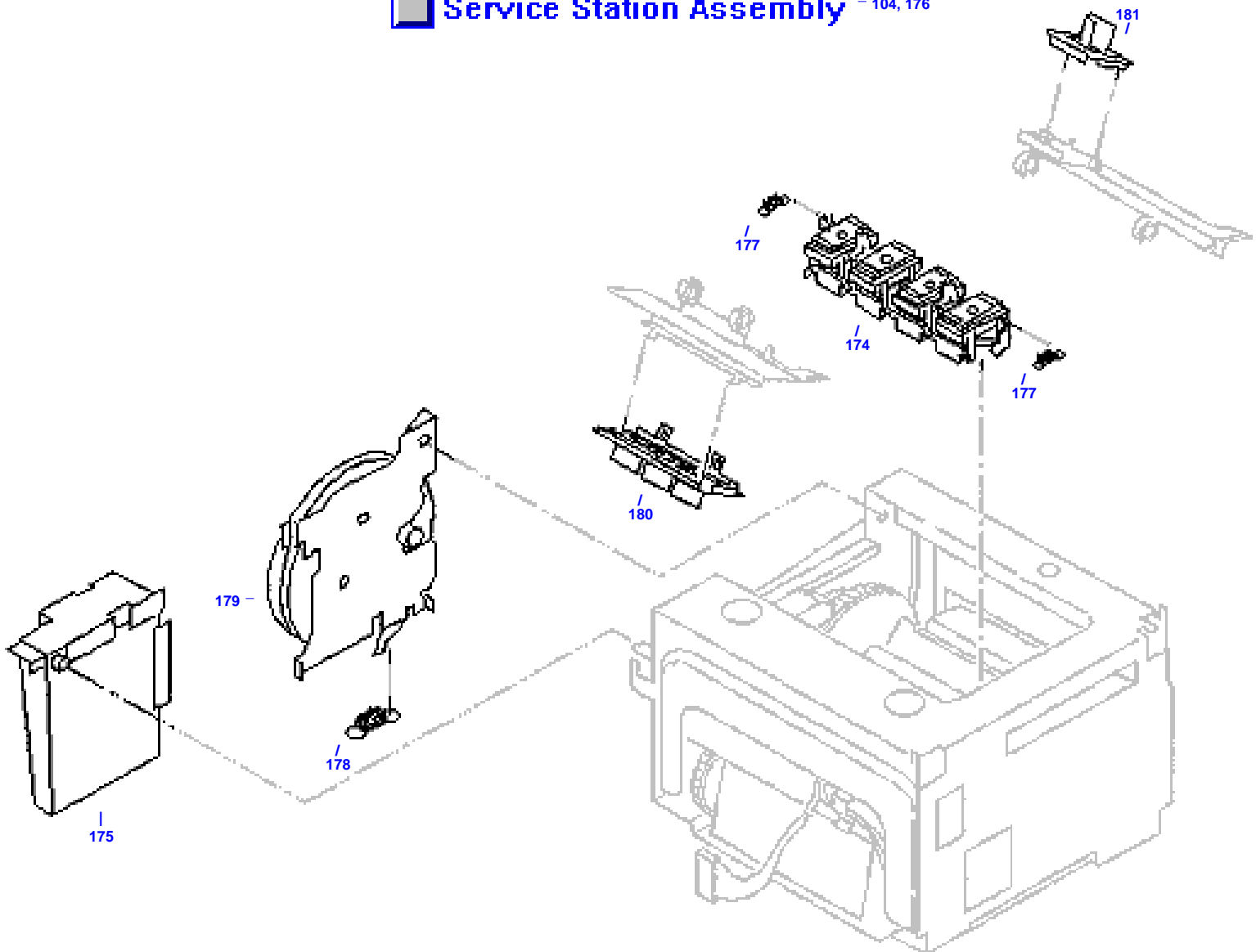


Printheads:



Service Station Assembly

 **Service Station Assembly** - 104, 176





HP Parts Reference Guide

<http://www.hp.com/go/parts>

HP PartSurfer

<http://partsurfer.hp.com>

HP Parts Ordering Information

<http://www.hp.com/go/hpparts>

HP Parts Questions/Comments

<http://partsurfer.hp.com/contactus.htm>

Free Manuals Download Website

<http://myh66.com>

<http://usermanuals.us>

<http://www.somanuals.com>

<http://www.4manuals.cc>

<http://www.manual-lib.com>

<http://www.404manual.com>

<http://www.luxmanual.com>

<http://aubethermostatmanual.com>

Golf course search by state

<http://golfingnear.com>

Email search by domain

<http://emailbydomain.com>

Auto manuals search

<http://auto.somanuals.com>

TV manuals search

<http://tv.somanuals.com>