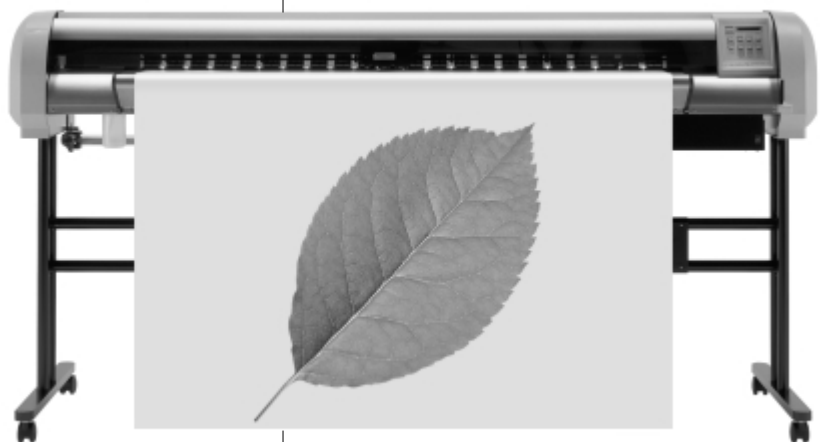


MUTOH

USER GUIDE

Full Color Inkjet Printer
FALCON Graphics
RJ-6000 Series
Functions Edition



RJ600EX-B-01

USER GUIDE

RJ-6000 Series

**Full-Color Inkjet Printer
Functions Edition**

Mutoh Industries Ltd.

1-3 Ikejiri 3-chome
Setagaya-ku, Tokyo 154-8560
Japan

Types and Usage of User Guide

This product is supplied with the following three types of User Guide:

Basic Edition

This manual deals with unpacking, installation, preparing for printing, test printing, direct access key operations from online printing, menu maps, daily maintenance, trouble shooting, etc.

All the important essentials for every-day use of the printer are here, so please be sure to read it.

Functions Edition

This manual which you now have open is the **Functions edition of the User Guide.**

This explains the printer's functions. Essential information for using this printer, such as functions and operations, are explained in detail. "What does this function do to the printing?" and "Which function do I use when I want to print like this?" are separated for easy searching. Details and technical terms for the fitting of options and error messages are included for you to read as required.

Drivers Edition

You may need to install drivers for output from computer. The Drivers Manual explains about installation and settings to suit your computer operating system. Please read it when you are installing drivers.

This equipment complies with radio interference regulations for data processing devices. When used in a residential area, this equipment may cause radio interference, in which case the user may be required to take appropriate corrective measures.

#Concerning radio interference

This product generates weak radio signals and may interfere with radio and television reception if not installed and used correctly. If you suspect that it is causing interference with radio and television reception, try one or more of the following measures:

- Change the direction of your reception antennae and feeders
- Change the direction of this product
- Change the distance between your receiver and this product
- Use separate power supply circuits for your receiver and this product

#Trademarks mentioned in this manual

- MUTOH, RJ-6000, FALCON, FALCON Graphics, MH-GL, MH-GL/2, MH-RTL and RTL-PASS are trademarks or product names of MUTOH Industries Ltd.
- HP, HP-GL, HP-GL/2, HP-RTL are trademarks or product names of Hewlett-Packard Inc.
- Centronics, Bitronics are trademarks or product names of Centronics Data Computer Corp.
- Windows 95, Windows 98, Windows NT 4.0 are trademarks or product names of Microsoft Corp.
- DOS-V, PC-DOS are trademarks or product names of IBM (International Business Machines Inc.)
- NetWare is a trademark or product name of Nobel Inc.
- EtherTalk is a trademark or product name of Apple Computer Inc.
- Other names of companies or products are trademarks or product names of the respective companies.

! IMPORTANT

- **Details of this product and this manual are protected by copyright held by this company and except for legitimate use by individuals, may not be copied, reproduced or distributed in whole or in part.**
- **Details contained in this manual may be subject to future alteration without notice.**
- **Details contained in this manual are believed to be correct but please contact this company or your dealer if you suspect an error or a point is not clear.**
- **In no event will this company be responsible for the consequences of using this product or this manual.**

September 2000

Published: Mutoh Industries Ltd., 1-3 Ikejiri 3-chome, Setagaya-ku, Tokyo 154-8560, Japan
Copyright © September 2000, Mutoh Industries Ltd. All rights reserved.

Introduction

Thank you for purchasing a RJ-6000 Series (RJ-6000-43, RJ-6000-54, RJ-6000-62) Full-color Inkjet Printer.

This RJ-6000 Series is a full-color inkjet printer equipped with 360 dpi, 720 dpi and simulated 1440 dpi resolution, that supports Centronics (bi-directional parallel interface, IEEE1284 compatible, with Nibble and ECP modes) and, optionally, Ethernet interfaces.

This User Guide deals with printer installation and operation methods as well as usage precautions. In order to use the printer safely and effectively, please read the User Guide carefully before you use the printer and then use it correctly.

Keep the manual beside the printer. It is sure to be useful in case something that you are not sure about should occur while you are using the printer.

! IMPORTANT

- **Because the RJ-6000 Series is an inkjet printer, it needs to be cleaned and inspected periodically. User registration and a service contract are recommended for prompt detecting trouble promptly and maintaining printing quality in top condition. For details, contact your local Mutoh dealer.**

In order to operate the printer's functions, first look up the operation you wish to perform by referring to "When you want to do this".

Then check the explanation of the function under "Understanding the functions".

Next, refer to the actual operation under "How to set parameters".

Contents

Types and Usage of User Guide	2
Introduction	4
Contents	5
Control Panel and Menu	9
Control Panel for Menu Mode Operations	10
Menu Mode Operations	11
Menu Levels	13
When You Want to Do This	15
When You Want to Do This	16
To use roll media efficiently	16
To speed up printing time	16
To improve printing quality	17
To connect with Centronics	17
To connect with network (Ethernet)	17
To cut roll media	17
To place printed output in a specified position	18
To use color effectively	19
To check the status of the printer	19
To check printer set-up	20
Explanation of Functions	21
Understanding the Functions	22
Command Settings	22
Function Setting	24
Centronics Setting	28
Network Setting	28
Utility Settings	29

Contents

How to Set Parameters	31
Command Settings	33
Command	33
Prot Area	34
Position	35
Terminator	36
Resolution	37
Online Timer	38
Overwrite	40
Function Settings	41
Ink Dry Time	41
Halftone	43
CMY -> Black	44
Scale	45
FMirror	46
Direction	47
Cut Position	48
Media Cut	49
Copy	50
Ink Density	51
Distance Adjustment	52
Centronics Settings	55
Mode	55
Timing	56
Network Settings	57
IP Address	57
Utility Settings	59
Error Display	59
Initial: All	60
Initial: Command	62
Initial: Function	64
Initial: Centronics	66
Initial: Network	68
Dump	70
Head Wash	72
Data Order	75
Accuracy Adjustment Plot	76

Installation of Options	79
Network Interface Board Installation	80
Memory Extension	82
Details of the Display	85
Printer Status Display	86
Messaged Errors and Countermeasures	88
Data error Display and Countermeasures	91
Command Error Display and Countermeasures	92
Errors Requiring a Restart	94
Errors Requiring Restart that Involve the Mechanical System	94
Errors Requiring Restart that Involve the CPU System	96



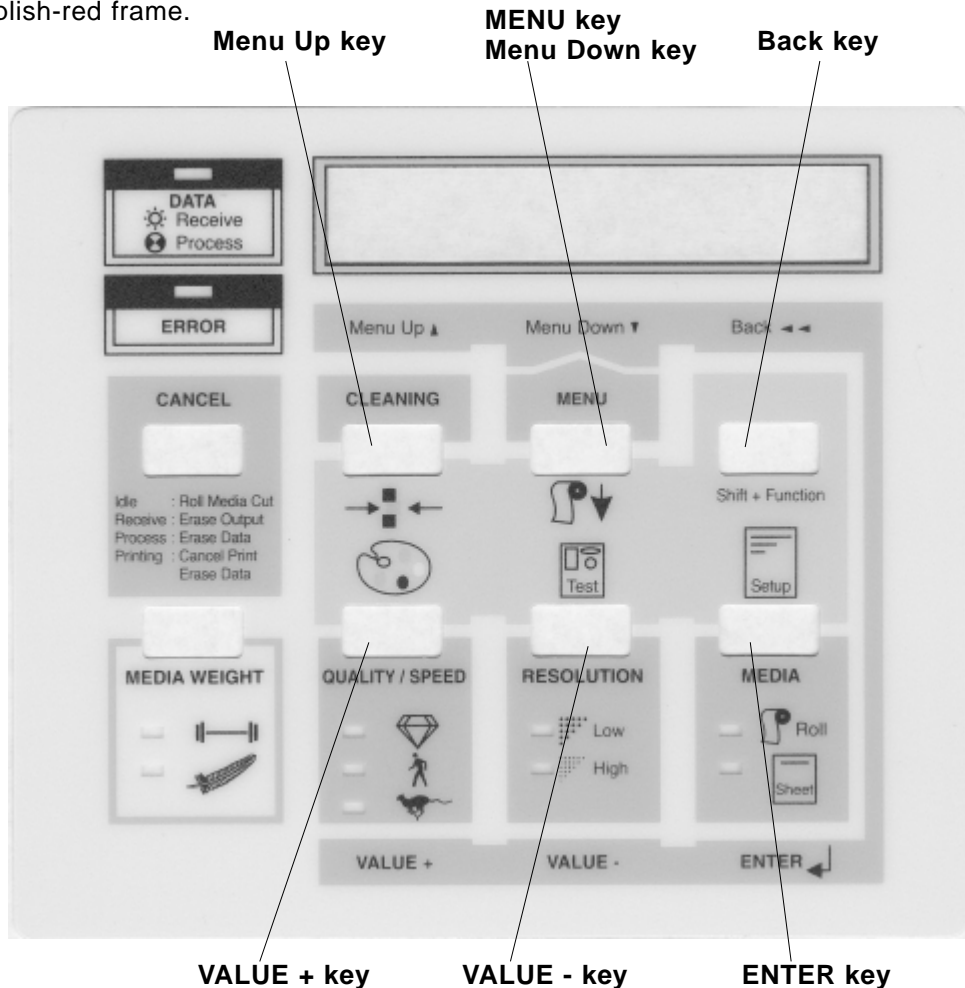
Control Panel and Menus

This section gives an overview of the control panel for various types of menu settings and explains the menu structure.

Control Panel for Menu Mode Operations	PAGE 10
Menu Mode Operations	PAGE 11
Menu Levels	PAGE 13

Control Panel for Menu Mode Operations

For all types of menu operations, shift to menu mode by pressing the [Menu] key. This switches the functions of the keys to the functions shown in the purplish-red frame.



Direct access keys do not work in menu mode.

Menu mode will be cancelled if no key operation has been made for three minutes.



REFERENCE

- For direct access key operations, see the section on "Direct Access Keys" in the Basic Edition of the User Guide.



Menu Mode Operations

Shift to setting mode for practical functions than cannot be set up by direct access keys.

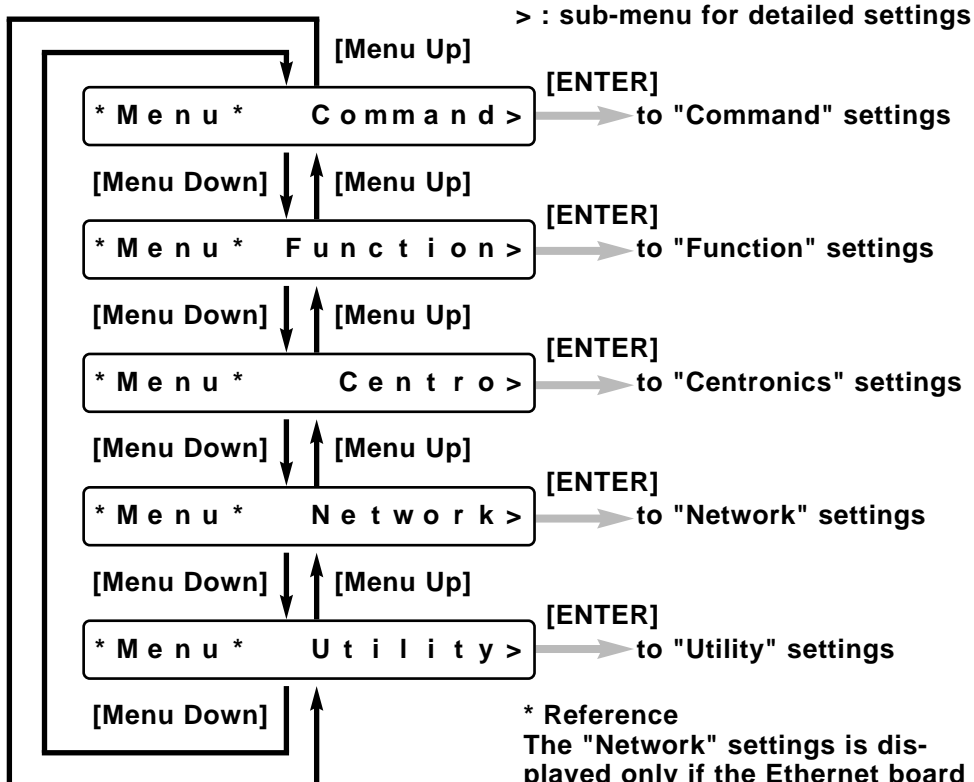
Step 1

Press the [MENU] key to shift to setting mode. Direct access key operation does not work.

* Menu * Command >

Step 2

By pressing the [MENU] key, the control panel keys take on the functions shown in purplish-red. Press the Select setting mode by pressing the [Menu Down] key or the [Menu Up] key.





Menu Mode Operation

Step 3

- * Press the **[ENTER]** to proceed with the setting
- * The part of the display that is flashing can be altered. To change a setting, select a value by pressing the **[VALUE +]** or **[VALUE -]** keys.
- * The setting will not change unless the **[ENTER]** key is pressed.
- * If the set-up is complete, press the **[Menu Up]** key. If there is no key operation in Menu setting mode for 3 minutes, direct access key input standby (permanent display) is restored.

Menu Levels

* Menu * Command >

Command	RTL-PASS / MH-GL, GL2 / MH-GL2
Plot Area	Normal / Expand
Position	P1 / (hardclip) LL / Full
Terminat	Special / Normal
Resolut.	300 dpi / 360 dpi / 720 dpi
Online Timer	Off / 10 sec to 30 sec to 800 sec
Overwrite	Last / Mix

* Menu * Function >

Ink Dry Time	0 sec to 5 sec to 30 sec to 60 min
Halftone	Speed / Quality / Thin
CMY->BLACK	No / Yes
Scale	25% to 100% to 400%
Mirror	Off / Y On
Direct.	Command / MAX-MIN
Cut Pos.	Data / Standard
Media Cut	Auto / Manual / Off
Copy	1 to 99
Ink Density	Normal / Thin / Faint
Dist. Adj.	No / Clear / Change / Confirm

* Menu * Centro >

Mode	Centro / Bitro
Timing	A-B / B-A

* Menu * Network >

IP Address	000.000.000.000 to 192.034.043.015 to 255.255.255.255
------------	---

* Menu * Utility >

Error Display	On / Off
Initial	OK / No
..... All	OK / No
..... Command	OK / No
..... Functi.	OK / No
..... Centro	OK / No
..... Network	OK / No
Dump	Start-End / All (cancel with [CANCEL] key)
Data Order	5Lc6Lm / 5Lm6Lc *This item is effective later than the firmware version 1.04.
Head Wash	Yes / No



When You Want to Do This

This section makes it easy for you to look up what sort of function to use when you want to do a particular sort of operation. It asks the questions and then tells you on which page of which User Guide you can find the answers.

When You Want to Do This

PAGE 16

When You Want to Do This

When You Want to Do This

To use roll media efficiently

Question	Answer	Explanation	Operation
I want to print without making waste spaces on the media.	Set "Direction" to "MAX-MIN" in "Function" settings.	Page 25	Page 47
I want to make a print that aligns the data with spaces.	Set "Direction" to "Command" in "Function" settings.	Page 25	Page 47
I want to cut the media to the size that has been printed.	Set "Cut Position" to "Data" precedence in "Function" settings.	Page 26	Page 48
I want to cut the media to the standard size.	Set "Cut Position" to "Standard" size in "Function" settings.	Page 26	Page 48
I want to make a series of prints on one sheet without cutting.	Set "Media Cut" to "Off" in "Function" settings.	Page 27	Page 49

To speed up printing time

Question	Answer	Explanation	Operation
If I want to shorten the time between finishing the print and cutting the roll media?	Change "Ink Dry Time".	Page 24	Page 41
If I want to print quickly even if resolution is reduced?	Light up the Low LED by pressing the [RESOLUTION] key.	Basic Page 61	←
If I want to print quickly even if graphic quality is reduced?	Set "Harftone" to "Speed" diffusion for the user number that you want to change.	Page 24	Page 43
If I want to print faster without reducing resolution or quality?	Change the interface connection (from Centronics to Network)	Page 80 Page 28	← Page 57

To improve printing quality

Question	Answer	Explanation	Operation
If I want to give priority to quality rather than speed?	Light up the Quality LED by pressing the [QUALITY / SPEED] key.	Basic Page 62	←
If I want to give priority to graphic quality rather than speed?	Set "Harftone" to "Quality" diffusion for the user number that you want to change.	Page 24	Page 43

To connect with Centronics

Question	Answer	Explanation	Operation
If I want to have bidirectional communication with Centronics?	Change the Centronics mode setting to "Bi Centronics".	Page 28	Page 55
If I want to change Centronics ACK/BUSY timing control?	Change "Timing" in "Centronics" settings.	Page 28	Page 56

To connect with network (Ethernet)

Question	Answer	Explanation	Operation
If I want to change the IP address?	Change "IP address" in "Network" settings.	Page 28	Page 57

To cut roll media

Question	Answer	Explanation	Operation
If I want to feed and cut the finished part of a print?	Check that printing data are not being received then feed the media by pressing the [MENU] key while you are pressing the [Shift] key and cut the roll media by pressing the [CANCEL] key.	Basic Page 67 Basic Page 64	← ←

When You Want to Do This

To place printed output in a specified position

Question	Answer	Explanation	Operation
If I want to print in the middle of the page with maximum and minimum data values?	Change "Direction" to "MAX-MIN".	Page 25	Page 47
If I want to print on media of a different size from that specified in the data.	Set "Scale". * Examples of scales between standard sizes: • A4 > A3, A3 > A2, A2 > A1, A1 > A0, B4 > B3, B3 > B2, B2 > B1, B1 > B0 : 141% • A4 > B4, A3 > B3, A2 > B2, A1 > B1, A0 > B0 : 122% • B4 > A3, B3 > A2, B2 > A1, B1 > A0 : 115% • B0 > A0, B1 > A1, B2 > A2, B3 > A3, B4 > A4 : 86% • A0 > B1, A1 > B2, A2 > B3, A3 > B4 : 81% • A0 > A1, A1 > A2, A2 > A3, A3 > A4, B0 > B1, B1 > B2, B2 > B3, B3 > B4 : 70%	Page 24	Page 45
If I want to print with reversed data?	Set "Mirror" for the user number you want to change.	Page 25	Page 46

To use color effectively

Question	Answer	Explanation	Operation
If I want to print after changing the graphic quality?	Press the [QUALITY / SPEED] key and select "Quality", "Normal" or "Speed".	Basic Page 62	←
	Change "Harftone" There are three type of tone processing: "Speed" diffusion, "Quality" diffusion and "Thin" diffusion.	Page 24	Page 43
If I want to print after changing the resolution.	Change "Resolution".	Page 23	Page 37
If I want to print after mixing overlapping colors (over print)?	Change "Overwrite".	Page 23	Page 40

To check the status of the printer

Question	Answer	Explanation	Operation
If I don't want non-problematical errors to be displayed?	Set "Error Display" to "Off" in "Utility" settings.	Page 29	Page 59
If I want to restore error display without switching off the power?	Set "Error Display" to "On" in "Utility" settings.	Page 29	Page 59

When You Want to Do This

To check printer set-up

Question	Answer	Explanation	Operation
If I want to know what are the current printer settings?	Print the setup list print by pressing the [MEDIA] key while you are pressing the [Shift] key.	Basic Page 66	←
If I want to restore the original factory Command settings?	Initial "Command" under "Initial" in "Utility" settings.	Page 29	Page 62
If I want to restore the original factory Function settings?	Initial "Function" under "Initial" in "Utility" settings.	Page 29	Page 64
If I want to restore the original factory Function settings?	Initial "Centronics" or "Network" under "Initial" in "Utility" settings.	Page 30	Page 66 Page 68
If I want to restore all of the printer's original factory settings?	Initial "All" under "Initial" in "Utility" settings	Page 29	Page 60

Explanation of Functions

This section explains the content of each function in detail and gives the page number for you to look it up easily in the User Guide.

Understanding the Functions

PAGE 22

Understanding the Functions

Command Settings

Name of Function	Reference Page
<p>Command</p> <p>This specifies the commands and conditions that are transferred from the computer. The following commands are supported:</p> <ul style="list-style-type: none"> • RTL-PASS: • MH-GL, GL2 (MH-RTL): Mutoh MH-GL/MH-GL/2 (MH-RTL) commands (conform to Hewlett-Packard HP-GL, HP-GL/2 (HP-RTL) commands) • MH-GL2 (MH-RTL): Mutoh MH-GL/2 (MH-RTL) commands (conform to Hewlett-Packard HP-GL/2 (HP-RTL) commands) <p>(MH-GL, GL2 printing unit is 0.025 mm)</p>	<p>Page 33</p>
<p>Plot Area</p> <p>This specifies environmental functions for the printer. It specifies the printing area (hardclip area) for the media size.</p> <ul style="list-style-type: none"> • Normal: Specifies the standard printing area for RJ-6000 Series printers <p style="padding-left: 20px;">Distance from edges of media:</p> <ul style="list-style-type: none"> <li style="padding-left: 40px;">Cut sheet - Front 25 mm, Back 20 mm, Sides 10 mm <li style="padding-left: 40px;">Roll media - Front 25 mm, Back 20 mm, Sides 10 mm • Expanded: Specifies a printing range for the RJ-6000 printer that is interchangeable with Mutoh XP Series pen plotters. <p>However, since the maximum printing range is 1351.6 mm for a 54-inch printer and 1554.8 mm for a 62-inch printer, if expanded mode is specified with media wider than 1361.6 mm for a 54-inch printer, or 1564.8 mm for a 62-inch printer, the left and right margin shown below will be differed.</p> <p style="padding-left: 20px;">Distance from edges of media:</p> <ul style="list-style-type: none"> <li style="padding-left: 40px;">Cut sheet - Front 25 mm, Back 20 mm, Sides 5 mm <li style="padding-left: 40px;">Roll media - Front 25 mm, Back 20 mm, Sides 5 mm <p>(media width 54 inch: 1361.6 mm or less, 62 inch: 1564.8 mm or less)</p>	<p>Page 34</p>

Name of Function	Reference Page
<p>Position</p> <p>In the case of MH-GL, GL2 (MH-RTL) and MH-GL/2 (MH-RTL), this specifies the initial pen position in printer commands.</p> <ul style="list-style-type: none"> • P1: The initial position is P1 (scaling point) • LL: The initial position is at the lower left of the hardclip. • Full: The initial position is at the lower left of the media. 	Page 35
<p>Terminator</p> <p>In the case of MH-GL, GL2 (MH-RTL) and MH-GL/2 (MH-RTL), this specifies a function that is different from the original command function as the terminator with respect to some commands in each of the printer's command modes.</p> <ul style="list-style-type: none"> • Normal: Only the original command is used • Special: Recognizes end of data as the terminator SP0; (SP;) 	Page 36
<p>Resolution</p> <p>In the case of MH-GL, GL2 (MH-RTL) and MH-GL/2 (MH-RTL), this specifies the resolution for image data in MH-RTL commands.</p> <ul style="list-style-type: none"> • 300 dpi: Sets image data resolution to 300 dpi • 360 dpi: Sets image data resolution to 360 dpi • 720 dpi: Sets image data resolution to 720 dpi 	Page 37
<p>Online Timer</p> <p>When online data is broken off, this specifies a certain period of time, the elapsing of which is taken to be the end of image data.</p> <ul style="list-style-type: none"> • Online timeout: Off, 10 sec, 20 sec, 30 sec, 40 sec, 50 sec, 60 sec, 90 sec, 120 sec, 150 sec, 180 sec, 210 sec then in 30-sec increments to 720 sec, 750 sec, 780 sec, 800 sec. 	Page 38
<p>Overwrite</p> <p>This specifies functions related to the printer's own environment. Specifies the method for controlling the overwritten portions of a diagram.</p> <ul style="list-style-type: none"> • Last: Overwritten portion takes a color to be printed later • Mix: Overwritten portion takes mixed colors 	Page 40

Understanding the Functions

Function Settings

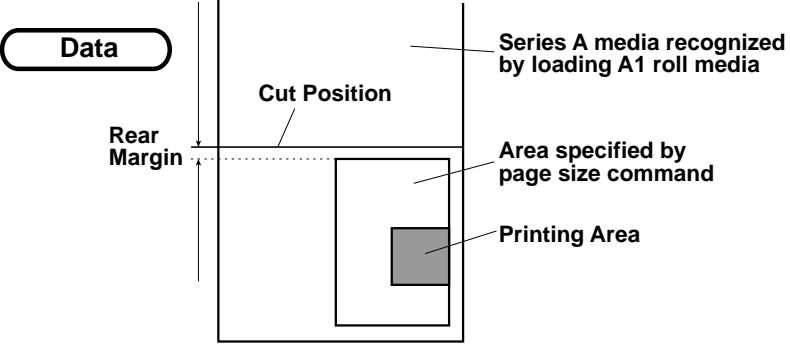
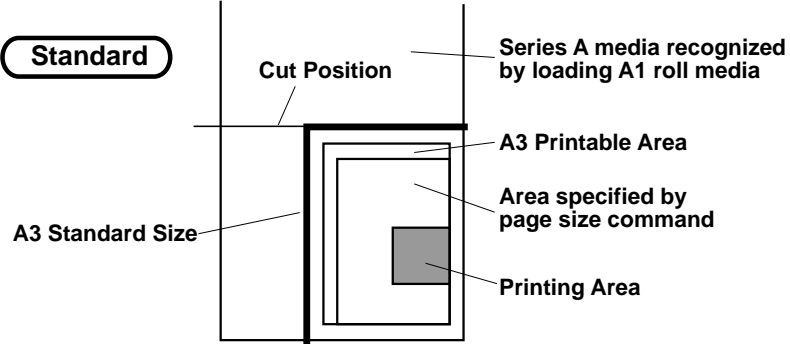
Function Settings

Name of Function	Reference Page									
<p>Ink Dry Time</p> <p>Ink drying times differ according to the type of media. After the printing is finished, roll media is cut off and falls into the ejected media basket. If the ink is not yet dry, the media will be soiled. Ink drying time is the delay to allow the ink to dry between the end of printing and the cutting of the roll media.</p> <ul style="list-style-type: none"> • Ink drying time: 0 sec, 5 sec, 10 sec, 20 sec, 30 sec, 40 sec, 50 sec, 60 sec, 90 sec, 120 sec, 150 sec, 180 sec, 210 sec, 240 sec, 270 sec, 300 sec, 6M, 7M, 8M, 9M, 10M, 15M, 20M, 25M, 30M, 35M, 40M, 45M, 50M, 55M, 60M. 	<p>Page 41</p>									
<p>Halftone</p> <p>This specifies the method for expressing pseudo-halftone processing of MH-GL/2 (vector) data or unbinarized MH-RTL (raster) data.</p> <ul style="list-style-type: none"> • Speed diffusion: Rapid expression of tones with an error diffusion matrix • Quality diffusion: High quality expression of tones by mean error minimization • Thin diffusion: Try this if the data was prepared for another brand of printer and high speed diffusion appears too dense. 	<p>Page 43</p>									
<p>CMY -> Black</p> <p>Specifies whether black is to be expressed by CMY (mixture) or K.</p> <p>In graphic language mode, it appears as follows:</p> <table border="1" data-bbox="189 1354 1026 1517"> <thead> <tr> <th></th> <th>Yes</th> <th>No</th> </tr> </thead> <tbody> <tr> <td>RTL-PASS</td> <td>Black must be K ink</td> <td>CMY black may be mixed with K</td> </tr> <tr> <td>MH-GL/MH-GL2</td> <td>Black must be K ink</td> <td>Black must be CMY mixed</td> </tr> </tbody> </table>		Yes	No	RTL-PASS	Black must be K ink	CMY black may be mixed with K	MH-GL/MH-GL2	Black must be K ink	Black must be CMY mixed	<p>Page 44</p>
	Yes	No								
RTL-PASS	Black must be K ink	CMY black may be mixed with K								
MH-GL/MH-GL2	Black must be K ink	Black must be CMY mixed								
<p>Scale</p> <p>This function prints with expanded or reduced printing data</p> <ul style="list-style-type: none"> • 25% to 100% to 400% (in 1% steps) 	<p>Page 45</p>									

Name of Function	Reference Page
<p>Mirror</p> <p>This function prints with printing data reversed in the Y-axis direction. Mirror may not work with some image data.</p> <ul style="list-style-type: none"> • Off: No reversal • Y on: Reversing in the Y direction 	<p>Page 46</p>
<p>Direction</p> <p>In a case where data is to be printed on roll media, this function specifies whether the layout of the image on the media is to be based on the size of the data including spaces or only on the area that will actually be printed.</p> <ul style="list-style-type: none"> • Command: If a command specifying page size is contained in the data, media size will be judged from that command. • MAX-MIN: The maximum and minimum values of the data determine the size of media that will contain that data, regardless of origin coordinates or page size commands, and the layout matches the center of the area to the center of the media. <div style="text-align: center;"> </div>	<p>Page 47</p>

Understanding the Functions

Function Settings

Name of Function	Reference Page
<p>Cut Position</p> <p>This function specifies where the roll media will be cut in accordance with the specified layout of the printing.</p> <ul style="list-style-type: none"> Data: Cuts the media at the position determined after adding a margin at the rear edge of the page size specified by command or the printing area prescribed by max-min in layout.  <ul style="list-style-type: none"> Standard: Cuts to the smallest standard size in the same series as the loaded media that will accommodate the printing area determined by layout. 	<p>Page 48</p>

Understanding the Functions Function Settings

Name of Function	Reference Page
<p>Media cut</p> <p>Selects whether roll media will be cut at the end of printing. If off is selected, the data can be printed again on the same page.</p> <p>• Off:</p> <div style="display: flex; align-items: center; margin-bottom: 10px;"> <div style="border: 1px solid black; border-radius: 15px; padding: 5px 15px; margin-right: 10px;">Cut off</div> <div style="border: 1px solid black; padding: 10px; margin-left: 20px;"> <div style="border: 1px solid black; padding: 5px; margin-bottom: 5px; text-align: center;">Printing area for second copy</div> <div style="border: 1px solid black; padding: 5px; text-align: center;">Printing area for first copy</div> </div> <div style="margin-left: 20px;"> <p>Rear margin of first copy and leading margin of second are missing</p> <p>* Printing area determined by layout</p> </div> </div> <p>• Auto: Roll media is cut automatically when printing ends.</p> <div style="display: flex; align-items: center; margin-bottom: 10px;"> <div style="border: 1px solid black; border-radius: 15px; padding: 5px 15px; margin-right: 10px;">Auto-cut</div> </div> <p>• Manual: Roll media is cut manually when printing ends. Use this for cutting media than can not be cut automatically (fireproof cloth or outdoors cloth). (See Basic edition page 57, "Making a Manual Cut".)</p> <div style="display: flex; align-items: center; margin-bottom: 10px;"> <div style="border: 1px solid black; border-radius: 15px; padding: 5px 15px; margin-right: 10px;">Manual cut</div> </div>	<p>Page 49</p>
<p>Copy</p> <p>Specifies number of copies when the data is to be printed several times.</p> <p>• 1 to 99</p>	<p>Page 50</p>
<p>Ink Density</p> <p>Set printing density.</p> <p>• Normal: Ordinary density printing</p> <p>• Thin: Printing density lighter than "Normal"</p> <p>• Faint: Printing density lighter than "Thin"</p>	<p>Page 51</p>
<p>Distance Adjustment</p> <p>Enter the length according to the data and the actual X-axis distance based on the actual printed document. If there is no setting, the length and width of the previously printed document is displayed. The distance adjustment is for adjusting to the user's scale, not for ensuring distance precision.</p>	<p>Page 52</p>

Understanding the Functions

Function Settings / Centronics Settings / Network Settings

Name of Function	Reference Page
<p>* "Normal", "Thin" and "Faint" are all valid if the resolution is set to pseudo-1440 dpi or 720 dpi but please note that if 360 dpi is set, the printing density will be "Normal" even when "Thin" or "Faint" is set.</p> <ul style="list-style-type: none"> • No: No distance adjustment is made • Clear: To erase the current distance adjustment setting • Change: To set a distance adjustment • Confirm: To confirm a distance adjustment 	

Centronics Settings

Name of Function	Reference Page
<p>Mode</p> <p>Sets the mode for the Centronics connection.</p> <ul style="list-style-type: none"> • Centronics: Selects fixed one-way Centronics communication • BiCentronics: Selects Bitronics that allows two-way communication (supports compatible mode, nibble mode, ECP mode) 	Page 55
<p>Timing</p> <p>Sets ACK timing for Centronics online communication</p> <ul style="list-style-type: none"> • A-B: Selects ACK timing for the A-B busy method • B-A: Selects ACK timing for the B-A busy method 	Page 56

Network Settings

Name of Function	Reference Page
<p>IP address</p> <p>Sets up IP address for the network connection (Ethernet). Enter the IP address assigned by your network administrator After making the setting, turn the printer off momentarily and restart it.</p> <ul style="list-style-type: none"> • 000.000.000.000 to 192.034.043.015 to 255.255.255.255 	Page 57

Utility Settings

Name of Function	Reference Page
<p>Error Display</p> <p>Specifies whether the error LED will light and error details will be displayed in the liquid crystal display unit when a minor error has occurred.</p> <ul style="list-style-type: none"> • On: The error LED will light and error details will be displayed in the liquid crystal display unit when a minor error has occurred • Off: No indication will be given of a minor error occurring, either by error LED or by the liquid crystal display unit 	<p>Page 59</p>
<p>Initial All</p> <p>Restores the contents of all backed up settings to the values set when shipped by Mutoh.</p> <ul style="list-style-type: none"> • OK: All backed up settings are restored to the factory settings • No: Factory settings are not restored 	<p>Page 60</p>
<p>Initial Command</p> <p>Restores the backed up command settings to the values set when shipped by Mutoh.</p> <ul style="list-style-type: none"> • OK: The backed up command settings are restored to the factory settings • No: Factory settings are not restored 	<p>Page 62</p>
<p>Initial Function</p> <p>Restores the backed up function settings to the values set when shipped by Mutoh.</p> <ul style="list-style-type: none"> • OK: The backed up function settings are restored to the factory settings • No: Factory settings are not restored 	<p>Page 64</p>

Understanding the Functions

Utility Settings

Name of Function	Reference Page
<p>Initial Centronics</p> <p>Restores the backed up Centronics settings to the values set when shipped by Mutoh.</p> <ul style="list-style-type: none"> • OK: The backed up Centronics settings are restored to the factory settings • No: Factory settings are not restored 	<p>Page 66</p>
<p>Initial Network</p> <p>Restores the backed up Network settings to the values set when shipped by Mutoh.</p> <ul style="list-style-type: none"> • OK: The backed up Network settings are restored to the factory settings • No: Factory settings are not restored 	<p>Page 68</p>
<p>Dump</p> <p>Prints a dump for the serviceman to check online.</p> <ul style="list-style-type: none"> • Start-End: Prints a dump from start to end • All: Prints a dump for all data 	<p>Page 70</p>
<p>Head Wash</p> <p>Withdraws the filled ink and cleans the interior of the head. After cleaning, the head must be filled with ink for printing.</p> <ul style="list-style-type: none"> • Yes: Head is cleaned. • No: Head is not cleaned. 	<p>Page 72</p>
<p>Data Order</p> <p>In case light-cyan and light-magenta is being used, sometimes no desired color will be produced depending on the kind of RIP to be used.</p> <p>In such a case, please try to use this Data Order function.</p> <ul style="list-style-type: none"> • 5Lc6Lm: An ordinary color pattern is specified. • 5Lm6Lc: A specific color pattern is used. 	<p>Page 75</p>

How to Set Parameters

This section explains how to set parameters for all types of menu.

Command settings:

Command	PAGE 33
Plot Area	PAGE 34
Position	PAGE 35
Terminator	PAGE 36
Resolution	PAGE 37
Online Timer	PAGE 38
Overwrite	PAGE 40

Function settings:

Ink Dry Time	PAGE 41
Halftone	PAGE 43
CMY -> Black	PAGE 44
Scale	PAGE 45
Mirror	PAGE 46
Direction	PAGE 47
Cut Position	PAGE 48
Media Cut	PAGE 49
Copy	PAGE 50
Ink Density	PAGE 51
Distance Adjustment	PAGE 52

How to Set Parameters

Centronics Settings:

Mode	PAGE 55
-------------	----------------

Timing	PAGE 56
---------------	----------------

Network Setting:

IP Address	PAGE 57
-------------------	----------------

Utility Settings:

Error Display	PAGE 59
----------------------	----------------

Utility Settings: Initial

All	PAGE 60
------------	----------------

Command	PAGE 62
----------------	----------------

Function	PAGE 64
-----------------	----------------

Centronics	PAGE 66
-------------------	----------------

Network	PAGE 68
----------------	----------------

Utility Settings:

Dump	PAGE 70
-------------	----------------

Head Wash	PAGE 72
------------------	----------------

Data Order	PAGE 75
-------------------	----------------

Accuracy Adjustment Plot	PAGE 76
---------------------------------	----------------

Command Settings: Command

P l o t O K

* M e n u * C o m m a n d >

* M e n u * C o m m a n d >

C o m m a n d : M H G L , G L 2

C o m m a n d : R T L - P A S S

P l o t A r e a : N o r m a l

* M e n u * C o m m a n d >

P l o t O K

Step 1

If a menu is to be specified, press the [MENU] key.

Step 2

The key contents change to the purple section on the outside of the control panel.

Bring up the "Command" menu by pressing the [Menu Up] key or [Menu Down] key.

Step 3

Display a Command item by pressing the [Menu Up] key or [Menu Down] key.

Step 4

Specify "MHGL, GL2", "MH-GL2" or "RTL-PASS" by pressing the [VALUE +] or [VALUE -] key.

Step 5

Press the [ENTER] key to confirm "Command" setting and shift to the next item to be set.

Step 6

If no other items are to be changed, press the [Back] key.

Step 7

Do not press any other keys for 3 minutes or press [Back] key again.

Step 8

The permanent display is restored.

Command Settings: Plot Area

Plot OK

* Menu * Command >

* Menu * Command >

Command : MHGL , GL 2

Plot Area : Normal

Plot Area : Expand

Position : P 1

* Menu * Command >

Plot OK

Step 1

If a menu is to be specified, press the **[MENU]** key.

Step 2

The key contents change to the purple section on the outside of the control panel.

Bring up the "Command" menu by pressing the **[Menu Up]** key or **[Menu Down]** key.

Step 3

Press the **[ENTER]** key to confirm the "Command" menu and shift to the next level.

Step 4

Bring up the "Plot Area" item by pressing the **[Menu Up]** key or **[Menu Down]** key.

Step 5

Press the **[VALUE +]** or **[VALUE -]** key to select "Normal" or "Expand".

Step 6

Press the **[ENTER]** key to confirm "Plot Area" and shift to the next item to be set.

Step 7

If no other items are to be changed, press the **[Back]** key.

Step 8

Do not press any other keys for 3 minutes or press **[Back]** key again.

Step 9

The permanent display is restored.

Command Settings: Position

P l o t O K

* M e n u * C o m m a n d >

* M e n u * C o m m a n d >

C o m m a n d : M H G L , G L 2

P o s i t i o n : P 1

P o s i t i o n : L L

T e r m i n a t : S p e c i a l

* M e n u * C o m m a n d >

P l o t O K

Step 1

If a menu is to be specified, press the **[MENU]** key.

Step 2

The key contents change to the purple section on the outside of the control panel.

Bring up the "Command" menu by pressing the **[Menu Up]** key or **[Menu Down]** key.

Step 3

Press the **[ENTER]** key to confirm the "Command" menu and shift to the next level.

Step 4

Bring up the "Position" item by pressing the **[Menu Up]** key or **[Menu Down]** key.

Step 5

Press the **[VALUE +]** or **[VALUE -]** key to select "P1" or "LL (Hardclip lower left)" or "Full".

Step 6

Press the **[ENTER]** key to confirm "Position" and shift to the next item to be set.

Step 7

If no other items are to be changed, press the **[Back]** key.

Step 8

Do not press any other keys for 3 minutes or press **[Back]** key again.

Step 9

The permanent display is restored.

Command Settings: Terminator

Plot OK

* Menu * Command >

* Menu * Command >

Command : MHGL , GL 2

Terminat : Special

Terminat : Normal

Resolut . : 360 dpi

* Menu * Command >

Plot OK

Step 1

If a menu is to be specified, press the **[MENU]** key.

Step 2

The key contents change to the purple section on the outside of the control panel.

Bring up the "Command" menu by pressing the **[Menu Up]** key or **[Menu Down]** key.

Step 3

Press the **[ENTER]** key to confirm the "Command" menu and shift to the next level.

Step 4

Bring up the "Terminat" item by pressing the **[Menu Up]** key or **[Menu Down]** key.

Step 5

Press the **[VALUE +]** or **[VALUE -]** key to select "Special" or "Normal".

Step 6

Press the **[ENTER]** key to confirm "Terminat" and shift to the next item to be set.

Step 7

If no other items are to be changed, press the **[Back]** key.

Step 8

Do not press any other keys for 3 minutes or press **[Back]** key again.

Step 9

The permanent display is restored.

Command Settings: Resolution

Plot OK

* Menu * Command >

* Menu * Command >

Command : MHGL , GL 2

Resolut . : 360dpi

Resolut . : 720dpi

OnlineTimer : 30s

* Menu * Command >

Plot OK

Step 1

If a menu is to be specified, press the [MENU] key.

Step 2

The key contents change to the purple section on the outside of the control panel.

Bring up the "Command" menu by pressing the [Menu Up] key or [Menu Down] key.

Step 3

Press the [ENTER] key to confirm the "Command" menu and shift to the next level.

Step 4

Bring up the "Resolut." item by pressing the [Menu Up] key or [Menu Down] key.

Step 5

Press the [VALUE +] or [VALUE -] key to select "360dpi", "720dpi" or "300dpi".

Step 6

Press the [ENTER] key to confirm "Resolution" and shift to the next item to be set.

Step 7

If no other items are to be changed, press the [Back] key.

Step 8

Do not press any other keys for 3 minutes or press [Back] key again.

Step 9

The permanent display is restored.

Command Settings: Online Timer

P l o t O K

Step 1

If a menu is to be specified, press the **[MENU]** key.

* M e n u * C o m m a n d >

Step 2

The key contents change to the purple section on the outside of the control panel.

Bring up the "Command" menu by pressing the **[Menu Up]** key or **[Menu Down]** key.

* M e n u * C o m m a n d >

Step 3

Press the **[ENTER]** key to confirm the "Command" menu and shift to the next level.

C o m m a n d : M H G L , G L 2

Step 4

Bring up the "Online Timer" item by pressing the **[Menu Up]** key or **[Menu Down]** key.

O n l i n e T i m e r : 3 0 s

Step 5

Press the **[VALUE +]** or **[VALUE -]** key to select "Off", "10s", "10s", "20s", "30s", "40s", "50s", "60s", "90s", "120s", "150s", "180s", "210s", "240s", "270s" or "800s".

O n l i n e T i m e r : 2 7 0 s

Step 6

Press the **[ENTER]** key to confirm "Online Timer" and shift to the next item to be set.

O v e r w r i t e : L a s t

Step 7

If no other items are to be changed, press the **[Back]** key.

* M e n u * C o m m a n d >

Step 8

Do not press any other keys for 3 minutes or press **[Back]** key again.

Command Settings: Online Timer

P l o t O K

Step 9

The permanent display is restored.

Command Settings: Overwrite

Plot OK

* Menu * Command >

* Menu * Command >

Command : MHGL , GL 2

Overwrite : Last

Overwrite : Mix

Command : MHGL , GL 2

* Menu * Command >

Plot OK

Step 1

If a menu is to be specified, press the [MENU] key.

Step 2

The key contents change to the purple section on the outside of the control panel.

Bring up the "Command" menu by pressing the [Menu Up] key or [Menu Down] key.

Step 3

Press the [ENTER] key to confirm the "Command" menu and shift to the next level

Step 4

Bring up the "Overwrite" item by pressing the [Menu Up] key or [Menu Down] key.

Step 5

Press the [VALUE +] or [VALUE -] key to select "Last" or "Mix".

Step 6

Press the [ENTER] key to confirm "Overwrite" and shift to the next item to be set.

Step 7

If no other items are to be changed, press the [Back] key.

Step 8

Do not press any other keys for 3 minutes or press [Back] key again.

Step 9

The permanent display is restored.

Function Settings: Ink Dry Time

Plot OK

* Menu * Command >

* Menu * Function >

InkDryTime : 30 s

InkDryTime : 30 s

InkDryTime : 60 s

Halftone : Speed

Step 1

If a menu is to be specified, press the [MENU] key.

Step 2

The key contents change to the purple section on the outside of the control panel.

Bring up the "Function" menu by pressing the [Menu Up] key or [Menu Down] key.

Step 3

Press the [ENTER] key to confirm the "Function" menu and shift to the next level.

Step 4

Bring up the "Ink Dry Time" item by pressing the [Menu Up] key or [Menu Down] key.

Step 5

Press the [VALUE +] or [VALUE -] key to select "0s", "5s", "10s", "20s", "30s", "40s", "50s", "60s", "90s", "120s", "150s", "180s", "210s", "240s", "270s" or "300s", "6M", "7M", "8M", "9M", "10M", "15M", "20M", "25M", "30M", "35M", "40M", "45M", "50M", "55M", or "60M"

Step 6

Press the [ENTER] key to confirm "Ink Dry Time" and shift to the next item to be set.

Step 7

If no other items are to be changed, press the [Back] key.

Function Settings: Ink Dry Time

* M e n u * F u n c t i o n >

P l o t O K

Step 8

Do not press any other keys for 3 minutes or press **[Back]** key again.

Step 9

The permanent display is restored.

Function Settings: Halftone

Plot OK

* Menu * Command >

* Menu * Function >

InkDryTime : 30s

Halftone : Speed

Halftone : Quality

CMY -> BLACK No

* Menu * Function >

Plot OK

Step 1

If a menu is to be specified, press the [MENU] key.

Step 2

The key contents change to the purple section on the outside of the control panel.

Bring up the "Function" menu by pressing the [Menu Up] key or [Menu Down] key.

Step 3

Press the [ENTER] key to confirm the "Function" menu and shift to the next level.

Step 4

Bring up the "Halftone" item by pressing the [Menu Up] key or [Menu Down] key.

Step 5

Press the [VALUE +] or [VALUE -] key to set halftone to "Speed" diffusion, "Quality" diffusion or "Thin" diffusion.

Step 6

Press the [ENTER] key to confirm "Halftone" and shift to the next item to be set.

Step 7

If no other items are to be changed, press the [Back] key.

Step 8

Do not press any other keys for 3 minutes or press [Back] key again.

Step 9

The permanent display is restored.

Function Settings: CMY-> Black

Plot OK

* Menu * Command >

* Menu * Function >

InkDryTime : 30 s

CMY - > BLACK No

CMY - > BLACK Yes

Scale : 100%

* Menu * Function >

Plot OK

Step 1

If a menu is to be specified, press the [MENU] key.

Step 2

The key contents change to the purple section on the outside of the control panel.

Bring up the "Function" menu by pressing the [Menu Up] key or [Menu Down] key.

Step 3

Press the [ENTER] key to confirm the "Function" menu and shift to the next level.

Step 4

Bring up the "CMY -> BLACK" item by pressing the [Menu Up] key or [Menu Down] key.

Step 5

Press the [VALUE +] or [VALUE -] key to set "No" or "Yes".

Step 6

Press the [ENTER] key to confirm "CMY -> BLACK" and shift to the next item to be set.

Step 7

If no other items are to be changed, press the [Back] key.

Step 8

Do not press any other keys for 3 minutes or press [Back] key again.

Step 9

The permanent display is restored.

Function Settings: Scale

Plot OK

* Menu * Command >

* Menu * Function >

InkDryTime : 30 s

Scale : 100%

Scale : 120%

Mirror : Off

* Menu * Function >

Plot OK

Step 1

If a menu is to be specified, press the [MENU] key.

Step 2

The key contents change to the purple section on the outside of the control panel.

Bring up the "Function" menu by pressing the [Menu Up] key or [Menu Down] key.

Step 3

Press the [ENTER] key to confirm the "Function" menu and shift to the next level.

Step 4

Bring up the "Scale" item by pressing the [Menu Up] key or [Menu Down] key.

Step 5

Press the [VALUE +] or [VALUE -] key to set scale magnification between "25%" and "400%".

Step 6

Press the [ENTER] key to confirm "Scale" and shift to the next item to be set.

Step 7

If no other items are to be changed, press the [Back] key.

Step 8

Do not press any other keys for 3 minutes or press [Back] again.

Step 9

The permanent display is restored.

Function Settings: Mirror

Plot OK

* Menu * Command >

* Menu * Function >

InkDryTime : 30 s

Mirror : Off

Mirror : Y On

Direct . : Command

* Menu * Function >

Plot OK

Step 1

If a menu is to be specified, press the **[MENU]** key.

Step 2

The key contents change to the purple section on the outside of the control panel.

Bring up the "Function" menu by pressing the **[Menu Up]** key or **[Menu Down]** key.

Step 3

Press the **[ENTER]** key to confirm the "Function" menu and shift to the next level.

Step 4

Bring up the "Mirror" item by pressing the **[Menu Up]** key or **[Menu Down]** key.

Step 5

Press the **[VALUE +]** or **[VALUE -]** key to set mirror to "Off" or "Y On".

Step 6

Press the **[ENTER]** key to confirm "Mirror" for the applicable print and shift to the next item to be set.

Step 7

If no other items are to be changed, press the **[Back]** key.

Step 8

Do not press any other keys for 3 minutes or press **[Back]** key again.

Step 9

The permanent display is restored.

Function Settings: Direction

Plot OK

* Menu * Command >

* Menu * Function >

InkDryTime : 30 s

Direct. : Command

Direct. : MAX-MIN

CutPos. : Data

* Menu * Function >

Plot OK

Step 1

If a menu is to be specified, press the [MENU] key.

Step 2

The key contents change to the purple section on the outside of the control panel.

Bring up the "Function" menu by pressing the [Menu Up] key or [Menu Down] key.

Step 3

Press the [ENTER] key to confirm the "Function" menu and shift to the next level.

Step 4

Bring up the "Direct." item by pressing the [Menu Up] key or [Menu Down] key.

Step 5

Press the [VALUE +] or [VALUE -] key to specify "Command" or "MAX-MIN".

Step 6

Press the [ENTER] key to confirm "Direction" and shift to the next item to be set.

Step 7

If no other items are to be changed, press the [Back] key.

Step 8

Do not press any other keys for 3 minutes or press [Back] key again.

Step 9

The permanent display is restored.

Function Settings: Cut Position

Plot OK

* Menu * Command >

* Menu * Function >

InkDryTime : 30 s

CutPos. : Data

CutPos. : Standard

MediaCut : Auto

* Menu * Function >

Plot OK

Step 1

If a menu is to be specified, press the **[MENU]** key.

Step 2

The key contents change to the purple section on the outside of the control panel.

Bring up the "Function" menu by pressing the **[Menu Up]** key or **[Menu Down]** key.

Step 3

Press the **[ENTER]** key to confirm the "Function" menu and shift to the next level.

Step 4

Bring up the "Cut Pos." item by pressing the **[Menu Up]** key or **[Menu Down]** key.

Step 5

Press the **[VALUE +]** or **[VALUE -]** key to specify "Data" or "Standard".

Step 6

Press the **[ENTER]** key to confirm "Cut Position" and shift to the next item to be set.

Step 7

If no other items are to be changed, press the **[Back]** key.

Step 8

Do not press any other keys for 3 minutes or press **[Back]** key again.

Step 9

The permanent display is restored.

Function Settings: Media Cut

Plot OK

* Menu * Command >

* Menu * Function >

InkDryTime : 30s

MediaCut : Auto

MediaCut : Manual

Copy : 1

* Menu * Function >

Plot OK

Step 1

If a menu is to be specified, press the [MENU] key.

Step 2

The key contents change to the purple section on the outside of the control panel.

Bring up the "Function" menu by pressing the [Menu Up] key or [Menu Down] key.

Step 3

Press the [ENTER] key to confirm the "Function" menu and shift to the next level.

Step 4

Bring up the "Media cut" item by pressing the [Menu Up] key or [Menu Down] key.

Step 5

Press the [VALUE +] or [VALUE -] key to specify "Off", "Auto" cut or "Manual" cut.

Step 6

Press the [ENTER] key to confirm "Media Cut" and shift to the next item to be set.

Step 7

If no other items are to be changed, press the [Back] key.

Step 8

Do not press any other keys for 3 minutes or press [Back] key again.

Step 9

The permanent display is restored.

Function Settings: Copy

Plot OK

* Menu * Command >

* Menu * Function >

InkDryTime : 30 s

Copy : 1

Copy : 15

InkDensity Normal

* Menu * Function >

Plot OK

Step 1

If a menu is to be specified, press the **[MENU]** key.

Step 2

The key contents change to the purple section on the outside of the control panel.

Bring up the "Function" menu by pressing the **[Menu Up]** key or **[Menu Down]** key.

Step 3

Press the **[ENETR]** key to confirm the "Function" menu and shift to the next level.

Step 4

Bring up the "Copy" item by pressing the **[Menu Up]** key or **[Menu Down]** key.

Step 5

Press the **[VALUE +]** or **[VALUE -]** key to set the number of copies between "1" and "99".

Step 6

Press the **[ENTER]** key to confirm the number of copies of the applicable print and shift to the next item to be set.

Step 7

If no other items are to be changed, press the **[Back]** key.

Step 8

Do not press any other keys for 3 minutes or press **[Back]** key again.

Step 9

The permanent display is restored.

Function Settings: Ink Density

Plot OK

* Menu * Command >

* Menu * Function >

InkDryTime : 30s

InkDensity Normal

InkDensity : Thin

Dist. Adj : No

* Menu * Function >

Plot OK

Step 1

If a menu is to be specified, press the **[MENU]** key.

Step 2

The key contents change to the purple section on the outside of the control panel.

Bring up the "Function" menu by pressing the **[Menu Up]** key or **[Menu Down]** key.

Step 3

Press the **[ENTER]** key to confirm the "Function" menu and shift to the next level

Step 4

Bring up the "Ink Density" item by pressing the **[Menu Up]** key or **[Menu Down]** key.

Step 5

Press the **[VALUE +]** or **[VALUE -]** key to set the density to "Normal", "Thin" or "Faint".

Step 6

Press the **[ENTER]** key to confirm "Ink Density" shift to the next item to be set.

Step 7

If no other items are to be changed, press the **[Back]** key.

Step 8

Do not press any other keys for 3 minutes or press **[Back]** key again.

Step 9

The permanent display is restored.

Function Settings: Distance Adjustment

Plot OK

* Menu * Command >

* Menu * Function >

InkDryTime : 30 s

Dist. Adj : No

Dist. Adj : Change

Data X : 00841.00

Step 1

If a menu is to be specified, press the [MENU] key.

Step 2

The key contents change to the purple section on the outside of the control panel.

Bring up the "Function" menu by pressing the [Menu Up] key or [Menu Down] key.

Step 3

Press the [ENTER] key to confirm the "Function" menu and shift to the next level

Step 4

Bring up the "Dist. Adj." item by pressing the [Menu Up] key or [Menu Down] key.

Step 5

Press the [VALUE +] or [VALUE -] key to set "Change".

Step 6

Press the [ENTER] key to confirm the "Distance Adjustment" submenu and shift to the next level.

Step 7

Press the [Menu Up] key or [Menu Down] key to shift to the panel for changing "Distance Adjustment X-axis Data". the value that is displayed becomes the currently set value. If no setting is to be made, it will be the width of the previously printed document. An underline shows the digit to be altered.

Function Settings: Distance Adjustment

Data X : 00841.00

Step 8

Set the value of the digit to be altered by pressing the [VALUE +] or [VALUE -] key.

Data X : 00801.00

Step 9

Continue by pressing the [Menu Up] key or [Menu Down] key to shift to another digit to be altered.

Data X : 00801.00

Step 9

Set the value of the digit to be altered by pressing the [VALUE +] or [VALUE -] key.

Data X : 00800.00

Step 10

Press [ENTER] to set "Distance Adjustment X-axis Data Value".

Real X : 00800.00

Step 11

Specify the X measurement from the printed document in order to display the "Distance Adjustment X-axis Data Value".

Press the [Menu Up] key or [Menu Down] key to shift to the "X-axis Data" digit that is to be altered.

Real X : 00800.00

Step 12

Set the value of the digit in the measured value by pressing the [VALUE +] or [VALUE -] key.

Real X : 00800.20

Step 13

Continue by pressing the [Menu Up] key or [Menu Down] key to shift to another digit to be altered.

Real X : 00800.20

Step 14

Set the value of the digit in the measured value by pressing the [VALUE +] or [VALUE -] key.

Function Settings: Distance Adjustment

Real X: 00800.25

Step 15

Press [ENTER] key to set "Distance Adjustment X-axis Measured Value".

Dist. Adj: Change

Step 16

Distance Correction item is restored. If no other items are to be changed, press the [Back] key.

* Menu * Function >

Step 17

Do not press any other keys for 3 minutes or press [Back] key again

Plot OK

Step 18

The permanent display is restored

Centronics Settings: Mode

P l o t O K

* M e n u * C o m m a n d >

* M e n u * C e n t r o >

M o d e : C e n t r o

M o d e : C e n t r o

M o d e : B i C e n t r o

T i m i n g : A - B

* M e n u * C e n t r o >

P l o t O K

Step 1

If a menu is to be specified, press the **[MENU]** key.

Step 2

The key contents change to the purple section on the outside of the control panel.

Bring up the "Centronics" menu by pressing the **[Menu Up]** key or **[Menu Down]** key.

Step 3

Press the **[ENTER]** key to confirm the "Centronics" menu and shift to the next level.

Step 4

Bring up the "Mode" item by pressing the **[Menu Up]** key or **[Menu Down]** key.

Step 5

Press the **[VALUE +]** or **[VALUE -]** key to switch to "Centro" or "Bi Centro".

Step 6

Press the **[ENTER]** key to confirm "Mode" and shift to the next item to be set.

Step 7

If no other items are to be changed, press the **[Back]** key.

Step 8

Do not press any other keys for 3 minutes or press **[Back]** key again.

Step 9

The permanent display is restored.

Centronics Settings: Timing

Plot OK

* Menu * Command >

* Menu * Centro >

Mode : Centro

Timing : A - B

Timing : B - A

Mode : Centro

* Menu * Centro >

Plot OK

Step 1

If a menu is to be specified, press the [MENU] key.

Step 2

The key contents change to the purple section on the outside of the control panel.

Bring up the "Centronics" menu by pressing the [Menu Up] key or [Menu Down] key.

Step 3

Press the [ENTER] key to confirm the "Centronics" menu and shift to the next level.

Step 4

Bring up the "Timing" item by pressing the [Menu Up] key or [Menu Down] key.

Step 5

Press the [VALUE +] or [VALUE -] key to switch to "A-B" or "B-A".

Step 6

Press the [ENTER] key to confirm "Timing" and shift to the next item to be set.

Step 7

If no other items are to be changed, press the [Back] key.

Step 8

Do not press any other keys for 3 minutes or press [Back] key again.

Step 9

The permanent display is restored.

Network Setting: IP Address

P l o t O K

* M e n u * C o m m a n d >

* M e n u * N e t w o r k >

-> 1 9 2 . 0 3 4 . 0 4 3 . 0 1 5

-> 1 9 2 . 0 3 4 . 0 4 3 . 0 1 5

1 9 2 -> 0 3 4 . 0 4 3 . 0 1 5

1 9 2 -> 1 6 8 . 0 4 3 . 0 1 5

Step 1

If a menu is to be specified, press the **[MENU]** key.

Step 2

The key contents change to the purple section on the outside of the control panel.

Bring up the "Network" menu by pressing the **[Menu Up]** key or **[Menu Down]** key.

Step 3

Press the **[ENTER]** key to confirm the "Network" menu and shift to the next level.

Step 4

Press the **[VALUE +]** or **[VALUE -]** key to set the first part of the IP address to a number between "001" and "255". (The first part identifies the country and 192 is usually used in a LAN environment.)

Step 5

Press the **[ENTER]** key to confirm the first address and shift to the second address.

Step 6

Press the **[VALUE +]** or **[VALUE -]** key to set the second part of the IP address to a number between "001" and "255".

Step 7

Press the **[ENTER]** key to confirm the second address and shift to the third address.

Network Setting: IP Address

1 9 2 . 1 6 8 -> 0 4 3 . 0 1 5

Step 8

Press the **[VALUE +]** or **[VALUE -]** key to set the third part of the IP address to a number between "001" and "255".

1 9 2 . 1 6 8 -> 0 0 1 . 0 1 5

Step 9

Press the **[ENTER]** key to confirm the third address and shift to the fourth address.

1 9 2 . 1 6 8 . 0 0 1 -> 0 1 5

Step 10

Press the **[VALUE +]** or **[VALUE -]** key to set the fourth part of the IP address to a number between "001" and "255".

1 9 2 . 1 6 8 . 0 0 1 -> 0 0 7

Step 11

Press the **[ENTER]** key to confirm the fourth address and shift to the first address.

-> 1 9 2 . 1 6 8 . 0 0 1 . 0 0 7

Step 12

Press the **[Back]** key.

* M e n u * N e t w o r k >

Step 13

Do not press any other keys for 3 minutes or press **[Back]** key again.

P l o t O K

Step 14

The permanent display is restored.

Utility Settings: Error Display

Plot OK

* Menu * Command >

* Menu * Utility >

ErrorDisplay: Off

ErrorDisplay: Off

ErrorDisplay: On

Initial: No

* Menu * Utility >

Plot OK

Step 1

If a menu is to be specified, press the **[MENU]** key.

Step 2

The key contents change to the purple section on the outside of the control panel.

Bring up the "Utility" menu by pressing the **[Menu Up]** key or **[Menu Down]** key.

Step 3

Press the **[ENTER]** key to confirm the "Utility" menu and shift to the next level.

Step 4

Bring up the "Error Display" item by pressing the **[Menu Up]** key or **[Menu Down]** key.

Step 5

Press the **[VALUE +]** or **[VALUE -]** key to switch to "Off" or "On".

Step 6

Press the **[ENTER]** key to confirm "Error display" and shift to the next item to be set.

Step 7

If no other items are to be changed, press the **[Back]** key.

Step 8

Do not press any other keys for 3 minutes or press **[Back]** key again.

Step 9

The permanent display is restored.

Utility Settings: Initial: All

Plot OK

Step 1

If a menu is to be specified, press the **[MENU]** key.

* Menu * Command >

Step 2

The key contents change to the purple section on the outside of the control panel.

Bring up the "Utility" menu by pressing the **[Menu Up]** key or **[Menu Down]** key.

* Menu * Utility >

Step 3

Press the **[ENTER]** key to confirm the "Utility" menu and shift to the next level.

Error Display : Off

Step 4

Bring up the "Initial" item by pressing the **[Menu Up]** key or **[Menu Down]** key.

Initial : No

Step 5

Press the **[VALUE +]** or **[VALUE -]** key to specify "Yes".

Initial : Yes >

Step 6

Press the **[ENTER]** key to confirm "Initial" and shift to "Initial All".

Initial All : No

Step 7

Bring up the "Initial All" item by pressing the **[Menu Up]** key or **[Menu Down]** key.

Initial All : No

Step 8

Press the **[VALUE +]** or **[VALUE -]** key to specify "OK".

Initial All : OK

Step 9

Press the **[ENTER]** key to confirm "Initial All" and shift to the next item to be set.

Utility Settings: Initial: All

I n i t i a l C o m m a n d N o

Step 10

If no other items are to be changed, press the **[Back]** key.

I n i t i a l : N o

Step 11

If no other items are to be changed, press the **[Back]** key.

* M e n u * U t i l i t y >

Step 12

Do not press any other keys for 3 minutes or press **[Back]** key again.

P l o t O K

Step 13

The permanent display is restored.

Utility Settings: Initial: Command

Plot OK

* Menu * Command >

* Menu * Utility >

Error Display : Off

Initial : No

Initial : Yes >

Initial All : No

Initial Command No

Initial Command OK

Step 1

If a menu is to be specified, press the [MENU] key.

Step 2

The key contents change to the purple section on the outside of the control panel.

Bring up the "Utility" menu by pressing the [Menu Up] key or [Menu Down] key.

Step 3

Press the [ENTER] key to confirm the "Utility" menu and shift to the next level.

Step 4

Bring up the "Initial" item by pressing the [Menu Up] key or [Menu Down] key.

Step 5

Press the [VALUE +] or [VALUE -] key to specify "Yes".

Step 6

Press the [ENTER] key to confirm "Initial" and shift to "Initial All".

Step 7

Bring up the "Initial Command" item by pressing the [Menu Up] key or [Menu Down] key.

Step 8

Press the [VALUE +] or [VALUE -] key to specify "OK".

Step 9

Press the [ENTER] key to confirm "Initial Command" and shift to the next item to be set.

Utility Settings: Initial: Command

Initial Function. No

Step 10

If no other items are to be changed, press the **[Back]** key.

Initial: No

Step 11

If no other items are to be changed, press the **[Back]** key.

* Menu * Utility >

Step 12

Do not press any other keys for 3 minutes or press **[Back]** key again.

Plot OK

Step 13

The permanent display is restored.

Utility Settings: Initial: Function

Plot OK

Step 1

If a menu is to be specified, press the [MENU] key.

* Menu * Command >

Step 2

The key contents change to the purple section on the outside of the control panel.

Bring up the "Utility" menu by pressing the [Menu Up] key or [Menu Down] key.

* Menu * Utility >

Step 3

Press the [ENTER] key to confirm the "Utility" menu and shift to the next level.

Error Display : Off

Step 4

Bring up the "Initial" item by pressing the [Menu Up] key or [Menu Down] key.

Initial : No

Step 5

Press the [VALUE +] or [VALUE -] key to specify "Yes".

Initial : Yes >

Step 6

Press the [ENTER] key to confirm "Initial" and shift to "Initial All".

Initial All : No

Step 7

Bring up the "Initial Functi." item by pressing the [Menu Up] key or [Menu Down] key.

Initial Functi . No

Step 8

Press the [VALUE +] or [VALUE -] key to specify "OK".

Initial Functi . OK

Step 9

Press the [ENTER] key to confirm "Initial Function" and shift to the next item to be set.

Utility Settings: Initial: Function

I n i t i a l C e n t r o : N o

Step 10

If no other items are to be changed, press the **[Back]** key.

I n i t i a l : N o

Step 11

If no other items are to be changed, press the **[Back]** key.

* M e n u * U t i l i t y >

Step 12

Do not press any other keys for 3 minutes or press **[Back]** key again.

P l o t O K

Step 13

The permanent display is restored.

Utility Settings: Initial: Centronics

Plot OK

* Menu * Command >

* Menu * Utility >

Error Display : Off

Initial : No

Initial : Yes >

Initial All : No

Initial Centro : No

Initial Centro : OK

Step 1

If a menu is to be specified, press the [MENU] key.

Step 2

The key contents change to the purple section on the outside of the control panel.

Bring up the "Utility" menu by pressing the [Menu Up] key or [Menu Down] key.

Step 3

Press the [ENTER] key to confirm the "Utility" menu and shift to the next level.

Step 4

Bring up the "Initial" item by pressing the [Menu Up] key or [Menu Down] key.

Step 5

Press the [VALUE +] or [VALUE -] key to specify "Yes".

Step 6

Press the [ENTER] key to confirm "Initial" and shift to "Initial All".

Step 7

Bring up the "Initial Centro" item by pressing the [Menu Up] key or [Menu Down] key.

Step 8

Press the [VALUE +] or [VALUE -] key to specify "OK".

Step 9

Press the [ENTER] key to confirm "Initial Centronics" and shift to the next item to be set.

Utility Settings: Initial: Centronics

Initial Network No

Step 10

If no other items are to be changed, press the **[Back]** key.

Initial: No

Step 11

If no other items are to be changed, press the **[Back]** key.

* Menu * Utility >

Step 12

Do not press any other keys for 3 minutes or press **[Back]** key again.

Plot OK

Step 13

The permanent display is restored.

Utility Settings: Initial: Network

P l o t O K

Step 1

If a menu is to be specified, press the **[MENU]** key.

* M e n u * C o m m a n d >

Step 2

The key contents change to the purple section on the outside of the control panel.

Bring up the "Utility" menu by pressing the **[Menu Up]** key or **[Menu Down]** key.

* M e n u * U t i l i t y >

Step 3

Press the **[ENTER]** key to confirm the "Utility" menu and shift to the next level.

E r r o r D i s p l a y : O f f

Step 4

Bring up the "Initial" item by pressing the **[Menu Up]** key or **[Menu Down]** key.

I n i t i a l : N o

Step 5

Press the **[VALUE +]** or **[VALUE -]** key to specify "Yes".

I n i t i a l : Y e s >

Step 6

Press the **[ENTER]** key to confirm "Initial" and shift to "Initial All".

I n i t i a l A l l : N o

Step 7

Bring up the "Initial Network" item by pressing the **[Menu Up]** key or **[Menu Down]** key.

I n i t i a l N e t w o r k N o

Step 8

Press the **[VALUE +]** or **[VALUE -]** key to specify "OK".

I n i t i a l N e t w o r k O K

Step 9

Press the **[ENTER]** key to confirm "Initial Network" and shift to the next item to be set.

Utility Settings: Initial: Network

Initial All: No

Step 10

If no other items are to be changed, press the **[Back]** key.

Initial:

Step 11

If no other items are to be changed, press the **[Back]** key.

* Menu * Utility >

Step 12

Do not press any other keys for 3 minutes or press **[Back]** key again.

Plot OK

Step 13

The permanent display is restored.

Utility Settings: Dump

P l o t O K

* M e n u * C o m m a n d >

* M e n u * U t i l i t y >

E r r o r D i s p l a y : O f f

D u m p : S t a r t / E n d

D u m p : A l l

* * D u m p M o d e * *

* * D u m p M o d e * *

* M e n u * U t i l i t y >

Step 1

If a menu is to be specified, press the **[MENU]** key.

Step 2

The key contents change to the purple section on the outside of the control panel.

Bring up the "Utility" menu by pressing the **[Menu Up]** key or **[Menu Down]** key.

Step 3

Press the **[ENTER]** key to confirm the "Utility" menu and shift to the next level.

Step 4

Bring up the "Dump" item by pressing the **[Menu Up]** key or **[Menu Down]** key.

Step 5

Select "Start/End" or "All" by pressing the **[Menu Up]** key or **[Menu Down]** key.

Step 6

Press the **[ENTER]** key to confirm Dump mode.

Step 7

Send printing data from the host computer. print with Dump Mode.

Step 8

To terminate Dump Mode, press the **[CANCEL]** key.

Step 9

Do not press any other keys for 3 minutes or press **[Back]** key again.

P l o t O K

Step 10

The permanent display is restored.

Utility Settings: Head Wash

P l o t O K

Step 1

If a menu is to be specified, press the **[MENU]** key.

* M e n u * C o m m a n d >

Step 2

The key contents change to the purple section on the outside of the control panel.

Bring up the "Utility" menu by pressing the **[Menu Up]** key or **[Menu Down]** key.

* M e n u * U t i l i t y >

Step 3

Press the **[ENTER]** key to confirm the "Utility" menu and shift to the next level.

E r r o r D i s p l a y : O f f

Step 4

Bring up the "Head Wash" item by pressing the **[Menu Up]** key or **[Menu Down]** key.

H e a d W a s h : N o

Step 5

Select "Yes" by pressing the **[Menu Up]** key or **[Menu Down]** key.

H e a d W a s h : Y e s

Step 6

Press the **[ENTER]** key to confirm "Head Wash".

C h a n g e W a s t e I n k

Step 7

Remove the currently installed waste box and insert a new waste liquid box from the cleaning set.

C h a n g e T a n k ? N o

Step 8

Select "Yes" by pressing the **[Menu Up]** key or **[Menu Down]** key.

C h a n g e T a n k ? Y e s

Step 9

Press the **[ENTER]** key to confirm waste box replaced.

Utility Settings: Head Wash

Remove Cartridge

Step 10

Remove the currently installed ink cartridges.

Set Wash Cart

Step 11

Insert wash cartridges.

HeadWash

Step 12

Cleaning begins when wash cartridges are installed. Cleaning time is about 25 minutes.

Remove Wash Cart

Step 13

Remove the cleaning cartridges when head wash finishes and "Remove Wash Cart" appears.

HeadWash

Step 14

When the wash cartridges are removed, the operation to discharge cleaning liquid remaining inside the printer begins.

Change Waste Ink

Step 15

Remove the waste box that was used for cleaning and insert another new waste liquid box from the cleaning set.

Change Tank? No

Step 16

Select "Yes" by pressing the **[Menu Up]** key or **[Menu Down]** key.

Change Tank? Yes

Step 17

Press the **[ENTER]** key to confirm waste box replaced.

[6 5 Y M C K] No Charge

Step 18

Ink filling begins automatically when ink cartridges are installed.

Utility Settings: Head Wash

P l o t O K

Step 19

When ink filling is finished, the permanent display is restored.

Utility Settings: Data Order

Plot OK

* Menu * Command >

* Menu * Utility >

Error Display : Off

Data Order : 5 Lc 6 Lm

Data Order : 5 Lm 6 Lc

Error Display : Off

* Menu * Utility >

Plot OK

Step 1

If a menu is to be specified, press the **[MENU]** key.

Step 2

The key contents change to the purple section on the outside of the control panel.

Bring up the "Utility" menu by pressing the **[Menu Up]** key or **[Menu Down]** key.

Step 3

Press the **[ENTER]** key to confirm the "Utility" menu and shift to the next level.

Step 4

Bring up the "Data Order" item by pressing either **[Menu Up]** key or **[Menu Down]** key.

Step 5

Press the **[VALUE +]** or **[VALUE -]** key to select to "5Lc6Lm" or "5Lm6Lc".

Step 6

Press the **[ENTER]** key to confirm "Data Order" and shift to the next item to be set.

Step 7

If no other items are to be changed, press the **[Back]** key.

Step 8

Do not press any other keys for 3 minutes or press **[Back]** key again.

Step 9

The permanent display is restored.

Accuracy Adjustment Plot

P a t t e r n A : 4

Step 3

Look at pattern A on your print. Use the [VALUE +] and [VALUE -] keys to enter the number of a line with no off-set.

P a t t e r n A : 6

Step 4

Press [ENTER] key to confirm the value specified for pattern A.

P a t t e r n B : 4

Step 5

Look at pattern B on your print. Use the [VALUE +] and [VALUE -] keys to enter the number of a line with no off-set.

P a t t e r n B : 5

Step 6

Press [ENTER] key to confirm the value specified for pattern B.

P a t t e r n C : 4

Step 7

Look at pattern C on your print. Use the [VALUE +] and [VALUE -] keys to enter the number of a line with no off-set.

P a t t e r n C : 4

Step 8

Press [ENTER] key to confirm the value specified for pattern C.

P l o t O K

Step 9

Permanent display is restored.

Accuracy Adjustment Plot



NOTE

- The accuracy adjustment adjusts the left head repeatability printing position (pattern A) and the right head repeatability printing position (Pattern B) as well as aligning the printing position between the right head and the left head (pattern C).
- Pressing the [ENTER] key will confirm all adjustments from pattern A to pattern C. No adjustments will be made if the [ENTER] key is pressed before the end.
- If the cancel key is pressed during fine adjustment printing or it is interrupted by raising the hold lever, there will be no input display screen.

Installation of Options

In this section we explain about installing the optional network interface board and extended memory.

Network Interface Board Installation

PAGE 80

Memory Extension

PAGE 82

Network Interface Board Installation

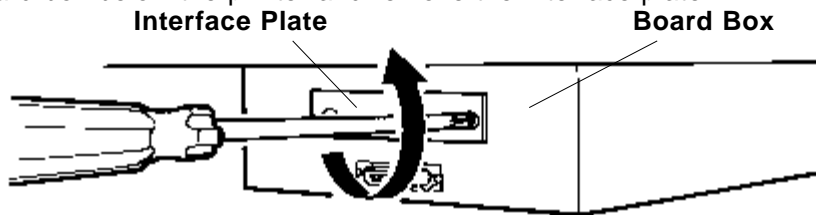
The standard interface for the RJ-6000 Series printer has a parallel Centronics compatible interface as standard equipment. The network interface board, RJ-ETH13TX, for connection to EtherNet is also available as an option. The following procedure explains how to install the network interface board.

CAUTION

- The power to the RJ-6000 Series must be switched off and the power cord removed before the network interface board is installed.

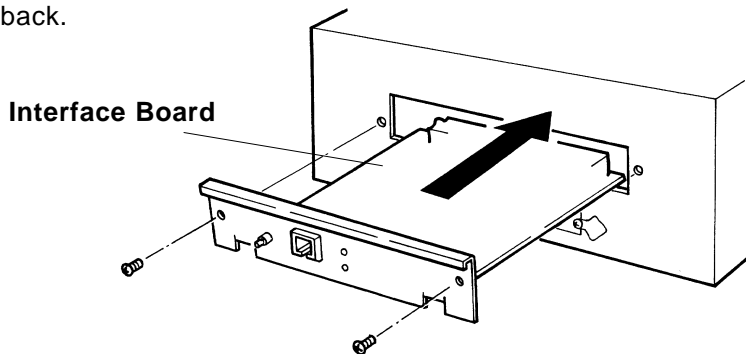
Step 1

Undo the screws holding the silver colored interface plate on the left side of the board box below the printer and remove the interface plate.



Step 2

Insert the optional interface board into the slot as shown in the diagram. When the interface board has reached the back, push it again to ensure it is pushed fully back.



CAUTION

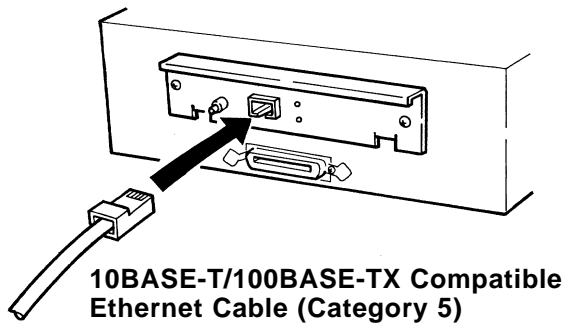
- Electronic components are susceptible to damage by static electricity. Remove static charge from your clothes and body by touching your hands to the board box before you touch the network interface board.

Step 3

Fasten the two interface mounting screws.

Step 4

Connect a Category 5 Ethernet cable compatible with both 10BASE-T and 100BASE-TX to the connector on the interface board. Connect the other end of the Ethernet cable to the 10BASE-T or 100BASE-TX network hub.



Memory Extension

Standard internal memory for the RJ-6000 Series printer is 8 MB + 32 MB (slot 1) but this can be extended by fitting an additional 16 MB (SIM16M) or 32 MB (SIM32M) memory chips (sold separately).

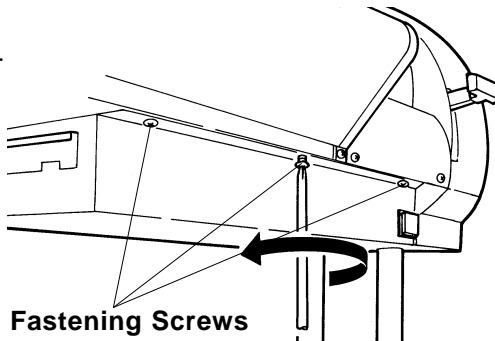
The following procedure explains how to install extended memory.

CAUTION

- The power to the printer must be switched off and the power cord removed before the additional memory is installed.

Step 1

Remove roll media and scroller from the printer. Undo the three screws holding the board box on the printer main unit and carefully lower the board box. Remove two thumb screws to reveal the memory slot.



Board Box Fastening Screws

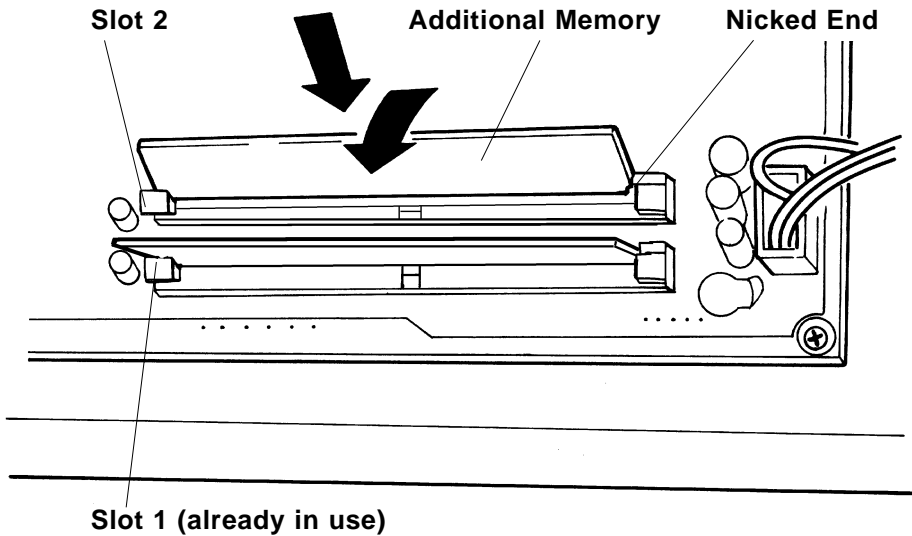
CAUTION

- Electronic components are susceptible to damage by static electricity. Remove static charge from your clothes and body by touching your hands to the board box before you touch the additional memory chip.
- Dust in the slot may cause damage. Blow it out with an air duster before installing the additional memory.

Step 2

The optional memory chip to be added should be inserted in slot 2 on the lower right of the board with the nicked end of the chip at the right hand end of the slot.

Memory Extension



Step 3

Return the board box to its original position.



Details of the Display

This section explains about displays while the printer is working, messages when an error has occurred and how to deal with them.

Printer Status Display	PAGE 86
Messaged Errors and Countermeasures	PAGE 88
Data error Display and Countermeasures	PAGE 91
Command Error Display and Countermeasures	PAGE 92
Errors Rrequiring a Restart	PAGE 94

Printer Status Display

The normal operating condition of the printer is displayed.

Normal (when media is loaded)

P l o t O K

Data can be received and printed.

Normal (when media is not loaded)

P a p e r E n d

Media is not loaded or printing on a cut sheet is finished.

Data can be received but can not be printed unless media is loaded.

(See Basic Edition page 37)

Lever up

L e v e r U p

The hold lever is up. Put the hold lever down.

Cover open

C o v e r O p e n

The cover is open. Close the cover.

Cover open, lever up

L e v e r a n d C o v e r

The cover is open and the hold lever is up. Close the cover and lower the hold lever.

Data reception in progress

R e c e i v e [P o r t 1]

Data is being received. Printing will begin after the data has been processed.

Converting the data

C o n v e r t [P o r t 1]

Data is being processed. Printing will begin after the data has been processed.

Printing in progress

P r i n t i n g

Processed data is being printed.

Printer Status Display

Cleaning in progress

C l e a n i n g

The print heads are being cleaned.
Please wait.

(See Basic Edition page 63)

Media initialization in progress

C o n f i r m P a p e r K i n d

Media is being initialized. Please wait.

Message Errors and Countermeasures

A messaged error impedes the operation of the printer. Sometimes an error is displayed and printing continues or printing may cease when an error is displayed. If printing stops, it will be reprinted when the cause of the error is removed.

When a messaged error occurs, the beeper will beep twice unless there is insufficient memory.

Capping position not set

No Cap Position

The capping position is not recorded. The error will not be cancelled until the capping position is adjusted. Contact your local Mutoh dealer regarding capping position adjustment.

Media recognition error

Undefined Paper

An error has occurred during media detection. Either media smaller than the minimum size or larger than the maximum size was detected or the hold lever was up or a media jam occurred during media detection. This error also occurs if the media is not loaded in the correct position. Put the hold lever up and reload the media.

(See Basic Edition page 38, 41)

Media skew error

Paper Slant

Roll media has slipped obliquely. Reload the media.

(See Basic Edition page 41)

Media replacement error

Paper Cut Error

Roll media cutting failed. Cut the media, raise the hold lever and reload the media.

(See Basic Edition page 41)

Message Errors and Countermeasures

Media replacement request

Remove Media

Media is loaded but the next process has failed. The lever was raised during printing or cutting and lowered again without the media having been removed. Remove the media.

Roll media end

End of Roll

The end of the media was detected when roll media was initialized. Replace the roll media.

(See Basic Edition page 41)

No waste box

No Waste - Ink Tank

The waste box is not installed. Install a waste box containing a waste liquid absorbent sheet.

(See Basic Edition page 84)

Check waste box

Check Waste Ink

The waste box is becoming full. Obtain a waste box from supplies and have it ready for replacement.

(See Basic Edition page 84)

Waste box full

Full Waste Ink Tank

The waste box is full of waste liquid. Take out the waste box and replace the waste liquid absorbent sheet. Install a waste box that contains a waste liquid absorbent sheet.

(See Basic Edition page 84)

Request to insert ink cartridges of the same type

Ink Change

The type of ink cartridges was changed (from dye to pigment or from pigment to dye) during cleaning or ink filling. Replace with original cartridge type.

(See Basic Edition page 80)

Message Errors and Countermeasures

Request to insert exclusive or same type ink cartridges

D i f f e r I n k K i n d

Either ink cartridges other than the exclusive type or mixed dye and pigment ink cartridges have been installed. Make sure exclusive ink cartridges of the same type (all dye or all pigment) are loaded.

(See Basic Edition page 80)

Low ink warning

[6 5 Y M C K] N e a r E n d

The remaining ink is low. Prepare a new ink cartridge of the color that is displayed.

(See Basic Edition page 79)

No ink

[6 5 Y M C K] I n k E n d

The ink cartridge of the color that is displayed is empty. Replace with a new cartridge.

(See Basic Edition page 79)

1 to 5 ink cartridges missing

[6 5 Y M C] C a r t r i d g e

The ink cartridge of the color that is displayed is not installed. Insert a cartridge.

(See Basic Edition page 79)

All ink cartridges missing

C a r t r i d g e N o n e

No ink cartridges are installed. Insert cartridges.

(See Basic Edition page 79)

Insufficient memory

N o M e m o r y S I M M 1 2 M B

There was insufficient memory during data processing or printing. In this case the beeper gives three long beeps. Printing continues but the result can not be guaranteed. Since the required memory size is displayed, you should consider extending the memory.

(See page 82)

Data Error Display and Countermeasures

Data errors occur when there is a fault in communication between the printer and the computer. There are three types of data error:

- Errors related to communication conditions
- Errors caused by faulty handshaking
- Escape sequence command format errors

The beeper gives three long beeps when a data error occurs.



NOTE

- The command that caused the error may be shown enclosed in brackets in the data error message.

Network board detection error

N e t w . C h e c k E r r

A board other than a prescribed network interface board has been installed. Replace with a prescribed network interface board.

(See page 80)

Network board initialization error

N e t w . I n i t . E r r

An error occurred when the network interface board was installed. The network interface board may be faulty. Replace the network interface board.

(See page 80)

Command Error Display and Countermeasures

Command errors occur during the processing of command data received from the computer.

If the printer's command set-up differs from the type of command data sent from the computer

If there is a grammatical error in the command data sent from the computer

The beeper gives three long beeps when a data error occurs.



NOTE

- A command error may occur together with a data error (related to error code I15). In this case the communication settings should be checked.
- The command that caused the error may be shown enclosed in brackets in the data error message.

Undefined command error

```
MH01 Error [ ]
```

A command that is undefined by MH-GL command mode was analyzed.
(See pages 22, 33)

Parameter error

```
MH02 Error [ ]
```

An invalid number of parameters follow the command.
(See pages 22, 33)

Numerical value error

```
MH03 Error [ ]
```

An invalid parameter follows the command.
(See pages 22, 33)

Undefined character set

```
MH04 Error [ ]
```

A non-existent character set has been selected.
(See pages 22, 33)

Command Error Display and Countermeasures

Position overflow

MH06 Error []

Buffer overflow

MH07 Error []

The polygon buffer or downloadable buffer has overflowed.

(See pages 22, 33)



NOTE

- In each case, first check that the command modes of the computer and printer are compatible. Refer to your computer manual for computer settings.

Errors Requiring a Restart

Errors requiring a restart are fatal to the operation of the printer. The power to the printer must be switched off and the printer must be restarted. They are caused by an obstruction to the printer drive or damage related to a printer board.

When an error requiring restart occurs, the printer behaves as follows.

- (a) Drive power is shut down automatically.
- (b) All LEDs on the control panel flash and the beeper sounds continuously. The beeper will not stop until a key is pressed.
- (c) An error code and error name are displayed in the liquid crystal display section.

Errors Requiring Restart that Involve the Mechanical System

If an error has occurred in the mechanical system, remove the foreign object, paper scraps, etc. that are causing the obstruction and restart the printer.

Feed motor error

E 0 6 5 E r r X M o t o r

An error with the media feed motor has occurred.

Carriage motor error

E 0 6 6 E r r Y M o t o r

An error with the carriage motor has occurred.

Feed encoder error

E 0 6 9 E r r X e n c o d e r

An error with the media feed encoder has occurred.

Carriage encoder error

E 0 7 0 E r r Y e n c o d e r

An error with the carriage encoder has occurred.

Feed imposition timeout

E 0 7 1 E r r X t i m e o u t

An error with the media feed imposition has occurred.

Carriage imposition timeout

E 0 7 2 E r r Y t i m e o u t

An error with the carriage imposition has occurred.

Errors Requiring a Restart

Errors Requiring Restart that Involve the Mechanical System

Feed motor overcurrent

E 0 7 3 E r r X c u r r e n t

An error with the media feed motor has occurred.

Carriage motor overcurrent

E 0 7 4 E r r Y c u r r e n t

An error with the carriage motor has occurred.



NOTE

- When an error occurs in the XY drive systems, check for an obstruction in the XY drive systems. If there is an obstruction, remove it before the power is switched on again.

Sensor detection error

E 0 7 5 E r r S e n s o r

A sensor can not be detected.

NVRAM error

E 1 2 9 E r r N V R A M

An error has occurred when writing to the flash RAM.

Sum-check error

E 0 1 6 C P U E r r [3 5]

A flash RAM sum-check error has occurred.



NOTE

- In the case of a Sensor detection error, NVRAM error or Sum-check error, switch on the power again. If the error persists, contact your MUTOH local dealer.

Errors Requiring a Restart

Errors Requiring Restart that Involve the CPU System

Errors Requiring Restart that Involve the CPU System

Standard DRAM error

E 0 0 1 E r r D R A M

An access error has occurred in standard DRAM.

Optional DRAM error

E 0 0 2 E r r O p t . D R A M

An access error has occurred in extended DRAM (option: sold separately).

Interrupt exception error

E 0 1 6 C P U E r r [0 0]

An interrupt exception error has occurred in the CPU.

Command environment exception error

E 0 1 6 C P U E r r [0 2]

A command environment exception error has occurred in the CPU.

Data environment exception error

E 0 1 6 C P U E r r [0 3]

A data environment exception error has occurred in the CPU.

Address exception error

E 0 1 6 C P U E r r [0 4]

An address exception error has occurred in the CPU.

Address exception error

E 0 1 6 C P U E r r [0 5]

An address exception error has occurred in the CPU.

Bus exception error

E 0 1 6 C P U E r r [0 6]

A bus exception error has occurred in the CPU.

Bus exception error

E 0 1 6 C P U E r r [0 7]

A bus exception error has occurred in the CPU.

Errors Requiring a Restart

Errors Requiring Restart that Involve the CPU System

System call exception error

E 0 1 6 C P U E r r [0 8]

A system call exception error has occurred in the CPU.

Break point exception error

E 0 1 6 C P U E r r [0 9]

A break point exception error has occurred in the CPU.

Reserved command exception error

E 0 1 6 C P U E r r [1 0]

A reserved command exception error has occurred in the CPU.

Unusable co-processor exception error

E 0 1 6 C P U E r r [1 1]

An unusable co-processor exception error has occurred in the CPU.

Operation overflow exception error

E 0 1 6 C P U E r r [1 2]

An operation overflow exception error has occurred in the CPU.

Trap exception error

E 0 1 6 C P U E r r [1 3]

A trap exception error has occurred in the CPU.

Watch exception error

E 0 1 6 C P U E r r [2 2]

A watch exception error has occurred in the CPU.

Watchdog timeout error

E 0 1 6 C P U E r r [3 2]

A watchdog timeout error has occurred in the CPU.

Abort error

E 0 1 6 C P U E r r [3 3]

An abort error has occurred in the CPU.



NOTE

- In each case, switch off, wait 10 seconds and switch on.



Contents

Read this if you can't find an item you want to look up.

Control Panel and Menus

This outlines the control panel for menu settings and explains menu levels.

When You Want to Do This

When you want to do something, this explains which function to use and provides page numbers for easier manual look-up.

Explanation of Functions

Details of each function are explained and manual page numbers are provided for easier look-up.

How to Set Parameters

Detailed explanation of setting parameters in each menu.

Installation of Options

This explains how to fit the optional network interface board and extended memory.

Details of the Display

This section explains displays for normal operation as well as error messages and how to handle them.

MUTOH

MUTOH INDUSTRIES LTD.
Tel.:81-(0)3-54867145
Fax:81-(0)3-54867163
E-mail:ibd@mutoh.co.jp
<http://www.mutoh.co.jp>

MUTOH EUROPE N.V.
Tel.:32-(0)59-807908
Fax:32-(0)59-807117
E-mail:mutoh@mutoh.be
<http://www.mutoh.be>

MUTOH DEUTSCHLAND GmbH.
Tel.:49-(0)2159 913430
Fax:49-(0)2159 913456
E-mail:Mutoh-Sales@t-online.de

Free Manuals Download Website

<http://myh66.com>

<http://usermanuals.us>

<http://www.somanuals.com>

<http://www.4manuals.cc>

<http://www.manual-lib.com>

<http://www.404manual.com>

<http://www.luxmanual.com>

<http://aubethermostatmanual.com>

Golf course search by state

<http://golfingnear.com>

Email search by domain

<http://emailbydomain.com>

Auto manuals search

<http://auto.somanuals.com>

TV manuals search

<http://tv.somanuals.com>