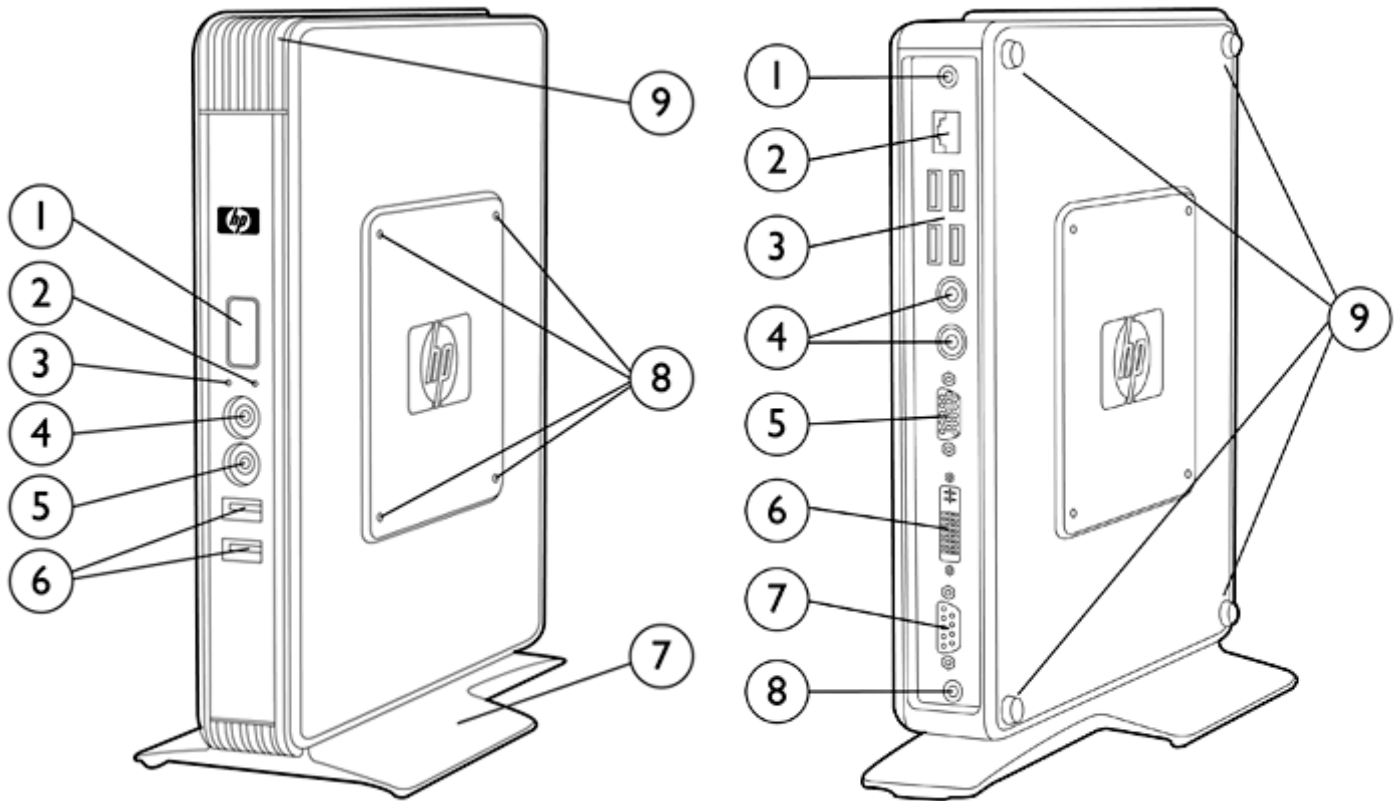


Overview

HP Compaq t5730 Thin Client



Front

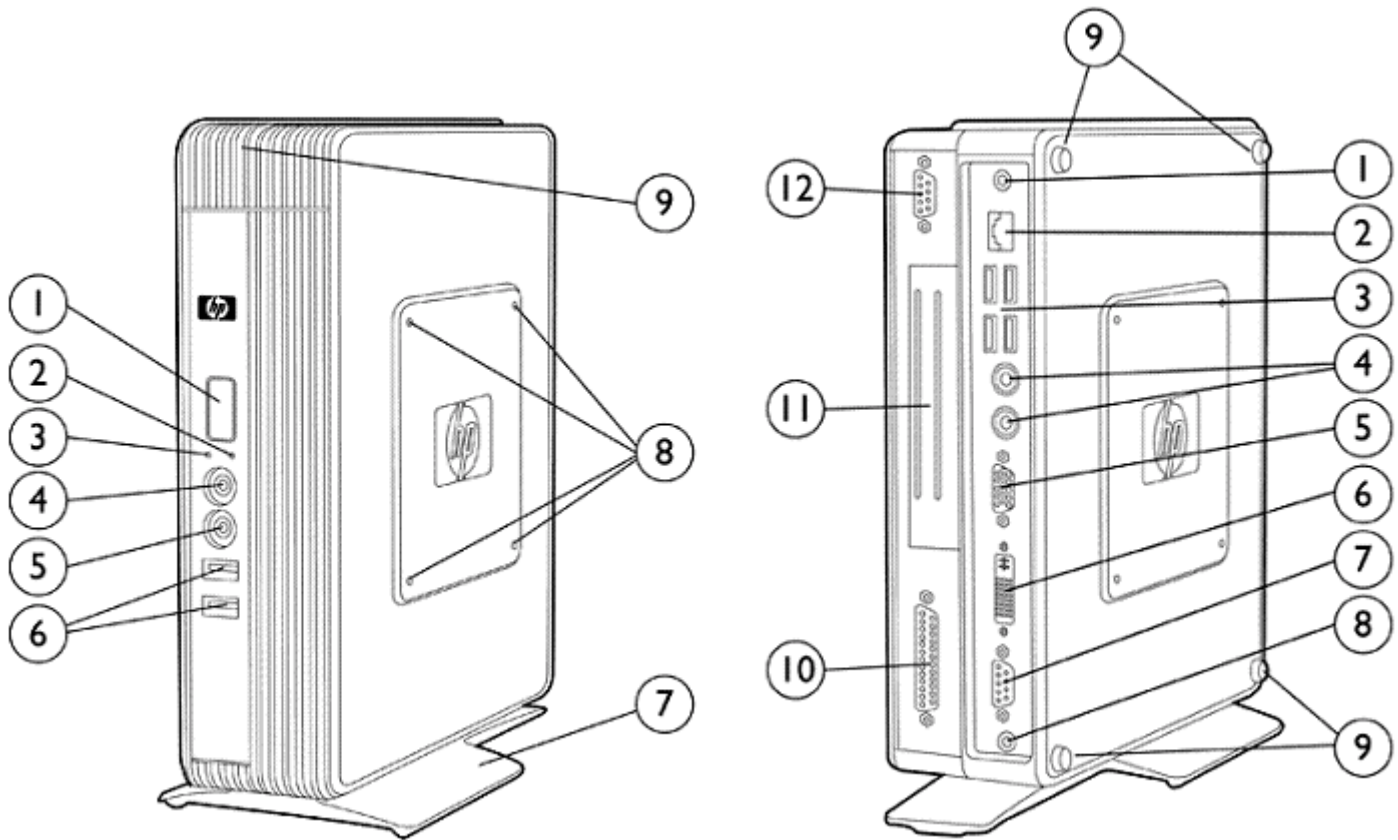
Back

1. Power button
2. Power on indicator
3. Flash activity indicator
4. Audio connector (headphone/speaker out)
5. Audio connector (mic in)
6. USB connectors (two)
7. Removable stand for vertical orientation
8. Mounting points for HP Quick Release
9. Secure USB compartment

1. Audio out
2. Ethernet RJ-45 connector
3. USB connectors (four)
4. PS/2 connectors (two)
5. VGA monitor connector
6. DVI-D monitor connector
7. Serial connector
8. +12V DC power input
9. Feet for horizontal orientation (four)

Overview

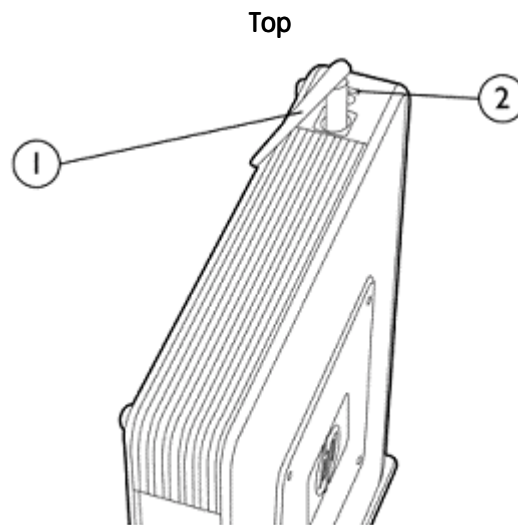
with optional t5730/t5735 Expansion Module Kit



1. Power button
2. Power on indicator
3. Flash activity indicator
4. Audio connector (headphone/speaker out)
5. Audio connector (mic in)
6. USB connectors (two)
7. Removable stand for vertical orientation
8. Mounting points for HP Quick Release
9. Secure USB compartment

1. Audio out
2. Ethernet RJ-45 connector
3. USB connectors (four)
4. PS/2 connectors (two)
5. VGA monitor connector
6. DVI-D monitor connector
7. Serial connector
8. +12V DC power input
9. Feet for horizontal orientation (four)
10. Parallel connector
11. PCI/PCIe slot access
12. Second serial connector

Overview



1. Wireless antenna (option)
2. Cable lock slot

At A Glance

- AMD Sempron 2100+ processor for leading performance
- 1 GB flash memory provides ample storage for drivers and applications
- Up to 1 GB system memory (32 MB reserved for graphics memory)
- XP Embedded OS with support for local applications including custom applications
- Enhanced Write Filter and HP Sygate Security Agent for enhanced data security
- Flexibility in choice of options and peripherals
- Administrator-enabled customization
- Active Directory compliant access device
- Windows XP security feature support (apps/HW)
- Powerful ATI Radeon X1250 graphics supporting a broad range of HP monitors including widescreens and touch screens
- Built in dual monitor support (VGA and DVI-D native)
- Integrated wireless technology (select models)
- Optional Expansion Module with PCI and PCI Express x1 for installing a wide range of devices (includes a parallel and second serial port)
- Secure USB compartment is ideal for protecting USB wireless and USB Flash devices
- Legacy support includes parallel (via Expansion Module), serial, and PS/2 connections, along with eight USB 2.0 ports
- Protected by Hewlett-Packard Services, including a limited three-year mail-in warranty (certain restrictions and exclusions apply)

Standard Features - Models

KD219AA#ABA (standard)	Processor	AMD Sempron 2100+
	Operating System	Microsoft Windows XP Embedded, Service Pack 2
	Flash Memory	1 GB
KD219AT#ABA (Smart Buy)	Memory	512 MB DDR-2 SODIMM NOTE: 32 MB reserved for graphics memory
	Graphics	ATI Radeon X1250 graphics
GY366AA#ABA (TAA compliant) ¹	Browser	Microsoft Internet Explorer 6.0
	Client Management Software	Altiris Deployment Solution (full license), HP Openview Client Configuration Manager (Basic Edition), and HP ThinState included with each thin client.
	Terminal Personalities	Standard
	Keyboard	USB or PS/2 Type of included keyboard (USB or PS/2) varies by region.
	Mouse	USB or PS/2 Type of included mouse (USB or PS/2) varies by region.

GY227AA#ABA (standard)	Processor	AMD Sempron 2100+
	Operating System	Microsoft Windows XP Embedded, Service Pack 2
	Flash Memory	1 GB
GY227AT#ABA (Smart Buy)	Memory	1 GB DDR-2 SODIMM NOTE: 32 MB reserved for graphics memory
	Graphics	ATI Radeon X1250 graphics
GY367AA#ABA (TAA compliant) ¹	Browser	Microsoft Internet Explorer 6.0
	Client Management Software	Altiris Deployment Solution (full license), HP Openview Client Configuration Manager (Basic Edition), and HP ThinState included with each thin client.
	Terminal Personalities	Standard
	Keyboard	USB or PS/2 Type of included keyboard (USB or PS/2) varies by region.
	Mouse	USB or PS/2 Type of included mouse (USB or PS/2) varies by region.

US and Canada GY228AA#ABA	Processor	AMD Sempron 2100+
	Operating System	Microsoft Windows XP Embedded, Service Pack 2
	Flash Memory	1 GB
GY228AT#ABA (Smart Buy)	Memory	512 MB DDR-2 SODIMM NOTE: 32 MB reserved for graphics memory
	Graphics	ATI Radeon X1250 graphics
KH995AA#ABA (TAA compliant) ¹	Integrated Wireless	Broadcom 4311BG 802.11 B/G WIFI adapter
	Browser	Microsoft Internet Explorer 6.0
	Client Management Software	Altiris Deployment Solution (full license), HP Openview Client Configuration Manager (basic edition), and HP ThinState included with

Standard Features - Models

	each thin client.
Terminal Personalities	Standard
Keyboard	USB or PS/2 Type of included keyboard (USB or PS/2) varies by region.
Mouse	USB or PS/2 Type of included mouse (USB or PS/2) varies by region.

¹Product complies with U.S. Trade Agreement (TAA). Available in U.S. only.

Options

		Part Number
Accessories	HP t5730/t5735 Expansion Module	GZ286AA
	HP Quick Release Kit	EM870AA
	HP/Kensington Cable Lock	PC766A
Communications ¹	Modem Serial – Zoom 3049 56K v.92 Ext. ²	3049-00-00
	Wireless PCI – Cisco Aironet PCI ²	AIR-PI21AG-A-K9
	Wireless USB – Belkin USB Wireless 802.11b/g ²	HP-4050
Input Devices	HP PS/2 Standard Keyboard	DT527A
	HP USB Standard Keyboard	DT528A
	HP USB Smartcard Keyboard	ED707AA
	HP PS/2 2-Button Optical Mouse	EY703AA
	HP USB 2-Button Optical Scroll Mouse	DC172B
Monitors ³	ELO Touch 1529L Flat Panel – USB/serial combo ^{2,4}	E926109
	HP L5006tm LCD Touchscreen – USB/serial combo	RB146AA
Graphics	Matrox EpicA TC4 ²	EPI-TC4P128LPAF
	Matrox EpicA TC2 ²	EPI-TC2P64LPAF
Memory	Apacer 2 GB Flash Module ²	AH430AA
Security	HP USB Smartcard Keyboard	ED707AA
	SCM USB Smart Card Reader SCR331 ²	904054
	HP/Kensington Cable Lock	PC766A
Storage	Apacer 2 GB Disk on Key (DOK) ²	AP-HHR2009D2G
	External USB 2.0 Multibay II Cradle	PA509A
	Multibay II DVD Drive (Does not support DVD play back)	PA849A
Care Packs ⁵	9x5 Next-Business-Day Advanced Exchange - 3 Years	331653-001;U4847E ⁶
	9x5 Next-Business-Day On-Site Coverage - 3 Years	331655-001;U4849E ⁶
	Hardware Installation	331686-001;U4865E

¹Wireless functionality is not supported for roaming environments. Thin client must be stationary for wireless device to properly function. A standard WLAN (Wi-Fi) infrastructure with wireless access points is required and is not included.

²Option and support is available directly from third party.

³For a complete list of monitors compatible with HP Compaq thin clients, it is important to cross-reference the supported video resolutions of the HP Compaq thin client to the supported resolutions of the monitor. Most HP monitors have one or more supported resolutions that match HP Compaq thin client products.

⁴Only serial is supported.

⁵Service levels and response times for HP Care Packs may vary depending on your geographic location. Restrictions and limitations apply. For details, visit www.hp.com/go/carepack.

⁶U4847E is available in all regions; U4849E is available in Americas and Asia-Pacific/Japan.



Technical Specifications

Possible Memory Configurations

Flash Memory	Memory Slot (DDR-2)
1 GB	512 MB
1 GB	1 GB

Processor	AMD Sempron 2100+		
Memory	Flash Memory	1 GB	
	System Memory	512 MB or 1 GB DDR-2 SODIMM NOTE: 32 MB reserved for graphics memory	
Graphics	ATI Radeon X1250 graphics with support for high-resolution monitors up to 2048 x 1536, or up to 32 bit color depth		
	Mode	Color depth	Refresh rate
	640 x 480	8/16/32bit	60,72,75,85
	800 x 600	8/16/32bit	60,70,72,75,85
	848x480	8/16/32bit	60,75,85
	1024x480	8/16/32bit	60
	1024 x 768	8/16/32bit	60,70,72,75,85
	1280x720	8/16/32bit	60,75,85
	1280x768	8/16/32bit	60
	1280 x 1024	8/16/32bit	60,70,75,85
	1360x768	8/16/32bit	60
	1368x768	8/16/32bit	60,75,85
	1400x1050	8/16/32bit	60
	1600 x 1200	8/16/32bit	60,75,85
	1680x1050	8/16/32bit	60,75
	1920x1080	8/16/32bit	60,75
1920 x 1200	8/16/32bit	60,75,85	
2048 x 1536	8/16/32bit	60,66,70,75,85	
Input/Output/ Peripheral Support	Keyboard	USB or PS/2 Keyboard included with every thin client. Type of included keyboard (USB or PS/2) varies by region.	
	Mouse	USB or PS/2 (both supported) Mouse included with every thin client. Type of included mouse (USB or PS/2) varies by region.	
	Printer	Local and/or network printers (RDP, ICA, LPD) as per the printer support statement.	
	Video	ATI Radeon X1250 graphics	
Audio	Output	Internal amplified speaker, 1/8-inch mini, full 16-bit stereo, 44-kHz sample rate.	
	Input	1/8-inch mini microphone	
Security	Security lock slot (cable lock sold separately) HP Sygate Security Agent		

Technical Specifications

	Support for Smart Card options
Terminal Server Protocols and Session	Citrix ICA 10.x and Microsoft RDP 5.2 for remote terminal services
Brokers	Terminal personalities standard HP PC Session Allocation Manager Software for the Consolidated Client Infrastructure Citrix Dynamic Desktop Initiative for Virtual Desktop Infrastructure
Networking	10/100/1000 Gigabit Ethernet (RJ-45) TCP/IP with DNS and DHCP Point-to-Point Protocol (PPP), Direct Connection through RS-232, Point-to-Point over Ethernet (PPPoE), Point-to-Point Tunneling Protocol (PPTP), Layer-2 Tunneling Protocol (L2TP), Wake on LAN (WOL), PXE Server Network Time Protocol (SNTP) Simple Network Management Protocol (SNMP)
I/O ports and connectors	Eight USB 2.0 ports (two in front, four in rear, two in secure USB compartment), 1 VGA, 1 DVI-D, 2 PS/2, 1 serial, 1 RJ-45, and 1 optional Expansion Module with PCI and PCIe x1 including 1 parallel and second serial port
Resident Operating System	Microsoft Windows XP Embedded, Service Pack 2
Server OS Compatibility/Support	Citrix Presentation Server (up to 4.5) Citrix Metaframe Presentation Server 3.0, Citrix Metaframe XP Presentation Server Citrix Metaframe 1.x Windows 2000/2003 Server families, Windows 2000/2003 Server Terminal Services Windows 2000 Advanced Server, Windows 2000 Advance Server Terminal Services Microsoft® Windows® NT 4.0 Server, Windows NT 4.0 Terminal Server Edition VMware Virtual Desktop Infrastructure using RDP
Software Included	Microsoft Windows XP Embedded Microsoft Internet Explorer 6.0 HP Sygate Security Agent Altiris Deployment Solution (full client license). Altiris Deployment Solution 6.5 (management console) available as free download from Altiris at: www.altiris.com/hptc HP ThinState for image capture and redeploy Terminal emulation software, Citrix ICA, and Microsoft RDP Windows Media Player 9 Other software available as add-ons (see www.hp.com/support for latest list of available add-ons)
Languages (MUI)	English, French, German, Spanish, Dutch, Norwegian, Korean, Simplified Chinese, Traditional Chinese, and Japanese
Dimensions H x W x D (approximate)	Without stand 10.0 x 1.8 x 8.47 in (254.5 x 45.7 x 215.14 mm) With stand 10.5 x 1.8 x 8.47 in (266.7 x 45.7 x 215.14 mm) With Expansion Module 10.0 x 3.0 x 8.47 in (254.5 x 76.2 x 215.14 mm)
Weight (approximate)	With stand 3.5 lb (1.6 kg) With Expansion Module 4.8 lb (2.2 kg)
Environmental	Temperature range on 50° to 104° F (10 to 40° C)

Technical Specifications

	Temperature range on when using the Quick Release with a flat panel monitor or PCI expander	50° to 104° F (10 to 40° C)
	Temperature range off	-22° to 140° F (-30 to 60° C)
	Humidity	20% to 80% condensing 10% to 95% non-condensing
	Power¹	Worldwide auto-sensing 100-240 VAC, 50-60 Hz energy-saving automatic power-down, surge-tolerant, 50-watt power supply.
Regulatory Compliance	Ergonomics	German ZH1/618; EN29241-3, approved
	Safety	UL 1950, CSA 950; TÜV-GS (EN60 950) approved
	RF Interference	FCC Class B; CE Mark; EN55022B; VCCI
Warranty	Three-year limited hardware warranty.	

NOTE: Certain restrictions apply. Consult the [HP Customer Support Center](#) for details.

¹The actual power consumption at your location could vary and is dependent on many factors including but not limited to software load on the thin client, attached peripherals, and environmental factors.

Emulations	Emulation	Terminal ID
	ADDS A2	
	AIXTerm	
	ANSI BBS	
	AT 386	
	ATT4410	
	DG 410/412	
	HP 700-92/96	70092, 70094, 70096, 2392A, 2622A
	HZ1500	
	IBM3151	Mod11, Mod31
	IBM3270	3278-2 (24x80), 3278-3 (32x80), 3278-4 (43x80), 3278-5 (27x132), 3278-2-E (24x80), 3278-3-E (32x80), 3278-4-E (43x80), 3278-5-E (27x132), 3279-2 (24x80), 3279-3 (32x80), 3279-4 (43x80), 3279-5 (27x132), 3287-1
	IBM5250	5291-1, 5292-2, 5251-11, 3179-2, 3196-A1, 3180-2, 3477-FC (27x132), 3477-FG (24x80), 3486-BA, 3487-HA, 3487-HC, 3812-1
	SCO Console	
	Stratus V102	
	TA6530	
	TVI910	
	TVI920	
	TVI925	
	TVI950	
	TVI955	
	VT52, VT100, VT100+, VT500 (7- or 8-bit)	VT100, VT101, VT102, VT125, VT131, VT132, M2200, VT220, VT240, VT320, VT340, VT420, VT510, VT520, VT525
	VT HP220,	VT100, VT101, VT102, VT125, VT220, VT240, VT320, VT340,

Technical Specifications

VT UTF8	VT420, VT131, VT132, M2200, VT510, VT520, VT525
VT PCTerm	
Wyse PCTerm	
WY50	
WY50+	
Y60	

Environment-friendly Products and Approach

RoHS Compliance

Hewlett-Packard is committed to compliance with all applicable environmental laws and regulations, including the European Union Restriction of Hazardous Substances (RoHS) Directive. HP's goal is to exceed compliance obligations by meeting the requirements of the RoHS Directive on a worldwide basis. From July 1, 2006, RoHS substances will be virtually eliminated (virtually = to levels below legal limits) for all HP electronic products subject to the RoHS Directive, except where it is widely recognized that there is no technically feasible alternative (as indicated by an exemption under the EU RoHS Directive).

Material Usage

This product does not contain any of the following substances in excess of regulatory limits (refer to the HP General Specification for the Environment at:

http://www.hp.com/hpinfo/globalcitizenship/environment/supplychain/gen_specifications.html):

- Asbestos
- Certain Azo Colorants
- Certain Brominated Flame Retardants – may not be used as flame retardants in plastics
- Cadmium
- Chlorinated Hydrocarbons
- Chlorinated Paraffins
- Formaldehyde
- Halogenated Diphenyl Methanes
- Lead carbonates and sulfates
- Lead and Lead compounds
- Mercuric Oxide Batteries
- Nickel - finishes must not be used on the external surface designed to be frequently handled or carried by the user.
- Ozone Depleting Substances
- Polybrominated Biphenyls (PBBs)
- Polybrominated Biphenyl Ethers (PBBEs)
- Polybrominated Biphenyl Oxides (PBBOs)
- Polychlorinated Biphenyl (PCB)
- Polychlorinated Terphenyls (PCT)
- Polyvinyl Chloride (PVC) – except for wires and cables, and certain retail packaging has been voluntarily removed from most applications.
- Radioactive Substances
- Tributyl Tin (TBT), Triphenyl Tin (TPT), Tributyl Tin Oxide (TBTO)

Packaging

HP follows these guidelines to decrease the environmental impact of



Technical Specifications

product packaging:

- Eliminate the use of heavy metals such as lead, chromium, mercury and cadmium in packaging materials.
- Eliminate the use of ozone-depleting substances (ODS) in packaging materials.
- Design packaging materials for ease of disassembly.
- Maximize the use of post-consumer recycled content materials in packaging materials.
- Use readily recyclable packaging materials such as paper and corrugated materials.
- Reduce size and weight of packages to improve transportation fuel efficiency.
- Plastic packaging materials are marked according to ISO 11469 and DIN 6120 standards.

End-of-life Management and Recycling

Hewlett-Packard offers end-of-life HP product return and recycling programs in many geographic areas. To recycle your product, please go to:

<http://www.hp.com/recycle> or contact your nearest HP sales office. Products returned to HP will be recycled, recovered or disposed of in a responsible manner.

The EU WEEE directive (2002/95/EC) requires manufacturers to provide treatment information for each product type for use by treatment facilities. This information (product disassembly instructions) is posted on the Hewlett Packard web site at: <http://www.hp.com/go/recyclers>.

These instructions may be used by recyclers and other WEEE treatment facilities as well as HP OEM customers who integrate and re-sell HP equipment.

Hewlett-Packard Corporate Environmental Information

For more information about HP's commitment to the environment: [link to new HP white paper now in progress]

Global Citizenship Report:

<http://www.hp.com/hpinfo/globalcitizenship/gcreport/index.html>

Eco-label certifications:

<http://www.hp.com/hpinfo/globalcitizenship/environment/productdesign/ecolabels.html>

ISO 14001 certificates:

<http://www.hp.com/hpinfo/globalcitizenship/environment/operations/envmanagement.html>

© 2007 Hewlett-Packard Development Company, L.P.

Microsoft, Windows, and Windows NT are trademarks or registered trademarks of Microsoft Corporation in the United States and other countries. AMD and Geode are trademarks of Advanced Micro Devices, Inc.

The information contained herein is subject to change without notice and is provided "as is" without warranty of any kind.



Technical Specifications

The warranties for HP products and services are set forth in the express limited warranty statements accompanying such products and services. Nothing herein should be construed as constituting an additional warranty. HP shall not be liable for technical or editorial errors or omissions contained herein.

Free Manuals Download Website

<http://myh66.com>

<http://usermanuals.us>

<http://www.somanuals.com>

<http://www.4manuals.cc>

<http://www.manual-lib.com>

<http://www.404manual.com>

<http://www.luxmanual.com>

<http://aubethermostatmanual.com>

Golf course search by state

<http://golfingnear.com>

Email search by domain

<http://emailbydomain.com>

Auto manuals search

<http://auto.somanuals.com>

TV manuals search

<http://tv.somanuals.com>